



## *Yeoman CL* **Free Standing Stove**

**Models:** YM-CL3MF / YM-CL5W / YM-CL5MF / YM-CL8W / YM-CL8MF

This design is protected under Registered Community Design no's. 001202600-0004 / 001202600-0005 / 001202600-0006

# **Instructions for Use, Installation and Servicing**

**For use in GB & IE (Great Britain and Republic of Ireland).**



This appliance has been certified for use in countries other than those stated. To install this appliance in these countries, it is essential to obtain the translated instructions and in some cases the appliance will require modification. Contact Stovax for further information.

### **IMPORTANT**

**This appliance will become hot whilst in operation, it is therefore recommended that a suitable guard should be used for the protection of young children, the elderly or infirm. Do not attempt to burn rubbish in this appliance.**

**Please read these Instructions carefully before installation or use.**

**Keep them in a safe place for future reference and when servicing the fire.**

**The commissioning sheet found on page 3 of these instructions should be completed by the Installer.**

## COVERING THE FOLLOWING MODELS:

MODELS: YM-CL3MF / YM-CL5W / YM-CL5MF / YM-CL8W / YM-CL8MF

### APPLIANCE COMMISSIONING CHECKLIST 3

### USER INSTRUCTIONS 4

General Points	4
Using the Appliance for the first time	5
Recommended Fuels	5
Lighting the Appliance	6
Running the Appliance	7
Burning Tips	8
Ash Removal	9
Extended Burning	9
Over-Firing	9
Chimney Fire	9
General Cleaning	9
Cleaning Glass	10
Chimney Sweeping	10
Care of Stove	10
Seasonal Use	10
Troubleshooting Tips	11
Smoke Control Kit	11

### INSTALLATION INSTRUCTIONS

### TECHNICAL 12

Technical Specifications	12
Standard Features	12
Packing List	12
Dimensions	13

### SITE REQUIREMENTS 14

Flue & Chimney	14
Flue Exit Positions	15
Hearth Dimensions	15
Walls Next to Hearth	16

### PRE-INSTALLATION 17

Flue	17
Ventilation	17
Fitting Appliances on a Boat	18

### INSTALLATION 19

Legal Requirements	19
Installing the Appliance	19
Top Flue Installation	19
Rear Flue Installation	20
Removal of Log Guard	20
Fitting & Removal of Firebricks	21
Fitting & Removal of Baffle	21
Removal of the Riddling Mechanism	21
Hearth Fixing	22
Fitting Cast Top	23
CO Alarm	23

### COMMISSIONING 24

### MAINTENANCE & SERVICING 25

Annual Service	25
Removal of Log Guard	26
Removal of Firebricks	26
Removal of Baffle	26
Fitting a New Glass Door	26
Fitting a New Door Seal	27
Adjusting Door Catches & Hinges	28

### SPARES LIST 29

### SERVICE RECORDS 32

### EC DECLARATION OF CONFORMITY 33



This appliance has been approved by HETAS Ltd.

#### WARRANTY

Your Stovax retailer provides you with a Two Year Warranty for your new product. However, this specifically excludes naturally wearing parts or 'consumables' and the use of unauthorised fuels.

Some Stovax products will also qualify for a Five Year Warranty on cast iron parts such as cast iron carcasses and cast iron doors of steel bodied stoves. Again, this excludes naturally wearing cast iron parts.

For these extended warranties to be valid your stove must have been installed in accordance with the manufacturer's instructions and the second and subsequent year's warranties are dependant on the appliance being serviced within 12 months of installation by an appropriately qualified engineer and annually thereafter.

Please check the Warranty Statement on the Stovax web-site for up-to-date list of conditions.

# APPLIANCE COMMISSIONING CHECKLIST

To assist us in any guarantee claim please complete the following information:-

## Retailer appliance was purchased from

Name: .....

Address: .....

.....

Telephone number: .....

## Essential Information - MUST be completed

Date installed: .....

Model Description: .....

Serial number: .....

## Installation Engineer

Company name: .....

Address: .....

.....

Telephone number: .....

## Commissioning Checks (to be completed and signed)

Is flue system correct for the appliance      YES       NO

Flue swept and soundness test complete      YES       NO

Smoke test completed on installed appliance      YES       NO

Spillage test completed      YES       NO

Use of appliance and operation of controls explained      YES       NO

Instruction book handed to customer      YES       NO

Signature: .....

Print name: .....

# USER INSTRUCTIONS

## 1. GENERAL POINTS

1.1 Before use of this appliance please read these instructions fully.

The appliance must be fitted by a registered installer\*, or approved by your local building control officer.

1.2 All local regulations, including those referring to national and European Standards need to be complied with when installing the appliance.

1.3 Only use for domestic heating in accordance with these operating instructions.

1.4 You must burn only approved fuels. Do not use with liquid fuels or as an incinerator.

1.5 Appliance surfaces become very hot when in use. Use a suitable fireguard if young children, elderly or infirm persons are present. Stovax offer firescreens, sparkguards and hearthgate systems for protection‡. Your Yeoman retailer can advise you about these products.

1.6 Do not place photographs, TV's, paintings, porcelain or other combustible items on the wall or near the appliance. Exposure to hot temperatures will cause damage.

1.7 Extractor fans or cooker hoods must not be placed in the same room or space as this can cause appliance to emit fumes into the room.

1.8 Do not obstruct inside or outside ventilation required for the safe use of this appliance.

1.9 Do not make unauthorised changes to the appliance.

1.10 The chimney must be swept at least once a year (see *User Instructions, Section 13*).

1.11 Do not connect, or share, the same flue or chimney system with another appliance.

1.12 This appliance is designed to be used with the doors shut.

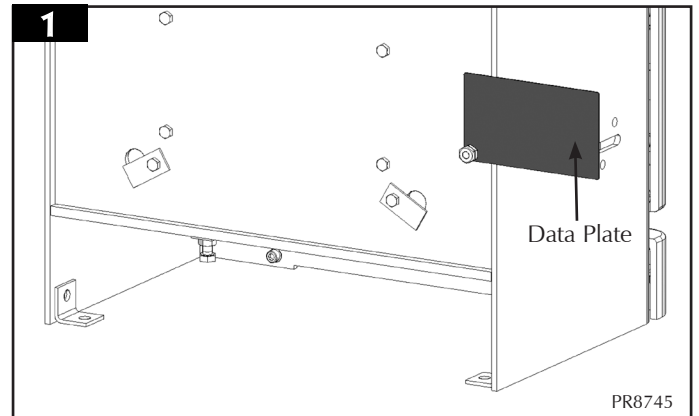
## SERIAL NUMBER

1.13 This number is required when ordering spare parts or making warranty claims. It is found on the appliance data plate.

‡In the U.K. these products must conform to the latest edition of BS 8423, Fireguards for use with solid fuel appliances.

If appliance is operating unattended they must conform to the latest edition of BS 3248.

\*Registered on the Competent Persons Scheme (GB only) see page 26 / INFO (Republic of Ireland).



The data plate is found on a swing out data plate located on the back of the stove on the left hand side (see Diagram 1).

## AIR CONTROLS

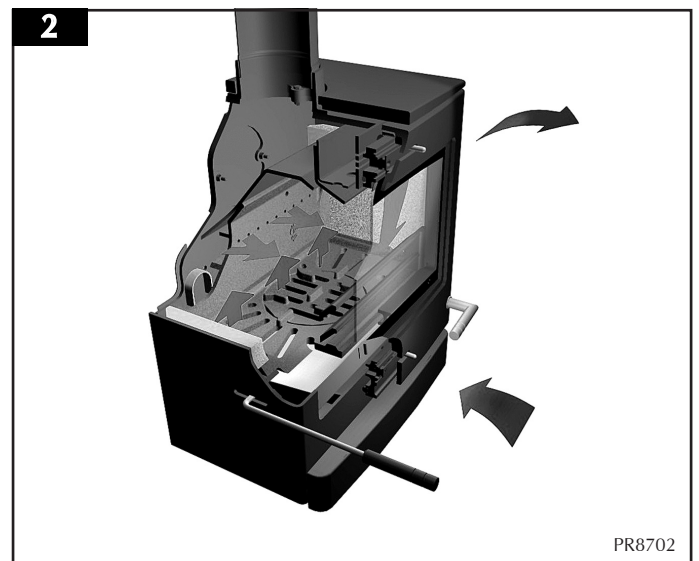
### Triple Air Systems

This Yeoman appliance has a triple air system, providing cleaner burning and greater efficiency and control (see Diagram 2).

1) Airwash - air drawn over the window cleans the glass. The source of Primary Combustion air when burning wood.

2) Primary Air - for use with solid fuel and when lighting wood fires.

3) Cleanburn - secondary air is preheated through a heat exchanger to combust unburned hydrocarbons, providing a cleaner and more efficient burn.

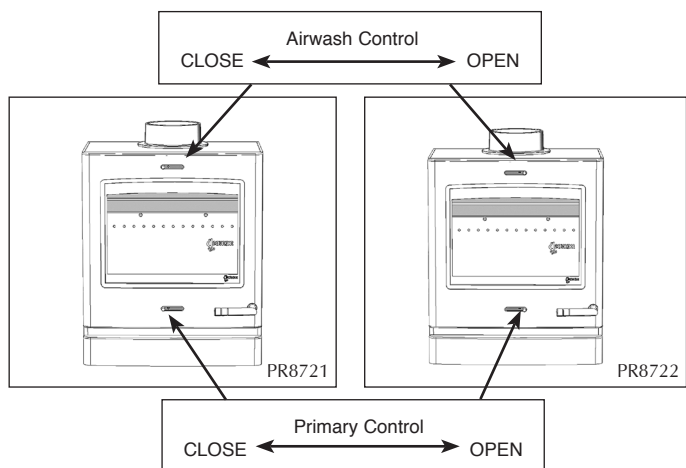


For Air Controls see the diagram over.

Use the tool provided to operate the air controls.

Do not place tool on hot surfaces (e.g. top of stove).

# USER INSTRUCTIONS

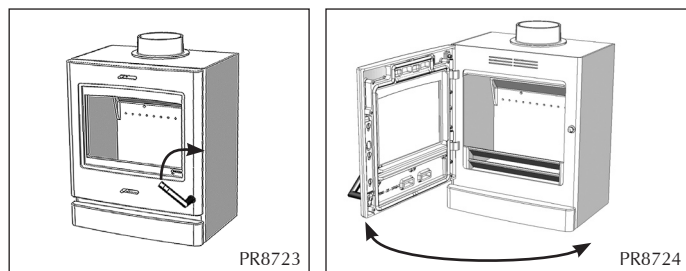


## DOOR OPERATION

1.14 Use a protected gloved hand to operate.

**DO NOT OPEN THE DOOR WITH BARE HANDS**

**To Open and Close**  
Rotate handle and pull door to open



## WARNING

**Properly installed, operated and maintained this appliance will not emit fumes into the room.**

Occasional fumes from de-ashing and refuelling may occur.

**Persistent fume emission is potentially dangerous and must not be tolerated.**

If fume emission does persist:

- Open doors and windows to ventilate the room.
- Allow fire to burn out and safely dispose of fuel from the appliance.
- Check for chimney blockage and clean if required.
- Do not attempt to relight until the cause of the emission has been identified and corrected.

**If necessary seek expert advice.**

—All open flued appliances can be affected by temporary atmospheric conditions which may allow fumes to enter the house. **Because of this an electronic carbon monoxide detector conforming to the latest edition of BSEN50291 must be fitted in the same room as the appliance. The existence of an alarm must not be considered a substitute for ensuring regular servicing and maintenance of the appliance and chimney system.**

**If the alarm sounds follow the instructions given under Warning above.**

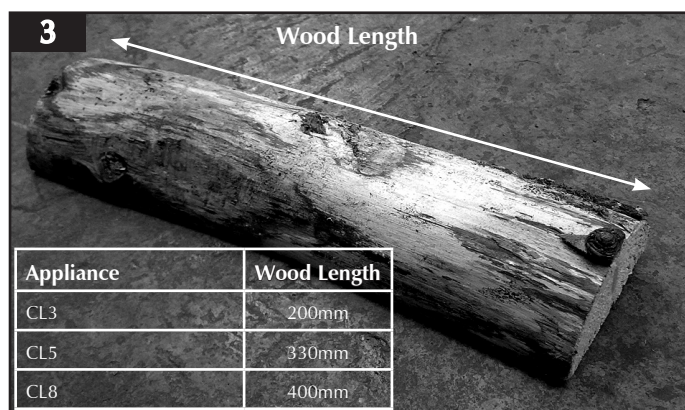
## 2. USING THE APPLIANCE FOR THE FIRST TIME

- 2.1 To allow the appliance to settle, and fixing glues and paint to fully cure, operate the appliance at a low temperature for the first few days.
- 2.2 **Do not touch the paint during the first period of use.**
- 2.3 During this time the appliance may give off some unpleasant odours. Keep the room well ventilated to avoid a build-up of fumes.
- 2.4 Please be aware that, during use, rope seals may discolour. This is normal.

## 3. RECOMMENDED FUELS

### 3.1 Wood Logs

Burn only seasoned timber with a moisture content of less than 20%. To ensure this allow cut wood to dry for 12 to 18 months.



Poor quality timber:

- Causes low combustion efficiency.
- Produces harmful condensation.
- Reduces effectiveness of the airwash and life of the appliance.

# USER INSTRUCTIONS

**Do not burn construction timber, painted, impregnated / treated wood, manufactured board products or pallet wood.**

## 3.2 Solid fuel

Burn only anthracite or manufactured briquette smokeless fuels listed as suitable for use with closed heating appliances.

**Do not burn bituminous coal, 'petro-coke' or other petroleum based fuels as this will invalidate the product guarantee.**

## 3.3 Fuel consumption

As tested at nominal heat output to the requirements of EN 13240: 2001 for intermittent operation:

Description	Fuel Consumption	
	Kg/hour Wood	Kg/hour Briquette Smokeless fuel
Yeoman CL 3	1.4	0.7
Yeoman CL 5	1.5	0.7
Yeoman CL 8	2.8	1.3

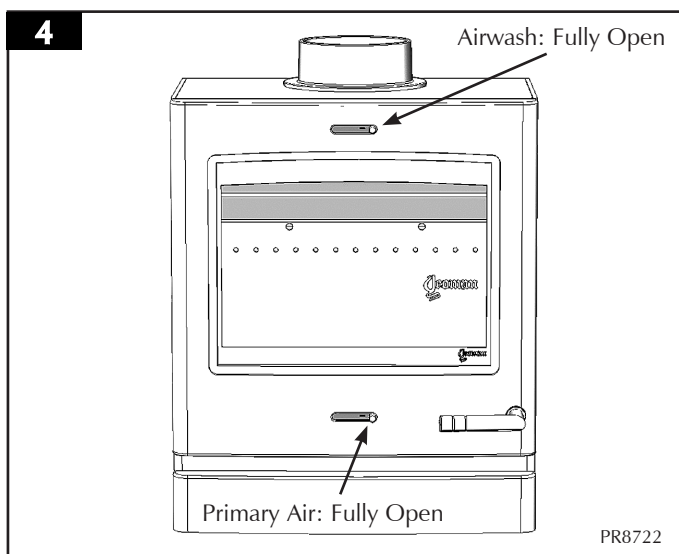
3.4 For advice on suitable solid fuels contact your local approved coal merchant\*.

A number of factors can affect the performance of the appliance (see *User Instructions, Section 6*).

## 4. LIGHTING THE APPLIANCE

4.1 For best results:

—Set air controls (see Diagram 4).



—Place firelighters or paper and dry kindling wood on the grate.

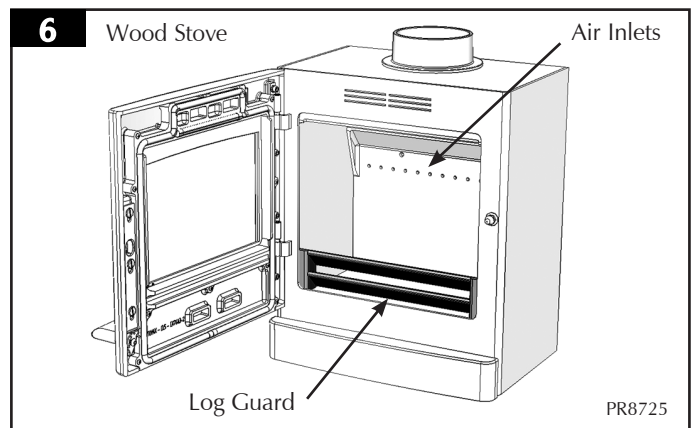
—Light the paper or firelighters (see Diagram 5).



—Leave the door slightly open as the fire establishes and the glass warms to avoid the build-up of condensation.

—Add larger pieces of wood. Too many logs may smother the fire.

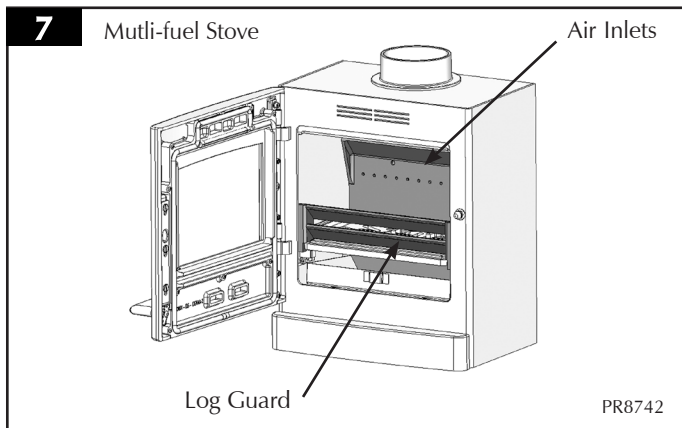
**Do not load fuel above the log guard and the secondary combustion inlets at the back of the firebox (see Diagram 6).**



\*In the U.K.

Ring the Solid Fuel Association advice line on 0845 601 4406 for details or visit their web site at [www.solidfuel.co.uk](http://www.solidfuel.co.uk)

# USER INSTRUCTIONS

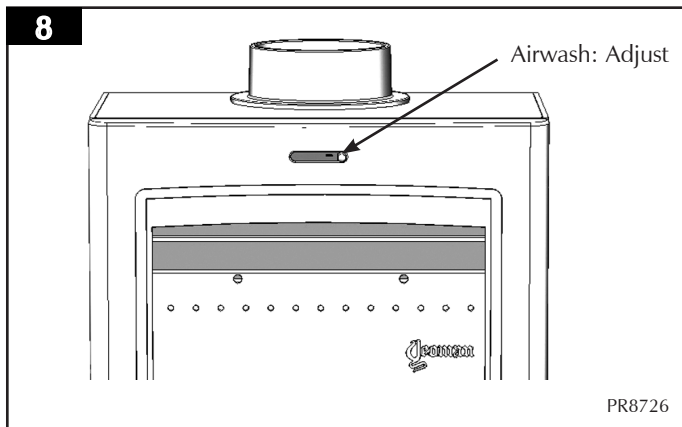


—Close the door.

## 5. RUNNING THE APPLIANCE

### 5.1 Burning Wood

—Close the **Primary Air control** and use the **Airwash** to control the temperature (see Diagram 8).



—Wood burns best on a bed of ash (approx. 25mm (1") deep).

—Rake the embers evenly over the firebed and open the **Airwash Control** fully for a few minutes before re-fuelling.

5.2 Burn new logs at a high temperature for a few minutes before adjusting the **Airwash control**.

**Refuel little and often for clean, efficient burning.**

5.3 Experience establishes settings to suit personal preferences.

5.4 Do not burn large amounts of fuel with the **Airwash Control** closed for long periods of time. This reduces the glass cleaning effect and causes tars and creosotes to build-up in the appliance and flue system.

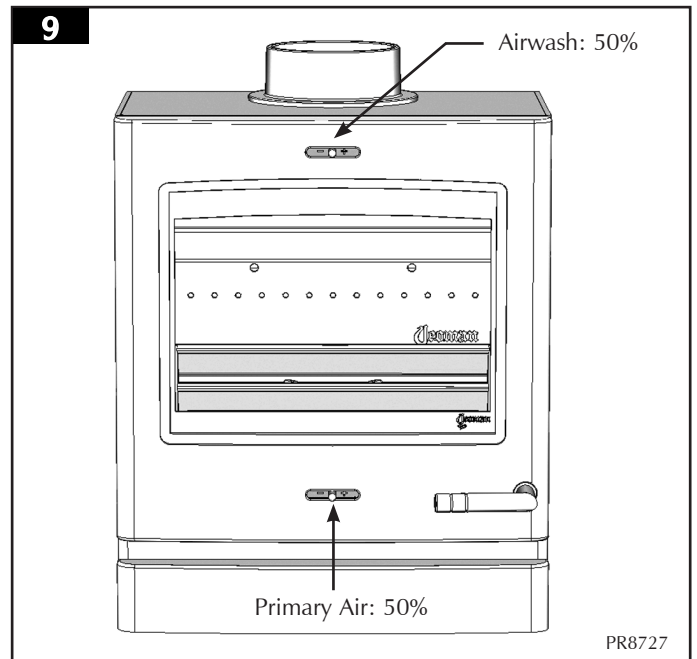
5.5 When in use, burning the appliance at a high temperature for a short period also reduces tars and creosotes.

### 5.6 Burning Solid Fuel

**Solid Fuel can only be burned in a multi-fuel stove.**

**Only for use with recommended fuels (see User Instructions, Section 3).**

Set air controls (see Diagram 9).



5.7 De-ash the fire bed before re-fuelling (see *User Instructions, Section 7*).

—Open the **Primary Air Control** fully to establish a glowing bed before adding new fuel.

—Burn new fuel at a high temperature for a few minutes before adjusting the **Primary Air Control** to the desired setting.

—Refuel little and often for clean, efficient burning.

5.8 Experience establishes control settings to suit personal preferences.

5.9 Do not burn large amounts of fuel with the **Primary Air Control** on a low setting for long periods of time. This reduces the glass cleaning effect of the Airwash and causes tars and creosotes to build-up in the appliance and flue system.

5.10 When in use, burning the appliance at a high temperature for a short period also reduces tars and creosotes.

5.11 **You must burn only anthracite or smokeless fuels suitable for use in closed appliances.**

# USER INSTRUCTIONS

5.12 **Do not burn bituminous coal, 'petro-coke' or other petroleum based fuels, as this invalidates the product guarantee.**

**Do not load fuel above the log guard and the secondary combustion inlets at the back of the firebox** (see Diagram 6).

## 6. BURNING TIPS

### 6.1 Fuel Quality (Wood)

Use wood with a moisture content of less than 20%. Seasoned logs have the bark beginning to lift and peel away and cracks radiating from the centre. They feel lighter than fresh cut wood of a similar size and sound hollow when struck against each other. Logs should not feel damp or have moss and fungal growths.

Symptoms related to wet wood:

- Difficulty starting and keeping a fire burning well.
- Smoke and small flames.
- Dirty glass and/or firebricks.
- Rapid creosote build-up in the chimney.
- Low heat output.
- Short burn times, excessive fuel consumption and blue/grey smoke from the chimney.

Burn at a high temperature for a short period each day to avoid large build-ups of tars and creosote within the appliance and the flue system.

Use Stovax Protector chimney cleaner to reduce this problem.

### 6.2 Fuel Quality (Solid Fuel)

Use recommended solid fuels approved for use with closed appliances.

Symptoms related to unsuitable fuels include:

- Difficulty starting and keeping a fire burning well.
- Smoke and small flames.
- Dirty glass and/or fire bricks.
- Short life span for Grate, Baffle and internal Firebricks.
- Permanent staining of glass.

### 6.3 Air inlets puffing smoke

Combustion gases can build up in the firebox and ignite as small explosions, causing smoke to puff out of the air inlets and other openings. This occurs if the air controls are shut soon after adding new fuel to a very hot fire. Stop by opening the air controls to increase combustion air and burning rate.

### 6.4 Flue Draught

The chimney has two main functions:

- 1) To safely remove the smoke, gases and fumes from the house.
- 2) To provide a sufficient amount of draught (suction) in the appliance ensuring the fire keeps burning.

Draught is caused by the rising hot air in the chimney when the appliance is lit.

Symptoms of poor performance related to flue draught include:

- Excessive fuel consumption (high flue draught).
- Poor burning control, overheating (high flue draught).
- Wind noise from air controls (high flue draught).
- Difficulty getting a fire going and keeping it burning well (low flue draught).
- Low heat output (low flue draught).
- Smoke entering room when doors opened (low flue draught).

The construction, position, size and height of the chimney all affect the performance of the flue draught.

Other factors effecting the flue draught include:

- Trees or other buildings nearby causing turbulence.
- Outside temperature.
- Outside weather conditions.
- Incorrect additional ventilation to building.
- Blocked flue / chimney.

For advice on the correction of persistent flue problems consult a qualified solid fuel heating engineer before continuing to use the appliance.

### 6.5 Weather conditions

The weather conditions outside the building can effect the burning performance of the appliance. These could include:

Weather Conditions	Problem	Effect
Windy days	Buildings/Obstacles cause turbulent air around chimney.	Smoky Appliance
Calm days	Oversized Chimney.	Smoky Appliance
Damp / Rainy days	Flue temperature not hot enough. Rain water inside chimney.	Lighting and burning problems

To reduce these problems:

- Use good quality kindling wood to start the fire.
- Burn initially at a high temperature for a short period.
- Fit a rain cowl to the chimney.

Your installer should advise you on possible solutions.

If the appliance emits smoke into the room continuously:

- Close the air controls and allow the appliance to go out.
- Ventilate the room to clear the fumes.

**Do not re-light the appliance until the problem is solved.**

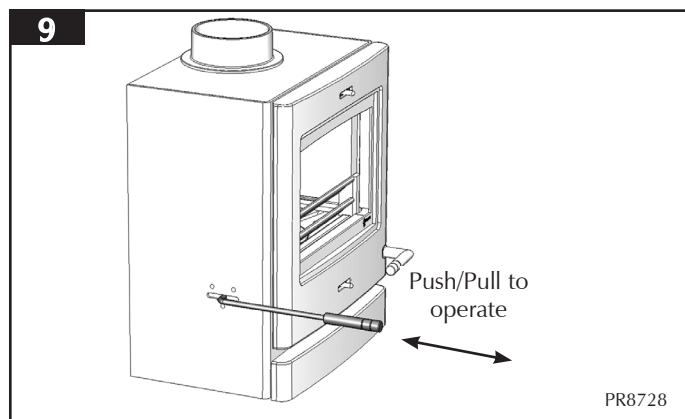


# USER INSTRUCTIONS

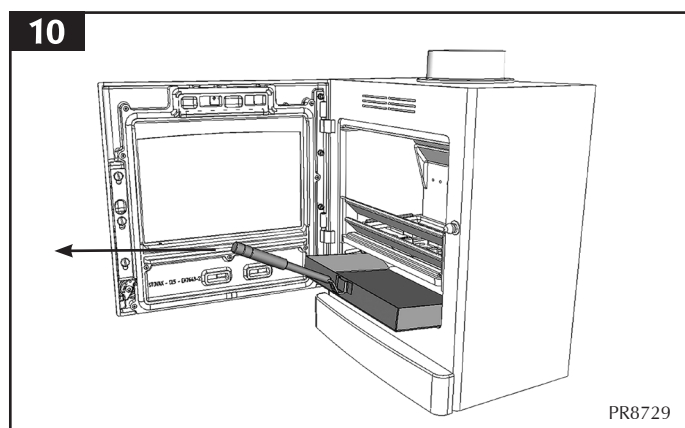
## 7. ASH REMOVAL

### 7.1 Multi-fuel stove

Riddle with the tool provided (see Diagram 9).



Open Door (see Diagram 10).



- Using gloves carefully remove ashpan with the tool provided. **Heat can remain long after use.**
- Place the ash into a Stovax Ash Caddy (Stovax Part No. 4227) or other suitable container.
- Remove ash at least once every week when burning wood.
- Do not place hot ash in a container made from plastic or any other combustible material.

## 8. EXTENDED BURNING

8.1 It is possible to get the appliance to burn for extended periods of time. In order to do this:

- De-ash prior to final refuelling.
- Set air controls to low combustion settings.

This will gradually blacken the glass but it will clear when operated at a high temperature for a short period.

- Use smokeless fuel or small, thick logs.

## 9. OVER-FIRING

- 9.1 Do not over-fill with fuel or run at high temperatures for long periods or over-firing can occur. If the flue pipe, flue collar or top plate glow red the appliance is over-firing. Close the air controls to reduce the temperature.
- 9.2 **Over-firing can cause permanent damage to the appliance.**

## 10. CHIMNEY FIRE

- 10.1 **If a chimney fire occurs:**
- Shut all air controls immediately.
  - Evacuate the building.
  - Call the fire brigade.
  - Do not re-enter the building until it is confirmed safe.
- 10.2 **Do not use the appliance after a chimney fire until:**
- It has been inspected by a registered installer\*, confirming the appliance is safe to use.**
  - The chimney system has been inspected and swept by a chimney sweep, confirming the system is structurally sound and free from obstruction\*\*.
  - It is repaired as required before re-use.** Use only genuine Stovax replacement parts to keep your appliance in safe, efficient working order.

## 11. GENERAL CLEANING

- 11.1 Clean and inspect the appliance regularly, especially in periods of heavy use. Regular cleaning and maintenance will help give many years of safe use.

**Allow appliance to cool thoroughly to avoid risk of burns.**

Clean regularly, according to level of use.

Remove the ash completely (see *User Instructions, Section 7*).

Check the internal components for damage. Do not use the appliance if any parts are broken or damaged. Replace damaged parts with genuine Stovax replacement parts to keep the appliance in safe, efficient working order.

In the U.K.

\* Registered on the Competent Persons Scheme (GB only) see page 27 / INFO (Republic of Ireland).

\*\* This should be done by a HETAS registered chimney sweep, see page 27, who will issue you with a certificate.

# USER INSTRUCTIONS

Check for obvious build up of soot, ash or debris above the flue baffle(s) (these can be found in the upper part of the firebox). Use a torch if necessary.

If there are any signs of a build up of debris above the flue baffle(s) either:

- Arrange for the chimney to be swept (see *User Instructions, Section 13*).
- Remove the baffle and clear the debris (see *Installation Instructions, Section 4*).

To refresh painted finishes use Stovax Riva Midnight black metallic paint.

Wipe dry with a soft clean cloth before relighting. Always dry appliance to avoid rust.

**Do not use abrasive cleaner or cleaning pads.**

Check that the door shuts properly and creates an effective seal. Leaking door seals prevent the appliance working properly.

**Do not use aerosol sprays near an operating appliance.**

## 12. CLEANING GLASS

Keep the glass clean with correct use of the Airwash system and good quality fuel.

12.1 Sometimes additional cleaning may be required.

This can be done as follows:

- Allow appliance to cool fully. **Do not clean hot glass.**
- Use a soft cloth and suitable cleaner.

12.2 **Do not use cleaning agents that have a high alkaline content, for example Stovax Gel Cleaner, on appliances with painted glass such as the Studio, View or CL. These are abrasive cleaning agents that are designed to be used with heavily stained clear glass. Use Stovax Glass Cleaner (Stovax No.4103) on more delicate surfaces.**

**Do not use acidic cleaners on printed glass.**

12.3 Before re-lighting the appliance dry the glass fully.

## 13. CHIMNEY SWEEPING

13.1 To maintain safe and efficient use of the appliance, the chimney/flue must be inspected and swept at least once a year by a qualified chimney sweep\*\*.

If the appliance is used continuously throughout the year, or it is used to burn wood or smokeless fuel, more frequent sweeping is recommended.

The best time to have the chimney swept is at the start of the heating season.

The above applies even if burning smokeless fuels.

- 13.2 The chimney, any connecting flue pipe and the appliance flue ways, if incorporated, must be regularly cleaned.
- 13.3 Ensure adequate access for cleaning where it is not possible to sweep through the chimney.
- 13.4 If the chimney is believed to have previously served an open fire it must be swept a second time within a month of regular use after installation.

## 14. CARE OF STOVE

Stovax has a range of cleaning and maintenance products and accessories to keep your appliance in good working order. Your Stovax retailer can advise you on suitable items for your stove and provide genuine spare parts such as replacement glass, door sealing rope and firebricks. View the extensive range at [www.stovax.com](http://www.stovax.com) by clicking on *Accessories*. In addition, an annual service by a competent engineer is recommended to keep your stove in the best possible condition.



## 15. SEASONAL USE

- 15.1 Clean and service the appliance if it is not used during the warmer periods of the year, as detailed in the *Maintenance and Servicing* section.
- 15.2 Set the air controls to 50% to keep the appliance ventilated and stop the build-up of any moisture inside.
- 15.3 Before re-lighting the appliance:
- Remove the baffle.
  - Clear any debris that may have accumulated.
  - Check the flue is clear of any blockages.

In the U.K.

\* Registered on the Competent Persons Scheme (GB only) see page 11 / INFO (Republic of Ireland).

\*\* This should be done by a HETAS registered chimney sweep, see page 11, who will issue you with a certificate.

# USER INSTRUCTIONS

## 16. TROUBLESHOOTING TIPS

### 16.1 Stove glass blackening

This has four possible causes:

1. **Incorrect use of Airwash**

See *User Instructions, Sections 1, 4 and 5* for the correct use of the air controls.

2. **Burning unseasoned wood**

See *User Instructions, Section 3* to identify when wood is ready for burning.

3. **Stove operated at too low a temperature**

A stove pipe thermometer can identify this problem (Stovax part no 3046). **The ideal working temperature range** is 130°C - 250°C (270°F - 480°F). Failing to close down the Primary Air Control once the appliance has heated up to this range may cause the appliance to exceed the ideal temperature range and to over-fire. Over-firing can cause permanent damage to the appliance and invalidates your warranty. Burn with the Airwash Control fully open for approximately 20 minutes to cure this.

The problem may be caused by damping down the appliance during periods of extended burning.

4. **Problems with the flue**, in particular insufficient air pull. If the flue is not working efficiently the glass can blacken. A flue which has too much downdraft may be too short, needs lining, or has too many bends. This can also cause blackening of the stove glass. Contact the installer or a flue specialist for advice.

### 16.2 Riddling Mechanism Jamming

This occurs when ash builds up under the riddling grate preventing movement. To rectify:

— Lift out the riddling mechanism (see *Installation Instructions, Section 5*) and remove all ash.

— Replace riddling mechanism when cleaning is complete.

— De-ash and clean the inside of the appliance regularly to avoid build up of ash and subsequent jamming of mechanism.

### 16.3 Glass cracking

Do not over tighten the screws on the glass clips when replacing the glass. This causes stress and the intense temperature changes can cause the glass to crack. For replacement glass contact your local Yeoman retailer.

### 16.4 Appliance is producing tar

This can be identified by:

— A very strong pungent smell shortly after the appliance is lit and heats up.

— Glass blackening.

— Thick, brown, sticky tar oozing from the pipe joints.

This is caused by burning damp wood and running the appliance at too low a temperature.

Use well seasoned wood and operate the appliance within the ideal temperature range.

**Tar is a major cause of chimney fires.** If the appliance experiences problems with tar build up consult a chimney sweep before continued use of the appliance.

### 16.5 In the unlikely event of a problem that cannot be solved by these tips contact your installer or retailer for help.

## 17. SMOKE CONTROL KIT

17.1 This appliance can be modified to burn wood in a smoke control zone. For more details on the Smoke Control Kit for this appliance contact your retailer.

NOTE: These appliances have been independently tested to PD6434 and approved by DEFRA as an exempted appliance, allowing it to burn wood in Smoke Control areas when fitted with a Smoke Control Kit.

### Organisations authorised to certify competence in the installation of domestic solid fuel appliances (Competent Persons Scheme):

APHC - Association of Plumbing and Heating Contractors (Certification) Ltd.  
[www.aphc.co.uk](http://www.aphc.co.uk)

BESCA - Building Engineering Services Competence Accreditation Ltd.  
[www.besca.org.uk](http://www.besca.org.uk)

HETAS - Heating Equipment Testing and Approval Scheme Ltd.  
[www.hetas.co.uk](http://www.hetas.co.uk)

NAPIT - National Association of Professional Inspectors and Testers Ltd.  
[www.napit.org.uk](http://www.napit.org.uk)

NICEIC - NICEIC Group Ltd.  
[www.niceic.org.uk](http://www.niceic.org.uk)

### HETAS Approved Chimney Sweeps:

NACS - The National Association of Chimney Sweeps  
[www.chimneyworks.co.uk](http://www.chimneyworks.co.uk)

APICS - The Association of Master Chimney Sweeps Ltd.  
[www.apics.org](http://www.apics.org)

GMS - The Guild of Master Chimney Sweeps  
[guildofmasterchimneysweeps.co.uk](http://guildofmasterchimneysweeps.co.uk)

# TECHNICAL SPECIFICATION

## YEOMAN

Model			Yeoman CL3	Yeoman CL5	Yeoman CL8
Yeoman CL3 - YM-CL3MF					
Yeoman CL5 - YM-CL5W / YM-CL5MF					
Yeoman CL8 - YM-CL8W / YM-CL8MF					
Nominal Heat Output	Wood	kW	3.75	4.9	8
	Solid Fuel	kW	3.75	4.9	8.6
Flue Draft at Nominal Heat Output	All Fuels	mm Wg	1.25	1.25	1.25
		inch Wg	0.05	0.05	0.05
Flue Gas Mass Flow	Wood	g/s	3.8	2.6	7.0
	Solid Fuel	g/s	2.9	3.2	7.3
Flue Gas Temperature at Spigot/Socket	Wood	°C	408	369	446
	Solid Fuel	°C	408	369	446
Flue Outlet Size (Top or Rear Option)		mm	125	125	150
		inch	5	5	6
Minimum Hearth Type Required			Constructional = CH	CH	CH
Weight			kg	76	120
Recommended Fuels	Wood	Seasoned wood (less than 20% moisture content)			
	Solid Fuels	Briquette smokeless fuel suitable for closed appliances. (Ancit - Phurnacite - Taybrite - Homefire ovals)			
As tested to the requirements of EN 13240 for intermittent operation.					

### 1. STANDARD FEATURES

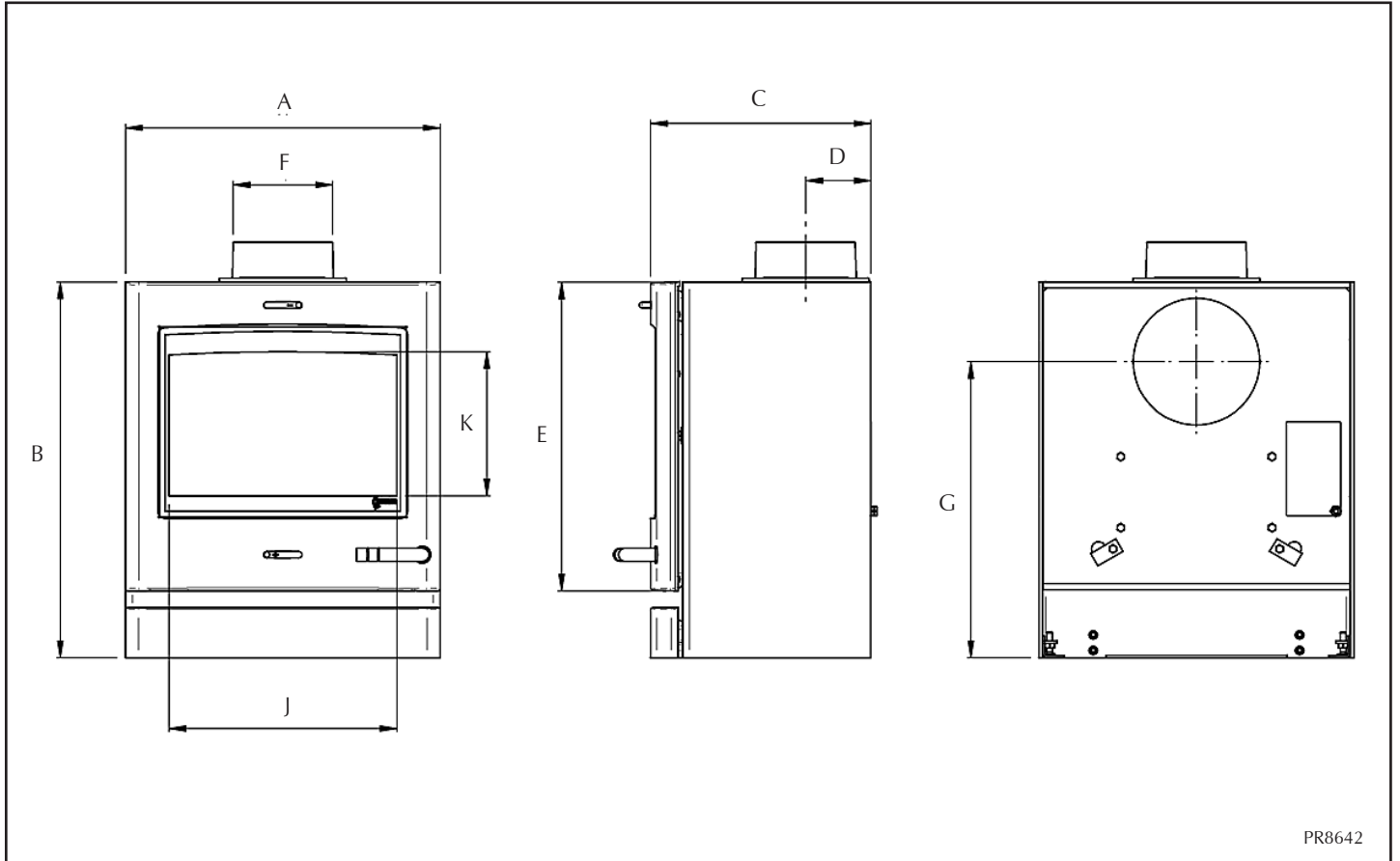
- Primary Air (under grate air for full multi-fuel use).
- Airwash (for wood burning / clean glass).
- Preset Secondary Air control (to ensure complete burning of flue gases).
- Riddling grate system for clean de-ashing (multi-fuel only).
- Top or rear flue exit option.

### 2. PACKING LIST

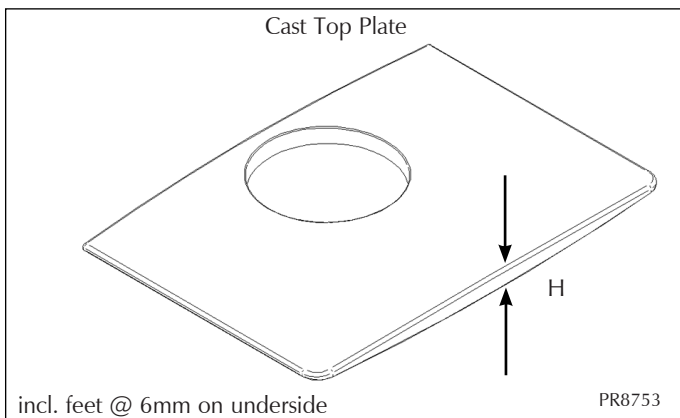
- User & Installer Instructions
- Guarantee card
- Pair leather gloves
- Fire bricks
- Ashpan (multi-fuel only)
- Ashpan tool (multi-fuel only)
- Riddling tool (multi-fuel only)

# TECHNICAL SPECIFICATION

## YEOMAN DIMENSIONS



PR8642



Description	Model	A	B	C	D	E	F (Ø)	G	H	J	K
Yeoman CL3	YM-CL3MF	360	510	306	93	416	128/5"	400	22	240	195
Yeoman CL5	YM-CL5W	435	518	303	90	424	128/5"	408	24	315	199
	YM-CL5MF										
Yeoman CL8	YM-CL8W	563	572	363	105	478	153/6"	449	24	441	225
	YM-CL8MF										

All dimensions are in mm (25.4mm = 1")

# SITE REQUIREMENTS

## 1. FLUE OR CHIMNEY

- 1.1 The flue or chimney system must be in good condition. It must be inspected by a competent person and passed for use with the appliance before installation.

**Products of combustion entering the room can cause serious health risks.**

- 1.2 The following must be checked:
- The construction of the masonry chimneys, flue block chimneys and connecting flue pipe system must meet the requirements of the Building Regulations<sup>†</sup>.
  - A flexible flue liner system can be used if certified for use with solid fuel systems and installation complies with manufacturer's instructions and Building Regulations<sup>†</sup>. The flue liner must be replaced when an appliance is replaced, unless proven to be recently installed and in good condition.
  - If it is necessary to fit a register plate it must conform to the Building Regulations<sup>†</sup>.
  - The minimum height of the flue or chimney must be 4.5m from the hearth to the top of the flue, with no horizontal sections and a maximum of 4 bends. Bends must have angles of less than 45 degrees from the vertical.
  - Ensure the connecting flue pipe is kept a suitable distance from any combustible material and does not form part of the supporting structure of the building.
  - Make provision to remove the appliance without the need to dismantle the chimney.
  - Any existing flue must be confirmed as suitable for the new intended use as defined in the Building Regulations<sup>†</sup>.
  - The flue or chimney systems must be inspected and swept to confirm the system is structurally sound and free from obstructions\*\*.
  - If the chimney is believed to have previously served an open fire it must be swept a second time within a month of regular use after installation to clear any soot falls that may have occurred due to difference in combustion levels.
  - The flue exit from the building must comply with local building control rules<sup>†</sup>.
  - Do not connect or share the flue or chimney system with another heating appliance.
- 1.3 Do not connect to systems containing large voids or spaces over 230mm square.

- 1.4 Suitable access must be provided to enable the collection and removal of debris.
- 1.5 The flue must be swept and inspected when the appliance is installed.
- 1.6 The flue draught must be checked with all windows and doors closed and any extraction fans in this, or adjoining rooms, running at maximum speed (see next section for additional ventilation requirements).

**Max. Draught = 2.0mm Wg**  
**Min. Draught = 1.0mm Wg**

### In the U.K.

\*The design of the flue and chimney systems and products used should meet the requirements of ADJ along with any other relevant, National or European standards that may apply. Products should be specified with regard to the type of appliance, position within the building, fuels to be used and appliance operating temperatures.

\*\*This should be done by a HETAS Approved Chimney Sweep (UK only) see page 27 / INFO registered (Republic of Ireland only) who will issue you with a certificate.

† Building Regulations Document J

### Flue Plate:

Where a hearth, fireplace, flue or chimney is provided or extended (including cases where a flue is provided as part of refurbishment work), information essential to the correct appliance and use of these should be permanently posted in the building, to meet Requirement J4 of the Building Regulations (England and Wales), F3.12 (Scotland).

### Additional:

A new factory made system that complies to EN 1856; Part 1 can be used providing installation is to the requirements of:

- i) BS 7566 Parts 1 -4
- ii) the manufacturer's instructions
- iii) Building Regulations.

For a guide containing information on Chimneys and Flues contact:

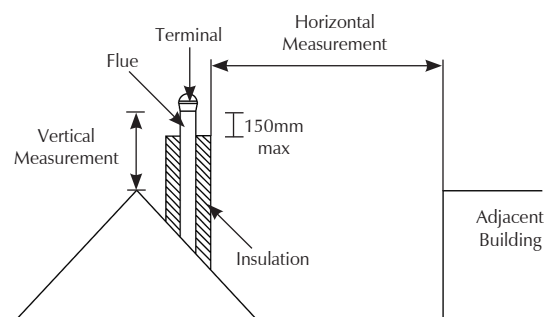
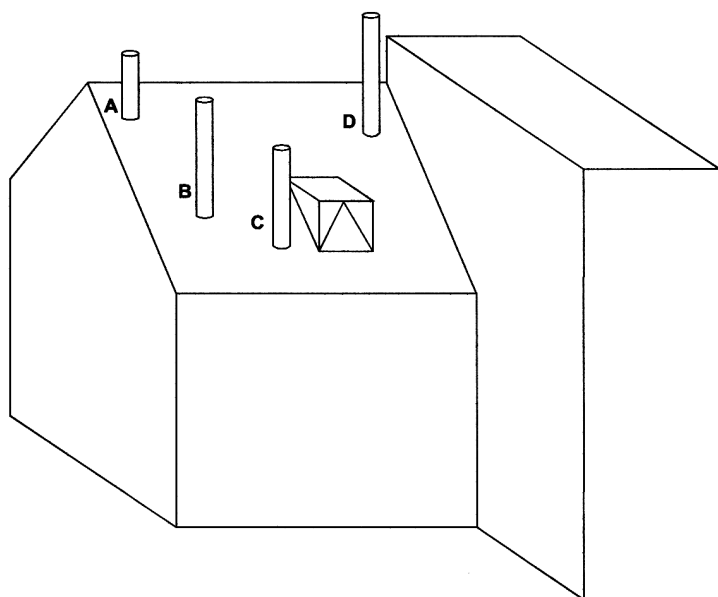
The British Flue & Chimney Manufacturers' Association,  
FETA  
2 Waltham Court  
Milley Lane  
Hare Hatch  
Reading  
Berkshire RG10 9TH

Tel: 0118 9403416

e-mail: info@feta.co.uk

# SITE REQUIREMENTS

## 1. FLUE OUTLET POSITIONS

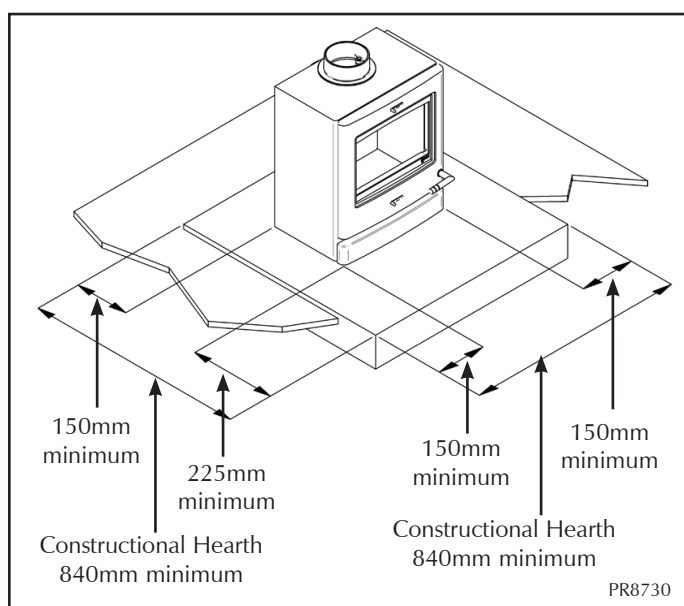


The vertical measurement is the lowest from either the point of discharge or 150mm above insulation.

**IMPORTANT:** Seek specialist advice if installing in a dwelling with a thatched roof

	Position On Roof	Minimum Clearances
A	On ridge or within 600mm	600mm above ridge
B	Elsewhere on roof	2300mm horizontally from roof surface and: a) 1000mm above highest point of flue exit from roof or b) as high as the ridge
C	On pitched, within 2300mm horizontally to openable window, dormer	1000mm above top of opening
D	Within 2300mm of another building	600mm above top of building

## 1. HEARTH DIMENSIONS

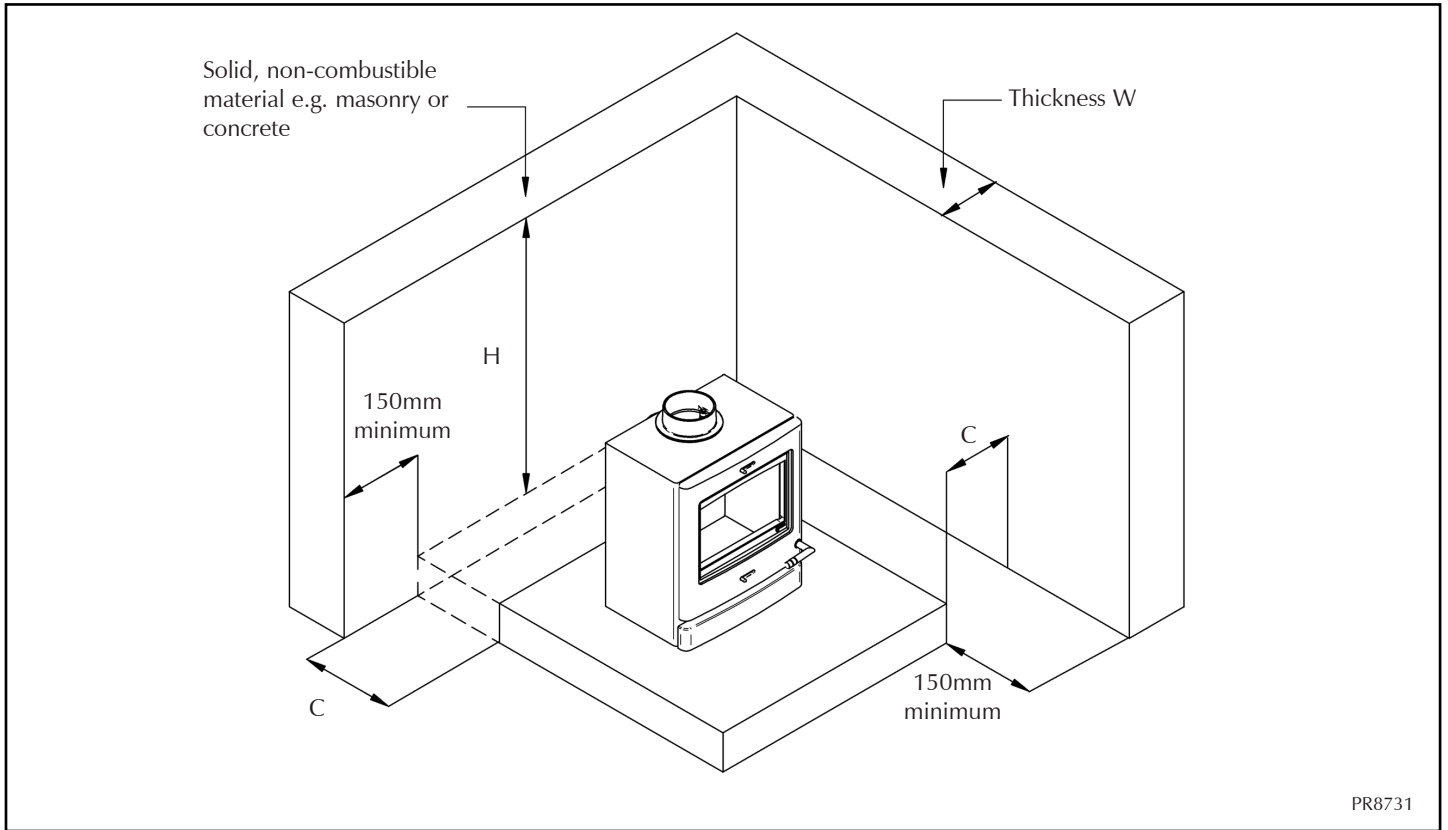


- 2.1 The appliance must stand on a non-combustible constructional hearth which is at least 125mm thick with the minimum dimensions as shown in diagram.
- 2.2 If this appliance can be installed in an elevated setting it is recommended to increase the 225mm hearth depth to safely contain any falling logs or embers. The higher the appliance is installed the deeper the hearth should be to avoid scorched floor coverings.
- 2.3 The building must have a suitable load-bearing capacity for the hearth and appliance. **Consult a structural engineer for advice before proceeding.**
- 2.4 When fitting into an existing hearth check that the hearth complies with current construction regulations and is at least the minimum sizes shown.
- 2.5 If there is no existing fireplace or chimney it is possible to construct a suitable non-combustible housing and hearth setting. The flue must be installed in accordance with all local and national regulations and current rules in force.

Check if adding a new chimney to your property requires planning permission.

# SITE REQUIREMENTS

## WALLS NEXT TO A HEARTH



PR8731

Position of Appliance & Hearth in relation to walls		Requirement for the walls	
Distance of hearth from wall 'C'	Distance of Appliance to wall	Min thickness of Wall 'W'	Min height of wall 'H'
0mm	0mm - 50mm	200mm	Height of appliance + 300mm Or 1200mm from the hearth (take largest dimension)
0mm	51mm - 300mm	75mm	
0 - 150mm	150mm +	75mm	1200mm
150mm +	300mm +	No Minimum Requirement	

Suitable clearance should be allowed around the stove to enable the correct fitting and maintenance of the appliance.

Any clearances should be confirmed by making a site survey and a physical check of wall thickness and dimensions.



# PRE-INSTALLATION CHECKS

## 1. FLUE

Model			Yeoman CL3	Yeoman CL5	Yeoman CL8
Yeoman CL3 - YM-CL3MF					
Yeoman CL5 - YM-CL5W / YM-CL5MF					
Yeoman CL8 - YM-CL8W / YM-CL8MF					
Flue / Chimney Size	Without Liner System Round (diameter)	mm	150	150	150
		inch	6	6	6
	Without Liner System (square) Minimum Dimension	mm	135	135	135
		inch	5½	5½	5½
	With Liner or Factory Made System (diameter)	mm	‡150	150	150
		mm	‡6	6	6
Flue / Chimney minimum height*		m	4	4	4
		feet	13	13	13
*When measured from the top of the flue, with no horizontal sections and a maximum of 4 bends with angles of less than 45°					
‡May be 125mm (5") if burning low volatiles (smokeless) fuels approved for use in Smoke Control Areas. See web site <a href="http://uksmokecontrolareas.co.uk">http://uksmokecontrolareas.co.uk</a> for more information about approved fuels.					

## 2. VENTILATION

- 2.1 This appliance requires a constant supply of air to maintain proper combustion and effective flue performance.
- 2.2 An inadequate air supply can result in poor combustion and smoke entering the room which is potentially dangerous.
- 2.3 This supply of air can come from either:
  - The natural leakage of air into the room in which the product is fitted.
  - Purpose provided ventilation.
  - Some Stovax appliances can also be fitted with an optional outdoor air kit which allows air to be drawn in from the outside.
- 2.4 The amount of air required must comply with local building regulations and the rules in force.
- 2.5 If spillage is detected during commissioning then there may be insufficient natural ventilation and an additional air supply will be necessary.
- 2.6 Many older buildings are sufficiently ventilated by natural leakage of air to provide suitable air supply for an appliance of 5kW output or less.

Modern building techniques have reduced the amount of air that leaks in or out of a house. A modern construction with an air tightness of less than 5m<sup>3</sup> per hour per m<sup>2</sup> requires an air vent for **ALL** solid fuel appliances including those with a rated heat output of less than 5kW.

NOTE: The air leakage of a modern house is tested at the completion of construction and a certificate issued confirming this.

# PRE-INSTALLATION CHECKS

2.7 Ventilation requirements in the UK are as shown in the table below:

## A) Traditionally Built Homes

- Where the leakage is greater than  $5\text{m}^3/\text{hour}/\text{m}^2$ .
- Ventilation normally required =  $550\text{mm}^2$  per kW output over 5kW

Output (kW)			4	5	6	7	8	9	10
<b>A</b>	Additional ventilation	$\text{mm}^2$	None	None	550	1100	1650	2200	2750
		$\text{cm}^2$	None	None	5.50	11.0	16.5	22.0	27.5
		$\text{in}^2$	None	None	0.89	1.77	2.66	3.55	4.40

## B) Modern Construction Homes

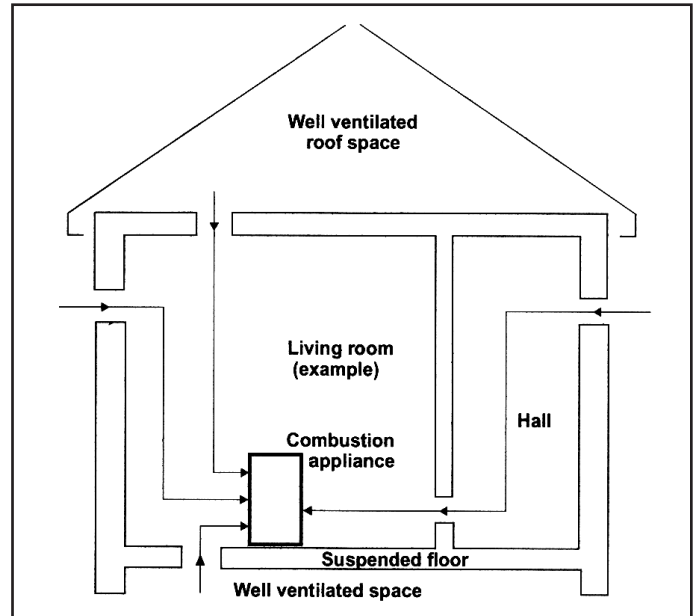
- Where the leakage is less than  $5\text{m}^3/\text{hour}/\text{m}^2$ .
- Ventilation normally required =  $550\text{mm}^2$  per kW

Output (kW)			4	5	6	7	8	9	10
<b>B</b>	Additional ventilation	$\text{mm}^2$	2200	2750	3300	3850	4400	4950	5500
		$\text{cm}^2$	22.0	27.5	33.0	38.5	44.0	49.5	55.0
		$\text{in}^2$	3.55	4.40	5.32	6.21	7.10	7.99	8.87

2.8 Permanent air vents should be non-adjustable and positioned where they are unlikely to become blocked.

2.9 If vents open into adjoining rooms or spaces there must be an air vent of at least the same size direct to the outside.

2.10 Site the vents where cold draught is unlikely to cause discomfort. This can be avoided by placing vents near ceilings or close to the appliance, see diagram below.



2.11 Extractor fans or cooker hoods must not be placed in the same room or space as this can cause the appliance to emit fumes into the room.

2.12 Increase air supply provisions where a room contains multiple appliances.

2.13 **If any checks reveal problems do not proceed with the fitting of the appliance until they have been rectified.**

## 3. FITTING APPLIANCES ON A BOAT

3.1 If an appliance is to be fitted in a boat it must be done in accordance with the latest edition of BS 8511 (Code of Practice for the Installation of Solid Fuel Heating Appliances on Boats). The Code covers the design, installation and operation of solid fuel heating appliances that are suitable for fitting into inland waterway boats, and gives guidance on product selection, design considerations, installation requirements, inspection and testing, as well as maintenance and safe use tips.

3.2 Consideration should also be given to the requirements of the Boat Safety Scheme (BSS) to ensure the boat's insurance remains valid.

3.3 The appliance should only be installed by a competent person with experience of the latest edition of BS 8511 and the Boat Safety Scheme (BSS).

3.4 Secure the product to a suitably constructed non-combustible hearth.

3.5 All open flued appliances can be affected by temporary atmospheric conditions which may allow fumes to enter the boat. An electronic carbon monoxide detector conforming to the latest edition of BSEN50292 must be fitted and maintained.

3.6 Failure to safely install the appliance could endanger the boat and persons on board.

# INSTALLATION INSTRUCTIONS

## LEGAL REQUIREMENTS

Before installation and/or use of this appliance please read these instructions carefully to ensure that all requirements are fully understood.

The appliance must be fitted by a registered installer\*, or approved by your local building control officer.

It is very important to understand the requirements of the national Building Regulations<sup>†</sup> and standards<sup>‡</sup>, along with any local regulations and working practices that may apply. Should any conflict occur between these instructions and these regulations then the regulations must apply.

Your local Building Control Office can advise regarding the requirements of the regulations.

The appliance must be fitted by a registered installer\* or approved by your local building control officer.

Works must be carried out with care to meet the requirements of Health and Safety\*\* and comply with the Health and Safety rules\*\*, and any new regulations introduced during the lifetime of these instructions. Particular attention should be drawn to:

- **Handling:** The appliance is heavy. Adequate facilities must be available for loading, unloading and on site handling.
- **Fire Cement:** Some fire cement is caustic and must not come into contact with the skin. Protective gloves must be worn. Wash hands thoroughly with plenty of water after contact with skin.
- **Asbestos:** This appliance contains no asbestos. If there is the possibility of disturbing any asbestos in the course of installation seek specialist guidance and use appropriate equipment.
- **Metal Parts:** Take care when installing or servicing the stove to avoid personal injury.

**A faulty installation can cause danger to the inhabitants and structure of the building.**

For users of this appliance:  
Your building insurance company may require you to inform them that a new heating appliance has been installed on your property. Check that your cover is still valid after installing the appliance.

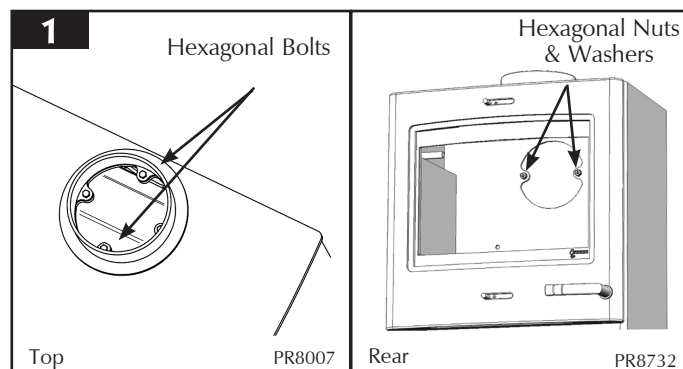
## 1. INSTALLING THE APPLIANCE

Each installation is unique to the property so it is not possible to give details to suit every setting. The installation must comply with Building Regulations<sup>†</sup> and be made using best practice construction methods.

Many fireplace openings have a supporting lintel. Do not remove without supporting the remaining structure of the building. Do not support the structure with the appliance or the flue system.

### 1.1 Take care when installing the appliance. Careless handling and use of tools can damage the finish and/or area.

Choose top or rear flue exit (see Diagram 1).

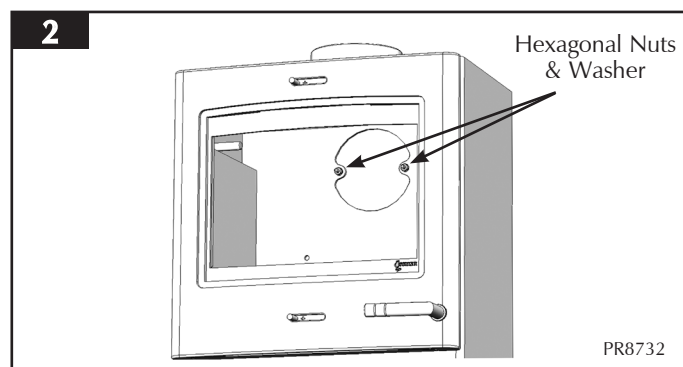


—Fit flue collar and blanking plate to suit.

—Attach flue collar to top or rear with hexagonal bolts (see Diagram 1).

—Seal with fire cement.

—Secure blanking plate with hexagonal bolts (see Diagram 2).



### 1.2 Top flue pipe installation:

—Lift appliance into position, taking care not to damage the hearth finish.

—Level the appliance.

—Connect appliance to the chimney using flue pipe.

—Secure with self tapping screw.

—Seal the connecting joints.

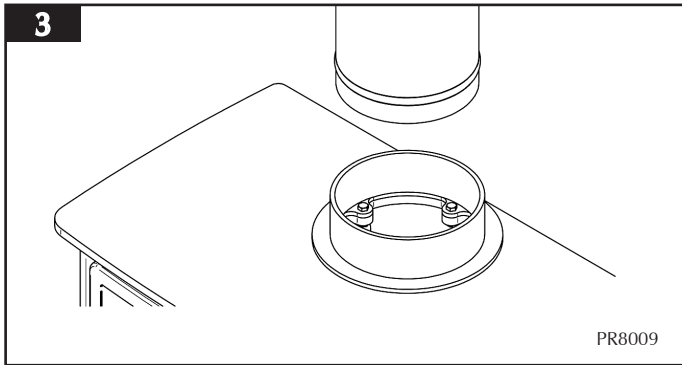
<sup>†</sup> England and Wales – Document J / Scotland - Part F / Document J (Republic of Ireland only)

<sup>‡</sup> the latest edition of BS 8303, BS EN 15287, BS 7566

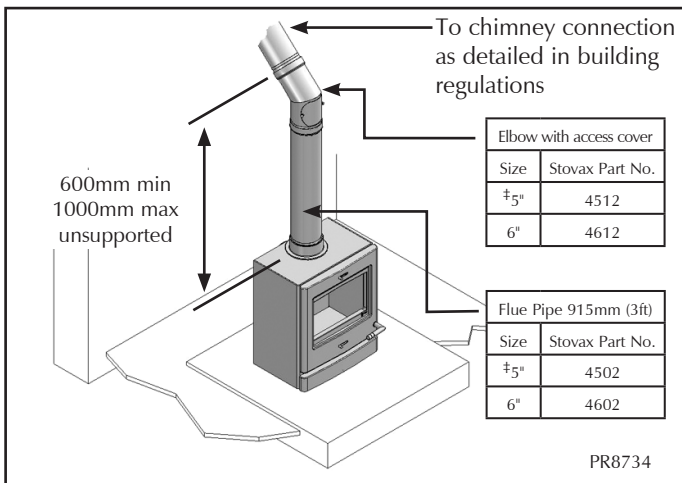
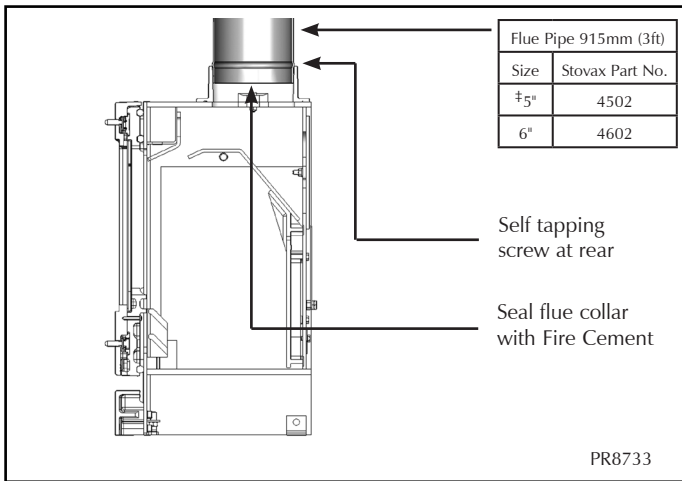
\*Registered on the Competent Persons Scheme (GB only) see page 11 / INFO (Republic of Ireland).

\*\*Health and Safety at Work Act 1974

# INSTALLATION INSTRUCTIONS



The flue must be installed in accordance with manufacturers instructions.



### 1.3 Rear flue pipe installation:

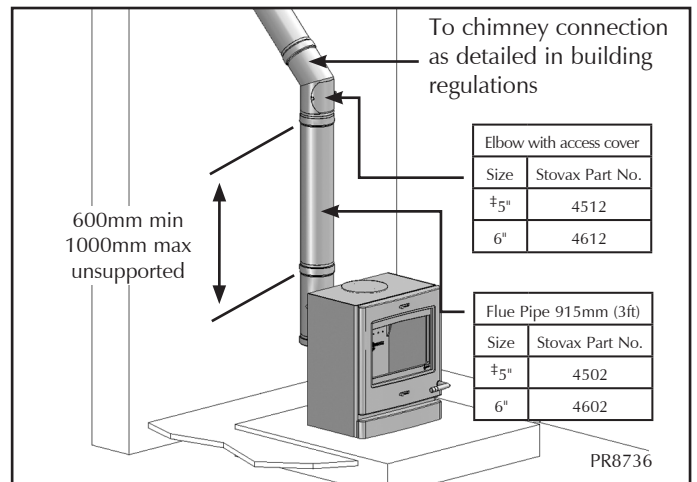
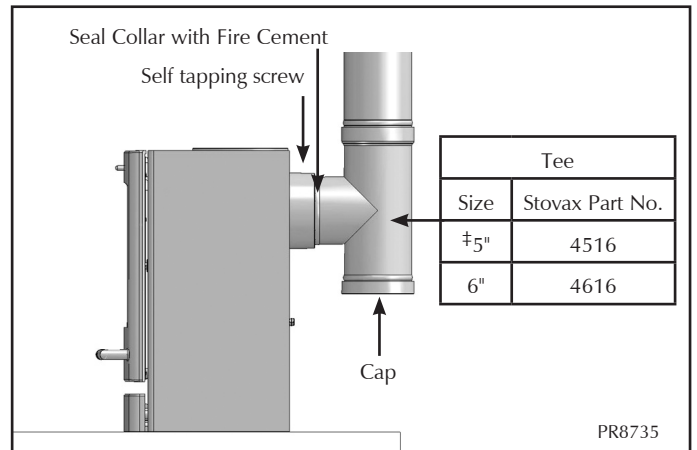
- Insert a tee into the flue collar. The tee piece is used as cleaning access.
- Lift appliance into position, taking care not to damage the hearth finish.
- Level using adjustable bolts.
- Connect tee to the chimney using flue pipe.

—Secure with self tapping screw.

—Seal the connecting joints.

**Do not use a 90° elbow to make this connection.**

The flue must be installed in accordance with manufacturers instructions.



## 2. REMOVAL OF THE LOG GUARD

### 2.1 To remove the Log guard:

- Lift Log Guard clear of the supporting brackets.
- Rotate to clear the sides of the door opening.

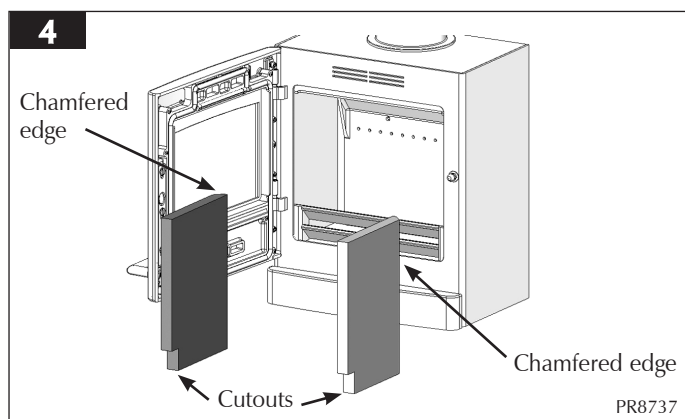
**Do not use appliance without the log guard in position.**

‡Refer to table on page 17.

# INSTALLATION INSTRUCTIONS

## 3. FITTING AND REMOVAL OF THE FIREBRICKS

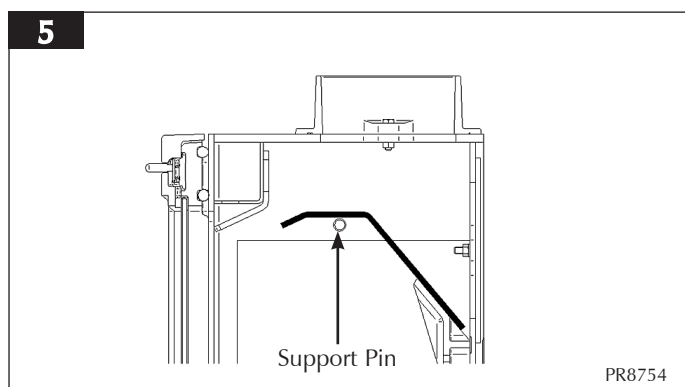
- 3.1 Remove the firebricks as part of the routine maintenance. This can be carried out without the use of tools.
- 3.2 Allow the appliance to cool fully before removing firebricks.
- 3.3 Take care when handling, as bricks can become fragile after use. Life span depends on the type of fuels burnt and the level of use.
  - Replace damaged bricks as soon as possible.
- 3.4 When removing the firebricks make note of the position of the chamfered edges and cutouts.



—Replace in the same orientation.

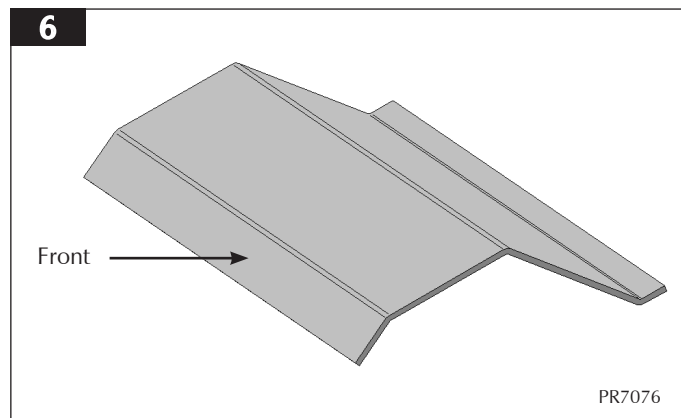
## 4. FITTING AND REMOVAL OF THE BAFFLE

- 4.1 The appliance is fitted with a baffle in the top of the firebox to maintain efficient combustion.



- 4.2 Allow the stove to cool fully before removing the baffle system.
- 4.3 To remove the baffle:
  - Remove the log guard from the stove for access.
  - Lift the front edge of the baffle to clear the support bars.

- Pull the baffle forward to disengage the rear edge from the location above air inlet holes.
- Rotate the baffle to remove from the firebox through the door opening.



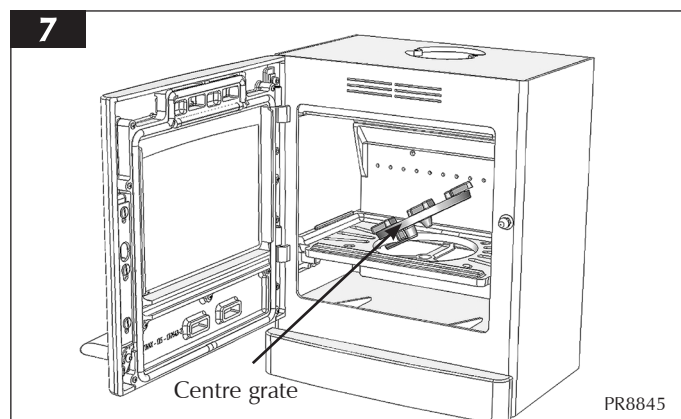
—Replace in reverse order.

- 4.6 Remove and clean the baffle system to ensure the flue ways are clear of soot and debris and to ensure the safe, efficient operation of the stove. The frequency of cleaning will depend on the stove operating conditions.
- 4.7 The baffle system is designed to give safe and efficient operation of the stove. Replace any damaged baffle immediately.
- 4.8 Do not modify the baffle system.

## 5. REMOVAL OF RIDDLING MECHANISM

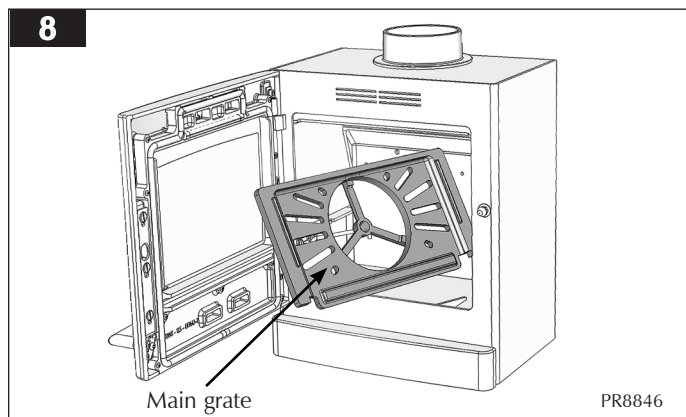
To maintain good working condition the multi-fuel grate can be removed for cleaning.

- 5.1 Remove ashpan, log guard, baffle and firebricks (see preceding sections).
- 5.2 Remove centre grate (see Diagram 7).

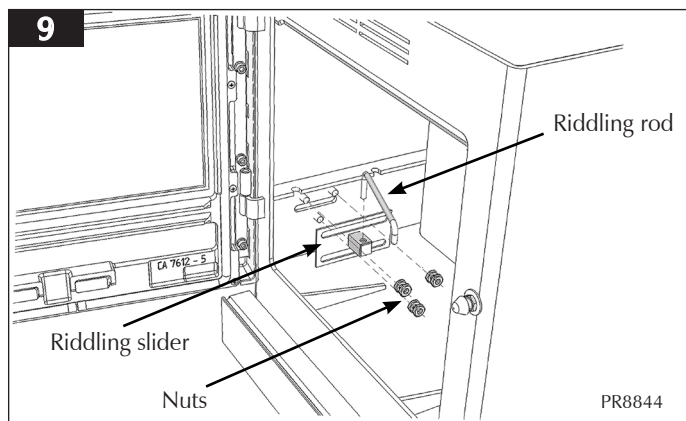


- 5.3 Remove main grate (see Diagram 8).

# INSTALLATION INSTRUCTIONS



5.4 Remove riddling slider and connecting rod by unscrewing the 6 x M8 nuts using a 10mm A/F spanner (see Diagram 9).



5.5 Replace in reverse order.

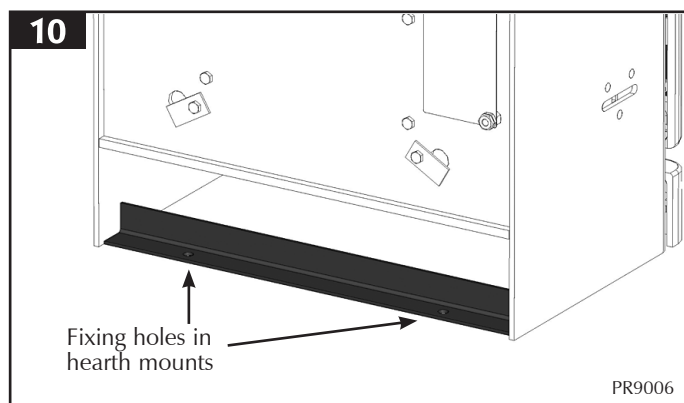
## 6. HEARTH FIXING

6.1 If the appliance is to be fixed to the hearth then use the hearth mount locking tabs shown in Diagram 10.

—Position the appliance where required on the hearth and mark the location of the two fixing holes in the hearth mounts.

—Drill the required sized holes into the hearth.

—Use suitable fasteners to fix in place.



# INSTALLATION INSTRUCTIONS

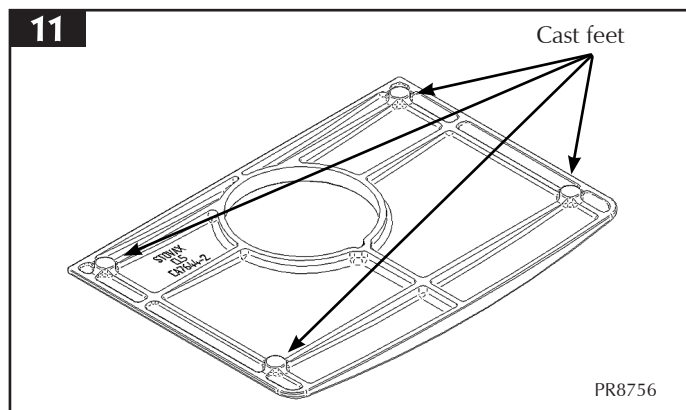
## 7. CAST TOP

This appliance can be fitted with an optional cast top plate. The type of plate will depend on whether the appliance is installed with a top\* or rear flue exit.

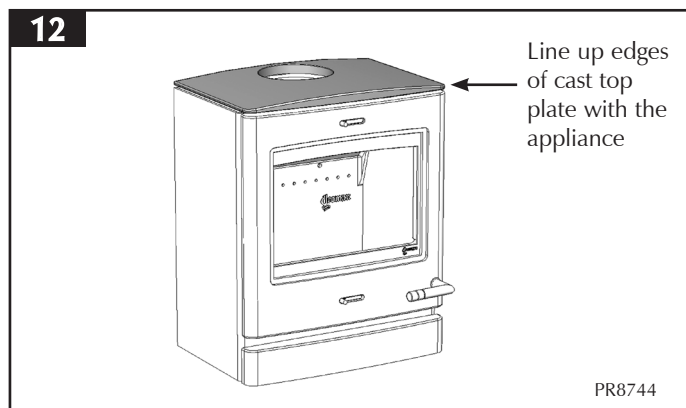
	Top Flue	Rear Flue
Yeoman CL3	YM-CL3CT	YM-CL3CTR
Yeoman CL5	YM-CL5CT	YM-CL5CTR
Yeoman CL8	YM-CL8CT	YM-CL8CTR

\* The cast top must be fitted at the same time as the flue connection (see *Installation Instructions, Sections 1 & 7*).

- 7.1 The cast top plate has 4 silicon feet on the bottom to space it off the top of the appliance by 6mm and allow the door to open freely.



- 7.2 Place the cast top plate feet down on top of the appliance.
- Ensure the cast top is flush with the front and sides of the appliance.
  - For the top flue version, position the cutout over the flue ring.



## 8. CO ALARMS

All open flued appliances can be affected by temporary atmospheric conditions which may allow fumes to enter the house. **Building regulations require that whenever a new or replacement fixed solid fuel or wood/biomass appliance is installed in a dwelling a carbon monoxide alarm must be fitted in the same room as the appliance. Further guidance on the installation of the carbon monoxide alarm is available in the latest edition of BS EN50292 and from the alarm manufacturer's instructions.**

**Provision of an alarm must not be considered a substitute for either installing the appliance correctly or ensuring regular servicing and maintenance of the appliance and chimney system.**

# COMMISSIONING

## COMMISSIONING

### 1.1 To commission:

- Replace the baffle and log guard.
- Check the door alignment and catch operation and adjust if required (see *Maintenance & Servicing, Section 7*).
- Check the soundness of door seals, castings and joints.
- Check the operation of the air controls.

### 1.2 Now carry out a final smoke draw test:

- Warm the flue with a blowlamp, or similar, for about 10 minutes.
- Place a smoke pellet on the centre of the grate, with the air controls open.
- Close the door. Smoke should now be drawn up the flue and be seen to exit from the flue terminal.
- Complete test with all doors and windows closed in the room where the appliance is fitted.
- If there are any extractor fans in adjacent rooms the test must be repeated with the fans running on maximum and with interconnecting doors open.
- Check the effect of ceiling fans during the test.

**If the test fails, re-check the suitability of the flue system and ventilation. An inadequate air supply to the room is potentially dangerous.**

- Light the appliance and slowly increase the temperature.
- Ensure no combustion products enter the room.
- Open the main fire door when the appliance reaches operating temperature and carry out a spillage test with a smoke match or pellet around the door opening.

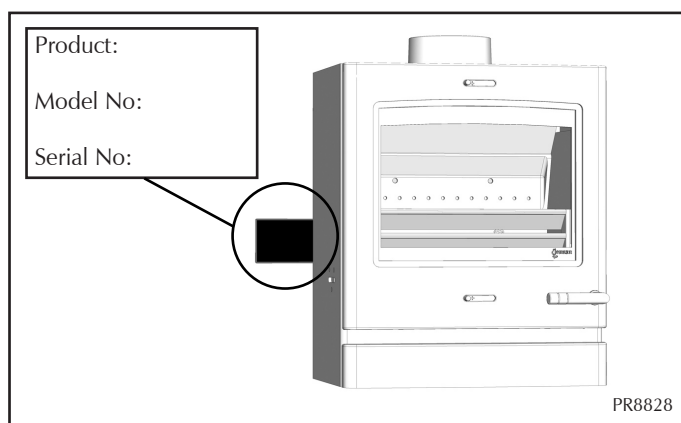
### 1.3 If excessive spillage occurs allow the appliance to cool and re-check the flue system and ventilation.

### 1.4 Finally:

- **Explain to the user the safe operation of the appliance, use of the controls and the importance of only using suitable fuels.**
- **All open flued appliances can be affected by temporary atmospheric conditions which may allow fumes to enter the house. Because of this it is recommended that an electronic carbon monoxide detector conforming to BSEN50291 be fitted and maintained.**

- Explain the cleaning and routine maintenance requirements.
- Explain the requirement to use a suitable fireguard when children, elderly or infirm persons are near the appliance.
- Record retailer/supplier and installer details in *Appliance Commissioning Checklist (page 3, Instructions for Use)*.
- Record serial number in *Appliance Commissioning Checklist (page 3, Instructions for Use)*.

This number is required when ordering spare parts and making warranty claims (see diagram below).



- Give this instruction manual to the customer.



# MAINTENANCE and SERVICING

For a complete list of spare parts and accessories contact your Yeoman retailer or call 01392 474011

## 1. ANNUAL SERVICE

1.1 Before the start of the heating season strip, inspect and clean the appliance as detailed:

- Allow appliance to cool.
- Remove all internal parts: baffle, log guard and, for multi-fuel versions, grate system and ashpan (see *Installation Instructions, Sections 2, 3, 4, 5*). Take care handling firebricks as they can become fragile after a period of use.
- Sweep the appliance at this point if necessary.
- Vacuum clean any remaining ash and debris from the inside of the appliance. Stovax offer a filter/ collection attachment for vacuum cleaners to protect them from fire ash: Ash Clean (Stovax Part No. 2091).
- Clean the internal surfaces of the appliance using a wire brush and scraper as required. Vacuum and brush the resulting debris from the appliance.
- Clean the grate parts with a wire brush, and check the parts for any damage. Replace any damaged parts using genuine Stovax replacements parts (see below for details).
- Check and clean the firebricks with a soft brush. Some surface damage will occur during use. The life of the bricks will depend on the type of fuels burnt and the level of use. **Replace damaged bricks as soon as possible.**
- Re-fit cleaned internal parts.
- Remove glass from door, discard all old rope seals and fit new (see *Maintenance and Servicing, Section 5*).
- Clean the door glass using Stovax Glass Cleaner and a soft cloth.
- **Do not use cleaning agents that have a high alkaline content, for example Stovax Gel Cleaner, on appliances with painted glass such as the Studio, View or CL. These are abrasive cleaning agents that are designed to be used with heavily stained clear glass. Use Stovax Glass Cleaner (Stovax No.4103) on more delicate surfaces.**
- **Do not use acidic cleaners on printed glass.**
- Fit new door rope seal (see *Maintenance and Servicing, Section 6*).
- Lightly oil the door catch mechanism and hinge pins. Avoid getting oil onto the door seals and glass.

— To refresh painted finishes use Stovax Riva Midnight black paint.

1.2 Use genuine Stovax replacement parts to keep the appliance in safe, efficient working order. This is a list of the maintenance products that may need be required:

This is a list of the maintenance products you may need to use:

Task	Product name	Stovax Code Number
Glass cleaning	Stove glass cleaner (spray on)	4103
Preventing build-up of creosote in flue	Protector (15 sachets)	7002
	Protector (1kg tub)	7025
Sealing flue pipe joints	Fire Cement (500g tub)	2020
	Fire Cement (600g cartridge)	2021
Re-painting	Riva Midnight Black (150ml aerosol)	RVAC011
Protecting your hands	Heat resistant leather gloves	YM-E00007
Ash Clean	Vacuum Cleaner Attachment	2091
Thermic seal glue	(50ml bottle)	5037
Door sealing rope	14mm Black rope seal (handy pack)	5000
	14mm Black rope seal (25m reel)	4670H
Glass sealing rope	15mm x 2mm x 2m	4950
	15mm x 2mm x 25m	4954
Mid door sealing rope	15mm x 2mm x 2m	4952
	15mm x 2mm x 25m	4957

These products, available from your local Yeoman retailer, along with regular maintenance and use of correct fuels, will keep the appliance in the best possible condition.

1.3 For more information about the Yeoman products please visit our web site at [www.yeoman-stoves.co.uk](http://www.yeoman-stoves.co.uk)

1.4 Burn at a low temperature for the first day of use after any maintenance. This allows the seals, fixing glues and paint to fully cure.

# MAINTENANCE and SERVICING

1.5 During this time the appliance may give off some unpleasant odours. Keep the room well ventilated to avoid a build-up of fumes.

1.6 Your Yeoman retailer can carry out service and maintenance.

## 2. REMOVAL OF THE LOG GUARD

2.1 To remove the Log guard:

— Lift Log Guard clear of the supporting brackets.

— Rotate to clear the sides of the door opening.

**Do not use appliance without the log guard in position.**

## 3. FITTING AND REMOVAL OF FIREBRICKS

3.1 See *Installation Instructions, Section 3.*

## 4. FITTING AND REMOVAL OF BAFFLE

4.1 See *Installation Instructions, Section 4.*

4.2 It is important to remove and clean the Baffle system to ensure the flue ways are clear of soot and debris and to ensure the safe and efficient operation of the stove. The frequency of cleaning depends on the stove operating conditions.

4.3 The baffle system is designed to give safe and efficient operation of the stove. Replace any damaged baffle immediately.

4.4 Do not modify the baffle system.

## 5. FITTING A NEW DOOR GLASS

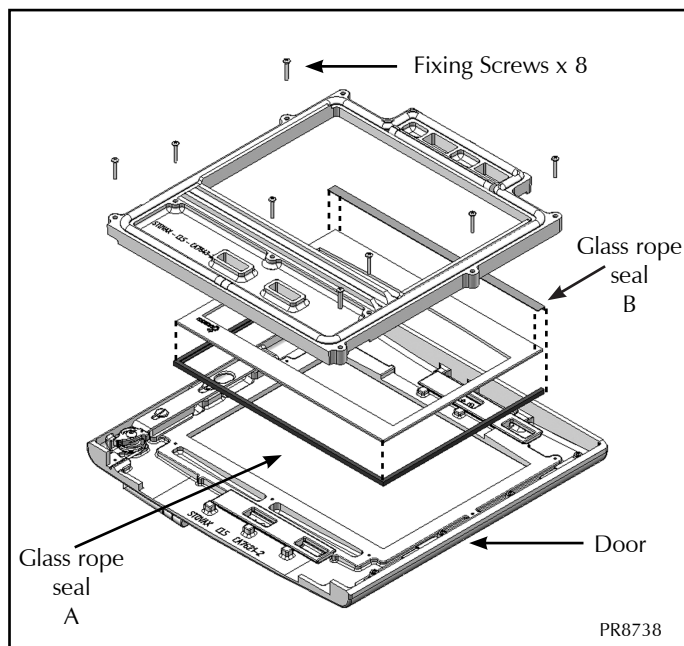
5.1 To maintain safe use of the appliance damaged door glass must be replaced immediately. To do this:

— Open door and lift free of hinge blocks.

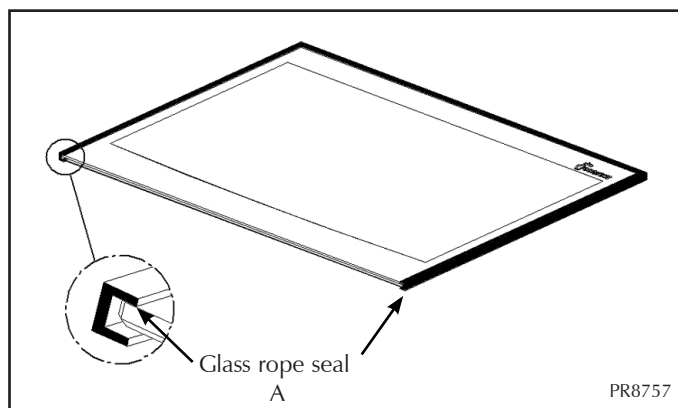
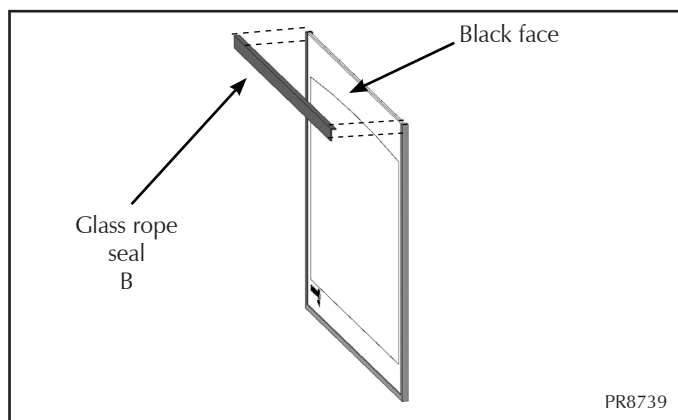
— Lay door face down on a soft flat surface to protect the paintwork and glass.

— Remove the glass clamp and screws x 8. The old glass can then be lifted clear of the door. **Note how the sealing rope is placed around the glass.**

**Dispose of the old glass safely.**



Seal	Length (mm)		
	Yeoman CL3	Yeoman CL5	Yeoman CL8
Glass rope seal A	930	1025	1220
Glass rope seal B	255	340	460



# MAINTENANCE and SERVICING

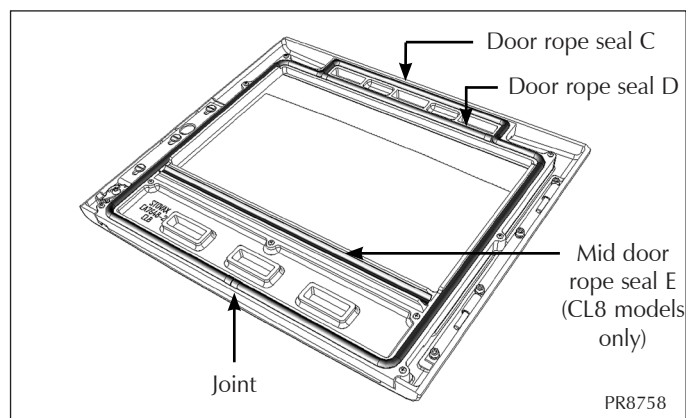
- Clean, and re-paint, the rear of the door if required.
- Clean the screws with light oil.
- Coat with high temperature anti-seize grease to aid future removal.
- Carefully wrap glass sealing rope (A) round the sides and bottom edge of the glass.
- Fix glass sealing rope (B) to the matt black side of the top face as shown in diagram above.
- Place the glass into position in the door.
- Place the glass clamp into position.
- Re-fix with the clean fixing screws.
- Tighten the screws evenly until the clamp holds the glass.

**Do not over tighten the clamp as this could break the glass.**

- 5.2 Fit only Yeoman ceramic glass, which is suitable to use in high temperature applications.
- 5.3 Using the appliance with damaged door glass could allow dangerous fumes to enter the room, or the appliance to over-fire and cause damage.

## 6. FITTING A NEW DOOR SEAL

- 6.1 To maintain the safe use of your appliance you may need to replace a damaged or worn door sealing rope. To do this:
- Open the door.
  - Lift it free of the hinge blocks.
  - Lie the door face down on a soft flat surface, to protect the paintwork and glass.



Seal	Length (mm)		
	Yeoman CL3	Yeoman CL5	Yeoman CL8
Door rope seal C	1400	1600	2300
Door rope seal D	175	175	410
Mid door rope seal E (CL8 models only)	n/a	n/a	450

- Remove the old rope.
  - Scrape old glue from the locating groove.
  - Clean the locating groove with a clean dry cloth removing all dust and debris.
  - Apply Stovax Thermic Seal glue (Stovax Part No. 5037) into the rope locating groove.
  - Press the new rope into the locating groove, placing the joint in the middle of the lower edge of the door.
  - Refit the door.
  - Close to apply pressure on the new rope.
- 6.2 Leave the appliance closed for at least 12 hours before lighting the stove.
- 6.3 Use at a low temperature for approximately one day.

**Using the stove with a damaged door seal could allow dangerous fumes to enter the room, or the appliance to over-fire and cause damage.**

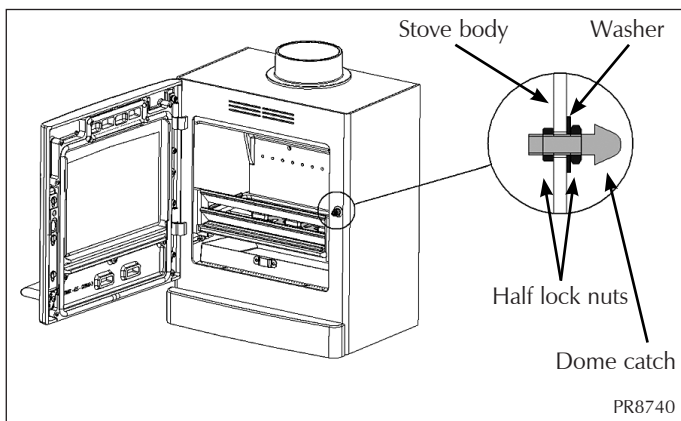
# MAINTENANCE and SERVICING

## 7. ADJUSTING DOOR CATCH & HINGES

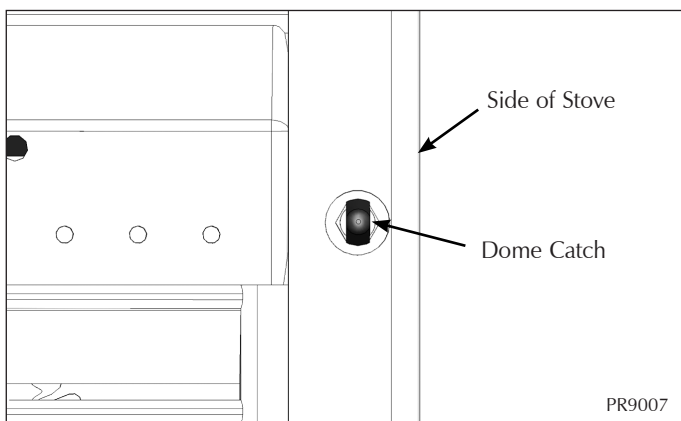
7.1 To maintain the safe use of your appliance, you may need to adjust the door hinges to ensure the door closes safely and correctly.

7.2 To adjust the **door catch**:

- Open the door to gain access to the catch.
- Use a 13mm A/F spanner to loosen the half lock nuts either side of the appliance body. This will allow the dome catch to rotate in and out (see diagram below).



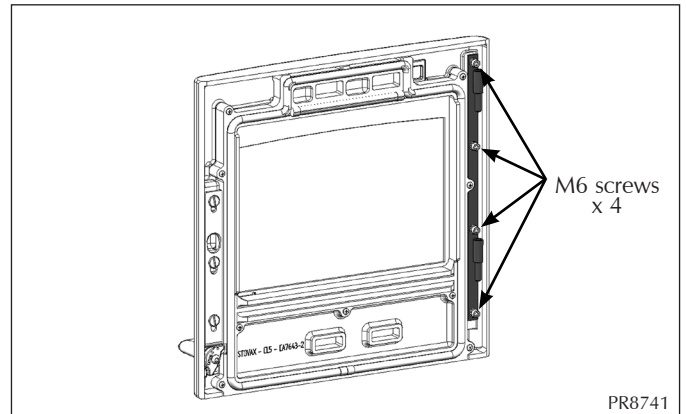
- Ensure the dome catch is in an upright position with the flat sides parallel with the side of the stove (see diagram below).



- Once the desired setting has been achieved ensure the lock nuts are tightened against the appliance body.

7.3 To adjust the **door hinge plate assembly**:

- Open door and lift free of hinge plate.
- Lay the door face down on a soft, flat surface, to protect the paintwork and glass.

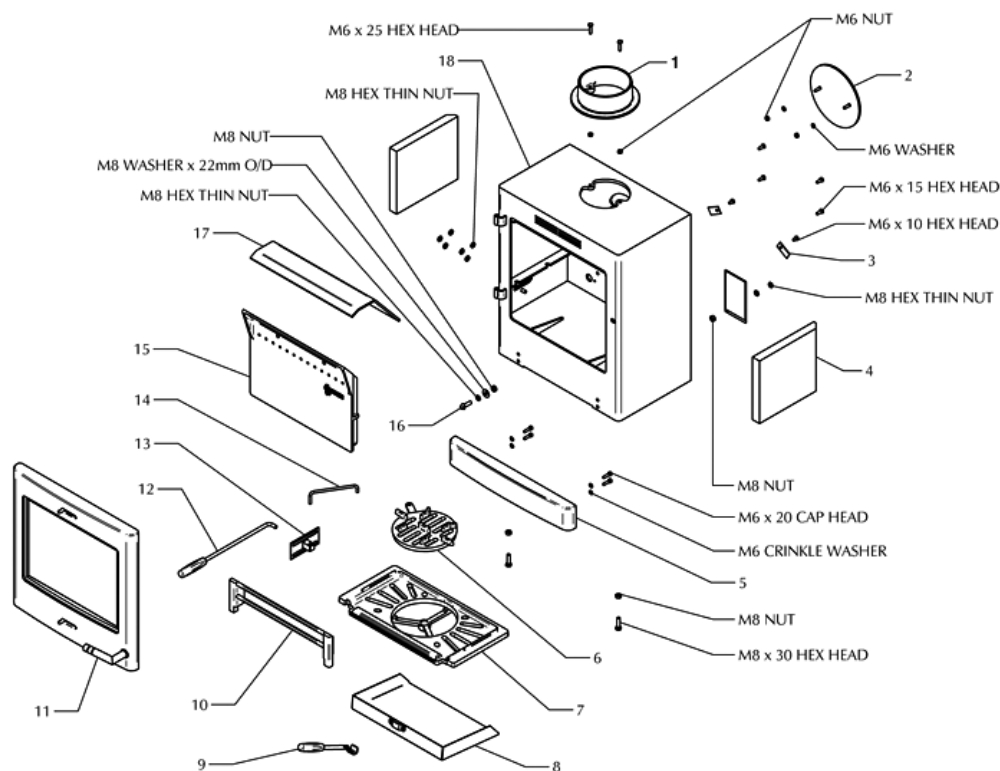


- Use an M6 hexagon key to loosen the 4 x M6 screws.

The hinge plate assembly is slotted so it can be moved up, down and sideways by approximately 3mm to adjust the position of the door in relation to the appliance.

- Once the desired position has been achieved ensure the screws are firmly tightened against the hinge plate assembly to maintain the position.

# SPARES LIST



YM-CL3MF / YM-CL5MF / YM-CL8MF

PR8689-2

## YM-CL3MF

Ref. No.	Product Code	Drawing No. (if different)	Description
1	CA7668		5" CAST FLUE
2	SS13	MEC7026	5" FLUE BLANK
3	SM15	ME7027	SECONDARY AIR COVER
4	CE7810		FIRE BRICK
5	CA7618		CAST PLINTH FRONT
6	SMN37	CA7050	CENTRE GRATE
7	SMN36	CA7049	MAIN GRATE
8	MEC8818		ASH PAN ASSEMBLY
9	MEC8793		ASH PAN TOOL ASSEMBLY
10	SMN25	CA7031	LOG RETAINER
11	MEC8608		DOOR ASSEMBLY
12	MEC8788		RIDDLING/DOOR TOOL
13	MEC8644		RIDDLING SLIDER ASSEMBLY
14	RA502300		GRATE OPERATING ROD
15	CA7629		CLEANBURN AIR DUCT CASTING
16	ME600599		LATCH SCREW
17	SMN26	RA7117	BAFFLE
18	MEC8607		CARCASS

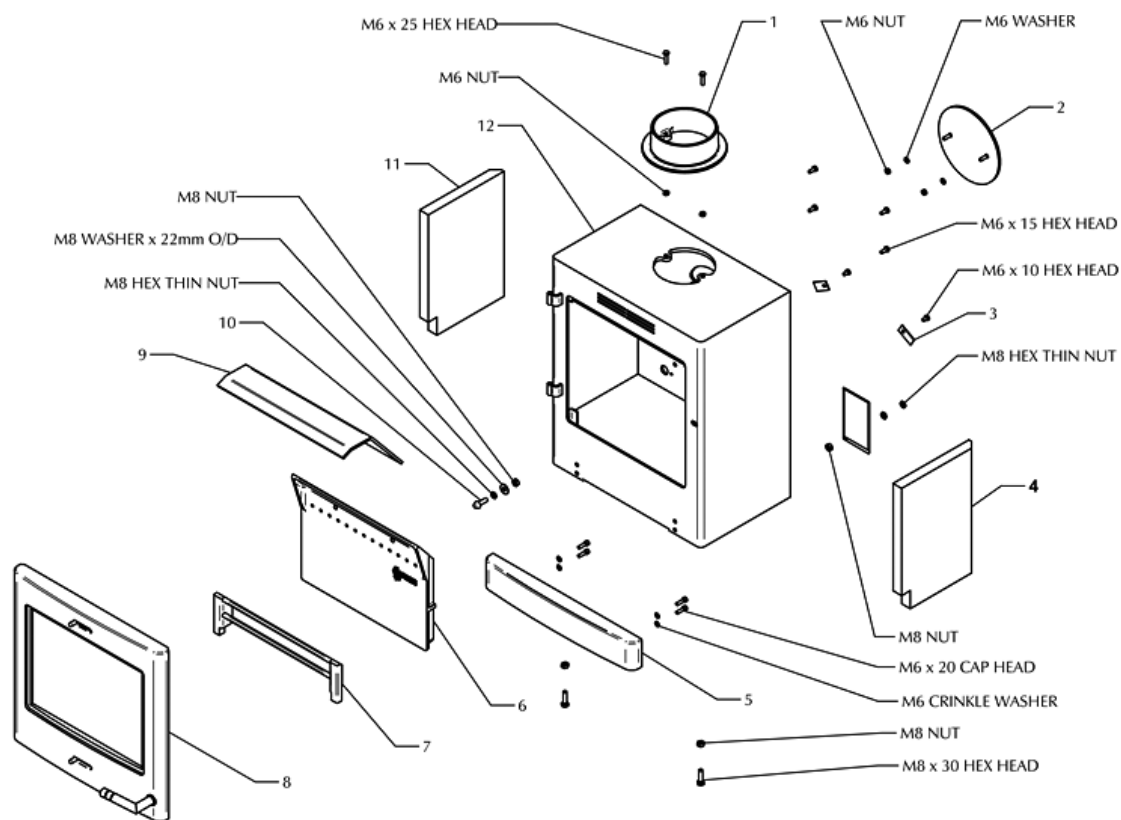
## YM-CL5MF

Ref. No.	Product Code	Drawing No. (if different)	Description
1	CA7668		5" CAST FLUE
2	SS13	MEC7026	5" FLUE BLANK
3	SM15	ME7027	SECONDARY AIR COVER
4	CE7814		FIRE BRICK
5	CA7645		CAST PLINTH FRONT
6	SMN37	CA7050	CENTRE GRATE
7	SS.53CE	CA7180	MAIN GRATE
8	MEC8819		ASH PAN ASSEMBLY
9	MEC8793		ASH PAN TOOL ASSEMBLY
10	CA7664		LOG RETAINER
11	MEC8628		DOOR ASSEMBLY
12	MEC8788		RIDDLING/DOOR TOOL
13	MEC8644		RIDDLING SLIDER ASSEMBLY
14	RA502327		GRATE OPERATING ROD
15	CA7630		CLEANBURN AIR DUCT CASTING
16	ME600599		LATCH SCREW
17	SS.26	RA7239	BAFFLE
18	MEC8635		CARCASS

## YM-CL8MF

Ref. No.	Product Code	Drawing No. (if different)	Description
1	CA7669		6" CAST FLUE
2	SM13	MEC7004	6" FLUE BLANK
3	SM15	ME7027	SECONDARY AIR COVER
4	CE7813		FIRE BRICK
5	CA7651		CAST PLINTH FRONT
6	SMN37	CA7050	CENTRE GRATE
7	SM64CE	CA7179	MAIN GRATE
8	MEC8821		ASH PAN ASSEMBLY
9	MEC8793		ASH PAN TOOL ASSEMBLY
10	SM62	CA7111	LOG RETAINER
11	MEC8620		DOOR ASSEMBLY
12	MEC8788		RIDDLING/DOOR TOOL
13	MEC8644		RIDDLING SLIDER ASSEMBLY
14	RA502357		GRATE OPERATING ROD
15	CA7631		CLEANBURN AIR DUCT CASTING
16	ME600599		LATCH SCREW
17	SM26	RA7024	BAFFLE
18	MEC8624		CARCASS

# SPARES LIST



YM-CL5W / YM-CL8W

PR8691

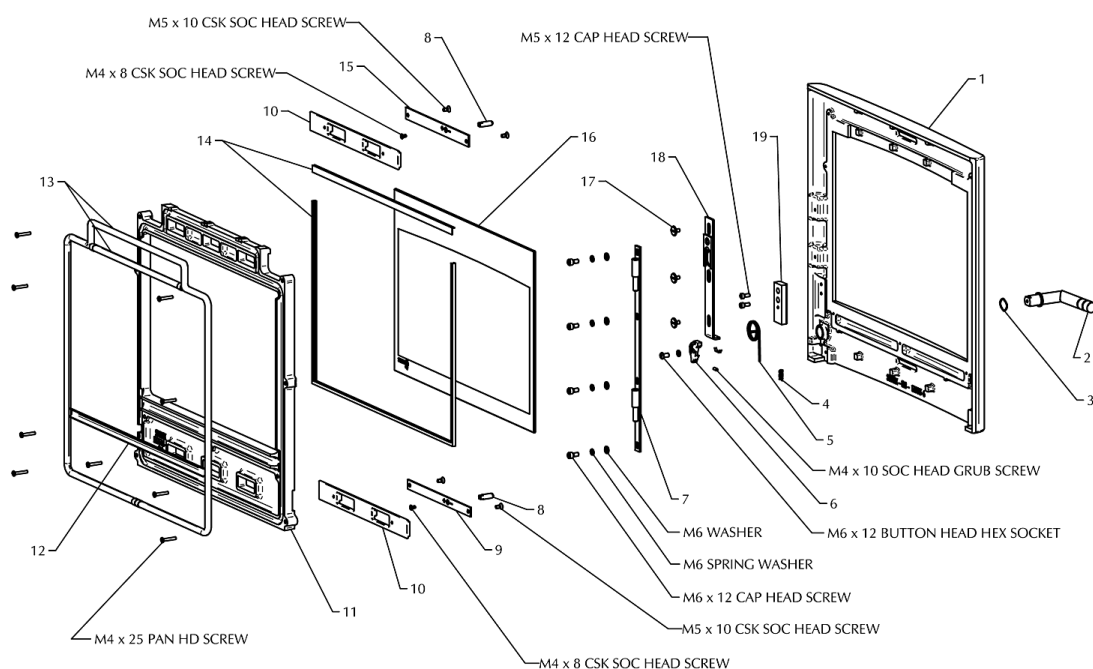
## YM-CL5W

Ref. No.	Product Code	Drawing No. (if different)	Description
1	CA7668		5" CAST FLUE
2	SS13	MEC7026	5" FLUE BLANKING PLATE
3	SM15	ME7027	SECONDARY AIR COVER
4	CE7812		BRICK RIGHT HAND
5	CA7645		PLINTH
6	CA7630		CLEANBURN AIR DUCT CASTING
7	CA7664		LOG RETAINER
8	MEC8628		DOOR ASSEMBLY
9	SS.26	RA7239	BAFFLE
10	ME600599		LATCH SCREW
11	CE7817		BRICK LEFT HAND
12	MEC8782		CARCASS

## YM-CL8W

Ref. No.	Product Code	Drawing No. (if different)	Description
1	CA7669		6" CAST FLUE
2	SM13	MEC7004	6" FLUE BLANKING PLATE
3	SM15	ME7027	SECONDARY AIR COVER
4	CE7815		BRICK RIGHT HAND
5	CA7651		PLINTH
6	CA7631		CLEANBURN AIR DUCT CASTING
7	SM62	CA7111	LOG RETAINER
8	MEC8620		DOOR ASSEMBLY
9	SM26	RA7024	BAFFLE
10	ME600599		LATCH SCREW
11	CE7816		BRICK LEFT HAND
12	MEC8787		CARCASS

# SPARES LIST



MEC8606 / MEC8628 / MEC8620

PR8902

## YM-CL3

Ref. No.	Product Code	Drawing No. (if different)	Description
1	CA7597		CAST DOOR
2	MEC8619		DOOR HANDLE ASSEMBLY
3	FA500024		WAVE SPRING - YRW-0087S17
4	FA9508	FA500016	SPRING 6.1MM O/D X 0.61MM DIAMETER WIRE X 22.2MM LONG
5	FA500025		TORSION SPRING
6	CA7635		DOOR HANDLE CAM
7	MEC8636		HINGE PLATE ASSEMBLY
8	ME600392		AIR CONTROL HANDLE
9	ME600456		PRIMARY AIR SLIDER PLATE
10	CA7634		AIR SLIDER
11	CA7614		GLASS CLAMP
12	N/A		<b>ONLY USED ON CL8 DOOR</b>
13	5000 / 4670	CE7717	ROPE SEAL (BLACK) Ø14MM X 175MM (4670) AVAILABLE IN 2M & 25M
13	5000 / 4670	CE7729	ROPE SEAL (BLACK) Ø14MM X 1400MM (4670) AVAILABLE IN 2M & 25M
14	4950 / 4954	CE7728	SELF ADHESIVE TAPE (BLACK) 15MM X 2MM X 790MM (4954) AVAILABLE IN 2M & 25M
14	4950 / 4954	CE7800	SELF ADHESIVE TAPE (BLACK) 15MM X 2MM X 271MM (4954) AVAILABLE IN 2M & 25M
15	ME600448		AIRWASH SLIDER PLATE
16	CE7704		DOOR GLASS
17	FA9510	ME7702	SHOULDER SCREW
18	MEC8865		CATCH SLIDER ASSEMBLY
19	ME600410		DOOR CATCH BLOCK

## YM-CL5

Ref. No.	Product Code	Drawing No. (if different)	Description
1	CA7621		CAST DOOR
2	MEC8619		DOOR HANDLE ASSEMBLY
3	FA500024		WAVE SPRING - YRW-0087S17
4	FA9508	FA500016	SPRING 6.1MM O/D X 0.61MM DIAMETER WIRE X 22.2MM LONG
5	FA500025		TORSION SPRING
6	CA7635		DOOR HANDLE CAM
7	MEC8636		HINGE PLATE ASSEMBLY
8	ME600392		AIR CONTROL HANDLE
9	ME600456		PRIMARY AIR SLIDER PLATE
10	CA7634		AIR SLIDER
11	CA7643		GLASS CLAMP
12	N/A		<b>ONLY USED ON CL8 DOOR</b>
13	5000 / 4670	CE7717	ROPE SEAL (BLACK) Ø14MM X 175MM (4670) AVAILABLE IN 2M & 25M

## YM-CL5 cont.

Ref. No.	Product Code	Drawing No. (if different)	Description
13	5000 / 4670	CE7776	ROPE SEAL (BLACK) Ø14MM X 1600MM (4670) AVAILABLE IN 2M & 25M
14	4950 / 4954	CE7777	SELF ADHESIVE TAPE (BLACK) 15MM X 2MM X 880MM (4954) AVAILABLE IN 2M & 25M
14	4950 / 4954	CE7801	SELF ADHESIVE TAPE (BLACK) 15MM X 2MM X 346MM (4954) AVAILABLE IN 2M & 25M
15	ME600448		AIRWASH SLIDER PLATE
16	CE7738		DOOR GLASS
17	FA9510	ME7702	SHOULDER SCREW
18	MEC8865		CATCH SLIDER ASSEMBLY
19	ME600410		DOOR CATCH BLOCK

## YM-CL8

Ref. No.	Product Code	Drawing No. (if different)	Description
1	CA7615		CAST DOOR
2	MEC8619		DOOR HANDLE ASSEMBLY
3	FA500024		WAVE SPRING - YRW-0087S17
4	FA9508	FA500016	SPRING 6.1MM O/D X 0.61MM DIAMETER WIRE X 22.2MM LONG
5	FA500025		TORSION SPRING
6	CA7635		DOOR HANDLE CAM
7	MEC8636		HINGE PLATE ASSEMBLY
8	ME600392		AIR CONTROL HANDLE
9	ME600449		PRIMARY AIR SLIDER PLATE
10	CA7649		AIR SLIDER
11	CA7648		GLASS CLAMP
12	4952 / 4957	CE7818	INSULATION TAPE (BLACK) 5MM X 2MM X 450MM (4957) - AVAILABLE IN 2M & 25M
13	5000 / 4670	CE7735	ROPE SEAL (BLACK) Ø14MM X 2300MM (4670) AVAILABLE IN 2M & 25M
13	5000 / 4670	CE7783	ROPE SEAL (BLACK) Ø14MM X 410MM (4670) AVAILABLE IN 2M & 25M
14	4950 / 4954	CE7739	SELF ADHESIVE TAPE (BLACK) 15MM X 2MM X 1110MM (4954) AVAILABLE IN 2M & 25M
14	4950 / 4954	CE7803	SELF ADHESIVE TAPE (BLACK) 15MM X 2MM X 470MM (4954) AVAILABLE IN 2M & 25M
15	ME600457		AIRWASH SLIDER PLATE
16	CE7705		DOOR GLASS
17	FA9510	ME7702	SHOULDER SCREW
18	MEC8865		CATCH SLIDER ASSEMBLY
19	ME600410		DOOR CATCH BLOCK

# SERVICE RECORDS

## 1ST SERVICE

Date of Service:.....

Next Service Due:.....

Signed:.....

Retailer's Stamp/HETAS Registration Number

## 3RD SERVICE

Date of Service:.....

Next Service Due:.....

Signed:.....

Retailer's Stamp/HETAS Registration Number

## 5TH SERVICE

Date of Service:.....

Next Service Due:.....

Signed:.....

Retailer's Stamp/HETAS Registration Number

## 7TH SERVICE

Date of Service:.....

Next Service Due:.....

Signed:.....

Retailer's Stamp/HETAS Registration Number

## 9TH SERVICE

Date of Service:.....

Next Due:.....

Signed:.....

Retailer's Stamp/HETAS Registration Number

## 2ND SERVICE

Date of Service:.....

Next Service Due:.....

Signed:.....

Retailer's Stamp/HETAS Registration Number

## 4TH SERVICE

Date of Service:.....

Next Service Due:.....

Signed:.....

Retailer's Stamp/HETAS Registration Number

## 6TH SERVICE

Date of Service:.....

Next Service Due:.....

Signed:.....

Retailer's Stamp/HETAS Registration Number

## 8TH SERVICE

Date of Service:.....

Next Due:.....

Signed:.....

Retailer's Stamp/HETAS Registration Number

## 10TH SERVICE

Date of Service:.....

Next Service Due:.....

Signed:.....

Retailer's Stamp/HETAS Registration Number



# EC Declaration of Conformity



The undersigned, representing the following :

Manufacturer
<b>Stovax Ltd</b>
Falcon Road, Sowton Industrial Estate Exeter EX2 7LF

Herewith declare that the products :

Description	Product code
CL 3 m/f	YM-CL-3MF
CL 5 m/f	YM-CL-5MF
CL 5 wood	YM-CL-5W
CL 8 m/f	YM-CL-8MF
CL 8 wood	YM-CL-8W

Description of product : CL domestic wood and multifuel heating stove product range

Steel fabricated stove body fitted with cast iron door sets, various canopy and firegrate options. Supplied in various sizes to give a range of heat output options.

are in conformity with the provisions of the following EC Directive(s) when installed in accordance with the installation instructions in the product documentation :

98/106/EEC Construction Products Directive

and the standards referenced below have been applied :

EN 13240 : 2001 Roomheaters fired by solid fuel – Requirements and test methods

Provisions to which the product conforms :

Product : Roomheater fired by solid fuel as covered under the scope of the standards listed.		
Intended use : Space heating in residential buildings.		
Characteristic	Performance	Report
Fire safety	Satisfies	
Emission of combustion products	CL 3 (YM-CL-3MF) CO @ 13% O <sub>2</sub> Wood 0.27% - Briquetted fuel 0.20%	2005 PMC / 173
	CL 5 (YM-CL-5MF / YM-CL-5W) CO @ 13% O <sub>2</sub> Wood 0.22% - Briquetted fuel 0.29%	2005 PMC / 175
	CL 8 (YM-CL-8MF / YM-CL-8W) CO @ 13% O <sub>2</sub> Wood 0.08% - Briquetted fuel 0.25%	2005 PMC / 179
Release of dangerous substance	None	
Surface temperature	Satisfies	
Mechanical resistance (to carry a chimney/flue)	Maximum weight to be supported 25Kg	
Thermal output / Efficiency	CL 3 (YM-CL-3MF) Wood 3.75Kw @ 77% - Briquetted fuel 3.75Kw @ 86%	2005 PMC / 173
	CL 5 (YM-CL-5MF / YM-CL-5W) Wood 5.00Kw @ 80% - Briquetted fuel 5.00Kw @ 85%	2005 PMC / 175
	CL 8 (YM-CL-8MF / YM-CL-8W) Wood 8.00Kw @ 76% - Briquetted fuel 8.00Kw @ 81%	2005 PMC / 179

Test laboratory : 1641

Name : G.Taylor

Position : Technical Director

Signature :

Date : 06 / 10/ 2010



A division of Stovax Ltd

**Falcon Road, Sowton Industrial Estate, Exeter, Devon, England EX2 7LF**

**Tel: (01392) 474500 Fax: (01392) 219932**

**E-mail: [yeoman@stovax.com](mailto:yeoman@stovax.com) [www.yeoman-stoves.co.uk](http://www.yeoman-stoves.co.uk)**