

# Yeoman

## *Exmoor/Exe/Devon/County*



## Freestanding Stove

### **INSTRUCTIONS FOR USE, INSTALLATION AND SERVICING**

For use in GB & IE (Great Britain and the Republic of Ireland).

This appliance has been certified for use in countries other than those stated. To install this appliance in these countries, it is essential to obtain the translated instructions and in some cases the appliance will require modification. Contact Yeoman for further information.

**Models:** YM-W9001FL / YM-W9001LC / YM-W9001ERFL /  
YM-W9001ERLC / YM-W9101FL / YM-W9101LC / YM-W9101ERFL /  
YM-W9101ERLC / YM-W9102FL / YM-W9102LC / YM-W9102ERFL /  
YM-W9102ERLC / YM-W9201FL / YM-W9201LC / YM-W9201HC /  
YM-W9201ERFL / YM-W9201ERLC / YM-W9201ERHC /  
YM-W9202FL / YM-W9202LC / YM-W9202HC / YM-W9202ERFL /  
YM-W9202ERLC / YM-W9202ERHC / YM-W9301FL / YM-W9301LC /  
YM-W9301HC / YM-W9302FL / YM-W9302LC / YM-W9302HC



### **IMPORTANT**

This appliance will become hot whilst in operation, it is therefore recommended that a suitable guard should be used for the protection of young children, the elderly or infirm. Do not attempt to burn rubbish in this appliance.

Please read these Instructions carefully before installation or use.  
Keep them in a safe place for future reference and when servicing the fire.

The commissioning sheet found on page 3 of these instructions should be completed by the Installer.

## COVERING THE FOLLOWING MODELS:

YM-W9001FL / YM-W9001LC / YM-W9001ERFL / YM-W9001ERLC / YM-W9101FL / YM-W9101LC / YM-W9101ERFL / YM-W9101ERLC / YM-W9102FL / YM-W9102LC / YM-W9102ERFL / YM-W9102ERLC / YM-W9201FL / YM-W9201LC / YM-W9201HC / YM-W9201ERFL / YM-W9201ERLC / YM-W9201ERHC / YM-W9202FL / YM-W9202LC / YM-W9202HC / YM-W9202ERFL / YM-W9202ERLC / YM-W9202ERHC / YM-W9301FL / YM-W9301LC / YM-W9301HC / YM-W9302FL / YM-W9302LC / YM-W9302HC

<b>APPLIANCE COMMISSIONING CHECKLIST</b>	<b>3</b>	<b>COMMISSIONING</b>	<b>23</b>
<b>USER INSTRUCTIONS</b>	<b>4</b>	<b>MAINTENANCE &amp; SERVICING</b>	<b>24</b>
General Points	4	Annual Service	24
Using the Appliance for the first time	5	Removal of Log Guard	25
Recommended Fuels	6	Removal of Fire Brick	25
Lighting the appliance	6	Removal of Baffle	25
Running the appliance	7	Removal of multi-fuel grate	25
Burning Tips	8	Fitting a New Door Glass	25
Ash Removal	9	Fitting a New Door Seal	26
Extended burning	9	Adjusting Door Hinges	26
Over-Firing	9	Adjusting Door Catch	26
Chimney Fire	9		
General Cleaning	10	<b>BASIC SPARE PARTS LIST</b>	<b>27</b>
Cleaning Glass	10	<b>SERVICE RECORDS</b>	<b>28</b>
Chimney Sweeping	10	<b>EC DECLARATION OF CONFORMITY</b>	<b>29</b>
Care of Stove	10		
Seasonal Use	11		
Troubleshooting Tips	11		
<b>INSTALLATION INSTRUCTIONS</b>	<b>12</b>		
Technical Specifications	12		
Standard Features	12		
Packing List	12		
Dimensions	13		
<b>SITE REQUIREMENTS</b>	<b>14</b>		
Flue & Chimney	14		
Flue exit positions	15		
Hearth Dimensions	15		
Walls Next to Hearth	16		
<b>PRE-INSTALLATION</b>	<b>17</b>		
Ventilation	17		
Additional Ventilation	18		
<b>INSTALLATION</b>	<b>19</b>		
Legal Requirements	19		
Installing the Appliance	19		
Rear Flue Installation	19		
Top Flue Installation	20		
Removal of Log Guard	20		
Fitting & Removal of Baffles	21		
Fitting & Removal of Fire Bricks	21		
Fitting Multi-fuel kit to Wood Stove (optional)	21		



This appliance has been approved by HETAS Ltd.

### WARRANTY

Your Stovax/Yeoman retailer will provide you with a Two Year Warranty for your new stove. They also provide a Five Year Casting Warranty for all cast iron stoves and the cast iron door of steel stoves. Full details of these warranties are set out in our Instruction Manuals, which are also available at [www.stovax.com/www.yeoman-stove.co.uk](http://www.stovax.com/www.yeoman-stove.co.uk).

# APPLIANCE COMMISSIONING CHECKLIST

To assist us in any guarantee claim please complete the following information.  
In the unlikely event of a problem, contact your installer or dealer for assistance:

## Dealer appliance was purchased from

Name: .....

Address: .....

.....

Telephone number: .....

## Essential Information - MUST be completed

Date installed: .....

Model description: .....

Serial number: .....

## Installation Engineer

Company name: .....

Address: .....

.....

Telephone number: .....

## Commissioning Checks (to be completed and signed)

Is flue system correct for the appliance      YES       NO

Flue swept and soundness test complete      YES       NO

Smoke test completed on installed appliance      YES       NO

Spillage test completed      YES       NO

Use of appliance and operation of controls explained      YES       NO

Instruction book handed to customer      YES       NO

Clearance to combustible materials checked      YES       NO

Signature: .....      Print name: .....

# USER INSTRUCTIONS

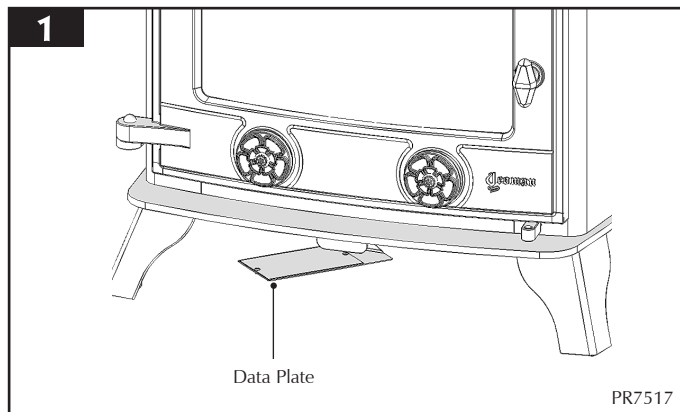
## 1. GENERAL POINTS

- 1.1 **Before use of this appliance please read these instructions fully.**
- 1.2 **All local regulations, including those referring to national and European Standards need to be complied with when installing the appliance.**
- 1.3 Only use for domestic heating in accordance with these operating instructions.
- 1.4 You must burn only approved fuels. Do not use with liquid fuels or as an incinerator.
- 1.5 Appliance surfaces become very hot when in use. Use a suitable fireguard if young children, elderly or infirm persons are present. Stovax offer firescreens, sparkguards and hearthgate systems for protection\*. Your Stovax dealer can advise you about these products.
- 1.6 Do not place photographs, TV's, paintings, porcelain or other combustible items on the wall or near the appliance. Exposure to hot temperatures will cause damage.
- 1.7 Do not place furniture or other items such as drying clothing closer than 1m from the front of this appliance.
- 1.8 Extractor fans or cooker hoods must not be placed in the same room or space as this can cause appliance to emit fumes into the room.
- 1.9 Do not obstruct inside or outside ventilation required for the safe use of this appliance.
- 1.10 Do not make unauthorised changes to the appliance.
- 1.11 The chimney must be swept at least once a year. See Section 13
- 1.12 **Do not connect, or share, the same flue or chimney system with another appliance.**

## SERIAL NUMBER

- 1.13 This number is required when ordering spare parts or making warranty claims. It is found on the **data plate**, located on the underside of the ashlip plate.

\*In the U.K: These products must conform to BS 6539, Fireguards for use with solid fuel appliances. If appliance is operating unattended they must conform to BS 3248

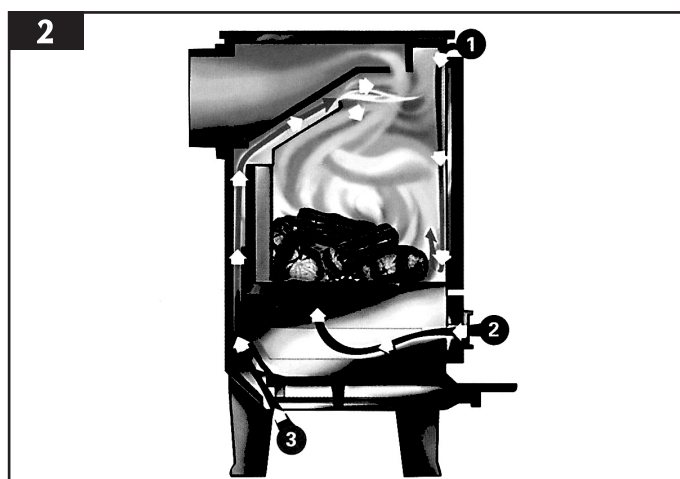


## AIR CONTROLS

### Triple Air System

This appliance has a triple air system providing cleaner burning, and greater efficiency and control, Diagram 2.

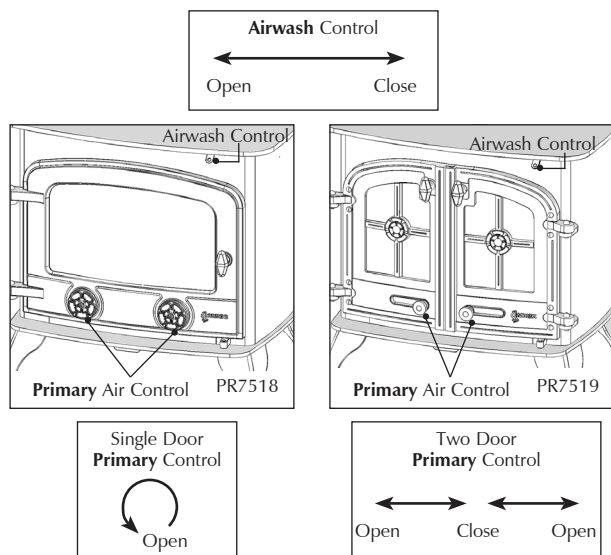
- 1) Airwash - air drawn over the window cleans the glass. The source of Primary Combustion air when burning wood.
- 2) Primary Air - for use with solid fuel and initially with wood fires.
- 3) Secondary air - preheated through a heat exchanger to combust unburned hydrocarbons, providing a cleaner and more efficient burn.



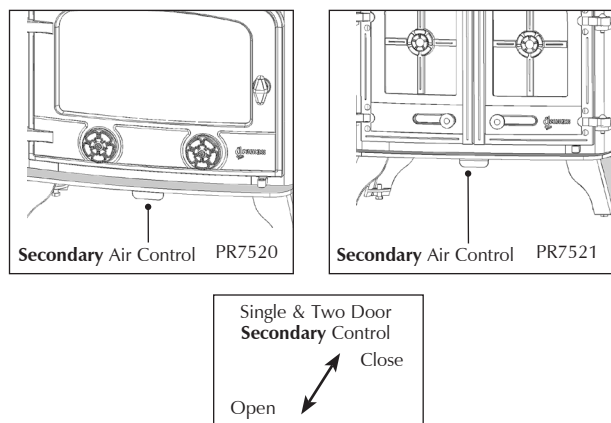
# USER INSTRUCTIONS

## AIRWASH & PRIMARY AIR CONTROLS

- 1.14 Use a gloved hand to operate air controls.  
The opposite end of the door tool can be used to operate Airwash controls.

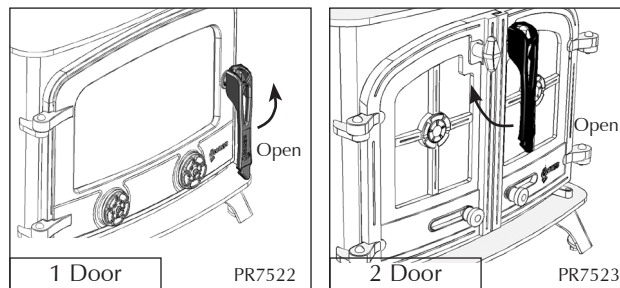


## SECONDARY AIR CONTROLS



## DOOR HANDLE

- 1.15 To Open and Close the door:
- Drop door tool over knob to fit
  - Rotate  $\frac{1}{2}$  turn anti-clockwise to open
  - Rotate  $\frac{1}{2}$  turn clockwise to close
  - Lift up door tool to remove



**DO NOT OPEN THE DOOR WITH BARE HANDS**

- 1.16 To close the door follow the process in reverse.

## WARNING

**Properly installed, operated and maintained this appliance will not emit fumes into the room.**

Occasional fumes from de-ashing and refuelling may occur.

**Persistent fume emission is potentially dangerous and must not be tolerated.**

If fume emission does persist:

- Open doors and windows to ventilate the room
- Leave the room
- Allow fire to burn out or safely dispose of fuel from the appliance
- Check for chimney blockage and clean if required

• Do not attempt to relight until the cause of the emission has been identified and corrected  
If necessary seek expert advice.

• **All open flued appliances can be affected by temporary atmospheric conditions which may allow fumes to enter the house. Because of this it is recommended that an electronic carbon monoxide detector conforming to BSEN50291 be fitted and maintained.**

## 2. USING THE APPLIANCE FOR THE FIRST TIME

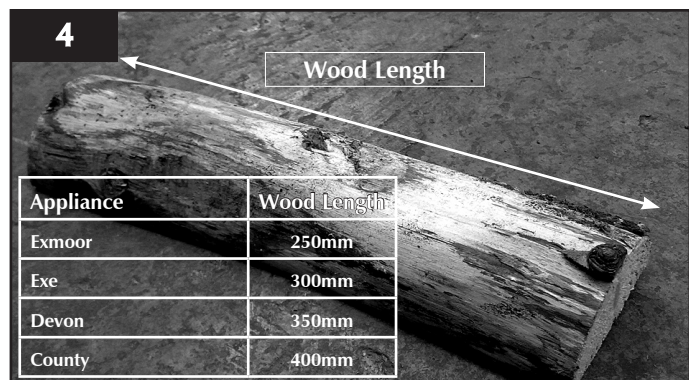
- 2.1 To allow the appliance to settle and fixing glues and paint to fully cure:
- Operate the appliance at a low output for first few days
- 2.2 **Do not touch the paint during the first period of use.**
- 2.3 During this time the appliance may give off some unpleasant odours:
- Keep the room well ventilated to avoid a build-up of fumes

# USER INSTRUCTIONS

## 3. RECOMMENDED FUELS

### 3.1 Wood Logs:

- Burn only seasoned timber with a moisture content of less than 20%



- Dry cut wood for 12 to 18 months before use
- Poor quality timber:
  - Causes low combustion efficiency
  - Produces harmful condensation
  - Reduces effectiveness of the airwash and life of the appliance

**Do not burn construction timber, painted, impregnated / treated wood, manufactured board products or pallet wood.**

### 3.2 Solid fuel:

To burn smokeless fuels it is required to fit a cast iron multi fuel kit. This kit also allows the efficient combustion of wood.

Multi-fuel kit part numbers:

Stove	Part No.
Exmoor	YM-A9040CE
Exe	YM-A9140CE
Devon	YM-A9240CE
County	YM-A9340CE

Only for use with recommended fuels, see **Installation Instructions** for full fitting details.

- Burn only anthracite or manufactured briquette smokeless fuels listed as suitable for use with closed heating appliances

**Do not burn bituminous coal, 'petro-coke' or other petroleum based fuels as this will invalidate the product guarantee.**

\*In the U.K:

- Ring the Solid Fuel Association advice line on 0845 601 4406 for details
- Visit their web site at [www.solidfuel.co.uk](http://www.solidfuel.co.uk)

### 3.3 Fuel consumption.

As tested at nominal heat output to the requirements of EN 13240: 2001 for intermittent operation:

Description	Fuel Consumption	
	Kg/Hour Wood (300mm long)	Kg/Hour Briquette Smokeless Fuel
Exmoor	1.7	0.7
Exe	1.7	0.7
Devon	2.7	1.5
County	3.9	2.1

### 3.4 For advice on suitable solid fuels:\*

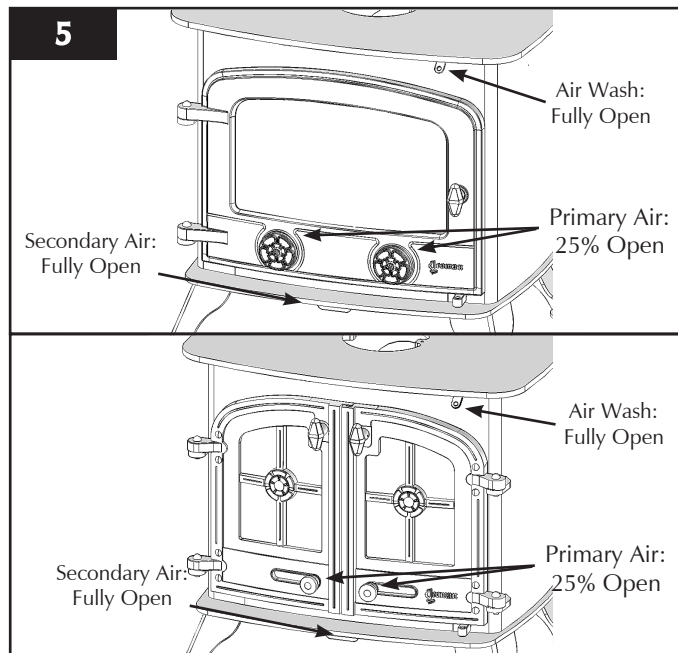
- Contact your local approved coal merchant

A number of factors can affect the performance of the appliance. See Section 6 'Burning Tips' for details.

## 4. LIGHTING THE APPLIANCE

### 4.1 For best results:

- Set air controls, See Diagram 5



- Place firelighters or paper and dry kindling wood on the grate
- Light the paper or firelighters, See Diagram 6

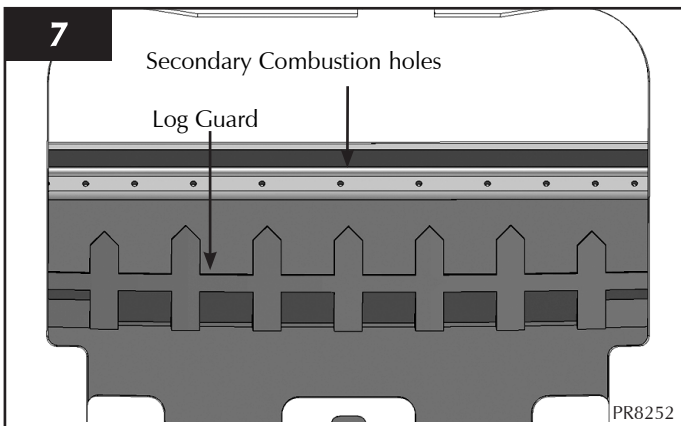


# USER INSTRUCTIONS



- Leave the door slightly open as the fire establishes and the glass warms to avoid the build-up of condensation
- Add larger pieces of wood  
Too many logs may smother the fire.

**Do not load fuel above the log guard and the secondary combustion holes at the back of the firebox.**  
See Diagram 7



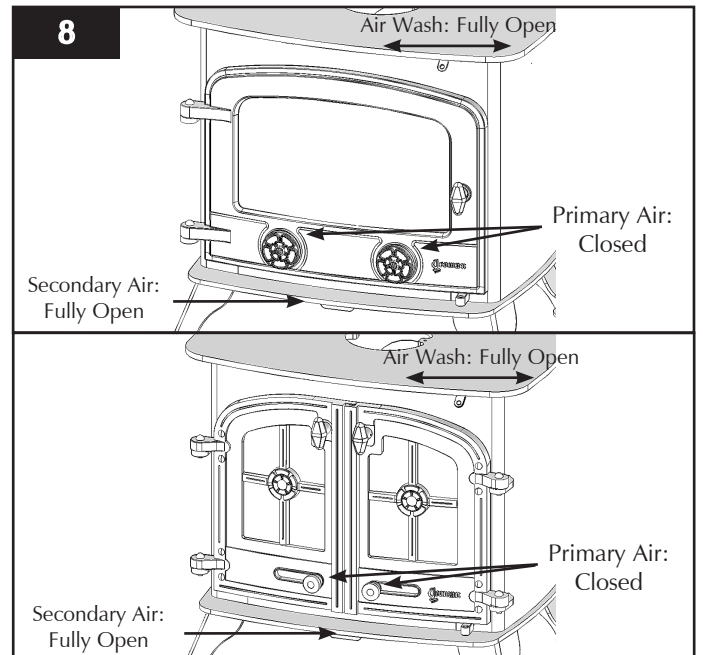
- Close the door

**Do not leave the door open as this could over-fire and damage the appliance.**

## 5. RUNNING THE APPLIANCE

### 5.1 Burning Wood (with or without Multi-fuel kit fitted):

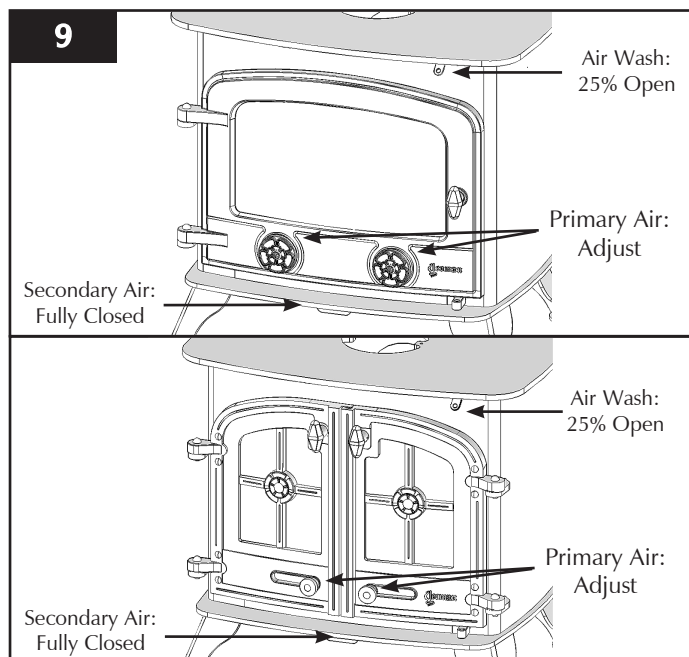
- Leave the Secondary Air fully open
- Close the **Primary air control** and use the **Airwash** to control the burn rate when appliance is at operating temperature, see Diagram 8



- Wood burns best on a bed of ash
- Rake the embers evenly over the fire bed and open the **Airwash control** fully for a few minutes before re-fuelling

- 5.2 Burn new logs at high output for a few minutes before adjusting the **Airwash control**. Refuel little and often for clean, efficient burning.
- 5.3 Experience establishes settings to suit personal preferences.
- 5.4 Do not burn large amounts of fuel with the **Airwash control** closed for long periods of time. This reduces the glass cleaning effect and causes tars and creosotes to build-up in the appliance and flue system.
- 5.5 When in use, burning the appliance at high output for a short period also reduces tars and creosote.
- 5.6 **Burning Solid fuel (with Multi-fuel kit fitted):**
  - Set air controls, See Diagram 9
  - To burn solid fuel efficiently it is best to control the combustion using the **Primary air control** only

# USER INSTRUCTIONS



- 5.7 De-ash the fire bed before re-fuelling, see *Section 7 Ash Removal*.
- Open the **Primary air control** fully to establish a glowing bed before adding new fuel
  - Burn new fuel at high output for a few minutes before adjusting the **Primary air control** to the desired setting
  - Refuel little and often for clean, efficient burning.
- 5.8 Experience establishes control settings to suit personal preferences
- 5.9 Do not burn large amounts of fuel with the **Primary Air Control** on low settings for long periods of time. This reduces the glass cleaning effect of the air wash and causes tars and creosotes to build-up in the appliance and flue system.
- 5.10 When in use, burning the appliance at high output for a short period also reduces tars and creosote.
- 5.11 **You must burn only anthracite or smokeless fuels suitable for use in closed appliances.**
- 5.12 **Do not burn bituminous coal, 'petro-coke' or other petroleum based fuels as this invalidates the product guarantee.**
- Do not load fuel above the log guard and the secondary combustion inlets at the back of the firebox.**  
See Diagram 7

## 6. BURNING TIPS

### 6.1 Fuel Quality (Wood)

Use wood with a moisture content of less than 20%. Seasoned logs have the bark beginning to lift and peel away and cracks radiating from the centre. They feel lighter than fresh cut wood of a similar size and sound hollow when struck against each other. Logs should not feel damp or have moss and fungal growths.

Symptoms related to wet wood:

- Difficulty starting and keeping a fire burning well
- Smoke and small flames
- Dirty glass and/or firebricks
- Rapid creosote build-up in the chimney
- Low heat output
- Short burn times, excessive fuel consumption and blue/grey smoke from the chimney

- Burn at high output at high output for a short period each day to avoid large build-ups of tars and creosote within the appliance and the flue system
- Use Stovax Protector chimney cleaner to reduce this problem

### 6.2 Fuel Quality (Solid Fuel)

- Use recommended solid fuels approved for use with closed appliances.

Symptoms related to unsuitable fuels include:

- Difficulty starting and keeping a fire burning well
- Smoke and small flames
- Dirty glass and/or fire bricks
- Short life span for grate, baffles and internal firebricks
- Permanent staining of glass

### 6.3 Air inlets puffing smoke

Combustion gases build up in the firebox and ignite as small explosions, causing smoke to puff out of the air inlets and other openings. This occurs if the air controls are shut soon after adding new fuel to a very hot fire. Stop by opening the air controls to increase combustion air and burning rate.

### 6.4 Flue Draught

The chimney has two main functions:

- 1) To safely remove the smoke, gases and fumes from the house.
  - 2) To provide a sufficient amount of draught (suction) in the appliance ensuring the fire keeps burning.
- Draught is caused by the rising hot air in the chimney when the appliance is lit.

Symptoms of poor performance related to flue draught include:

- Excessive fuel consumption (high flue draught)
- Poor burning control, overheating (high flue draught)



# USER INSTRUCTIONS

- Wind noise from air controls (high flue draught)
- Difficulty getting a fire going and keeping it burning well (low flue draught)
- Low heat output (low flue draught)
- Smoke entering room when doors opened (low flue draught)

The construction, position, size and height of the chimney all affect the performance of the flue draught.

Other factors effecting the flue draught include:

- Trees or other buildings nearby causing turbulence
- High and gusty winds
- Outside temperature
- Outside weather conditions
- Incorrect additional ventilation to building
- Blocked flue / chimney

For advice on the correction of persistent flue problems consult a qualified solid fuel heating engineer before continuing to use the appliance.

## 6.5 Weather conditions

The weather conditions outside the building can effect the burning performance of the appliance. These could include:

Weather Conditions	Problem	Effect
Windy days	Buildings/Obstacles cause turbulent air around chimney.	Smoky Appliance
Calm days	Oversized Chimney.	Smoky Appliance
Damp / Rainy days	Flue temperature not hot enough. Rain water inside chimney.	Lighting and burning problems

To reduce these problems:

- Use good quality kindling wood to start the fire
- Burn initially at a high temperature for a short period
- Fit a rain cowl to the chimney

Your installer should advise you on possible solutions.

If the appliance emits smoke into the room continuously:

- Close the air controls and allow the appliance to go out
- Ventilate the room to clear the fumes
- Leave the room

**Do not re-light the appliance until the problem is solved**

In the U.K:

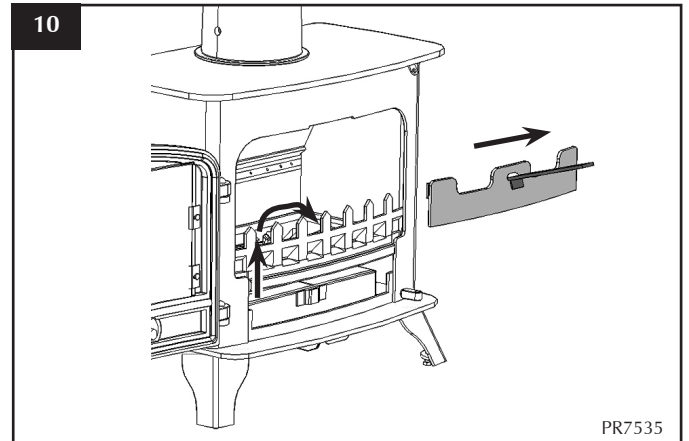
- \* registered with HETAS (GB only)/INFO (Republic of Ireland only)
- \*\* This should be done by a HETAS registered chimney sweep, who will issue you with a certificate.

## 7. ASH REMOVAL

**Do not allow ash to build up in the appliance as it will not burn properly and may cause damage.**

### 7.1 Wood:

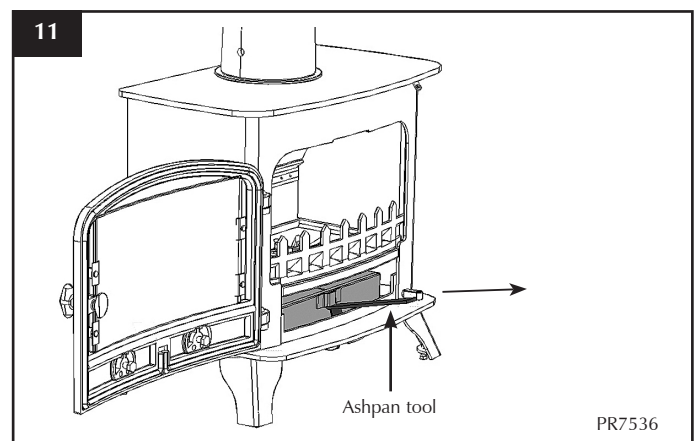
- Open the door
- Remove drop-in front plate, Diagram 10



- Riddle the appliance using a poker or if a multi-fuel kit is fitted move the riddling lever back and forth

- Remove ashpan and empty

**Warning: Heat can remain in the ash long after use.**  
De-Ash at least once a week.



- Leave a thin layer of ash to start a new fire on

### 7.2 Smokeless fuels:

- De-Ash before filling with new fuel
- Do not allow ash to build up on the underside of the grate as this can cause premature failure.**
- Pull the operating knob in and out rigorously using the door handle tool
- Do not use bare hands to operate the riddling system.**

# USER INSTRUCTIONS

- Remove ashpan and empty

**Warning: Heat can remain in the ash long after use.**

- 7.3 Use gloves, or place the ash into a Stovax Ash Caddy (Stovax Part No. 4227)
- 7.4 Do not place hot ash in a bin made from plastic or any other combustible material.

## 8. EXTENDED BURNING

- 8.1 It is possible to get the appliance to burn for extended periods of time.  
In order to do this:
- De-ash prior to final refuelling
  - Set air controls to low combustion settings  
This will blacken the glass over night but it will clear when operated at high output for a short period.
  - Use smokeless fuel or small, thick logs depending on fuel desired

## 9. OVER-FIRING

- 9.1 Do not over-fill with fuel or use at maximum output for long periods or over-firing can occur. If the flue pipe, flue collar or top plate glow red the appliance is over-firing:
- Close the air controls to reduce the output
- 9.2 Over-firing can cause permanent damage to the appliance.

## 10. CHIMNEY FIRE

- 10.1 If a chimney fire occurs:
- Shut all air controls immediately
  - Evacuate the building
  - Call the fire brigade
  - Do not re-enter the building until it is confirmed safe
- 10.2 **Do not use the appliance after a chimney fire until:**
- a) **It has been inspected by a registered installer, confirming the appliance is safe to use\***
- b) The chimney system is inspected and swept by a chimney sweep, confirming the system is structurally sound and free from obstruction before re-use.\*\*

In the U.K:

\* This should be done by a HETAS registered chimney sweep, who will issue you with a certificate.

c) **It is repaired as required before re-use.** Use only genuine Stovax replacement parts to keep your appliance in safe and efficient working order.

## 11. GENERAL CLEANING

- 11.1 Clean and inspect your appliance regularly, especially in periods of heavy use. Regular cleaning and maintenance will help give many years of safe use.
- **Allow appliance to cool thoroughly to avoid risk of burns.**
  - Remove the ash completely, *See Section 7*
  - Check the internal components for damage; grates, bricks and baffles. Do not use the appliance if any parts are broken or damaged
  - Check for obvious build up of soot, any ash or debris above the flue baffle(s). Use a torch if necessary
  - If there are any signs of a build up of debris above the flue baffle(s) either:
    - Arrange for the chimney to be swept, *See Section 13*
    - Remove the baffles and clear the debris, *See Section 3 Installation Section*
  - Check that the door(s) shut properly and creates an effective seal  
Leaking door seals prevent the appliance working properly.

**Do not use aerosol sprays near an operating appliance**

## 12. CLEANING GLASS

- Keep the glass clean with correct use of the Airwash system and good quality fuel  
Sometimes additional cleaning may be required.
- 12.1 This can be done as follows:
- Allow appliance to cool fully  
Do not clean hot glass.
  - Use a soft cloth and Stovax Glass Cleaner
- 12.2 Before re-lighting the appliance:
- Dry the glass fully
- 12.3 **Do not use abrasive cleaner or cleaning pads.**

# USER INSTRUCTIONS

## 13. CHIMNEY SWEEPING

13.1 To maintain safe and efficient use of the appliance the chimney/flue must be inspected and swept at least once a year by a qualified chimney sweep.\*

If the appliance is used continuously throughout the year or it is used to burn wood, more frequent sweeping is recommended.

The best time to have the chimney swept is at the start of the heating season.

The above applies even if burning smokeless fuels.

13.2 The chimney, any connecting flue pipe and the appliance flue ways if incorporated, must be regularly cleaned.

13.3 Ensure adequate access to cleaning doors where it is not possible to sweep through the chimney.

13.4 If the appliance is believed to have previously served an open fire the chimney must be swept a second time within a month of regular use after installation.

## 14. CARE OF STOVE

Stovax has a range of cleaning and maintenance products and accessories to keep your appliance in good working condition. Your Stovax retailer can provide full details but here is a brief list of useful items:

Product Code	Description
5039	Gas lighter
4052	Log basket
3042	Pipe Thermometer
3048	Wood sling - for easy carrying of logs
4027	Extra long protective gloves
5038	Hearthgate - 5 section (for areas 1780x610mm)
4227	Ash caddy - 382x102x306mm
4228	Ash caddy - 446x102x306mm
4229	Ash caddy - 382x102x459mm
4230	Ash caddy - 637x127x408mm
4231	Ash caddy - 306x178x459mm
2091	Ashclean vacuum cleaner attachment
4232	Steel brush

Your retailer can provide genuine spare parts such as replacement glass, door sealing rope and fire bricks when required. An annual service by a competent engineer is recommended to keep your appliance in best possible condition.



## 15. SEASONAL USE

15.1 Clean and service the appliance if it is not used during the warmer periods of the year as detailed in the *Maintenance and Servicing* section

15.2 Set the air controls 50% open to keep the appliance ventilated and stop the build-up of any moisture inside.

15.3 Before re-lighting the appliance:

- Remove the baffles
- Clear any debris that may have accumulated
- Check the flue is clear of any blockages

## 16. TROUBLESHOOTING TIPS

### 16.1 Stove glass blackening:

This has four possible causes:

1. **Incorrect use of airwash** – See Sections 1, 4 and 5 for the correct use of the air controls.
2. **Burning unseasoned wood** – See Section 3 to identify when wood is ready for burning.
3. **Stove operated at too low a temperature** - good working temperature is 300-500° F (120 – 250° C). A stove pipe thermometer can identify this problem (Stovax part no 3046)
  - Burn with the airwash control fully open for approximately 20 minutes to cure this
  - The problem may be caused by damping your appliance down overnight.
4. **Problems with the flue** – in particular insufficient air pull. If the flue is not working efficiently the glass can blacken. A flue which has too much downdraft may be too short or needs lining or has too many bends. This can also cause blackening of your stove glass. Contact the installer or a flue specialist for advice.

### 16.2 Riddling mechanism jamming:

This occurs when fine ash builds up under the riddling mechanism preventing movement. To prevent this:

- Follow a regular cleaning routine for the inside of your appliance

# USER INSTRUCTIONS

- Lift out the riddling mechanism and remove all ash
- Replace riddling mechanism when cleaning is complete

## 16.3 Glass cracking:

Do not over tighten the screws on the glass clips when replacing the glass as this causes stress and the intense temperature changes can cause the glass to crack. For replacement glass contact your local Stovax dealer.

## 16.4 Appliance is producing tar:

This is identified by:

- A very strong pungent smell shortly after the appliance is lit and heats up
- Glass blackening
- Thick, brown and sticky tar oozes from the pipe joints

This is caused by burning damp wood and burning your appliance at too low a temperature;

- Use well seasoned wood and operate the appliance in the ideal temperature range

Tar is a major cause of chimney fires - if you experience problems with tar build up consult a chimney sweep before continued use of your appliance.

**Ideal working temperature** range is 130°C and 240°C (270°F – 465°F). Failing to close down the primary air control once the appliance has heated up to this range may cause the appliance to over-fire and to exceed the ideal temperature range. Over-firing can cause permanent damage to the appliance and invalidates your warranty.

## 16.5 In the unlikely event of a problem that cannot be solved by these tips contact your installer or dealer for help.

# TECHNICAL SPECIFICATION

## YEOMAN EXMOOR/EXE/DEVON/COUNTY

MODEL:			Exmoor	Exe	Devon	County
Exmoor –	Exe –	Devon –				
Exmoor – YM-W9001FL / YM-W9001LC / YM-W9001ERFL / YMW9001ERLC Exe – YM-W9101FL / YM-W9101LC / YM-W9101ERFL / YMW9101ERLC YM-W9102FL / YM-W9102LC / YM-W9102ERFL / YM-W9102ERLC Devon – YM-W9201FL / YM-W9201LC / YM-W9201HC / YM-W9201ERFL / YM-W9201ERLC / YM-W9201ERHC / YM-W9202FL / YM-W9202LC / YM-W9202HC / YM-W9202ERFL / YM-W9202ERLC / YM-W9202ERHC County – YM-W9301FL / YM-W9301LC / YM-W9301HC / YM-W9302FL / YM-W9302LC / YM-W9302HC						
Nominal Heat Output	Wood	kW	4.9	4.9	9	13
	Solid Fuel	kW	4.9	4.9	9	13
Flue Draught at Nominal Heat Output	All fuels	mm Wg	1.25	1.25	1.25	1.25
		inch Wg	0.05	0.05	0.05	0.05
Flue Gas Mass Flow	Wood	g/s	5.8	4.7	4.9	9.5
	Solid Fuel	g/s	3.9	4.8	6.8	7.5
Flue Gas Temperature at Spigot / Socket	Wood	°C	338	394	426	340
	Solid Fuel	°C	338	394	426	326
Flue Outlet Size (Top/Rear Option)		mm	125	150	150	150
		inch	5	6	6	6
Weight		Kg	65	105	112	160
Recommended Fuels	Wood	Seasoned wood (less than 20% moisture content)				
	Solid Fuel	Briquette smokeless fuel suitable for closed appliances (Ancite-Phuracite-Taybrite-Homefire Ovals)				
As tested to the requirements of EN 13240 for intermittent operation						

### STANDARD FEATURES

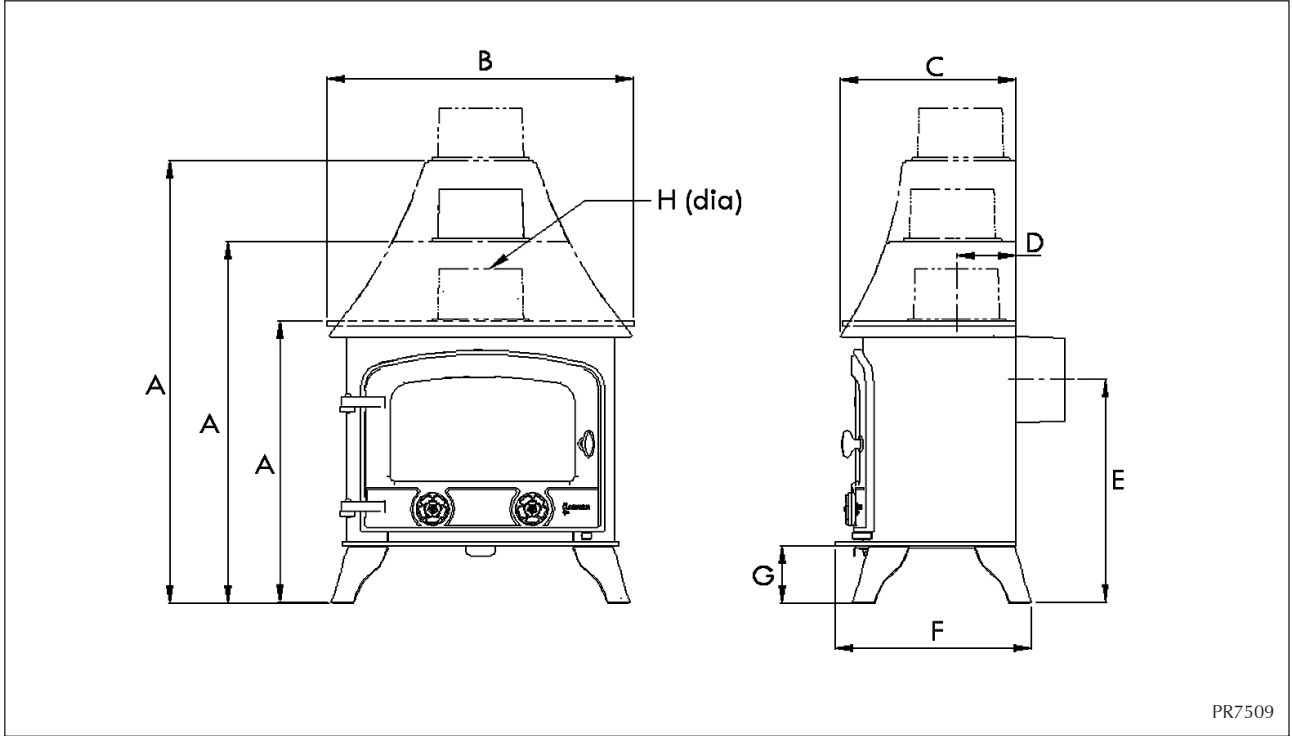
- Primary air (under grate air for full multi-fuel use)
- Airwash (for wood burning / clean glass)
- Adjustable secondary air control (to ensure complete burning of flue gases)
- Riddling grate system for clean de-ashing when fitted with multi-fuel kit (excludes County models)
- Removable door handle tool
- Top or rear flue exit option
- Removable door cross option (2 door only)
- Rose or plain primary air spinners (1 door only)

### PACKING LIST

- Instructions
- Guarantee card
- Pair leather gloves
- Door handle tool
- 2 x Baffle extension tubes
- Cast flue spigot
- Cast flue blank
- Pack of fixings

# SITE REQUIREMENTS

## YEOMAN STOVE DIMENSIONS



PR7509

Description	A	B	C	D	E	F	G	H (dia)
Exmoor FT	523	437	290	100	407	324	89	125
Exmoor LC	667	447	309	100	407	324	89	125
Exe FT	517	595	307	115	402	351	89	150
Exe LC	682	599	319	110	402	351	89	150
Devon FT	565	618	349	118	449	394	115	150
Devon LC	729	599	353	128	449	394	115	150
Devon HC	891	608	353	111	449	394	115	150
County FT	596	748	447	125	471	506	120	150
County LC	812	777	450	145	471	506	120	150
County HC	928	768	452	111	471	506	120	150

All dimensions in mm. (25.4 mm = 1")



# SITE REQUIREMENTS

## 1. FLUE & CHIMNEY

- 1.1 The flue or chimney system must be in good condition. It must be inspected by a competent person and passed for use with the appliance before installation

**Products of combustion entering the room can cause serious health risks.**

- 1.2 You must check the following:

— The construction of the masonry chimneys, flue block chimneys and connecting flue pipe system must meet the requirements of the Building Regulations†

— A flexible flue liner system can be used if certified for use with solid fuel systems and installation complies with manufacturer's instructions and Building Regulations. The flue liner must be replaced when an appliance is replaced unless proven to be recently installed and in good condition.

— If it is necessary to fit a register plate it must conform to the Building Regulations†

— The minimum height of the flue or chimney must be 4.5m from the hearth to the top of the flue, with no horizontal sections, a maximum of 4 bends with angles of less than 45 degrees

— Ensure the connecting flue pipe it kept a suitable distance from any combustible material and does not form part of the supporting structure of the building

— Make provision to remove the appliance without the need to dismantle the chimney

— Any existing flue must be confirmed as suitable for the new intended use as defined in the Building Regulations

— The flue or chimney systems must be inspected and swept to confirm the system is structurally sound and free from obstructions\*\*

— If the chimney is believe to have previously served an open fire the chimney must be swept a second time within a month of regular use after installation to clear any soots falls that may occurred due to difference in combustion levels.

— The flue exit from the building must comply with local building control rules.†

— Do not connect or share the flue or chimney system with another heating appliance

- 1.3 Do not connect to systems containing large voids or over 230mm square.

- 1.4 You must provide suitable access to enable the collection and removal of debris.

- 1.5 You must be able to sweep and inspect the flue when the appliance is installed.

- 1.6 You must check the flue draught with all windows and doors closed and any extraction fans in this or adjoining rooms running at maximum speed. (See next section for additional ventilation requirements)

**Max. Draught = 2.0mm Wg**

**Min. Draught = 1.0mm Wg**

### In the U.K:

\*The design of the flue and chimney systems and products used should meet the requirements of ADJ along with any other relevant, National or European standards that may apply. Products should be specified with regard to the type of appliance, position within the building, fuels to be used and appliance operating temperatures.

\*\* This should be done by a HETAS registered chimney sweep, who will issue you with a certificate.

† Building Regulations Document J

### Flue Plate:

Where a hearth, fireplace, flue or chimney is provided or extended (including cases where a flue is provided as part of refurbishment work), information essential to the correct appliance and use of these should be permanently posted in the building, to meet Requirement J4 of the Building Regulations (England and Wales), F3.12 (Scotland).

† Building Regulations Document J

### Additional:

A new factory made system that complies to EN 1856; Part 1 can be used providing installation is to the requirements of:

- i) BS 7566 Parts 1 -4
- ii) the manufacturer's instructions
- iii) Building Regulations.

For a guide containing information on Chimneys and Flues contact:

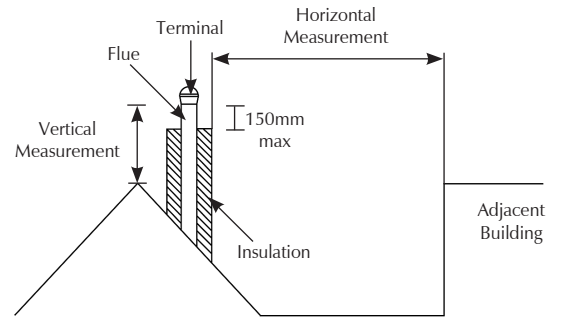
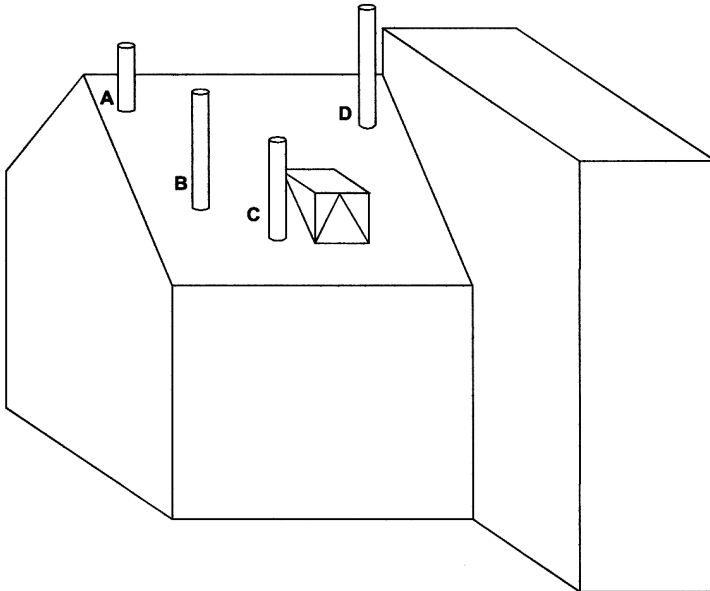
The British Flue & Chimney Manufacturers' Association,  
FETA  
2 Waltham Court  
Milley Lane  
Hare Hatch  
Reading  
Berkshire RG10 9TH

Tel: 0118 9403416

e-mail: info@feta.co.uk

# SITE REQUIREMENTS

## 1. FLUE EXIT POSITIONS

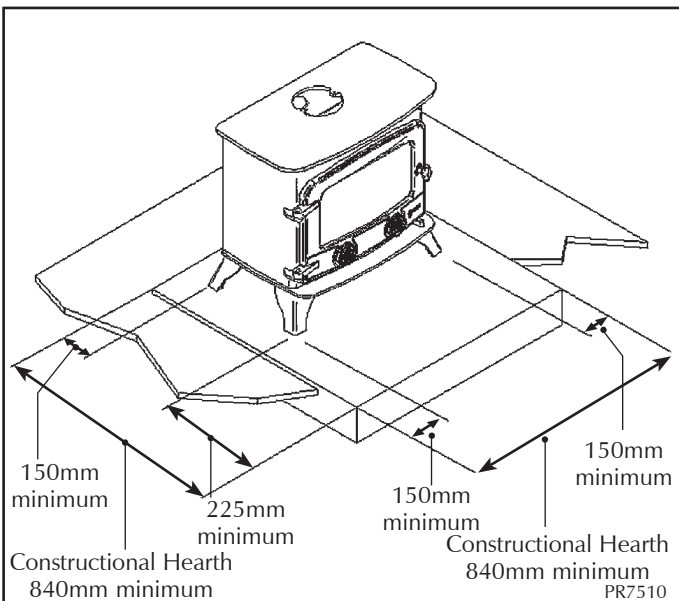


The vertical measurement is the lowest from either the point of discharge or 150mm above insulation.

**IMPORTANT:** Seek specialist advice if installing in a dwelling with a thatched roof

	Position On Roof	Minimum Clearances
A	On ridge or within 600mm	600mm above ridge
B	Elsewhere on roof	2300mm horizontally from roof surface and: a) 1000mm above highest point of flue exit from roof or b) as high as the ridge
C	On pitched, within 2300mm horizontally to openable window, dormer	1000mm above top of opening
D	Within 2300mm of another building	600mm above top of building

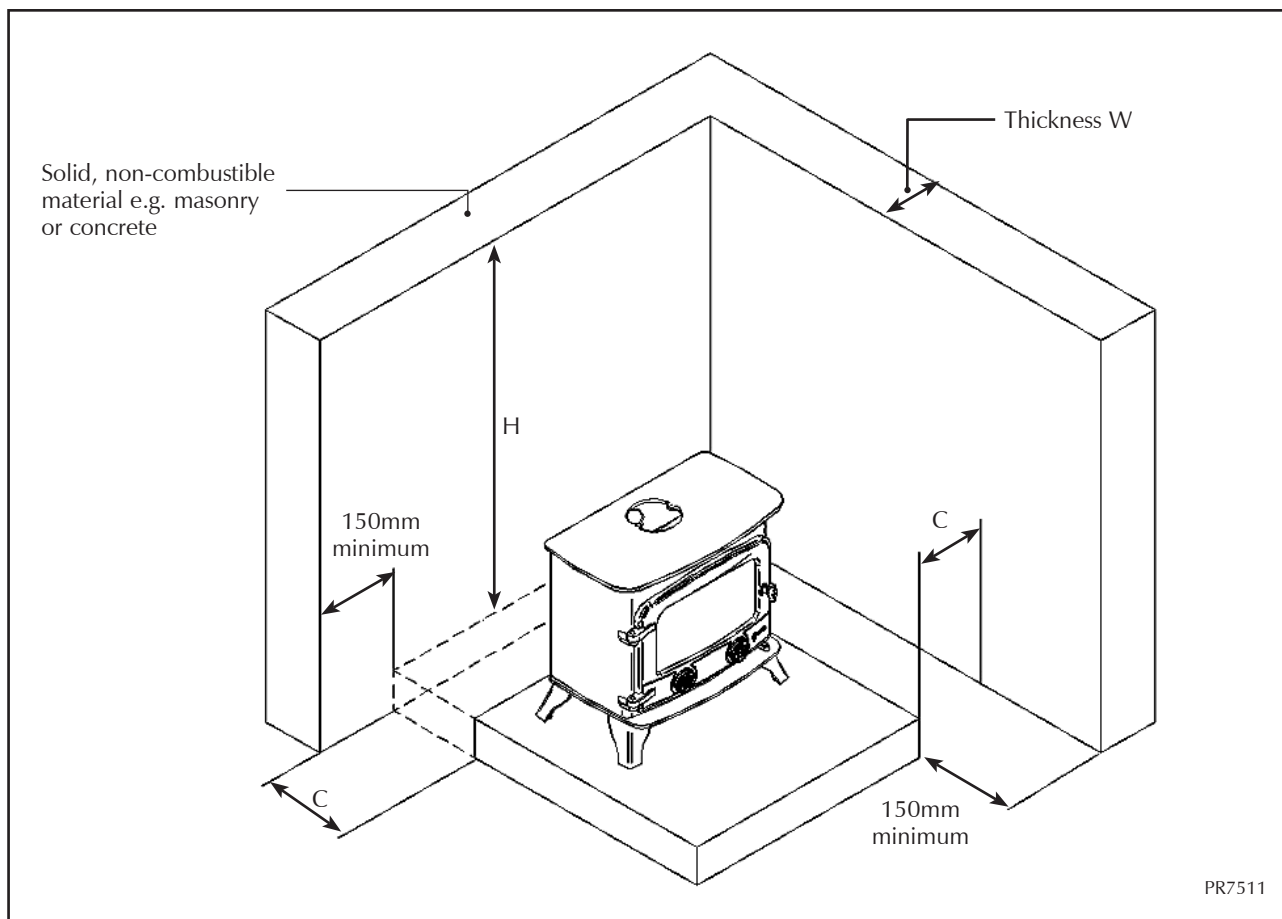
## 2. HEARTH DIMENSIONS



- 2.1 The appliance must stand on a non-combustible constructional hearth which is at least 125mm thick with the minimum dimensions as shown in the diagram opposite.
- 2.2 The building must have a suitable load-bearing capacity for the hearth and appliance.
  - Consult a structural engineer for advice before proceeding
- 2.3 When fitting into an existing hearth check:
  - That the appliance complies with current construction regulations and is at least the minimum sizes shown
- 2.4 If there is no existing fireplace or chimney it is possible to construct a suitable non-combustible housing and hearth setting. The flue must be installed in accordance with all local and national regulations and current rules in force .
  - Check if adding a new chimney to your property requires planning permission

# SITE REQUIREMENTS

## WALLS NEXT TO HEARTH



Position of Appliance & Hearth in relation to walls		Requirement for the walls	
Distance of hearth from wall 'C'	Distance of Appliance to wall	Min thickness of Wall 'W'	Min height of wall 'H'
0mm	0mm - 50mm	200mm	Height of appliance + 300mm Or 1200mm from the hearth (take largest dimension)
0mm	51mm - 300mm	75mm	
0 - 150mm	150mm +	75mm	1200mm
150mm +	300mm +	No Minimum Requirement	

Suitable clearance should be allowed around the stove to enable the correct fitting and maintenance of the appliance.  
Any clearances should be confirmed by making a site survey and a physical check of wall thickness and dimensions.

# PRE-INSTALLATION CHECKS

## 1. FLUES

MODEL:		Exmoor	Exe	Devon	County					
<b>Exmoor</b> –	YM-W9001FL / YM-W9001LC / YM-W9001ERFL / YMW9001ERLC									
<b>Exe</b> –	YM-W9101FL / YM-W9101LC / YM-W9101ERFL / YMW9101ERLC YM-W9102FL / YM-W9102LC / YM-W9102ERFL / YM-W9102ERLC									
<b>Devon</b> –	YM-W9201FL / YM-W9201LC / YM-W9201HC / YM-W9201ERFL / YM-W9201ERLC / YM-W9201ERHC / YM-W9202FL / YM-W9202LC / YM-W9202HC / YM-W9202ERFL / YM-W9202ERLC / YM-W9202ERHC									
<b>County</b> –	YM-W9301FL / YM-W9301LC / YM-W9301HC / YM-W9302FL / YM-W9302LC / YM-W9302HC									
Flue/Chimney Size	Without flue liner Round (diameter)					mm	150	150	150	150
						inch	6	6	6	6
	Without flue liner system Square (diameter)					mm	135	135	135	135
						inch	5½	5½	5½	5½
	With liner or Factory made system (diameter) <small>installed in accordance with manufacturer's instructions</small>					mm	†150	150	150	150
						inch	†6	6	6	6
Flue/Chimney <small>(*minimum height)</small>	All products	metre	4.5	4.5	4.5	4.5				
		feet	15	15	15	15				
* When measured from the top of the stove to the top of the flue, with no horizontal sections and a maximum of 4 bends with angles of less than 45°										
†May be 125mm (5") if only burning low volatiles (smokeless) fuels approved for use in Smoke Control Areas. See web sit <a href="http://uksmokecontrolareas.co.uk">http://uksmokecontrolareas.co.uk</a> for more information about approved fuel										

## 2. ADDITIONAL VENTILATION

2.1 Additional ventilation is required to comply with the requirements of the Building Regulations. This must be provided using a permanently open air vent, of the size listed, which is positioned so that it is not liable to be blocked both inside and outside the building.

2.2 Extractor fans or cooker hoods must not be placed in the same room or space as this can cause the appliance to emit fumes into the room.

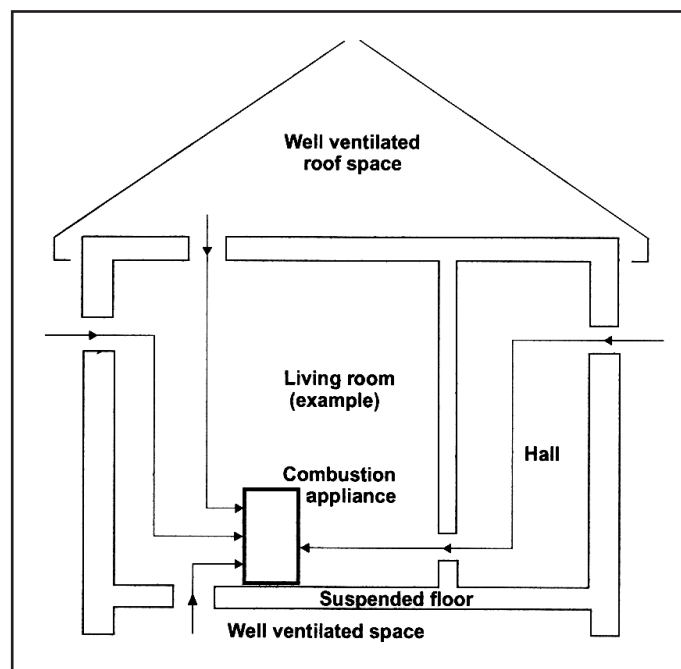
2.3 **If any of these checks reveal problems do not proceed with the fitting of the appliance until they have been rectified.**

MODEL:		Exmoor	Exe	Devon	County				
<b>Exmoor</b> –	YM-W9001FL / YM-W9001LC / YM-W9001ERFL / YMW9001ERLC								
<b>Exe</b> –	YM-W9101FL / YM-W9101LC / YM-W9101ERFL / YMW9101ERLC YM-W9102FL / YM-W9102LC / YM-W9102ERFL / YM-W9102ERLC								
<b>Devon</b> –	YM-W9201FL / YM-W9201LC / YM-W9201HC / YM-W9201ERFL / YM-W9201ERLC / YM-W9201ERHC / YM-W9202FL / YM-W9202LC / YM-W9202HC / YM-W9202ERFL / YM-W9202ERLC / YM-W9202ERHC								
<b>County</b> –	YM-W9301FL / YM-W9301LC / YM-W9301HC / YM-W9302FL / YM-W9302LC / YM-W9302HC								
Additional Ventilation	mm <sup>2</sup>					0	0	2200	4400
	cm <sup>2</sup>					0	0	22	44
	in <sup>2</sup>					0	0	3.41	6.82

# PRE-INSTALLATION CHECKS

## 3. VENTILATION

- 3.1 This appliance requires ventilation to supply combustion air. Any room containing the appliance must have a permanent air vent opening with a total free area of at least  $550\text{mm}^2$  per kW of appliance rated output above 5kW.
- 3.2 Increase air supply provisions where a room contains multiple appliances.
- 3.3 If vents open into adjoining rooms or spaces there must be an air vent of at least the same size direct to the outside.
- 3.4 Permanent air vents should be non-adjustable and positioned where they are unlikely to become blocked.
- 3.5 Site the vents where cold draught is unlikely to cause discomfort. This can be avoided by placing vents near ceilings or close to the appliance, see Diagram opposite.
- 3.6 If the appliance has a nominal input not exceeding 5.0 kW it therefore does not normally require any additional permanent ventilation. If, however, spillage is detected when commissioning the fire, there may be insufficient natural ventilation and additional ventilation may be required.



# INSTALLATION INSTRUCTIONS

## LEGAL REQUIREMENTS

**Before installation of this product please read these instructions fully.**

It is very important to understand the requirements of the national Building Regulations and standards\*, along with any local regulations and working practices that may apply. Should any conflict occur between these instructions and these regulations then the regulations must apply.

Your local Building Control Office can advise regarding the requirements of the regulations.

The appliance must be fitted by a registered installer†, or approved by your local building control officer.

Works must be carried out with care to meet the requirements of Health and Safety‡ and comply with the Health and Safety rules, and any new regulations introduced during the lifetime of these instructions. Particular attention should be drawn to:

- **Handling:** The appliance is heavy. Adequate facilities must be available for loading, unloading and site handling.
- **Fire Cement:** Some fire cement is caustic and must not come into contact with the skin. Protective gloves must be worn. Wash hands thoroughly with plenty of water after contact with skin.
- **Asbestos:** This appliance contains no asbestos. If there is the possibility of disturbing any asbestos in the course of installation seek specialist guidance and use appropriate equipment.
- **Metal Parts:** Take care when installing or servicing the stove to avoid personal injury.

**A faulty installation can cause danger to the inhabitants and structure of the building.**

### For users of this appliance:

Your building insurance company may require you to inform them that you have installed a new heating appliance. Check that your cover is still valid after installing the appliance.

## 1. INSTALLING THE STOVE

Each installation is unique to the property so it is not possible to give details to suit every setting. The installation must comply with Building Regulations and be made using "best practice" construction methods.

Many fireplace openings have a supporting lintel. Do not remove without supporting the remaining structure of the building. **Do not support the structure with the appliance or the flue system.**

In the U.K:

\* England and Wales – Document J / Scotland - Part F / Document J (Republic of Ireland only)

\*\* BS 8303, BS 6461, BS 7566

† Registered body: HETAS (GB only)/INFO (Eire)

‡ Health and Safety at Work Act 1974

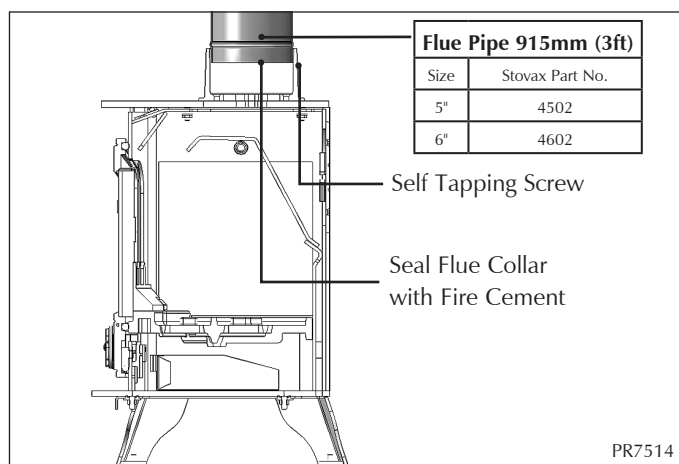
1.1 **Take care when installing the appliance. Careless handling and use of tools can damage the finish and/or area.**

1.2 Lift the stove into position on the prepared hearth area, taking care not to damage the hearth finish.

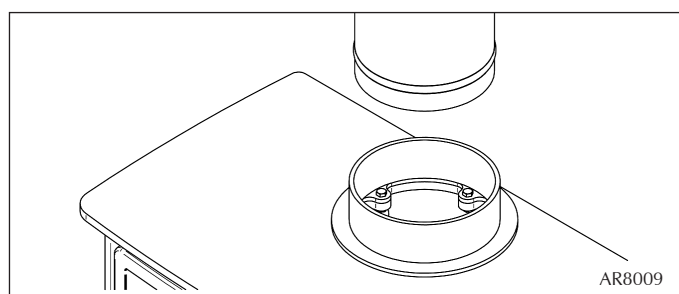
- Choose top or rear flue exit:
  - Fit flue collar and blanking plate to suit
  - Attach flue collar to top or rear with hexagonal bolts
- Note:** The black allen screws should be used to fix the collar/blanking plate visible on the flat top/canopy

- Seal with fire cement if desired
- Secure blanking plate with clamping screws

1.3 **Top flue installation**



- Lift appliance into position  
Take care not to damage the hearth finish.
- Level feet using adjustable bolts
- Connect appliance to the chimney using flue pipe



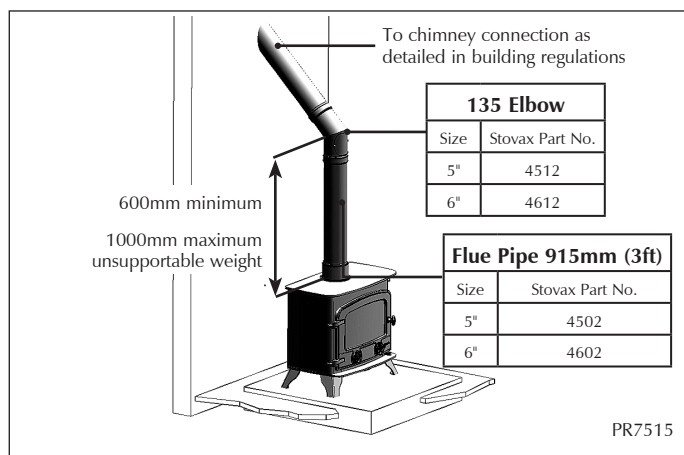
- Secure pipe to flue collar with self tapping screw
- Seal the connecting joints with fire cement

The Flue must be installed in accordance with manufacturers instructions.

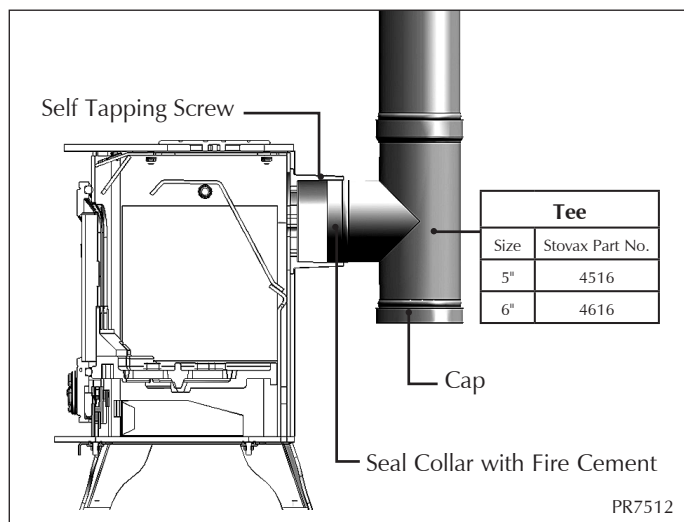


# INSTALLATION INSTRUCTIONS

## Typical Top Flue Installation



### 1.3 Rear flue installation

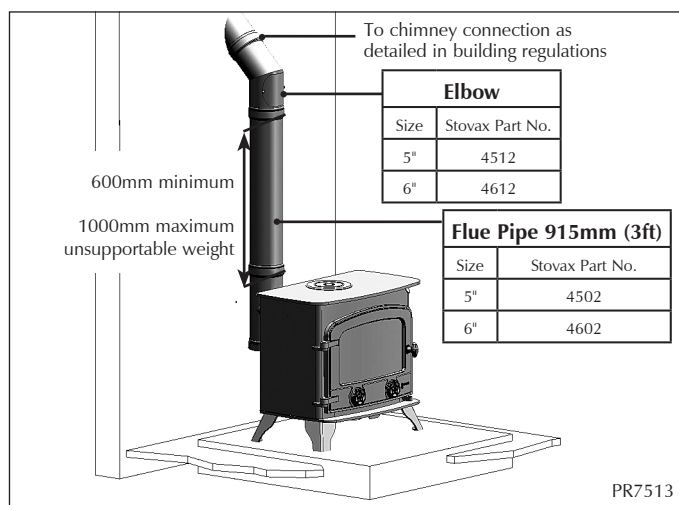


- Insert a tee into the flue collar  
The cap supplied with the tee is used as cleaning access.
- Lift appliance into position  
Take care not to damage the hearth finish.
- Level feet using adjustable bolts
- Connect tee to the chimney using flue pipe
- Secure tee to the flue collar with self tapping screw
- Seal the connecting joints with fire cement

#### Do not use a 90° elbow to make this connection

The Flue must be installed in accordance with manufacturers instructions.

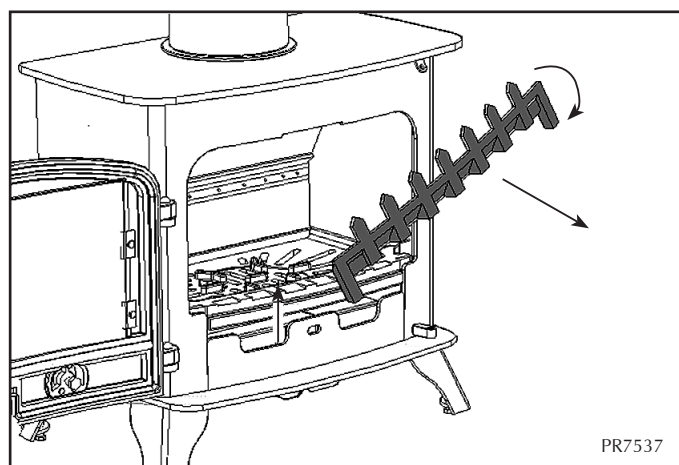
## Typical Rear Flue Installation



## 2. REMOVAL OF THE LOG GUARD

2.1 To remove the Log guard:

- Lift Log Guard clear of the supporting brackets
- Rotate to clear the sides of the door opening.



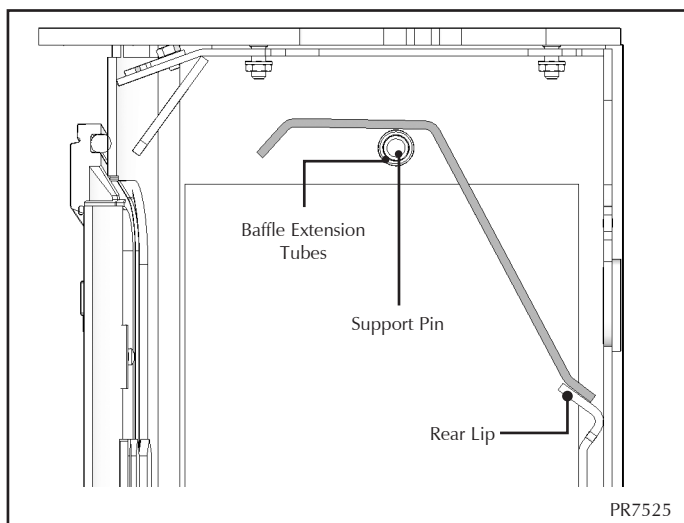
**Do not use appliance without the log guard in position.**

## 3. FITTING & REMOVAL OF THE BAFFLE

3.1 The appliance is fitted with a baffle in the top of the firebox to maintain efficient combustion.

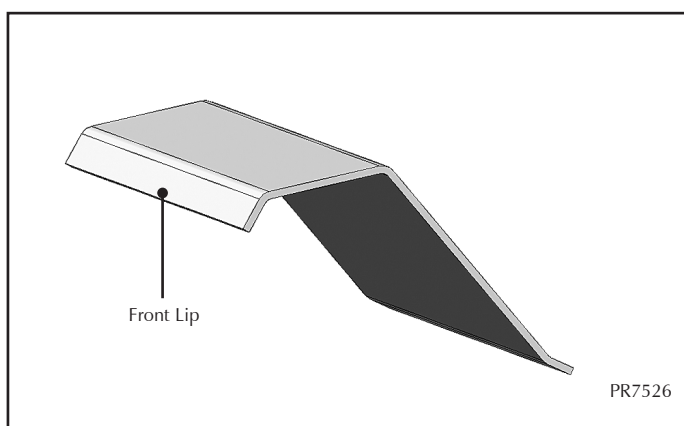
- Allow the appliance to cool fully before removing the baffle system.
- Remove the Log Guard from the appliance to give access to the firebox

# INSTALLATION INSTRUCTIONS



- 3.2 The front lip of the baffle should point downwards.
- Lift the baffle and slide the two baffle extension tubes off of the support pins on the sides of the firebox.

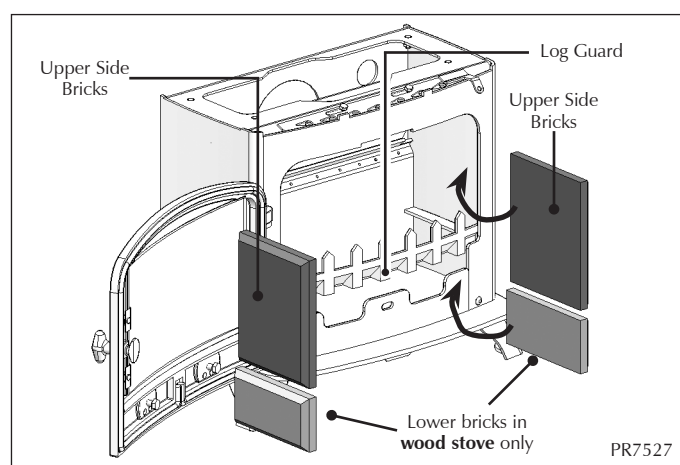
The baffle can now be lifted clear of the support pins and rotated out through the front of the appliance



- 3.3 Do not modify the baffle
- 3.4 Fitting is the reverse of the above  
**IMPORTANT: Ensure the Baffle Extension Tubes are fitted correctly before using the appliance.**

## 4. FITTING AND REMOVAL OF THE FIREBRICKS

- 4.1 Remove the firebricks as part of the routine maintenance. This can be carried out without the use of tools after removing the log bar, drop in front and baffle.
- 4.2 Allow the appliance to cool fully before removing firebricks.
- 4.3 Take care when handling, as bricks can become fragile after use. Life span depends on the type of fuels burnt and the level of use.
- Replace damaged bricks as soon as possible from your dealer
- 4.4 To remove bricks:
- Remove the upper side bricks by sliding out from above the grate supports  
 Wood versions have two lower side bricks. Remove in the same manner as the upper bricks, below the grate supports.
- Note: Chamfers are positioned against the appliance body
- Replace in reverse order



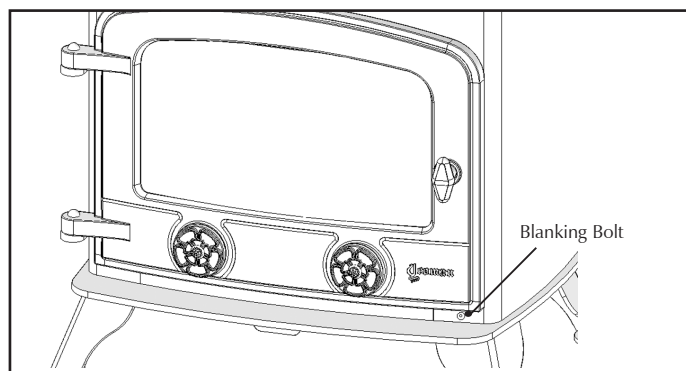
## 5. FITTING & REMOVAL OF THE RIDDLING MECHANISM

Exmoor M/F Kit -	YM-A9040CE fits all Exmoor products
Exe M/F Kit-	YM-A9140CE fits all Exe products
Devon M/F Kit-	YM-A9240CE fits all Devon products
County M/F Kit-	YM-A9340CE fits all County products

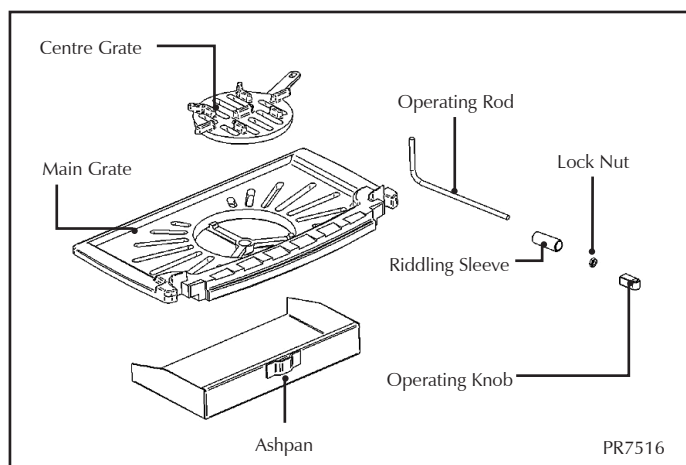
- 5.1 The optional multi-fuel kit enables the burning of manufactured smokeless fuels as listed in User Section, Recommended Fuels.
- Remove the log guard if fitted
  - Remove the drop in front plate

# INSTALLATION INSTRUCTIONS

- Remove the fire bricks
- Remove the blanking bolt that is fitted in the grate operating rod hole  
This is located on the front of the stove near the lower right hand corner of the door (not applicable for County models). To do this loosen the M8 nut on the inside of the stove.



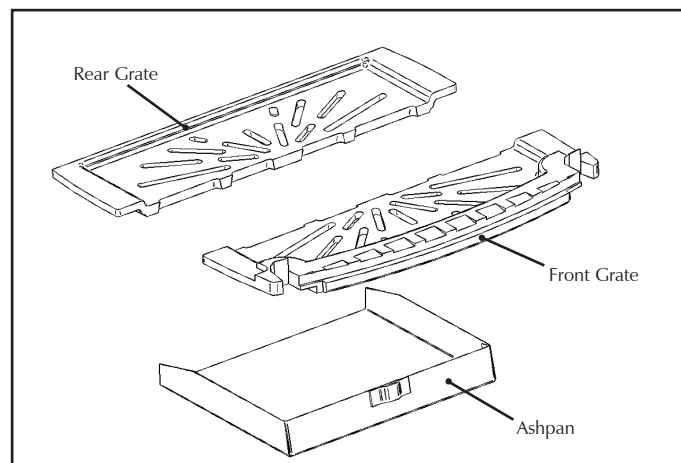
Exmoor, Exe & Devon Models



- 5.2
- Place the main grate into place on the steel runners in the sides of the stove  
Ensure that the grate sits flat on the supports.
  - Remove the operating knob and nut from the end of the rod and fit the operating knob to the centre grate by positioning the rod from inside
  - Slide the riddling sleeve over the rod
  - Feed the operating rod through the hole in the front of the appliance from inside the firebox, while dropping the centre grate into position in the main grate.  
Ensure that the riddling sleeve is located on the boss on the inside of the carcass.
  - Lock into position with the nut, and refit the operating knob on the front face of the appliance
  - Refit the firebricks above the sides of the main grate\*
  - Refit the log guard into slots in the front side of the main grate

- Place the ashpan under the grate
- Refit the drop in front plate
- Check that the door closes and seals correctly

## County Model



- 5.3
- Place the rear grate in position on the steel runners as far back as it will go against the rear steel chamber
  - Place the front grate on the steel runners and locate the back edge against the front edge of the rear grate  
Ensure the grates sit flat on the supports.
  - Refit the firebricks above the grate\*  
The reverse of the process of removal.
  - Refit the log guard into slots in the front sides of the front grate
  - Place the ashpan under the grate
  - Refit the drop in front plate
  - Check that the door closes and seals correctly

**\* Note: The 2 lower firebricks are not required with the riddling kit.**

# COMMISSIONING

## COMMISSIONING

### 1.1 To commission:

- Replace the firebricks, baffle, and log retainer
- Check the door alignment and catch operation, adjust if required, see Maintenance & Servicing Section 8&9. Adjusting Door hinges
- Check the soundness of door seals, castings and joints
- Check the operation of the air controls

### 1.2 Now carry out a final smoke draw test:

- First warm the flue with a blowlamp, or similar, for about 10 minutes
- Place a smoke pellet on the centre of the grate, with the air controls open
- Close the door  
Smoke should now be drawn up the flue and be seen to exit from the flue terminal
- Complete test with all doors and windows closed in the room where the appliance is fitted
- If there are any extractor fans in adjacent rooms, the test must be repeated with the fans running on maximum and interconnecting doors open
- Check the effect of ceiling fans during the test

If the test fails, re-check the suitability of the flue system and ventilation. An inadequate air supply to the room is potentially dangerous.

- Light the appliance and slowly increase the temperature to operating levels
- Ensure no combustion products enter the room
- Open the main fire door when the appliance reaches operating condition and carry out a spillage test with a smoke match or pellet around the door opening

### 1.3 If excessive spillage occurs:

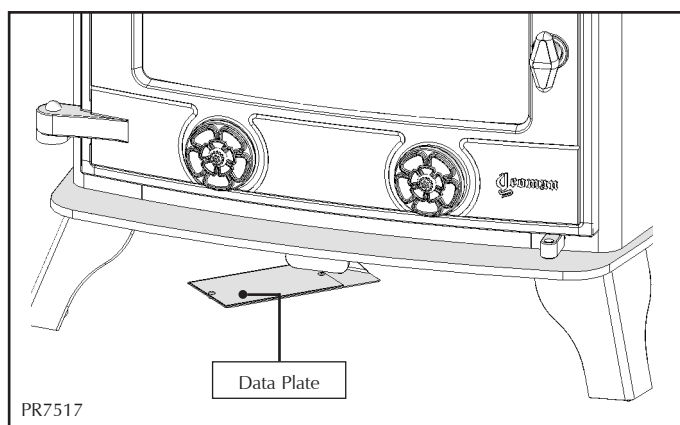
- Allow the appliance to cool and re-check the flue system and ventilation

### 1.4 Finally:

- **Explain the safe operation of the appliance and the use of the controls to the user and the importance of only using suitable fuels**
- **Explain the cleaning and routine maintenance requirements**

- **Explain the requirement to use a suitable fireguard when children, elderly or infirm persons are near the appliance**

- **All open flued appliances can be affected by temporary atmospheric conditions which may allow fumes to enter the house. Because of this it is recommended that an electronic carbon monoxide detector conforming to BSEN50291 be fitted and maintained.**



- **Record dealer/supplier details and installer details in *Instructions***

- **Record serial number in page 3 of *Instructions***  
This number is required when ordering spare parts and making warranty claims

- **Give the copy of the *Instructions* to the customer**

# MAINTENANCE and SERVICING

For a complete list of spare parts and accessories contact your Dealer or call 01392 474011

## 1. ANNUAL SERVICE

1.1 At the end of the heating season strip, inspect and clean the appliance as detailed:

- Allow appliance to cool
- Remove all of the following internal parts; drop in front, log guard, baffle, firebricks. For Multi-fuel versions remove the complete grate and ash pan.

See sections 2 - 5 on how to remove the log bar, baffles, firebricks and grates. Take care handling firebricks, as they can become fragile after a period of use.

- Sweep the appliance at this point if it is required

- Vacuum clean any remaining ash and debris from the inside of the appliance.

Stovax offer a filter/collection attachment for your vacuum cleaner to protect it from fire ash. Ash Clean (Stovax Part No. 2091).

- Clean the internal surfaces of the appliance using a wire brush and scraper as required

Vacuum and brush the resulting debris from the appliance.

- Clean the grate parts with a wire brush, and check the parts for any damage
- Replace any damaged parts
- Check and clean the firebricks with a soft brush
- Replace broken bricks

Some surface damage will occur during use. The life of the bricks will depend on the type of fuels burnt and the level of use. Damaged bricks should be replaced as soon as possible.

- Re-fit cleaned internal parts
- Remove and fit new rope seals, See sections 6 & 7

- Clean the door glass using Stovax Glass cleaner and a soft cloth

Do not use abrasive cleaners to remove tar or soot deposits from the glass.

- Lightly oil the door catch mechanism and hinge pins
- Avoid getting oil onto the door seals and glass.

To refresh painted finishes use Yeoman paint.

1.2 Use genuine Yeoman replacement parts to keep your appliance in safe and efficient working order. Your local Yeoman dealer can provide you with the parts you require.

This is a list of the maintenance products you may need to use

Task	Product Name	Stovax Code number
Glass Cleaning	Stove glass cleaner 500ml – wipe on	4111
	Stove glass cleaner 500ml – Spray on	4103
Preventing build-up of creosote in flue	Protector (15 sachets)	7002
	Protector (1kg tub)	7025
Sealing Flue pipe joints	Fire Cement - 500g tub	2020
	Fire Cement - 600g cartridge	2021
Repainting	Yeoman Black (400ml aerosol)	YM-V00971
Cleaning matt black stoves	Collodial black (85ml)	7000
Protecting your hands	Heat resistant leather gloves	YM-E00007
Door sealing rope	14mm Black rope seal – (handy pack)	5000
	14mm Black rope seal – (25m reel)	4670
Glass sealing rope	3mm Black rope seal – (handy pack)	4975
	3mm Black rope seal – (25m reel)	4974
Fixing door seal	Thermic seal glue – (50ml bottle)	5037
Ash Clean	Ash Clean vacuum cleaner attachment	2091

These products, all available from your local Yeoman dealer, along with regular maintenance and use of the correct fuels, will help you to keep your stove in the best possible condition.

1.3 If you require more information about Yeoman products visit our web site [www.yeoman-stoves.co.uk](http://www.yeoman-stoves.co.uk) or [www.stovax.com](http://www.stovax.com).

1.4 Using the appliance for the first time:  
 • Burn at a low output for the first day of use  
 This allows the seals, fixing glues and paint to fully cure.

1.5 During this time the appliance may give off some unpleasant odours:  
 • Keep the room well ventilated to avoid a build-up of fumes.

1.6 Your Yeoman dealer can carry out service and maintenance.

# MAINTENANCE and SERVICING

## 2. REMOVAL OF THE LOG GUARD

- 2.1 See Section 2 *Fitting & Removal of Log Guard* in *Installation section*.

## 3. FITTING AND REMOVAL OF THE BAFFLE

- 3.1 See Section 3 *Fitting & Removal of The Baffle* in *Installation section*.

## 4. FITTING AND REMOVAL OF FIREBRICKS

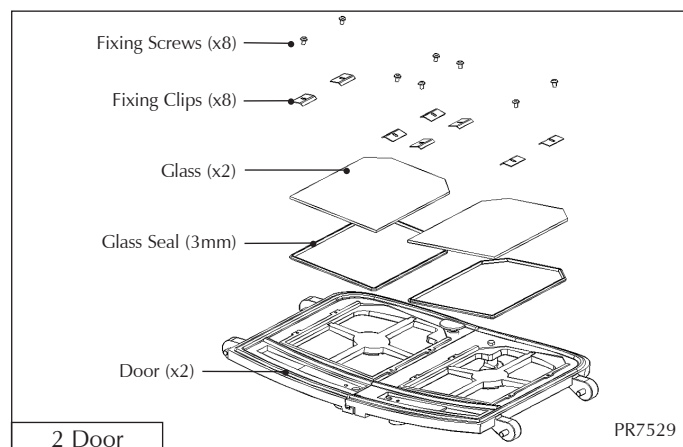
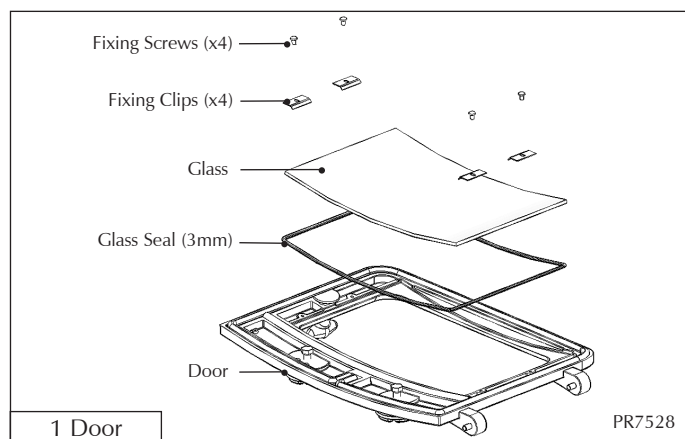
- 4.1 See Section 4 *Fitting & Removal of Firebricks* in *Installation section*.

## 5. FITTING AND REMOVAL OF THE RIDDLING MECHANISM

- 5.1 See Section 5 *Fitting & Removal of The Riddling Mechanism* in *Installation section*.

## 6. FITTING A NEW DOOR GLASS

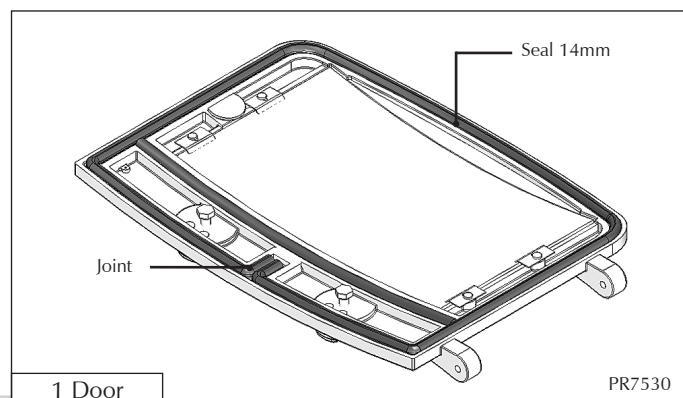
- 6.1 To maintain the safe use of your appliance you may need to replace a damaged door glass. To complete this operation:
- Remove the door, by opening, removing the hinge pins and lifting the door free of the hinge blocks
  - Lay the door face down on a soft flat surface, to protect the paintwork and glass



- 6.2 Using a screwdriver remove the glass clip fixing screws. The old glass can then be lifted clear of the door. (Note how the 3mm sealing rope is placed between the glass and the door.) Remember to dispose of the old glass and rope safely.
- 6.3 Clean, and re-paint, the rear of the door if required ensuring all old glue is removed from rope seal channel. Clean the screws with light oil and coat with high temperature anti-seize grease, this will aid future removal.
- 6.4 Fit a new sealing rope between the new glass and the door, and place the glass into position in the door. Place the glass fixing clips into position and re-fix with the clean fixing screws, tighten the screws evenly until the clips hold the glass. **Do not over tighten the clips as this could break the glass.**
- 6.5 Fit only Yeoman ceramic glass, which is suitable to use in high temperature applications.
- 6.6 Using the stove with a damaged door glass could cause dangerous fumes to enter the room, or the stove to over-fire, resulting in damage.

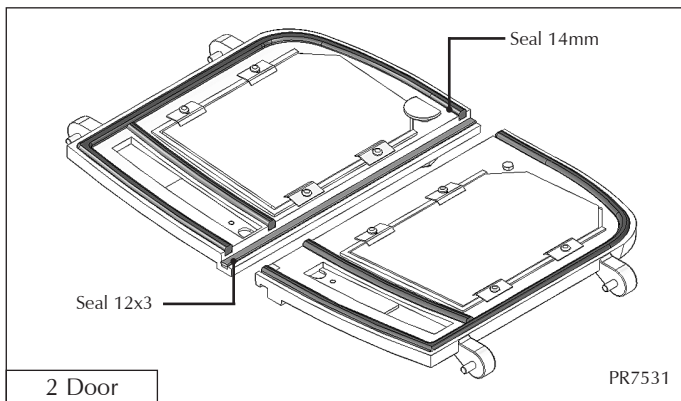
## 7. FITTING A NEW DOOR SEAL

- 7.1 To maintain the safe use of your stove you may need to replace a damaged or worn door sealing rope. To complete this operation, use this method.
- 7.2 Remove the door from the stove, by opening and lifting the door free of the hinge pins. Then lie the door face down on a soft flat surface, to protect the paintwork and glass.





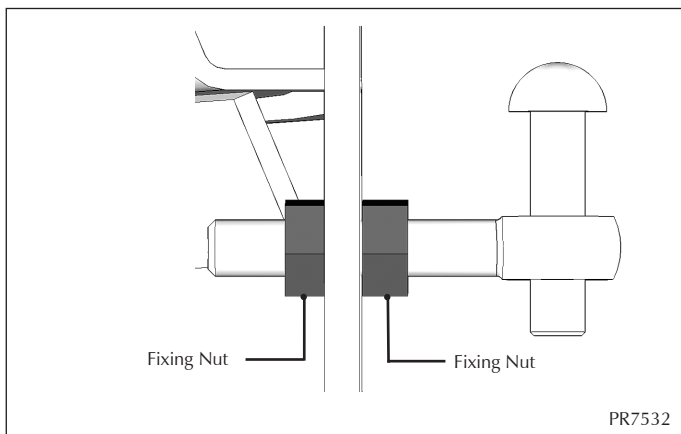
# MAINTENANCE and SERVICING



- 7.3 Remove the old rope and scrape old glue from the locating grooves. Clean the locating groove with a clean dry cloth to remove all old dust and debris.
- 7.4 Squeeze a generous bead of fresh Stovax Thermic Seal glue into the rope locating groove (part no. 5037). Press the new Stovax rope into the locating groove, placing the joint in the middle of the lower edge of the door (one door version only).
- 7.5 Refit and close the door to apply pressure to new rope. Leave the stove closed for at least 12 hours before lighting the stove and use at a low output for approximately one day. This allows the adhesive to bond fully.
- 7.6 Using the stove with a damaged door seal could cause dangerous fumes to enter the room, or the stove to over-fire, resulting in damage.
- 7.7 If you require help, your local Yeoman dealer will be able to carry out all of your service and maintenance requirements for a reasonable cost.

## 8. ADJUSTING DOOR HINGES (EXMOOR MODELS ONLY)

- 8.1 To maintain the safe use of your Yeoman Exmoor stove, you may need to adjust the door hinges to ensure safe correct closing of the door. Complete this operation as follows.
- 8.2 Open the door to give access to the fixed part of the door hinge as shown.



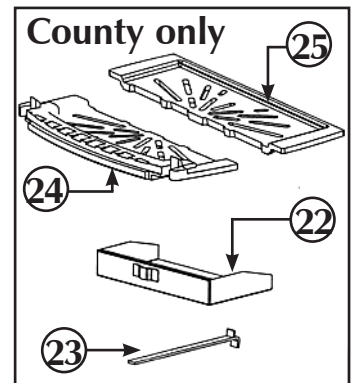
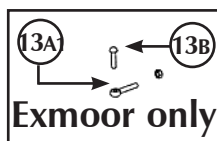
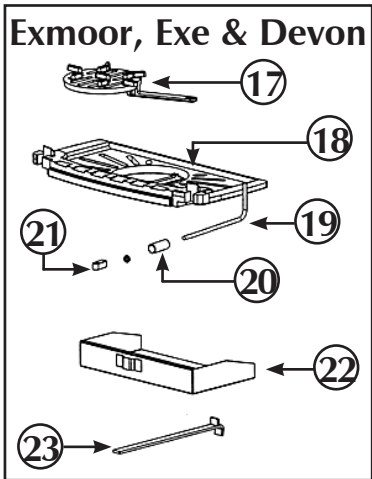
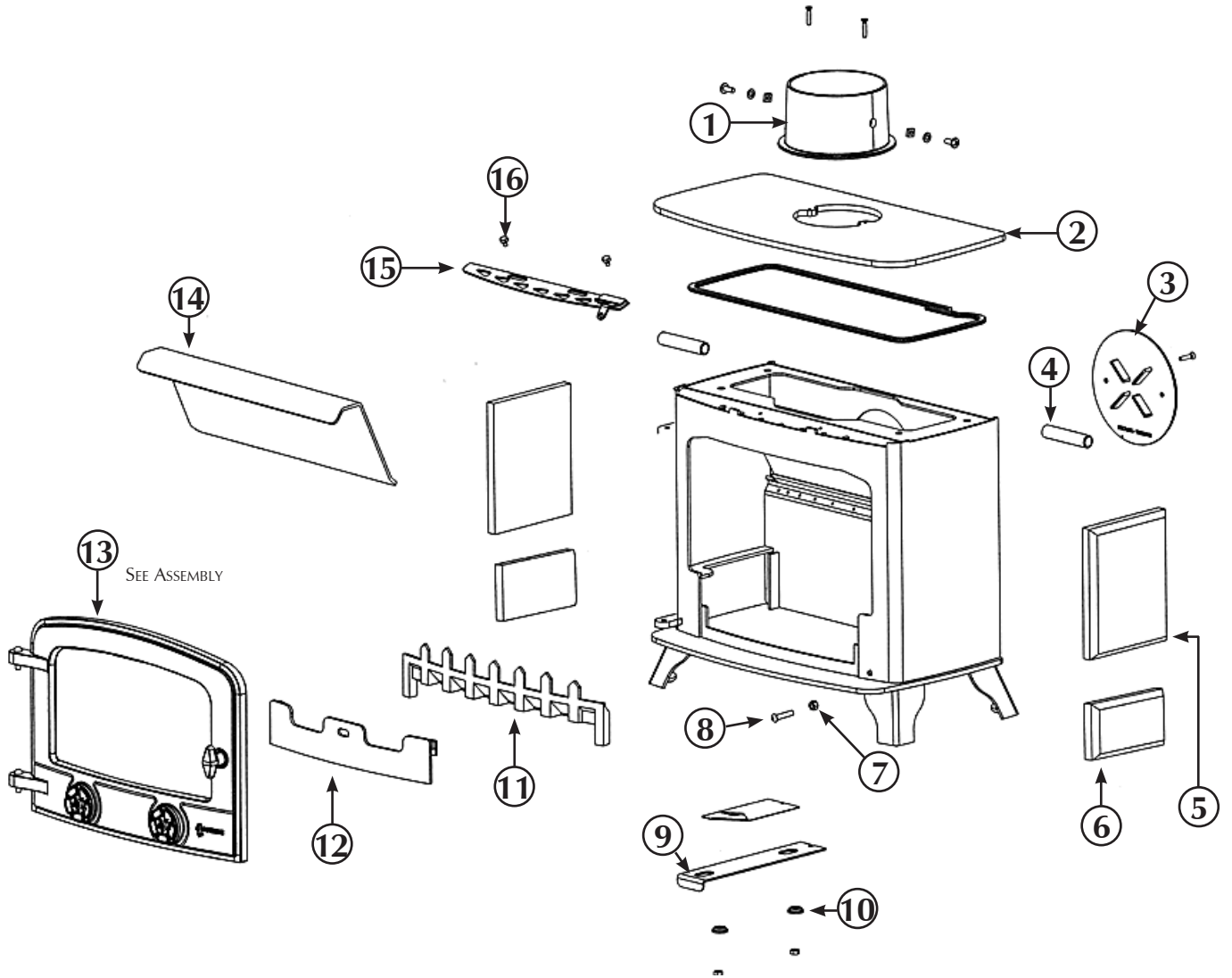
- 8.3 Using a 13mm A/F spanner loosen the fixing nuts, as shown, and reposition the hinge blocks to achieve a correct fit. This may require a trial and error approach to find the correct position.

## 9. ADJUSTING DOOR CATCH (ALL MODELS)

- 9.1 To adjust the fit of the door catch rotate the door knob clockwise to loosen the fit or anti-clockwise to tighten the fit. This adjustment should be made in steps of one full turn of the door knob. The flat edge of the door cam should be parallel with the door opening on the stove body when the door is open.

# BASIC SPARE PARTS LIST

Exmoor, Exe, Devon, County



# BASIC SPARE PARTS LIST

## Exmoor, Exe, Devon, County codes

DIAGRAM No	DESCRIPTION	EXMOOR PRODUCT CODE	EXE PRODUCT CODE	DEVON PRODUCT CODE	COUNTY PRODUCT CODE
1	Flue Spigot assembly	5" YM-YM74545	6" YM-YM00545	6" YM-YM00545	6" YM-YM00545
2	Top plate CE	YM-A9031FL	YM-A9131FL	YM-A9231FL	YM-A9331FL
3	Blanking plate	5" YM-YM74510	6" YM-YM00510	6" YM-YM00510	6" YM-YM00510
4	Baffle extension tube	YM-C00008	YM-C00008	YM-C00008	YM-C00008
5	Upper side firebrick CE	YM-C74080	YM-C81080	YM-C82080	SL24
6	Lower side firebrick CE (Wood only)	YM-C74081	YM-C81081	YM-C82081	YM-C05081
7	M8 blanking screw nut	YM-F00019	YM-F00019	YM-F00019	-
8	Blanking screw CE only	YM-F00018	YM-F00018	YM-F00018	-
9	Tertiary air control slider	YM-C74957CE	YM-C81957CE	YM-C82957CE	YM-C05957
10	Tertiary slider spacer	YM-C00960	YM-C00960	YM-C00960	YM-C00960
11	Log retaining bar	YM-YM74080	YM-YM81080	YM-YM81080	YM-YM05080
12	Drop-in front ash cover CE	YM-YA74422	YM-YA81422CE	YM-YA81422CE	YM-YA05422
13	Door Casting	SEE DOOR ASSEMBLY	SEE DOOR ASSEMBLY	SEE DOOR ASSEMBLY	SEE DOOR ASSEMBLY
13A	Door Eyebolt	YM-F00060	-	-	-
13B	Door hinge pin 5/6"	YM-F00106	-	-	-
14	Baffle plate CE	YM-C74007CE	YM-C81007CE	YM-C82007CE	YM-C05007CE
15	Top air slider	YM-YA74018	YM-YA81018CE	YM-YA81018CE	YM-YA05018
16	Airwash slider bolt	YM-B81309	YM-B81309	YM-B81309	YM-B81309
17	Cast centre grate CE	YM-YM74071	YM-YM81071	YM-YM81071	-
18	Cast main grate CE	YM-YM74070	YM-YM81070	YM-YM82070	-
19	Riddling rod CE	YM-C74070	YM-C74070	YM-C74070	-
20	Riddling rod spacer CE	YM-C74072	YM-C74072	YM-C74072	-
21	Riddling rod knob CE	YM-C00073	YM-C00073	YM-C00073	-
22	Ashpan	YM-YA74003	YM-YA81003CE	YM-YA81003CE	YM-YA05003CE
23	Ashpan Tool	YM-C00006	YM-C00006	YM-C00006	YM-C00006
24	Main grate front CE	-	-	-	YM-YM05070F
25	Main grate back CE	-	-	-	YM-YM05070B
N/A	Door hinge pin 5/6"	YM-F00106	YM-F00106	YM-F00106	YM-F00106

# BASIC SPARE PARTS LIST

## Exmoor, Exe, Devon, County Single Door

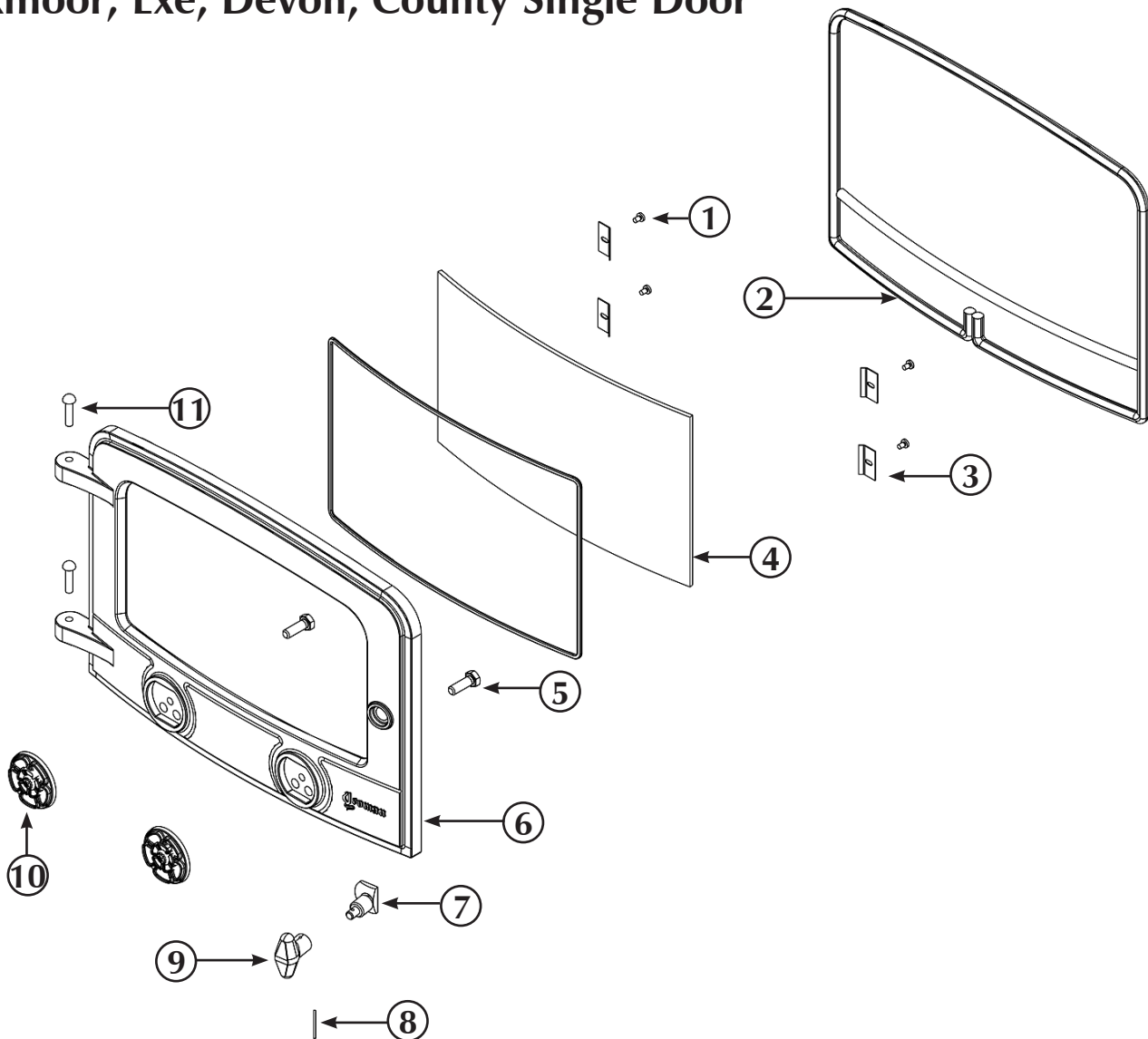


DIAGRAM No	DESCRIPTION	EXMOOR PRODUCT CODE	EXE PRODUCT CODE	DEVON PRODUCT CODE	COUNTY PRODUCT CODE
1	Glass clamp screw	YM-F00001	YM-F00001	YM-F00001	YM-F00001
2	Door Rope Seal Pack	5000	YM-E81001	YM-E81001	YM-E05002
3	Standard glass clamp	YM-C00353	YM-C00353	YM-YMC00353	YM-YMC00353
4	Door Glass	GL0242	GL0252	GL0252	GL0254
5	Spinner Bolt	YM-F00010	YM-F00010	YM-F00010	YM-F00010
6	Single Door Casting CE	YM-YM74906CE	YM-YM81906	YM-YM82906	YM-YM05906
7	Door cam m18CE	YM-B00030CE	YM-B00030CE	YM-B00030CE	YM-B00030CE
8	Spiral Pin 3 x 18mm	YM-F00004	YM-F00004	YM-F00004	YM-F00004
9	Black door knob	YM-C00328	YM-C00328	YM-C00328	YM-C00328
10	Primary air rose spinner	YM-YM74058	YM-YM74058	YM-YM74058	YM-YM74058
11	Door Hinge Pin 6/6"	YM-F00106	YM-F00106	YM-F00106	YM-F00106

# BASIC SPARE PARTS LIST

## Exe, Devon, County Double Door

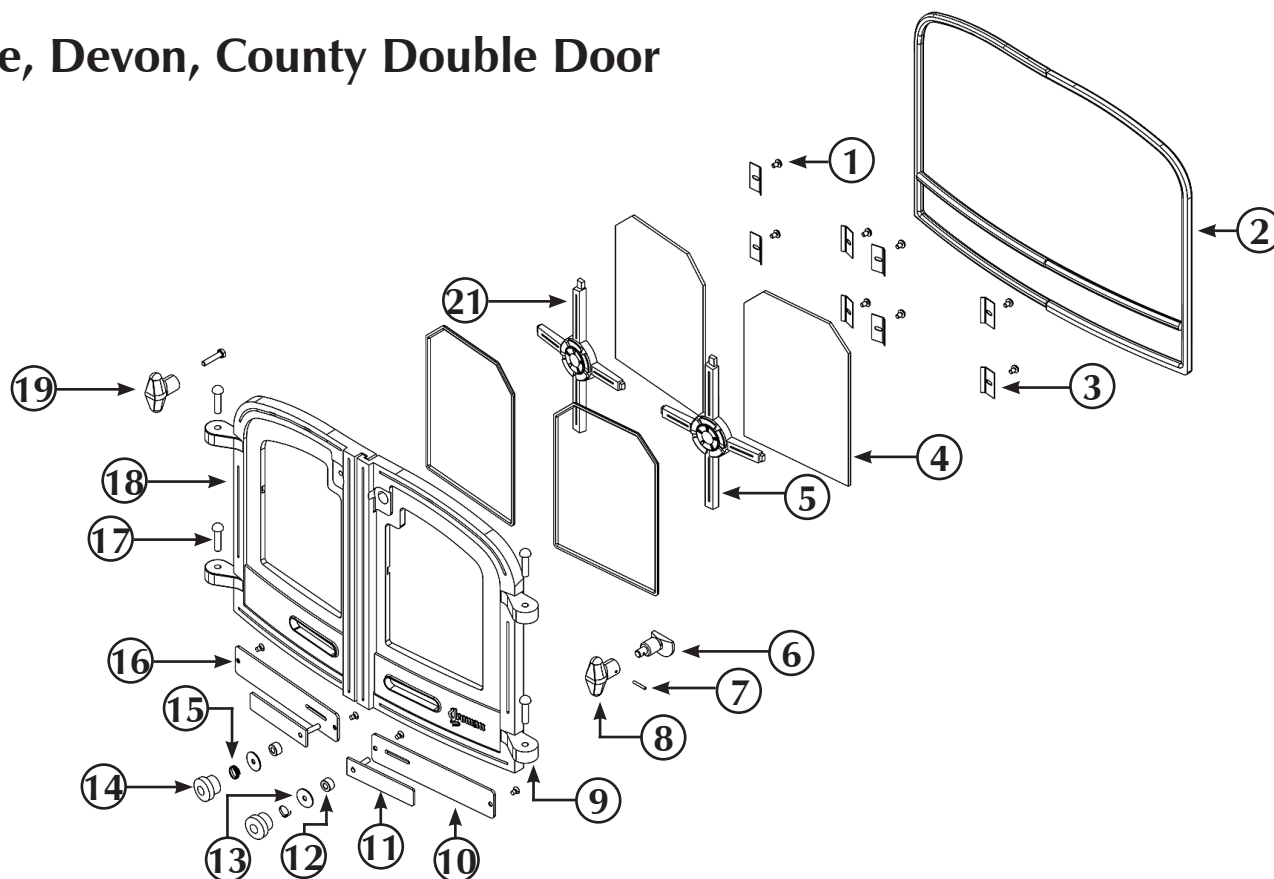


DIAGRAM No	DESCRIPTION	EXE PRODUCT CODE	DEVON PRODUCT CODE	COUNTY PRODUCT CODE
1	Glass clamp screw	YM-F00001	YM-F00001	YM-F00001
2	Door Rope Seal Pack	YM-E82002	YM-E82002	YM-E05002
3	Standard glass clamp	YM-C00353	YM-C00353	YM-C00353
4	Door Glass (6 sided)	GL0251	GL0251	GL0253
5	Twin Door Cross RH CE	YM-YM81001	YM-YM81001	YM-YM05001
6	Door cam m18CE	YM-B00030CE	YM-B00030CE	YM-B00030CE
7	Spiral Pin 3 x 18mm	YM-F00004	YM-F00004	YM-F00004
8	Black RH door knob	YM-C00228	YM-C00228	YM-C00228
9	Door casting RH CE	YM-YM81907	YM-YM81907	YM-YM05907
10	Air slider cover RH CE	YM-C81087	YM-C82087	-
11	Primary Air Slider plate RH CE	YM-A81057	YM-A82057	YM-C00057 (2 per stove)
12	Primary air slider spacer	YM-B00258	YM-B00258	YM-B00258
13	M5 x M25 penny washer	YM-F00068	YM-F00068	YM-F00068
14	Primary air slider knob	YM-B00158	YM-B00158	YM-B00158
15	Primary air slider spring	YM-F00258	YM-F00258	YM-F00258
16	Air Slider cover LH CE	YM-C81086	YM-C82087	-
17	Door hinge pin 5/6"	YM-F00106	YM-F00106	YM-F00106
18	Door casting LH CE	YM-YM81908	YM-YM81908	YM-YM05908
19	Black LH door knob	YM-C00128	YM-C00128	YM-C00128
20	LH Door knob bolt	YM-F00098	YM-F00098	YM-F00098
21	Twin Door Cross LH CE	YM-YM81101	YM-YM81101	YM-YM05101

# SERVICE RECORDS

## 1st SERVICE

Date of Service: .....

Next Service Due: .....

Signed: .....

Dealer's Stamp/HETAS Registration Number

## 3rd SERVICE

Date of Service: .....

Next Service Due: .....

Signed: .....

Dealer's Stamp/HETAS Registration Number

## 5th SERVICE

Date of Service: .....

Next Service Due: .....

Signed: .....

Dealer's Stamp/HETAS Registration Number

## 7th SERVICE

Date of Service: .....

Next Service Due: .....

Signed: .....

Dealer's Stamp/HETAS Registration Number

## 9th SERVICE

Date of Service: .....

Next Service Due: .....

Signed: .....

Dealer's Stamp/HETAS Registration Number

## 2nd SERVICE

Date of Service: .....

Next Service Due: .....

Signed: .....

Dealer's Stamp/HETAS Registration Number

## 4th SERVICE

Date of Service: .....

Next Service Due: .....

Signed: .....

Dealer's Stamp/HETAS Registration Number

## 6th SERVICE

Date of Service: .....

Next Service Due: .....

Signed: .....

Dealer's Stamp/HETAS Registration Number

## 8th SERVICE

Date of Service: .....

Next Service Due: .....

Signed: .....

Dealer's Stamp/HETAS Registration Number

## 10th SERVICE

Date of Service: .....

Next Service Due: .....

Signed: .....

Dealer's Stamp/HETAS Registration Number



# EC Declaration of Conformity



The undersigned, representing the following :

Manufacturer
<b>Stovax Ltd</b> Falcon Road, Sowton Industrial Estate Exeter EX2 7LF

Herewith declare that the products :

Description	Product code
Yeoman Exmoor wood	YM-W9001FL YM-W9001LC
Yeoman Exmoor M/F	YM-W9001ERFL YM-W9001ERLC
Yeoman Exe wood	YM-W9101FL YM-W9101LC YM-W9102FL YM-W9102LC
Yeoman Exe M/F	YM-W9101ERFL YM-W9101ERLC YM-W9102ERFL YM-W9102ERLC

Description	Product code
Yeoman Devon wood	YM-W9201FL YM-W9201LC YM-W9201HC YM-W9202FL YM-W9202LC YM-W9202HC
Yeoman Devon M/F	YM-W9201ERFL YM-W9201ERLC YM-W9201ERHC YM-W9202ERFL YM-W9202ERLC YM-W9202ERHC
Yeoman County wood	YM-W9301FL YM-W9301LC YM-W9301HC YM-W9302FL YM-W9302LC YM-W9302HC

Description of product : Yeoman domestic wood and multifuel heating stove product range

Steel fabricated stove body fitted with cast iron door sets, various canopy and firegrate options. Supplied in various sizes to give a range of heat output options.

are in conformity with the provisions of the following EC Directive(s) when installed in accordance with the installation instructions in the product documentation :

98/106/EEC Construction Products Directive

and the standards referenced below have been applied :

EN 13240 : 2001 Roomheaters fired by solid fuel – Requirements and test methods

Provisions to which the product conforms :

Product : Roomheater fired by solid fuel as covered under the scope of the standards listed. Intended use : Space heating in residential buildings.		
Characteristic	Performance	Report
Fire safety	Satisfies	
Emission of combustion products	<b>Yeoman Exmoor</b> YM-W9001FL YM-W9001LC YM-W9001ERFL YM-W9001ERLC CO @ 13% O <sub>2</sub> Wood 0.29% - Briquetted fuel 0.17%	EZ/06/001991/02
	<b>Yeoman Exe</b> YM-W9101FL YM-W9101LC YM-W9101ERFL YM-W9101ERLC YM-W9102FL YM-W9102LC YM-W9102ERFL YM-W9102ERLC CO @ 13% O <sub>2</sub> Wood 0.41% - Briquetted fuel 0.35%	EZ/06/001991/03
	<b>Yeoman Devon</b> YM-W9201FL YM-W9201LC YM-W9201HC YM-W9201ERFL YM-W9201ERLC YM-W9201ERHC YM-W9202FL YM-W9202LC YM-W9202HC YM-W9202ERFL YM-W9202ERLCYM-W9201ERHC CO @ 13% O <sub>2</sub> Wood 0.24% - Briquetted fuel 0.19%	EZ/06/001991/01
	<b>Yeoman County</b> YM-W9301FL YM-W9301LC YM-9301HC YM-W9302FL YM-W9302LC YM-W9302HC CO @ 13% O <sub>2</sub> Wood 0.25% - Briquetted fuel 0.22%	
Release of dangerous substance	None	
Surface temperature	Satisfies	
Mechanical resistance (to carry a chimney/flue)	Maximum weight to be supported 25Kg	
Thermal output / Efficiency	<b>Yeoman Exmoor</b> YM-W9001FL YM-W9001LC YM-W9001ERFL YM-W9001ERLC Wood 4.90Kw @ 78% - Briquetted fuel 4.90Kw @ 85%	EZ/06/001991/02
	<b>Yeoman Exe</b> YM-W9101FL YM-W9101LC YM-W9101ERFL YM-W9101ERLC YM-W9102FL YM-W9102LC YM-W9102ERFL YM-W9102ERLC Wood 4.90Kw @ 78% - Briquetted fuel 4.90Kw @ 85%	EZ/06/001991/03
	<b>Yeoman Devon</b> YM-W9201FL YM-W9201LC YM-W9201HC YM-W9201ERFL YM-W9201ERLC YM-W9201ERHC YM-W9202FL YM-W9202LC YM-W9202HC YM-W9202ERFL YM-W9202ERLCYM-W9201ERHC Wood 9.00Kw @ 81% - Briquetted fuel 9.00Kw @ 78%	EZ/06/001991/01
	<b>Yeoman County</b> YM-W9301FL YM-W9301LC YM-9301HC YM-W9302FL YM-W9302LC YM-W9302HC Wood 13.00Kw @ 78% - Briquetted fuel 13.00Kw @ 84%	

Test laboratory : 0608

Name : Greg Taylor

Signature :



Position : Technical Director

Date : 01/05/2007

Sheet 2 of 2



A division of Stovax Ltd

**Falcon Road, Sowton Industrial Estate, Exeter, Devon, England EX2 7LF**

**Tel: (01392) 474500 Fax: (01392) 219932**

**E-mail: [yeoman@stovax.com](mailto:yeoman@stovax.com) [www.yeoman-stoves.co.uk](http://www.yeoman-stoves.co.uk)**