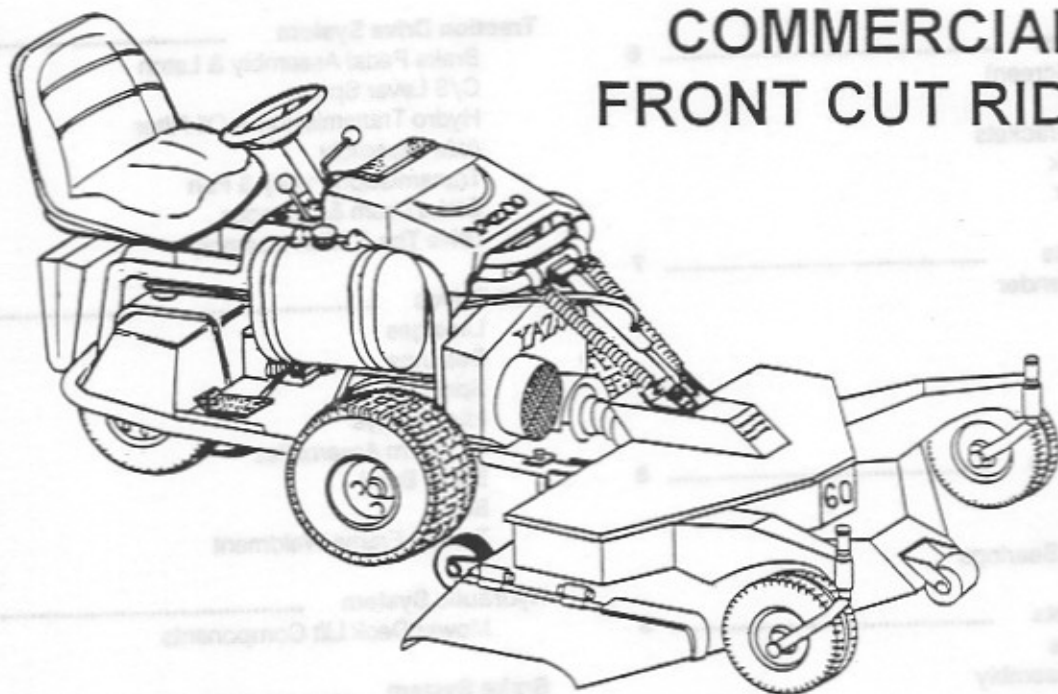




YAZOO

Parts Manual for

YHRLD212 SERIES & YHRLD211 SERIES COMMERCIAL FRONT CUT RIDER



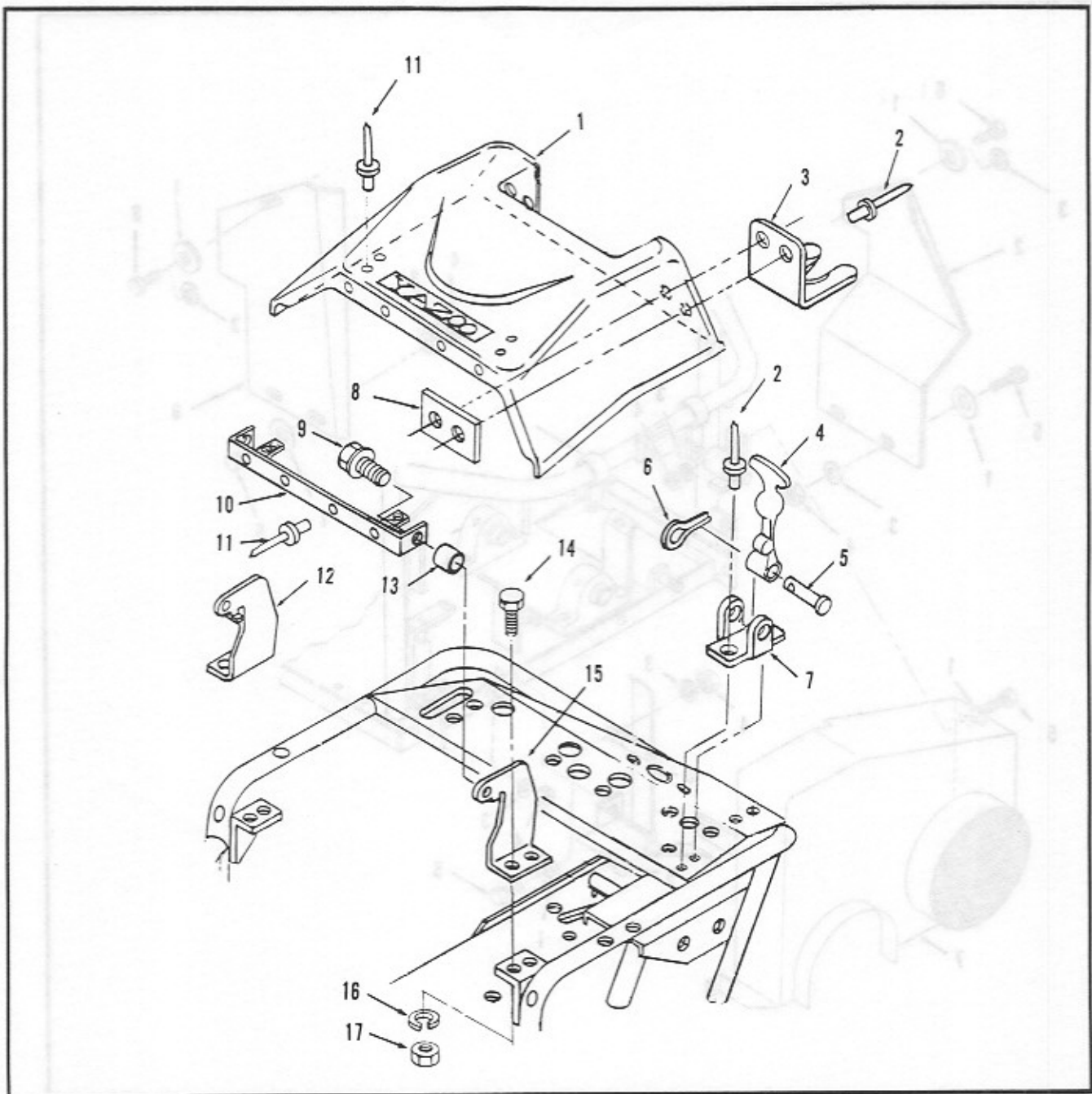
**Professional Quality Lawn Care Equipment
since 1945**

Yazoo Manufacturing Company's policy is to improve its products whenever it is possible and practical to do so. In a effort to keep pace with changes in technology, Yazoo reserves the right to make changes or improvements at any time without incurring any obligation to make such changes on products previously manufactured.

CONTENTS

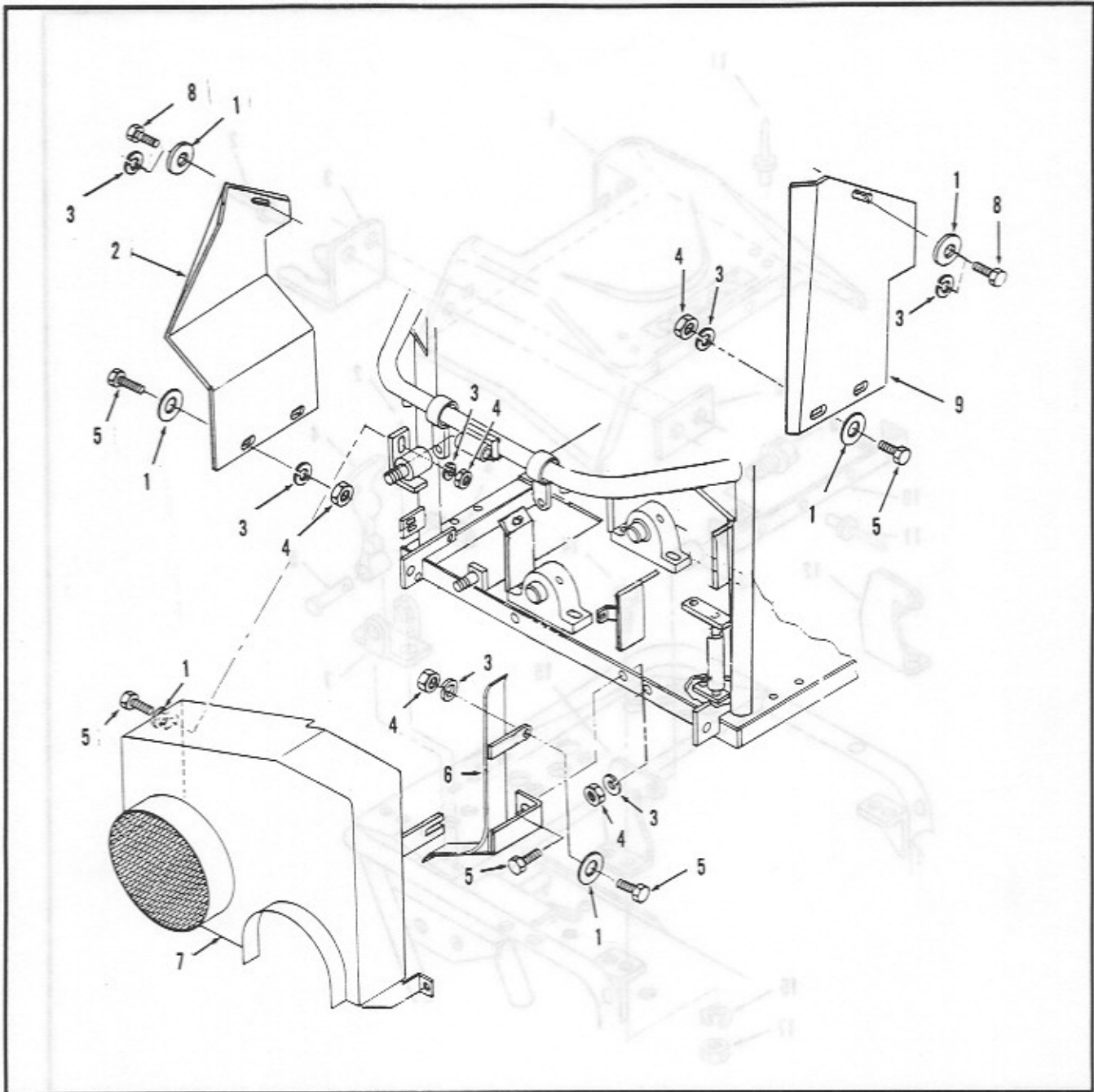
| | |
|--|--|
| <p>Tractor Hood 3</p> <ul style="list-style-type: none"> Hood Mounting Brackets Latches <p>Guards & Shields 4</p> <ul style="list-style-type: none"> Air Deflector Shields Belt Guard PTO Belt Guide <p>Dash Panel 5</p> <ul style="list-style-type: none"> Indicator Lights Ammeter Hour Meter Inclinometer Throttle Control Key Switch <p>Engine Components 6</p> <ul style="list-style-type: none"> Chaff Guard (Screen) Engine Motor Mount Brackets Over Flow Tank Flywheel Cover <p>Engine Components 7</p> <ul style="list-style-type: none"> Temperature Sender Motor Mounts Pulleys Fuel Solenoid Air Cleaner <p>Steering Components 8</p> <ul style="list-style-type: none"> Steering Wheel Steering Gears Steering Shaft & Bearings <p>Steering Components 9</p> <ul style="list-style-type: none"> Steering Linkage Wheel & Rim Assembly <p>Fuel System 10</p> <ul style="list-style-type: none"> Fuel Lines Hose Clamps Fuel Tank & Mounting Components <p>Fuel System 11</p> <ul style="list-style-type: none"> Fuel Lines Fuel Filters & Filter Element Fuel Valve <p>Exhaust System 12</p> <ul style="list-style-type: none"> Muffler Rubber Mounts <p>Blade Control Lever 13</p> <ul style="list-style-type: none"> Switch & Mounting Bracket Blade Engagement Lever & Knob Linkage | <p>Operator Seat 1</p> <ul style="list-style-type: none"> Tractor Seat & Mounting Components Seat Switch Rider Weight Battery Mount Bracket <p>Transmission Control Pedal 1</p> <ul style="list-style-type: none"> Neutral Switch Bracket Switch Switch Actuator By-Pass Valve Arm Transmission Neutral Cable Tension Spring Hydro Pedal Linkage Transmission Control Arm <p>Traction Drive System 1</p> <ul style="list-style-type: none"> Brake Pedal Assembly & Latch C/S Lever Spring Hydro Transmission & Oil Filter Axle Assembly Transmission Pulley & Fan Brake Drum & Linkages Drive Tire & Rim Assembly <p>Belt Drives 18</p> <ul style="list-style-type: none"> Linkages Bearings Springs Idler Pulleys Idler Arm Assemblies Brake Band Belts Tractor Frame Weldment <p>Hydraulic System 20</p> <ul style="list-style-type: none"> Mower Deck Lift Components <p>Brake System 21</p> <ul style="list-style-type: none"> Wheel Brake Components <p>Hydrostatic Differential 22</p> <ul style="list-style-type: none"> Tractor Axle Components <p>Transmission 24</p> <ul style="list-style-type: none"> Sundstrand Transmission Components <p>Electrical System 25</p> <ul style="list-style-type: none"> Wiring Harness & Components Module Glow Plug Solenoid Fuses <p>Oil Drain System 26</p> <ul style="list-style-type: none"> Drain Valves Hoses & Clamp <p>Decals 27</p> <ul style="list-style-type: none"> Safety Messages |
|--|--|

TRACTOR HOOD



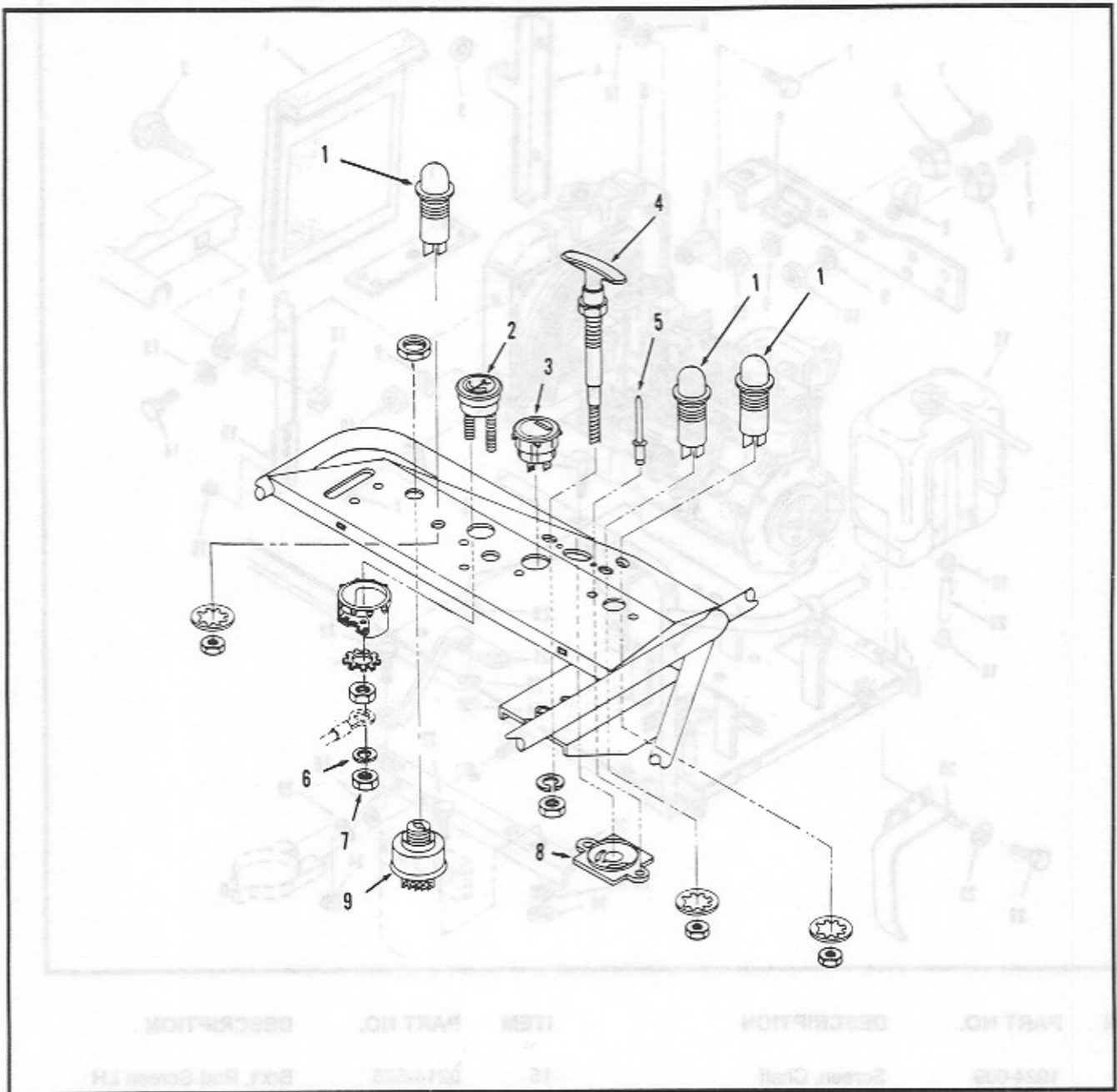
| ITEM | PART NO. | DESCRIPTION | ITEM | PART NO. | DESCRIPTION |
|------|--------------|----------------------------|------|----------|-----------------------|
| 1 | 0804-094 | Hood Asm. | 9 | 0209-081 | HWH, .25Cx.75 TF (2) |
| 2 | 1807-007 | Rivet, Pop .188 (8) | 10 | 0214-505 | Brk't., Hood Mt. |
| 3 | 0214-350 | Brk't, Upper Latch (2) | 11 | 1807-008 | Rivet, Pop Blk. (8) |
| 4 | 1208-023-001 | Latch, Rubber (2) | 12 | 0214-504 | Brk't, Hood Mt. RH |
| 5 | 1604-013 | Pin, 5/16x1-1/4 Clevis (2) | 13 | 1913-297 | Spacer, Pivot (2) |
| 6 | 1604-144 | Pin, Cotter (2) | 14 | 0209-108 | HHCS, 5/16Cx3/4G5 (4) |
| 7 | 0214-351 | Brk't, Lower Latch (2) | 15 | 0214-503 | Brk't, Hood Mt. LH |
| 8 | 0214-352 | Pl. Back-up (2) | 16 | 2301-004 | Washer, 5/16 Lock (4) |
| | | | 17 | 1401-020 | Nut, 5/16C Hex (4) |

GUARDS & SHIELDS



| ITEM | PART NO. | DESCRIPTION | ITEM | PART NO. | DESCRIPTION |
|------|----------|-----------------------|------|----------|------------------------|
| 1 | 2301-021 | Washer, 5/16 Flat (8) | 6 | 0704-008 | Guard, Belt |
| 2 | 1906-022 | Shield, Air Defl. RH | 7 | 0704-015 | Guard, Belt Widt |
| 3 | 2301-004 | Washer, 5/16 Lock (9) | 8 | 209-108 | HHCS 5/16C x 3/4G5 (2) |
| 4 | 1401-020 | Nut, 5/16C Hex (7) | 9 | 1906-023 | Shield, Air Defl. LH |
| 5 | 0209-114 | HHCS, 5/16Cx1G5 (7) | | | |

DASH PANEL

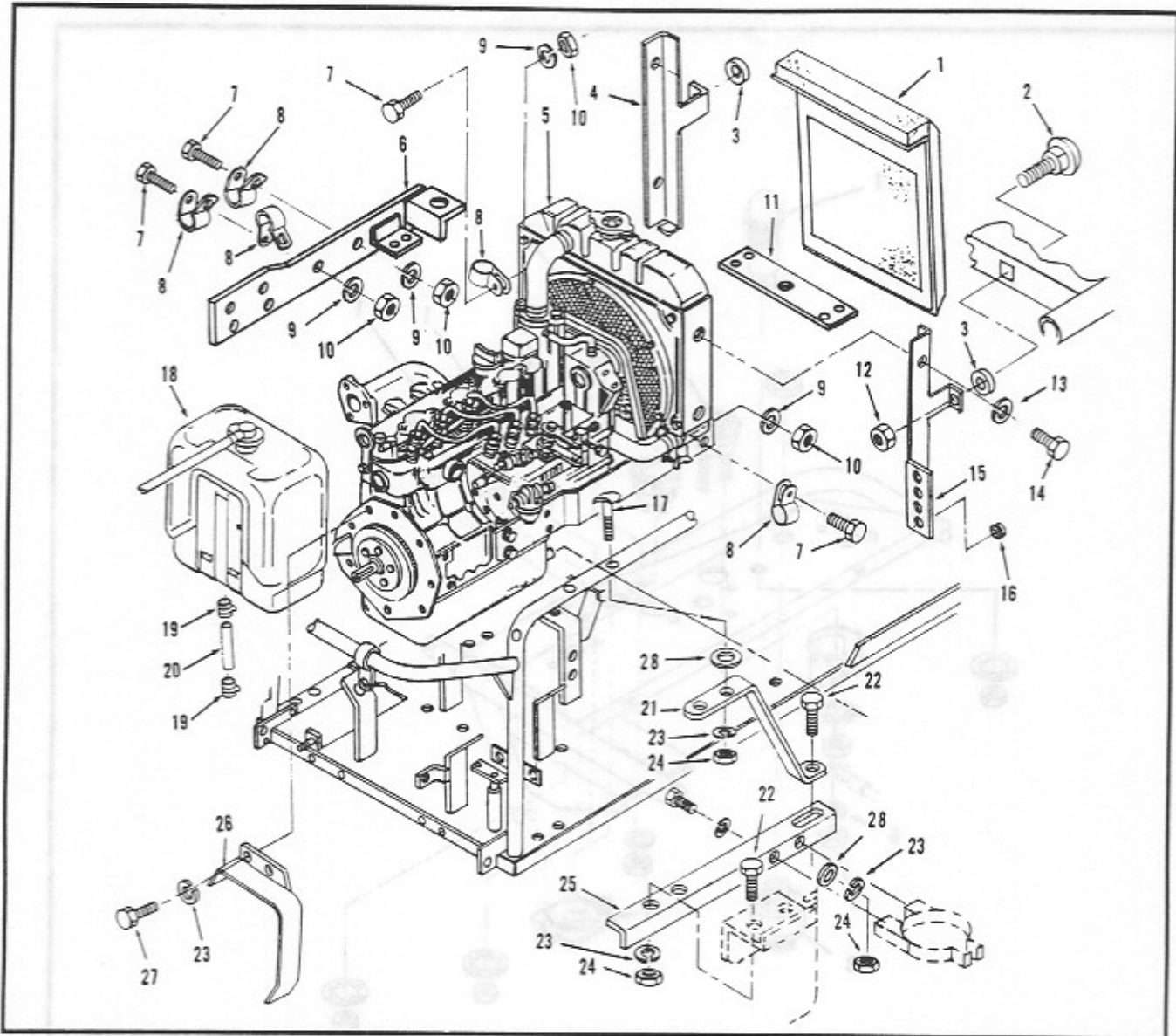


| ITEM | PART NO. | DESCRIPTION |
|------|----------|--------------------------|
| 1 | 0230-001 | Light, Indicator (3) |
| 2 | 0706-002 | Gauge, Ammeter |
| 3 | 0706-003 | Gauge Hour Meter |
| 4 | 0301-145 | Control, Throttle |
| 5 | 1807-006 | Pop, Rivet 1/8 x 5/8 (2) |

| ITEM | PART NO. | DESCRIPTION |
|------|------------|------------------|
| 6 | 2301-284 | Washer, Lock (2) |
| 7 | 1401-060 | Nut, 10-32 (2) |
| 8 | 0902-001 | Inclinometer |
| 9 | P/O Engine | Switch (Kubota) |

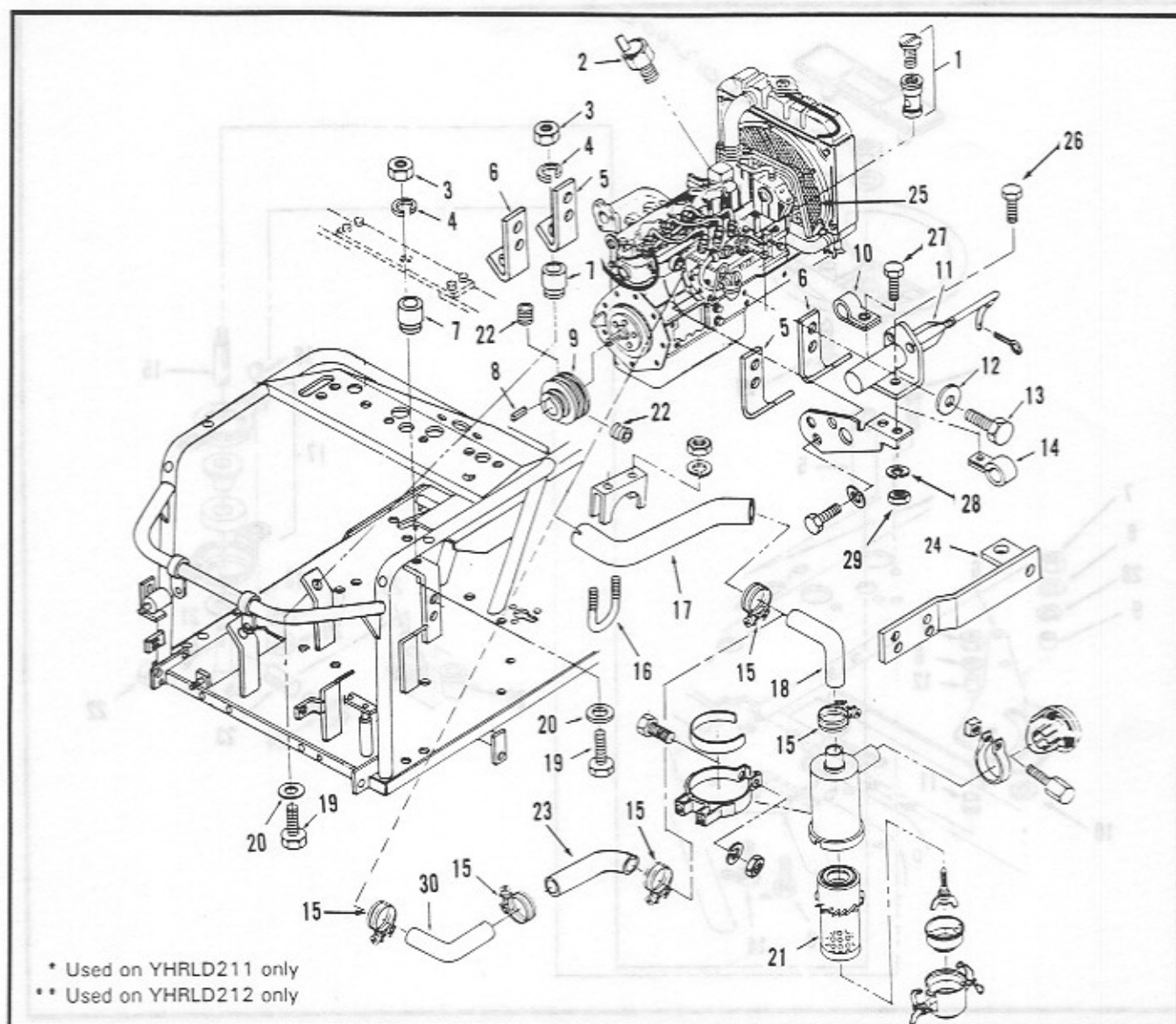
1923-066

ENGINE COMPONENTS



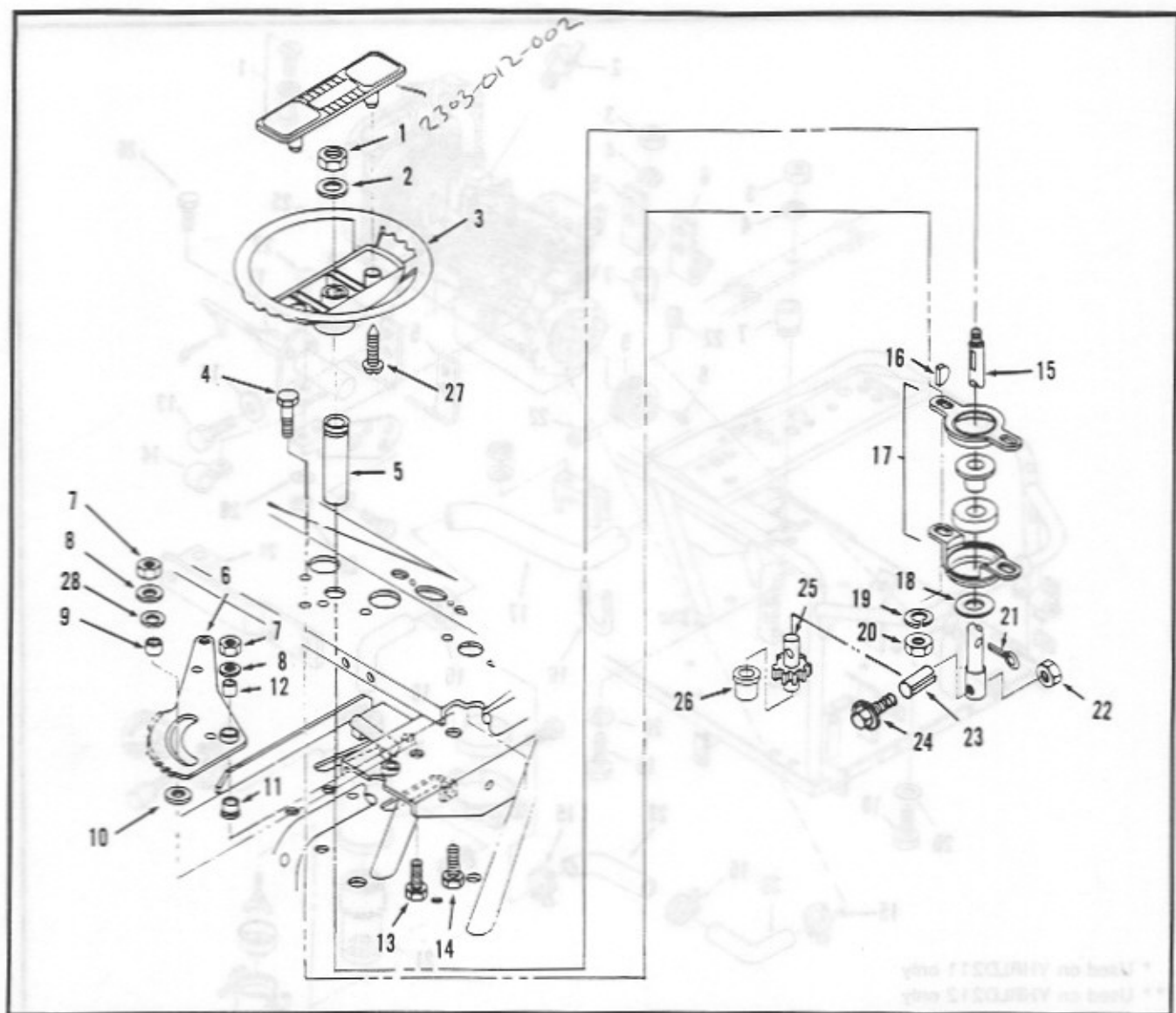
| ITEM | PART NO. | DESCRIPTION | ITEM | PART NO. | DESCRIPTION |
|------|----------|-----------------------|------|------------|--------------------------|
| 1 | 1924-009 | Screen, Chaff | 15 | 0214-526 | Brk't, Rad Screen LH |
| 2 | 0209-043 | Blt, Car 1/4Cx1 (2) | 16 | 1811-004 | Rubber, Leon Grommet (4) |
| 3 | 1811-033 | Isolator, Rubber (2) | 17 | 0209-835 | BLT, 5/16Cx2 CRVH (2) |
| 4 | 0214-525 | Brk't, Rad Screen RH | 18 | P/O Item 5 | Tank, Over Flow |
| 5 | E260 | Kubota D722 Engine | 19 | 0307-026 | Clamp, Hose (2) |
| 6 | 0214-186 | Brk't, Motor Mount | 20 | 0812-093 | Line, 32" Fuel |
| 7 | 0209-021 | HHCS, 1/4C x3/4G5 (4) | 21 | 0213-056 | Brce, Air Clnr. |
| 8 | 0307-049 | Clamp, 1/2" Mtg. (4) | 22 | 0209-108 | HHCS, 5/16Cx3/4G5 (3) |
| 9 | 2301-003 | Washer, 1/4 Lock (4) | 23 | 2301-004 | Washer, 5/16 Lock (7) |
| 10 | 1401-010 | Nut, 1/4C Hex (4) | 24 | 1401-020 | Nut, 5/16C Hex (7) |
| 11 | 0214-188 | Brk't, Motor Mount | 25 | 0214-524 | Brk't, Air Clnr. |
| 12 | 1401-009 | Nut, 1/4 C Cenloc (2) | 26 | 0314-004 | Cover, Flywheel |
| 13 | 2301-001 | Washer, 3/16 Lock (4) | 27 | 0209-831 | HHCS, M8-1.25x24 (2) |
| 14 | 0209-834 | HHCS M6-1x14 (4) | 28 | 2301-021 | Washer, 5/16 Flat (2) |

ENGINE COMPONENTS



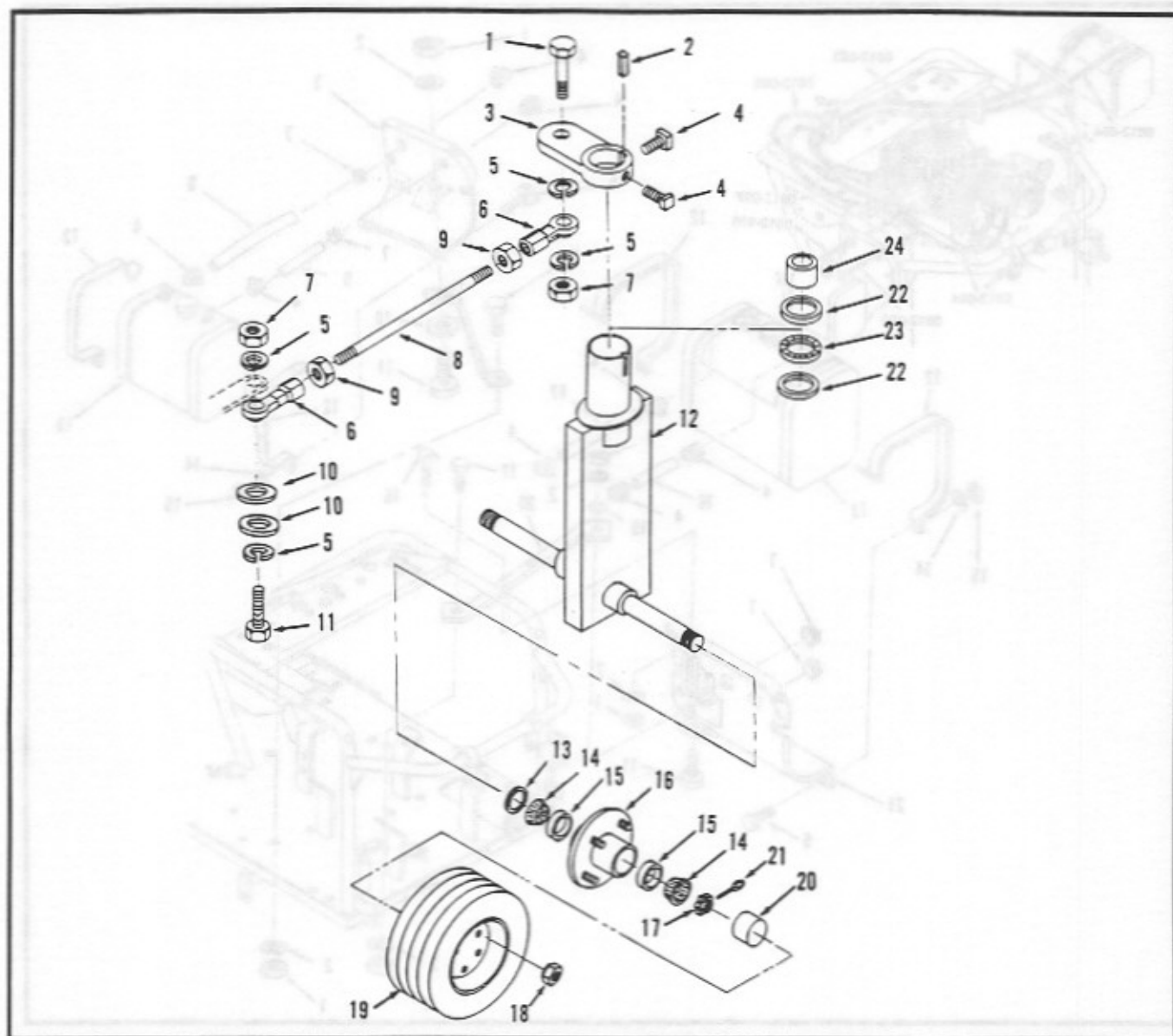
| ITEM | PART NO. | DESCRIPTION | ITEM | PART NO. | DESCRIPTION |
|------|----------|---------------------------|------|----------|----------------------------|
| 1 | 0307-042 | Clamp, Cable FT-191 | 16 | 0307-051 | Clamp, 1 3/4 Muffler |
| 2 | 1937-002 | Sender, Temp. | 17 | 2005-069 | Tube, Air Clnr.* |
| 3 | 1401-054 | Nut, Hex 1/2F (5) | 18 | 0812-099 | Elbow, 90 Air Clnr. |
| 4 | 2301-008 | Washer, 1/2 Lock (5) | 19 | 0209-534 | HHCS, 1/2Fx2-3/4G5 (5) |
| 5 | 0214-183 | Mount, Motor (2) | 20 | 2301-335 | Washer, 1/2x1 3/4 Flat (5) |
| 6 | 0214-184 | Mount, Motor (2) | 21 | 0610-021 | Filter, Elem. Cleaner |
| 7 | 1929-001 | Mount, Rubber Motor (5) | 22 | 1901-009 | Screw, Set 5/16 x 5/16 (2) |
| 8 | 1102-028 | Key, Sq. 1/4x1 1/2 | 23 | 2005-068 | Tube, Air Cleaner** |
| 9 | 1608-129 | Pulley, Eng Kubota | 24 | 0214-187 | Mt., Motor |
| 10 | 0307-043 | Clamp, Cable | 25 | 1924-011 | Screen, Fan D722 |
| 11 | 1923-056 | Sol, Fuel w/Mt. | 26 | 0209-843 | HHCS, M6-1x20 (1) |
| 12 | 2301-018 | Washer, M 10 Lock (8) | 27 | 0209-021 | HHCS, 1/4C x 3/4 G5 |
| 13 | 0209-839 | HHCS, M10-1.25x25 (8) | 28 | 2301-003 | Washer, 1/4 Lock |
| 14 | 0307-049 | Clamp, 1/2" Mtg. | 29 | 1401-010 | Nut, Hex 1/4C |
| 15 | 0307-041 | Clamp, 2" Hose (2)* (4)** | 30 | 0812-100 | Elbow, 90 Air Cleaner** |

STEERING COMPONENTS



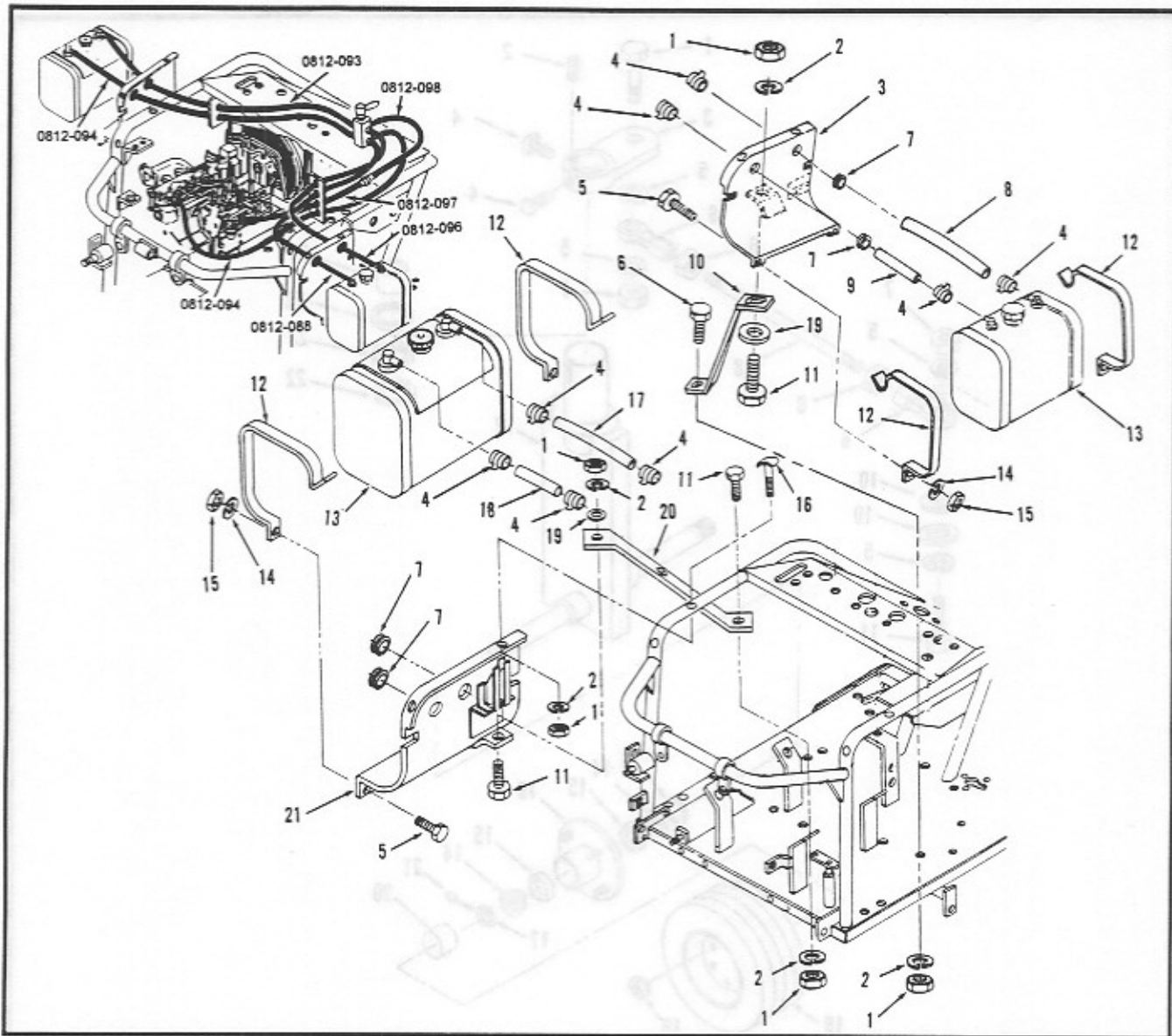
| ITEM | PART NO. | DESCRIPTION | ITEM | PART NO. | DESCRIPTION |
|------|----------|--------------------------|------|----------|------------------------------|
| 1 | 1401-050 | Nut, 1/2F Hex | 15 | 1904-288 | Shaft, Steering Asm |
| 2 | 2301-096 | Washer, Cup 5/8 Spring | 16 | 1102-013 | Key, Woodruff RC45 |
| 3 | 2303-012 | Wheel, Steering | 17 | 0204-161 | Bearing, Upper Str. |
| 4 | 0209-108 | HHCS, 5/16Cx3/4G5 (2) | 18 | 2301-028 | Washer, 3/4 SAE Ft |
| 5 | 0806-229 | Housing, Steer-Asm | 19 | 2301-004 | Washer, 5/16 Lock (2) |
| 6 | 0702-149 | Gear, Steer-Asm | 20 | 1401-020 | Nut, 5/16C Hex (2) |
| 7 | 1401-051 | Nut, 1/2F Hex Cen Lk (2) | 21 | 1604-042 | Pin, Cotter 1/8x1 |
| 8 | 2301-024 | Washer, 1/2 Flat (2) | 22 | 1401-099 | Nut, 10C Hex Cenloc |
| 9 | 1913-288 | Spacer, Steer. Gear Pvt. | 23 | 1604-163 | Pin, Spg 8MMx32MM |
| 10 | 2301-336 | Washer, Thrust 1x2 | 24 | 0208-011 | HHCS 10-24x1.75 |
| 11 | 0215-181 | Bushing, Steering | 25 | 0702-150 | Gear, Steering-Pin |
| 12 | 1913-287 | Spacer, Steer. Gear Pvt. | 26 | 0215-182 | Bushing, Steering |
| 13 | 0209-519 | HHCS, 1/2Fx1-1/2G5 | 27 | 1901-041 | Screw, #8x1/2 Self Thrd. (2) |
| 14 | 0209-517 | HHCS, 1/2Fx2G5 | 28 | 2301-055 | Washer, Conical |

STEERING COMPONENTS



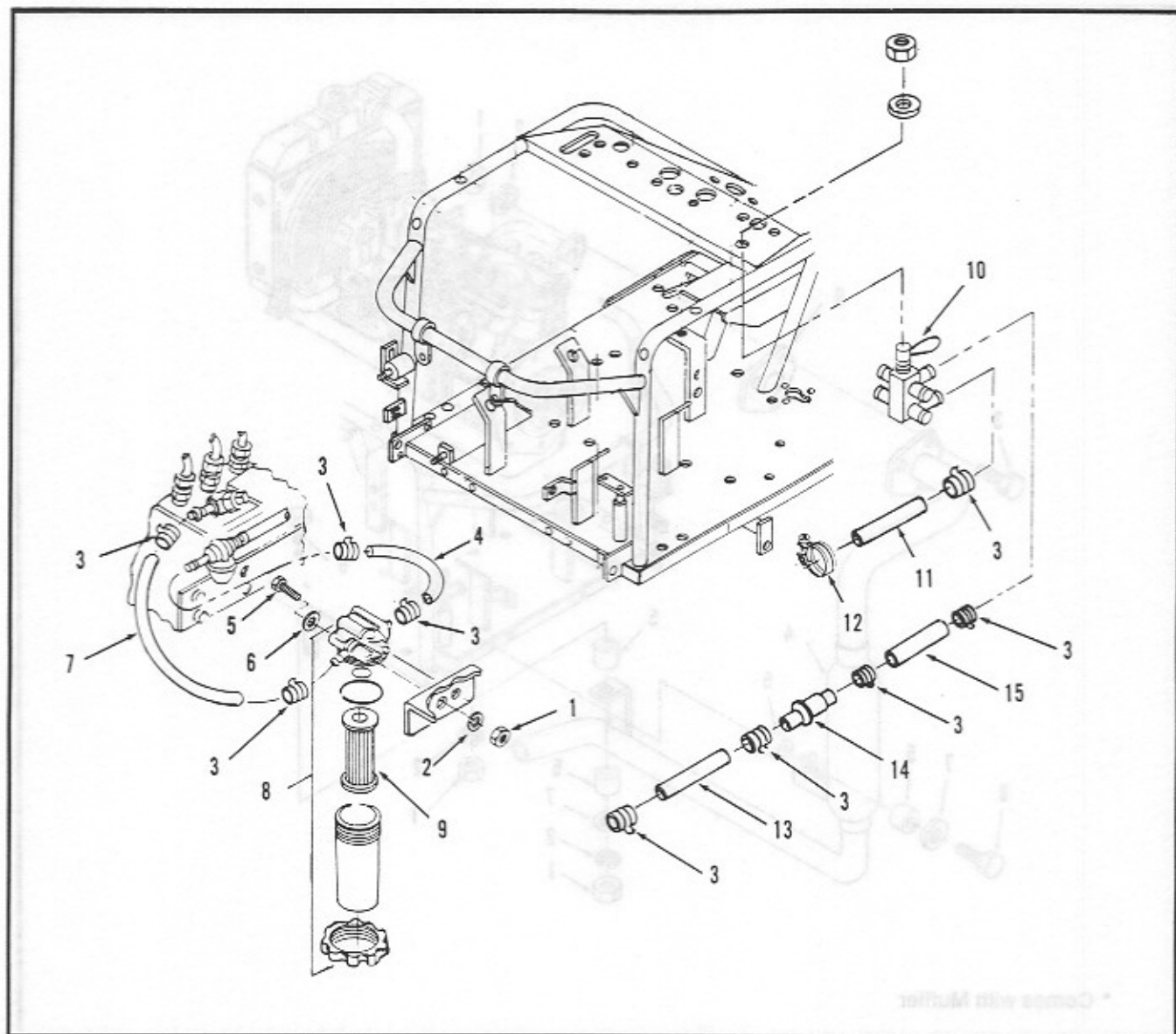
| ITEM | PART NO. | DESCRIPTION | ITEM | PART NO. | DESCRIPTION |
|------|----------|---------------------------|------|----------|-----------------------------|
| 1 | 0209-510 | HHCS, 1/2Fx1-3/4G5 | 13 | 1804-025 | Seal/Retainer (2) |
| 2 | 1102-002 | Key, Sq. 1/4x1 | 14 | 0204-075 | Bearing, Cone (4) |
| 3 | 0311-097 | Collar, Steer-Arm | 15 | 0312-016 | Race Bearing (4) |
| 4 | 1901-034 | Screw Set, 3/8 X 3/4 (2) | 16 | 0807-022 | Hub Assem.(2) |
| 5 | 2301-008 | Washer, 1/2 Lock (4) | 17 | 1401-096 | Nut, Castle (2) |
| 6 | 0502-018 | Rod End, Female (2) | 18 | 1401-057 | Nut, Lug 1/2 F Tapered (10) |
| 7 | 1401-051 | Nut, 1/2 F Hex Cen Lk (3) | 19 | 2305-024 | Wheel Assem. (2) |
| 8 | 1808-299 | Rod, Steering Link | 20 | 1906-010 | Cover, Dust (2) |
| 9 | 1401-054 | Nut, Hex 1/2F (2) | 21 | 1604-042 | Pin, Cotter 1/8 x 1 (2) |
| 10 | 2301-031 | Washer, 7/16 Flat (2) | 22 | 2301-097 | Washer, thrust 1.53 (2) |
| 11 | 0209-519 | HHCS. 1/2F x 1- 1/2G5 | 23 | 0204-078 | Bearing, Thrust |
| 12 | 2501-054 | Yoke Assem. | 24 | 0215-101 | Bushing |

FUEL SYSTEM



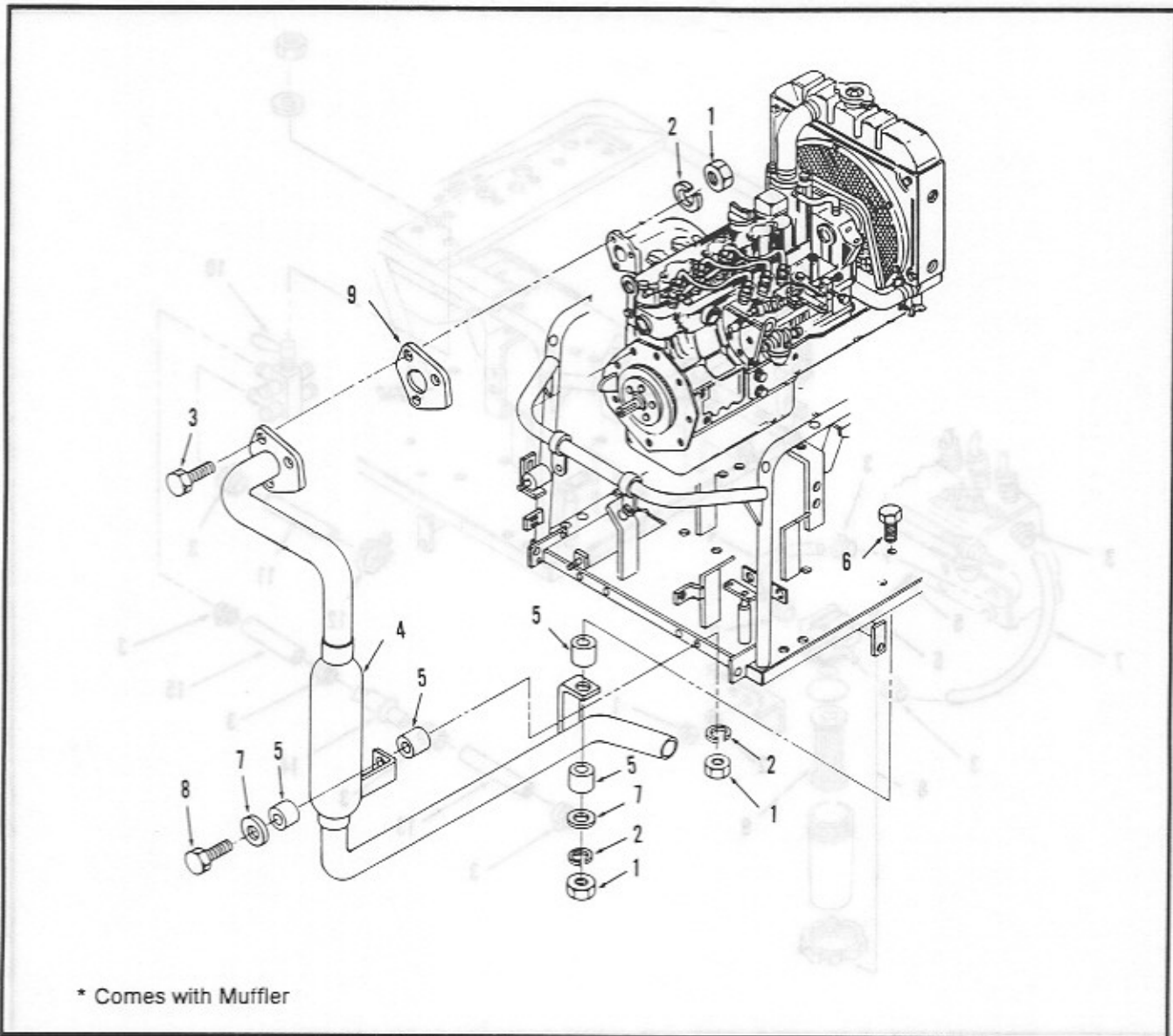
| ITEM | PART NO. | DESCRIPTION | ITEM | PART NO. | DESCRIPTION |
|------|----------|-------------------------|------|----------|-----------------------|
| 1 | 1401-020 | Nut, 5/16C Hex (8) | 12 | 1918-022 | Strap, Tank Mount (4) |
| 2 | 2301-004 | Washer, 5/16 Lock (8) | 13 | 2001-026 | Tank Asm. (2) |
| 3 | 0214-523 | Brk't, Tank Mt. LH | 14 | 2301-003 | Washer, 1/4 Lock (4) |
| 4 | 0307-026 | Clamp, Hose (8) | 15 | 1401-009 | Nut, 1/4C Cenloc (4) |
| 5 | 0209-032 | HHCS, 1/4Cx1-1/4G5 (4) | 16 | 0209-835 | BLT, 5/16Cx2 CRVH (4) |
| 6 | 0209-108 | HHCS, 5/16Cx3/4G5 | 17 | 0812-094 | Line, 37" Fuel (2) |
| 7 | 1811-004 | Rubber, Leon Gromet (4) | 18 | 0812-093 | Line, 32" Fuel |
| 8 | 0812-096 | Line, 24-1/2" Fuel | 19 | 2301-021 | Washer, 5/16 Flat (2) |
| 9 | 0812-088 | Line, 27" Fuel | 20 | 0213-008 | Brce, Fuel Tank |
| 10 | 0214-479 | Brk't, Tank Mt. LH | 21 | 0214-189 | Brk't, Tank Mt. RH |
| 11 | 0209-114 | HHCS, 5/16x1G5 (3) | | | |

FUEL SYSTEM



| ITEM | PART NO. | DESCRIPTION | ITEM | PART NO. | DESCRIPTION |
|------|------------|---------------------|------|----------|-----------------------------|
| 1 | 1401-020 | Nut, 5/16C Hex | 9 | 0610-020 | Filter Element, Diesel Fuel |
| 2 | 2301-004 | Washer, 5/16 Lock | 10 | 2201-039 | Valve, Fuel |
| 3 | 0307-026 | Clamp, Hose (9) | 11 | 0812-094 | Line, 3/7" Fuel |
| 4 | 0812-092 | Line, 22" Fuel | 12 | 0307-045 | Clamp, Hose .28-.62 |
| 5 | 0209-161 | HHCS, 5/16Cx3G5 | 13 | 0812-097 | Line, 13" Fuel |
| 6 | 2301-021 | Washer, 5/16 Flat | 14 | 0610-011 | Filter, Fuel |
| 7 | 0812-070 | Line, 16" Fuel | 15 | 0812-098 | Line, 8" Fuel |
| 8 | P/O Engine | Filter, Diesel Fuel | | | |

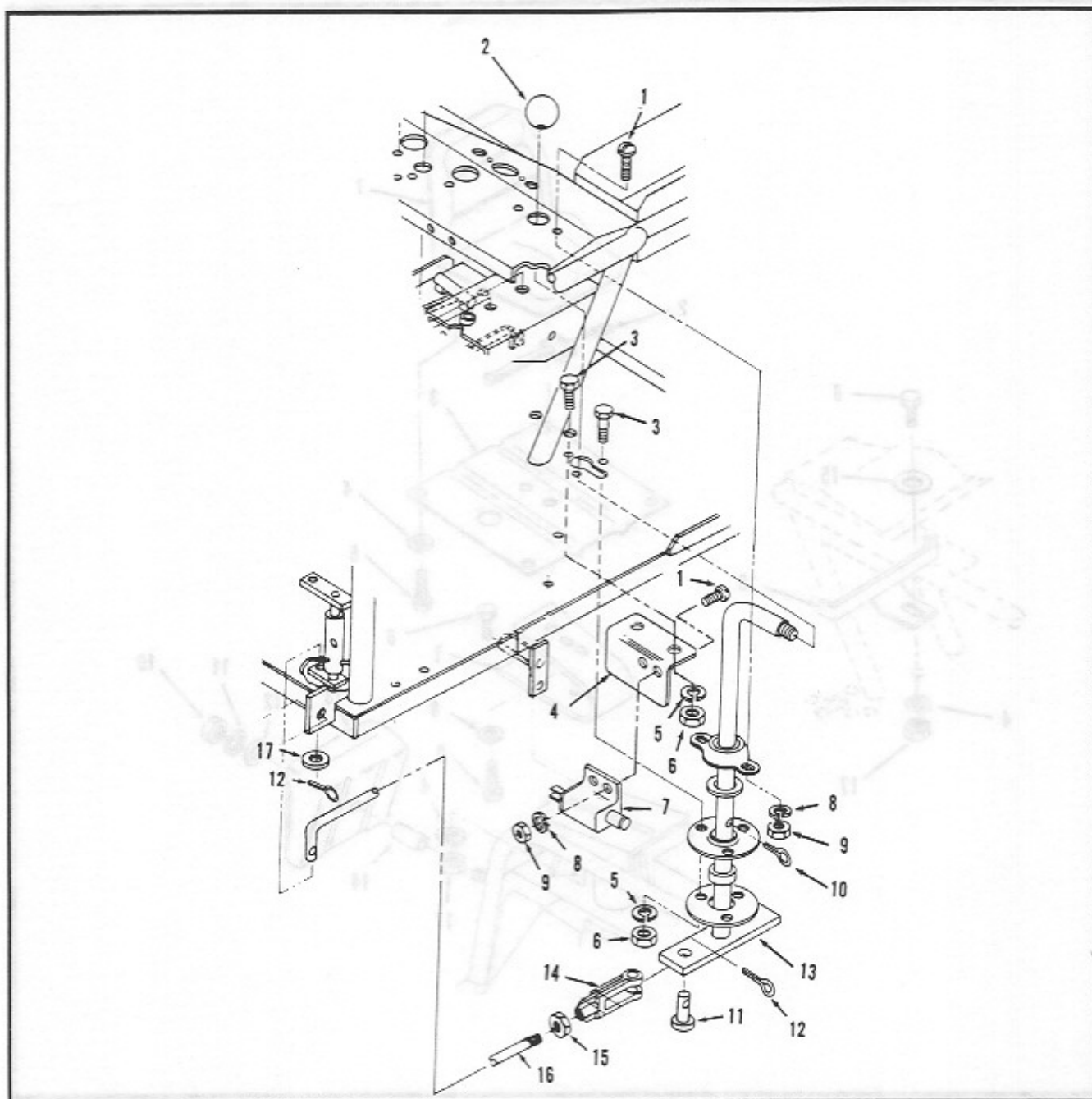
EXHAUST SYSTEM



* Comes with Muffler

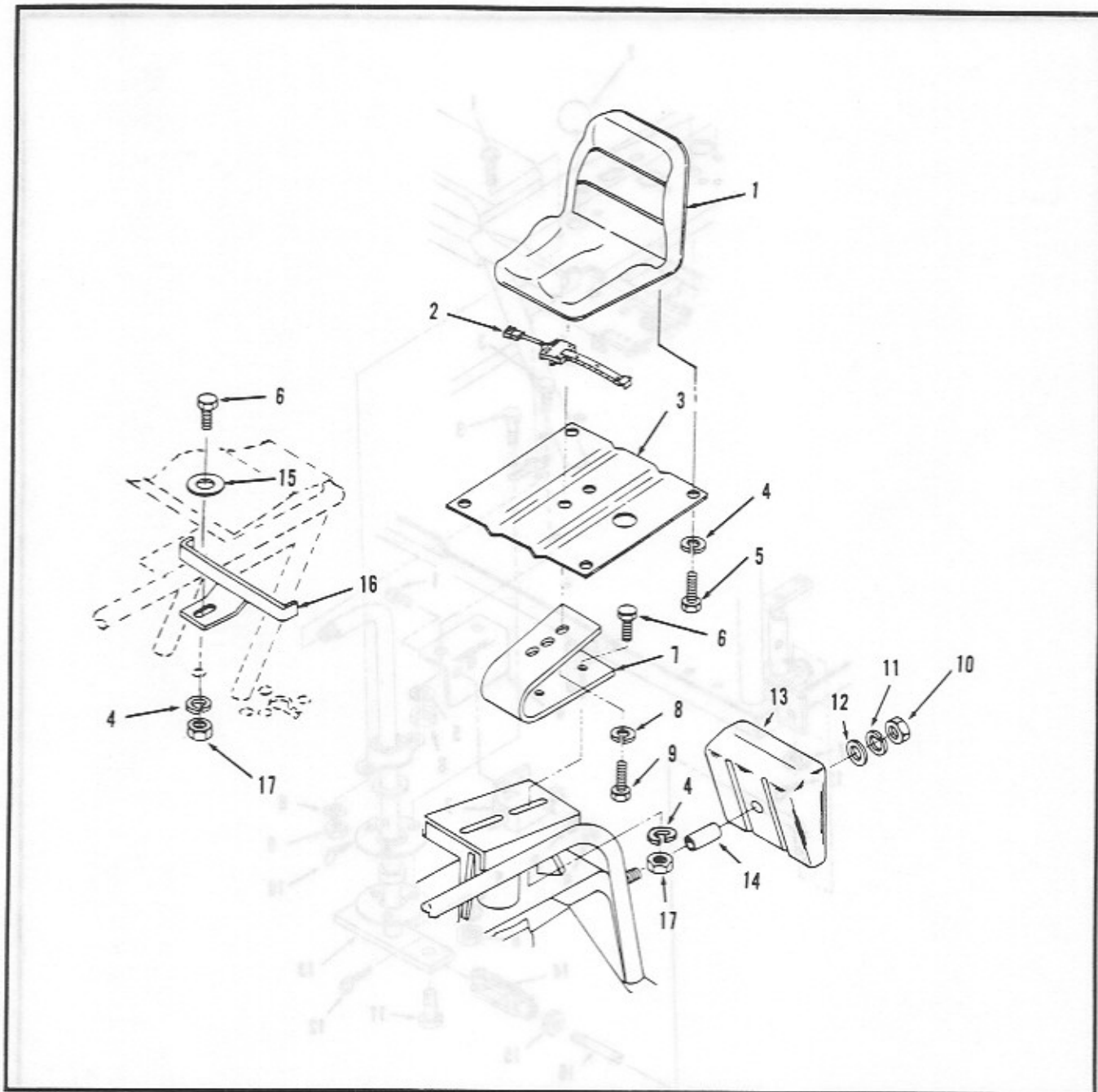
| ITEM | PART NO. | DESCRIPTION | ITEM | PART NO. | DESCRIPTION |
|------|----------|----------------------------|------|----------|-----------------------|
| 1 | 1401-020 | Nut, 5/16C Hex (3) | 6 | 0209-138 | HHCS, 5/16Cx2G5 |
| 2 | 2301-004 | Washer, 5/16 Lock (3) | 7 | 2301-021 | Washer, 5/16 Flat (2) |
| 3 | 0209-120 | HHCS, 5/16 x 1 1/4G5 (3) | 8 | 0209-161 | HHCS, 5/16Cx3G5 |
| 4 | 1304-028 | Muffler | 9 | | * Gasket, Muffler |
| 5 | 1924-004 | * Shock Spacer Muffler (4) | | | |

BLADE CONTROL LEVER



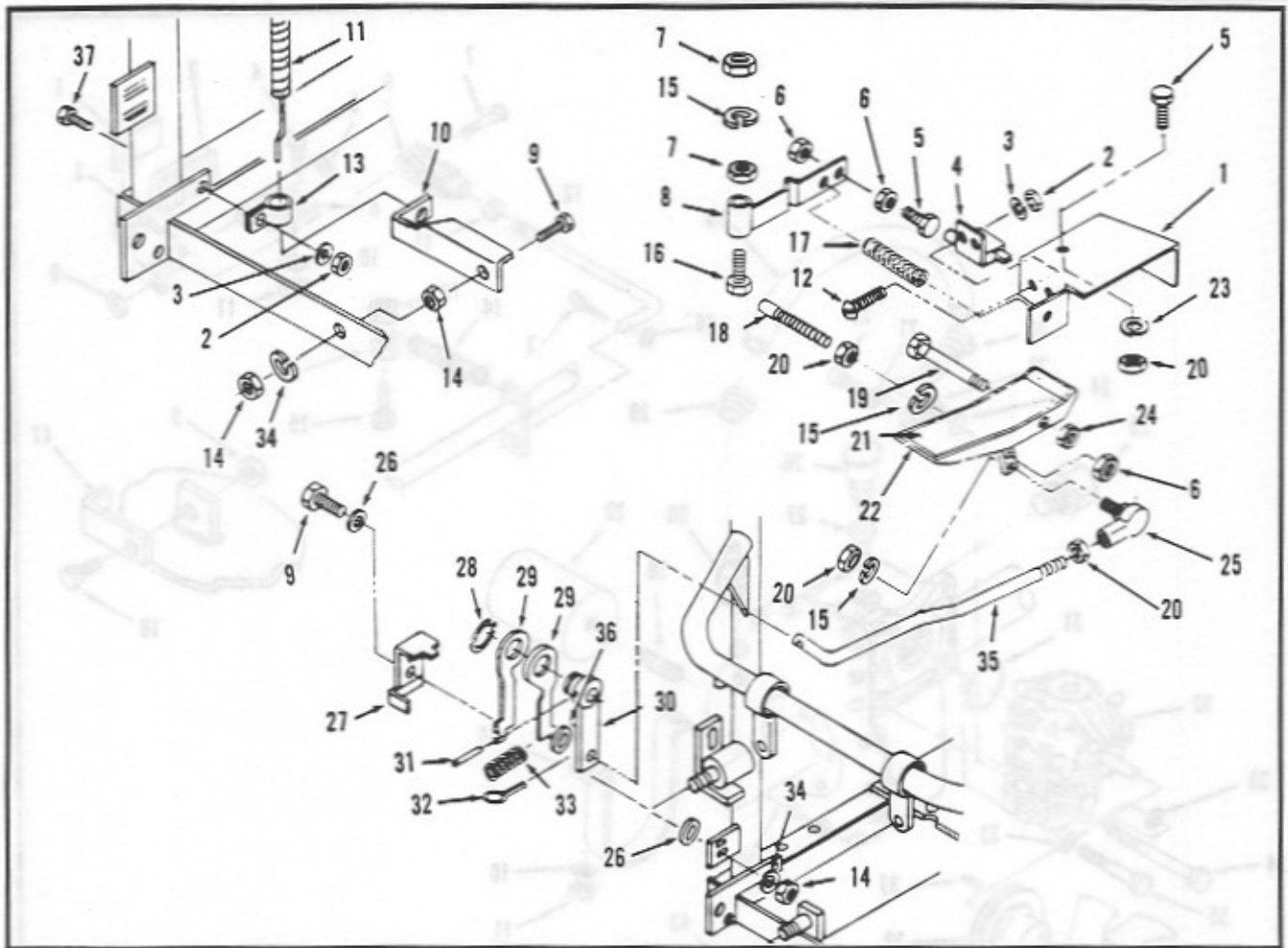
| ITEM | PART NO. | DESCRIPTION | ITEM | PART NO. | DESCRIPTION |
|------|----------|-----------------------|------|----------|-----------------------|
| 1 | 1901-229 | HWHS, 10Cx1/2 (4) | 10 | 1604-042 | Pin, Cotter 1/8x1 |
| 2 | 1104-012 | Knob, 3/8x16 (Hyd) | 11 | 1604-061 | Pin, Rivet 3/8x1 |
| 3 | 0209-021 | HHCS, 1/4C x3/4G5 (5) | 12 | 1604-086 | Pin, Ctr 3/32x1/2 (2) |
| 4 | 0214-527 | Brk't, Switch Blade | 13 | 1201-098 | Lever, Bld Eng Asm |
| 5 | 2301-003 | Washer, 1/4C Lock (5) | 14 | 2501-030 | Yoke |
| 6 | 1401-010 | Nut, 1/4C Hex (5) | 15 | 1401-030 | Nut, 3/8 C Hex |
| 7 | 1923-025 | Switch | 16 | 1808-300 | Rod, Blade Engage |
| 8 | 2301-001 | Washer, 3/16 Lock (4) | 17 | 2301-022 | Washer, 3/8 Flat |
| 9 | 1401-001 | Nut, 10C Hex (4) | | | |

OPERATOR SEAT



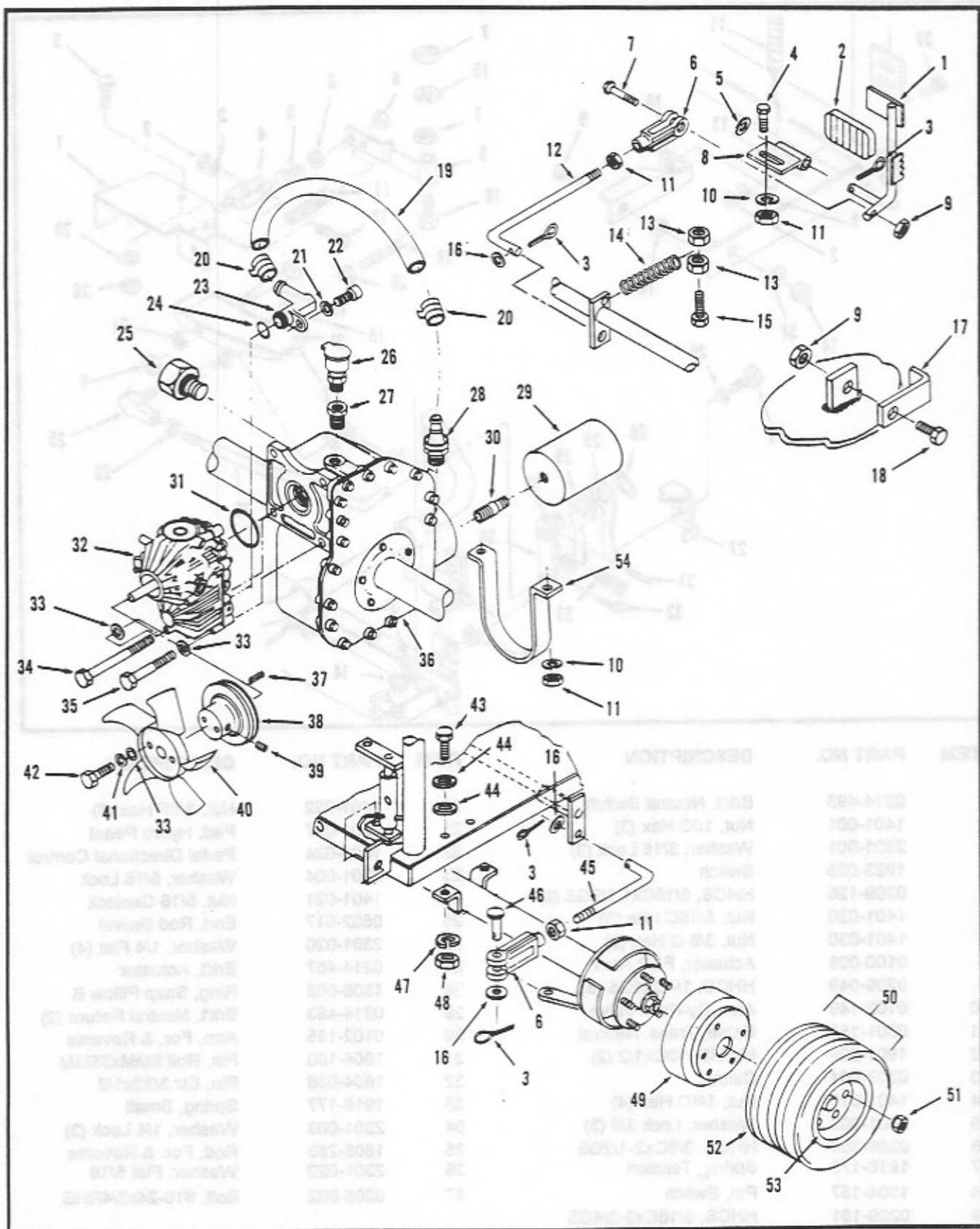
| ITEM | PART NO. | DESCRIPTION | ITEM | PART NO. | DESCRIPTION |
|------|----------|-----------------------|------|----------|-----------------------|
| 1 | 1903-022 | Seat, Tractor | 10 | 1401-071 | Nut, 5/8F Hex |
| 2 | 1923-029 | Switch, Seat Safety | 11 | 2301-010 | Washer, 5/8 Lock |
| 3 | 0214-180 | Brkt-Seat Mnt | 12 | 2301-028 | Washer, 3/4 SAE FLT |
| 4 | 2301-004 | Washer, 5/16 Lock (7) | 13 | 2304-009 | Weight, Rider |
| 5 | 0209-108 | HHCS, 5/16Cx3/4G5 (4) | 14 | 1913-206 | Sleeve, For Weight |
| 6 | 0209-114 | HHCS, 5/16Cx1G5 (3) | 15 | 2301-021 | Washer, 5/16 Flat (1) |
| 7 | 1916-080 | Spring, Seat | 16 | 0214-206 | Bracket |
| 8 | 2301-008 | Washer, 1/2 Lock (2) | 17 | 1401-020 | Nut, 5/16C Hex(3) |
| 9 | 0209-480 | HHCS, 1/2Cx1G5 (2) | | | |

TRANSMISSION CONTROL PEDAL



| ITEM | PART NO. | DESCRIPTION | ITEM | PART NO. | DESCRIPTION |
|------|----------|-------------------------|------|----------|---------------------------|
| 1 | 0214-493 | Brkt, Neutral Switch | 20 | 1401-032 | Nut, 3/8F Hex (3) |
| 2 | 1401-001 | Nut, 10C Hex (3) | 21 | 1601-017 | Pad, Hydro Pedal |
| 3 | 2301-001 | Washer, 3/16 Lock (3) | 22 | 1602-024 | Pedal Directional Control |
| 4 | 1923-025 | Switch | 23 | 2301-004 | Washer, 5/16 Lock |
| 5 | 0209-126 | HHCS, 5/16Cx1 1/2G5 (2) | 24 | 1401-021 | Nut, 5/16 Cenlock |
| 6 | 1401-020 | Nut, 5/16C Hex (3) | 25 | 0502-017 | End, Rod Swivel |
| 7 | 1401-030 | Nut, 3/8 C Hex (2) | 26 | 2301-020 | Washer, 1/4 Flat (4) |
| 8 | 0100-008 | Actuator, F&R Asm | 27 | 0214-467 | Brkt, Actuator |
| 9 | 0209-049 | HHCS, 1/4Cx1G5 (3) | 28 | 1806-008 | Ring, Snap Pillow B |
| 10 | 0102-149 | Arm, By-Pass Valve | 29 | 0214-453 | Brkt, Neutral Return (2) |
| 11 | 0301-155 | Cable, Trans. Neutral | 30 | 0102-135 | Arm, For. & Reverse |
| 12 | 1901-229 | HWHS, 10Cx1/2 (2) | 31 | 1604-160 | Pin, Roll 6MMx35MM |
| 13 | 0307-004 | Clamp | 32 | 1604-086 | Pin, Ctr 3/32x1/2 |
| 14 | 1401-010 | Nut, 1/4C Hex (4) | 33 | 1916-177 | Spring, Small |
| 15 | 2301-006 | Washer, Lock 3/8 (3) | 34 | 2301-003 | Washer, 1/4 Lock (3) |
| 16 | 0209-350 | HHCS, 3/8Cx2-1/2G5 | 35 | 1808-283 | Rod, For. & Reverse |
| 17 | 1916-175 | Spring, Tension | 36 | 2301-022 | Washer, Flat 5/16 |
| 18 | 1604-157 | Pin, Switch | 37 | 0208-002 | Bolt, #10-24x3/4RHS |
| 19 | 0209-181 | HHCS, 5/16Cx3-3/4G5 | | | |

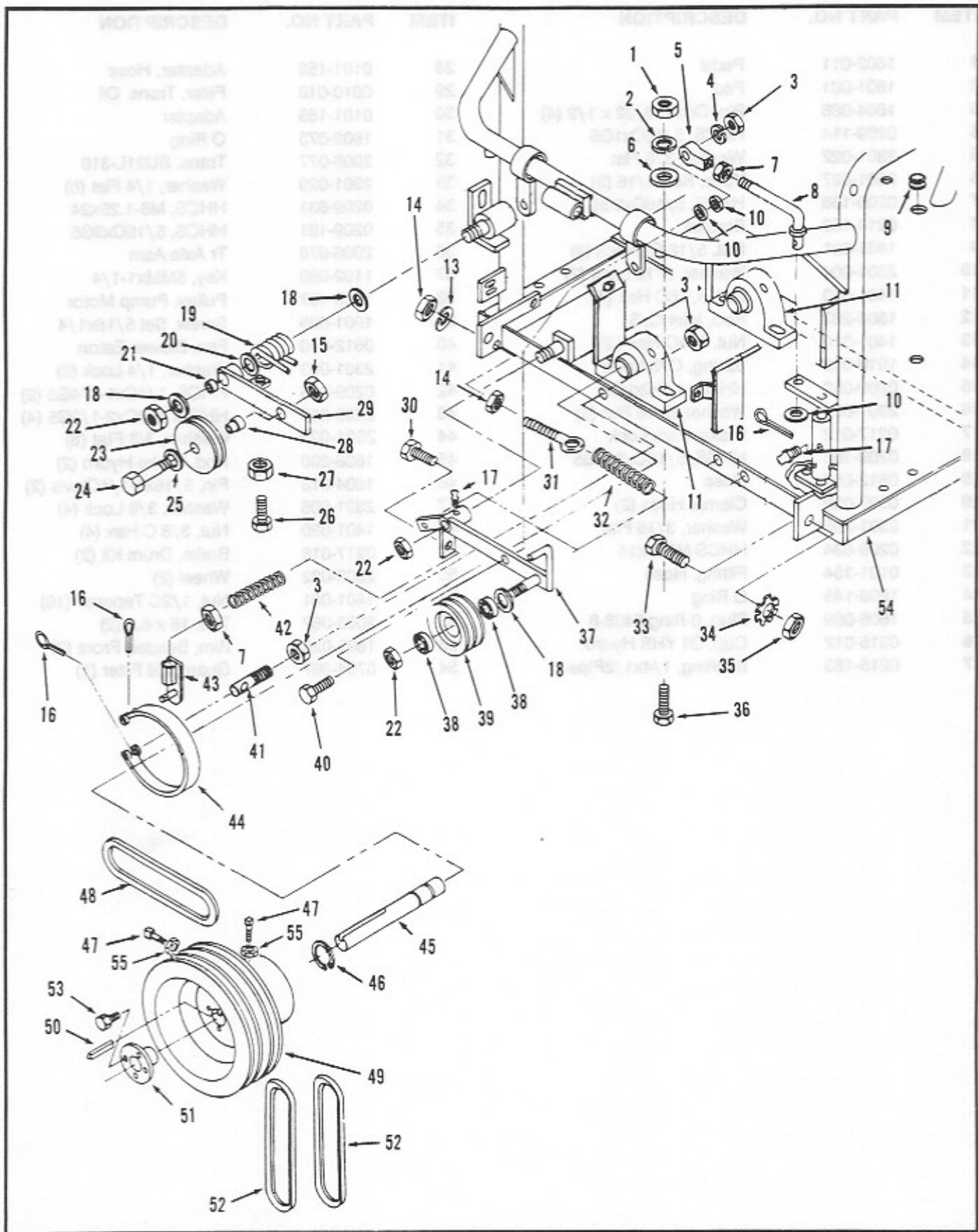
TRACTION DRIVE SYSTEM



TRACTION DRIVE SYSTEM

| ITEM | PART NO. | DESCRIPTION | ITEM | PART NO. | DESCRIPTION |
|------|----------|----------------------------|------|----------|---------------------------|
| 1 | 1602-011 | Pedal | 28 | 0101-153 | Adapter, Hose |
| 2 | 1601-001 | Pad | 29 | 0610-018 | Filter, Trans. Oil |
| 3 | 1604-086 | Pin, Cotter 3/32 x 1/2 (4) | 30 | 0101-155 | Adapter |
| 4 | 0209-114 | HHCS, 5/16Cx1G5 | 31 | 1902-073 | O Ring |
| 5 | 2301-022 | Washer, 3/8 Flat | 32 | 2006-077 | Trans. BU21L-310 |
| 6 | 2501-027 | Yoke, Rod 5/16 (3) | 33 | 2301-020 | Washer, 1/4 Flat (6) |
| 7 | 0209-138 | HHCS, 5/16Cx2G5 | 34 | 0209-831 | HHCS, M8-1.25x24 |
| 8 | 0214-153 | Bracket | 35 | 0209-161 | HHCS, 5/16Cx3G5 |
| 9 | 1401-021 | Nut, 5/16 Cenlock (2) | 36 | 2006-078 | Tr Axle Asm |
| 10 | 2301-004 | Washer, 5/16 Lock (2) | 37 | 1102-059 | Key, 5MMx1-1/4 |
| 11 | 1401-020 | Nut, 5/16C Hex (4) | 38 | 1608-407 | Pulley, Pump Motor |
| 12 | 1808-287 | Rod, Idler C/S | 39 | 1901-006 | Screw, Set 5/16x1/4 |
| 13 | 1401-010 | Nut, 1/4C Hex (2) | 40 | 0612-006 | Fan, Blower Eaton |
| 14 | 1916-012 | Spring, C/S Lever | 41 | 2301-003 | Washer, 1/4 Lock (2) |
| 15 | 0209-050 | HHCS, 1/4Cx2G5 | 42 | 0209-045 | HHCS, 1/4Cx1-3/4G5 (2) |
| 16 | 2301-021 | Washer, 5/16 Flat (3) | 43 | 0209-350 | HHCS, 3/8Cx2-1/2G5 (4) |
| 17 | 0217-012 | Brake, Park Lock | 44 | 2301-022 | Washer, 3/8 Flat (8) |
| 18 | 0209-108 | HHCS, 5/16Cx3/4G5 | 45 | 1808-200 | Rod, Brake Hydro (2) |
| 19 | 0812-067 | Hose | 46 | 1604-013 | Pin, 5/16x1-1/4Clevis (2) |
| 20 | 0307-039 | Clamp, Hose (2) | 47 | 2301-006 | Washer, 3/8 Lock (4) |
| 21 | 2301-296 | Washer, 3/16 Flat | 48 | 1401-030 | Nut, 3/8 C Hex (4) |
| 22 | 0209-834 | HHCS M6x1x14 | 49 | 0217-018 | Brake, Drum Kit (2) |
| 23 | 0101-154 | Fitting, Hose | 50 | 2305-022 | Wheel (2) |
| 24 | 1806-145 | O Ring | 51 | 1401-061 | Nut, 1/2C Tapered (10) |
| 25 | 1606-069 | Plug, O-Ring 6408-8 | 52 | 2003-067 | Tire, 16 x 6.5 (2) |
| 26 | 0315-012 | Cup, Oil YHR Hydro | 53 | 1805-026 | Rim, Beaded Front (2) |
| 27 | 0215-183 | Bushing, 1/4x1/2Pipe | 54 | 0704-367 | Guard, Oil Filter (1) |

BELT DRIVES

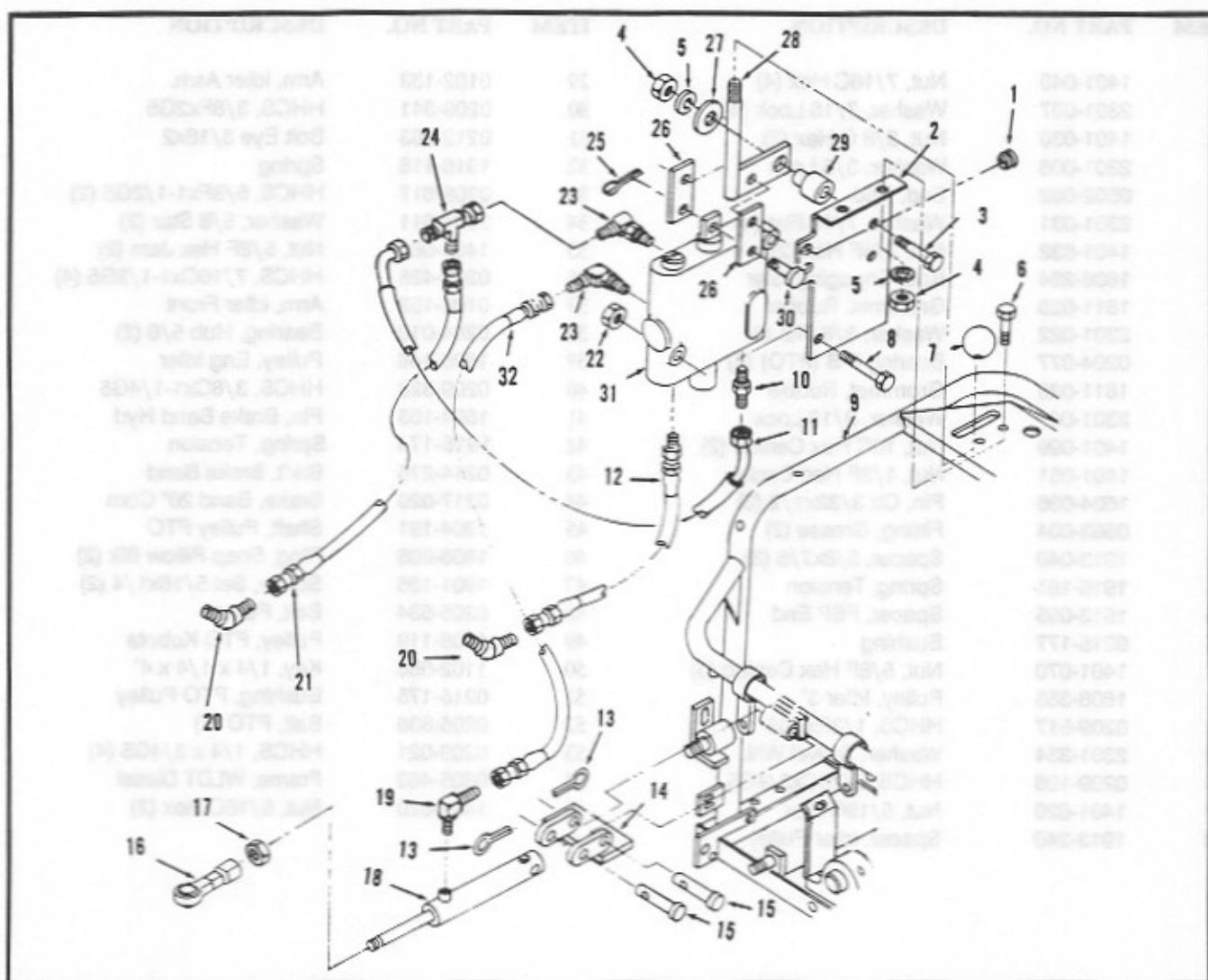


BELT DRIVES

| ITEM | PART NO. | DESCRIPTION | ITEM | PART NO. | DESCRIPTION |
|------|----------|--------------------------|------|----------|---------------------------|
| 1 | 1401-040 | Nut, 7/16C Hex (4) | 29 | 0102-133 | Arm, Idler Asm. |
| 2 | 2301-007 | Washer, 7/16 Lock (4) | 30 | 0209-341 | HHCS, 3/8Fx2G5 |
| 3 | 1401-030 | Nut, 3/8 C Hex (2) | 31 | 0212-003 | Bolt Eye 3/16x2 |
| 4 | 2301-006 | Washer, 3/8 Lock | 32 | 1916-116 | Spring |
| 5 | 0502-002 | End, Rod | 33 | 0209-617 | HHCS, 5/8Fx1-1/2G5 (2) |
| 6 | 2301-031 | Washer, 7/16 Flat (4) | 34 | 2301-011 | Washer, 5/8 Star (2) |
| 7 | 1401-032 | Nut, 3/8F Hex (2) | 35 | 1401-069 | Nut, 5/8F Hex Jam (2) |
| 8 | 1808-284 | Rod, Engaging Idler | 36 | 0209-425 | HHCS, 7/16Cx1-1/2G5 (4) |
| 9 | 1811-028 | Grommet, Rubber | 37 | 0102-152 | Arm, Idler Front |
| 10 | 2301-022 | Washer, 3/8 Flat (3) | 38 | 0204-019 | Bearing, Hub 5/8 (2) |
| 11 | 0204-077 | Bearing P B (PTO) (2) | 39 | 1608-148 | Pulley, Eng Idler |
| 12 | 1811-025 | Grommet, Rubber | 40 | 0209-320 | HHCS, 3/8Cx1-1/4G5 |
| 13 | 2301-001 | Washer, 3/16 Lock | 41 | 1604-103 | Pin, Brake Band Hyd |
| 14 | 1401-099 | Nut, 10C Hex Cenloc (2) | 42 | 1916-174 | Spring, Tension |
| 15 | 1401-051 | Nut, 1/2F Hec Cenloc | 43 | 0214-276 | Brk't, Brake Band |
| 16 | 1604-086 | Pin, Ctr 3/32x1/2 (3) | 44 | 0217-020 | Brake, Band 20" Com |
| 17 | 0603-004 | Fitting, Grease (2) | 45 | 1904-191 | Shaft, Pulley PTO |
| 18 | 1913-040 | Spacer, 5/8x7/8 (3) | 46 | 1806-008 | Ring, Snap Pillow Blk (2) |
| 19 | 1916-161 | Spring, Tension | 47 | 1901-136 | Screw, Set 5/16x1/4 (2) |
| 20 | 1913-095 | Spacer, FSP End | 48 | 0205-534 | Belt, Pump |
| 21 | 0215-177 | Bushing | 49 | 1608-119 | Pulley, PTO Kubota |
| 22 | 1401-070 | Nut, 5/8F Hex Cenloc (3) | 50 | 1102-058 | Key, 1/4 x 1/4 x 4" |
| 23 | 1608-365 | Pulley, Idler 3" | 51 | 0215-175 | Bushing, PTO Pulley |
| 24 | 0209-517 | HHCS, 1/2Fx2G5 | 52 | 0205-538 | Belt, PTO (2) |
| 25 | 2301-334 | Washer, Swivel Whl. | 53 | 0209-021 | HHCS, 1/4 x 3/4G5 (4) |
| 26 | 0209-108 | HHCS, 5/16Cx3/4G5 | 54 | 0605-463 | Frame, WLDT Diesel |
| 27 | 1401-020 | Nut, 5/16C Hex | 55 | 1401-020 | Nut, 5/16C Hex (2) |
| 28 | 1913-240 | Spacer, Idler Pulley | | | |

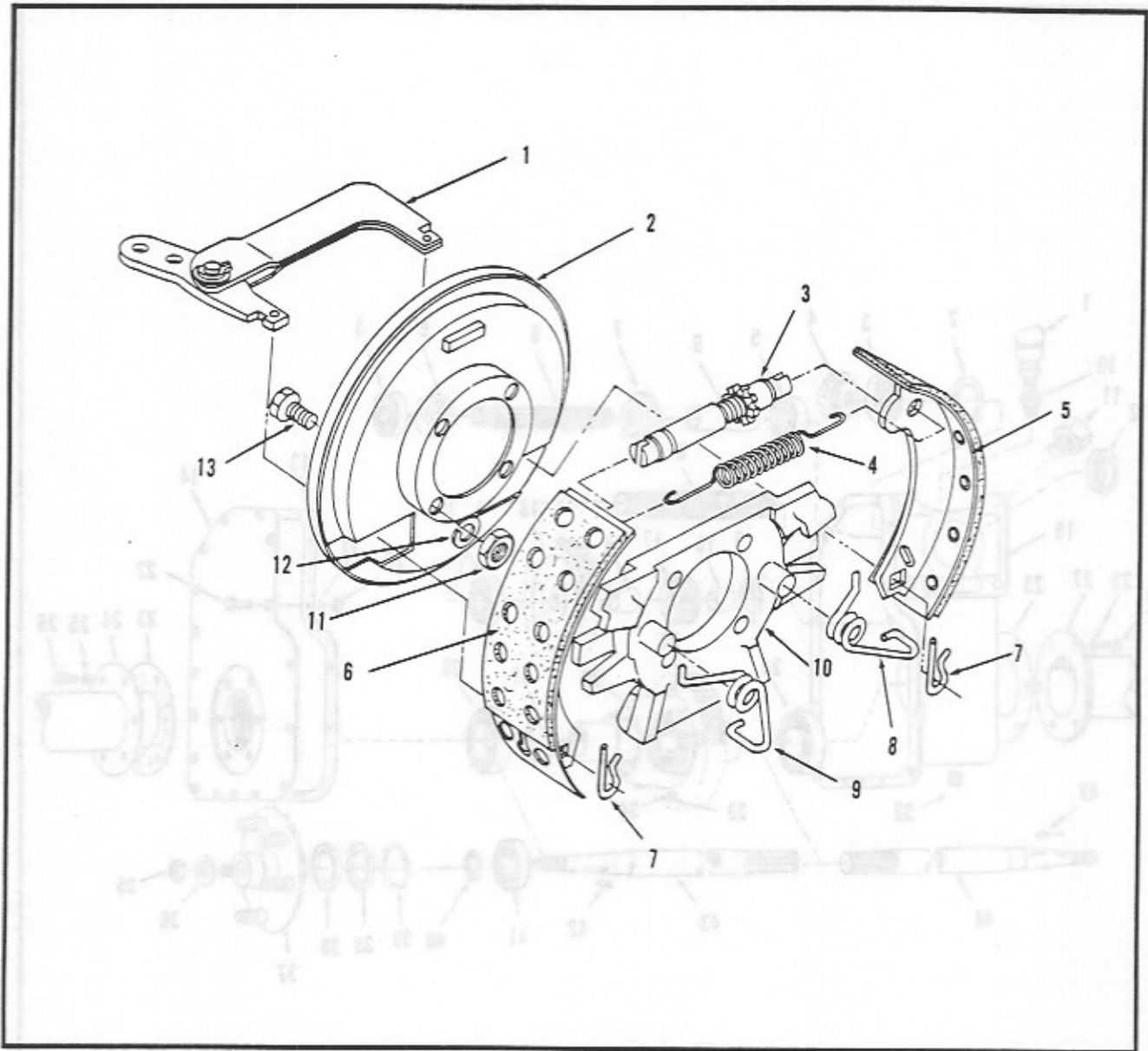
| DESCRIPTION | PART NO. | ITEM | DESCRIPTION | PART NO. | ITEM |
|---------------------------|----------|------|-------------------------|----------|------|
| End Rod 8" | 0205-012 | 18 | Rubber Linn O-rings (2) | 1811-031 | 1 |
| Adapter Mkt | 0204-020 | 19 | Brk Valve Horn | 0214-028 | 2 |
| Frame, Wldt Diesel | 0605-463 | 20 | HHCS, 5/16Cx1-1/2G5 (2) | 0209-122 | 3 |
| Brk't, Brake Band | 0214-276 | 21 | Nut, 5/8F Hex (2) | 1401-030 | 4 |
| Belt, PTO (2) | 0205-538 | 22 | Washer, 5/16 Lock (2) | 2301-006 | 5 |
| Bushing, PTO Pulley | 0215-175 | 23 | HHCS, 5/16Cx1/2G5 (2) | 0209-108 | 6 |
| Key, 1/4 x 1/4 x 4" | 1102-058 | 24 | Knob, 3/8x1 Hyd | 1104-012 | 7 |
| Pulley, PTO Kubota | 1608-119 | 25 | HHCS, 1/4Cx3/4G5 (2) | 0209-012 | 8 |
| Belt, Pump | 0205-534 | 26 | Frame, Wldt Diesel | 0605-463 | 9 |
| Screw, Set 5/16x1/4 (2) | 1901-136 | 27 | Adapter Mkt | 0204-020 | 10 |
| Ring, Snap Pillow Blk (2) | 1806-008 | 28 | Hose, Hydraulic | 0212-020 | 11 |
| Shaft, Pulley PTO | 1904-191 | 29 | Hose, Hydraulic | 0212-021 | 12 |
| Brake, Band 20" Com | 0217-020 | 30 | Qty. Harnes (2) | 0203-020 | 13 |
| Brk't, Brake Band | 0214-276 | 31 | Brk. Lin Cylinder | 0214-014 | 14 |
| Spring, Tension | 1916-174 | 32 | Brk. Valve Horn | 0214-028 | 15 |
| Pin, Brake Band Hyd | 1604-103 | 33 | HHCS, 5/16Cx1-1/2G5 (2) | 0209-122 | 16 |
| HHCS, 3/8Cx1-1/4G5 | 0209-320 | 34 | Nut, 5/8F Hex (2) | 1401-030 | 17 |
| Pulley, Eng Idler | 1608-148 | 35 | Washer, 5/16 Lock (2) | 2301-006 | 18 |
| Bearing, Hub 5/8 (2) | 0204-019 | 36 | HHCS, 5/16Cx1/2G5 (2) | 0209-108 | 19 |
| Arm, Idler Front | 0102-152 | 37 | Knob, 3/8x1 Hyd | 1104-012 | 20 |
| HHCS, 7/16Cx1-1/2G5 (4) | 0209-425 | 38 | HHCS, 1/4Cx3/4G5 (2) | 0209-012 | 21 |
| Nut, 5/8F Hex Jam (2) | 1401-069 | 39 | Frame, Wldt Diesel | 0605-463 | 22 |
| Washer, 5/8 Star (2) | 2301-011 | 40 | Adapter Mkt | 0204-020 | 23 |
| HHCS, 5/8Fx1-1/2G5 (2) | 0209-617 | 41 | Hose, Hydraulic | 0212-020 | 24 |
| Spring | 1916-116 | 42 | Hose, Hydraulic | 0212-021 | 25 |
| Bolt Eye 3/16x2 | 0212-003 | 43 | Qty. Harnes (2) | 0203-020 | 26 |
| HHCS, 3/8Fx2G5 | 0209-341 | 44 | Brk. Lin Cylinder | 0214-014 | 27 |
| Arm, Idler Asm. | 0102-133 | 45 | Brk. Valve Horn | 0214-028 | 28 |

HYDRAULIC SYSTEM



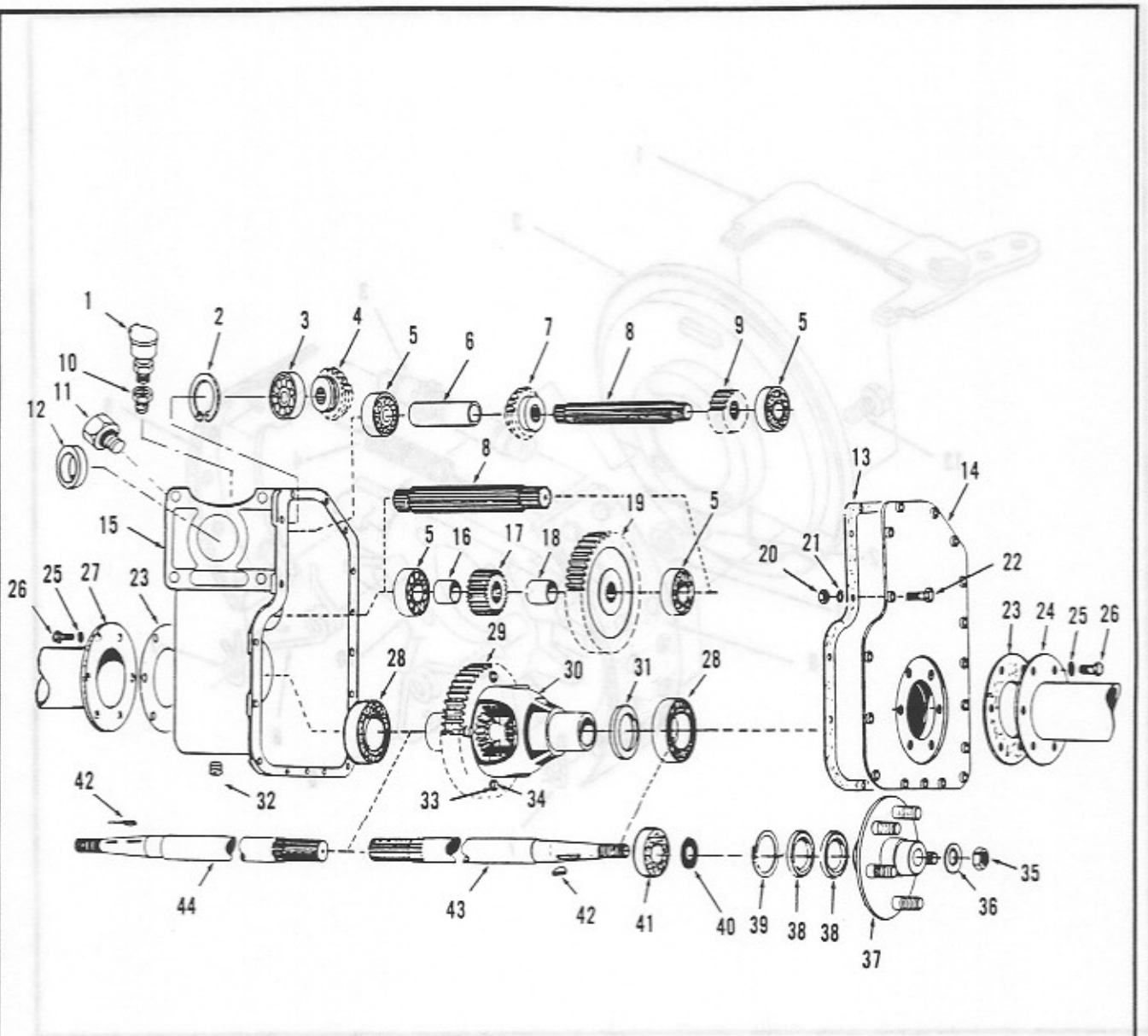
| ITEM | PART NO. | DESCRIPTION | ITEM | PART NO. | DESCRIPTION |
|------|----------|-------------------------|------|----------|-------------------------|
| 1 | 1811-004 | Rubber, Leon Gromet (2) | 17 | 1401-069 | Nut, 5/8F Hex Jam |
| 2 | 0214-528 | Brk't, Valve Mount | 18 | 0319-002 | Cylinder, Asm Leon |
| 3 | 0209-126 | HHCS, 5/16Cx1-1/2G5 (2) | 19 | 0101-116 | 6801-4 Adapter |
| 4 | 1401-020 | Nut, 5/16C Hex (3) | 20 | 0101-165 | Adapter 45 (2) |
| 5 | 2301-004 | Washer, 5/16 Lock (3) | 21 | 0812-050 | Hose, Hydraulic |
| 6 | 0209-108 | HHCS, 5/16Cx3/4G5 (2) | 22 | 1401-009 | Nut, 1/4 C Cenloc (2) |
| 7 | 1104-012 | Knob, 3/8x16 (Hyd) | 23 | 0101-117 | 6801-6 Adapter (2) |
| 8 | 0209-045 | HHCS, 1/4Cx1-3/4G5 (2) | 24 | 0101-162 | Adapter, Tee Swival |
| 9 | 0605-463 | Frame, Wldt Diesel | 25 | 1604-092 | Pin Cotter 1/16 x 1 (2) |
| 10 | 0101-159 | Adapter, Male | 26 | 1204-006 | Link, Lift Valve (2) |
| 11 | 0812-090 | Hose, Hydraulic | 27 | 2301-021 | Washer, 5/16 Flat |
| 12 | 0812-091 | Hose, Hydraulic | 28 | 1201-099 | Lever, Lift Asm. |
| 13 | 0309-030 | Clip, Hairpin (2) | 29 | 1913-286 | Spacer, Lever Pivot |
| 14 | 0214-274 | Brk't, Lift Cylinder | 30 | 1604-162 | Pin, Clevis Lift (2) |
| 15 | 1604-063 | Pin, 5/8x2-3/4 (2) | 31 | 2201-037 | Valve, Control |
| 16 | 0502-015 | End, Rod 5/8 | 32 | 0812-072 | Hose, Hyd. Lift |

BRAKE SYSTEM



| ITEM | PART NO. | DESCRIPTION | ITEM | PART NO. | DESCRIPTION |
|------|----------|-------------------------------|------|----------|-------------------------------|
| 1 | 1201-095 | Assm. Park Br. Lever (2) | 8 | 1916-144 | Spring, Shoe Ret. (RH) Rd (2) |
| 2 | 1906-015 | Shield, Dust (2) | 9 | 1916-143 | Spring, Shoe Ret. (LH) Gn (2) |
| 3 | 1901-216 | Assem., Adj. Screw Nut (2) | 10 | 1935-003 | Torque Spider, Finished (2) |
| 4 | 1916-145 | Spring, Adj. Screw (Blue) (2) | 11 | 1401-020 | Nut, 5/16C Hex (8) |
| 5 | 1908-013 | Assem., Shoe & Lining (2) | 12 | 2301-004 | Washer, 5/16 Lock (8) |
| 6 | 1908-012 | Assem., Shoe & Lining (2) | 13 | 0209-120 | HHCS, 5/16C x 1-1/4 G5 (8) |
| 7 | 1604-133 | Retainer, Lever Pin (4) | | | |

HYDROSTATIC DIFFERENTIAL



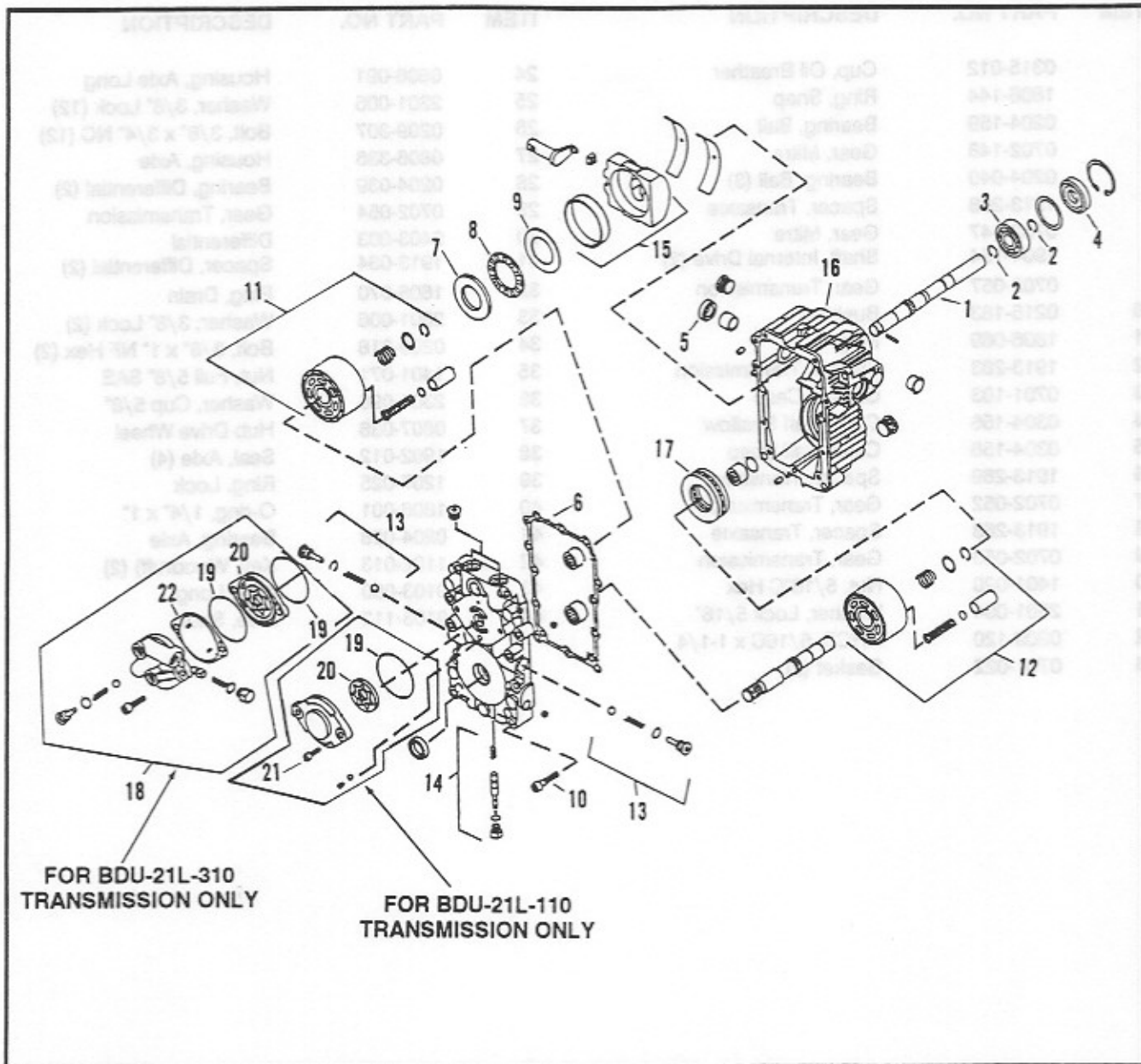
| DESCRIPTION | PART NO. | ITEM | DESCRIPTION | PART NO. | ITEM |
|-----------------------------|----------|------|--------------------------|----------|------|
| Spring Shoe Ret. (Rt) (2) | 181B-144 | 8 | Assm. Pin. Br. Lever (2) | 181-016 | |
| Spring Shoe Ret. (L) (2) | 181C-143 | 9 | Shield. Gnt. (2) | 182B-010 | |
| Torque Spider, Finished (2) | 182B-003 | 10 | Assm. Ad. Gear Ret. (2) | 182A-018 | |
| Nut, S18C Hex (2) | 1401-020 | 11 | Spring Ad. Gear (Rt) (2) | 181B-145 | |
| Washer, S18 Lock (2) | 1801-004 | 12 | Assm. Shoe & Lining (2) | 182B-012 | |
| Wash. S18C x 1-1/4 (2) | 052B-120 | 13 | Assm. Shoe & Lining (2) | 182B-013 | |
| | | | Retactor Lever Pin (4) | 182A-120 | |

HYDROSTATIC DIFFERENTIAL

| ITEM | PART NO. | DESCRIPTION | ITEM | PART NO. | DESCRIPTION |
|------|----------|---------------------------|------|----------|----------------------------|
| 1 | 0315-012 | Cup, Oil Breather | 24 | 0806-091 | Housing, Axle Long |
| 2 | 1806-144 | Ring, Snap | 25 | 2301-006 | Washer, 3/8" Lock (12) |
| 3 | 0204-159 | Bearing, Ball | 26 | 0209-307 | Bolt, 3/8" x 3/4" NC (12) |
| 4 | 0702-148 | Gear, Mitre | 27 | 0806-336 | Housing, Axle |
| 5 | 0204-040 | Bearing, Ball (3) | 28 | 0204-039 | Bearing, Differential (2) |
| 6 | 1913-268 | Spacer, Transaxle | 29 | 0702-054 | Gear, Transmission |
| 7 | 0702-147 | Gear, Mitre | 30 | 0403-003 | Differential |
| 8 | 1904-154 | Shaft, Internal Drive (2) | 31 | 1913-034 | Spacer, Differential (2) |
| 9 | 0702-057 | Gear, Transmission | 32 | 1606-070 | Plug, Drain |
| 10 | 0215-183 | Bushing | 33 | 2301-006 | Washer, 3/8" Lock (2) |
| 11 | 1606-069 | Plug | 34 | 0209-318 | Bolt, 3/8" x 1" NF Hex (2) |
| 12 | 1913-283 | Spacer, Transmission | 35 | 1401-071 | Nut, Full 5/8" SAE |
| 13 | 0701-103 | Gasket, Case | 36 | 2301-096 | Washer, Cup 5/8" |
| 14 | 0304-156 | Case, Half Shallow | 37 | 0807-036 | Hub Drive Wheel |
| 15 | 0304-158 | Case, Half Deep | 38 | 1902-012 | Seal, Axle (4) |
| 16 | 1913-269 | Spacer, Transaxle | 39 | 1207-025 | Ring, Lock |
| 17 | 0702-052 | Gear, Transmission | 40 | 1806-001 | O-ring, 1/4" x 1" |
| 18 | 1913-268 | Spacer, Transaxle | 41 | 0204-038 | Bearing, Axle |
| 19 | 0702-053 | Gear, Transmission | 42 | 1102-013 | Key, Woodruff (2) |
| 20 | 1401-020 | Nut, 5/16" C Hex | 43 | 0103-090 | Axle, Long |
| 21 | 2301-004 | Washer, Lock 5/16" | 44 | 0103-112 | Axle, Short |
| 22 | 0209-120 | HHCS, 5/16C x 1-1/4 | | | |
| 23 | 0701-022 | Gasket (2) | | | |

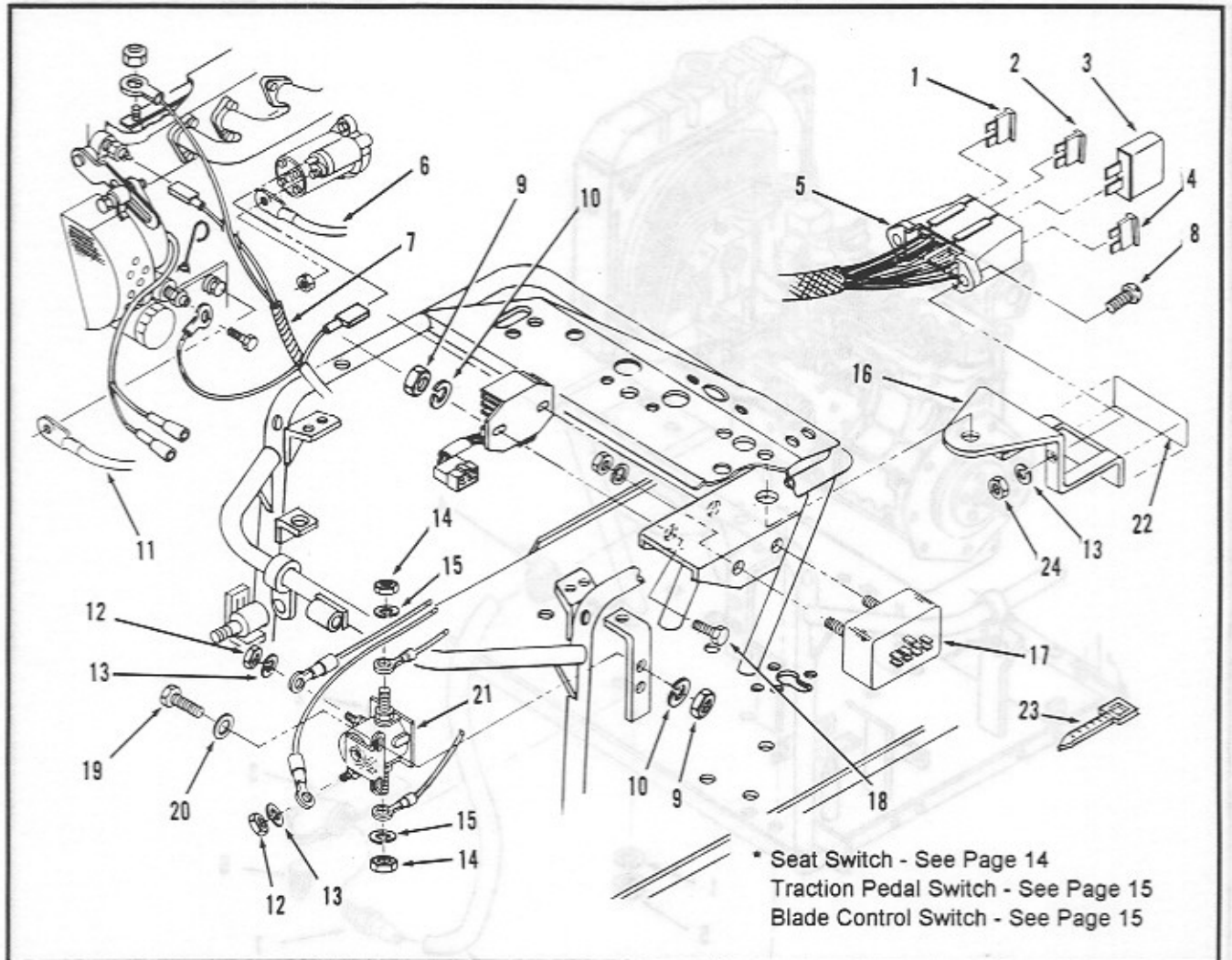
| ITEM | PART NO. | DESCRIPTION | ITEM | PART NO. | DESCRIPTION |
|------|----------|------------------------|------|----------|------------------------|
| 1 | 1804-000 | Shaft | 12 | 1102-109 | Kit, Cylinder Block |
| 2 | 1804-081 | Ring Retaining | 13 | 1102-140 | Kit, Crank Valve |
| 3 | 0204-162 | Bearing, Ball | 14 | 1102-141 | Kit, Bypass Valve |
| 4 | 1102-078 | Gear, L/R | 15 | 1102-142 | Kit, Splash Plate |
| 5 | 1802-077 | Gear, L/R | 16 | 1102-143 | Kit, Housing |
| 6 | 0701-104 | Gasket, Center Section | 17 | 0204-162 | Bearing, Needle |
| 7 | 1913-020 | Plate, Thrust | 18 | 1102-144 | Kit, Crank Pinel Valve |
| 8 | 0204-167 | Gearing, Pinion Thrust | 19 | 1802-079 | O' Ring |
| 9 | 1913-024 | Plate, Thrust | 20 | 1810-010 | Assembly, Governor |
| 10 | 1801-028 | Screw | 21 | 1801-027 | Screw |
| 11 | 1102-132 | Kit, Cylinder Block | 22 | 1801-028 | Shaft, Crank Pump |

SUNSTRAND BDU-21L-310 & 110 TRANSMISSIONS



| ITEM | PART NO. | DESCRIPTION | ITEM | PART NO. | DESCRIPTION |
|------|----------|------------------------|------|----------|--------------------------|
| 1 | 1904-296 | Shaft | 12 | 1105-139 | Kit, Cylinder Block |
| 2 | 1804-031 | Ring, Retaining | 13 | 1105-140 | Kit, Check Valve |
| 3 | 0204-165 | Bearing, Ball | 14 | 1105-141 | Kit, Bypass Valve |
| 4 | 1902-078 | Seal, Lip | 15 | 1105-142 | Kit, Splash Plate |
| 5 | 1902-077 | Seal, Lip | 16 | 1105-143 | Kit, Housing |
| 6 | 0701-104 | Gasket, Center Section | 17 | 0204-166 | Bearing, Needle |
| 7 | 1913-303 | Plate, Thrust | 18 | 1105-144 | Kit, Charge Relief Valve |
| 8 | 0204-167 | Bearing, Roller Thrust | 19 | 1902-079 | "O" Ring |
| 9 | 1913-304 | Plate, Thrust | 20 | 1810-010 | Assembly, Gerotor |
| 10 | 1901-236 | Screw | 21 | 1901-237 | Screw |
| 11 | 1105-138 | Kit, Cylinder Block | 22 | 1907-066 | Shim, Charge Pump |

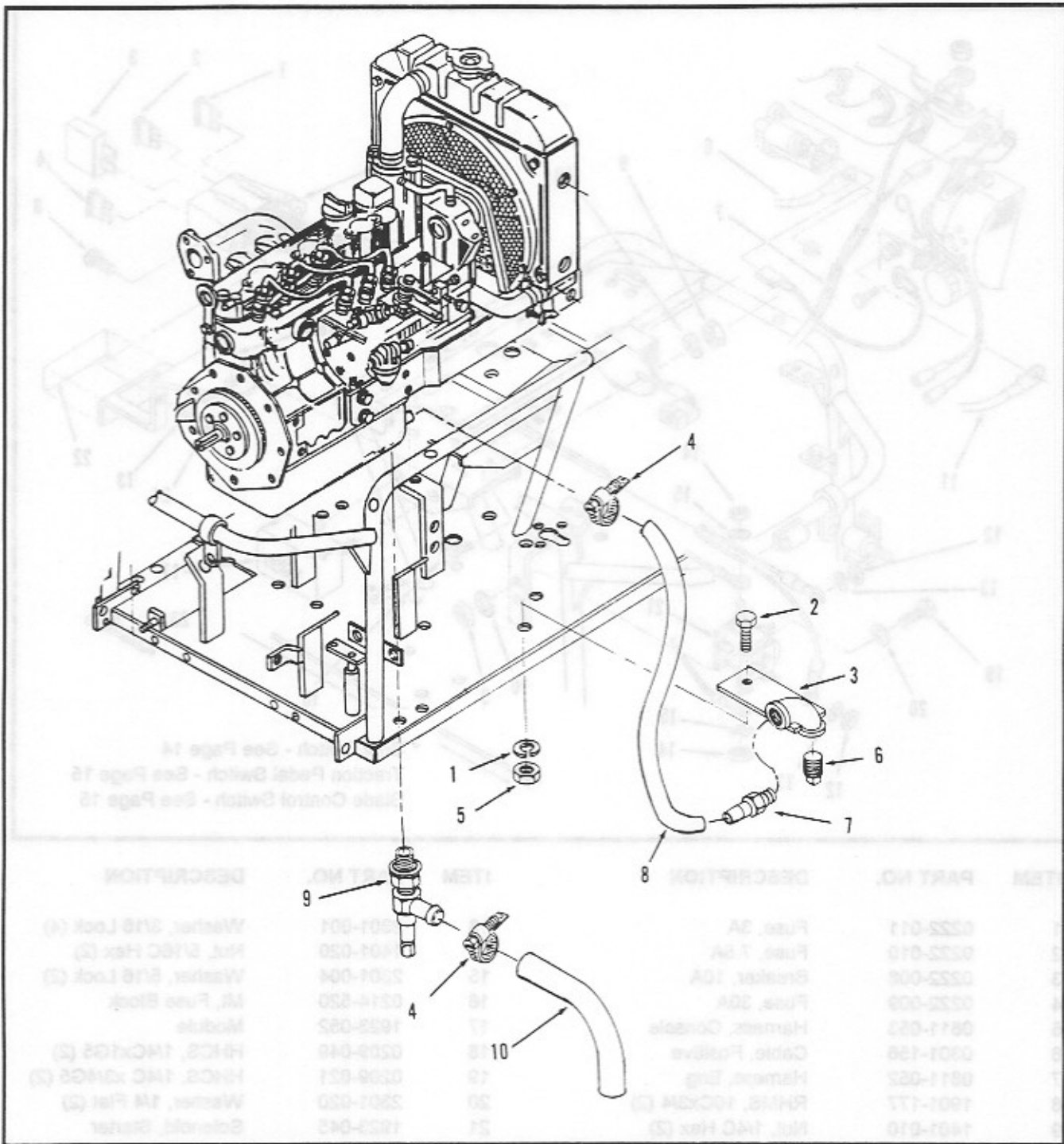
ELECTRICAL SYSTEM



* Seat Switch - See Page 14
 Traction Pedal Switch - See Page 15
 Blade Control Switch - See Page 15

| ITEM | PART NO. | DESCRIPTION | ITEM | PART NO. | DESCRIPTION |
|------|----------|----------------------|------|----------|-----------------------|
| 1 | 0222-011 | Fuse, 3A | 13 | 2301-001 | Washer, 3/16 Lock (4) |
| 2 | 0222-010 | Fuse, 7.5A | 14 | 1401-020 | Nut, 5/16C Hex (2) |
| 3 | 0222-008 | Breaker, 10A | 15 | 2301-004 | Washer, 5/16 Lock (2) |
| 4 | 0222-009 | Fuse, 30A | 16 | 0214-520 | Mt, Fuse Block |
| 5 | 0811-053 | Harness, Console | 17 | 1923-052 | Module |
| 6 | 0301-156 | Cable, Positive | 18 | 0209-049 | HHCS, 1/4Cx1G5 (2) |
| 7 | 0811-052 | Harness, Eng. | 19 | 0209-021 | HHCS, 1/4C x3/4G5 (2) |
| 8 | 1901-177 | RHMS, 10Cx3/4 (2) | 20 | 2301-020 | Washer, 1/4 Flat (2) |
| 9 | 1401-010 | Nut, 1/4C Hex (2) | 21 | 1923-045 | Solenoid, Starter |
| 10 | 2301-003 | Washer, 1/4 Lock (2) | 22 | 0401-402 | Decal, Fuse |
| 11 | 0301-157 | Cable, Negative | 23 | 2014-001 | Tie, Strap (7) |
| 12 | 1401-060 | Nut, 10F Hex (2) | 24 | 1401-001 | Nut, 10C Hex |

OIL DRAIN SYSTEMS



| ITEM | PART NO. | DESCRIPTION | ITEM | PART NO. | DESCRIPTION |
|------|----------|----------------------|------|----------|----------------------|
| 1 | 2301-004 | Washer, 5/16 Lock | 6 | 1606-038 | Plug, 3/8 Sq. |
| 2 | 0209-114 | HHCS, 5/16Cx1G5 | 7 | 0101-166 | Adapter, Hose |
| 3 | 0501-020 | Elbow, Drain Asm. | 8 | 0812-102 | Hose, Rubber 6NP-8PL |
| 4 | 0307-046 | Clamp, Hose .5-.87Wo | 9 | 2201-041 | Valve, Oil Drain |
| 5 | 1401-020 | Nut, 5/16C Hex | 10 | 0812-084 | Hose, Oil Drain |