

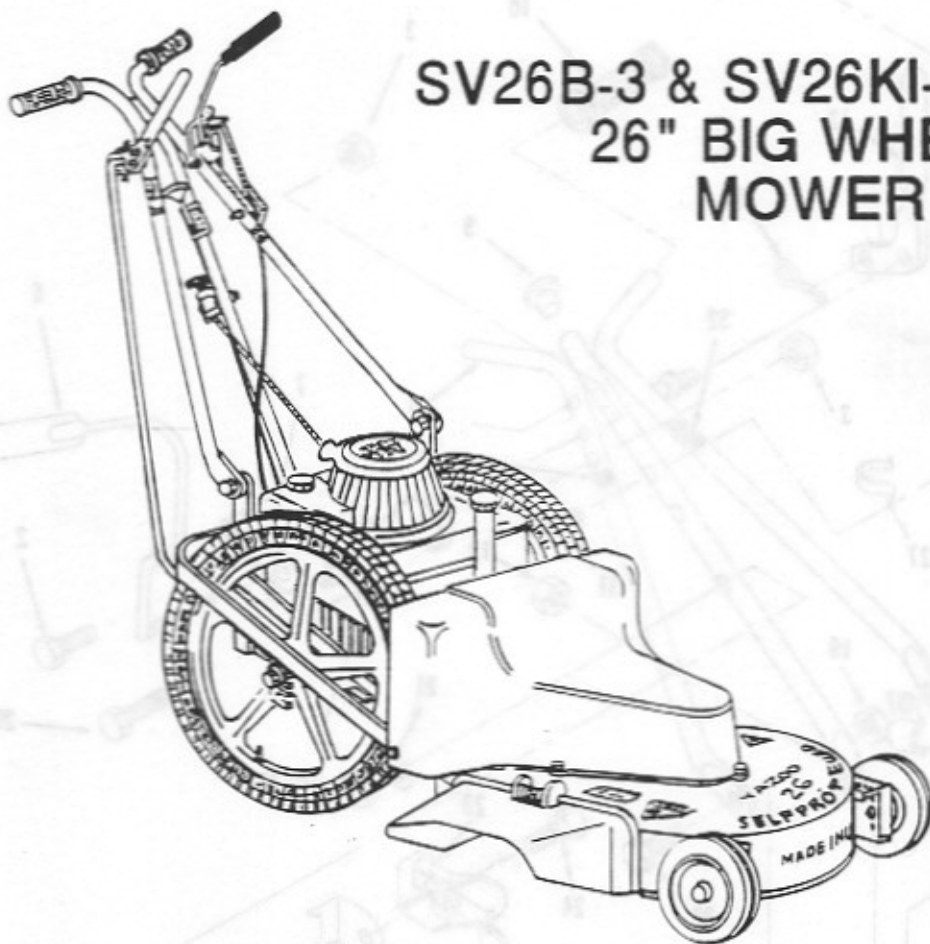


MADE IN U.S.A.

YAZOO

Parts Manual for

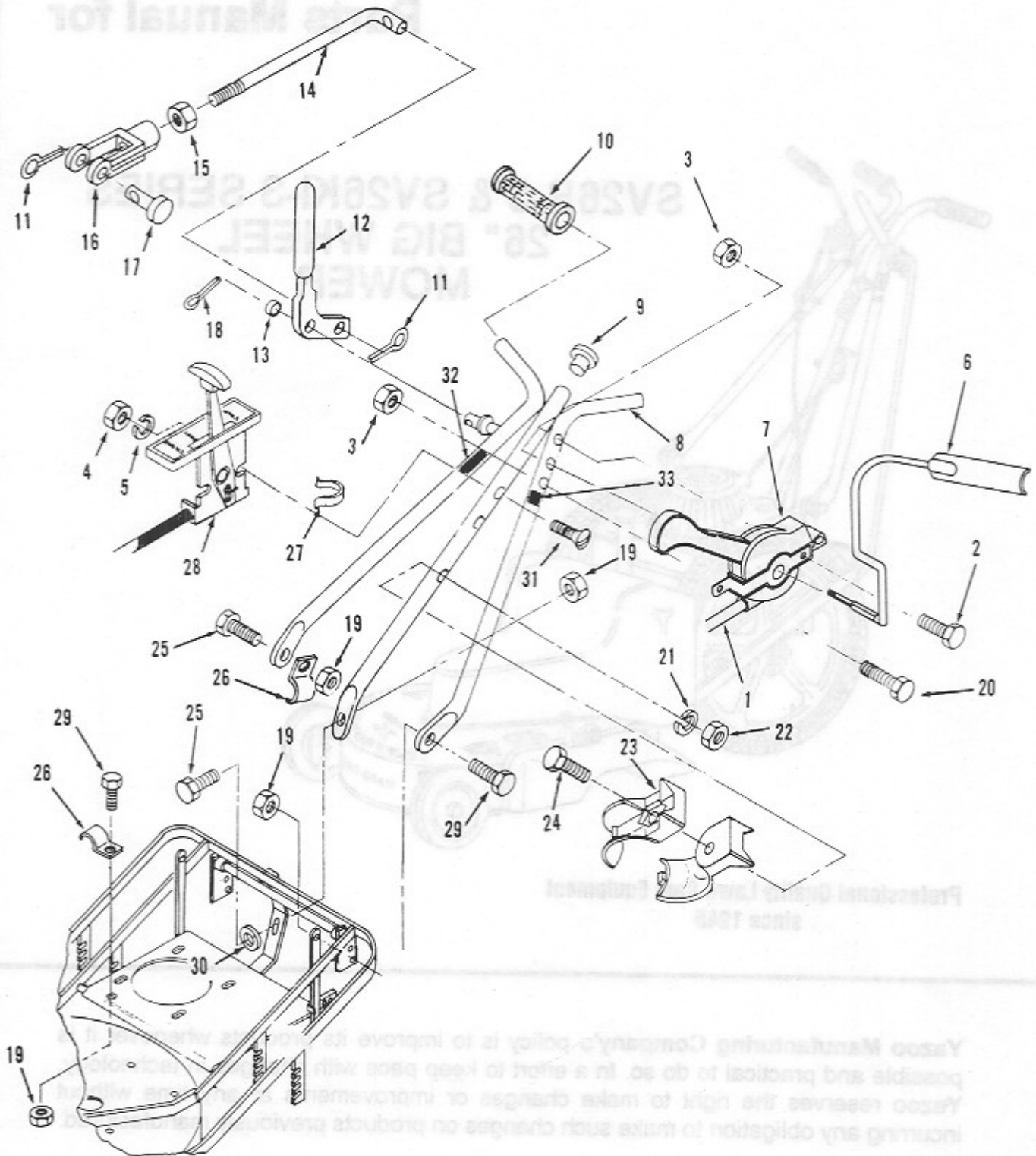
SV26B-3 & SV26KI-3 SERIES 26" BIG WHEEL MOWER



Professional Quality Lawn Care Equipment
since 1945

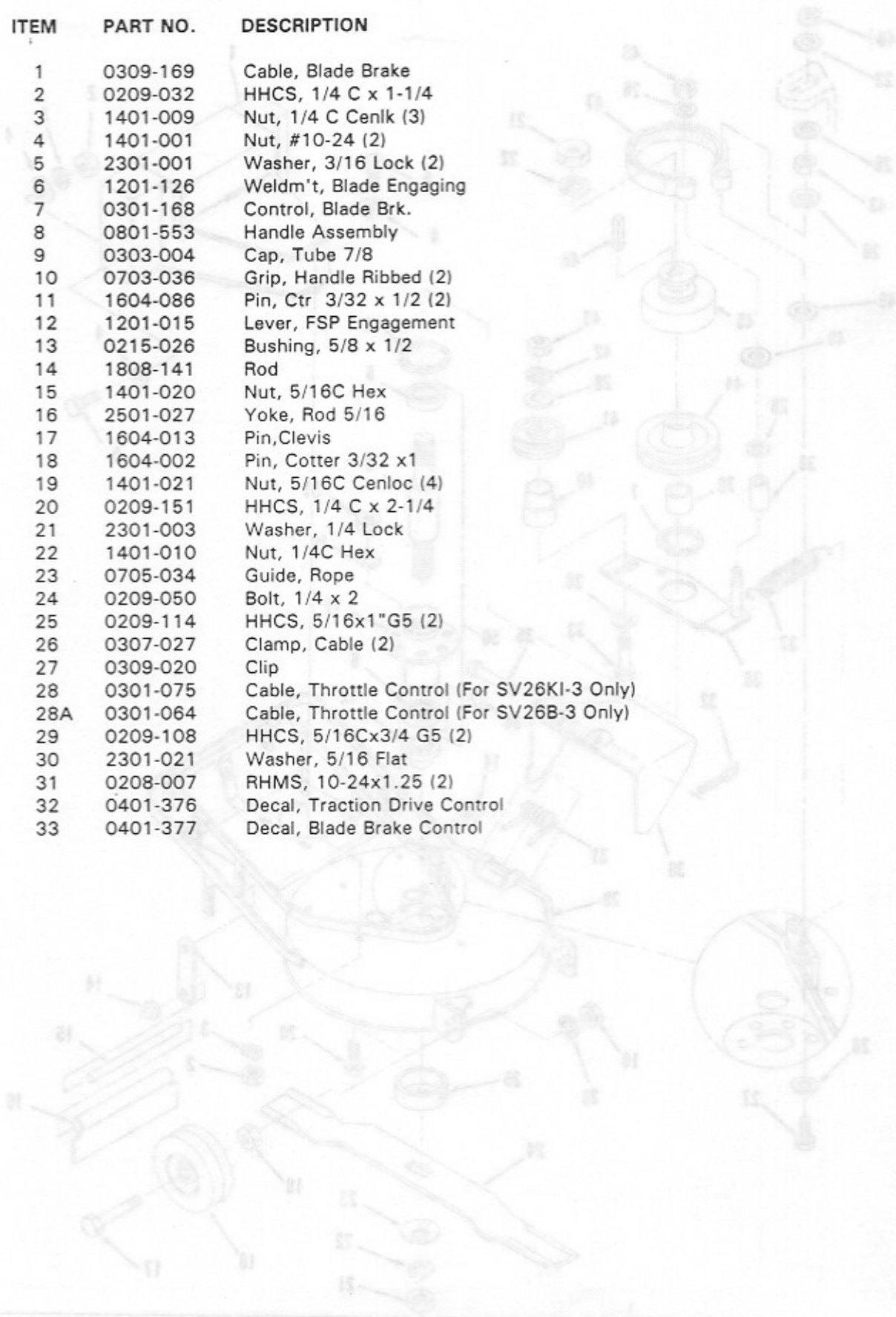
Yazoo Manufacturing Company's policy is to improve its products whenever it is possible and practical to do so. In a effort to keep pace with changes in technology, Yazoo reserves the right to make changes or improvements at any time without incurring any obligation to make such changes on products previously manufactured.

HANDLE ASSEMBLY

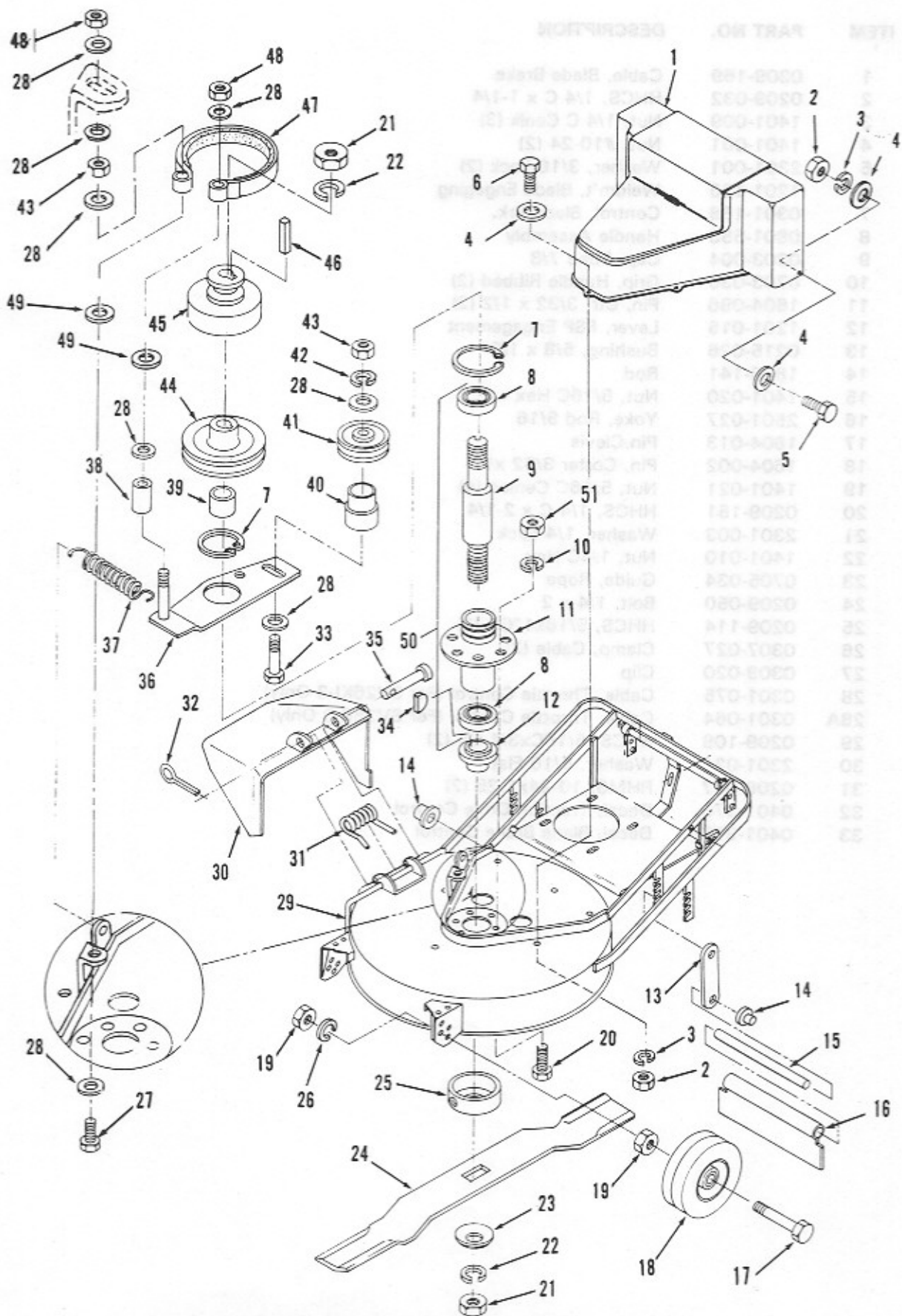


YJ26E HANDLE ASSEMBLY

ITEM	PART NO.	DESCRIPTION
1	0309-169	Cable, Blade Brake
2	0209-032	HHCS, 1/4 C x 1-1/4
3	1401-009	Nut, 1/4 C Cenlk (3)
4	1401-001	Nut, #10-24 (2)
5	2301-001	Washer, 3/16 Lock (2)
6	1201-126	Weldm't, Blade Engaging
7	0301-168	Control, Blade Brk.
8	0801-553	Handle Assembly
9	0303-004	Cap, Tube 7/8
10	0703-036	Grip, Handle Ribbed (2)
11	1604-086	Pin, Ctr 3/32 x 1/2 (2)
12	1201-015	Lever, FSP Engagement
13	0215-026	Bushing, 5/8 x 1/2
14	1808-141	Rod
15	1401-020	Nut, 5/16C Hex
16	2501-027	Yoke, Rod 5/16
17	1604-013	Pin, Clevis
18	1604-002	Pin, Cotter 3/32 x 1
19	1401-021	Nut, 5/16C Cenloc (4)
20	0209-151	HHCS, 1/4 C x 2-1/4
21	2301-003	Washer, 1/4 Lock
22	1401-010	Nut, 1/4C Hex
23	0705-034	Guide, Rope
24	0209-050	Bolt, 1/4 x 2
25	0209-114	HHCS, 5/16x1"G5 (2)
26	0307-027	Clamp, Cable (2)
27	0309-020	Clip
28	0301-075	Cable, Throttle Control (For SV26KI-3 Only)
28A	0301-064	Cable, Throttle Control (For SV26B-3 Only)
29	0209-108	HHCS, 5/16Cx3/4 G5 (2)
30	2301-021	Washer, 5/16 Flat
31	0208-007	RHMS, 10-24x1.25 (2)
32	0401-376	Decal, Traction Drive Control
33	0401-377	Decal, Blade Brake Control



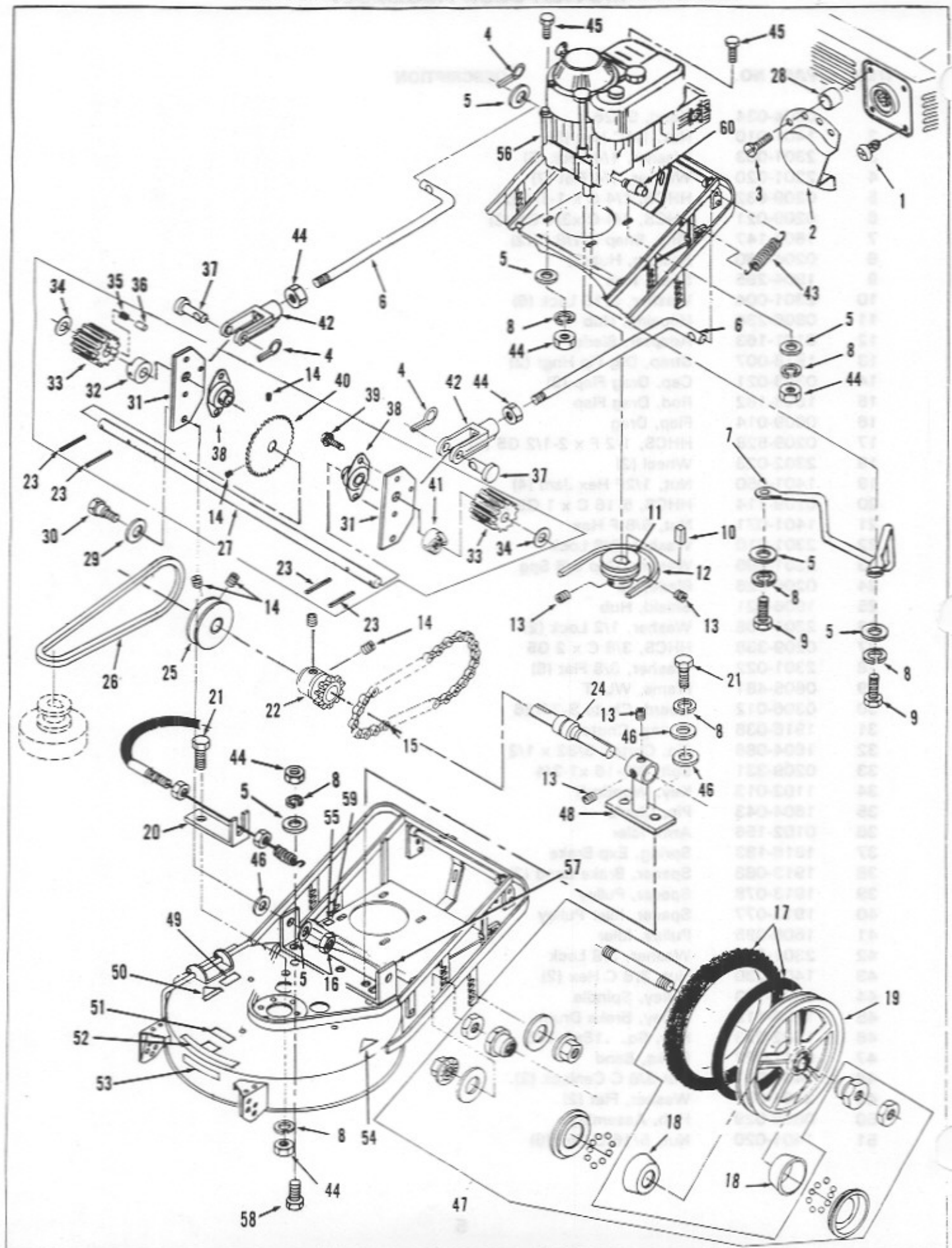
MOWER DECK ASSEMBLY



MOWER DECK ASSEMBLY

ITEM	PART NO.	DESCRIPTION
1	0804-034	Hood, SV26
2	1401-010	Nut, 1/4C Hex (5)
3	2301-003	Washer, 1/4 Lock (5)
4	2301-020	Washer, 1/4 Flat (7)
5	0209-032	HHCS, 1/4 C x 1-1/4 (2)
6	0209-021	HHCS, 1/4 C x 3/4 G5 (3)
7	1806-147	Ring, Snap 2-1/8 D.(2)
8	0204-060	Bearing, Hub(2)
9	1904-295	Shaft, Hub
10	2301-004	Washer, 5/16 Lock (6)
11	0806-234	Housing, Hub
12	0101-163	Adapter, Blade
13	1918-007	Strap, Drg Flp Hngr (2)
14	0303-021	Cap, Drag Flap (2)
15	1808-182	Rod, Drag Flap
16	0609-014	Flap, Drag
17	0209-528	HHCS, 1/2 F x 2-1/2 G5 (2)
18	2302-023	Wheel (2)
19	1401-050	Nut, 1/2F Hex Jam (4)
20	0209-114	HHCS, 5/16 C x 1 G5 (6)
21	1401-071	Nut, 5/8 F Hex
22	2301-010	Washer, 5/8 Lock
23	2301-096	Washer, Cup 5/8 Spg
24	0206-626	Blade, 26"
25	1906-021	Shield, Hub
26	2301-008	Washer, 1/2 Lock (2)
27	0209-338	HHCS, 3/8 C x 2 G5
28	2301-022	Washer, 3/8 Flat (8)
29	0605-481	Frame, WLDT
30	0306-012	Guard, Chute S-24/26
31	1916-036	Spring, Chute
32	1604-086	Pin, Cotter 3/32 x 1/2
33	0209-331	Bolt, 3/8-16 x 1-3/4
34	1102-013	Key, Woodruff
35	1604-043	Pin, Clevis
36	0102-156	Arm. Idler
37	1916-183	Spring, Exp Brake
38	1913-088	Spacer, Brake Band (2)
39	1913-078	Spacer, Pulley
40	1913-077	Spacer, Idler Pulley
41	1608-095	Pulley, Idler
42	2301-006	Washer, 3/8 Lock
43	1401-030	Nut, 3/8 C Hex (2)
44	1608-163	Pulley, Spindle
45	1608-118	Pulley, Brake Drum
46	1102-023	Key, Sq. .18x2.125
47	0217-027	Brake, Band
48	1401-031	Nut 3/8 C Cenlock (2)
49	2301-095	Washer, Flat (2)
50	0808-029	Hub, Assembly
51	1401-020	Nut, 5/16 C Hex (6)

DRIVE & HEIGHT ADJUSTMENT ASSEMBLY



DRIVE & HEIGHT ADJUSTMENT ASSEMBLY

YAZOO LIMITED ONE YEAR WARRANTY

ITEM	PART NO.	DESCRIPTION	ITEM	PART NO.	DESCRIPTION
1	1901-234	Screw, S.T. #10x5/16" *	31	0102-205	Arm, Pivot Friction (2)
2	0408-009	Deflector, Muffler *	32	1803-007	Ratchet, R.H.
3	1901-235	HWST, 10-24 x 3/4 (3)*	33	0405-005*	Driver (2)
4	1604-086	Pin, Cotter 3/32 x 1/2 (4)	34	1913-095	Spacer, End (2)
5	2301-021	Washer, 5/16 Flat (8)	35	1916-013	Spring, Ratchet (2)
6	1808-312	Rod-Pull FSP (2)	36	1604-007	Pin, Spine (2)
7	1101-022	Guide, Belt	37	1604-013	Pin, 5/16x1-1/4 Clevis (2)
8	2301-004	Washer, 5/16 Lock (9)	38	0204-182	Bearing, Flange (2)
9	0209-832	HHCS, 8mm x 25mm (4)*	39	0209-089	HWST, 3/8 C x 7/8 (4)
10	1102-002	Key, Sq. 1/4 x 1.00	40	1917-014	Sprocket, 36 Tooth
11	1608-413	Pulley, Eng	41	1803-008	Ratchet, L.H.
12	0205-541	Belt, Blade	42	2501-027	Yoke, Rod 5/16 (2)
13	1901-009	SHSS, .312Cx.31 (4)	43	1916-183	Spring, Exp Brake
14	1901-011	Screw, S 5/16x5/16NF(6)	44	1401-020	Nut, 5/16C Hex (9)*(5)**
15	0305-025	Chain, FSP	45	0209-135	HHCS, 5/16Cx1-3/4 (4)**
16	1401-021	Nut, 5/16 C Lock (2)	46	2301-020	Washer, 1/4 Flat (6)
17	2003-010	Tire/Tube, 20" Knob (2)	47	1105-013	Kit, Mag. Wheel
18	0315-010	Cup, Wheel Bearing (4)	48	0806-033	Housing, Fric. Shaft Assy.
19	2302-099	Wheel, Mag 20 (2)	49	0401-110	Decal, Chute Warning
20	0214-178	Brk't., Cable Anchor	50	0401-111	Decal, Danger Cut
21	0209-108	HHCS, 5/15Cx3/4 G5	51	0401-410	Decal, Yazoo
22	1917-012	Sprocket, FSP	52	0401-338	Decal, 26" Self/Prop
23	1604-014	Pin, 3/16 x 1 1/4 Roll (4)	53	0401-118	Decal, Made in USA
24	0204-045	Bearing, Water Pump	54	0401-220	Decal, OPEI Safety
25	1608-166	Pulley, Friction Drive	55	0401-404	Decal, Serial Plate
26	0205-551	Belt, Friction Drive	56	E-265	Eng., Kawasaki 9HP
27	1904-071	Shaft, FSP	56A	E-266	Eng., Briggs 8.5HP
28	1913-301	Spacer, (3) *	57	0214-193	Brk't, Friction Assy.
29	2301-095	Washer, Flat (2)	58	0209-114	HHCS, 5/16 X 1 G5 (2)
30	0212-025	Bolt, Shoulder 7/16" (2)	59	0401-406	Decal, Clear
			60	2201-042	Valve, Oil Drain

* Use on model SV26KI-3 only.
 ** Use on model SV26B-3 only.

YAZOO LIMITED ONE YEAR WARRANTY

1. This Limited One-Year Warranty is issued by Yazoo Manufacturing Company, Inc., only to the original purchaser. If Yazoo equipment is leased by Yazoo, this warranty shall extend also to the original leasee as if such leasee were the original owner.
2. Yazoo warrants that all new equipment manufactured by Yazoo (Yazoo Products) shall be free of defects in material and workmanship for the term described in paragraph 4 below. Except as herein-after provided, this warranty does not cover any engine forming a part of the Yazoo product. Engines are covered by and subject to separate warranties of the manufacturers thereof.
3. In the event that any Yazoo Product warranted hereunder shall be defective or fail to conform with this warranty, Yazoo shall, subject to the provisions hereof, pay for, or provide labor and materials for, the repair or replacement of such defective Yazoo Product.
4. This warranty is for one year (12 months) from purchase date for Yazoo products.
5. To obtain Warranty Service on a Yazoo Product use this procedure:
 - a. Locate the nearest Yazoo dealer.
 - b. If you have moved notify any Yazoo dealer in your area. You must be able to confirm purchase date to validate your warranty.
 - c. Make arrangements to have the equipment delivered to the dealer (refer to paragraph 6a).
 - d. If you have questions concerning the Yazoo Limited Warranty, they should be referred to:

Yazoo Manufacturing Company, Inc.
P.O. Box 4449 / Jackson, Mississippi 39296
Attn.: Customer Service Department
1 (800) 723-9496
 - e. Warranty service on Yazoo Products must be performed by an authorized Yazoo dealer.
6. This warranty does not cover the following:
 - a. Transportation to the Yazoo dealership, (if the Yazoo dealer provides transportation he will charge for such service).
 - b. Normal maintenance services and normal maintenance items such as tires, brakes, brake shoes, spark plugs, belts, oil, air filters, mower blades, gauge wheels, skids and other wear items.
 - c. Any Yazoo Product which has been altered or modified in any way.
 - d. Any repair or replacement occasioned by customer neglect or lack of maintenance. (The purchaser is responsible for making sure that Yazoo Products are operated and serviced as directed in the applicable manual or service instruction. Incorrect use or maintenance will void this Warranty).
 - e. Any repair occasioned by the use of any attachment not approved by Yazoo (The use of any such attachment will void this Warranty).
7. YAZOO MAKES NO OTHER EXPRESS OR IMPLIED WARRANTY, OR WARRANTIES AS TO THE MERCHANTABILITY OR FITNESS FOR A PARTICULAR PURPOSE. ALL WARRANTIES ARE LIMITED IN DURATION TO THE TERMS SET OUT IN PARAGRAPH 4, ABOVE. YAZOO SHALL HAVE NO LIABILITY FOR INCIDENTAL OR CONSEQUENTIAL DAMAGES RESULTING FROM THE BREACH OF ANY WARRANTY, INCLUDING, BUT NOT LIMITED TO, LIABILITY FOR INCONVENIENCE, RENTAL OR PURCHASE OF REPLACEMENT EQUIPMENT, OR FOR LOSS OF PROFITS OR OTHER COMMERCIAL LOSS. SOME STATES DO NOT ALLOW A LIMITATION ON HOW LONG AN IMPLIED WARRANTY LASTS, SO THE ABOVE STATEMENT MAY NOT APPLY TO YOU. SOME STATES DO NOT ALLOW THE EXCLUSION OR LIMITATION OF INCIDENTAL OR CONSEQUENTIAL DAMAGES, SO THE ABOVE LIMITATION OR EXCLUSION MAY NOT APPLY TO YOU.
8. This Warranty is not subject to change or modification by anyone, including Yazoo dealers, and no Yazoo dealer is authorized to make any representations on behalf of Yazoo Manufacturing Company, Inc.

Revised 12/14/92

YAZOO MANUFACTURING COMPANY
POST OFFICE BOX 4449
JACKSON, MISSISSIPPI 39296-4449