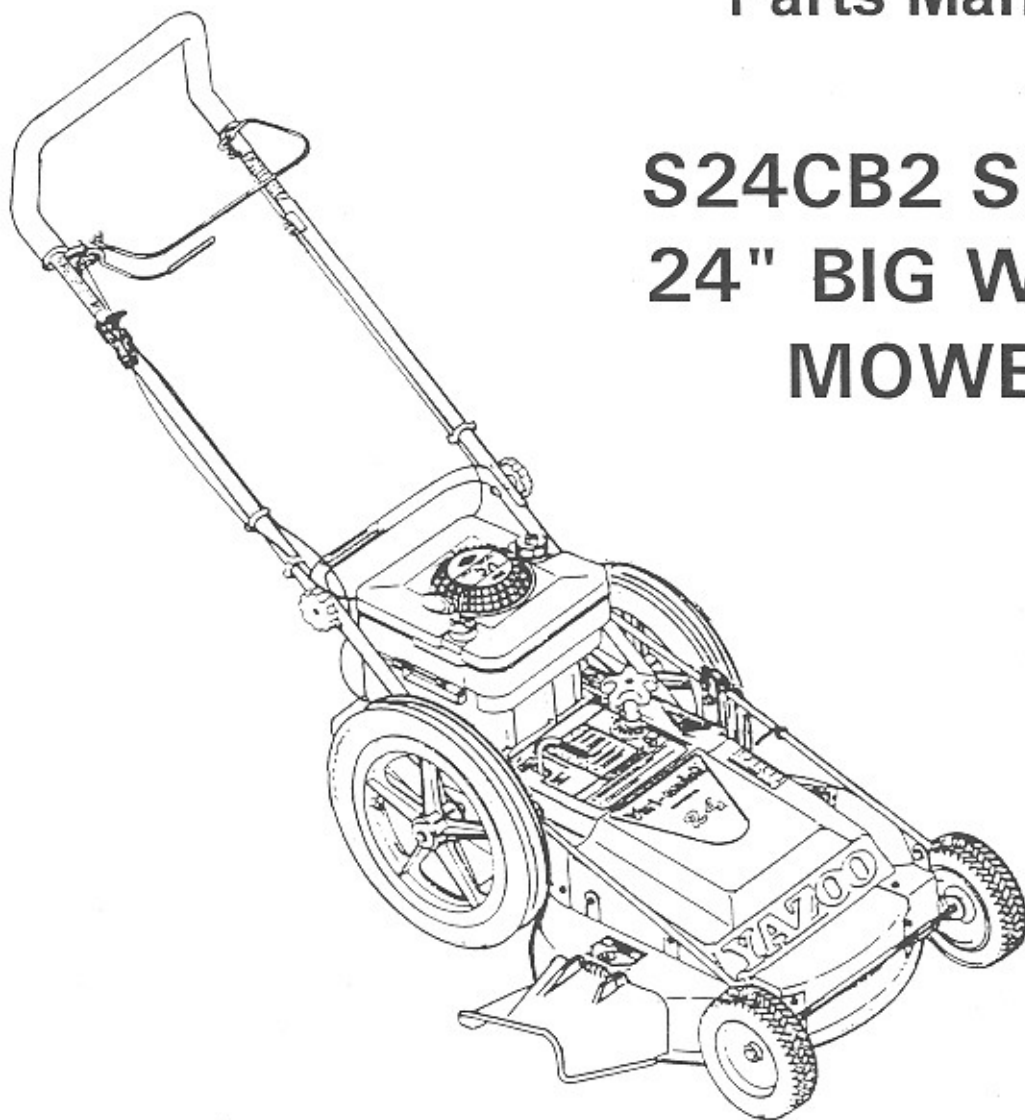




YAZOO

Parts Manual for

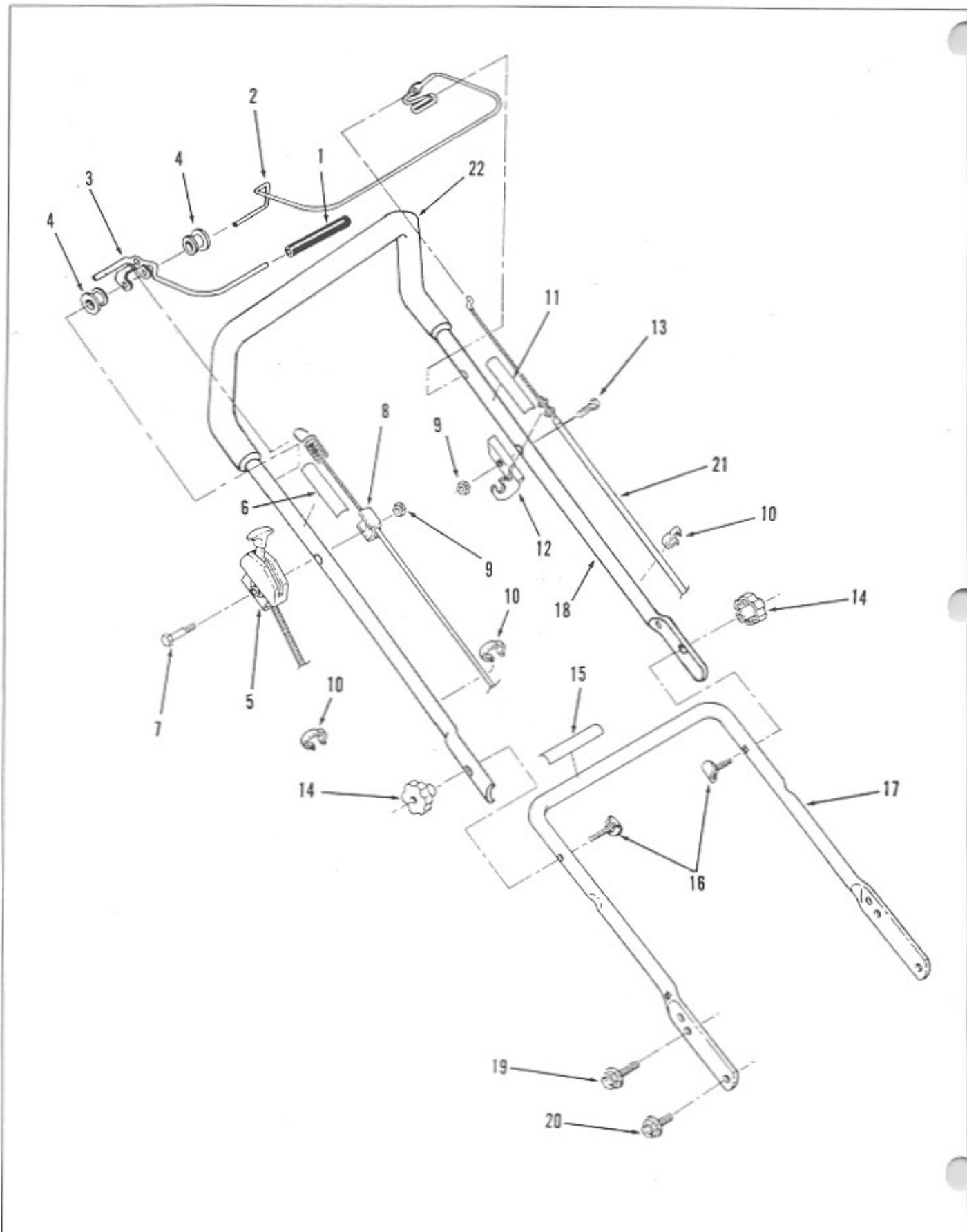
S24CB2 SERIES 24" BIG WHEEL MOWER



Professional Quality Lawn Care Equipment
since 1945

Yazoo Manufacturing Company's policy is to improve its products whenever it is possible and practical to do so. In a effort to keep pace with changes in technology, Yazoo reserves the right to make changes or improvements at any time without incurring any obligation to make such changes on products previously manufactured.

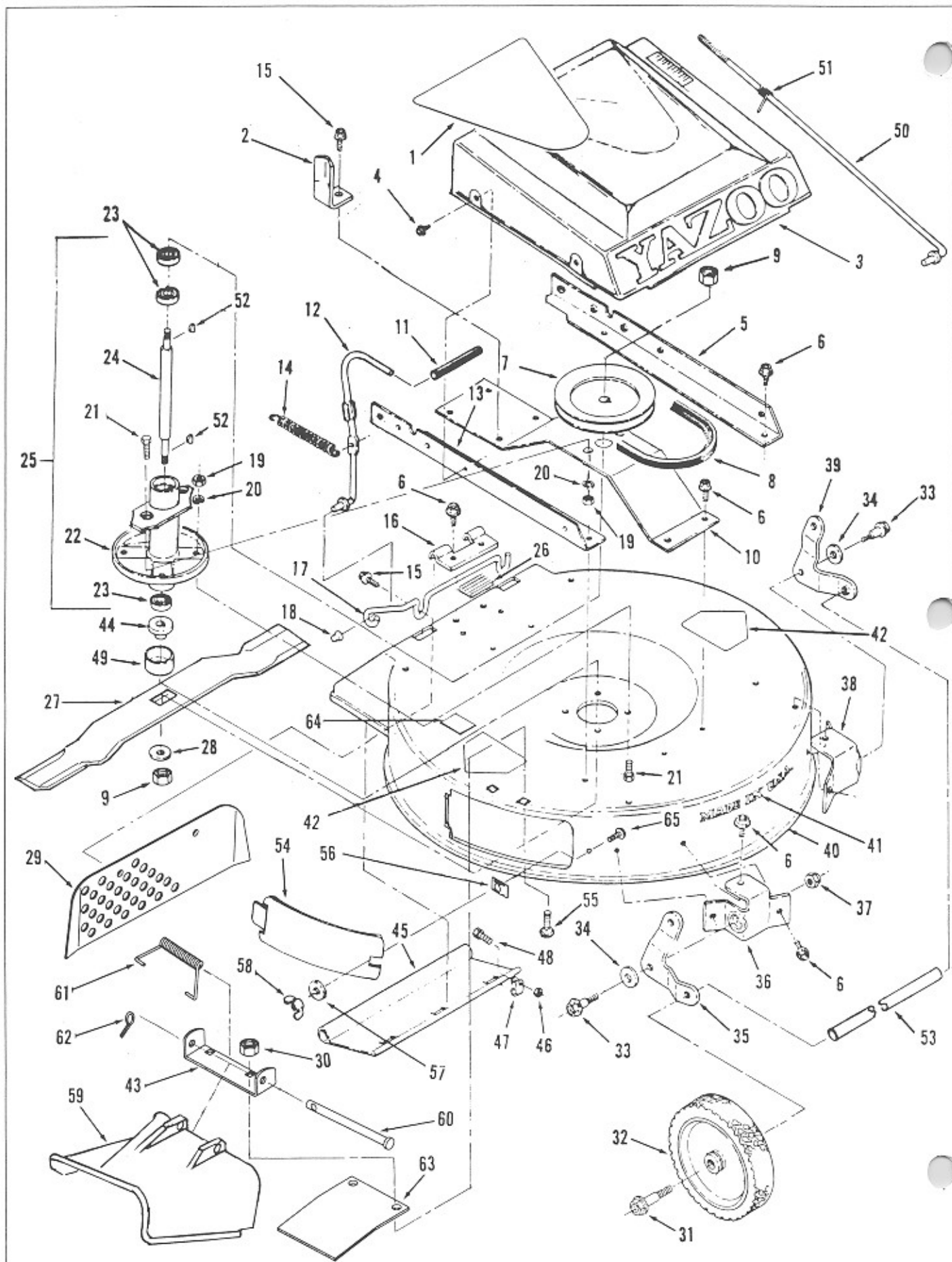
HANDLE ASSEMBLY



HANDLE ASSEMBLY

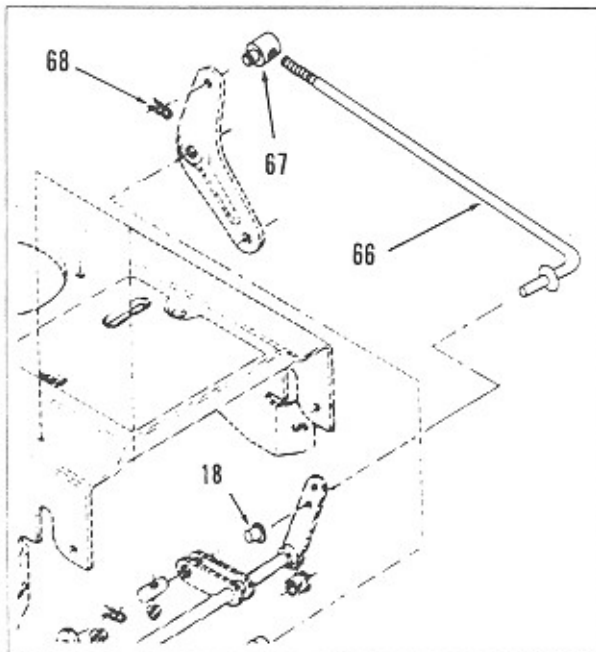
ITEM	PART NO.	DESCRIPTION
1	0703-023	Grip, 5/16"
2	1201-114	Bail, Engine
3	1201-124	Bail, Clutch
4	0204-168	Bushing, 5/16 Nylon (2)
5	0301-158	Control, Throttle
6	0401-394	Decal, Traction
7	0209-045	HHCS, 1/4"Cx1-3/4G5
8	0301-164	Cable, Clutch
9	1401-009	Nut, 1/4" Lock (2)
10	0309-020	Clamp, Cable (3)
11	0401-395	Decal, Engine Kill
12	0214-515	Mount, Engine Cable
13	0209-032	HHCS, 1/4Cx1-1/4 G5
14	1104-020	Knob, 5/16C (2)
15	0401-399	Decal, Stabilize Machine
16	0209-835	CVHB, 5/16Cx2 (2)
17	0801-560	Handle, Lower (Includes Item 15)
18	0801-561	Handle, Upper (Includes Item 6,11 & 22)
19	0209-084	HWST, 5/16Cx5/8 (2)
20	0209-080	HWST, 5/16Cx3/4 (2)
21	0301-159	Cable, Engine
22	0703-013	Grip, Handle

MOWER DECK ASSEMBLY

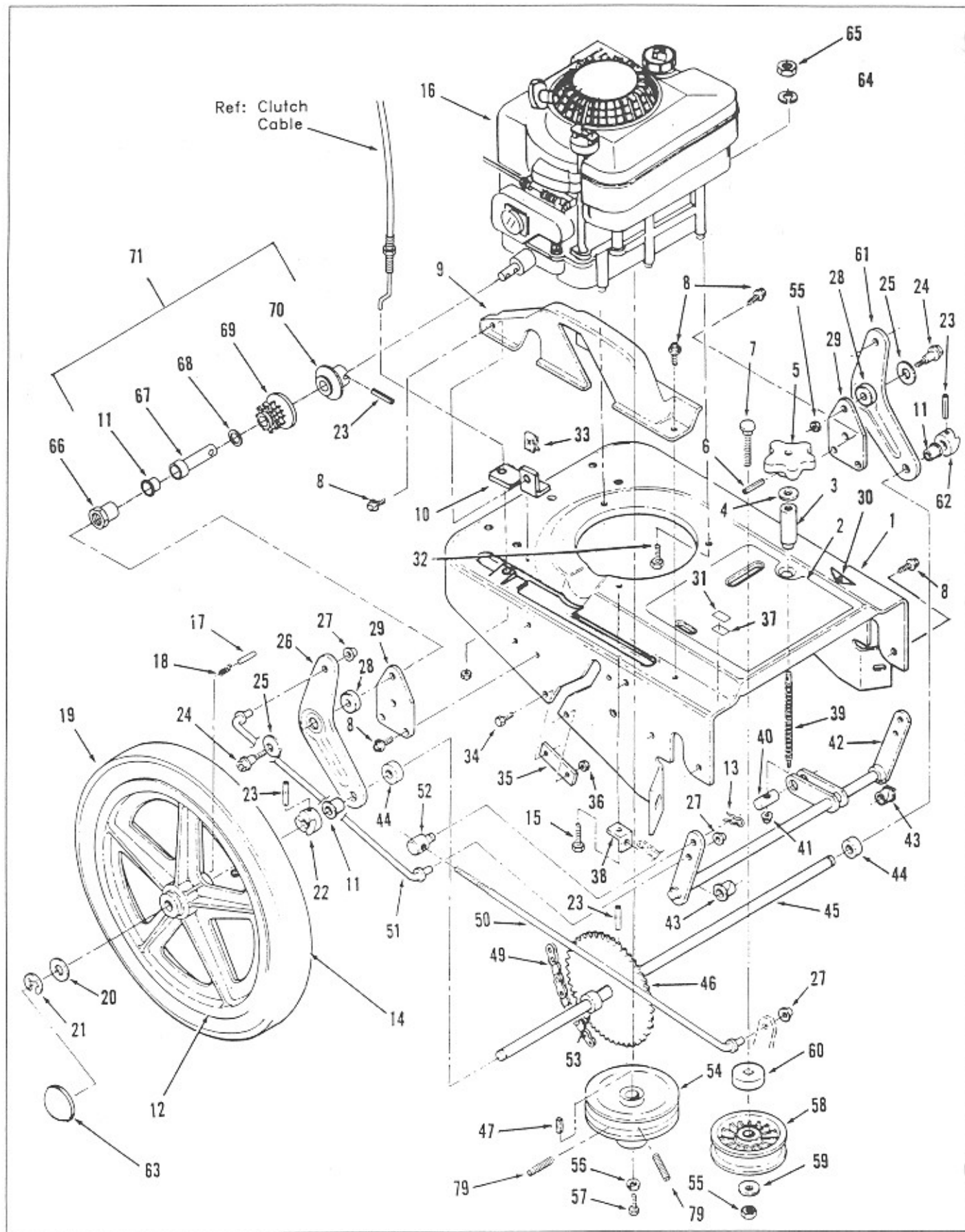


MOWER DECK ASSEMBLY

ITEM	PART NO.	DESCRIPTION	ITEM	PART NO.	DESCRIPTION
1	0401-424	Decal, Vari-Mulch	34	2301-016	Washer, 1/2" Belleville (6)
2	0705-056	Guide, Belt	35	0214-548	Adjuster, Height RH
3	0804-095	Hood	36	0214-513	Mount, Wheel RH
4	0209-085	HWST, 1/4Cx1/2 (4)	37	1401-132	Nut, 3/8C Nyloc (2)
5	0214-198	Rail, LH	38	0214-514	Mount, Wheel LH
6	0209-084	HWST, 5/16Cx5/8 (17)	39	0214-549	Adjuster, Height LH
7	1608-171	Pulley, Spindle	40	0402-016	Deck, 24" (Includes Decals)
8	0205-012	Belt, Deck / Spindle	41	0401-118	Decal, USA
9	1401-072	Nut, 5/8F Cenlock (Full)	42	0401-111	Decal, Cut Finger (2)
10	0213-065	Brace, Spindle	43	0214-550	Brk't, Chute Pivot
11	0703-012	Grip, 3/8	44	0101-163	Adapter, Blade
12	1808-318	Rod, Mulcher Control	45	0609-015	Flap, Drag
13	0214-199	Rail, RH	46	1401-133	Nut, 1/4C Hex Nyloc (3)
14	1916-140	Spring	47	0307-050	Clip, Drag Flap (3)
15	0209-080	HWST, 5/16Cx3/4 (3)	48	0209-021	HHCS, 1/4C x 3/4 G5 (3)
16	1303-031	Hinge, Mulcher	49	0314-034	Shield, Dust
17	1808-316	Pivot, Mulcher	50	1808-183	Link, Front Lift (2)
18	1401-129	Pushnut, 3/8" (2)	51	0902-005	Indicator, Cut
19	1401-020	Nut, 5/16 Hex (6)	52	1102-013	Key, 3/16 Woodruff (2)
20	2301-004	Washer, 5/16 Lock (6)	53	1808-331	Tie Rod
21	0209-108	HHCS, 5/16Cx3/4G5 (6)	54	0314-122	Cover, Discharge Opening
22	0806-354	Housing, Spindle Weldment	55	0209-806	Bolt, 5/16C x 3/4 Carr. (2)
23	0204-019	Bearing, Spindle (3)	56	1401-148	Nut, 5/16 -18 Tinnerman
24	1904-317	Shaft, Spindle	57	2301-021	Washer, 5/16 Flat
25	0806-355	Housing, Spindle Assm. Includes Items 22,23,24,52	58	1401-203	Wing Nut, 5/16C
26	0410-002	Damper	59	0306-035	Chute, Discharge
27	0206-951	Blade, 24" Mulch	60	1604-190	Pin, Chute Pivot
28	2301-096	Washer, Belleville	61	1916-192	Spring, Torsion
29	1303-029	Plate, Mulcher	62	1604-193	Clip, Hairpin
30	1401-134	Nut, 5/16C Nylock (2)	63	1605-136	Plate, Chute Support
31	0209-844	Bolt, Shoulder (2)	64	0401-110	Decal, Warning
32	2302-010	Wheel, 8x1.75 (2)	65	0209-096	BHCS, 5/16C x 3/4
33	0209-082	Bolt, Shoulder (2)	66	1808-345	Link, Rear Lift LH
			67	0502-022	Swivel, 3/8
			68	0309-063	Clip, 3/8 Pin

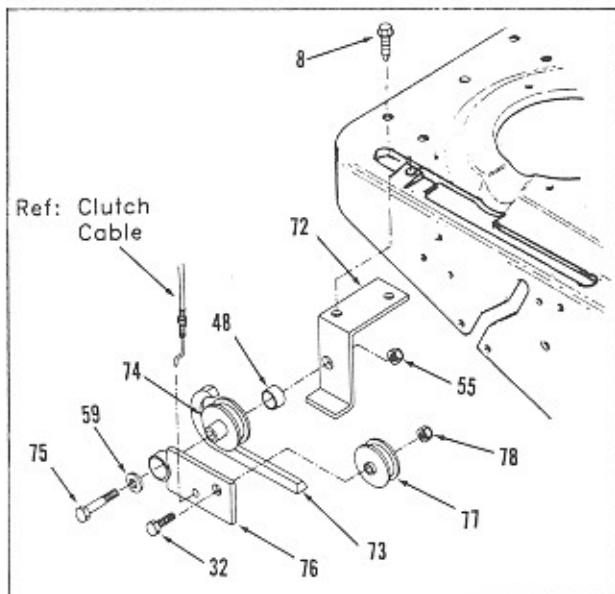


DRIVE & HEIGHT ADJUSTMENT ASSEMBLY



DRIVE & HEIGHT ADJUSTMENT ASSEMBLY

ITEM	PART NO.	DESCRIPTION	ITEM	PART NO.	DESCRIPTION
1	0402-017	Deck, Rear (Includes Decals)	33	1401-231	Nut, Tinnerman
2	0401-408	Decal, Mulch	34	0209-100	HHCS, 5/16C x 5/8 G5 (4)
3	1913-101	Spacer, Lift Screw	35	1605-126	Plate, Tie (2)
4	0215-184	Bushing, 1/2" Machinery	36	1401-021	Nut, 5/16C Lock (4)
5	1104-019	Knob, Lift	37	0401-404	Decal, Serial No.
6	1604-014	Pin, Roll 3/16 x 1-1/4 (1)	38	0214-517	Mount, Spring
7	0209-328	Bolt, Carriage 3/8Cx2-1/4	39	1901-233	Screw, Lift
8	0209-084	HWST, 5/16C x 5/8 (10)	40	0502-023	Swivel, Height
9	0704-380	Guard, Chain	41	1401-130	Nut, 1/4C TLF
10	0214-537	Mount, Chain Guard	42	0102-159	Arm, Lift Weldment
11	0204-173	Bearing, Flange (2)	43	0204-084	Bushing, 5/8 Nylon (2)
12	1805-031	Wheel, Rim (2)	44	1913-102	Spacer, Axle (2)
13	0309-063	Clip, 3/8 Pin (2)	45	1904-072	Shaft, Axle
14	2003-049	Tire, Traction (2)	46	1917-079	Sprocket, 65T
15	0209-150	HHCS, 5/16 C x 2-1/2	47	1102-020	Key, 3/16 Sq. x 3/4
16	E284	Engine, 6 h.p. B&S	48	1913-317	Spacer, 3/8 ID x 3/4 OD
17	1604-168	Pin, Whl Dr. 1/4x1-1/2 (6)	49	0305-031	Chain (73Pt) W/Link
18	1916-049	Spring, Ratchet (6)	50	1808-183	Link, Front Lift (2)
19	2302-134	Wheel, Traction Asm. (2)	51	1808-314	Link, Rear Lift
20	1913-095	Washer, 5/8 Flat (2)	52	0502-022	Swivel, 3/8 (2)
21	1806-149	E-Ring, 5/8 (2)	53	1913-300	Spacer, Sprocket
22	1803-016	Ratchet, RH	54	1608-429	Pulley, Engine
23	1604-165	Pin, Roll 3/16x1-1/4 (4)	55	1401-132	Nut, 3/8C NyLok (2)
24	0209-082	Bolt, Shoulder (2)	56	2301-006	Washer, 3/8 Lock
25	2301-016	Washer, 1/2 Conical (2)	57	0209-318	HHCS, 3/8F x 1 G5
26	0214-357	Mount, Rear Wheel RH	58	1608-169	Pulley, Idler
27	1401-129	Pushnut, 3/8 (5)	59	2301-022	Washer, 3/8 Flat
28	1913-099	Spacer, Wheel (2)	60	1913-299	Spacer, Idler
29	0214-506	Plate, Axle Mtg. (2)	61	0214-358	Mount, Rear Wheel LH
30	0401-220	Decal, OPEI-90	62	1803-017	Ratchet, LH
31	0401-406	Decal, Clear	63	0303-088	Cap, Hub (2)
32	0209-120	HHCS, 5/16Cx1-1/4 (3)	64	2301-004	Washer, 5/16 Lock (3)
			65	1401-020	Nut, 5/16C Hex (3)
			66	1921-014	Support Clutch
			67	1912-036	Sleeve, Clutch *
			68	2301-107	Washer, Thrust *
			69	0310-069	Clutch, Pulley/Sprocket *
			70	0310-068	Clutch, Pulley Drive Half *
			71	0310-067	Clutch, Assy. (Includes: 11, 67, 68, 69, 70)
			72	0214-538	Brkt, Idler Support
			73	0205-011	Belt
			74	1608-178	Pulley, 3" Idler
			75	0209-063	HHCS, 3/8C x 2-1/4
			76	0102-179	Arm, Idler Pivot Weldm't.
			77	1608-177	Pulley, Idler
			78	1401-134	Nut 5/16C Nyloc
			79	1901-238	Scr., Set 1/4 x 1-1/4 (2)



* SOLD ONLY IN SETS (0310-067)