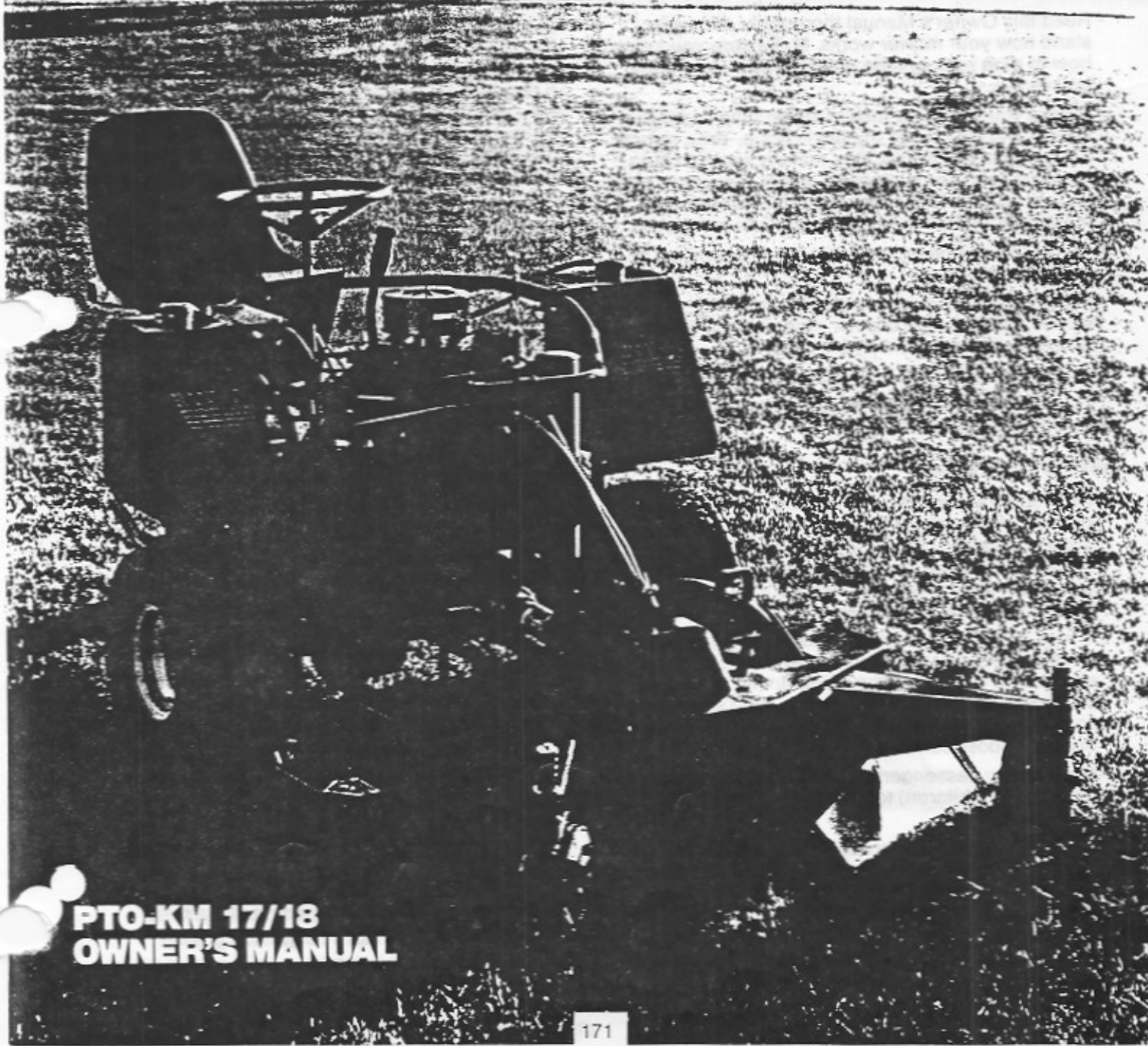


YAZOO

3-WHEEL RIDERS



**PTO-KM 17/18
OWNER'S MANUAL**

WARNING!

95 out of 100 mowing accidents are caused by the way the machine is operated.

That's why you shouldn't even start the ignition of your new riding mower until you've read and **thoroughly understand** this Owner's Manual (particularly the safety rules).

Because the cutting head is out front and away from the operator, your Yazoo commercial mower is safe. Since the cutting head is out in front, you can see what you are cutting. Plus, with a Yazoo rider, you're protected by heavy-duty guards, as well as the engine itself, because it's located between you and the cutting blade.

This is a **commercial** riding mower—a heavy piece of equipment that is only as safe as its operator. You make the rules, so make mowing safety a habit in your family.

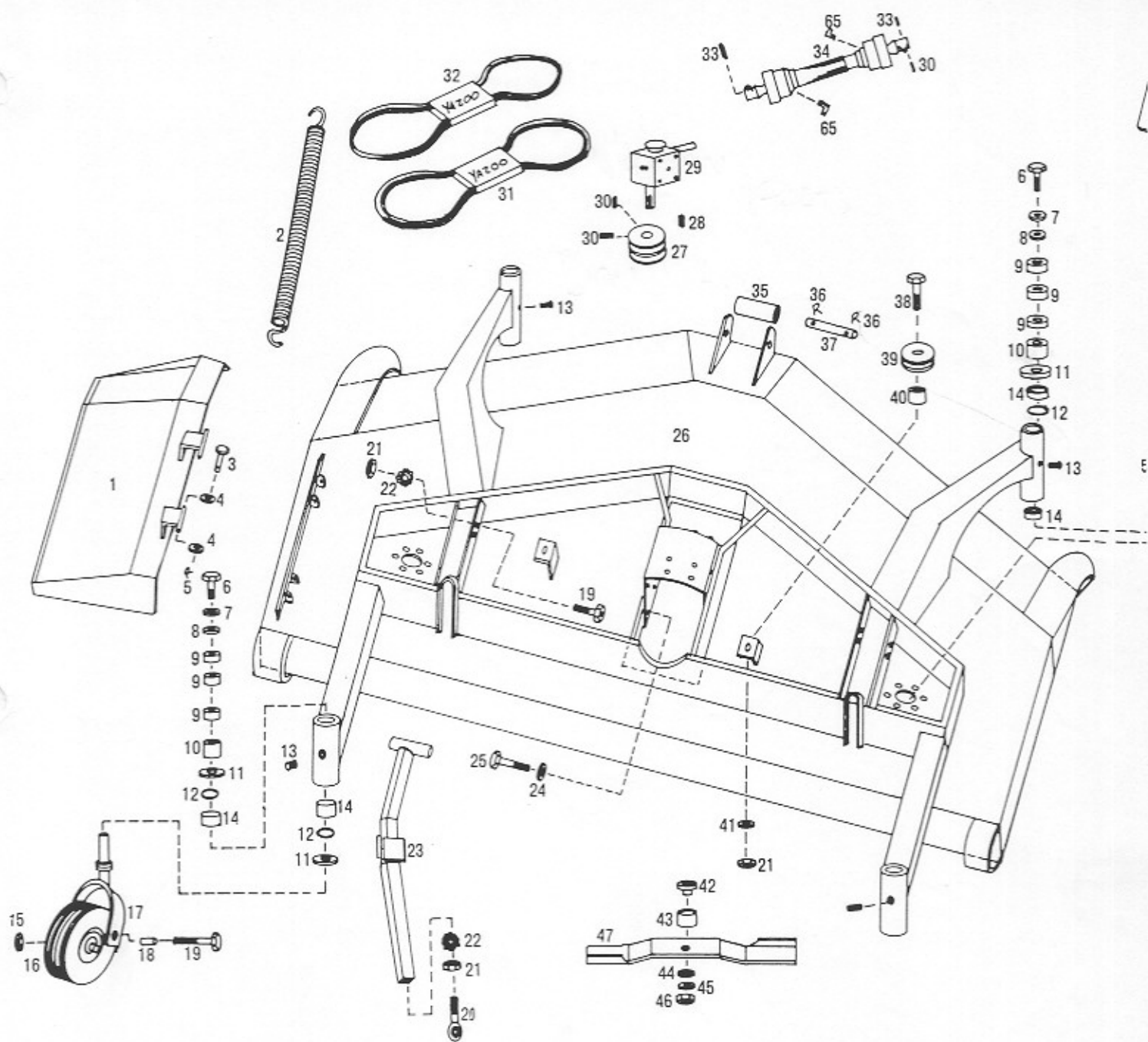
Owner's Responsibility

- Insist on a safety demonstration from your Yazoo dealer.
- Read this Owner's Manual thoroughly and understand how your mower works. **Make sure you know how to stop your engine quickly.** Know where the brakes are.
- Before you start your mower, detach the spark plug wire(s) and disengage the blade drive. Then inspect beneath the cutting section, making sure all blade nuts are tight, and no foreign object is caught underneath. Finally, check the entire mower and make sure that all nuts, bolts and parts are secure.
- Adjust the cutting height while the mower is on a level, firm surface.
- Inspect the intended mowing area and pick up any stones, sticks, bottle caps or other foreign objects which might be thrown by a mower.
- Check all fluid levels—oil, gas, hydro axle.
- Disengage clutches and blades and shift into neutral before starting mower.
- Do not alter or remove the safety guards or safety devices.
- Never operate your Yazoo rider at more than a 15-degree angle of bank. Most engines don't lubricate themselves properly at an angle greater than 15 degrees. Remember, too, that if you go over a root or bump, the angle of the mower will change, so allow plenty of margin to take care of the unexpected. **Most riding mower accidents happen on slopes of more than 15 degrees.**
- On slopes, mow across, not up and down. To control your Yazoo on slopes, use the foot brake as necessary. If the mower transaxle is suddenly jerked into reverse on a slope, the rear end of the mower may have a tendency to lift.
- Never let a child operate a mower. And never let anyone else operate your mower, unless he or she has received a complete course of instruction—including a safety demonstration—on how the mower operates and has read and understands the Operator's Manual.

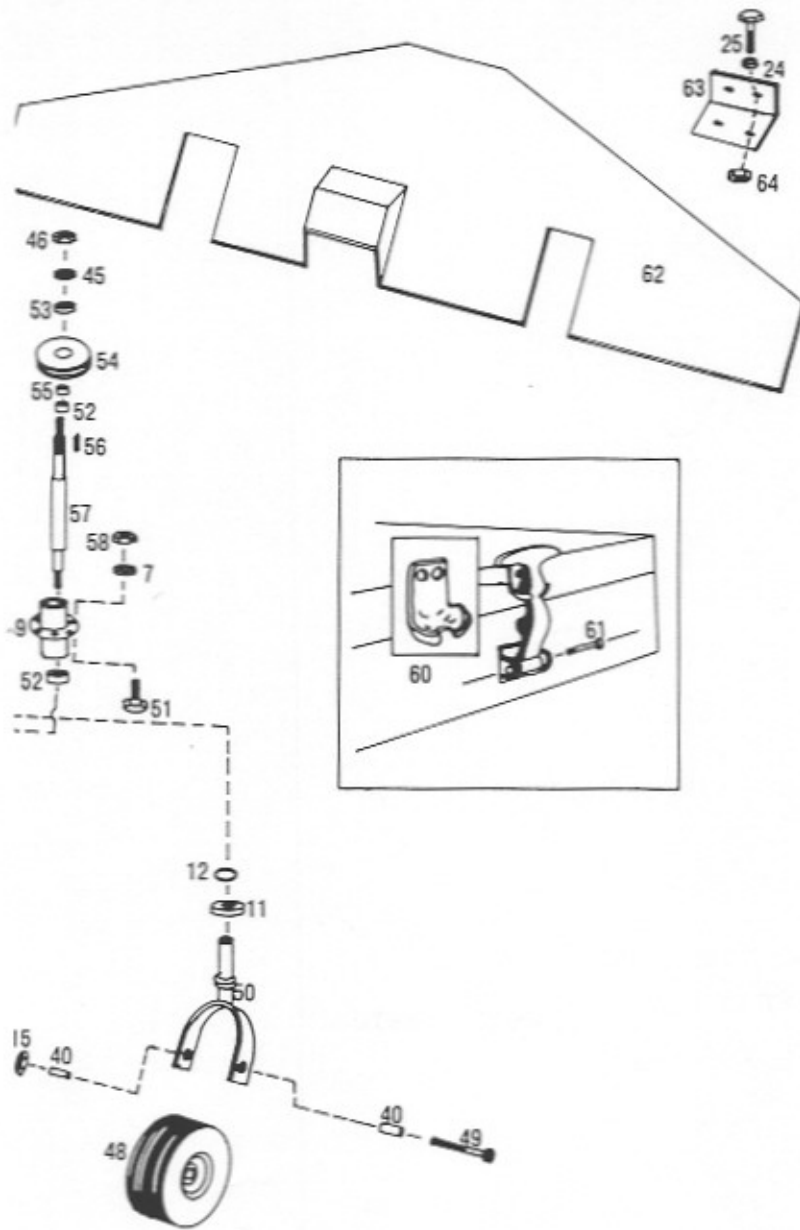
While Operating:

- Wear sensible clothing—long pants; boots or heavy shoes that will grip, even in wet weather; safety glasses to protect the eyes from low hanging branches; and thin gloves (like golfers') for a sure grip. Also, don't wear anything that's so loose that it might get caught on something.
- If your mower ever vibrates excessively or sounds unusual, shut off your engine, disconnect the spark plug(s) and disengage the blade drive. Then—and only then—look underneath the cutting section for something caught in the blade, or something that has been loosened or bent.
- **Never** carry passengers. And don't allow anyone (particularly children) to remain in the area you're about to mow.
- If someone should approach you, or if you need to get off your mower for any reason, shut off your engine completely—including blade drive and ignition. Do this manually, even though your mower has an operator presence control.
- The owner is responsible for keeping the operator presence control working properly.
- Do not race the engine; this is not only dangerous, it's harmful. Don't alter governor settings.
- Never mow at night, or other times when visibility is low.
- Never run the mower indoors where carbon monoxide fumes can collect.
- Handle gasoline with care. Never add fuel to a running engine. And when you run out of gas, give your engine time to cool down before refueling. Gasoline spilled on a hot engine is a fire hazard.
- Allow the engine to cool before storing rider in any enclosure such as a garage or storage shed.
- To reduce potential fire hazard, keep your mower free from build-ups of grass, grease, leaves and accumulations of dirt.

Maintain your Yazoo properly at all times. Check parts frequently and follow our maintenance and storage instructions.



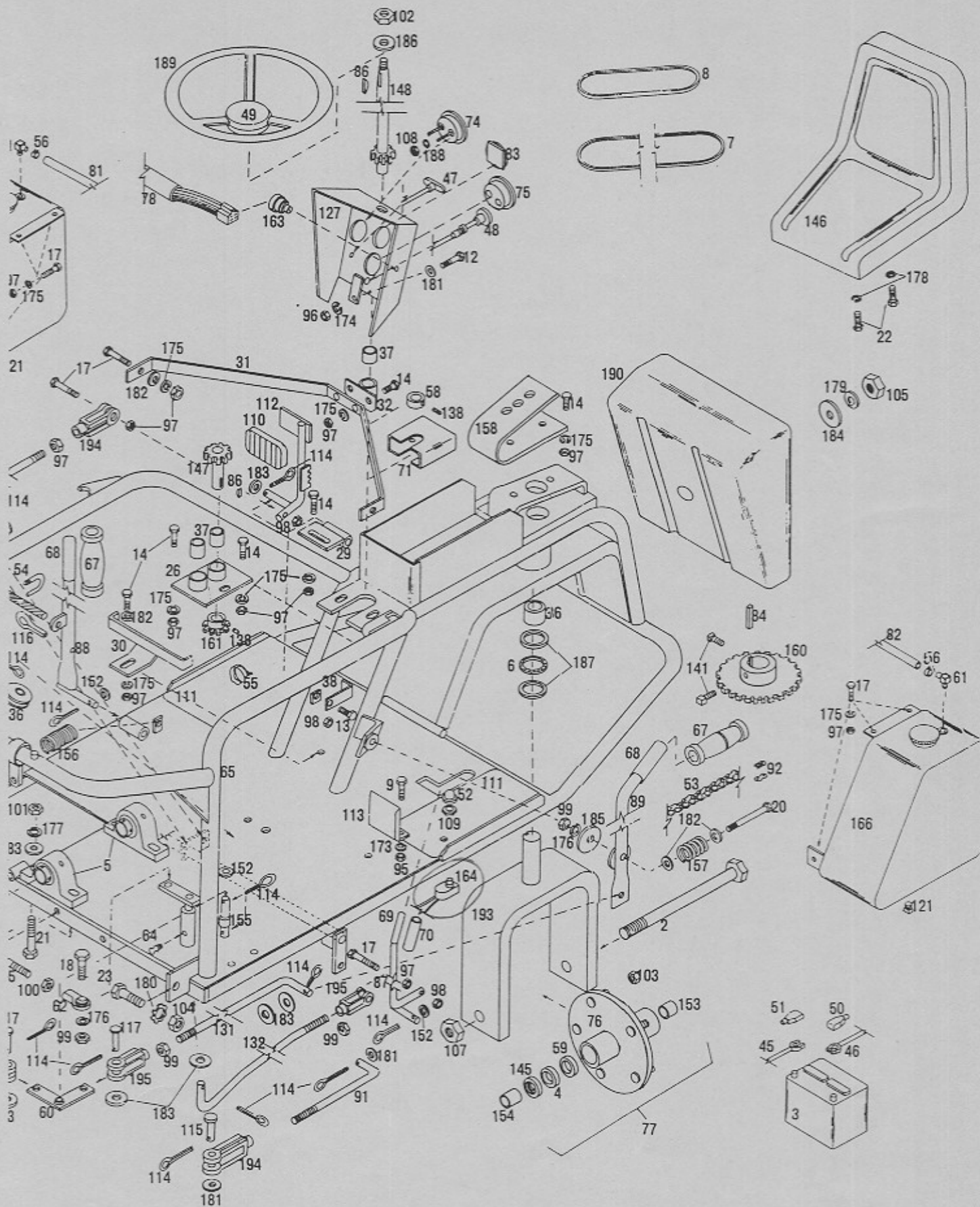
**PSG-48, PSG-60 AND PSG-76
CUTTING SECTION PARTS**

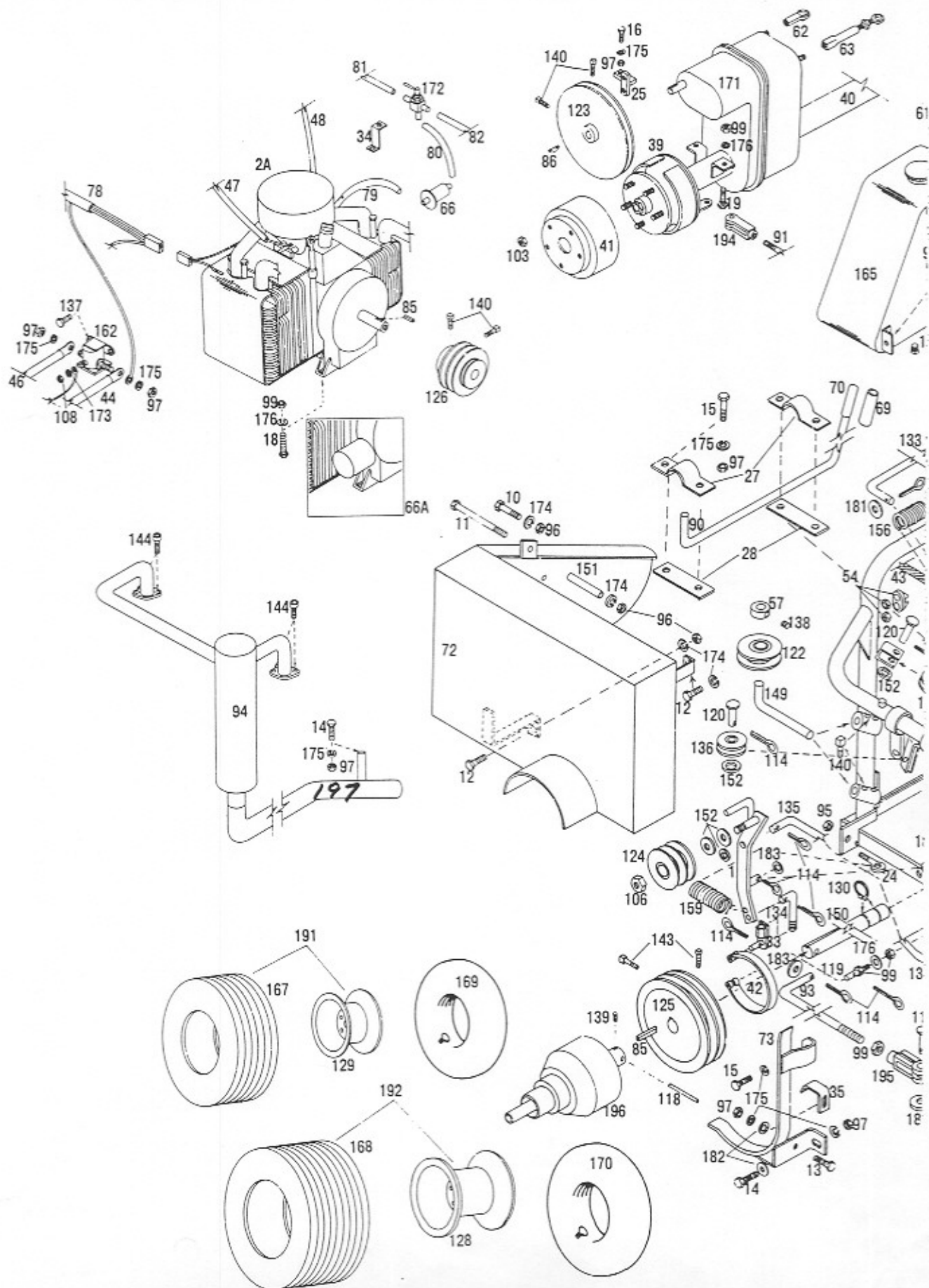


No.	Part No.	Description
1	306-017	Chute, Guard PSG-48
	306-016	Chute, PSG-60
	306-021	Chute, Discharge PSG-76
2	1916-051	Spring, C/S Lift
3	1604-043	Pin, Clevis B/W Guard
4	2301-020	Washer, 1/4" Flat
5	1604-002	Pin, Cotter 3/32" x 1"
6	209-108	Bolt, 5/16" x 3/4" USS Cap
7	2301-004	Washer, 5/16" Lock
8	2301-102	Washer, Flat
9	1913-121	Spacer, 1 1/4" OD x 1" x 1 1/2"
10	1913-120	Spacer, 1 1/4" OD x 1" x 1"
11	2301-098	Washer, 3/8" OD
12	1806-002	Ring, 1 1/4" OD x 1" O Ring ID

No.	Part No.	Description
13	603-004	Fitting, Grease
14	215-122	Bushing, 1 1/4" x 1" x 1"
15	1401-072	Nut, 5/8" SAE Flex Lock
16	2302-004	Wheel, C/S Small
17	2501-032	Yoke, 1" Rear C/S
18	215-025	Bushing, 5/8" ID x 2 1/2"
19	103-095	Axle, w/Grease Zerk
20	502-004	End, Rod
21	1401-070	Nut, SAE Jam
22	2301-011	Washer, 5/8" Star Lock
23	102-058	Arm, PSG-48 Cut Sec
	102-056	Arm, PSG-60 Cut Sec
	102-057	Arm, PSG-76 Cut Sec
24	2301-006	Washer, 3/8" Lock
25	209-314	Bolt, 3/8" x 1" NC HH

No.	Part No.	Description
26	605-095	Frame, PSG-48
	605-094	Frame, PSG-60
	605-093	Frame, PSG-76
27	1608-145	Pulley, Center PTO
28	1102-002	Key, 3/16" x 3/16" x 1"
29	407-007	Drive, Right Angle
30	1901-033	Screw, Set 5/16" x 3/4" SH
31	205-053	Belt, PSG-48 (Wing)
	205-061	Belt, Wing, RAD PSG-60
	205-073	Belt, PTO Trans PSG-76
32	205-046	Belt, PSG-48
	205-055	Belt, Wing, RAD PSG-60
	205-066	Belt, Trans PSG-76
33	1604-068	Pin, Roll 5/16" x 2 1/4"
34	1904-190	Shaft, Drive Complete
35	1809-003	Roller, Rubber C/S PSG
36	1604-042	Pin, Cotter
37	1809-003-002	Roller, Pin, Roller
38	209-634	Bolt, 5/8" x 2"
39	1608-095	Pulley, Idler (New C/S)
40	1913-232	Spacer, 3/8" OD x .36" OD x 1/2"
41	2301-010	Washer, 3/8" Lock
42	101-003	Adapt, Blade
43	1906-006	Shield, HUB
44	2301-096	Washer, Concave
45	2301-012	Washer, 5/8" LH Lock
46	1401-073	Nut, 5" LH SAE
47	206-748	Blade, PSG-48 Offset
	206-760	Blade, PSG-60 Offset
	206-776	Blade, PSG-76 Offset
	2306-078	Wheel, Front PSG-48
	2305-059	Wheel, Assy, FRT C/S PSG-60 & PSG-76
49	209-168	Bolt, 5/8" x 6 1/2"
50	2501-031	Yoke, 1" FRT C/S PSG-48
	2501-040	Yoke, PSG-60 & PSG-76 (Front)
51	209-120	Bolt, 5/16" x 1 1/4" NC HH
52	204-060	Bearing, 3/4" HUB
53	2301-028	Washer, 1 1/8" OD x 3/4" ID x 1 3/4"
54	1608-144	Pulley, Wing
55	1913-200	Spacer, 1 1/8" OD x 3/8" ID x 1 1/2"
56	1102-001	Key, 3/16" x 3/16" x 1"
57	1904-063	Shaft, PSG-C/S
58	1401-020	Nut, 5/15" USS
59	806-206	Housing, HUB PSG
60	1208-023	Latch, Hood, Assy
61	1604-093	Pin, Hood Latch
62	804-076	Hood, PSG-48
	804-077	Hood, PSG-60
	804-078	Hood, PSG-76
63	214-329	Bracket, Lift PSG-48 / PSG-60
	214-328	Bracket, Lift PSG-76
64	1401-030	Nut, 3/8" USS
65	603-007	Fitting, Grease 90° metric





174-A

PTO-KM 17/18 CHASSIS PARTS

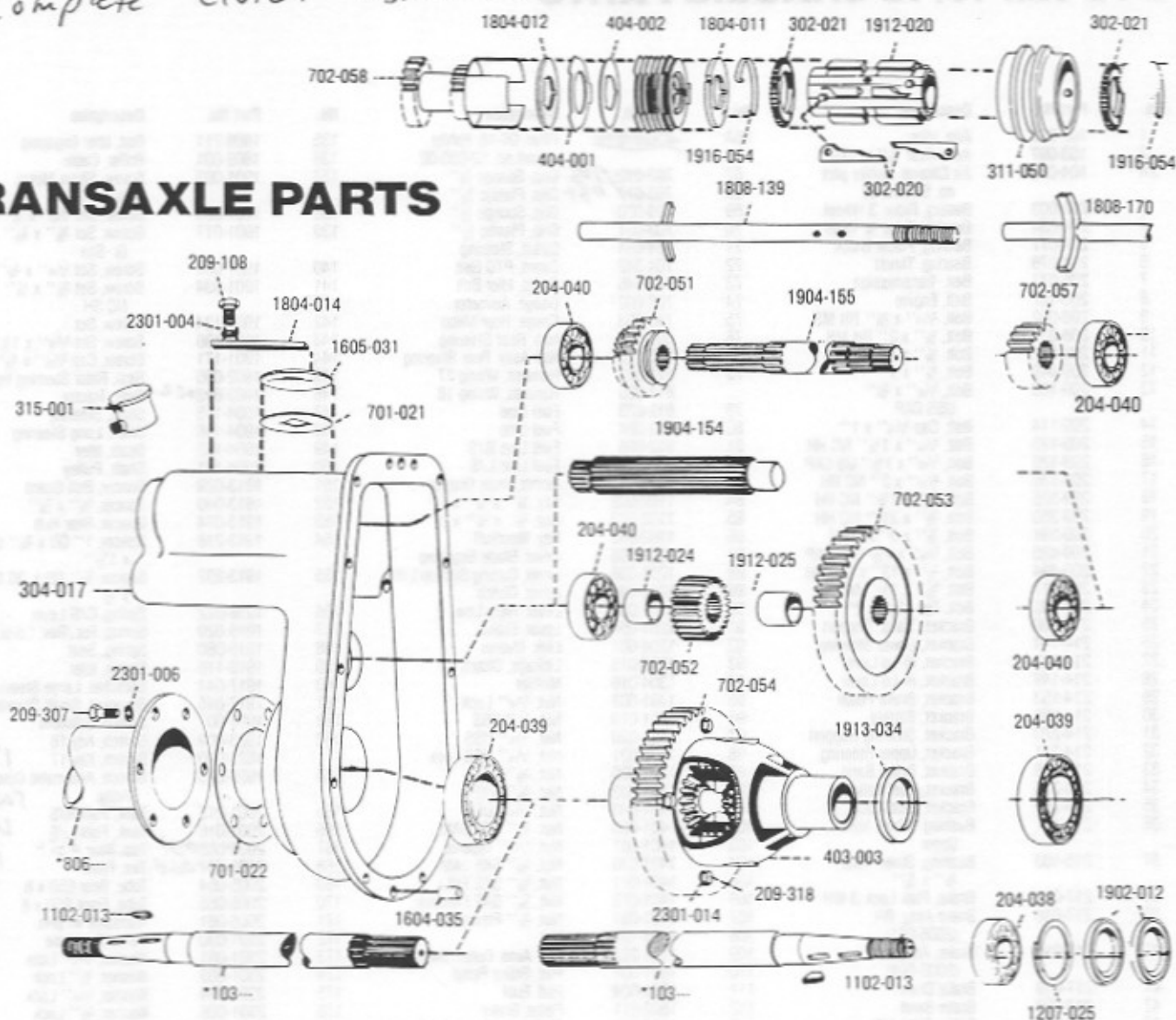
No.	Part No.	Description	No.	Part No.	Description	No.	Part No.	Description
1	102-077	Arm, Idler	66A	610-018	Filter, Oil-18, Kohler	135	1808-211	Rod, Idler Engaging
2	103-097	Axle, Rear 3/4" x 10 1/2"			part no. 52-050-02	136	1809-001	Roller, Cable
2A	104-006	Air Cleaner, Kohler part no. 52-050-02	67	102-076 703	Grip, Sponge 3/8"	137	1901-003	Screw, Sheet Metal 1/4" x 3/4"
			68	703-077 703	Grip, Plastic 3/8"			Screw, Set 5/16" x 1/4" HH
3	203-003	Battery, Rider, 3 Wheel	69	703-020	Grip, Sponge 1/2"	138	1901-006	Screw, Set 3/8" x 3/8"
4	204-034	Bearing, Cone 3/4 Taper	70	703-021	Grip, Plastic 1/2"	139	1901-017	Dr. Sha
5	204-077	Bearing, Pillow Block	71	704-084	Guard, Steering			Screw, Set 5/16" x 3/4"
6	204-078	Bearing, Thrust	72	704-342	Guard, PTO Belt	140	1901-033	Screw, Set 3/8" x 1/4"
7	205-071	Belt, Transmission	73	704-346	Guard, Idler Belt	141	1901-034	Screw, Set 3/8" x 1/4"
8	205-137	Belt, Engine	74	706-002	Gauge, Ammeter			NC SH
9	208-002	Bolt, 5/16" x 3/4" RH MS	75	706-003	Gauge, Hour Meter	142	1901-134	Screw, Set
10	208-031	Bolt, 1/2" x 2" RH MS	76	807-038	Hub, Rear Steering	143	1901-136	Screw, Set 5/16" x 1 1/4"
11	208-032	Bolt, 3/8" x 2 1/2" RH MS	77	808-123	Hub Assy, Rear Steering	144	1901-171	Screw, Cap 5/16" x 3/4"
12	209-049	Bolt, 3/8" x 1"	78	811-007	Harness, Wiring-17	145	1902-005	Seal, Rider Steering Hub
13	209-108	Bolt, 5/16" x 3/4" USS CAP	79	812-023	Harness, Wiring-18	146	1903-043	Seat, Tractor
			80	812-024	Fuel Line	147	1904-115	Shaft, Steering
14	209-114	Bolt, Cap 5/16" x 1"	81	812-026	Fuel Line	148	1904-116	Shaft, Long Steering
15	209-120	Bolt, 5/16" x 1 1/4" NC HH	82	812-029	Fuel Line R/S	149	1904-152	Shaft, Idler
16	209-126	Bolt, 5/16" x 1 1/2" US CAP	83	902-001	Fuel Line L/S	150	1904-191	Shaft, Pulley
17	209-138	Bolt, 5/16" x 2" NC HH	84	1102-002	Incmt, Rider Display	151	1913-029	Spacer, Belt Guard
18	209-326	Bolt, 3/8" x 1 1/2" NC HH	85	1102-012	Key, 1/4" x 1/4" x 1"	152	1913-040	Spacer, 5/8" x 7/8"
19	209-350	Bolt, 3/8" x 2 1/2" NC HH	86	1102-013	Key, 1/4" x 1/4" x 3"	153	1913-074	Spacer, Rear Hub
20	209-391	Bolt, 3/8" x 3" NC HH	87	1201-006	Key, Woodruff	154	1913-216	Spacer, 1" OD x 3/4" ID x 1 1/2"
21	209-425	Bolt, 7/16" x 1 1/2" NC CAP	88	1201-008	Lever, Blade Engaging	155	1913-232	Spacer, 3/8" OD x .36 ID x 1 1/2"
22	209-494	Bolt, 1/2" x 13" x 3/4" HH	89	1201-036	Lever, Cutting Section Lift			Spring, C/S Lever
23	209-617	Bolt, 3/8" x 1 1/2" NF	90	1201-037	Lever, Clutch	156	1916-012	Spring, For./Rev. Lever
24	212-003	Bolt, Eye 3/16" x 2"	91	1201-054	Lever, High/Low	157	1916-020	Spring, Seat
25	214-106	Bracket, Trans. Support	92	1201-054	Lever, Brake	158	1916-080	Spring, Idler
26	214-144	Bracket, Lower Steering	93	1204-001	Link, Master	159	1916-116	Sprocket, Large Steering
27	214-148	Bracket, Hi-Lo Lever	94	1205-015	Linkage, Clutch	160	1917-044	Sprocket, Small Steering
28	214-149	Bracket, Hi-Lo Lever	95	1304-016	Muffler	161	1917-045	Switch, Solenoid
29	214-153	Bracket, Brake Pedal	96	1401-002	Nut, 3/8" Lock	162	1923-007	Switch, Key-18
30	214-206	Bracket, Battery	97	1401-010	Nut, 3/8" USS	163	1923-009	Switch, Key-17
31	214-220	Bracket, Steering Support	98	1401-020	Nut, 3/8" USS Lock	164	1923-023	Switch, Automatic Cutoff
32	214-221	Bracket, Upper Steering	99	1401-021	Nut, 3/8" USS			Assy.
33	214-276	Bracket, Brake Band	100	1401-030	Nut, 3/8" SAE	165	2001-015	Tank, Fuel R/S
34	214-315	Bracket, Fuel Valve	101	1401-032	Nut, 3/8" SAE JAM	166	2001-016	Tank, Fuel L/S
35	214-283	Bracket, Belt Assy.	102	1401-040	Nut, 1/2" USS	167	2003-005	Tire, Rear
36	215-101	Bushing, Wheel Yoke Upper	103	1401-050	Nut, 1/2" SAE JAM	168	2003-007	Tire, Front
			104	1401-061	Nut, 3/8" Tapered	169	2005-054	Tube, Rear 650 x 8
37	215-103	Bushing, Steer. Yoke 3/4" x 1 1/2"	105	1401-070	Nut, 3/8" SAE JAM	170	2005-055	Tube, Front 950 x 8
			106	1401-071	Nut, 3/8" SAE FULL	171	2006-061	Transaxle w/Bkrt.
38	217-012	Brake, Park Lock 3 WH	107	1401-072	Nut, 3/8" SAE Flexlock	172	2201-030	Valve, Fuel Line
39	217-016	Brake Assy, RH (2006-061)	108	1401-081	Nut, 3/4" Flexlock	173	2301-001	Washer, 5/16" Lock
			109	1401-197	Nut, 3/4" Flexlock	174	2301-003	Washer, 1/2" Lock
40	217-017	Brake, Assy, LH (2006-061)	110	1401-222	Nut, Auto. Cutoff Switch	175	2301-004	Washer, 5/16" Lock
			111	1601-001	Pad, Brake Pedal	176	2301-006	Washer, 3/8" Lock
41	217-018	Brake Drum	112	1601-004	Pad, Foot	177	2301-007	Washer, 7/16" Lock
42	217-020	Brake Band	113	1602-011	Pedal, Brake	178	2301-008	Washer, 1/2" Lock
43	301-030	Cable, Deck Lift		1602-012	Pedal, Automatic Cutoff Switch	179	2301-010	Washer, 3/8" Lock
44	301-036	Cable, Solenoid to Starter			Pin, Cotter 3/32" x 1"	180	2301-011	Washer, 3/8" Star Lock
45	301-057	Cable, Negative	114	1604-002	Pin, 5/16" x 1 1/4" Rivet	181	2301-020	Washer, 1/2" Flat
46	301-058	Cable, Positive	115	1604-013	Pin, Cotter 3/16" x 1"	182	2301-021	Washer, 5/16" Flat
47	301-109	Cable, Throttle	116	1604-038	Pin, Rivet 3/8" x 1 1/2"	183	2301-022	Washer, 3/8" Flat
48	301-110	Cable, Choke	117	1604-061	Pin, Roll 5/16" x 2 1/4"	184	2301-028	Washer, 1 3/8" OD x 3/4" ID
49	303-015	Cap, Steering Wheel	118	1604-066	Pin, Break Band	185	2301-045	Washer, Fiber 1 3/4" OD x 3/4" ID
50	303-016	Cap, Battery Red	119	1604-103	Pin, Cable Roller, 3/8" x 1 1/2"			Washer, Concave
51	303-017	Cap, Battery Black	120	1604-107	Plug, Pipe	186	2301-096	Washer, Thrust
52	303-081	Cap, Automatic Cutoff Switch	121	1606-016	Pulley, Assy	187	2301-097	Washer, Star Lock
53	305-045	Chain	122	1608-009	Pulley, Engine Idler	188	2303-008	Wheel, Steering
54	307-002	Clamp, Cable	123	1608-113	Pulley, PTO Shaft	189	2304-009	Weight, Rider
55	307-005	Clamp, 1 1/2 Throttle	124	1608-148	Pulley, Engine-17	190	2305-018	Wheel Assy, Rear
56	307-026	Clamp, Hose	125	1608-336	Pulley, Engine-18	191	2305-022	Wheel Assy, Front
57	311-002	Collar, 3/4"	126	1608-344	Pulley, Instrument	192	2501-018	Yoke, Steering
58	311-003	Collar, 3/4"		1608-374	Panel, Front Wheel Assy.	193	2501-027	Yoke, 5/16"
59	312-008	Cone, Steering Hub	127	1613-002	Rim, Rear Wheel Assy.	194	2501-030	Yoke, 3/8"
60	501-002	Elbow	128	1805-026	Ring, Snap	195	1904-190-001	PTO Shaft, Male Section
61	501-003	Elbow, Fuel	129	1805-027	Rod, Frd./Rev	196	1904-190-002	PTO Shaft, Female Section (Cutting Section)
62	502-002	End, Rod	130	1806-008	Rod, C/S Linkage			
63	502-013	End, Rod	131	1808-143	Rod, Brake Linkage			
64	603-004	Fitting, Grease	132	1808-144	Rod, Brake Band			
65	605-065	Frame, Main	133	1808-149				
66	610-011	Filter, Fuel	134	1808-203				

1923-030
Safety Sw.
White 4
push button
4 wires

197 1615-016 TAIL PIPE

Clutch gasket set 0701-087
 Complete clutch 0310-020

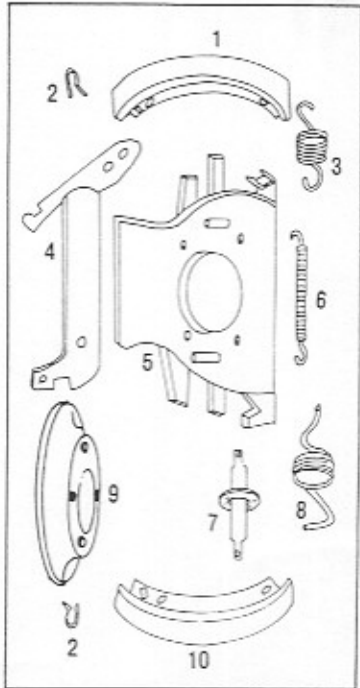
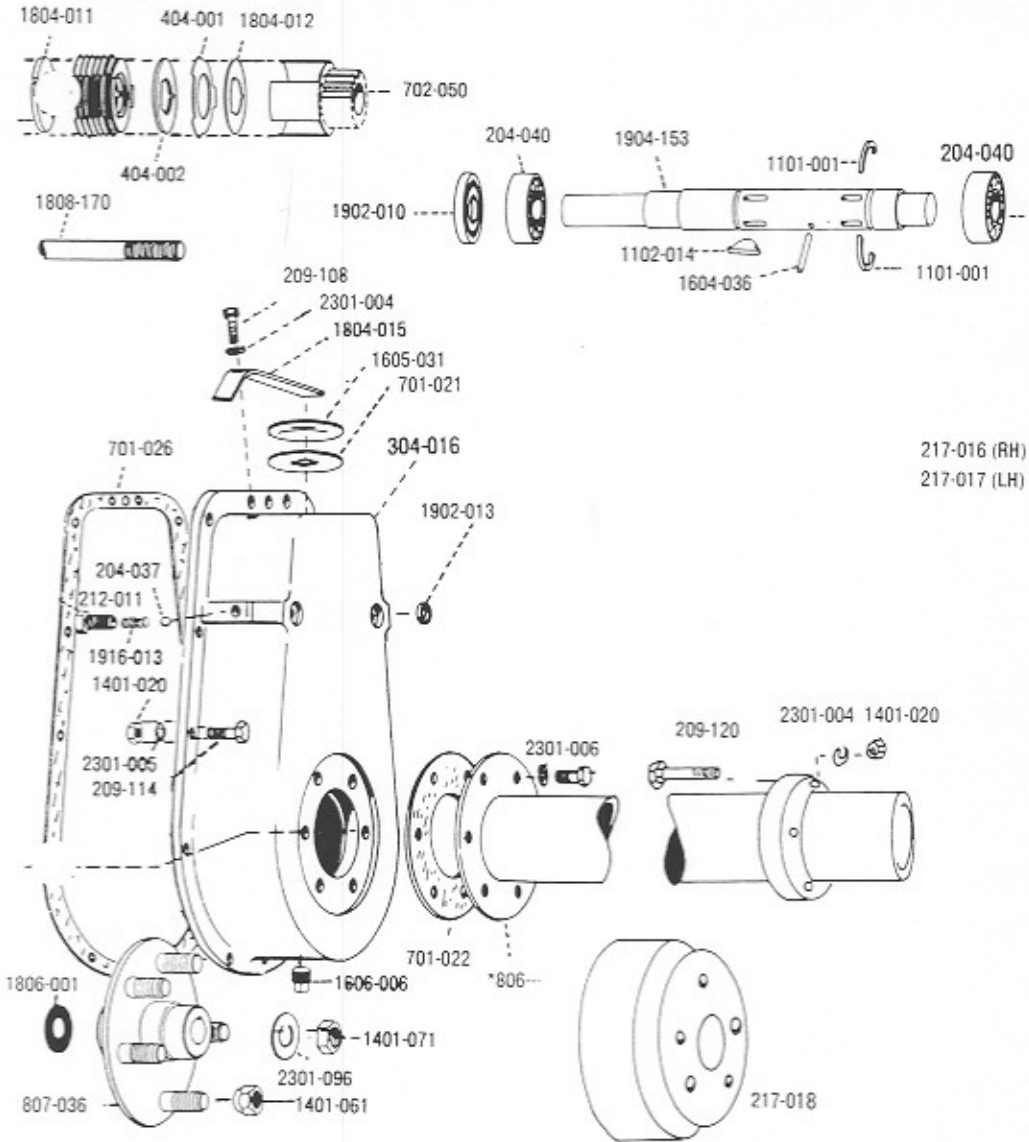
TRANSAXLE PARTS



Part No. Description

* 103-082	Long axle	403-003	Complete differential (less gear)
* 103-091	Short axle	404-001	Outer disc (16 required)
204-037	Detent ball	404-002	Inner disc (14 required)
204-038	Ball bearing	701-021	Inspection plate gasket
204-039	Diff. Carrier bearing	701-022	Axle housing gasket
204-040	Ball bearing	702-050	Reverse gear
209-108	5/16-18 x 3/4" HH bolt	702-051	Hi-Low shift gear
209-114	5/16-18 x 1" HH bolt	702-052	Differential drive gear
209-120	5/16 x 1 1/4" HH bolt	702-053	Intermediate drive gear
209-307	3/8-16 x 3/4" HH bolt	702-054	Differential gear
209-318	3/8-24 x 1" HH Ht. bolt	702-057	Primary drive gear
212-011	Spring retainer bolt	702-058	Forward drive gear
217-018	Brake drum	* 806-090	Short axle housing
217-016	Brake assembly (RH)	* 806-091	Long axle housing
217-017	Brake assembly (LH)	807-036	Rider drive wheel hub
302-020	Clutch dog cam	1101-001	Keeper, 2 Halves
302-021	Clutch adjustment cam	1102-013	Woodruff key
304-016	Deep half case	1102-014	Hypoc key
304-017	Shallow half case, with transaxle brake	1207-025	Ring lock
311-050	Selector collar	1401-020	5/16-18 nut
315-001	Oil breather cup		

Handwritten signature or mark at the top of the page.



217-016 (RH)
217-017 (LH)

At the time of printing, brake parts were available only as part of a complete kit. They are numbered for easier identification in case individual parts become available.

- 1401-020 5/16-18 nut
- 1401-061 7/16" tapered nut
- 1401-071 5/8-18 full nut
- 1604-035 3/8" x 3/4" dowell pin
- 1604-036 Clutch retainer pin
- 1605-031 Oil fill inspection plate
- 1606-006 3/8" standard pipe drain plug
- 1804-011 Inner disc retainer
- 1804-012 Outer disc retainer
- 1804-014 Inspection plate retainer
- 1804-015 Inspection plate retainer
- 1806-001 3/4" I.D. x 1" O.D. ring
- 1808-139 Hi-Low selector rod, used with brake
- 1808-170 Forward & reverse selector rod, used with brake
- 1902-012 Axle seal
- 1902-013 Control rod oil seal
- 1904-153 Clutch shaft
- 1904-154 Splined shaft
- 1904-155 Intermediate drive shaft
- 1912-020 Clutch sleeve

- 1912-024 Short clutch sleeve
- 1912-025 Intermediate sleeve, long
- 1913-034 Differential spacer
- 1916-013 Detent spring
- 1916-054 Clutch adjusting spring
- 2301-004 5/16" lock washer
- 2301-005 5/16" ext. star lock washer
- 2301-006 3/8" lock washer
- 2301-014 3/8" Int. star lock washer
- 2301-096 5/8" cupped spring washer

310-020 Complete clutch
2006-061 Transaxle w/brake,
PTO Wisconsin & PTO Briggs + Kolar

*A check of parts list is required for complete part number