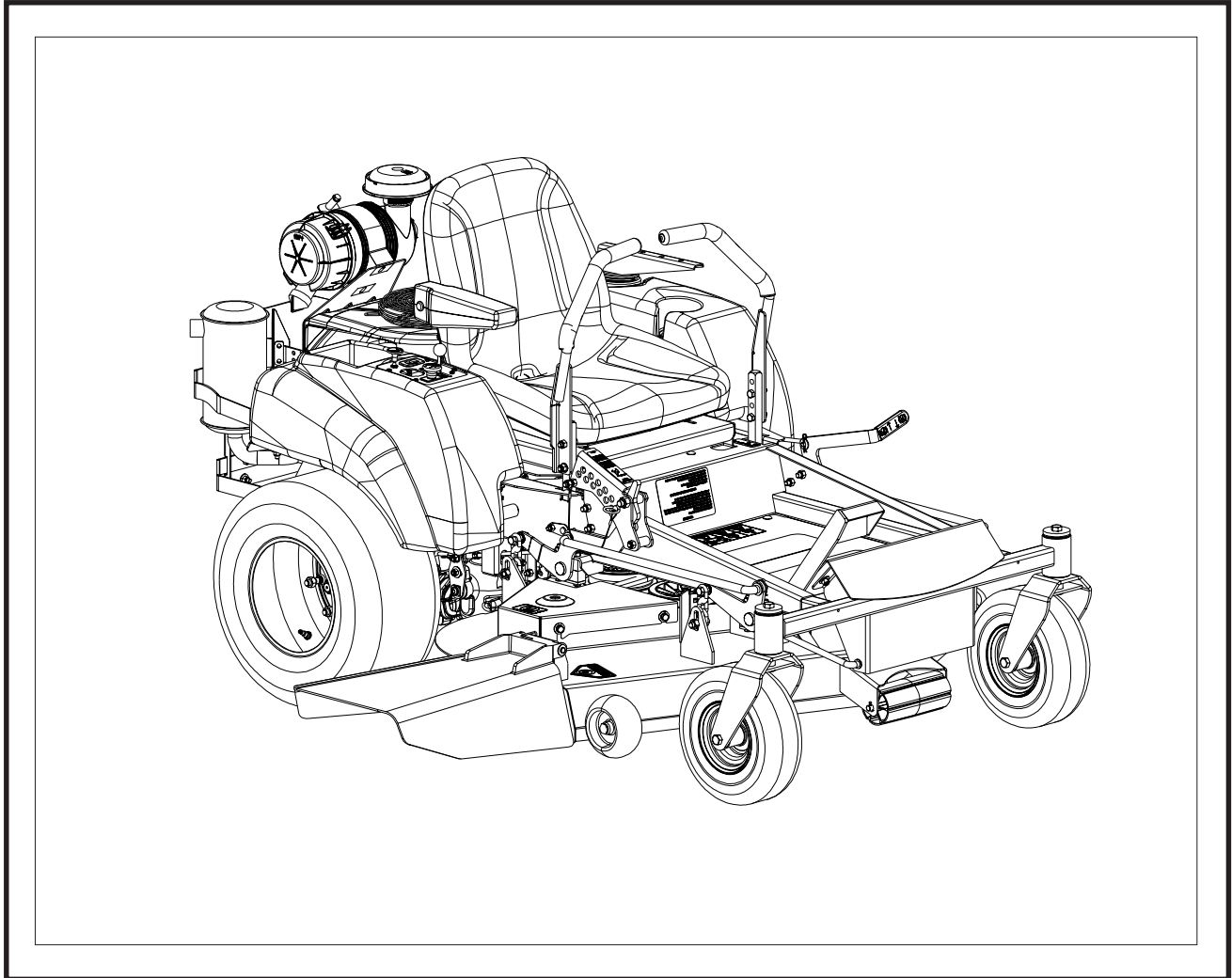


YAZOO/KEES



Parts manual

Models:

968999295/ZEKW42170

968999296/ZEKW52210

968999506/ZEKW48190

MODEL NUMBER _____

SERIAL NUMBER _____

DATE PURCHASED _____

DEALER ADDRESS _____

NOTES: _____

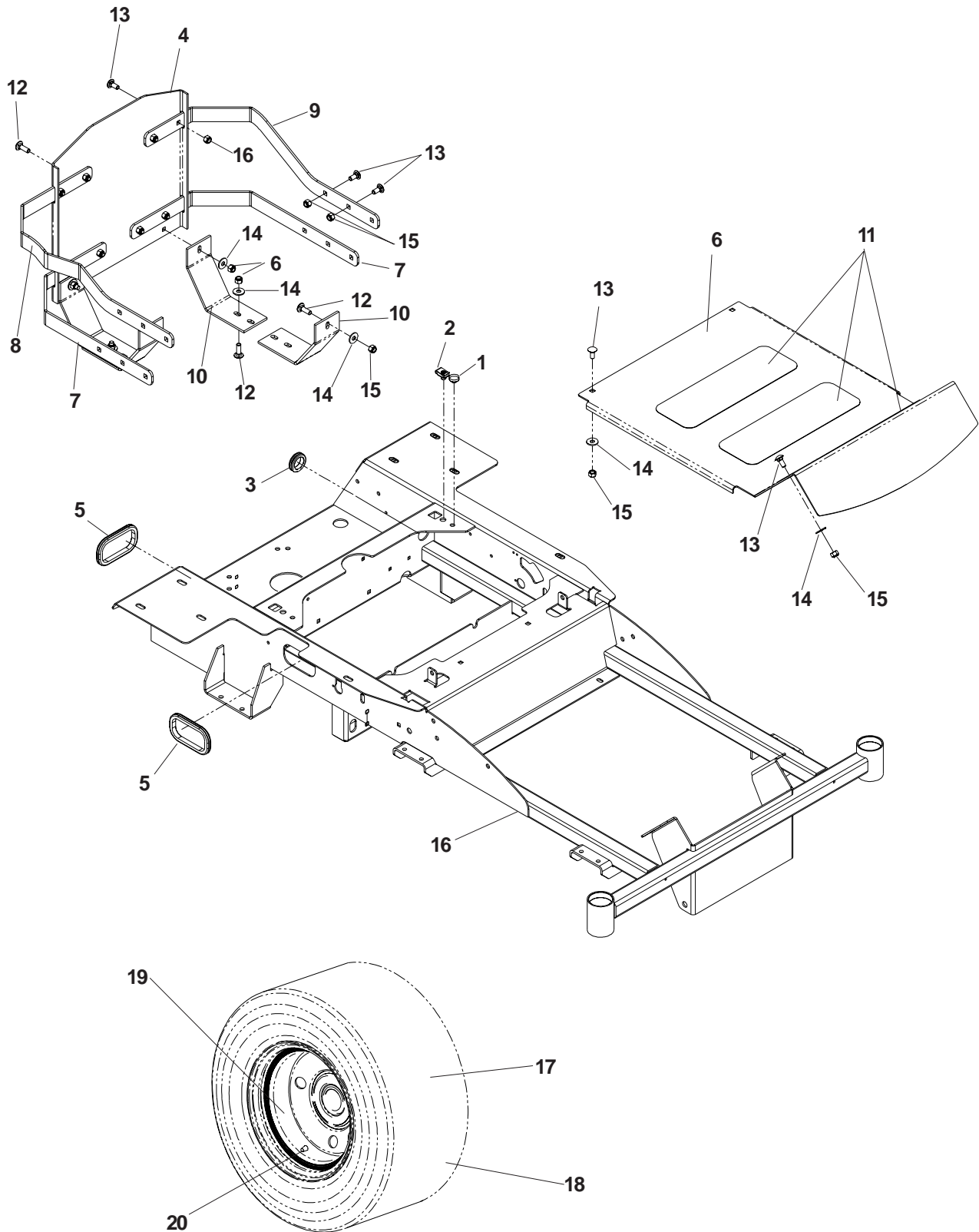
CONTENTS

**SECTION
PAGE**

MAIN FRAME	4-7
DECK LIFT	8-9
CONTROL LEVERS	10-11
PARK BRAKE	12-13
CASTER ASSEMBLY	14-15
SEAT ASSEMBLY	16-17
CONSOLE ASSEMBLY	18-19
KAWASAKI ENGINE ASSEMBLY	20-21
42" DECK ASSEMBLY	22-23
48" DECK ASSEMBLY	24-25
52" DECK ASSEMBLY	26-27
HYDRAULIC ASSEMBLY	28-29
DECAL ASSEMBLY	30-31
ACCESSORY 42" MULCH KIT	32
ACCESSORY 52" MULCH KIT	33
WIRING DIAGRAM	34

NOTE: ALL FASTENERS ARE GRADE 5 UNLESS OTHERWISE SPECIFIED.

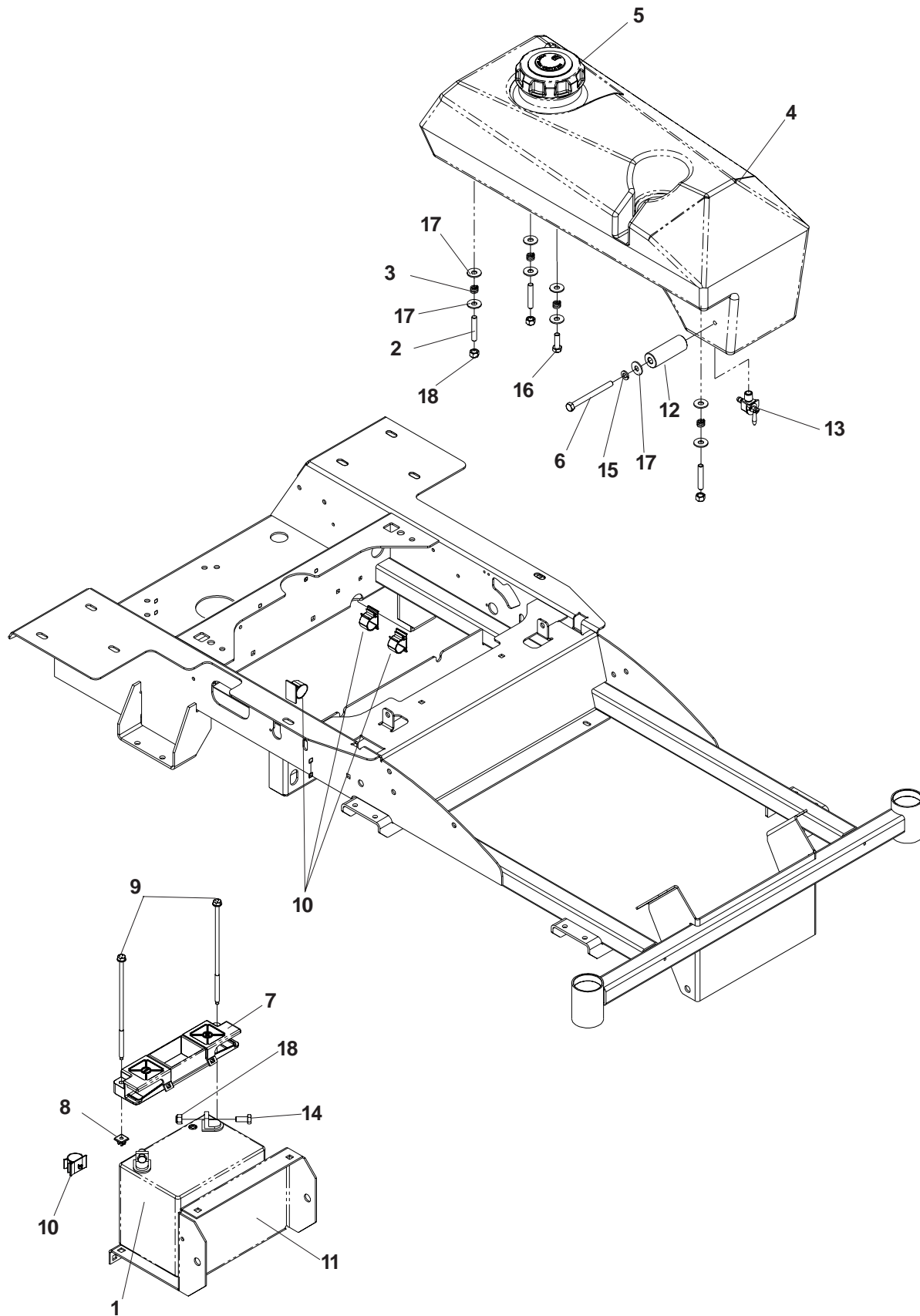
MAIN FRAME



MAIN FRAME

ITEM	PART NO.	QTY.	DESCRIPTION
1	539 102587	2	GROMMET, BUMPER
2	539 104763	2	NUT, 5/16-18, U-TYPE
3	539 105974	1	GROMMET, RUBBER
4	539 106959	1	ENGINE, GUARD
5	539 107116	2	GROMMET
6	539 112754	1	FLOOR PAN
7	539 112780	2	GUARD, LOWER
8	539 112781	1	GUARD, UPPER RIGHT
9	539 112782	1	GUARD, UPPER LEFT
10	539 112783	4	PLATE, SKID
11	539 977778	3	PAD, ABRASIVE
12	539 990208	6	RHSNB, 5/16-18 X 1, GR5
13	539 990316	30	RHSNB, 5/16-18 X 3/4, GR5
14	539 990692	30	WASHER, 5/16
15	539 990717	56	NUT, 5/16-18, NYLOC
16	539 112795	1	FRAME W/DECALS
17	539 112212	2	TIRE & RIM, MODEL 968999295
	539 112215	2	TIRE & RIM, MODELS: 968999296, 968999506
18	539 112213	1	TIRE, MODEL 968999295
	539 112216	1	TIRE, MODELS 968999296, 968999506
19	539 112214	1	RIM, MODEL 968999295
	539 112217	1	RIM, MODELS 968999296, 968999506
20	539 912234	1	VAVLE STEM

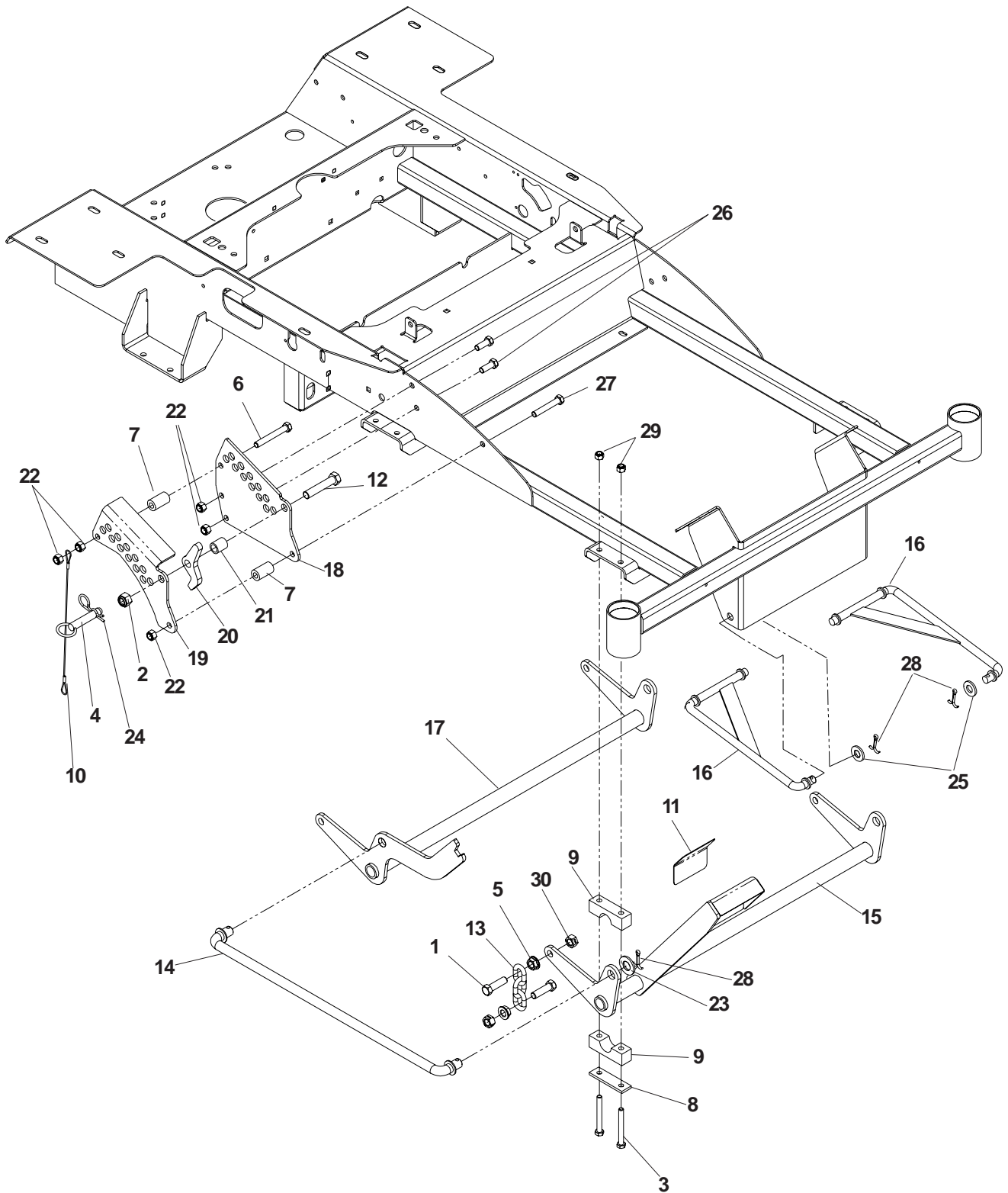
MAIN FRAME



MAIN FRAME

ITEM	PART NO.	QTY.	DESCRIPTION
1	539 102436	1	BATTERY, DRY
2	539 102502	6	STUD, 5/16C
3	539 102845	8	SPRING, FUEL TANK
4	539 105452	1	TANK, FUEL, LEFT
5	539 106188	1	FUEL CAP, ANTISPLASH
6	539 107270	2	HCS, 5/16-18 X 3 1/2, GR5
7	539 107628	1	BATTERY HOLD DOWN
8	539 107629	2	NUT, 1/4, PUSH NYLON
9	539 107632	2	BOLT, 1/4 X 7 1/2, SPEC
10	539 110815	5	WIRE CLIP, PUSH MOUNT
11	539 112408	1	BATTERY TRAY
12	539 112446	2	TANK SPACER
13	539 916325	1	VALVE, FUEL
14	539 976934	2	HCS, 5/16-18 X 3/4, GR5
15	539 990187	2	WASHER, 5/16
16	539 990209	2	HCS, 5/16-18 X 1, GR5
17	539 990692	30	WASHER, 5/16
18	539 990717	56	NUT, 5/16-18, NYLOC
	539 112409	1	HARNESS, MAIN (NOT SHOWN)

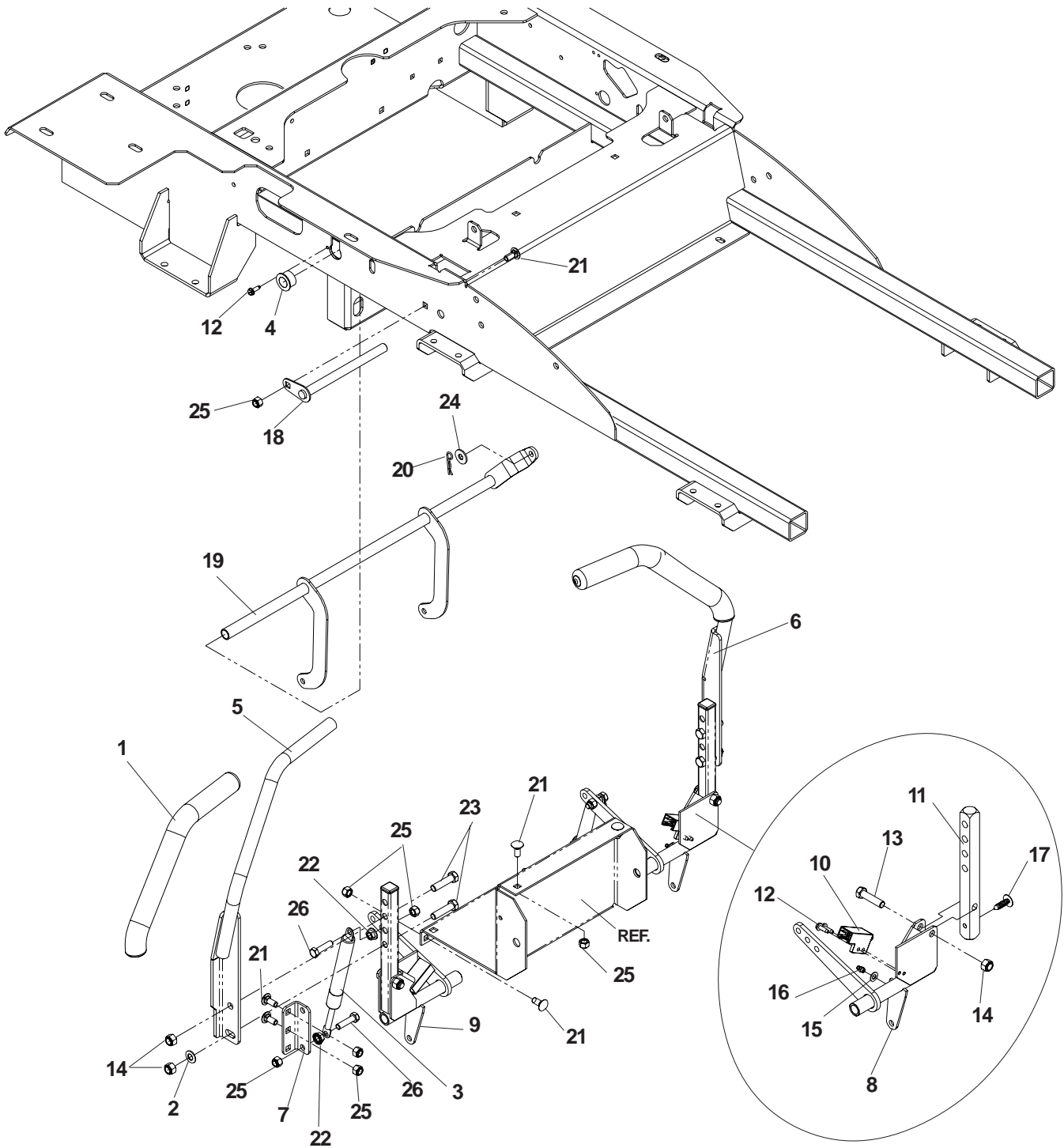
DECK LIFT



DECK LIFT

ITEM	PART NO.	QTY.	DESCRIPTION
1	539 101175	8	HCS, 7/16-14 X 1 1/2, GR5
2	539 101331	1	NUT, 1/2-13, NYLOC
3	539 101721	8	HCS, 5/16-18 X 2 3/4, GR5
4	539 102526	1	PIN LIFT, 1/2 X 2, W/RINGS
5	539 102582	8	NUT, 7/16-14, WHIZLK
6	539 102612	1	HCS, 3/8-16 X 2 3/4, GR5
7	539 104530	2	SPACER
8	539 104807	4	REINFORCER BAR
9	539 104808	8	BLOCK, PILLOW
10	539 105059	1	LANYARD
11	539 105187	1	PAD, ANTI SKID
12	539 108346	1	HCS, 1/2-13 X 2 1/2, GR5
13	539 109693	4	LIFT CHAIN, 3 LINK
14	539 110808	2	CROSS LINK
15	539 112220	1	FRONT LIFT SHAFT
16	539 112223	2	STRUT LINKAGE
17	539 112224	1	REAR LIFT SHAFT
18	539 112230	1	HEIGHT ADJUSTMENT PLATE
19	539 112232	1	HEIGHT ADJUSTMENT PLATE, OUTER
20	539 112234	1	PAWL, STOP
21	539 112236	1	SPACER
22	539 976979	11	NUT, 3/8-16, NYLOC
23	539 976982	4	WASHER, 5/8, SAE
24	539 976989	1	PIN, HAIR, 1/8 X 2 1/2
25	539 990250	2	WASHER, 1/2, SAE
26	539 990563	2	HCS, 3/8-16 X 1, GR5
27	539 990629	3	HCS, 3/8-16 X 2 1/4, GR5
28	539 990654	6	PIN COTTER, 5/32 X 1 1/4
29	539 990717	56	NUT, 5/16-18, NYLOC
30	539 990839	8	NUT, 7/16-14, CENTERLOCK, GR A

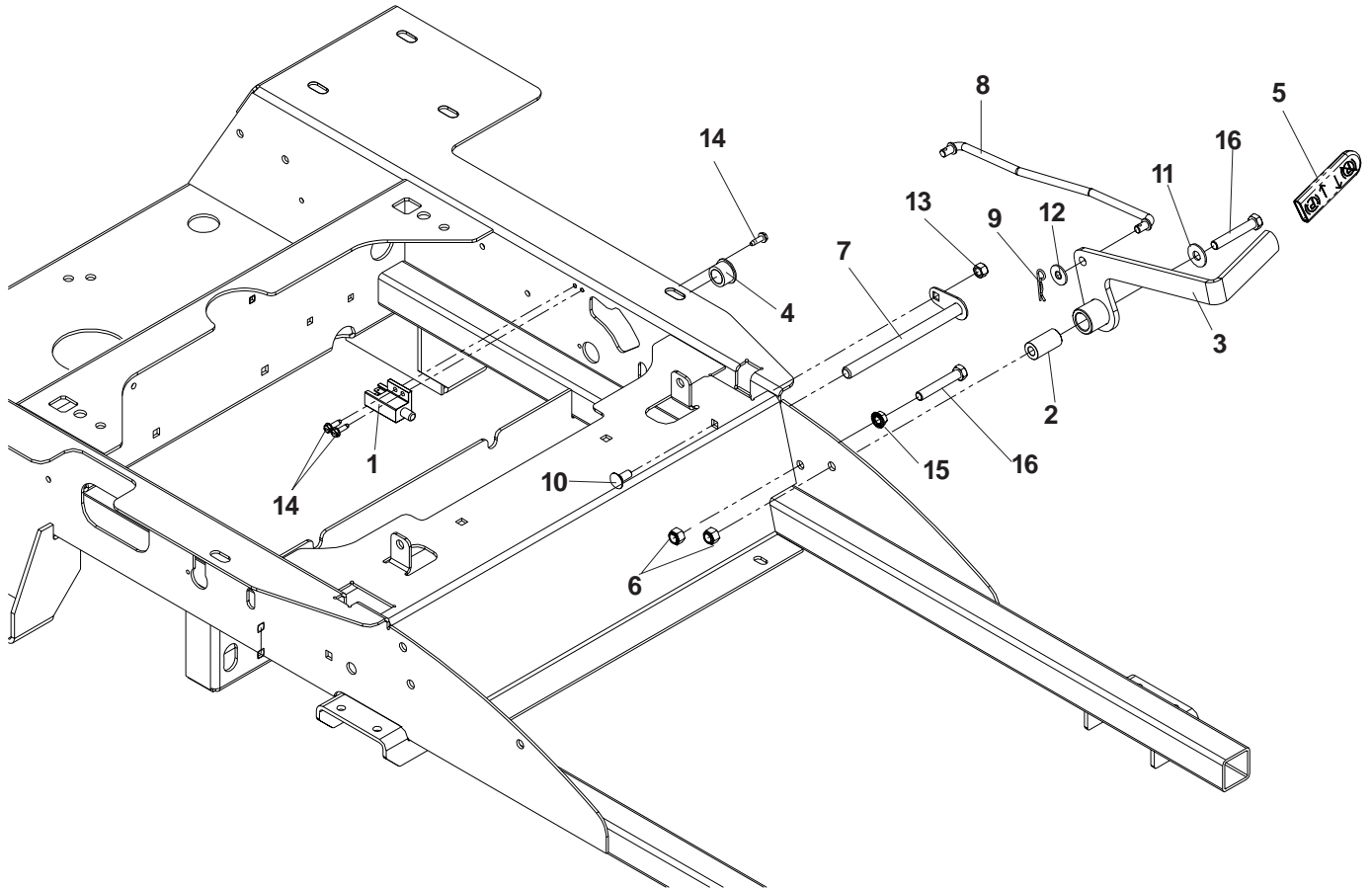
CONTROL LEVERS



CONTROL LEVERS

ITEM	PART NO.	QTY.	DESCRIPTION
1	539 102592	2	CUSHION - DRIVE LEVER
2	539 102593	2	WASHER, 3/8, SPRING, SPEC
3	539 102720	2	DAMPENER
4	539 109368	2	BUSHING, PLASTIC
5	539 110826	1	DRIVE LEVER, RIGHT
6	539 110827	1	DRIVE LEVER, LEFT
7	539 112300	2	DAMPENER BRACKET
8	539 112096	1	CONTROL, LEFT
9	539 112095	1	CONTROL, RIGHT
10	539 101080	2	SWITCH, N.C.
11	539 112088	2	CONTROL ARM
12	539 991034	4	SCREW, 10-24 X 5/8, WASHER HD
13	539 990655	1	HCS, 3/8-16 X 1 1/2, GR5, (LEFT CONTROL ONLY)
14	539 976979	13	NUT, 3/8-16, NYLOC
15	539 103547	2	WASHER
16	539 976998	2	ZERK
17	539 113107	2	RIVET, NYLON PUSH-IN
	539 110122	1	HCS, 3/8-16 X 2 1/2, TPBLT, GR5 (RIGHT CONTROL ONLY) (NOT SHOWN)
	539 990546	1	NUT, 3/8-16, LOCK,(RIGHT CONTROL ONLY) (NOT SHOWN)
18	539 112306	2	PIVOT SHAFT
19	539 112313	1	BRAKE SHAFT
20	539 976988	2	PIN HAIR, .073 X 1 7/16
21	539 990316	30	RHSNB, 5/16-18 X 3/4, GR5
22	539 990585	4	NUT, 5/16-18, WHIZLK
23	539 990655	4	HCS, 3/8-16 X 1 1/2, GR5
24	539 990692	30	WASHER, 5/16
25	539 990717	56	NUT, 5/16-18, NYLOC
26	539 990627	4	HCS, 5/16-18 X 1 1/4, GR5

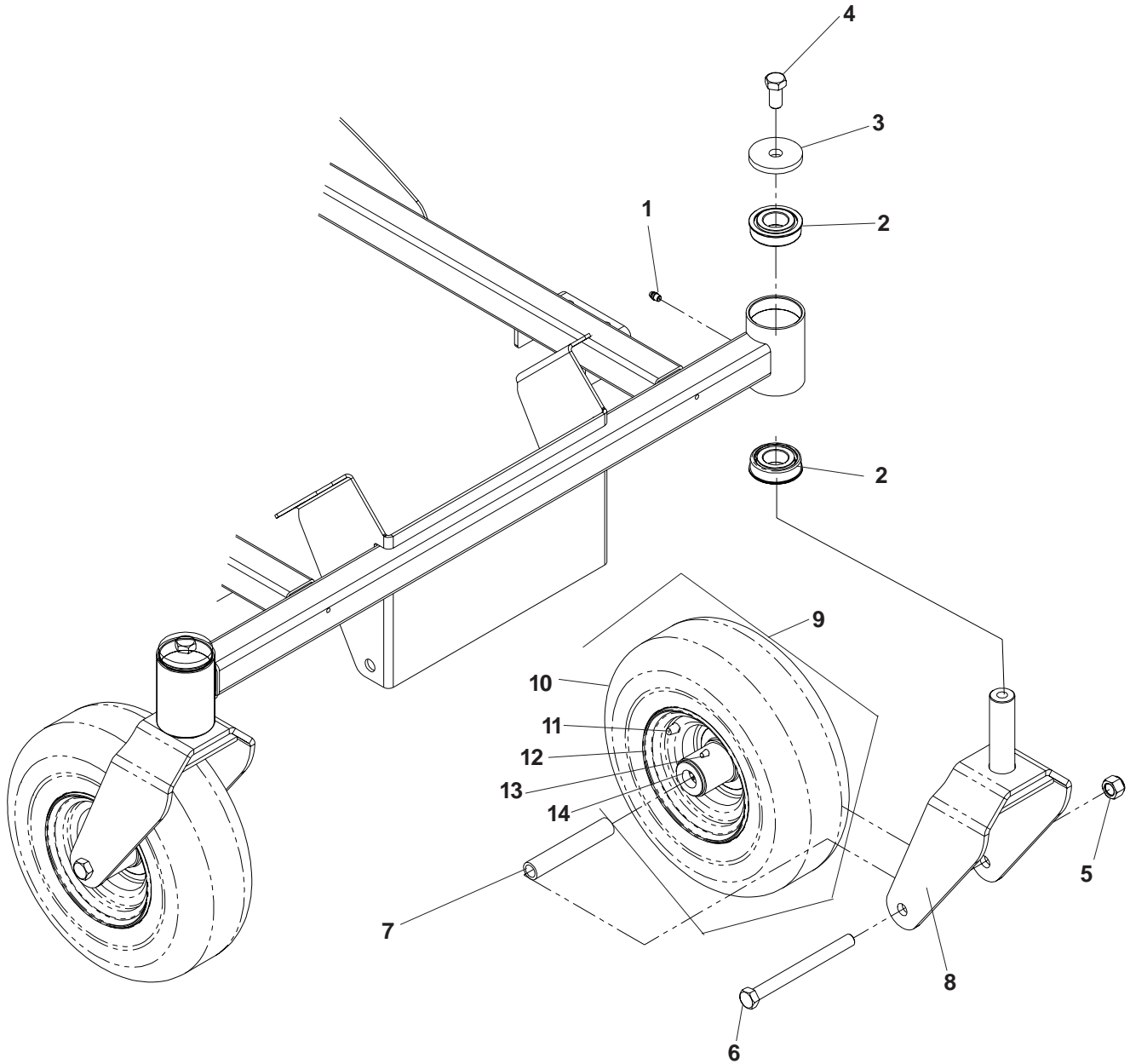
PARK BRAKE



PARK BRAKE

ITEM	PART NO.	QTY.	DESCRIPTION
1	539 101080	1	SWITCH-INTERLOCK
2	539 101836	1	BUSHING
3	539 109363	1	BRAKE LEVER
4	539 109368	2	BUSHING, PLASTIC
5	539 109798	1	GRIP, PARK BRAKE
6	539 976979	13	NUT, 3/8-16, NYLOC
7	539 112306	2	PIVOT SHAFT
8	539 112314	1	LINKAGE
9	539 976988	2	PIN HAIR, .073 X 1 7/16
10	539 990316	30	RHSNB, 5/16-18 X 3/4, GR5
11	539 990517	1	WASHER, 3/8
12	539 990692	30	WASHER, 5/16
13	539 990717	56	NUT, 5/16-18, NYLOC
14	539 991034	4	SCREW, #10-24 X 5/8, WASH HD
15	539 990585	1	NUT, 5/16-18, WHIZLK
16	539 990629	3	HCS, 3/8-16 X 2 1/4, GR5

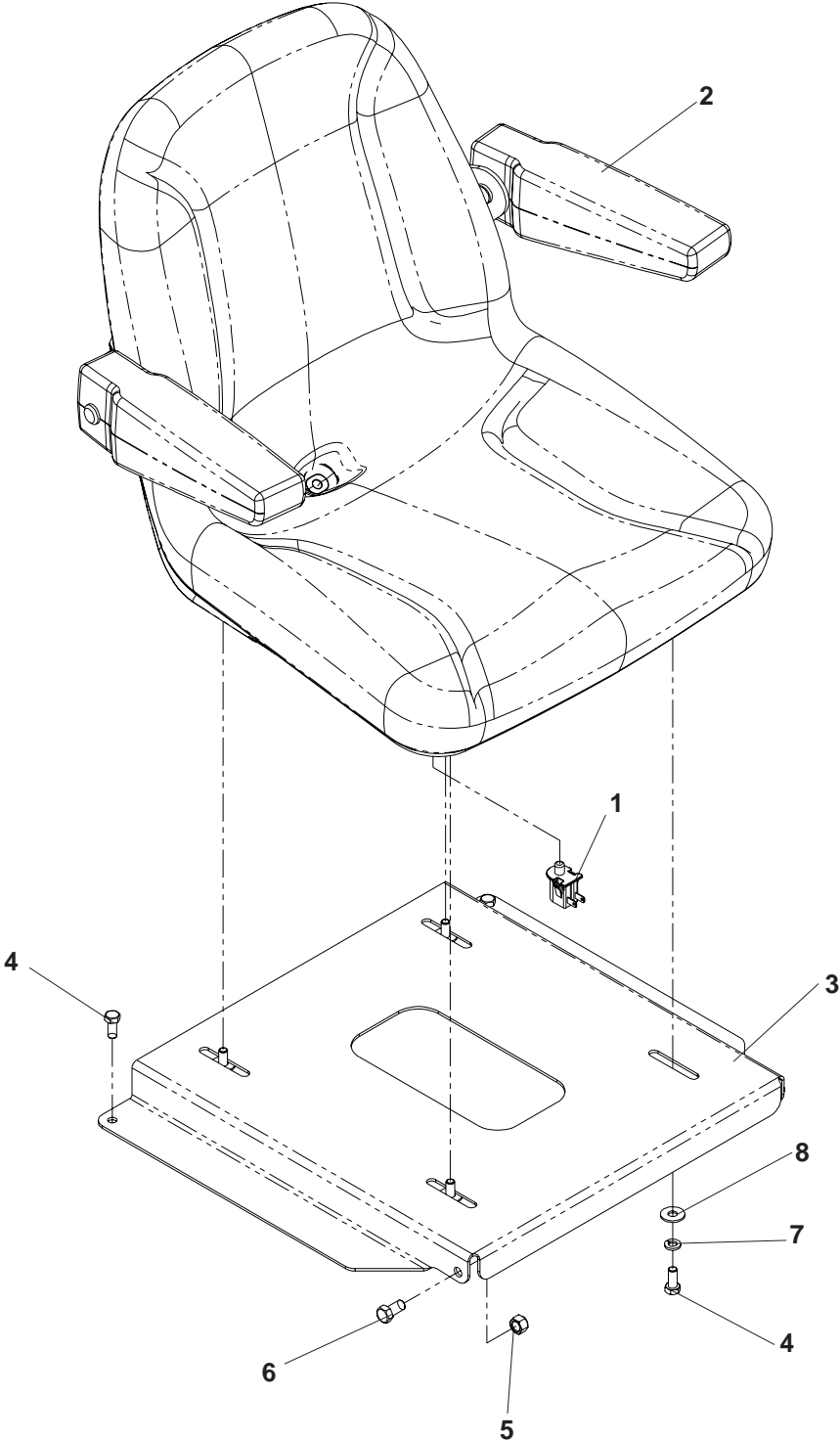
CASTER ASSEMBLY



CASTER ASSEMBLY

ITEM	PART NO.	QTY.	DESCRIPTION
1	539 101474	2	ZERK
2	539 112660	4	BEARING, FLANGED
3	539 112670	2	HEAVY WASHER
4	539 990646	2	HCS, 1/2-13 X 1, GR5
5	539 101331	1	NUT, 1/2-13, NYLOC
6	539 101907	1	HCS, 1/2-13 X 5 1/2, GR5
7	539 105543	1	SPACER
8	539 113445	1	CASTER YOKE
9	539 106993	1	TIRE, COMPLETE
10	539 106995	1	TIRE
11	539 912234	1	VALVE STEM
12	539 106994	1	RIM
13	539 103300	1	ZERK, 45 DEGREES
14	539 102484	2	FLANGE BEARING
	539 105307	1	ROLLER BEARING, 3 1/4 (NOT SHOWN)

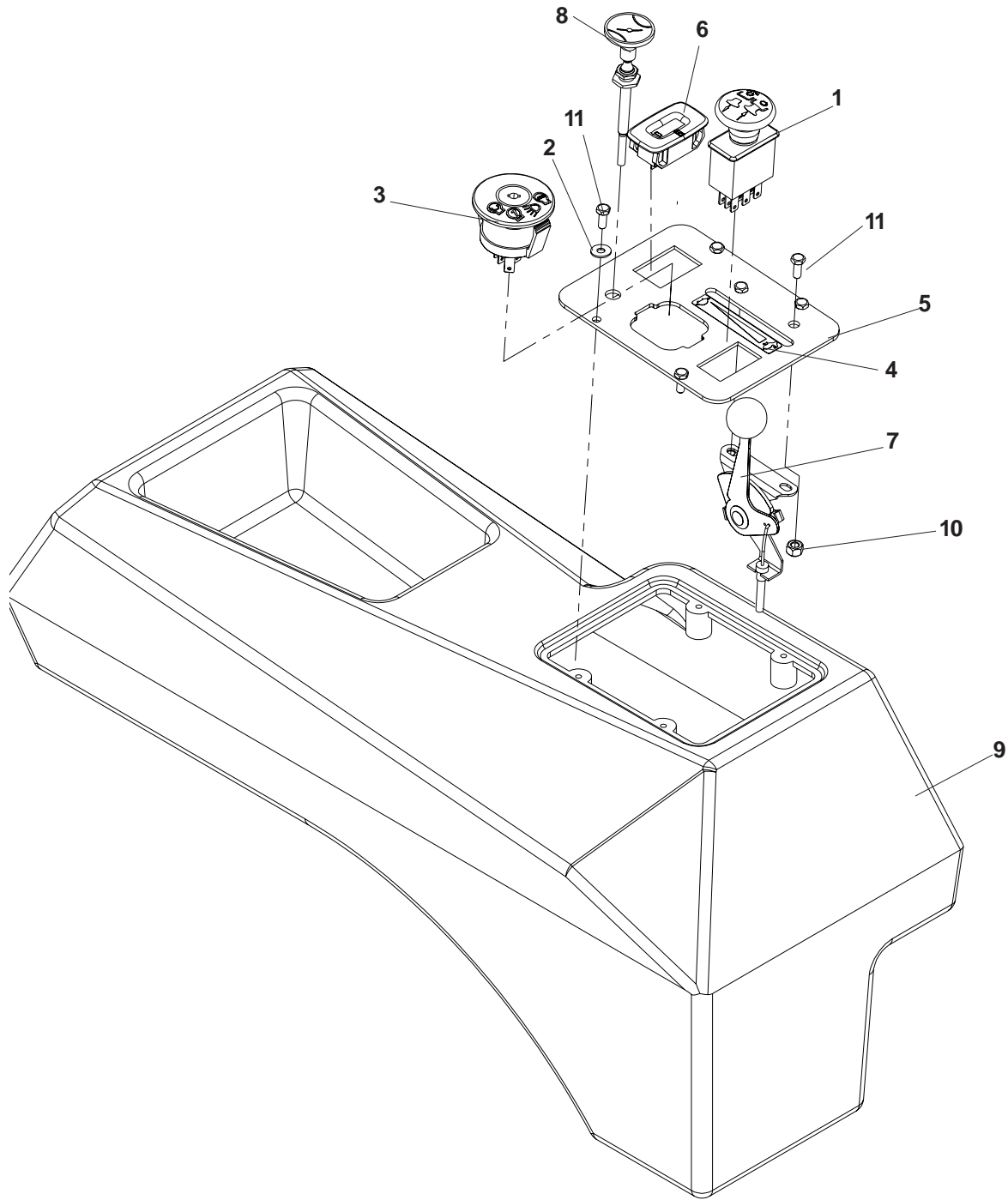
SEAT ASSEMBLY



SEAT ASSEMBLY

ITEM	PART NO.	QTY.	DESCRIPTION
1	539 107523	1	SEAT SWITCH
2	539 108744	1	SEAT W/ARMREST
3	539 112229	1	SEAT MOUNT
4	539 976934	6	HCS, 5/16-18 X 3/4, GR5
5	539 976979	2	NUT, 3/8-16, NYLOC
6	539 990134	2	HCS, 3/8-16 X 3/4, GR5
7	539 990187	4	LOCKWASHER, 5/16
8	539 990692	4	WASHER, 5/16

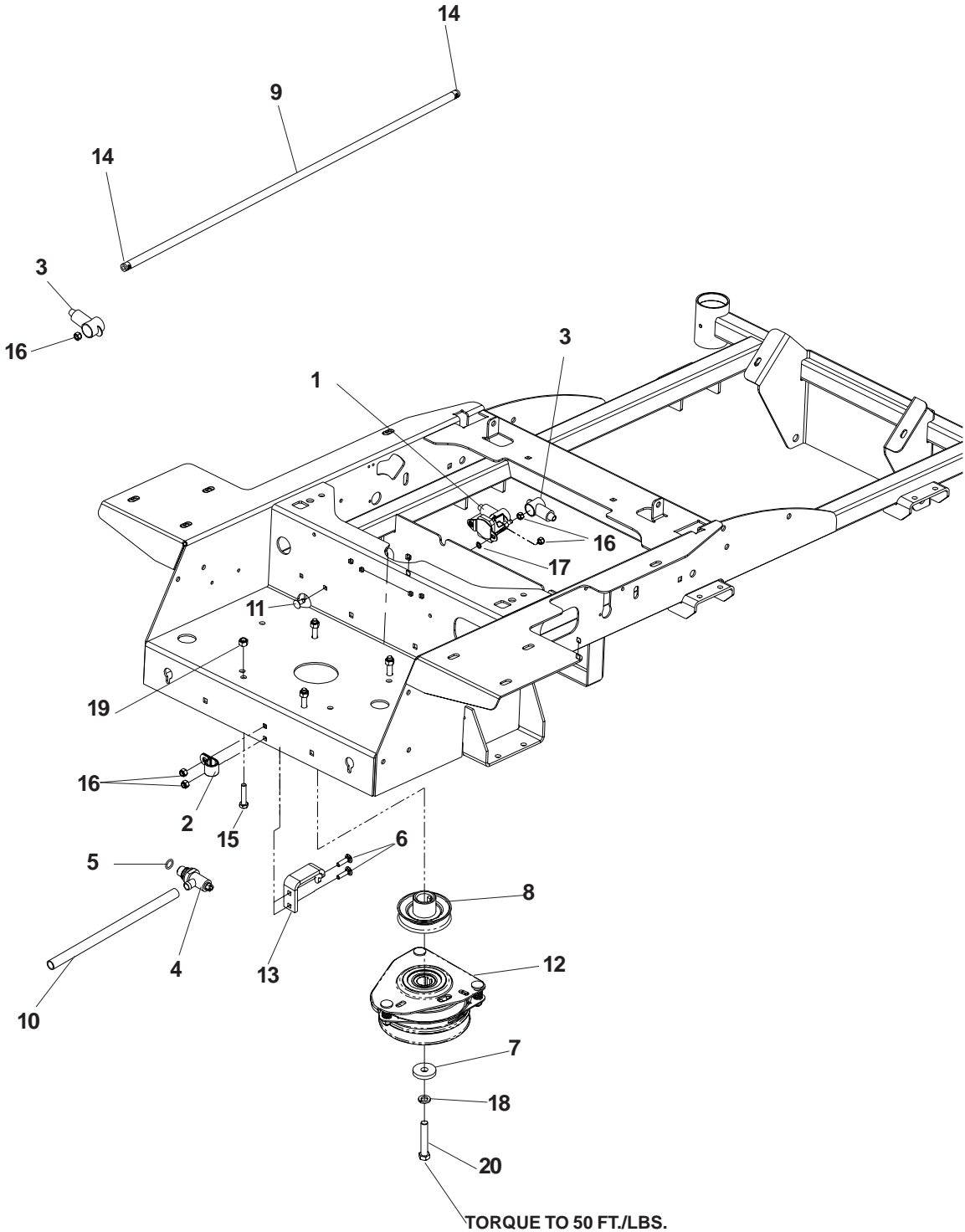
CONSOLE ASSEMBLY



CONSOLE ASSEMBLY

ITEM	PART NO.	QTY.	DESCRIPTION
1	539 101768	1	SWITCH
2	539 105408	4	WASHER, #10
3	539 107541	1	IGNITION SWITCH
4	539 109838	1	DECAL, THROTTLE
5	539 109858	1	CONSOLE PLATE
6	539 110074	1	HOUR METER
7	539 112438	1	THROTTLE CABLE
8	539 112439	1	CHOKE CABLE
9	539 112761	1	CONSOLE
10	539 976977	2	NUT, #10-24, NYLOC
11	539 990411	6	SCREW, #10-24 X 1/2

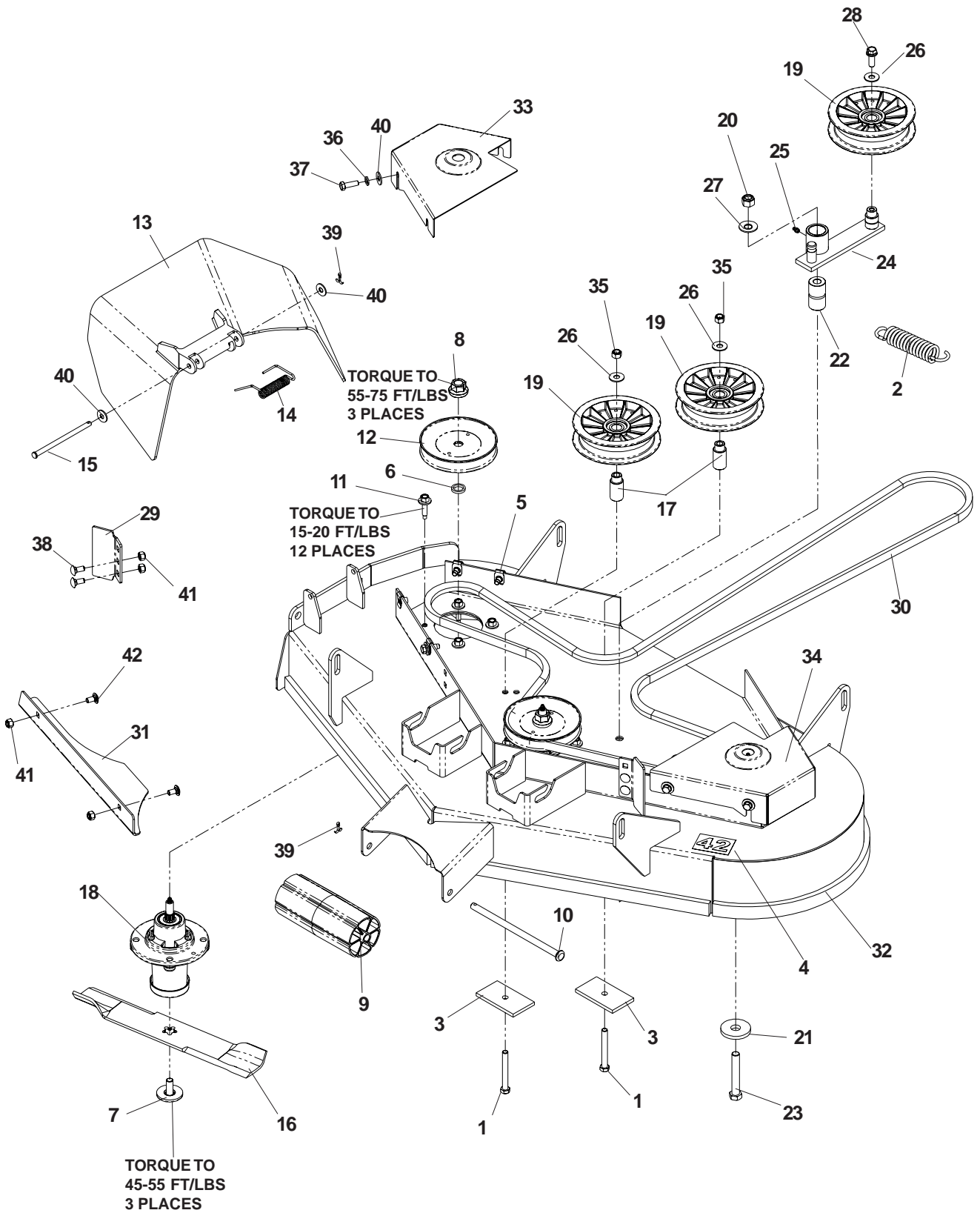
KAWASAKI ENGINE ASSEMBLY



KAWASAKI ENGINE ASSEMBLY

ITEM	PART NO.	QTY.	DESCRIPTION
1	539 101714	1	SOLENOID
2	539 102685	1	CLIP
3	539 102759	3	INSULATOR, BATTERY
4	539 109587	1	OIL DRAIN EXTENSION
5	539 109618	1	O-RING
6	539 109800	2	RHSNB, 1/4-20 X 1, GR5
7	539 110064	1	CLUTCH WASHER
8	539 110423	1	PULLEY
9	539 110424	1	FUEL LINE, 24"
10	539 110425	1	FUEL LINE, 5"
11	539 111786	2	RHSSNB, 1/4-20 X 5/8, GR5
12	539 112233	1	CLUTCH
13	539 112249	1	CLUTCH TIE DOWN
14	539 912222	4	CLAMP - HOSE
15	539 976935	4	HCS, 5/16-18 X 1 1/2, GR5
16	539 976978	7	NUT, 1/4-20, NYLOC
17	539 990053	2	WASHER, 1/4
18	539 990247	1	WASHER, 7/16
19	539 990717	4	NUT, 5/16-18, NYLOC
20	539 991120	1	HCS, 7/16-20 X 2 1/2, GR5
	539 103306	2	CABLE-POSITIVE, LONG (NOT SHOWN)
	539 104415	1	PIGTAIL - KAWASAKI

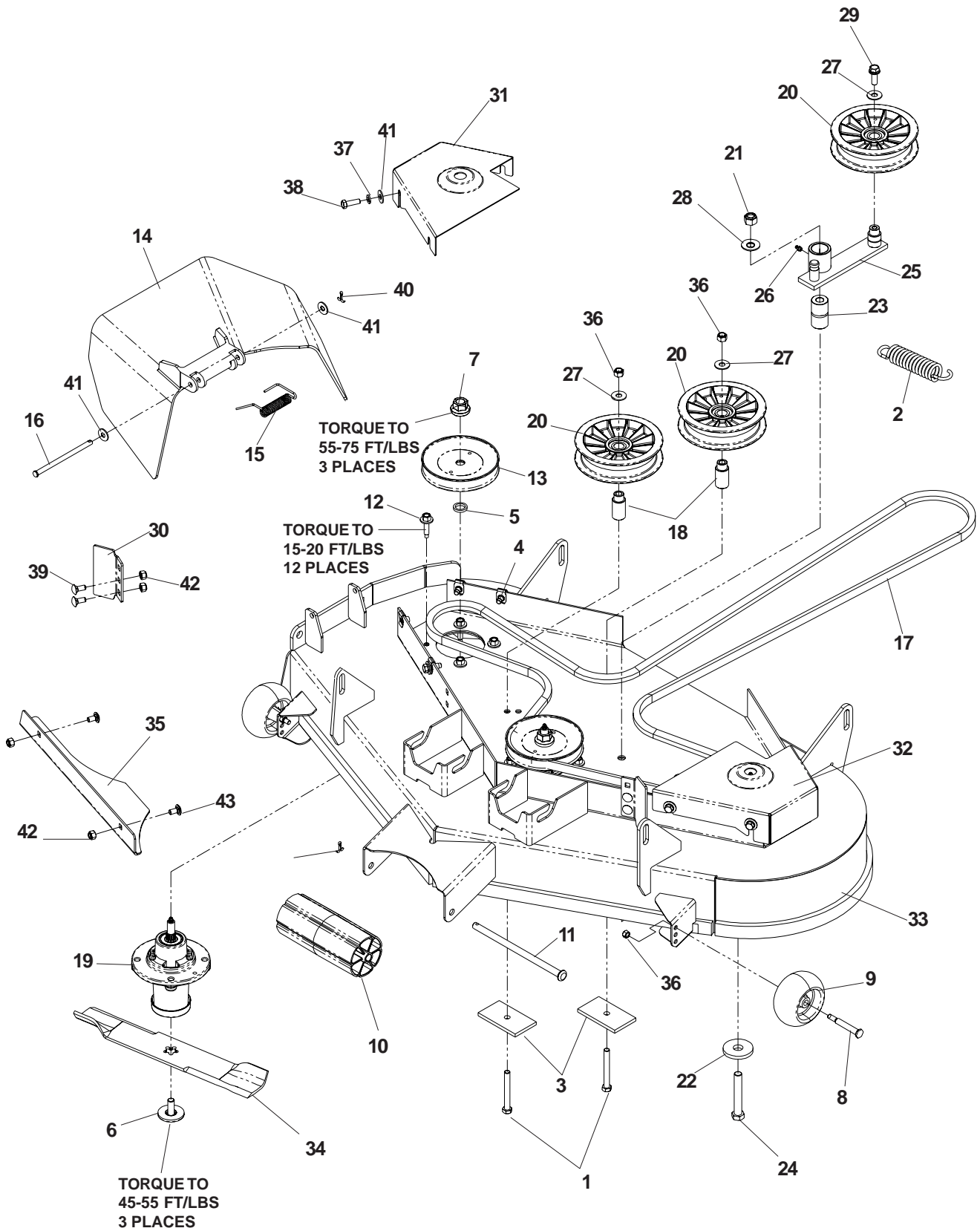
42" DECK ASSEMBLY



42" DECK ASSEMBLY

ITEM	PART NO.	QTY.	DESCRIPTION
1	539 101341	2	HCS, 3/8-16 X 3, GR5
2	539 103256	1	SPRING-EXTENSION
3	539 103303	2	PAD
4	539 103491	1	DECAL, 42
5	539 104763	8	NUT, 5/16-18, RETAINER-U TYPE
6	539 107520	3	WASHER, .675, SPACER
7	532 174365	3	BOLT, 7/16, SPEC
8	539 107590	3	NUT, 9/16, CENTERLOCK, GR5
9	532 176066	1	ROLLER, NOSE
10	539 107613	1	ROD, ROLLER, NOSE, NARROW
11	539 107630	12	SCREW, 5/16-18 X 1 3/8, WASH HD, SPEC
12	539 110315	3	PULLEY
13	539 110731	1	DISCHARGE CHUTE
14	539 110735	1	SPRING - TORSION
15	539 110736	1	PIN - CLEVIS, 5/16 DIA X 5.19
16	539 112078	3	BLADE
17	539 112169	2	IDLER BUSHING
18	539 112170	3	HOUSING
19	539 112196	3	IDLER PULLEY, NYLON
20	539 101331	1	NUT, 1/2-13, NYLOC
21	539 102243	1	WASHER, .65
22	539 103427	1	BUSHING, PIVOT
23	539 103433	1	HCS, 1/2-13 X 3 1/4, GR5
24	539 112198	1	IDLER ARM
25	539 976998	1	ZERK, STRAIGHT, 1/4-28
26	539 990517	3	WASHER, 3/8
27	539 990550	1	WASHER, 9/16
28	539 990582	1	HCS, 3/8-16 X 1, GR5
29	539 112248	2	DECK STOP
30	539 112334	1	BELT
31	539 112413	1	CONFINEMENT PLATE
32	539 112796	1	DECK W/DECALS
33	539 112765	1	BELT SHIELD, RIGHT
34	539 112766	1	BELT SHIELD, LEFT
35	539 976979	2	NUT, 3/8-16, NYLOC
36	539 990187	8	LOCKWASHER, 5/16
37	539 990209	8	HCS, 5/16-18 X 1, GR5
38	539 990316	4	RHSNB, 5/16-18 X 3/4, GR5
39	539 990365	2	PIN COTTER, 1/8 X 3/4
40	539 990692	10	WASHER, 5/16
41	539 990717	6	NUT, 5/16-18, NYLOC
42	539 990799	2	RHSNB, 5/16-18 X 5/8, GR5

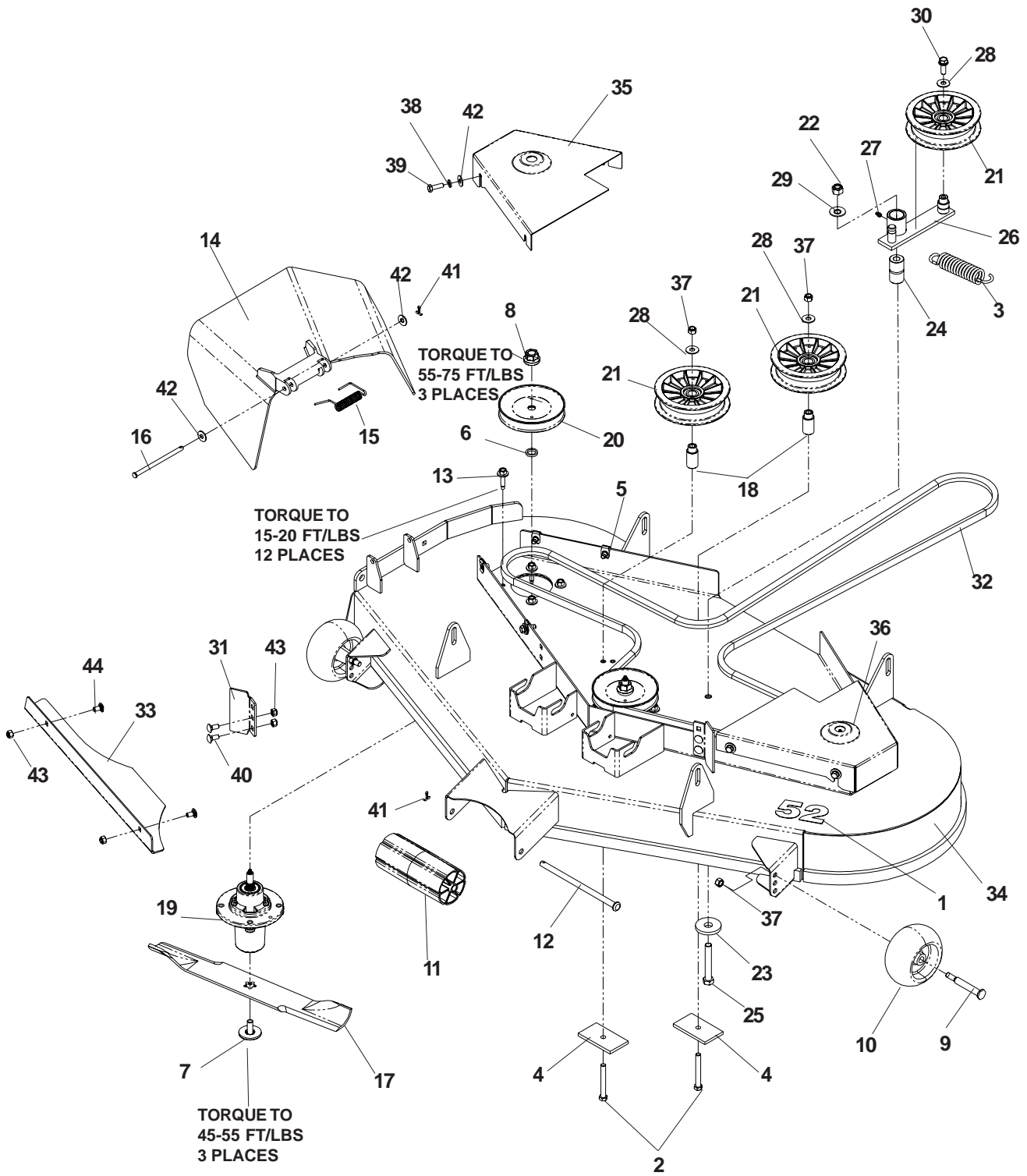
48" DECK ASSEMBLY



48" DECK ASSEMBLY

ITEM	PART NO.	QTY.	DESCRIPTION
1	539 101341	2	HCS, 3/8-16 X 3, GR5
2	539 103256	1	SPRING-EXTENSION
3	539 103303	2	PAD
4	539 104763	8	NUT, 5/16-18, RETAINER-U TYPE
5	539 107520	3	WASHER, .675, SPACER
6	532 174365	3	BOLT, 7/16, SPEC
7	539 107590	3	NUT, 9/16, CENTERLOCK, GR5
8	532 137644	2	SB, 1/2 X2 5/8, SPEC
9	532 133957	2	WHEEL, GAUGE
10	532 176066	1	ROLLER, NOSE
11	539 107613	1	ROD, ROLLER, NOSE, NARROW
12	539 107630	12	SCREW, 5/16-18 X 1 3/8, WASH HD, SPEC
13	539 110315	3	PULLEY
14	539 110732	1	DISCHARGE CHUTE
15	539 110735	1	SPRING - TORSION
16	539 110736	1	PIN - CLEVIS, 5/16 DIA X 5.19
17	539 110832	1	BELT
18	539 112169	2	IDLER BUSHING
19	539 112170	3	HOUSING
20	539 112196	3	IDLER PULLEY, NYLON
21	539 101331	1	NUT, 1/2-13, NYLOC
22	539 102243	1	WASHER, .65
23	539 103427	1	BUSHING, PIVOT
24	539 103433	1	HCS, 1/2-13 X 3 1/4, GR5
25	539 112198	1	IDLER ARM
26	539 976998	1	ZERK, STRAIGHT, 1/4-28
27	539 990517	3	WASHER, 3/8
28	539 990550	1	WASHER, 9/16
29	539 990582	1	HCS, 3/8-16 X 1, GR5
30	539 112248	2	DECK STOP
31	539 114053	1	BELT SHIELD W/DECALS, RIGHT
32	539 114054	1	BELT SHIELD W/DECALS, LEFT
33	539 114048	1	DECK W/DECALS
34	539 113425	3	BLADE, 16 1/4"
35	539 113427	1	CONFINEMENT PLATE
36	539 976979	4	NUT, 3/8-16, NYLOC
37	539 990187	8	LOCKWASHER, 5/16
38	539 990209	8	HCS, 5/16-18 X 1, GR5
39	539 990316	4	RHSNB, 5/16-18 X 3/4, GR5
40	539 990365	2	PIN COTTER, 1/8 X 3/4
41	539 990692	10	WASHER, 5/16
42	539 990717	6	NUT, 5/16-18, NYLOC
43	539 990799	2	RHSNB, 5/16-18 X 5/8, GR5

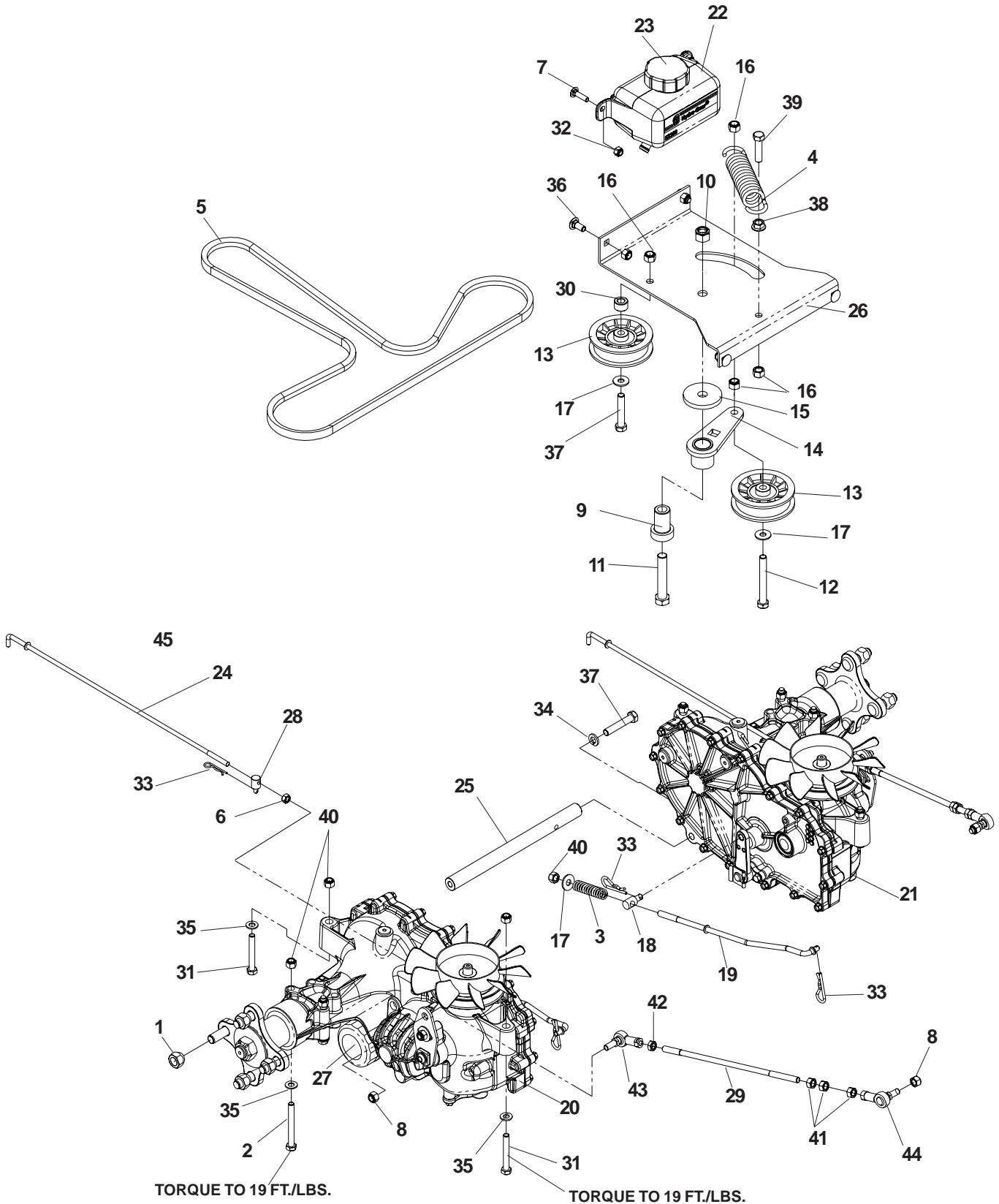
52" DECK ASSEMBLY



52" DECK ASSEMBLY

ITEM	PART NO.	QTY.	DESCRIPTION
1	539 101099	1	DECAL
2	539 101341	2	HCS, 3/8-16 X 3, GR5
3	539 103256	1	SPRING-EXTENSION
4	539 103303	2	PAD
5	539 104763	8	NUT, 5/16-18, RETAINER-U TYPE
6	539 107520	3	WASHER, .675, SPACER
7	532 174365	3	BOLT, 7/16, SPEC
8	539 107590	3	NUT, 9/16, CENTERLOCK, GR5
9	532 137644	2	SB, 1/2 X2 5/8, SPEC
10	532 133957	2	WHEEL, GAUGE
11	532 176066	1	ROLLER, NOSE
12	539 107613	1	ROD, ROLLER, NOSE, NARROW
13	539 107630	12	SCREW, 5/16-18 X 1 3/8, WASH HD, SPEC
14	539 110733	1	DISCHARGE CHUTE
15	539 110735	1	SPRING - TORSION
16	539 110736	1	PIN - CLEVIS, 5/16 DIA X 5.19
17	539 112079	3	BLADE, 18"
18	539 112169	2	IDLER BUSHING
19	539 112170	3	HOUSING
20	539 112171	3	PULLEY
21	539 112196	3	IDLER PULLEY, NYLON
22	539 101331	1	NUT, 1/2-13, NYLOC
23	539 102243	1	WASHER, .65
24	539 103427	1	BUSHING, PIVOT
25	539 103433	1	HCS, 1/2-13 X 3 1/4, GR5
26	539 112198	1	IDLER ARM
27	539 976998	1	ZERK, STRAIGHT, 1/4-28
28	539 990517	3	WASHER, 3/8
29	539 990550	1	WASHER, 9/16
30	539 990582	1	HCS, 3/8-16 X 1, GR5
31	539 112248	2	DECK STOP
32	539 112335	1	BELT
33	539 112417	1	CONFINEMENT PLATE
34	539 112797	1	DECK W/DECALS
35	539 112767	1	BELT SHIELD, RIGHT
36	539 112768	1	BELT SHIELD, LEFT
37	539 976979	4	NUT, 3/8-16, NYLOC
38	539 990187	8	LOCKWASHER, 5/16
39	539 990209	8	HCS, 5/16-18 X 1, GR5
40	539 990316	4	RHSNB, 5/16-18 X 3/4, GR5
41	539 990365	2	PIN COTTER, 1/8 X 3/4
42	539 990692	10	WASHER, 5/16
43	539 990717	6	NUT, 5/16-18, NYLOC
44	539 990799	2	RHSNB, 5/16-18 X 5/8, GR5

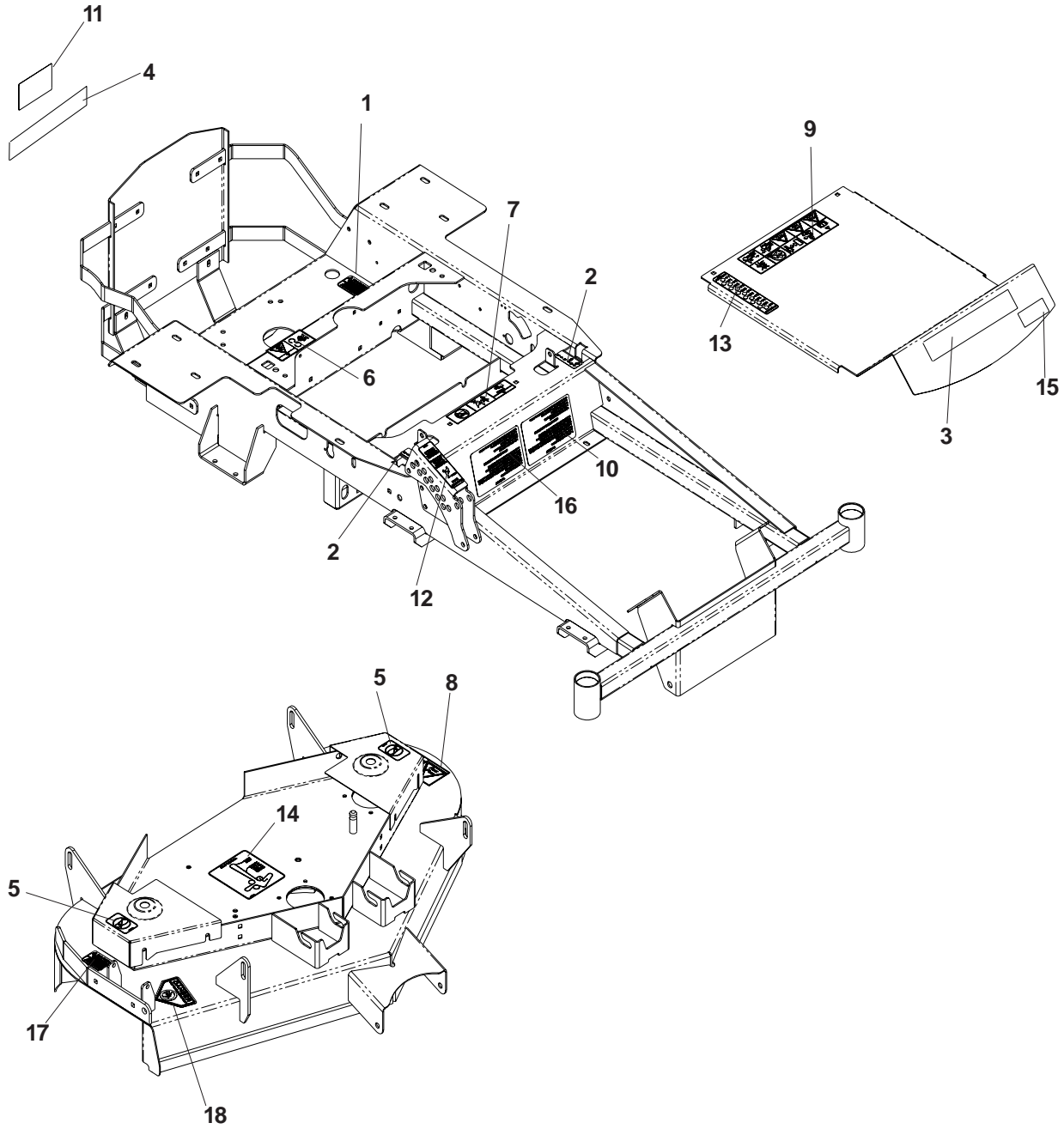
HYDRAULIC ASSEMBLY



HYDRAULIC ASSEMBLY

ITEM	PART NO.	QTY.	DESCRIPTION
1	539 101173	8	NUT, 1/2-20, LUG
2	539 101721	4	HCS, 5/16-18 X 2 3/4, GR5
3	539 102796	2	SPRING
4	539 103256	1	SPRING, EXTENSION
5	539 104334	1	BELT
6	539 108739	2	NUT, 1/2-28
7	539 109800	2	RHSNB, 1/4-20 X 1, GR5
8	539 110943	4	NUT, 5/16F, NYLOC
9	539 101231	1	SPINDLE, IDLER
10	539 101331	1	NUT, 1/2-13, NYLOC
11	539 101332	1	HCS, 1/2-13 X 2 3/4, GR5
12	539 101350	1	HCS, 3/8-16 X 3, GR5, TAPBOLT
13	539 110311	2	PULLEY, IDLER
14	539 112092	1	IDLER ARM
15	539 112670	1	HEAVY WASHER
16	539 976979	4	NUT, 3/8-16, NYLOC
17	539 990692	4	WASHER, 5/16
18	539 112308	2	BRAKE SWIVEL
19	539 112309	2	BRAKE LINKAGE
20	539 112316	1	ZT 2800, RIGHT
21	539 112317	1	ZT 2800, LEFT
22	539 112318	1	EXPANSION TANK W/CAP
23	539 112449	1	CAP, TANK
24	539 112319	2	BYPASS LINKAGE
25	539 112342	1	CROSS SUPPORT
26	539 112407	1	IDLER PULLEY PLATE
27	539 113466	2	OIL FILTER
28	539 112949	2	SWIVEL, 1/4-28
29	539 112099	2	LINKAGE, DRIVE
30	539 923515	1	SPACER
31	539 976938	4	HCS, 5/16-18 X 2 1/4, GR5
32	539 976978	2	NUT, 1/4-20, NYLOC
33	539 976988	6	PIN HAIR, .073 X 1 7/16
34	539 990118	2	WASHER, 3/8
35	539 990188	12	WASHER, 5/16, SAE
36	539 990316	4	RHSNB, 5/16-18 X 3/4, GR5
37	539 990588	3	HCS, 3/8-16 X 2, GR5
38	539 990613	1	NUT, 3/8-16, WHIZLK
39	539 990655	1	HCS, 3/8-16 X 1 1/2, GR5
40	539 990717	14	NUT, 5/16-18, NYLOC
41	539 990223	3	NUT, 5/16-24
42	539 991073	1	NUT, 5/16-24, LH
43	539 110604	1	SPHERICAL ROD END, LH
44	539 110603	1	SPHERICAL ROD END, RH
	539 112669	1	HOSE KIT (NOT SHOWN)

DECAL ASSEMBLY

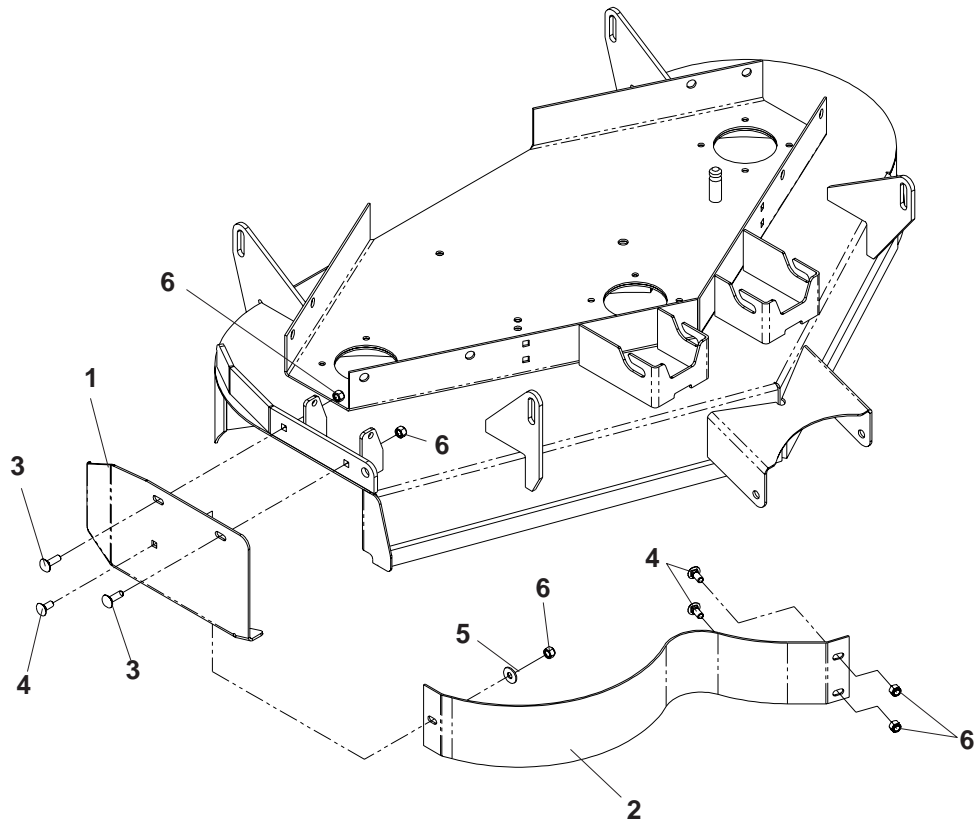


DECAL ASSEMBLY

ITEM	PART NO.	QTY.	DESCRIPTION
1	539 101881	1	DECAL, PROP 65
2	539 103333	2	DECAL, MOTION CONTROL
3	539 103420	1	DECAL
4	539 103421	1	DECAL
5	539 105743	2	DECAL, EURO NO STOP
6	539 105744	1	DECAL, EURO DANGER BELT
7	539 105745	1	DECAL, EURO BATTERY WARNING
8	539 105746	1	DECAL, DURO SEVERING
9	539 107959	1	DECAL, WARNING
10	539 108179	1	DECAL, START
11	539 108385	1	DECAL, DO NOT TOW
12	539 112657	1	DECAL, TRASPORT RELEASE
13	539 112785	1	DECAL, HEIGHT ADJUST
14	539 112924	1	DECAL, BELT ROUTING
15	539 113202	1	DECAL, ESTEEM
16	539 113213	1	DECAL, WARNING
17	539 113224	1	DECAL, CAUTION
18	539 913010	1	DECAL, WARNING

ACCESSORY

42" MULCH KIT 539 11 24 14

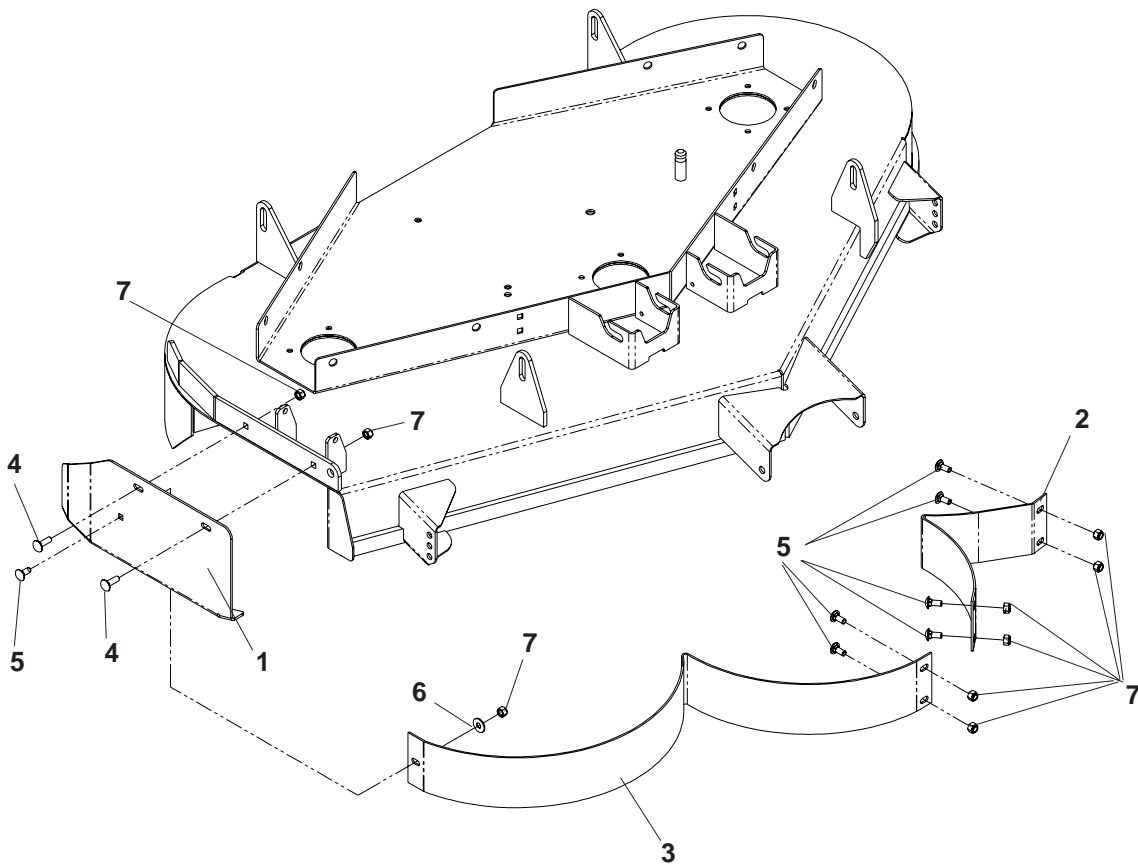


ITEM	PART NO.	QTY.	DESCRIPTION
------	----------	------	-------------

1	539 112346	1	MULCH CAP
2	539 112419	1	MULCH BAFFLE
3	539 990208	2	RHSNB, 5/16-18 X 1, GR5
4	539 990316	3	RHSNB, 5/16-18 X 3/4, GR5
5	539 990692	1	WASHER, 5/16
6	539 990717	5	NUT, 5/16-18, NYLOC

ACCESSORY

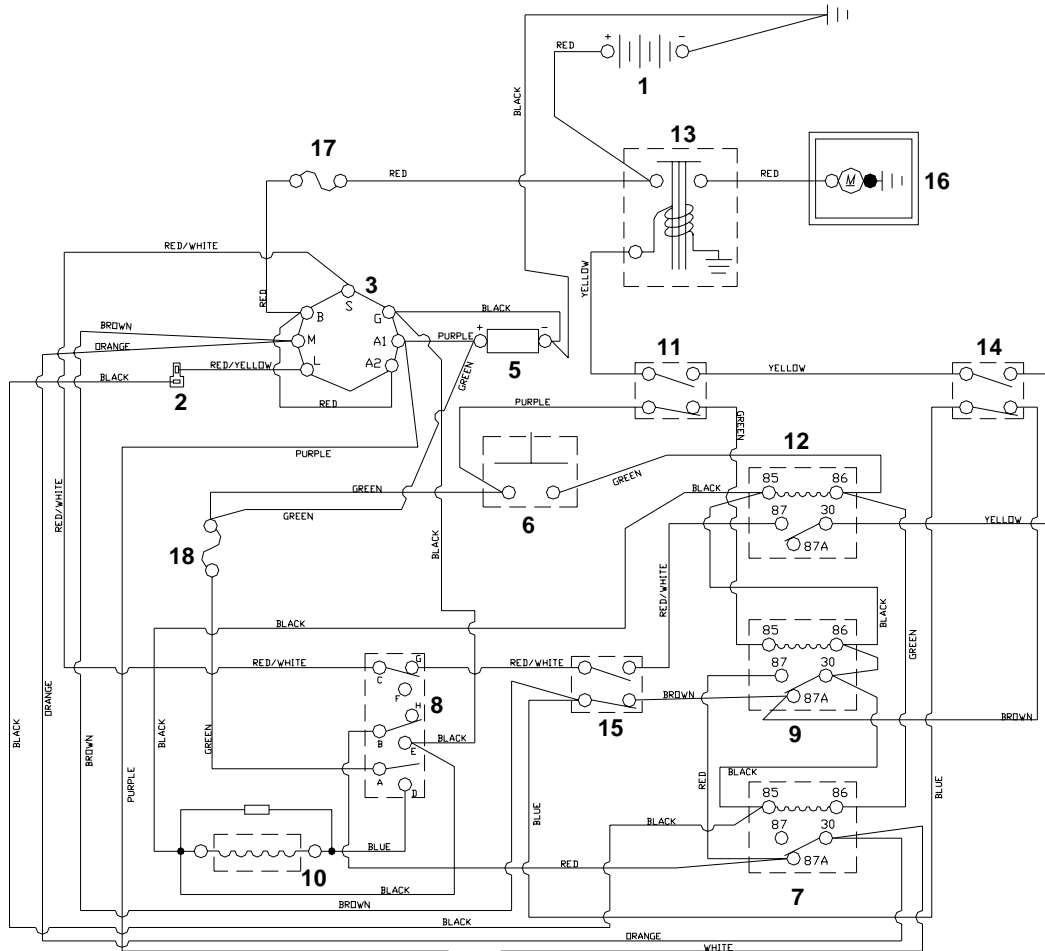
52" MULCH KIT 539 11 24 15



ITEM	PART NO.	QTY.	DESCRIPTION
1	539 112344	1	MULCH CAP
2	539 112421	1	MULCH BAFFLE, LEFT
3	539 112435	1	MULCH BAFFLE, RIGHT
4	539 990208	2	RHSNB, 5/16-18 X 1, GR5
5	539 990316	7	RHSNB, 5/16-18 X 3/4, GR5
6	539 990692	1	WASHER, 5/16
7	539 990717	9	NUT, 5/16-18, NYLOC

WIRING DIAGRAM

- 6. Seat unoccupied
- 11. Brake switch OFF pos.
- 8. Blade switch in OFF position
- 14-15. Motion control levers OUT

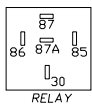


- 1. Battery
- 2. Accessory outlet
- 3. Key switch
- 4. To engine pigtail
- 5. Hour meter
- 6. Seat switch
- 7. Run relay
- 8. Blade switch
- 9. Brake relay
- 10. Electric clutch
- 11. Brake switch
- 12. Start relay
- 13. Starter solenoid
- 14. Left motion control lever
- 15. Right motion control lever
- 16. Starter
- 17. 20 AMP fuse
- 18. 7.5 fuse
- 19. Diode
- 20. Voltage regulator
- 21. Fuel shut-off solenoid
- 22. Ignition

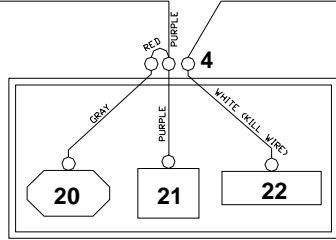
POSITION	CIRCUIT
OFF	C + G, B + H
ON	C + F, B + E, A + D



PTO



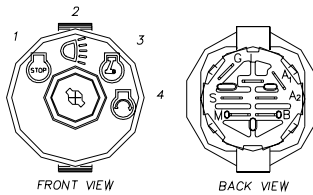
RELAY



ENGINE PIGTAIL
(REFER TO ENGINE MANUAL FOR MORE DETAIL)

NON-REMOVABLE CONNECTIONS

REMOVABLE CONNECTIONS



IGNITION SWITCH

POSITION	FUNCTION	CONTACT 1	CONTACT 2
POSITION	FUNCTION	CONTACT	NONE
POSITION	FUNCTION	CONTACT	L + A ₂
POSITION	FUNCTION	CONTACT	NONE
POSITION	FUNCTION	CONTACT	NONE

YAZOO/KEES