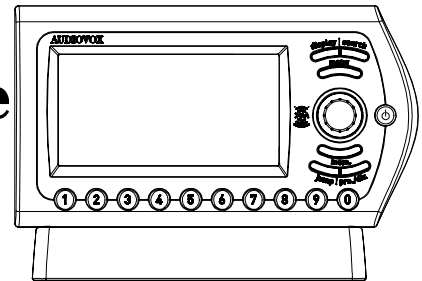




# Xpress<sup>®</sup> Satellite Radio Receiver

## XMH10 Home Cradle Installation Guide



Released 9-15-05.

128-7476

1 of 12

# CONTENTS

Congratulations .....	3
Cautions and Warnings .....	4
Contents XMH10 .....	5
Installation/Wiring Precautions .....	5
Setting Up and Installing Your Kit .....	5
Cabling Connections .....	6
Installing/Positioning the Antenna .....	6
Interconnect Diagram .....	6
Installing the Xpress In the Cradle .....	7
Aiming Your XM Home Antenna .....	8
Warranty .....	11

## ***Congratulations***

Thank you for purchasing the Audiovox Xpress XM<sup>®</sup> Satellite Home Kit. You are one step closer to experiencing the latest innovation in XM<sup>®</sup> Satellite Radio. XM<sup>®</sup> Satellite Radio will revolutionize your vehicle or in-home entertainment.

XM<sup>®</sup> features over 150 digital channels — 100% commercial-free music, over 30 channels of news, sports, talk and entertainment, over 20 dedicated channels of XM<sup>®</sup> Instant Traffic & Weather, and the deepest play-list in the industry with access to over 2 million titles!

XM<sup>®</sup> Satellite Radio service gives you the power to choose what you want to hear - wherever and whenever you want it. XM<sup>®</sup> is America's #1 Satellite Radio provider with over 4 million customers.

Your Audiovox Xpress XM<sup>®</sup> receiver must be used with an accessory kit, such as the Audiovox Home Kit, Boom Box or Vehicle Kit as required by your specific installation needs. These kits are available at retailers where Audiovox main units are sold.

Required subscription for service sold separately.

Installation costs and other fees and taxes may apply, including a one-time activation fee. All fees and programming subject to change. College sports games subject to availability. Subscriptions subject to Customer Agreement included with the XM Welcome Kit and available at [www.xmradio.com](http://www.xmradio.com). Only available in the 48 contiguous United States.

© 2005 XM<sup>®</sup> Satellite Radio Inc. XM<sup>®</sup> is a trademark of XM<sup>®</sup> Satellite Radio. All rights reserved. All other trademarks are the property of their respective owners.

### ***Cautions and Warnings***

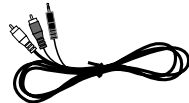
1. Do not install the Home Cradle in a position that obstructs viewing of any home entertainment component, such as a Television, or stereo system indicators and displays.
2. This unit complies with the interference limits relative to a Class B digital device, applicable under Part 15 of the FCC Rules regarding installation in a residential environment. If the unit is not installed in accordance with these instructions, it could cause harmful interference to radio or television reception. If this condition persists after corrective action, consult your dealer or experienced installation facility.
3. By adhering to these warnings and safety considerations, serious accidents and/or personal injury can be avoided.

## Contents XMH10

Install Manual  
(P/N 1287476)

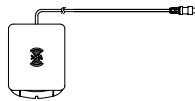


Audio Cable  
(P/N 112-2784)



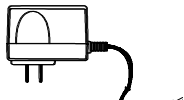
1 pc.

Antenna  
(P/N 118-1163)



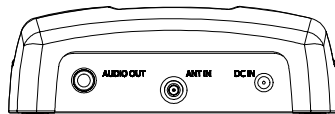
1 pc.

DC Power Adapter  
(P/N 112-3592)



1 pc.

Cradle XMH10  
(P/N 136-4060)



1 pc.

## Installation/Wiring Precautions

1. Make sure the adapter cable is not connected to an AC wall outlet until all interconnections have been made and verified. The adapter power cable should be connected last.
2. Do not install the unit in the locations exposed to direct sunlight or in areas subject to extreme temperatures.
3. Incorrect installation may cause damage to the system.
4. During antenna placement/installation, refer to the Antenna Aiming procedure outlined in the Xpress User Guide (128-7454).

## Setting Up and Installing Your Kit

**NOTE:** The XM signal can be received and processed virtually anywhere as long as there are no obvious satellite signal obstructions such as high terrain, trees, overhangs, etc.

### 1. *Cabling Interconnections*

You can begin to enjoy XM Satellite Radio as soon as the Xpress Receiver and home Kit installation are complete. Set up your Xpress home kit using the following installation instructions, or enlist the help of a professional installer.

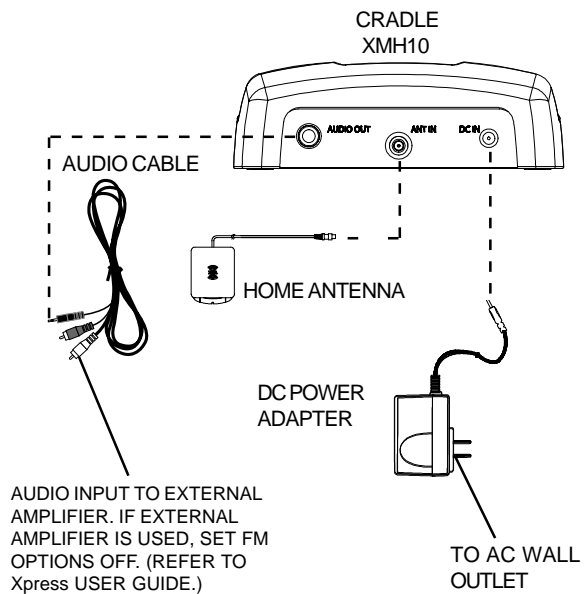
### 2. *Installing/Positioning the Antenna*

For best reception, the supplied antenna should be placed near a window; some repositioning may be required to achieve optimum results. The following guidelines are recommended:

- a. In a major city, where XM ground repeaters are present, you can usually place the antenna away from a window and still achieve the desired results.
- b. You can also place the antenna outside (on the roof structure), provided it is clear of any overhead obstructions.

**NOTE:** Because of the orbiting characteristics of the XM Satellites, the strength of the received signal may change over time. In most cases however, the signal should be available.

## *Interconnect Diagram*



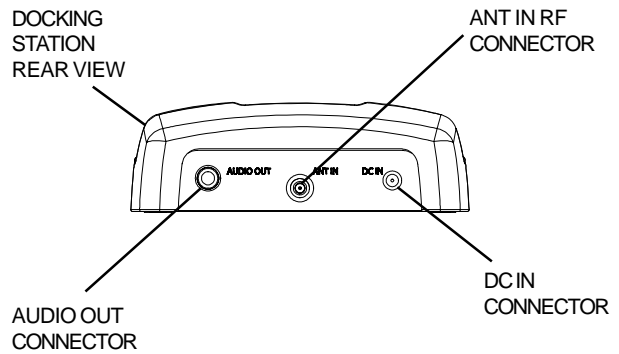
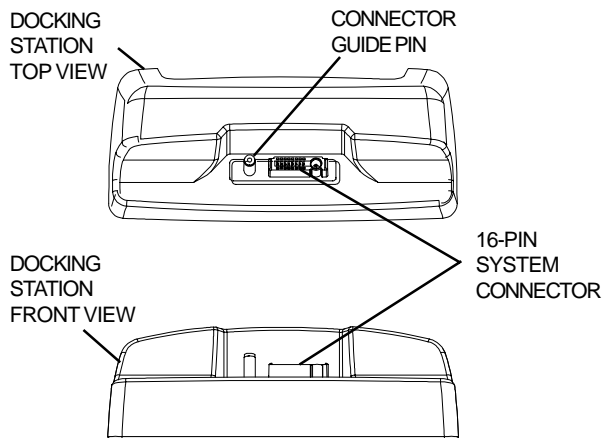
continuously. If you experience a loss of signal or audio, reposition the antenna inside the home or outside as necessary.

### 3. *Installing the Xpress In the Cradle*

Install the Xpress Receiver in the docking station as follows:

a. After making sure the connectors and guide pin are properly lined up, gently lower the Xpress Receiver into the cradle and gently press down on the Xpress Receiver to mate the connectors together.

b. The Xpress Receiver should now be nestled securely in the docking station.



#### 4. Aiming your XM Home Antenna

If the Xpress display says "NO SIGNAL," the antenna needs to be repositioned. In addition, even if you are receiving the XM signal, it is recommended that you optimize the position of your XM Antenna as described in this section enabling you to receive the strongest possible signal and consistent, mute-free reception. Your Xpress display has two different signal-strength indicators which will help you optimize the antenna's position: The first is a basic signal strength indicator visible at the upper right corner of the display screen during normal listening. It has from zero to four vertical bars; four bars represent the strongest signal. The other is a higher-resolution signal-strength indicator screen which allows you to optimally aim your XM Antenna. This screen shows Terrestrial and Satellite indications in a horizontal bar graph presentation, with a minus (-) sign on the left and a plus (+) sign on the right.



To access and use this screen, refer to the Xpress Satellite Radio Receiver User Guide (128-7454). Adjust the antenna location until the maximum number of "Satellite" bars is displayed. The Xpress will receive programming as long as either the satellite or terrestrial signal has at least two bars displayed. Selecting a position with the maximum number of "Satellite" bars displayed will ensure a consistently strong signal.

##### a. Positioning the XM Antenna

The antenna supplied with the Xpress Home Kit is a high-gain type that can receive XM's signal from one of XM's satellites and/or, depending on where you live, XM's terrestrial repeaters. It is recommended that the antenna be positioned near a south-facing window or outdoors with a clear view of the southeastern sky in order to receive the satellite signal. In some cases, it will be possible to receive XM's signal through standard home walls or a roof. To position your antenna, first set up the home system as described earlier in this installation guide. Next, position the antenna until you receive the



strongest possible satellite signal. If the satellite signal is not available, you can optimize it for a terrestrial signal (where available).

**b. Indoor installation on a flat surface**

To aim your antenna at the satellite:

1. Set antenna flat against its base on a flat (horizontal) surface.
2. Turn the base of the antenna so that the XM logo is facing to the south if you are in the eastern half of the U.S. and to the south/southeast if you are in the western half.
3. Use the "Antenna Aiming" screen, as described on the previous page, to optimize antenna tilt angle and position.
4. If necessary, experiment with different locations near a south-facing window or outside.


**c. Outdoor installation or indoor wall mounting**

The antenna can also be attached vertically to an external or internal wall if that is more convenient than placing it on a horizontal surface.

1. Holding your antenna up, find a wall location that ensures a strong signal. It is recommended that you use an extension cord to temporarily locate your Xpress antenna outdoors while optimizing the antenna location with the **Antenna Aiming** screen.
2. Attach four screws to the wall using the template provided. Use screws with head sizes small enough to fit in the center of each of the four holes but large enough not to pop out of the elongated sections. Leave 1/8 inch of the screw shanks behind the heads sticking out of the wall.
3. Tilt the antenna fully back on the base, place the antenna base on the four screw heads with the antenna pivot at the top, and pull down approximately 1/4 inch until the base is firmly secured. Note that the XM logo will be upside down when the antenna is properly installed.
4. Tilt the antenna away from the wall/base until the signal strength is optimized.

**NOTE:** Do not cut the antenna cable and attempt to splice it or attach alternative connectors or cable. The cable and connectors used in your XMH10 Home Kit are specially chosen and attached at the factory to ensure that they will work with XM's unique frequency band. If an antenna extension is required, use the Terk by Audiovox XM-EXT50. This is an XM approved 50 foot amplified extension cable available at your local consumer electronics retailer. Failure to do so could damage the unit.

- d. Apply power to the Xpress Receiver as outlined in the associated User Guide and obtain an audio output. If no audio is heard, move the antenna to different positions on the surface until an audio output is heard. This is the desired antenna position and should be marked with masking tape or by another non-scratch method.
- e. After determining the optimum position, turn off Xpress power, disconnect the power adapter from the wall outlet receptacle and disconnect the antenna cable.

- f. Plan the routing of the antenna cable to the cradle. Make sure you avoid any obstructions that could crimp, kink or twist the cable; use protective grommets wherever rough openings are encountered.
- g. If the antenna is mounted outside, route the cable from the antenna position to the interior of the home, working the cable through the basement, under a window sill, etc.; make adjustments and take up slack whenever necessary.
- h. Plug the antenna cable into the **ANT IN** connector on the back of the cradle.
- i. Plug the DC Adapter jack into the **DC IN** receptacle on the cradle.
- j. Plug the other end of the AC/DC wall adapter into 110-volt wall receptacle; then press the Xpress Receiver Power button (  ) to energize the unit. You are now ready to enjoy XM programming within your home.

**NOTE:** When using the rear audio output with an external amplifier, the Xpress FM transmitter option should be set to **Off**. (Refer to the Xpress User Guide, 128-7454.)



**AUDIOVOX**

## 12 MONTH LIMITED WARRANTY

AUDIOVOX ELECTRONICS CORPORATION (the Company) warrants to the original retail purchaser of this product that should this product or any part thereof, under normal use and conditions, be proven defective in material or workmanship within 12 months from the date of original purchase, such defect(s) will be repaired or replaced with new or reconditioned product (at the Company's option) without charge for parts and repair labor.

To obtain repair or replacement within the terms of this Warranty, the product is to be delivered with proof of warranty coverage (e.g. dated bill of sale), specification of defect(s), transportation prepaid, to an approved warranty station or the Company at the address shown below.

This Warranty does not extend to the elimination of externally generated static or noise, to costs incurred for installation, removal or reinstallation of the product, damage to speakers, accessories, or vehicle and home electrical systems, malfunction of satellite transmissions, repeater signal or receiver unit.

This Warranty does not apply to any product or part thereof which, in the opinion of the Company, has suffered or been damaged through alteration, improper installation, mishandling, misuse, neglect, accident, or by removal or defacement of the factory serial number/bar code label(s). THE EXTENT OF THE COMPANY'S LIABILITY UNDER THIS WARRANTY IS LIMITED TO THE REPAIR OR REPLACEMENT PROVIDED ABOVE AND, IN NO EVENT, SHALL THE COMPANY'S LIABILITY EXCEED THE PURCHASE PRICE PAID BY PURCHASER FOR THE PRODUCT.

This Warranty is in lieu of all other express warranties or liabilities. ANY IMPLIED WARRANTIES, INCLUDING ANY IMPLIED WARRANTY OF MERCHANTABILITY, SHALL BE LIMITED TO THE DURATION OF THIS WRITTEN WARRANTY. ANY ACTION FOR BREACH OF ANY WARRANTY HEREUNDER INCLUDING ANY IMPLIED WARRANTY OF MERCHANTABILITY MUST BE BROUGHT WITHIN A PERIOD OF 48 MONTHS FROM DATE OF ORIGINAL PURCHASE. IN NO CASE SHALL THE COMPANY BE LIABLE FOR ANY CONSEQUENTIAL OR INCIDENTAL DAMAGES FOR BREACH OF THIS OR ANY OTHER WARRANTY, EXPRESS OR IMPLIED, WHATSOEVER. No person or representative is authorized to assume for the Company any liability other than expressed herein in connection with the sale of this product.

Some states do not allow limitations on how long an implied warranty lasts or the exclusion or limitation of incidental or consequential damage so the above limitations or exclusions may not apply to you. This Warranty gives you specific legal rights and you may also have other rights which vary from state to state.

**U.S.A. :** AUDIOVOX ELECTRONICS CORPORATION, 150 MARCUS BLVD., HAUPPAUGE, NEW YORK 11788 (1-800-645-4994)

**CANADA :** CALL 1-800-645-4994 FOR LOCATION OF WARRANTY STATION SERVING YOUR AREA

128-7351

---

---

© 2005 Audiovox Electronics Corporation, 150 Marcus Blvd., Hauppauge, New York 11788

128-7476