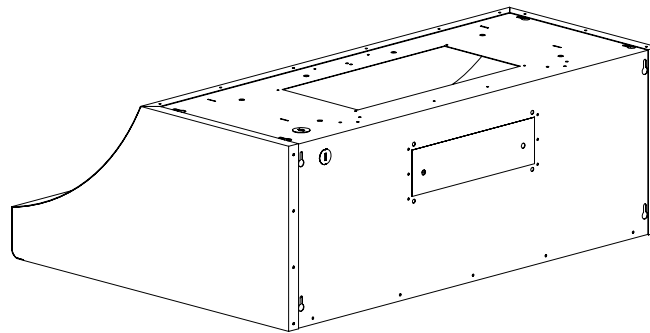
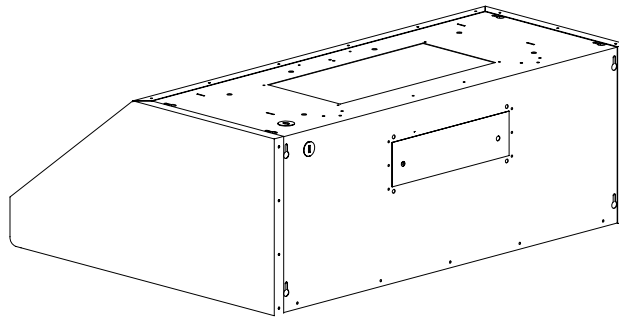


Use, Care, and Installation Guide

WCB/WSB Series

- WCB302S
- WCB362S
- WSB302S
- WSB362S



Model number: _____
Serial Number: _____
Date of Purchase: _____
Sales Dealer: _____

SAFETY NOTICE 2-3

LIST OF MATERIALS 4

INSTALLATION

 Ducting Calculation Sheet 5

 Mounting Height & Clearance 6

 Ducting Options 7

 Hood Specifications 8

 Mounting the Range Hood 9-10

 Horizontal Conversion 11-12

ACCESSORY INSTALLATION

 Dual Blower Duct Specifications 13

 VEN110I Dual Blower 14-15

 Heat Lamp Kit 16

FEATURES & CONTROLS

 Mechanical Slide Switch 17

MAINTENANCE

 Cleaning 18

 Lights 19

 Optional Accessories 20

TROUBLESHOOTING 21

Important Safety Notice

WARNING

TO REDUCE THE RISK OF FIRE OR ELECTRIC SHOCK, DO NOT USE THIS FAN WITH ANY SOLID-STATE CONTROL DEVICE.

WARNING

TO REDUCE THE RISK OF FIRE ELECTRIC SHOCK, OR INJURY TO PERSONS, OBSERVE THE FOLLOWING:

- a. Use this unit only in the manner intended by the manufacturer, if you have questions, contact the manufacturer.
- b. Before servicing or cleaning unit, switch power off at service panel and lock panel to prevent power from being switched on accidentally. When the service disconnecting means cannot be locked, securely fasten a prominent warning device, such as a tag, to the service panel.

CAUTION

For general ventilating use only. Do not use to exhaust hazardous or explosive materials and vapors. Take care when using cleaning agents or detergents. Suitable for use in household cooking area.

WARNING

TO REDUCE THE RISK OF RANGE TOP GREASE FIRE:

- a. Never leave surface units unattended at high settings. Boilovers cause smoking and greasy spillovers that may ignite. Heat oils slowly on low or medium settings.
- b. Always turn hood ON when cooking at high heat or when flaming food
- c. Clean ventilating fans frequently. Grease should not be allowed to accumulate on fan or filter.
- d. Use proper pan size. Always use cookware appropriate for the size of the surface element.
- e. Keep fan, filters and grease laden surfaces clean.
- f. Use high setting on hood only when necessary.
- g. Don't leave hood unattended when cooking.
- h. Always use cookware and utensils appropriate for the type of and amount of food being prepared.

WARNING

TO REDUCE THE RISK OF INJURY TO PERSONS IN THE EVENT OF A RANGE TOP FIRE, OBSERVE THE FOLLOWING:

- a. SMOTHER FLAMES with a close-fitting lid, cookie sheet, or metal tray, then turn off the burner. BE CAREFUL TO PREVENT BURNS. If the flames do not go out immediately, EVACUATE AND CALL THE FIRE DEPARTMENT.
- b. NEVER PICK UP A FLAMING PAN – You may be burned.
- c. DO NOT USE WATER, including wet dishcloths or towels – a violent steam explosion will result.
- d. Use an extinguisher ONLY if:
 - 1. You know you have a Class ABC extinguisher, and you already know how to operate it.
 - 2. The fire is small and contained in the area where it started.
 - 3. The fire department is being called.
 - 4. You can fight the fire with your back to an exit

WARNING

TO REDUCE THE RISK OF FIRE, ELECTRIC SHOCK OR INJURY TO PERSONS, OBSERVE THE FOLLOWING:

- a. Installation work and electrical wiring must be done by qualified person (s) in accordance with all applicable codes and standards. Including fire-rated construction.
- b. Sufficient air is needed for power combustion and exhausting of gases through the flue (chimney) of fuel burning equipment to prevent back-drafting. Follow the heating equipment manufacturer's guideline and safety standards such as those published by the National Fire Protection Association (NFPA) and the American Society for Heating, Refrigeration and Air Conditioning Engineers (ASHRAE) and the local code authorities.
- c. When cutting or drilling into wall or ceiling, do not damage electrical wiring and other hidden utilities.
- d. Ducted fans must always vent to the outdoors.
- e. If this unit is to be installed over a tub or shower, it must be marked as appropriate for the application and be connected to a GFCL (Ground Fault Interrupter protected branch circuit).
- g. NEVER place a switch where it can be reached from a tub or shower.
- h. Make sure the power is off before installing, wiring or maintenancing.

WARNING

TO REDUCE THE RISK OF FIRE, USE ONLY METAL DUCTWORK.

CAUTION

To reduce risk of fire and to properly exhaust air outside - Do not vent exhaust air into spaces within walls, ceilings, attics, crawl spaces or garages.

WARNING

TO REDUCE THE RISK OF SHOCK, THIS FAN MUST BE INSTALLED WITH AN ISOLATING WALL CONTROL/ SWITCH.

OPERATION

Always leave safety grills and filters in place. Without these components, operating blowers could catch onto hair, fingers and loose clothing.

***NOTE:** Please check www.windcrestcnp.com for revisions before doing any custom work.

Important Safety Notice

List of Materials

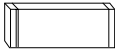
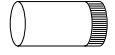

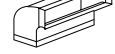


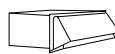




MODEL: WCB/WSB



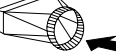




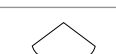


- 1 - Hood
- 2 - Baffle filters, (3) for 36" models
- 2 - Halogen lights
- 1 - Rectangular starting collar
- 1 - Round to rectangular transition adapter
- 1 - 6" round metal cap
- 2 - Blower brackets
- 2 - Heat lamp connector housings

1 - HARDWARE PACKET CONTAINING:

- 4 - 2" wood screws
- 4 - 1-1/2" wood screws
- 4 - 1" wood screws
- 3 - Wire connectors
- 2 - Screws for heat lamp connector covers
- 3 - Screws for 6" round metal plate
- 4 - Screws for blower bracket to blower plate
- 4 - Screws for blower bracket to blower
- 6 - Screws for round to rectangular transition adapter

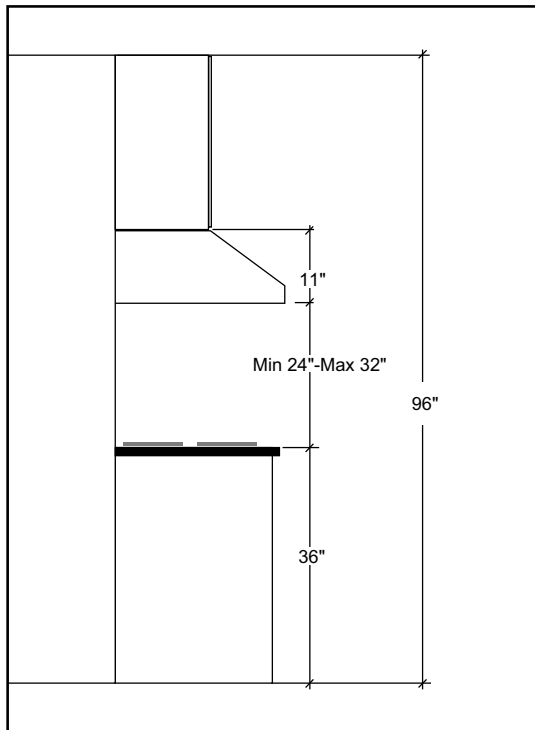
Installation – Ducting Calculation Sheet

Duct pieces		Equivalent number length x used =	Total
	3-1/4" x 10" Rect., straight	1 Ft. x () =	Ft.
	7" Round, straight	1 Ft. x () =	Ft.
	8" Round, straight	1 Ft. x () =	Ft.
	3-1/4" x 10" Rect. 90° elbow	15 Ft. x () =	Ft.
	3-1/4" x 10" Rect. 45° elbow	9 Ft. x () =	Ft.
	3-1/4" x 10" Rect. 90° flat elbow	24 Ft. x () =	Ft.
	3-1/4" x 10" Rect. wall cap with damper	30 Ft. x () =	Ft.
	3-1/4" x 10" Rect. to 6" round transition	5 Ft. x () =	Ft.
	3-1/4" x 10" Rect. to 6" round transition 90° elbow	15 Ft. x () =	Ft.
	6" Round, 90° elbow	15 Ft. x () =	Ft.
	6" Round, 45° elbow	9 Ft. x () =	Ft.
Subtotal column 1 =			Ft.

Duct pieces		Equivalent number length x used =	Total
	6" - 8" Round wall cap with damper	30 Ft. x () =	Ft.
	6" - 8" Round, roof cap	30 Ft. x () =	Ft.
	6" round to 3-1/4" x 10" rect. transition	1 Ft. x () =	Ft.
	6" round to 3-1/4" x 10" rect. transition 90° elbow	16 Ft. x () =	Ft.
	7" or 8" Round, 90° elbow	15 Ft. x () =	Ft.
	7" or 8" Round, 45° elbow	9 Ft. x () =	Ft.
	7" or 8" Round wall cap with damper	30 Ft. x () =	Ft.
	7" or 8" Round, roof cap	30 Ft. x () =	Ft.
	7" round to 3 1/4" x 10" rect. transition	8 Ft. x () =	Ft.
	7" round to 3-1/4" x 10" rect. transition 90° elbow	15 Ft. x () =	Ft.
Subtotal column 2 =			Ft.
Subtotal column 1 =			Ft.
Total ductwork =			Ft.

Maximum Duct Length: For satisfactory air movement, the total duct length of a 3 1/4" x 10" rectangular 6", 7" or 8" diameter round duct should not exceed 100 equivalent feet.

Installation – Mounting Height & Clearance



Minimum mount height between range top to hood bottom should be no less than 24".

Maximum mount height should be no higher than 32".

It is important to install the hood at the proper mounting height. Hoods mounted too low could result in heat damage and fire hazard; while hoods mounted too high will be hard to reach and will lose its performance and efficiency.

If available, also refer range manufacturer's height clearance requirements and recommended hood mounting height above range.

Vertical:

- 6" round minimum (single blower)
- 10" round minimum (dual blower)

Horizontal:

- 3-1/4"x10" minimum (single blower)
- No horizontal option available for dual blower

DUCTING

A minimum of 6" round or 3-1/4" x 10" rectangular duct must be used to maintain maximum air flow efficiency.

Always use rigid type metal ducts only. Flexible ducts could restrict air flow by up to 50%.

Use calculation (on page 5) to compute total available duct run when using elbows, transitions and caps.

ALWAYS, when possible, reduce the number or transitions and turns. If long duct run is required, increase duct size from 6" to 7 or 8". If a reducer is used, install a long reducer instead of a pancake reducer. Reduce duct size as far away from opening as possible.

If turns or transitions are required; install as far away from opening and as far apart, between 2, as possible.

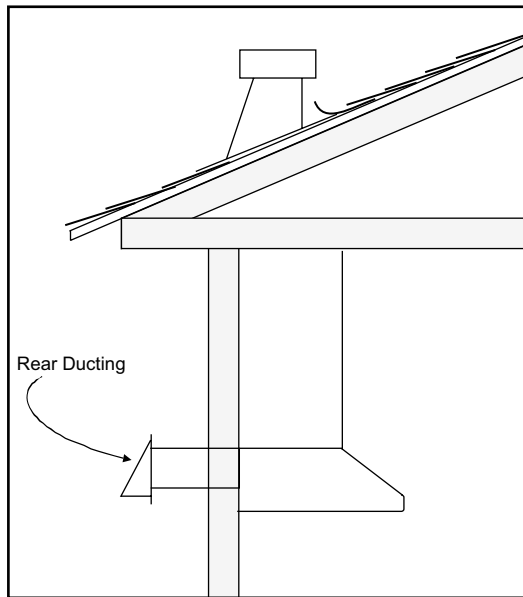
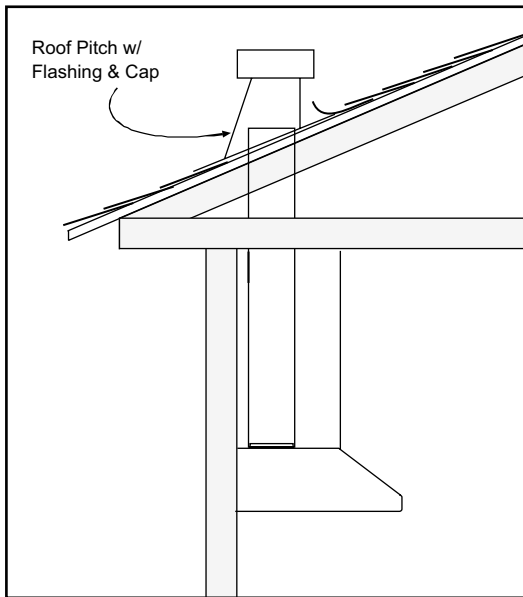
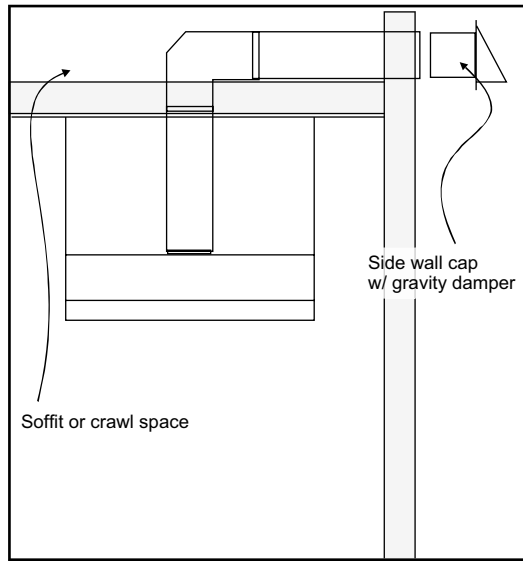
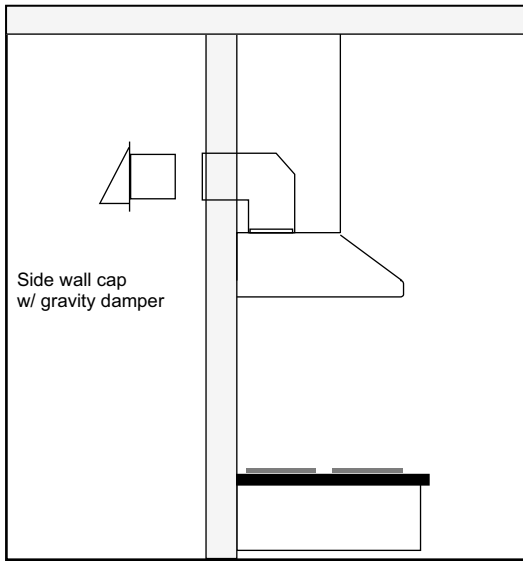
WARNING FIRE HAZARD

NEVER exhaust air or terminate duct work into spaces between walls, crawl spaces, ceiling, attics or garages. All exhaust must be ducted to the outside.

Use metal ductwork only.

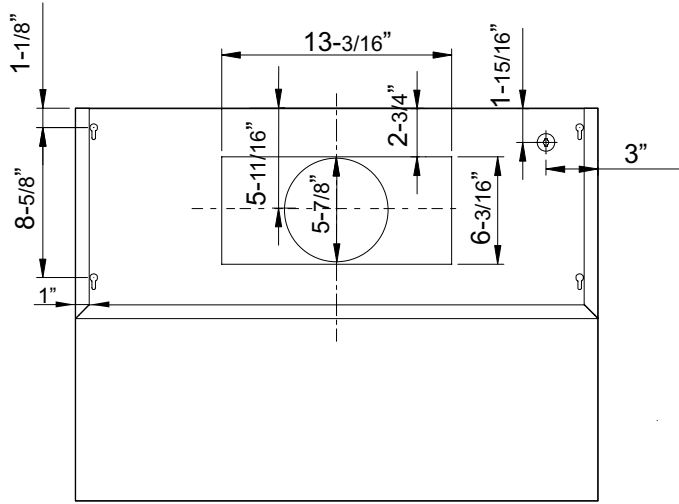
Fasten all connections with sheet metal screws and tape all joints with certified Silver Tape or Duct Tape.

Some Ducting Options

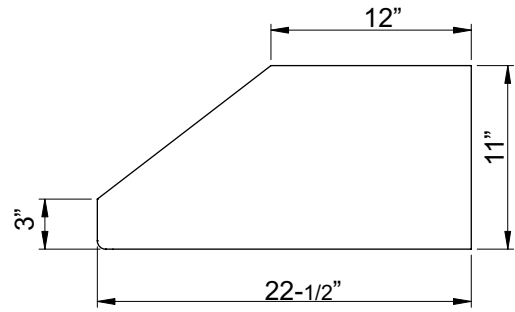


Installation – Hood Specifications

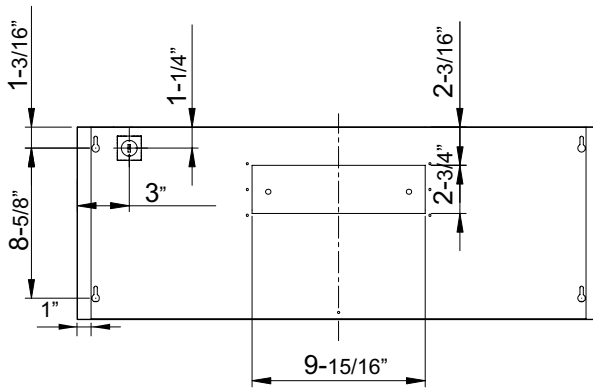
TOP



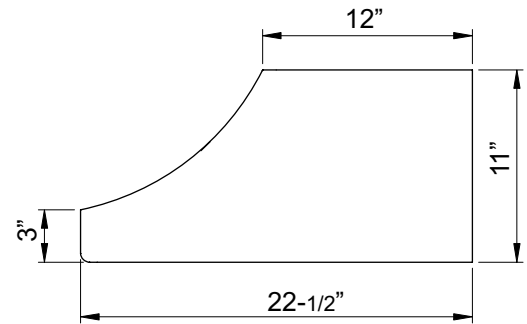
SIDE WCB



BACK



SIDE WSB



**ELECTRICAL
WARNING**

All Electrical work must be performed by qualified electrician or person with similar technical know how and background.

For personal safety, remove house fuse or open circuit breaker before beginning installation. Do not use extension cord or adapter plug with this appliance.

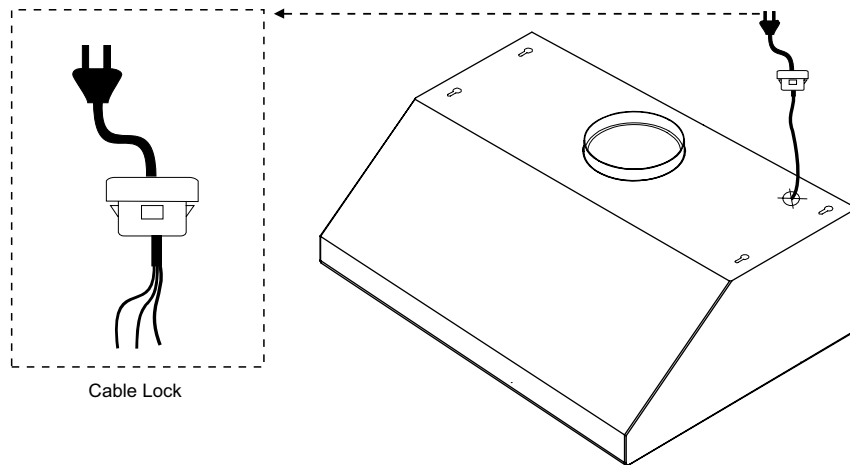
Follow national electrical codes or prevailing local codes and ordinances.

Electrical Supply:

This appliance requires a 120V 60Hz electrical supply, and connected to an individual, properly grounded branch circuit, protected by a 15 or 20 ampere circuit breaker or time delay fuse. Wiring must be 2 wire w/ ground. Please also refer Electrical Diagram labeled on product.

Cable Lock:

A cable locking connector (not supplied) might also be required by local codes. Check with local requirements and codes, purchase and install appropriate connector if necessary.

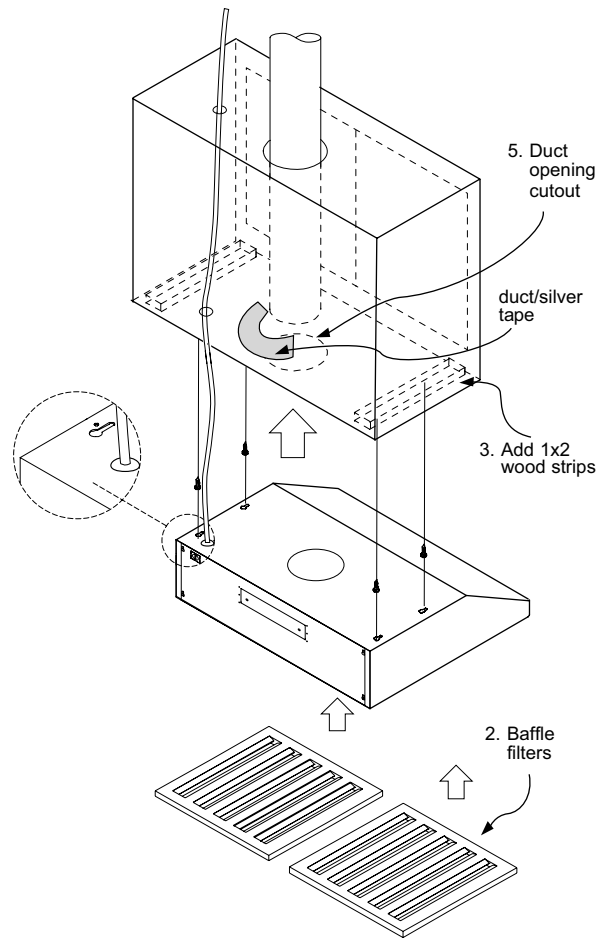


Installation – Mounting the Range Hood

For dual blower installation instructions please refer to page 14.

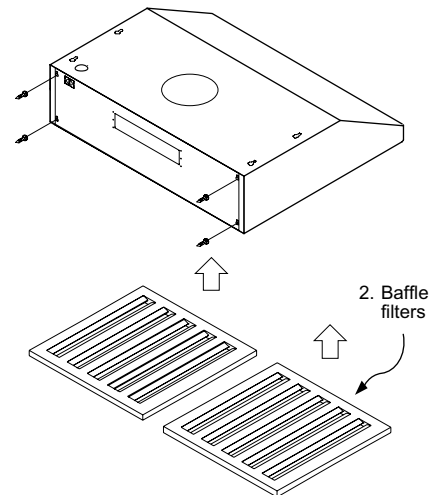
For Mounting Under a Kitchen Cabinet

1. Select preferred duct location (vertical or horizontal).
2. Begin installation by removing the baffle filters.
3. Reinforce cabinet with 1"x2" wood strips if additional strengthening is required or if cabinets are framed.
4. Temporarily position the range hood in the desired mounting location. Measure and mark the mounting holes, duct and electrical locations with a pencil.
NOTE: If using single internal blower a 6" round duct opening is necessary. If using a dual internal blower, please refer to page 13 for cut-out dimensions.
5. Drill/cut out the required openings for duct and electrical access; make sure the duct opening is large enough to apply duct tape.
6. Fasten hood onto cabinet with screws provided.
7. Install electrical.
8. Instal duct work and duct tape.
9. Reinstall baffle filters.
10. Power up hood and check for leaks around duct tape.



For Mounting to a Wall

1. Select preferred duct location (vertical or horizontal).
2. Begin installation by removing the baffle filters.
3. Temporarily position the range hood in the desired mounting location. Measure and mark the mounting holes, duct and electrical locations with a pencil.
4. Drill/cut out required openings.
5. Fasten hood onto wall with screws provided.
6. Install electrical.
7. Instal duct work and duct tape.
8. Reinstall baffle filters.
9. Power up hood and check for leaks around duct tape.

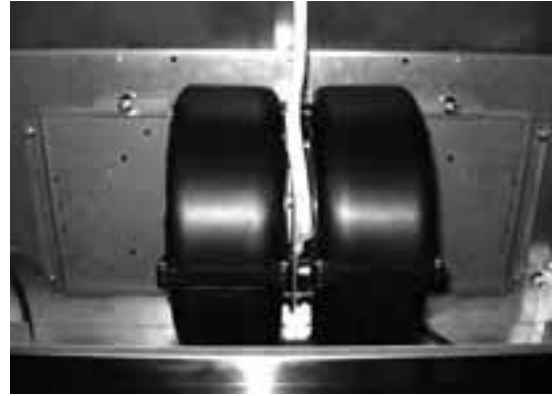


This range hood is equipped with a 6" round vertical or 3-1/4 x 10" rectangular rear duct option. To convert from vertical to horizontal ducting please follow the instructions below.

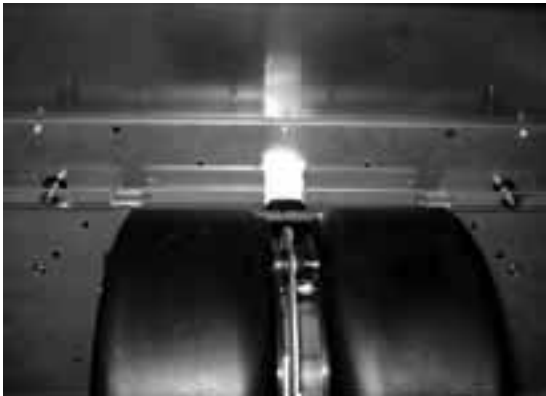
VERTICAL TO HORIZONTAL DUCTING CONVERSION



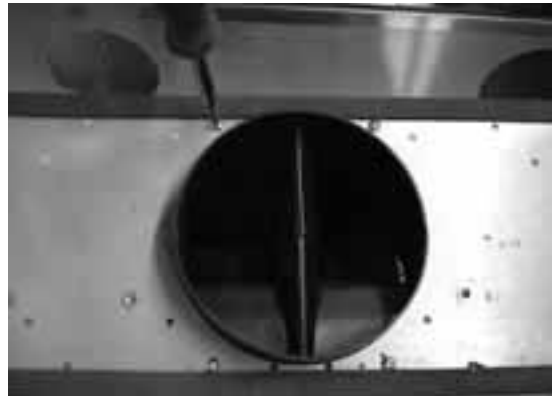
1. Disconnect blower wire.



2. Remove (6) screws holding blower plate to hood.



3. Lift up on blower plate clip to remove blower plate from hood.



4. Unscrew (4) screws holding blower to blower plate and remove blower.



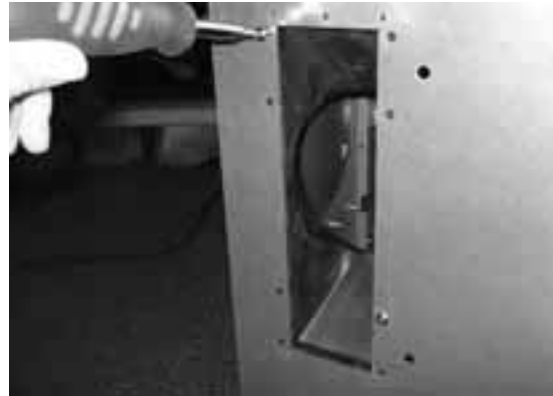
5. Cover blower opening on blower plate with 6" round metal cap. Attach with (3) screws provided.

6. Re-attach blower plate to hood by following removal instructions in reverse.

Installation – Horizontal Conversion



7. On the back of the hood, remove the (6) screws holding the rectangular cap.



8. Place round to rectangular transition adapter inside hood and line it up with the rectangular opening. Attach with (4) screws from the outside.



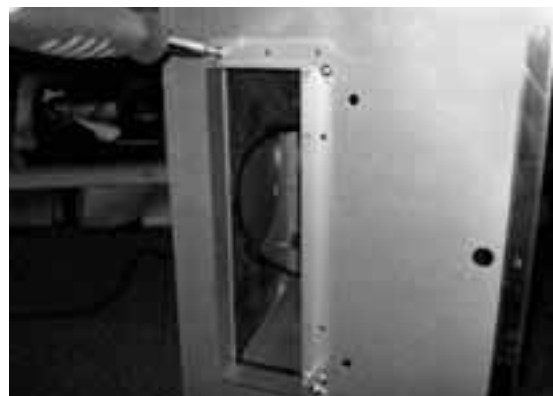
9. Picture of round to rectangular transition adapter installed in hood.



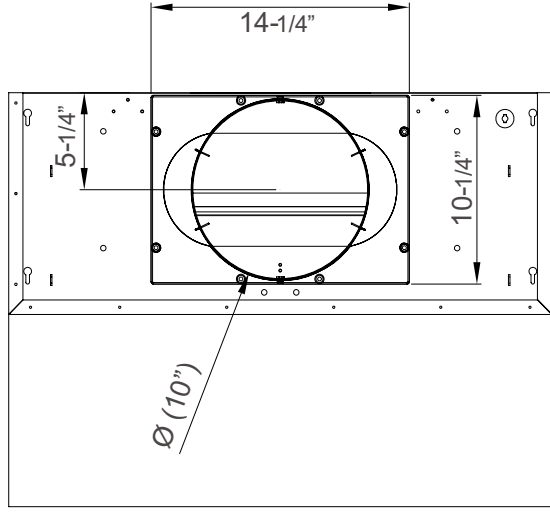
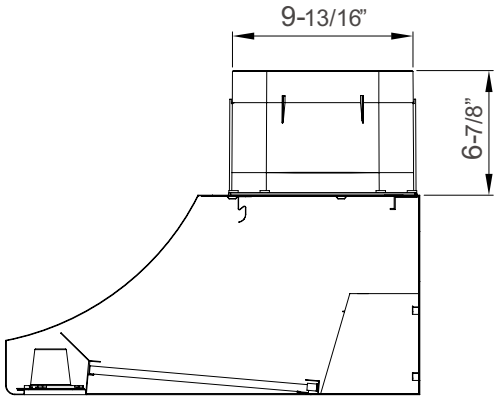
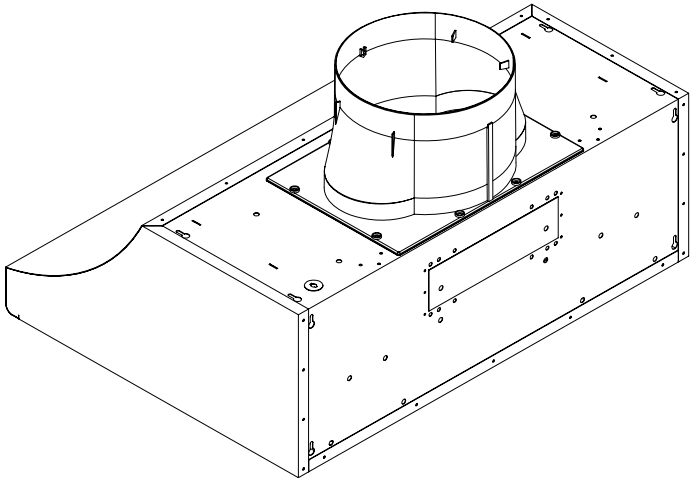
10. Attach blower brackets to blower using (2) screws on each side.



11. Place blower inside round end of round to rectangular transition adapter. Attach blower brackets to blower plate with (4) screws provided.



12. Attach rectangular starting collar using the (6) screws removed from rear rectangular cap in step 7.



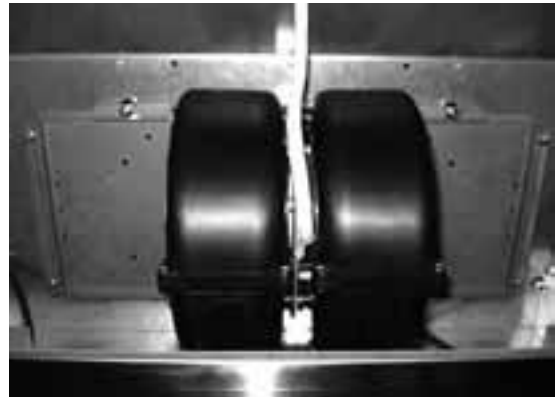
Accessory Installation – Dual Blower Duct Specifications

DUAL BLOWER INSTALLATION*

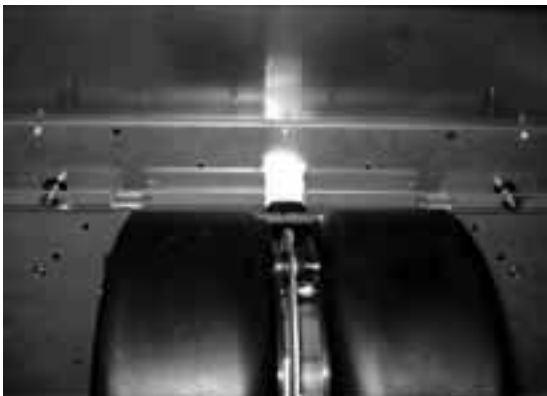
***IMPORTANT:** dual blower and heat lamps may only be used together in 36" models. 30" models will only accommodate one or the other, not both at the same time.



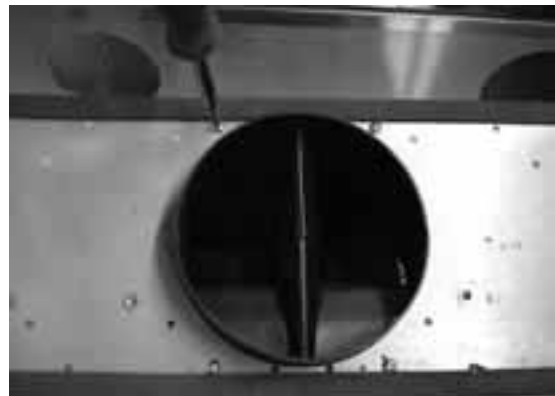
1. Disconnect single blower wire.



2. Remove (6) screws holding blower plate to hood.



3. Lift up on blower plate clip to remove blower plate from hood.



4. Unscrew (4) screws holding blower to blower plate and remove blower.



5. Picture of dual blower kit.



6. Use the blower removed from the single blower plate and install it into the dual blower plate.

-
7. Re-attach dual blower plate to hood by following removal instructions in reverse. Attach blower wire to hood.



8. Once mounted, use the dual blower to 10" round adapter and connect 10" duct work.

Accessory Installation – Heat Lamp Kit

HEAT LAMP KIT INSTALLATION*

***IMPORTANT:** dual blower and heat lamps may only be used together in 36" models. 30" models will only accommodate one or the other, not both at the same time.



1. Remove nuts from each of the (4) screws around the bottom panel. Remove bottom panel.



2. Replace bottom panel with heat lamp bottom panel. Re-attach screws and nuts.



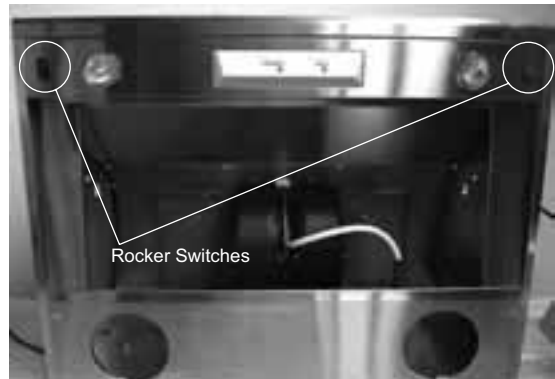
3. Place heat lamp housings over the (4) pre-threaded screw posts inside the hood. Attach with screws provided.



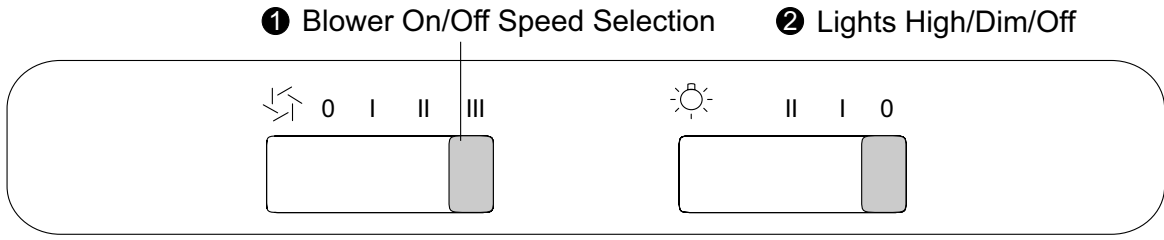
4. Install heat lamp wire cover over wire from heat lamp housing and screw shut. Repeat for each heat lamp housing.



5. Plug heat lamp wire from hood into wire from heat lamp housing.



6. Install heat lamp bulbs (sold separately) and operate heat lamps using rocker switches locate in each corner near the halogen bulbs.



1 BLOWER ON/OFF/SPEED SELECTION

0 is off, I is low speed, II is medium speed and III is high speed.

2 LIGHTS HIGH/DIM/OFF

0 is off, I is dim, and II is bright.

SURFACE MAINTENANCE:

Clean periodically with hot soapy water and clean cotton cloth. Do not use corrosive or abrasive detergent, or steel wool/ scoring pads which will scratch and damage surface.

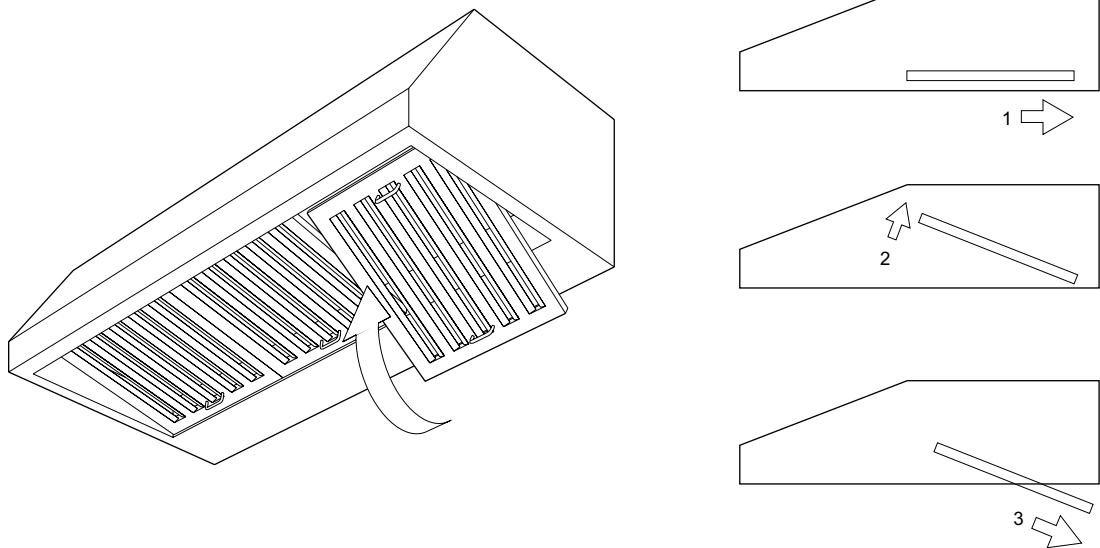
For heavier soil use liquid degreaser.

After cleaning, you may use non-abrasive stainless steel polish/ cleaners, to polish and buff out the stainless luster and grain. Always scrub lightly using a micro fiber or clean cotton cloth and with grain.

Stainless Steel Baffle Filters

The stainless steel baffle filters fitted by the factory are intended to trap residue and grease from cooking. Although the filters never need replacement, they are required to be cleaned every 30 - 60 days or more often depending on cooking habits.

Filters may be placed in dishwasher at low heat or soaked in hot soapy water.



Removing Baffle Filters

1. Pull filter toward back of range hood using handles.
2. Pivot filter front upward.
3. Remove downwards to the rear.

REPLACING LIGHT BULBS

CAUTION: Light bulb becomes extremely hot when turned on.

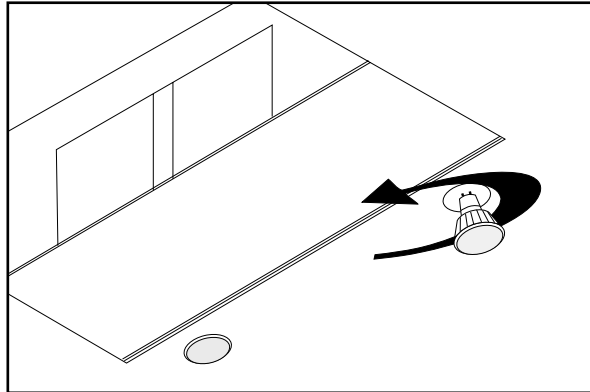
DO NOT touch bulb until switched off and cooled. Touching hot bulbs could cause serious burns.

Make sure all power is turned off and bulbs are not hot.

Remove by turning bulb counter clockwise.

If bulbs are difficult to turn due to prolonged use, firmly attach a glass suction cup approximately the diameter of the bulb and turn. You may also use a rubber/latex glove to grip the bulb with the palm of your hand and turn.

Replacement bulbs are available at specialty lighting stores. Purchase type GU10 120V 35W halogen bulbs.



Maintenance – Optional Accessories

Model:	30"	36"
Heat Lamp Kit	WSCB30HLKIT	WSCB36HLKIT
*Dual Internal Blower	VEN110I	VEN110I
6" Duct Cover	6CE30	6CE36
12" Duct Cover	12CE30	12CE36
Back Splash	BS30	BS36

*note - dual blower and heat lamps may only be used together in 36" models.
30" models can only accommodate one or the other.

TROUBLESHOOTING PROCEDURES FOR WCB/WSB

Issue	Cause	What to do
After installation, the unit doesn't work.	1. The power source is not turned ON.	1. Make sure the circuit breaker and the unit's power is ON.
	2. The power line and the cable locking connector is not connecting properly.	2. Check the power connection with the unit is connected properly.
	3. The switch board and control board wirings are disconnected.	3. Make sure the wirings between the switch board and control board are connected properly.
	4. On the switch board, Black/White wire or White wire is disconnected.	4. Make sure the Black/White wire or White wire connects properly.
	5. The switch board or control board is defective.	5. Change the switch board or control board.
Light works, but motor is not turning.	1. The motor is defective, possible seized.	1. Change the motor.
	2. The thermally protected system detects if the motor is too hot to operate and shuts the motor down.	2. The motor will function properly after the thermally protected system cool down.
	3. Damaged condenser.	3. Change the condenser.
The unit is vibrating.	1. The motor is not secure in place.	1. Tighten the motor in place.
	2. Damaged blower wheel.	2. Change the blower wheel.
	3. The hood is not secured in place.	3. Check the installation of the hood.
The motor is working, but the lights are not.	1. Defective halogen bulb.	1. Change the halogen bulb.
	2. The light bulb is loose.	2. Tighten the light bulb.
The hood is not venting out properly.	1. The hood might be hanging to high from the cook top.	1. Adjust the distance between the cook top and the bottom of the hood within 24" and 32" range.
	2. The wind from the opened windows or opened doors in the surrounding area are affecting the ventilation of the hood.	2. Close all the windows and doors to eliminate the outside wind flow.
	3. Blocking in the duct opening or duct work.	3. Remove all the blocking from the duct work or duct opening.
	4. The direction of duct opening is against the wind.	4. Adjust the duct opening direction.
	5. Using the wrong size of ducting.	5. Change the ducting to at least 8" or higher.
Heat lamp is not working.	1. Power on the heat lamp is not turning on.	1. Make sure the heat lamp power is ON.
	2. Heat lamp bulb is defective.	2. Change the heat lamp bulb.
	3. Heat lamp bulb is loose.	3. Tighten the heat lamp bulb.
Metal filter is vibrating.	1. Metal filter is loose.	1. Change the metal filter.
	2. Spring clip is broken.	2. Change the spring clip.