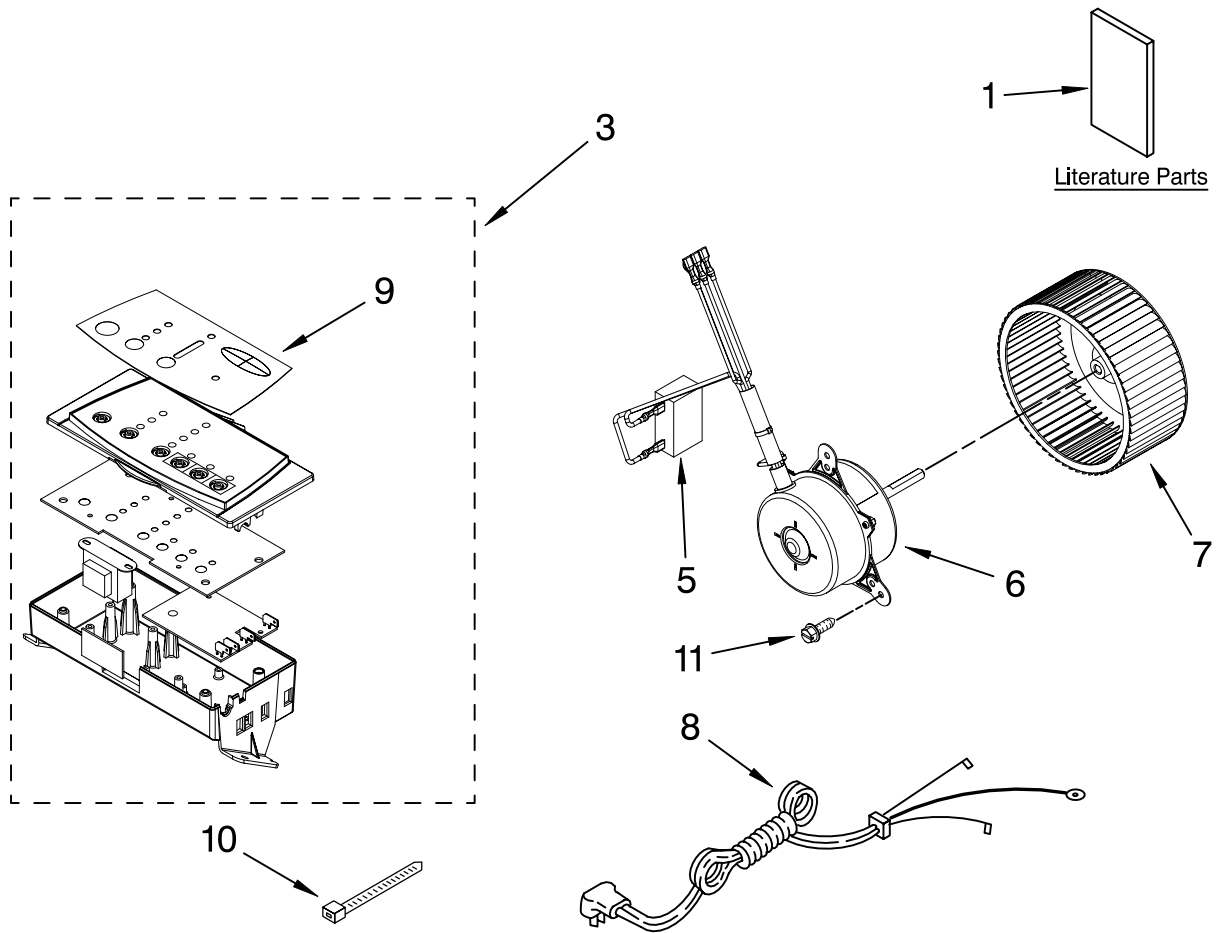




# AIR FLOW AND CONTROL PARTS

For Model: AD35USS0

DEHUMIDIFIER

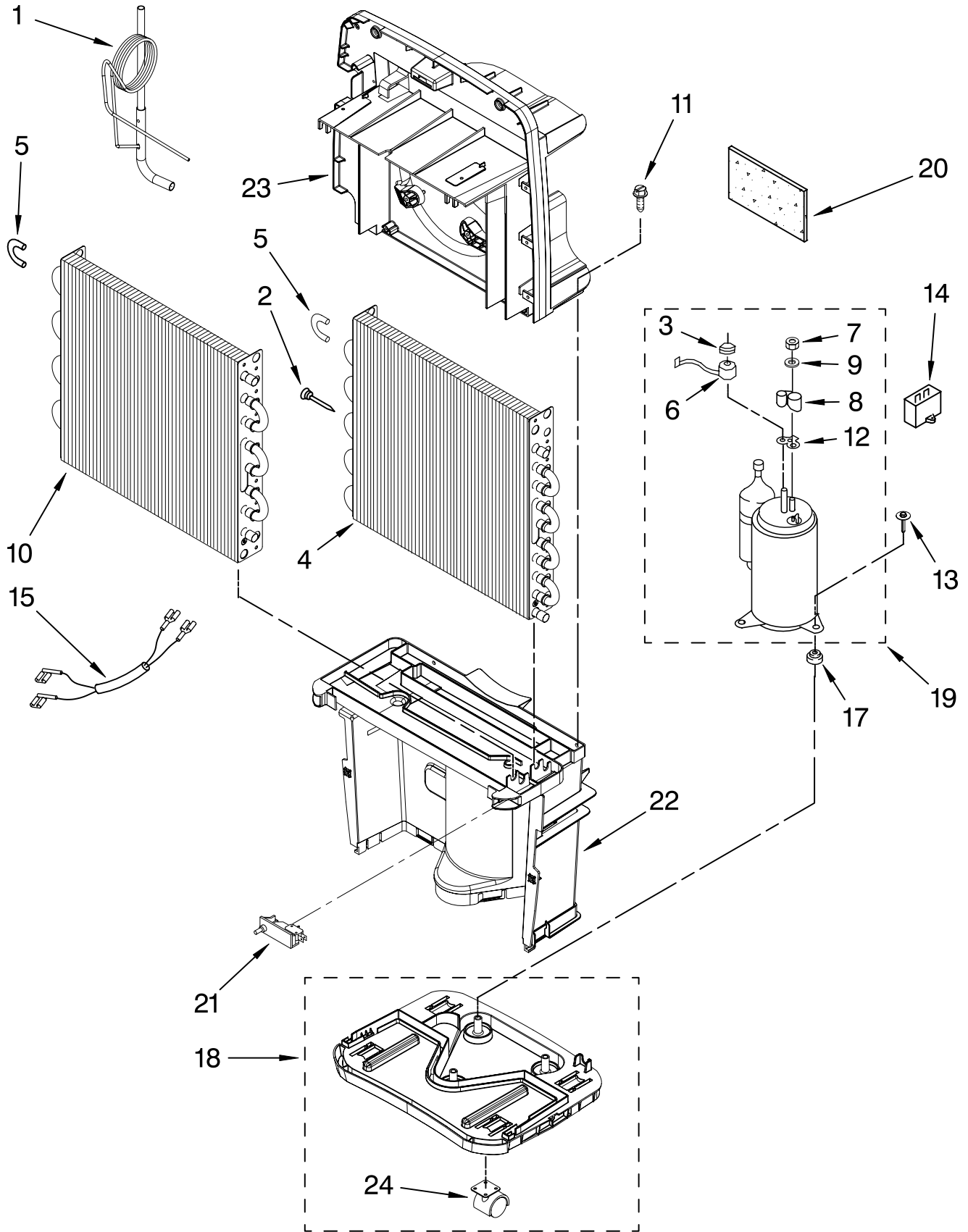


| Illus. No. | Part No. | DESCRIPTION             |
|------------|----------|-------------------------|
| 1          |          | Literature Parts        |
|            | 1188575  | Wiring Diagram          |
|            | 1188421  | Use & Care Guide        |
| 3          | 1188398  | Assembly, Control Panel |
| 5          | 1188476  | Capacitor, Fan          |
| 6          | 1188411  | Motor, Fan              |
| 7          | 1188416  | Wheel, Blower           |
| 8          | 1188469  | Cord, Appliance         |
| 9          | 1188459  | Overlay                 |
| 10         | 602851   | Tie, Cable              |
| 11         | 489470   | Screw                   |

FOR ORDERING INFORMATION REFER TO PARTS PRICE LIST

# UNIT PARTS

For Model: AD35USS0



FOR ORDERING INFORMATION REFER TO PARTS PRICE LIST

# UNIT PARTS

For Model: AD35USS0

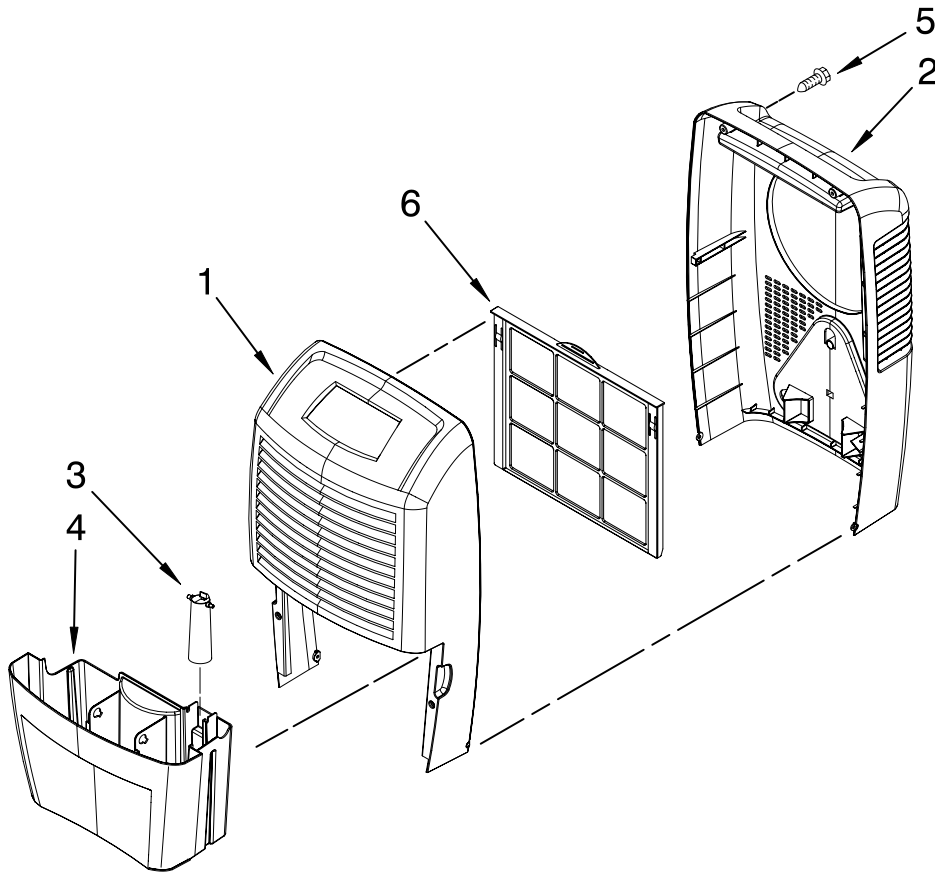
| <b>Illus.<br/>No.</b> | <b>Part<br/>No.</b> | <b>DESCRIPTION</b>                      |
|-----------------------|---------------------|---|
| 1                     | 1188523             | Tube, Restrictor                        |
| 2                     | 1162526             | Strainer                                |
| 3                     | 1185795             | Spring, Overload                        |
| 4                     | 1188482             | Condenser                               |
| 5                     | 4388784             | Bend, Return                            |
| 6                     | 1188145             | Overload,<br>Protector                  |
| 7                     | 1186030             | Nut, Terminal<br>Cover                  |
| 8                     | 1185792             | Cover, Terminal                         |
| 9                     | 1185794             | Washer, Nut                             |
| 10                    | 1188441             | Evaporator                              |
| 11                    | 9740848             | Screw                                   |
| 12                    | 1185793             | Gasket, Terminal<br>Cover               |
| 13                    | W10001320           | Screw, Compressor                       |
| 14                    | 1188477             | Capacitor                               |
| 15                    | 1188467             | Wire Harness,<br>Compressor<br>(2 Wire) |
| 17                    | 1188564             | Grommet,<br>Compressor                  |
| 18                    | 1188558             | Base                                    |
| 19                    | 1188417             | Compressor,<br>(Complete<br>Assembly)   |
| 20                    | 1182480             | Putty, Sound<br>Damping                 |
| 21                    | 1188815             | Switch, Bucket<br>Fill/Check            |
| 22                    | 1188393             | Support, Lower                          |
| 23                    | 1188394             | Support, Upper                          |
| 24                    | 1188415             | Caster                                  |

## REFRIGERANT CHARGE

6.50 oz.  
R-22

# CABINET PARTS

For Model: AD35USS0



| Illus. No. | Part No. | DESCRIPTION                          |
|------------|----------|--------------------------------------|
| 1          | 1188395  | Cabinet, Front                       |
| 2          | 1188396  | Cabinet, Rear                        |
| 3          | 1188341  | Float                                |
| 4          | 1188527  | Bucket Assembly<br>(Includes Item 6) |
| 5          | 9742177  | Screw                                |
| 6          | 1188402  | Filter                               |

**Following Parts Not Illustrated  
and Optional Parts Not Included**

|            |   |
|------------|---|
| 484310     | Epoxy, Tube<br>(Aluminum Repair)        |
| 505168     | Tape, No Drip<br>Valve, Access          |
| 978025     | 1/4" Tube O.D.                          |
| 978026     | 5/16" Tube O.D.                         |
| 978027     | 3/8" Tube O.D.                          |
| 978028     | 1/2" Tube O.D.                          |
| 978029     | 5/8" Tube O.D.                          |
| 978030     | 3/4" Tube O.D.                          |
| 978865Bulk | Seal, Ring<br>Access Valve<br>(20 Pack) |

FOR ORDERING INFORMATION REFER TO PARTS PRICE LIST