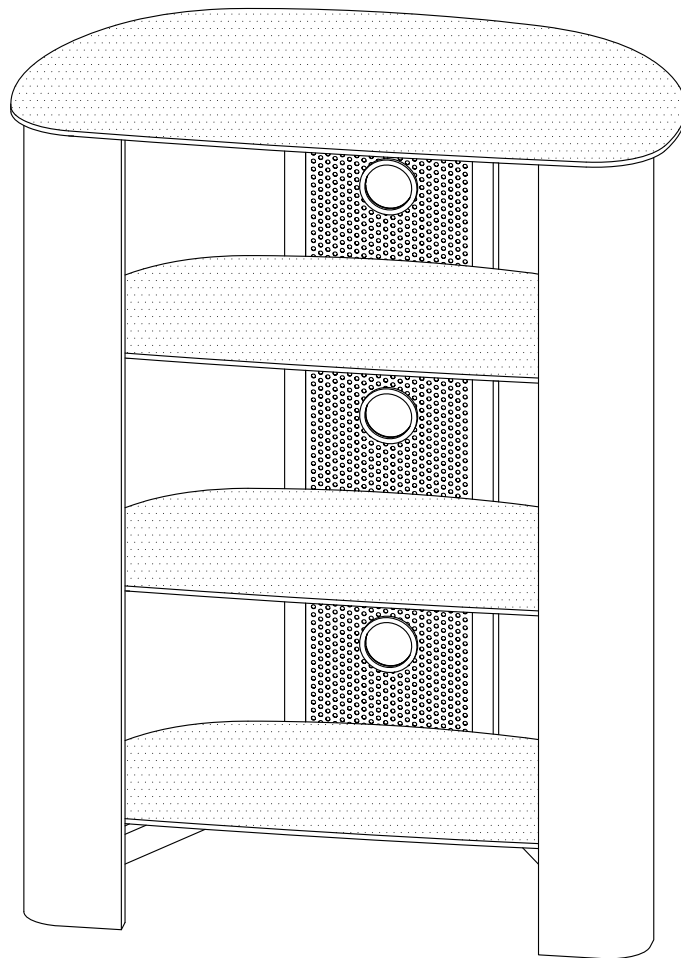


W Walker
Edison
furniture company

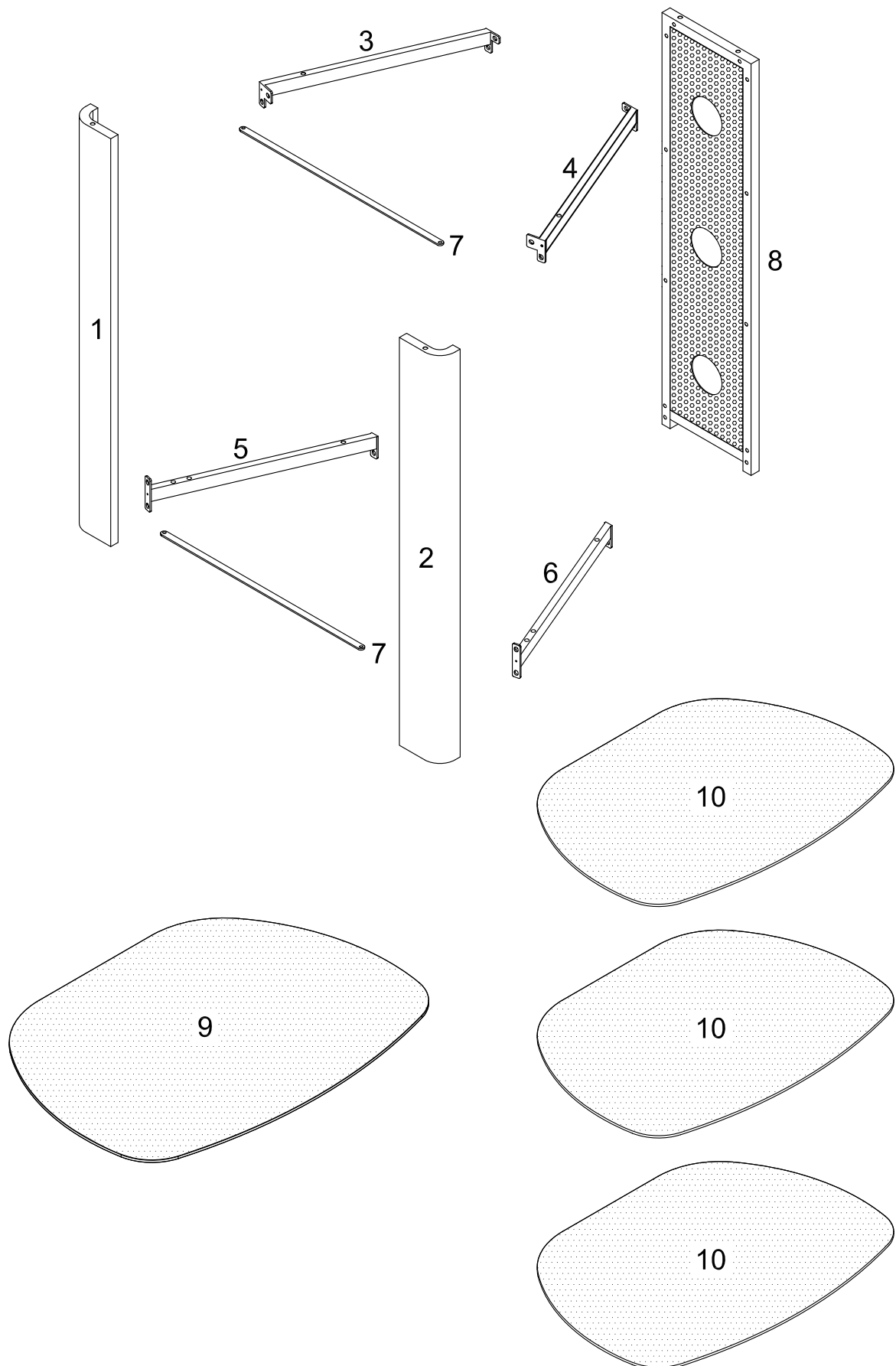
Item #: V35MWF
Assembly Instructions











For our most current instructions, to request missing, lost or broken parts, or for any other Customer Service issues, please visit our website at www.walkeredison.com or call us at 877-207-5906.

Revised 07/2011

Parts List

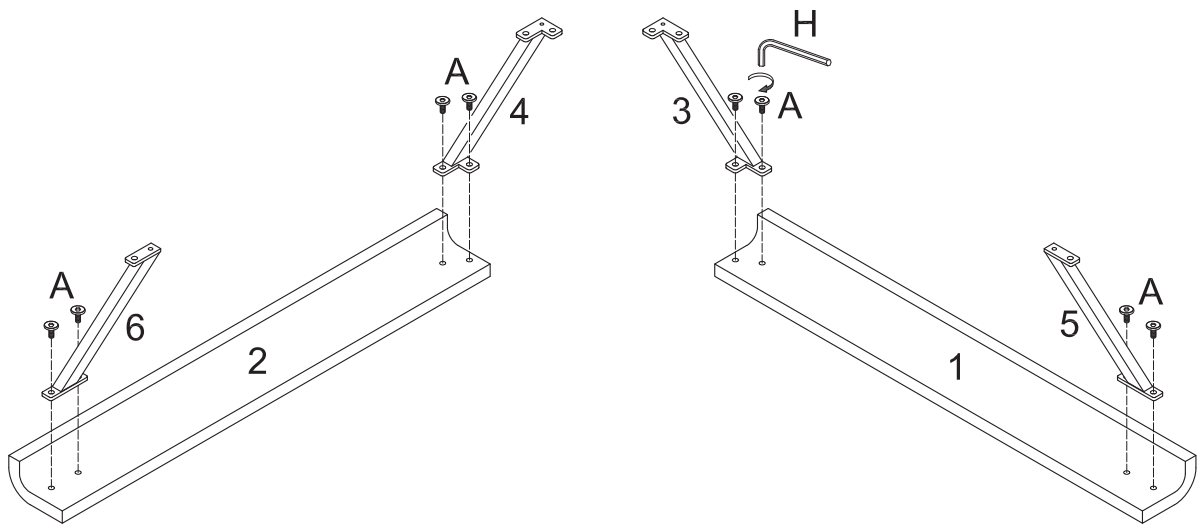


Hardware List

A		Ø1/4"x1/2"	Screw	14 pcs
B		Ø1/4"x1-1/8"	Screw	2 pcs
C		Ø1/4"x3/8"	Screw	4 pcs
D		Ø19x22mm	Suction cup	4 pcs
E		Ø1/4"x1/2"	Pin	8 pcs
F			Rubber pad	2 pcs
G		Ø20mm	Suction cup	2 pcs
H		M4	Wrench	1 pc

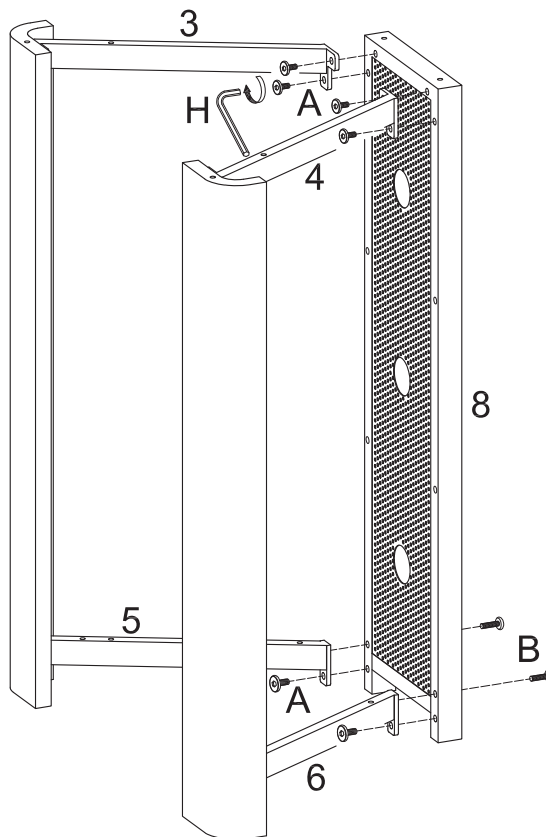
*The hardware quantities listed above are required for proper assembly.
Some extra hardware may also have been included.*

Step 1



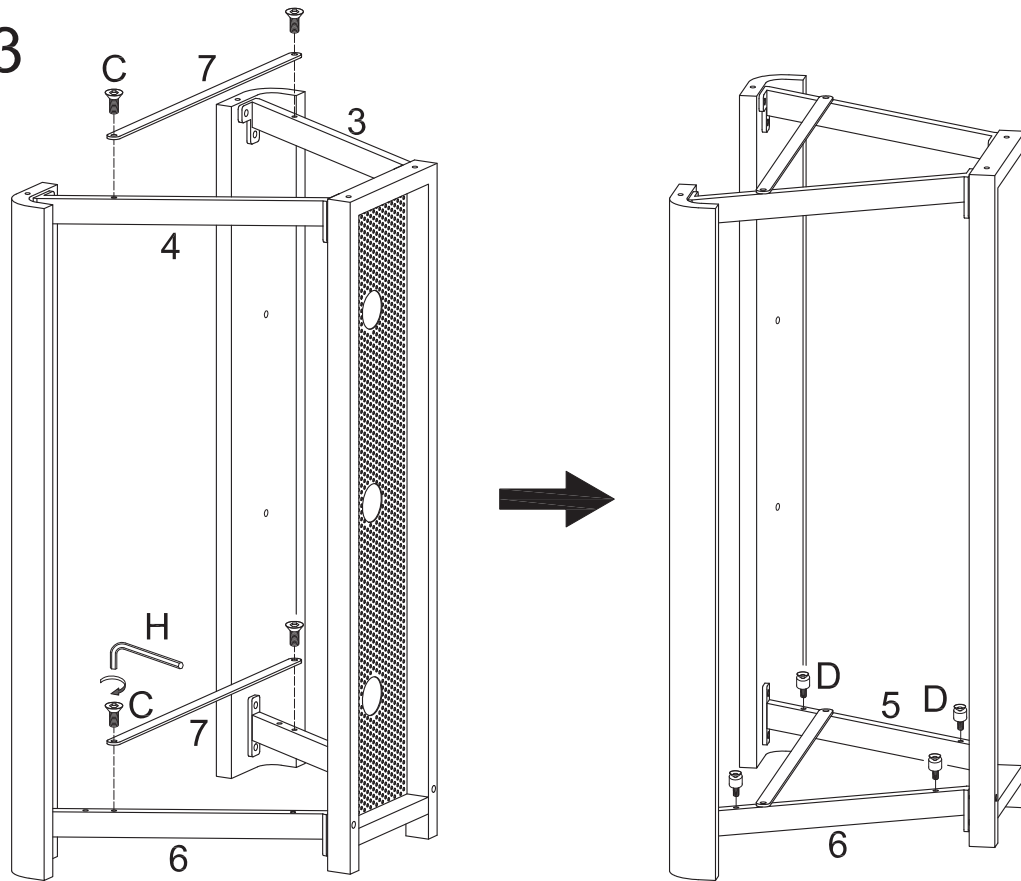
Attach crossbars (4,6) to front panel (2) using screws (A). Attach crossbars (3,5) to front panel (1) using screws (A). Tighten screws (A) with wrench (H).

Step 2



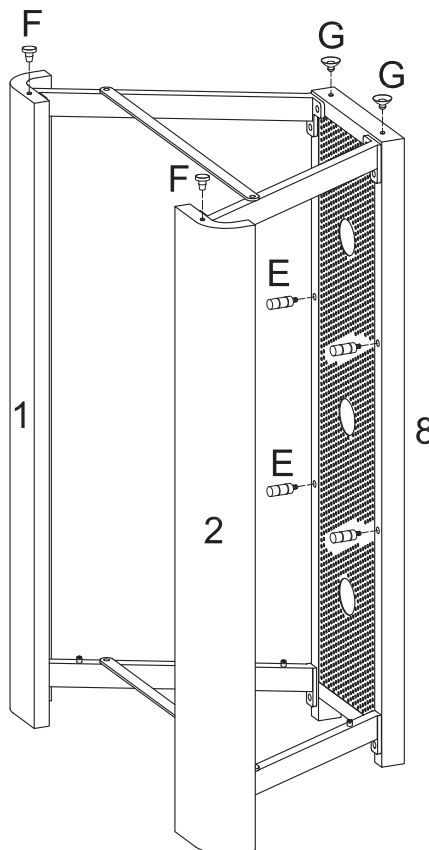
Attach crossbars (3,4) to cable management system (8) using screws (A). Attach crossbars (5,6) to cable management system (8) using both screws (A) and screws (B). *It may be necessary to loosen the screws from Step 1 slightly to align the crossbars properly with the cable management system.* Tighten all screws firmly with wrench (H).

Step 3



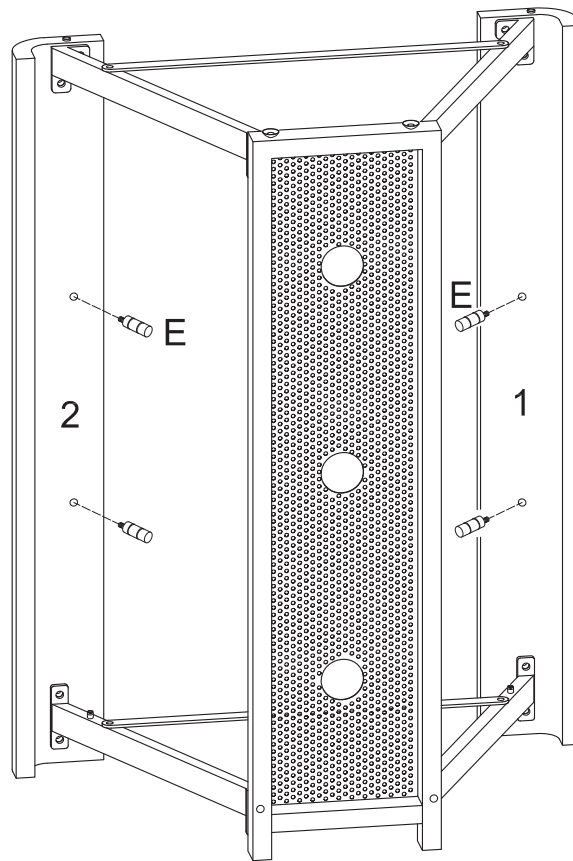
Attach support bars (7) to crossbars (3,4) and crossbars (5,6) using screws (C). Tighten screws (C) with wrench (H). Screw suction cups (D) into crossbars (5,6).

Step 4



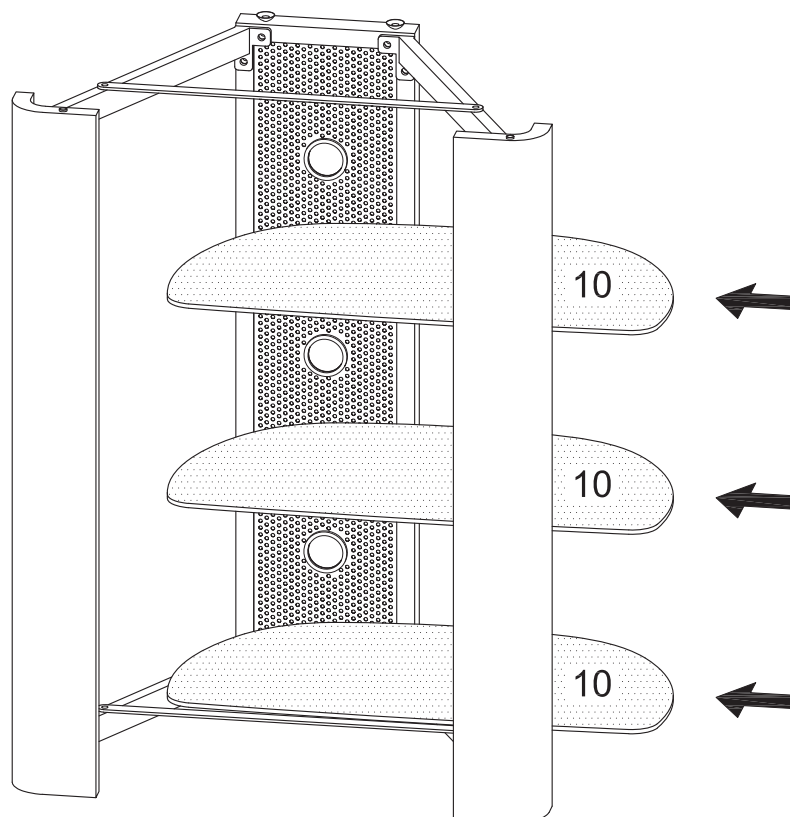
Screw pins (E) into cable management system (8). Insert rubber pads (F) into front panels (1,2). Insert suction cups (G) into cable management system (8).

Step 5



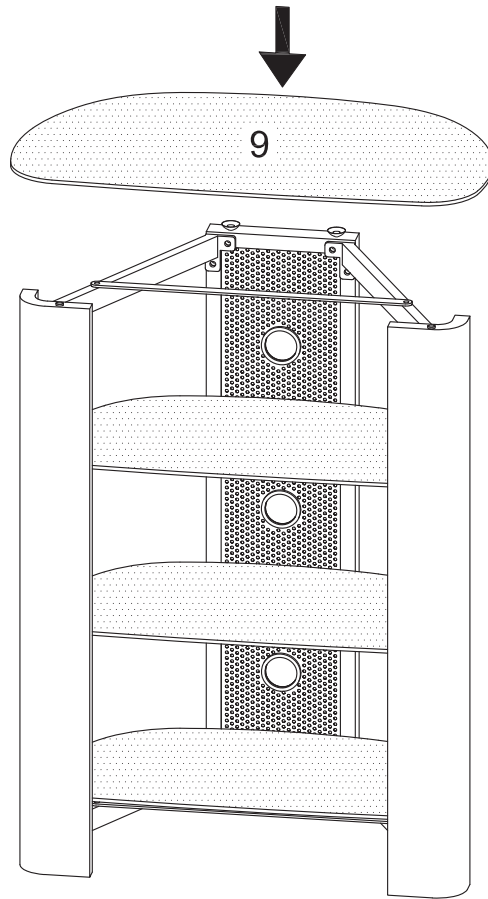
Screw pins (E) into front panels (1,2).

Step 6



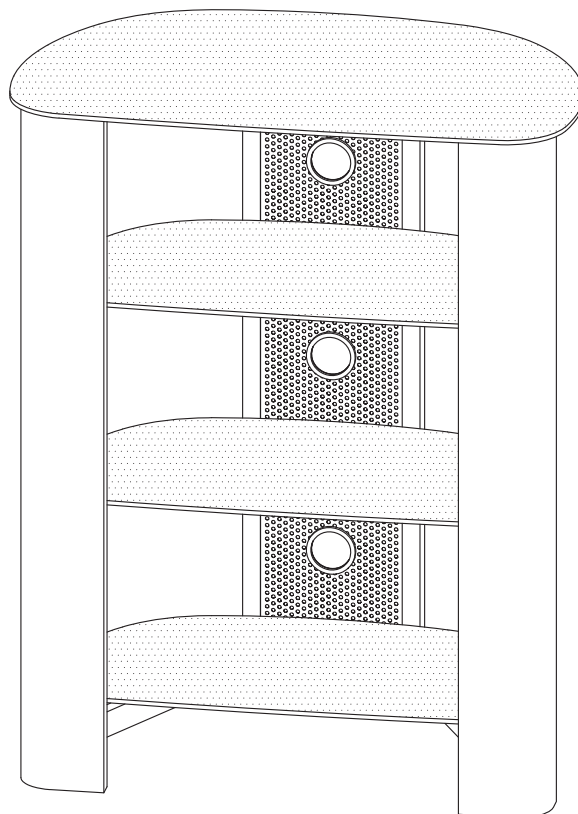
Carefully slide glass shelves (10) into place. *The glass shelves will rest on the pins placed in Steps 4 and 5.*

Step 7



Place glass shelf (9) carefully on top of the stand and gently press down to secure.

Step 8



Final Assembly