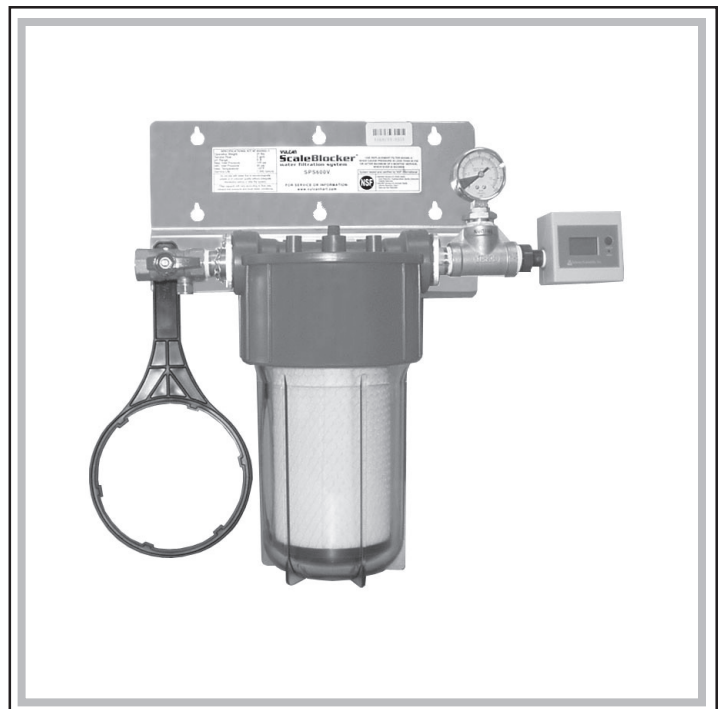


VULCAN

INSTALLATION & OPERATION MANUAL

SCALEBLOCKER™ WATER FILTRATION SYSTEM

<i>MODEL</i>	<i>PART NO.</i>
<i>SPS600V</i>	<i>854893-1</i>
<i>SPS620V</i>	<i>854893-2</i>



For additional information on Vulcan-Hart or to locate an authorized parts and service provider in your area, visit our website at www.vulcanhart.com

Installation, Operation and Care of SCALEBLOCKER™ WATER FILTRATION SYSTEM MODELS SPS600V & SPS620V

SAVE THESE INSTRUCTIONS

GENERAL

Vulcan water filters are produced with quality workmanship and material. Proper installation, usage and maintenance of your water filter will result in many years of satisfactory performance.

It is suggested that you thoroughly read this entire manual and carefully follow all of the instructions provided.

The water filtration system conforms to ANSI/NSF Standard 53 and ANSI/NSF Standard 42 for the specific performance claims as verified and substantiated by test data.

Filter capacity will vary according to flow rate, influent water pressure and local water conditions.

Service life for the filter cartridge for model SPS600V is 7,500 gallons (28,390 liters); for model SPS620V, the service life for the filter cartridge is 15,000 gallons (56,780 liters). Filter cartridge replacement is recommended at least every 6 months to maintain equipment warranty. Filter cartridge replacement is also recommended if water pressure goes below 20 psig (138 kPa).

INSTALLATION

UNPACKING

The water filter was inspected before leaving the factory. The transportation company assumes full responsibility for safe delivery upon acceptance of the shipment.

IMPORTANT: Immediately after unpacking, check for possible shipping damage. If the water filter is found to be damaged, save the packaging material and contact the carrier within 15 days of delivery.

TEST THE WATER AND RETURN THE RESPONSE CARD

Test the incoming unfiltered water supply with the enclosed 4-IN-1 City Water Check test strip by carefully following the instructions on the package. Record the results on the enclosed Filter Registration Card. Be sure and use the Vulcan-Hart Equipment model and serial number. Do not use the filter system model and serial number. Fill the registration card out completely and return the information to Vulcan in one of the following three ways: Mail the postage-paid self-addressed card to Vulcan, FAX the completed card per instructions on the card or contact Vulcan on-line at www.vulcanhart.com, select service tab and answer all the necessary questions.

NOTE: Filter registration is required at time of installation to begin warranty coverage on the equipment being installed with the filter.

LOCATION

The water filter should be mounted on a sturdy support structure or wall and must be level. Do not mount the filter system directly on the steamer.

LEVELING

Use a carpenter's level to level the top of the water filter's mounting head.

INSTALLATION REQUIREMENTS

The model SPS600V and SPS620V water filters are designed to be installed in the cold water line only. Installation of the water filter in a hot water line can seriously damage the filter housing. The filter must be in contact with water at all times after installation. Installation must comply with any existing state or local plumbing codes.

WATER PARAMETERS

pH	6 to 9
Alkalinity	0 to 250 ppm
Chlorine	0 to 4 ppm
Hardness	0 to 300 ppm

Refer to the Water Parameters table, right, for recommended water quality limitations. If your local water supply does not meet the recommendations in the Water Parameters table, Vulcan may request that a water sample be returned for laboratory testing. After evaluation of the water test, other specific recommendations may be made for additional filtration or water treatment to make the local water supply meet the acceptable limits for use in steam generator equipment.

The recommended incoming flow rate for SPS600V is 2 gallons per minute (7.6 liters per minute). The recommended incoming flow rate for SPS620V is 4 gallons per minute (15.1 liters per minute).

The SPS600V and SPS620V water filters must be protected against freezing. Failure to do so could result in breakage of the filter housing and water leakage.

Minimum operating temperature: 45°F (7°C). Maximum operating temperature: 100°F (38°C).

Minimum operating pressure: 20 psig (138 kPa). Maximum operating pressure: 125 psig (862 kPa).

Minimum line pressure: 40 psig (276 kPa). Maximum line pressure: 125 psig (862 kPa).

If the filter pressure gauge is over 60 psig (414 kPa), you must reduce the pressure to the boiler to a maximum of 60 psig (414 kPa). Install a water pressure reducing regulator (part number 854322 or equivalent) after the filter, move the pressure gauge downstream of the regulator and set the pressure at 60 psig (414 kPa).

Do not use with water that is microbiologically unsafe or of unknown quality without adequate disinfection before or after the filter.

PLUMBING CONNECTIONS

WARNING: PLUMBING CONNECTIONS MUST COMPLY WITH APPLICABLE SANITARY, SAFETY AND PLUMBING CODES.

The filter housing on models SPS600V and SPS620V comes with $\frac{3}{4}$ " NPT internal pipe threads on the inlet side. The inlet is on the left; outlet is on the right, after the pressure gauge and the water meter. The outlet side of the water meter comes with a $\frac{3}{8}$ " NPT internal pipe thread connection.

Connect the incoming cold water line to the water filter's inlet connection (left side).

Connect the incoming water line to the boiler (or steam generator, steamer or combi oven) from the outlet side of the water filter (right side of water meter).

Steamers and combi ovens with two water connections have a boiler or steam generator feed line and a cold water drain line condenser feed line. Connect the drain line condenser feed line to the tee using the $\frac{3}{8}$ " compression fitting for $\frac{3}{8}$ " copper tubing, provided (Fig.1).

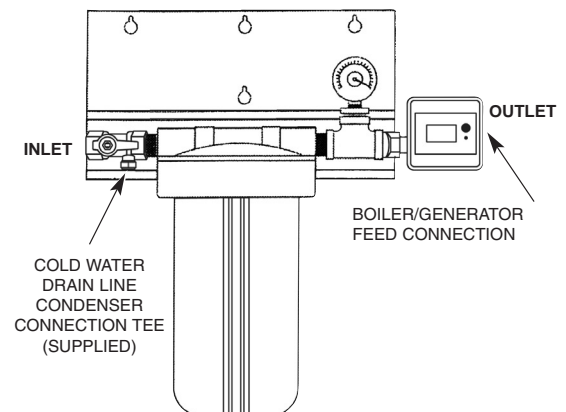


Fig. 1

OPERATION

WATER FILTER

The proper water filter cartridge should already be installed in the filter housing. Make sure the filter housing is firmly screwed into the filter mounting head. Use the supplied wrench if necessary.

Turn on the filter water supply valve.

Press the red pressure relief button on top of the filter mounting head until all air is purged from the filter.

DIGITAL FLOW METER

Installing Batteries (Fig. 2)

Slide off the cover to the battery housing on top of the flow meter. Install two AAA batteries. Slide the cover back.

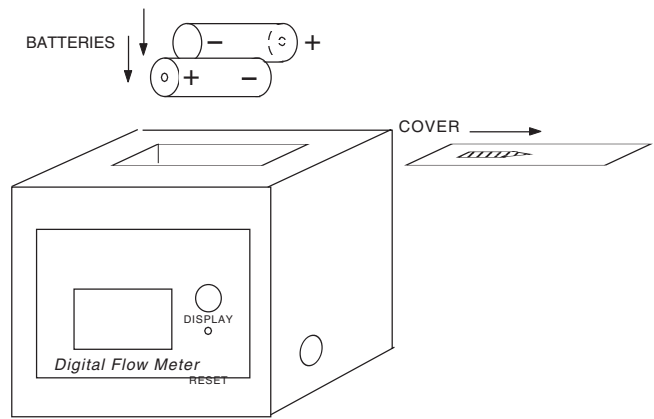


Fig. 2

Capacity and Time

Capacity and Time settings are preset at the factory as indicated in the Capacity & Time table, at right:

CAPACITY & TIME

Model	Capacity gal	Time days
SPS600V	7,500	180
SPS620V	15,000	180

Connection to Water System

The Flow Meter has $\frac{3}{8}$ " NPT female threaded fittings allowing the meter to be connected to the water system using $\frac{3}{8}$ " NPT male threaded fittings.

Operating the Digital Flow Meter

The meter is automatically on when there is water flowing through the sensor. The meter is automatically off when no water is flowing for 10 seconds.

Display Button

Pressing the Display button shows the three values that the flow meter tracks: The flow rate in gallons per minute, the remaining number of days and the remaining gallons.

1.05 g/m	162 days	890 gal
----------	----------	---------

Alarm

The buzzer beeps once and the display flashes to notify you that the filter cartridge will need to be changed soon. This alarm occurs when the capacity goes below 30 gallons or when the remaining time is less than 7 days. The alarm displays when water is flowing through the flow meter or when you press the Display button.

Warning Alarm

When Capacity reaches 0 gallons or Time reaches 0 days, the buzzer beeps twice and the display flashes to notify you to change the water filter cartridge right now. This alarm displays when there is water flowing through the flow meter or when you press the Display button.

Low Battery Alarm

When the battery power is low, the buzzer will beep twice and an icon will display to notify you to change the batteries. Capacity and timing data will be kept in memory when the battery power is low or when the battery is removed and changed.

570 gal

MAINTENANCE

ORDERING PREVENTIVE MAINTENANCE KITS

To order the Preventive Maintenance Kit for your filtration system, contact your Vulcan representative, the Vulcan-Hart Service Department (at the address or phone number on the cover of this document) or visit Vulcan online at www.vulcanhart.com and click on Service.

FILTER CARTRIDGE REPLACEMENT (PM) KITS

Filter Model	Filter Height	ScaleBlocker PM Preventive Maintenance Kit Part Number
SPS600V	10"	854306-4
SPS620V	20"	854306-13

Refer to the part numbers in the table above when ordering. **Only genuine Vulcan water filters can be used to maintain the warranty.**

FILTER SYSTEM MAINTENANCE

Maintenance on the filter, including the use of ScaleBlocker Release and replacement of the filter cartridge, is necessary when the capacity register on the water meter declines to 0.0 gallons or when the time register declines to 0 days (equivalent to six months of usage). Another indicator that maintenance is necessary is if the filter pressure gauge declines to 20 psig (138 kPa).

NOTE: Failure to follow use, care and maintenance instructions may void your Vulcan equipment warranty.

If the filter is to be installed on a steamer or combi oven that has been in use for a period of time, before installing the filter, delime per the equipment's *Installation & Operation* manual.

After installation of the filter on a used or new steamer it is necessary that you follow the instructions in the filter cartridge replacement and preventive maintenance kit and do not delime per the instructions in the equipment's *Installation & Operation* manual.

If the filter is being installed on a new combi oven, maintenance on the filter is necessary when the capacity register on the water meter declines to 0.0 gal (0.0 liter) or when the time register on the water meter declines to 0 days (equivalent to six months of usage). Another indicator that maintenance is necessary is if the filter pressure gauge declines to 20 psig (138 kPa). For the combi oven, follow the Clean Cycle Deliming Procedure in the equipment *Installation & Operation* manual along with the instructions in the ScaleBlocker PM Filter Cartridge Replacement Kit.

REMOVING THE FILTER CARTRIDGE

Turn off the steamer or combi oven. Shut off the incoming water supply valve to the water filter. Press the red pressure relief button on the filter mounting head to release the water pressure in the filter housing. Unscrew the lower filter housing using both hands or use the wrench supplied. Use care. The lower housing will be loaded with water and can be heavy.

Inspect the O-Rings: One O-Ring is a large black rubber gasket that fits in the groove on top of the filter cartridge housing. Two small white O-Rings are located on the top and bottom of the filter cartridge. New O-Rings are supplied with the replacement water filter cartridge (ScaleBlocker PM Preventive Maintenance Kit — be sure to mention the model number when ordering).

The large black O-Ring seal may lift out of the groove and stick to the filter mounting head. One of the small white O-Rings may stay in the bottom of the filter housing. Discard the used filter cartridge.

USING SCALEBLOCKER RELEASE™

Do not use alcohol-based cleaners. Clean the inside of the filter housing with a mild soap. Inspect the O-Rings for damage and replace if necessary.

Wipe the large black O-Ring clean with a rag, press it down into the groove and then apply a very light coating of white petroleum jelly (Vaseline). Make sure the O-Ring fits in the groove and is properly seated each time the filter is reassembled, otherwise a water leak could occur.

With the filter removed, insert the dip tube into the housing cap. Pour the contents of both ScaleBlocker Release packages 2 lbs. total (0.746 kg) into the bowl of the lower filter housing. Add warm water, stir to dissolve.

Using the supplied wrench, screw the lower filter housing into the filter mounting head until a definite stop is felt.

On combi ovens, follow the Clean Cycle Deliming Procedure in the *Installation & Operation* manual (on older model combi ovens, follow the deliming procedure in the manual shipped with the oven).

On steamers, turn on the filter water supply valve and turn the steamer on. Allow the steamer to operate so steam is flowing through the compartments for approximately 35 minutes. Turn the steamer off.

On steamers and combi ovens, turn off the incoming water supply valve to the filter. Press the red pressure relief button on top of the filter mounting head to release pressure in the system. Unscrew the lower filter housing and dump out the water. Replace the filter cartridge.

RETEST THE WATER AND RETURN THE RESPONSE CARD

Test the incoming unfiltered water supply with the enclosed 4-IN-1 City Water Check test strip by carefully following the instructions on the package. Record the results on the enclosed Filter Registration Card. **Use the Vulcan-Hart equipment model and serial number, not the filter system model/ serial number.** Fill the registration card out completely and return the information to Vulcan in one of the following three ways: Mail the postage-paid self-addressed card to Vulcan, FAX the completed card per instructions on the card or contact Vulcan online at www.vulcanhart.com, select the Service tab and answer all the necessary questions.

NOTE: Returning the Filter Registration Card is required at the time the PM is performed to continue warranty coverage on the equipment installed with the filter.

REPLACING THE FILTER CARTRIDGE

Make sure the large black O-Ring and the two flat white rubber washers are in their proper place when the new filter cartridge is installed and the lower housing is reassembled to the filter mounting head. Make sure the filter cartridge is oriented so the hole in the middle of the top is up. Make sure the lower flat washer is properly positioned as the cartridge is lowered. Make sure the upper white flat washer is over the top hole of the filter cartridge. Make sure the large black O-Ring is properly seated in the groove. Using the supplied wrench, screw the lower filter housing into the filter mounting head until a definite stop is felt and the filter cartridge is sealed.

Make sure the boiler tank has completely drained.

Turn on the incoming water supply valve to the filter. Press the red pressure relief button on top of the filter mounting head until all the air is purged from the filter. Depress the water meter reset button using a blunt object such as a paper clip.

TROUBLESHOOTING

SYMPTOM	POSSIBLE CAUSE	SUGGESTED CORRECTIVE ACTION
Short filter life.	Filter clogs due to excessive particles in water. Low incoming water pressure. Excessively hard water or water quality beyond specification. Filtered water not going to boiler feed line. A leaking Fill Valve on the steamer equipment will deplete the filter quickly.	An additional filter may be needed. Check water source. Additional water treatment may be needed before filter. Check plumbing lines. Contact Service (to replace valve) if water is flowing through the filter when the steamer is off.
Steamer not operating.	Incoming water supply valve off. Filter cartridge installed upside-down. Steamer not turned on.	Turn supply valve on. Reinstall filter right side up. Turn steamer on.

SERVICE AND PARTS INFORMATION

To obtain service and parts information concerning this water filtration system, contact the Vulcan-Hart Service Department at the address or phone number shown on the front cover of this manual or visit Vulcan online at www.vulcanhart.com and click on Service.

Model SPS600V, Part No. 854893-1

Part No.	Name	Qty.
854306-1	Backplate	1
854893-5	Clear Housing, 10"	1
854306-3	U-Bracket, Large	1
854893-8	O-Ring, Large, Black	1
854893-24	Brass Ball Valve, 3/4"	1
854893-12	3/8" Tubing Connector	1
FP-069-02	Tee Pipe Fitting, Stainless Steel, Internal Threads, 3/4"	1
FP-081-25	Pipe Bushing, Stainless Steel, 3/4" x 1/4"	1
854306-9	Brass Pressure Gauge	1
FP-041-54	Nipple, Brass, 3/4" x 2	1
FP-054-29	Nipple, Stainless Steel, 3/4" x 2	1
854893-25	Reducer, Plastic, 3/4" to 3/8"	1
854893-26	Nipple, Plastic, 3/8" x 1 1/2"	1
854893-22	Wrench (10") for Housing	1
854306-19	4-IN-1 City Water Check + Test Strip	1
854893-3	Filter Mounting Head, Red	1
854893-28	Dip Tube, 10"	1
854893-20	Label, Backplate, SPS600V	1
	Filter, 10"	1
854893-14	Flat Washer, Small White (Bottom)	1
854893-15	Flat Washer, Small White (Top)	1
854893-11	Water Flow Meter	1
F-32553	Filter Registration Card	1
F-31228	I & O Manual	1
Service Kit		
854306-4	ScaleBlocker PM Kit, 10"	1

Model SPS620V, Part No. 854893-2

Part No.	Name	Qty.
854306-1	Backplate	1
854893-7	Clear Housing, 20"	1
854306-3	U-Bracket, Large	1
854893-8	O-Ring, Large, Black	1
854893-24	Brass Ball Valve, 3/4"	1
854893-12	3/8" Tubing Connector	1
FP-069-02	Tee Pipe Fitting, Stainless Steel, Internal Threads, 3/4"	1
FP-081-25	Pipe Bushing, Stainless Steel, 3/4" x 1/4"	1
854306-9	Brass Pressure Gauge	1
FP-041-54	Nipple, Brass, 3/4" x 2	1
FP-054-29	Nipple, Stainless Steel, 3/4" x 2	1
854893-25	Reducer, Plastic, 3/4" to 3/8"	1
854893-26	Nipple, Plastic, 3/8" x 1 1/2"	1
854893-23	Wrench (20") for Housing	1
854306-19	4-IN-1 City Water Check + Test Strip	1
854893-3	Filter Mounting Head, Red.	1
854893-29	Dip Tube, 20"	1
854893-21	Label, Backplate, SPS620V	1
	Filter, 20"	1
854893-14	Flat Washer, Small White (Bottom)	1
854893-15	Flat Washer, Small White (Top)	1
854893-11	Water Flow Meter	1
F-32553	Filter Registration Card	1
F-31228	I & O Manual	1
Service Kit		
854306-13	ScaleBlocker PM Kit, 20"	1