



# REFRIGERATION

## Freestanding 36"W. French-Door Bottom-Mount Refrigerator/Freezer



### Standard Features & Accessories

#### Models include

- Total capacity—19.6 cu. ft. (545.7 L)
- 72"H./24"D.
- "Cabinet depth" design (24"D. side panels) integrates with surrounding cabinetry—fit for replacement of most existing appliances
- Electronic controls with digital readouts maintain the temperature selection
- Frost-free refrigerator
  - o Capacity—14.1 cu. ft. (399 lit.)
  - o Four slide-out adjustable tempered glass spillproof shelves
  - o One stationary glass shelf
  - o Temperature adjustable Meat Savor™/produce drawer
  - o Two moisture adjustable see-through produce drawers
- o In-the-door dairy compartment with cover
- o Five large door bins (two bins store gallon containers)
- o Internal filtered water dispensing
- o Water filter indicator light (illuminates when filter needs to be replaced)
- o See-through egg bin with carrier holds up to 24 eggs
- o Glass butter tray with cover
- Frost-free freezer
  - o Capacity—5.5 cu. ft. (156 lit.)
  - o Adaptive defrost
  - o Factory-installed automatic ice maker
  - o Two slide-out baskets
  - o Max ice feature
- Open door alarm sounds to warn that door has been ajar for five minutes
- High temperature alarm
- Vacation mode

### Model Options



**VCFF036\***  
**Professional**



**DDFF036\***  
**Designer**

#### FINISH DETAILS FOR BOTH MODELS

- Stainless Steel (SS)
- Finish code designates door fronts. Black cabinet sides and top.

\*Shown throughout with top grille kits. See **Installation Notes & Accessories** for details.





# REFRIGERATION



## Freestanding 36"W. French-Door Bottom-Mount Refrigerator/Freezer

★ Please see Installation Notes & Accessories for important information, including water filter, handle, trim and top grille kits.

### Dimensions & Specifications

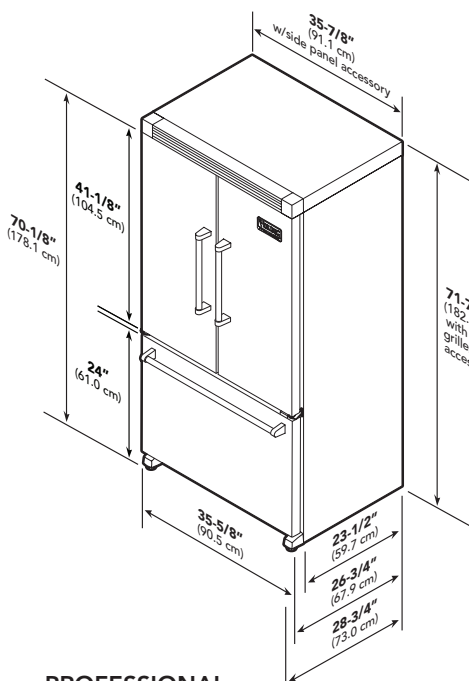
#### PRODUCT DIMENSIONS



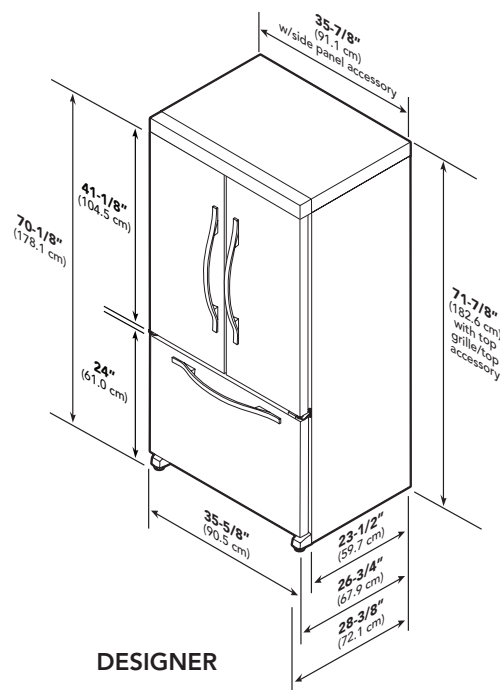
**VCFF036**  
Professional



**DDFF036**  
Designer



**PROFESSIONAL**



**DESIGNER**

	<b>VCFF036</b>	<b>DDFF036</b>
Overall width	<b>35-5/8" (90.5 cm)</b>	
Addition of side panels	<b>35-7/8" (91.1 cm)</b>	
Overall height (from bottom)	<b>70-1/8" (178.1 cm)</b>	
Addition of tops/grilles	<b>71-7/8" (182.6 cm)</b>	
Overall depth (from rear)		
To front of door	<b>23-1/2" (59.7 cm)</b>	
To front of handle	<b>26-3/4" (67.9 cm)</b>	
To front of grille	<b>28-3/4" (73.0 cm)</b>	<b>28-3/8" (72.1 cm)</b>
Approx. ship weight	<b>327 lbs. (148.7 kg)</b>	





VIKING  
DESIGNER

# REFRIGERATION

## Freestanding 36"W. French-Door Bottom-Mount Refrigerator/Freezer



### Dimensions & Specifications

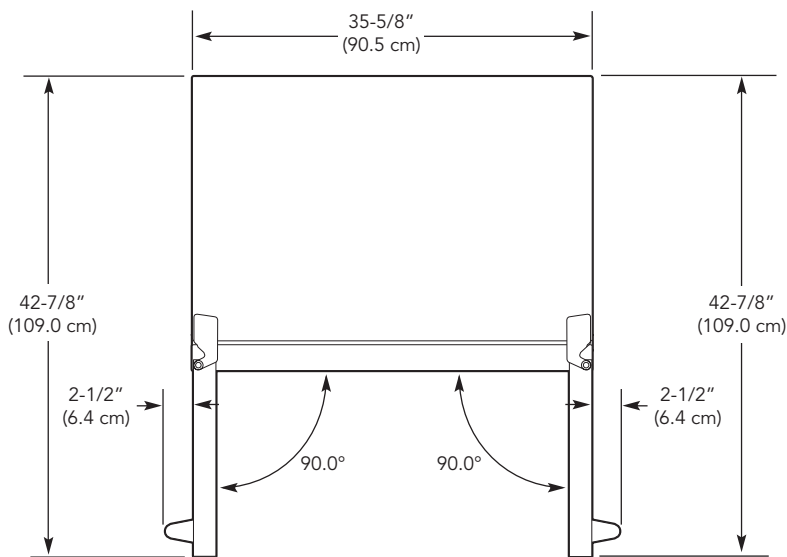
#### DOOR SWING



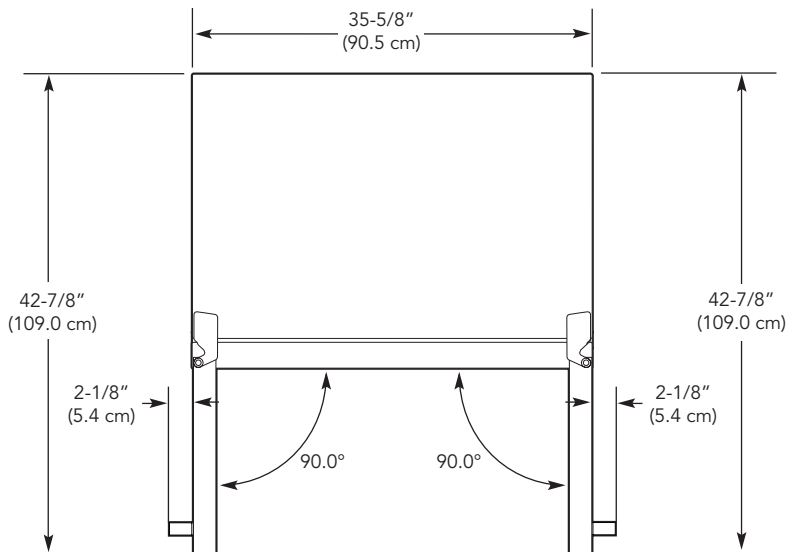
VCFF036  
Professional



DDFF036  
Designer



PROFESSIONAL



DESIGNER





### UTILITY REQUIREMENTS



**GAS**  
Not applicable



### ELECTRICAL

- Three-wire cord with grounded three-prong plug attached to product. Do not use an extension cord or adapter plug for a two-prong receptacle—call a qualified electrical installer.
  - o 115V/60 Hz; 15 amp dedicated circuit
  - o Maximum amp usage—7.9
  - o Estimated energy usage—481 kWh/year



### PLUMBING

- Inlet waterline requirements—1/4" copper tubing
  - o 35 psi min.;
  - o 100 psi max.

## Installation Requirements

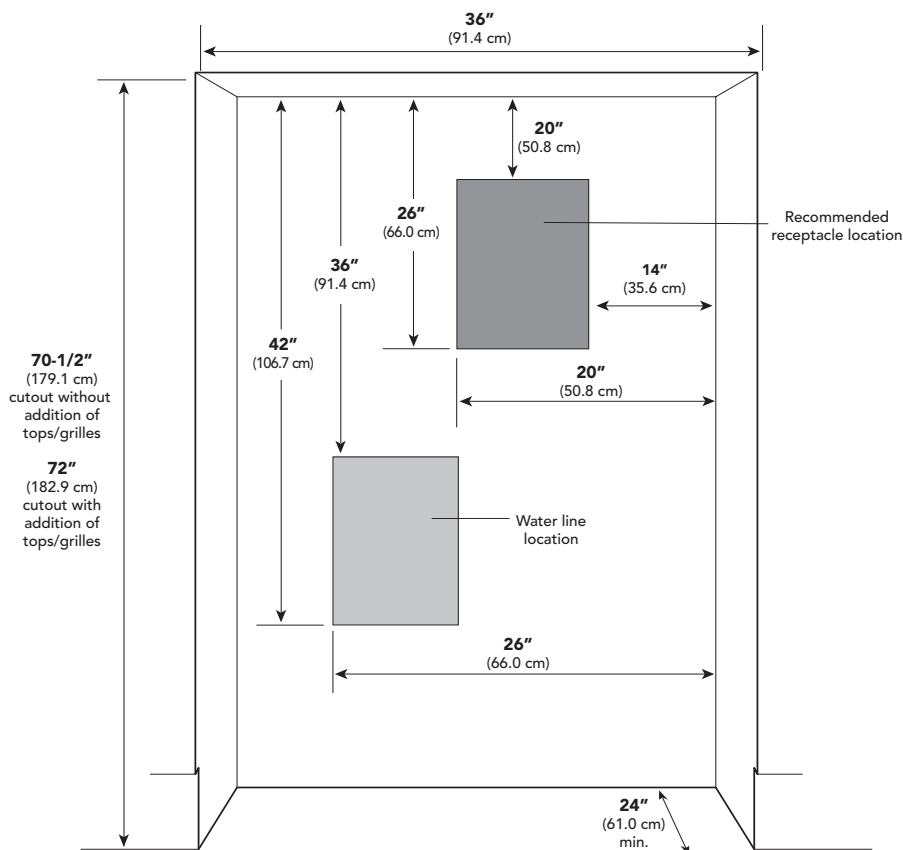
### ACCESS REQUIREMENTS



**VCFF036**  
Professional



**DDFF036**  
Designer



When installing into a cutout, the edge of the door must be 2-7/8" (7.3 cm) from the adjacent countertop cabinet.

Allow 1/2" (1.3 cm) space at top and 1/2" (1.3 cm) behind the machine compartment cover (located in the rear) for proper air circulation. Sub-flooring or floor coverings (i.e. carpet, tile, wood floors, rugs) may make your opening smaller than anticipated. Some clearance may be gained by using the leveling procedure under **Leveling** in the Installation Guide.

All models	
Cutout width	<b>36" (91.4 cm)</b>
Cutout height	<b>70-1/2" (179.0 cm)</b>
Addition of tops/grilles	<b>72" (182.9 cm)</b>
Cutout depth	<b>24" (61.0 cm)</b>



# REFRIGERATION

## Freestanding 36"W. French-Door Bottom-Mount Refrigerator/Freezer



### ★ Installation Notes & Accessories

#### Side Trim Kit

- Stainless Steel finish
- Provides "built-in" look when used with a top grille kit

Model	Description	Approx. ship wt. lbs. (kg)
FRSTKF	French door bottom-mount side trim kit	13 (5.9)

#### Top Grille Kits

- Stainless Steel finish
- Provides "built-in" look when used with a side trim kit; provides "wrapped" look when used with side panel and top kits

Model	Description	Approx. ship wt. lbs. (kg)
PFRGKFS	Professional french door bottom-mount grille kit	10 (4.5)
DFRGKFS	Designer french door bottom-mount grille kit	10 (4.5)

#### Side Panel Kit

- Stainless Steel finish
- Provides "wrapped" look when used with top grille and top kits
- Side panel kits include panels for both sides

Model	Description	Approx. ship wt. lbs. (kg)
FRSPKF	French door bottom-mount side panel kit	60 (27.0)

#### Top Kit

- Stainless steel finish
- Provides "wrapped" look when used with side panel and top grille kits

Model	Description	Approx. ship wt. lbs. (kg)
FRTOP	French door bottom-mount top kit	19 (8.6)

#### Replacement Water Filter

- Replaces water filter cartridges supplied with freestanding refrigerator/freezers
- Reduces sediment, bad taste and odor
- Reduces cysts, particulates, turbidity, lead, chlorine, atrazine and lindane
- NSF certified
- Ready to install—no assembly required

Model	Description	Approx. ship wt. lbs. (kg)
RWF-FR	Replacement water filter	5 (2.3)

#### Brass Handle Kits

- Replaces handles supplied with unit for brass trim
- French door kits include three handles

Model	Description	Approx. ship wt. lbs. (kg)
PFRHKFBR	Professional french door handle kit	15 (6.8)
DFRHKFBR	Designer french door handle kit	15 (6.8)

#### Compliance Information



#### WARRANTY SUMMARY\*

- Two-year full warranty—complete unit
- Six-year full warranty—sealed refrigeration system (includes compressor, condenser, dryer/strainer, evaporator, and connecting tubing)
- Twelve-year limited warranty—sealed refrigeration system
- Ninety-day limited warranty—cosmetic parts such as glass, painted items, and decorative items

\*For complete warranty see *Use & Care Guide*. Warranty valid on Viking products shipped within the United States and Canada.

