



## Standard Features & Accessories

### All models include

- Drawer capacity
  - 27"W. models—1.4 cu. ft.—425 watts
    - 17-1/4"W. x 6"H. x 22-3/4"D.
  - 30"W. models—1.6 cu. ft.—450 watts
    - 20-1/2"W. x 6"H. x 22-3/4"D.
  - 36"W. models—2.0 cu. ft.—550 watts
    - 25"W. x 6"H. x 22-3/4"D.
- Temperature settings 90°F – 250°F
  - Low setting is ideal for platewarming or breadproofing
  - High setting keeps soups and sauces piping hot
- Versatile moisture-selector control regulates the amount of moisture released from drawer (not available on custom front models)
- **Exclusive**—two half-sized low racks
  - Stainless steel low racks with slots for heat distribution
  - Racks cover entire bottom of pan for the largest loads or for only half coverage by removing one section

- **Exclusive**—moisture cup
  - Moisture cup holds water to increase interior humidity
- Entire drawer removes for easy cleaning
- Stainless steel roller bearing glides for smooth drawer operation
- Power on indicator light cycles on and off with heating element

### Professional models include

- Commercial-type size, construction, design, and styling
  - Heavy-duty drawer handle and perimeter trim
  - Large, easy-to-read, commercial-type knob (hidden when door is closed)
- Model numbers
  - VEWD173—27"W.
  - VEWD103—30"W.
  - VEWD163—36"W.

### Designer models include

- Professional construction and design
  - Styling matches other Designer products
  - Ergonomically designed handle
- Model numbers
  - DEWD171—27"W.
  - DEWD101—30"W.

### Custom front models include

- Blends seamlessly into cabinetry with locally supplied front panel
- Accessory options include Professional Series handle, Designer Series handle, or custom handle.
- Model numbers
  - DFWD171—27"W.
  - DFWD101—30"W.

## Model Options



VEWD173/103/163 Professional Warming Drawer

### FINISH DETAILS FOR PROFESSIONAL MODELS

- Stainless Steel (SS), Black (BK), White (WH), Metallic Silver (MS), Graphite Gray (GG), Stone Gray (SG), Taupe (TP), Biscuit (BT), Cotton White (CW), Oyster Gray (OG), Golden Mist (GM), Lemonade (LE), Sage (SA), Mint Julep (MJ), Sea Glass (SE), Iridescent Blue (IB), Viking Blue (VB), Pumpkin (PM), Racing Red (RR), Apple Red (AR), Burgundy (BU), Plum (PL), Chocolate (CH), and Cobalt Blue (CB).
  - Finish designates drawer and control panel fronts. Black knob.
- White (WH)
  - Finish designates drawer and control panel fronts. White knob.
- Silver finished vertical/horizontal trim, with stainless steel handle with chrome-plated brackets.
- Brass Trim Option (BR)—nameplate, drawer handle/brackets, and knob bezel. Brass components have a durable protective coating for maintenance-free normal use.



DEWD171/101 Designer Warming Drawer

### FINISH DETAILS FOR DESIGNER MODELS

- Stainless Steel (SS), Black (BK), White (WH), Metallic Silver (MS), Graphite Gray (GG), Stone Gray (SG), Taupe (TP), Biscuit (BT), Cotton White (CW), Oyster Gray (OG), Golden Mist (GM), Lemonade (LE), Sage (SA), Mint Julep (MJ), Sea Glass (SE), Iridescent Blue (IB), Viking Blue (VB), Pumpkin (PM), Racing Red (RR), Apple Red (AR), Burgundy (BU), Plum (PL), Chocolate (CH), and Cobalt Blue (CB).
  - Finish designates door panel, stainless steel knob, and handle. Black knob grips.
- White (WH)
  - Finish designates door panel, stainless steel knob, and handle. Gray knob grips.
- Brass Trim Option (BR)—handle and knobs. Brass components have a durable protective coating for maintenance-free normal use.



DFWD171/101 Custom Front Warming Drawer

### FINISH DETAILS FOR CUSTOM FRONT MODELS

- 3/4" thick custom panel
- See **Installation Notes & Accessories** for handle kits.
- See **Custom Panels** section for more information and additional specifications.

### ORDERING INSTRUCTIONS

First specify model number, and then color code (VEWD173SS). If ordering optional brass trim, specify code at end (VEWD173SSBR).





# Professional & Designer Built-In Electric 27"/30"/36"W. Warming Drawer

★ Please see Installation Notes and Accessories for important information, including handle kits and pan/lid set.

## Dimensions & Specifications

### PRODUCT DIMENSIONS & DOOR SWING



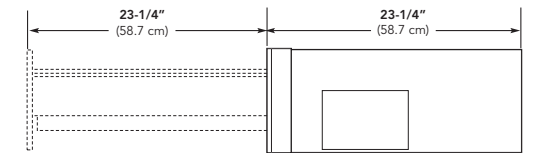
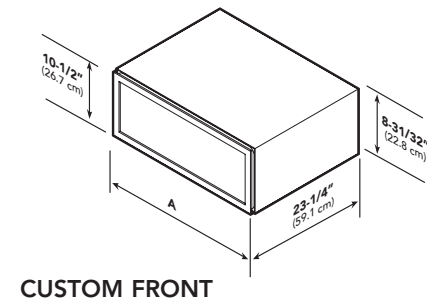
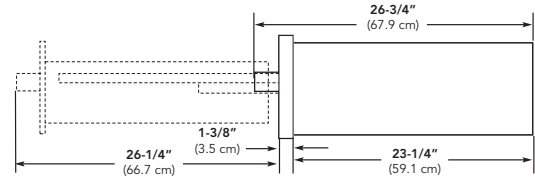
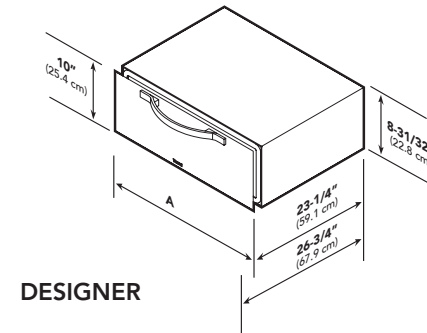
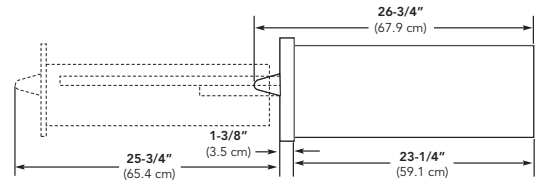
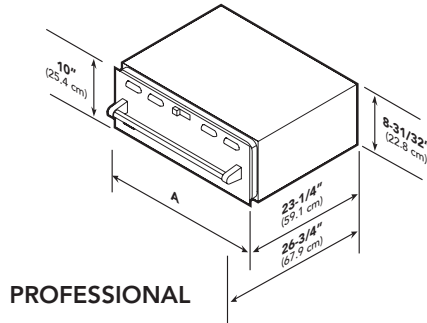
**VEWD173/103/163**  
Professional  
Warming Drawer



**DEWD171/101**  
Designer  
Warming Drawer



**DFWD171/101**  
Custom Front  
Warming Drawer



|                              | <b>VEWD173/103/163</b>                                     | <b>DEWD171/101</b>                      | <b>DFWD171/101</b>                      |
|------------------------------|--|---|---|
| Overall width (A)            | 26-1/2" (67.3 cm)/29-1/2" (74.9 cm)/<br>35-1/4" (89.5 cm)  | 26-1/2" (67.3 cm)/<br>29-1/2" (74.9 cm) | 26" (66.0 cm)/<br>29" (73.7 cm)         |
| Overall height (from bottom) | 10" (25.4 cm)  | 10" (25.4 cm)                           | 10-1/2" (26.7 cm)                       |
| Overall depth (from rear)    |  |   |   |
| To end of handle             |  | <b>26-3/4" (67.9 cm)</b>                |   |
| With drawer fully extended   | 50-3/8" (128.0 cm)   | 50-7/8" (129.2 cm)                      | 46-1/2" (118.1 cm)                      |
| Interior width               | 17-1/4" (43.8 cm)/20-1/2" (52.1 cm)/<br>25" (63.5 cm)      | 20-1/2" (52.1 cm)/<br>17-1/4" (43.8 cm) | 17-1/4" (43.8 cm)/<br>20-1/2" (52.1 cm) |
| Interior height              |  | <b>6" (15.2 cm)</b>                     |   |
| Interior depth               |  | <b>22-3/4" (27.8 cm)</b>                |   |
| Approx. ship weight          | 80 lbs. (36.0 kg)/90 lbs. (40.5 kg)/<br>110 lbs. (49.5 kg) | 80 lbs. (36.0 kg)/<br>90 lbs. (40.5 kg) | 80 lbs. (36.0 kg)/<br>90 lbs. (40.5 kg) |




**UTILITY  
REQUIREMENTS**

**GAS**

- Not applicable


**ELECTRICAL**

- Hardwire direct with separate 15-amp minimum 2-wire with ground circuit
- 120 VAC/50 – 60 Hz
- Maximum amp usage—
  - o 27"W. models—3.6 (425 watts)
  - o 30"W. models—3.8 (450 watts)
  - o 36"W. models—4.6 (550 watts)


**PLUMBING**

Not applicable

**Installation Requirements**
**ACCESS REQUIREMENTS**

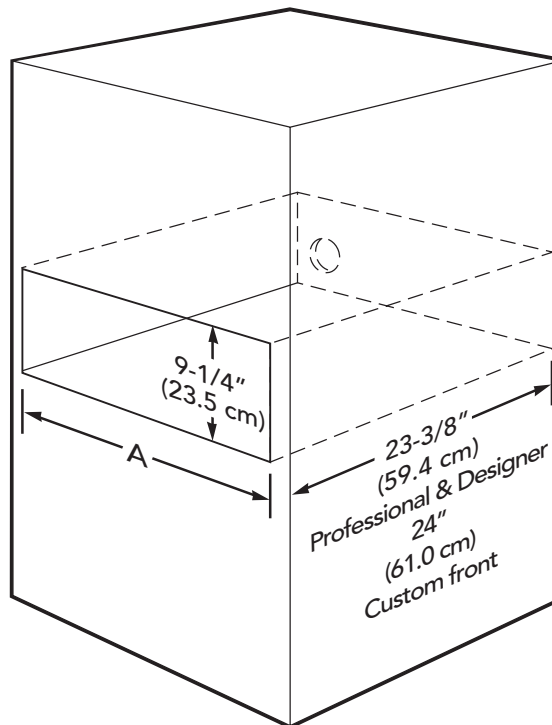

**VEWD173/103/163**  
Professional  
Warming Drawer



**DEWD171/101**  
Designer  
Warming Drawer



**DFWD171/101**  
Custom Front  
Warming Drawer



|                  | <b>VEWD173/103/163</b>                                | <b>DEWD171/101</b>                      | <b>DFWD171/101</b>                      |
|------------------|---|---|---|
| Cutout width (A) | 25-1/4" (64.1 cm)/28-1/4" (71.8 cm)/<br>34" (86.4 cm) | 25-1/4" (64.1 cm)/<br>28-1/4" (71.8 cm) | 25-1/4" (64.1 cm)/<br>28-1/4" (71.8 cm) |
| Cutout height    | 9-1/4" (23.5 cm)                                      | 9-1/4" (23.5 cm)                        | 9-5/8" (24.4 cm)                        |
| Cutout depth     | 23-3/8" (59.4 cm)                                     | 23-3/8" (59.4 cm)                       | 24" (61.0 cm)                           |



## ✦ Installation Notes & Accessories

### Handle Kits

- For use with custom front (DFWD) warming drawers
- For use on locally supplied full overlay panels
- Handles allow full overlay products to coordinate with other Professional & Designer products
- Kit includes one handle and installation hardware

| Model    | Description   | Approx. ship wt. lbs. (kg) |
|----------|---|----------------------------|
| PHK23-SS | Professional handle for DFWD170/100 (Stainless Steel) | 5 (2.3)                    |
| PHK23-BR | Professional handle for DFWD170/100 (Brass)           | 5 (2.3)                    |
| DKH18-SS | Designer handle for DFWD170 (Stainless Steel)         | 5 (2.3)                    |
| DKH18-BR | Designer handle for DFWD170 (Brass)                   | 5 (2.3)                    |
| DKH20-SS | Designer handle for DFWD100 (Stainless Steel)         | 5 (2.3)                    |
| DKH20-BR | Designer handle for DFWD100 (Brass)                   | 5 (2.3)                    |

### Pan/Lid Set

- Five heavy-gauge stainless steel commercial pans with lids
  - Two 2-1/2"D. by 12"L. by 7"W. pans
  - Two 4"D. by 12"L. by 7"W. pans
  - One 4"D. by 12"L. by 10-1/2"W. pan

| Model    | Description | Approx. ship wt. lbs. (kg) |
|----------|-------------|----------------------------|
| PAN-VEWD | Pans/lids   | 10 (4.5)                   |

### Compliance Information



### WARRANTY INFORMATION\*

- One-year full warranty—complete product
- Five-year limited warranty—electric elements
- Ninety-day limited warranty—cosmetic parts such as glass, painted, and decorative items

\*For complete warranty see Use & Care Guide. Warranty valid on Viking products shipped within the United States and Canada.

