

SmartLight™ | Clip

Productivity Lamp

Model: VC02

Job#: 0.0637	Title: VC02 Manual Update
Date: 01/29/13	Version: Rev6



Dear Customer,

Thank you for purchasing the Verilux SmartLight™ Natural Spectrum® Clip Lamp. You now own an innovative product, manufactured to the highest standards and backed by a one-year limited warranty.

Many other healthy-lighting products are available through our catalog and online. Visit us on the web at www.verilux.com to request a free catalog and learn more about all our quality Verilux products, or call us toll-free at 1-800-454-4408.

As a Verilux customer, your satisfaction means everything to us. We look forward to serving you now and in the future.

Have a bright day!

A handwritten signature in black ink that reads "Nicholas Harmon". The signature is written in a cursive, flowing style.

Nicholas Harmon
President, Verilux, Inc.

READ ALL INSTRUCTIONS BEFORE USING

Important Safeguards

▲ DANGER:

- To avoid electrocution, do not operate this lamp near water.

▲ WARNING:

- Do not use with power supply voltage other than 120 VAC.
- Do not defeat the the safety purpose of the polarized plug. A polarized plug has two blades with one wider than the other. The wider blade is provided for your safety. If the provided plug does not fit into your outlet, consult an electrician for replacement of the obsolete outlet.
- To prevent risk of shock or personal injury when cleaning these lamps, make sure you have turned off and unplugged them, and allow sufficient time for the bulbs to cool.
- Do not operate lamp in close proximity to flammable or combustible vapors, such as aerosol spray products, or where oxygen is being administered.
- Do not cut or shorten the power cord.
- Do not block vents. Vents are necessary for proper function of the electronic ballast blocking them may cause overheating of the electronics and increase risk of fire.
- The bulb in this product contains a trace amount of mercury, a chemical known to the state of California to cause birth defects or other reproductive harm. This substance may also cause injury if inhaled or ingested.
- Some people may experience light sensitivity to fluorescent lighting. Discontinue use if you experience any discomfort.
- Certain drugs may induce light sensitivity (e.g., anti-depressants) which may result in discomfort or a level of hyperactivity. Consult with your health care provider before using this product.
- If you have a pre-existing eye condition, consult with your health care provider before using this product.

▲ CAUTION:

- For indoor use only.
- Always unplug lamp before performing bulb replacement or installation.
- This lamp is not for use with light dimmers, timers, motion detectors, voltage transformers or extension cords.
- This product may cause interference with radios, cordless telephones or devices that use a wireless remote control, such as televisions. If interference occurs, move the product away from the device, plug the

Job#: 0.0637	Title: VC02 Manual Update
Date: 01/29/13	Version: Rev6

Important Safeguards — continued

▲ CAUTION: — continued

product or device into a different outlet or move the lamp out of the line of sight of the remote control receiver.

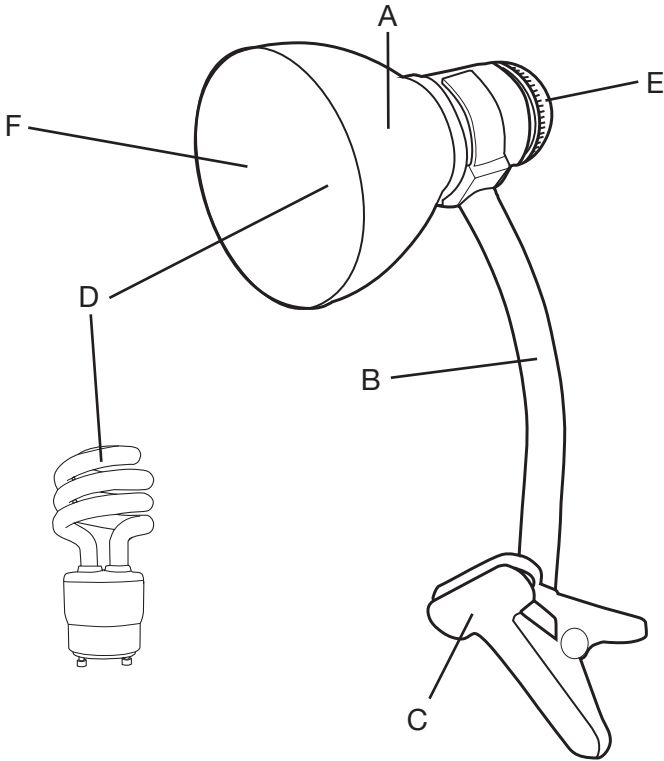
- If this lamp has been damaged in any way, for example, the power supply cord or plug has been damaged, liquid has been spilled or objects have fallen onto the lamp, the lamp has been exposed to rain or moisture, the lamp does not operate normally or has been dropped, it should not be operated. There are no user serviceable parts in this lamp.
- Unplug lamp during lightning storms or when unused for extended periods of time.
- Use only the type of bulb and maximum wattage indicated by Verilux.
- Use the vertical shaft to lift the lamp.
- Protect the power cord from being walked on or pinched, particularly at the plugs, convenience receptacles and the point where the power cord exits the the lamps.
- Never cover the lamp or place anything on top of it when it is in operation.
- Do not use solvents or cleaners containing abrasives, or ammonia based cleaners on this product.
- After cleaning the lamp, all moisture should be properly wiped away and dried before restoring power.
- Do NOT use lubricating agent in assembly; please see troubleshooting section if you are having difficulty assembling your lamp.
- Disconnect lamp before performing alignment activity.
- Dispose of bulbs per local regulations. For more information on clean-up and disposal, see www.epa.gov/cfl.

SAVE THESE INSTRUCTIONS

Getting Started

Main Parts and Controls

- A. Lamp Head
- B. Gooseneck
- C. Clip
- D. Bulb
- E. On/Off Switch
- F. Optix® Lens Cover



Job#: 0.0637	Title: VC02 Manual Update
Date: 01/29/13	Version: Rev6

Why the Name “Productivity Lamp”?

When it comes to maximizing work, study or task time, the SmartLight™ is the perfect partner. This lamp is designed with Verilux’s patented Natural Spectrum Daylight, a type of full spectrum lighting that replicates key wavelengths of natural daylight, to help you read faster with greater comprehension, work longer without eyestrain, and improve productivity and focus.

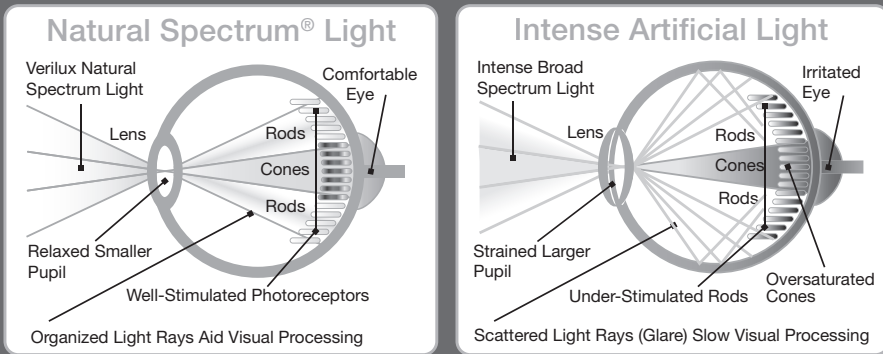
Research using full spectrum lighting in a school setting resulted in significantly greater student achievement when compared to other light sources. And naturally lit study environments have also proven to positively impact students’ abilities to understand study materials, resulting in increased math and reading test scores.

The SmartLight combines more than 50 years of research to scientifically tune light to the needs of the human eye. At home, college or office, the SmartLight is the perfect productivity partner.

Scientifically Tuned to the Human Eye™

Verilux Natural Spectrum light is just the right kind of illumination, easily absorbed by the eye, efficiently cueing the body to improve mood, energy and function while reducing light sensitivity, eyestrain and fatigue.

Verilux Natural Spectrum light illuminates in the specific scotopic range, with the right mix of color and intensity to better stimulate your eyes’ photoreceptors, known as “cones” and “rods.” Like daylight, this spectrally enhanced light allows optimum visual stimulation without oversaturation or glare.



Measuring Verilux light with an advanced scotopic light meter quickly shows why Natural Spectrum Illumination is superior. With a high scotopic content and fewer unwanted light rays, all of the eye’s photoreceptors are properly stimulated. This relaxes the eye muscles and protects against potentially harmful over stimulating light that irritates the eye and slows visual processing. It’s just the right light in just the right amount to maximize your enjoyment and productivity.

Bulb Replacement Instructions

Removal

1. Unplug lamp from power source and, if necessary, allow time for the bulb to cool.
2. Hold the metal lamp shade and turn it counterclockwise. (See Fig. 1.) Carefully pull the shade over the bulb and set the shade aside.
3. Hold the lamp and twist the bulb counterclockwise, as you would a conventional light bulb.

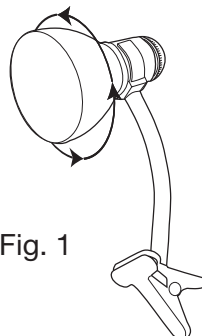


Fig. 1

Installation

1. Unplug lamp from power source.
2. Hold the lamp and align the two pins on the bottom of the bulb with the corresponding openings in the bulb base. (Either pin in either opening is fine. See Fig. 2.)

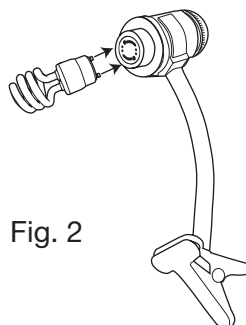


Fig. 2

▲ CAUTION: Always unplug lamp before performing bulb replacement or installation.

Troubleshooting

Before requesting service on your Verilux® lamp, please:

- Make sure all power connectors, cords and plugs are inserted fully and securely.
- Be sure the bulb is securely seated into the socket. (See page 7.)
- Make sure there is power to the wall outlet, or try another one.

PROBLEM	CHECK	SOLUTION
Light Won't Come On	Has the plug come loose?	Insert plug securely into wall outlet.
	Is the bulb old?	Check bulb for blackening/darkening at bottom of spiral where it joins the base (an indicator of bulb life) and replace bulb.
	Is the bulb connected securely into socket?	Be sure the bulb is securely seated in the socket. Repeat the bulb installation process. ⚠ CAUTION: DISCONNECT LAMP FROM OUTLET PRIOR TO REPEATING THE BULB INSTALLATION PROCESS.
Blackening/Darkening at Ends of Bulb	Is the bulb new?	Sometimes when a new bulb is turned on for the first time the tubing will darken, but this will fade after a few minutes.
	Is the bulb old?	With older bulbs, darkening of the tubing indicates end of bulb life. (This doesn't affect operation except to reduce the amount of light available, since the phosphor in that area has become inactive.) Bulb replacement is recommended.
Light Flickers	Has the plug come loose?	Insert plug securely into wall outlet.
	Is the bulb connected securely to the socket?	Be sure the bulb is securely seated into the socket. Repeat the bulb installation process. ⚠ CAUTION: DISCONNECT LAMP FROM OUTLET PRIOR TO REPEATING THE BULB INSTALLATION PROCESS.
	Is the lamp connected to a dimmer switch?	Connect lamp plug only to wall outlet without dimmer switch.

Care and Cleaning

Your lamp is made from high-quality materials that will last for many years with minimum care. You may want to periodically clean the lamp using a mild non-abrasive cleaner and soft cloth. When cleaning, make sure you have turned off and unplugged the unit and allowed sufficient time for the unit to cool.

⚠ CAUTION: Do not use solvents or cleaners containing abrasives, or ammonia-based cleaners.

⚠ CAUTION: After cleaning the lamp wipe away and dry all moisture to restoring power.

Component Order Form

Order Online at [www.verilux.com/replacement bulb](http://www.verilux.com/replacement%20bulb)

Mail or Fax your order by using this form to:

Verilux, Inc., 340 Mad River Park, Waitsfield, VT 05673

Fax: 802-496-3105

Quantity	Price	Order Code	Product
	\$9.95	CFS13GU24VLX	13 Watt Natural Spectrum® Bulb
	\$6.95	Shipping & Handling	
		Subtotal	
		CT & VT Residents ONLY add 6% Sales Tax	
		Total Payment Enclosed	

Cut Along Dashed Line

Payment Method:

VISA MASTERCARD DISCOVER AMERICAN EXPRESS CHECK

Name as it Appears on Card

Credit Card Number _____

Expiration Date _____

Security Code (from back of card) _____

Authorized Signature (credit card purchasers ONLY)

Ship to Address _____

Phone Number _____

Email Address _____

Job#: 0.0637	Title: VC02 Manual Update
Date: 01/29/13	Version: Rev6

Warranty Registration

Thank you for purchasing this SmartLight Productivity Lamp. For your warranty to be valid, this Warranty Registration MUST be completed and mailed in a timely manner. Or, you can register your product online at www.verilux.com/warranty.

Name _____

Address _____

Phone Number _____

Email Address: _____

Model # _____

Date of Purchase (Month/Day/Year) _____

Please cut out form and send to:

VERILUX INC
PO BOX 451006
OMAHA NE 68145-5006

Or register online at www.verilux.com/warranty

Cut Along Dashed Line

Job#: 0.0637	Title: VC02 Manual Update
Date: 01/29/13	Version: Rev6

One-Year Limited Warranty

ATTENTION! ONCE OPENED, PLEASE **DO NOT** RETURN THIS PRODUCT TO THE STORE WHERE IT WAS PURCHASED FOR REPAIR OR REPLACEMENT!

Many questions may be answered by visiting www.verilux.com, or you may call our Customer Service Department at 800-786-6850 during normal business hours.

This limited warranty is provided by: Verilux, Inc., 340 Mad River Park, Waitsfield, VT 05673

Verilux warrants this product to be free from defects in material and workmanship for a period of 1 year from the date of the original retail purchase from Verilux or an authorized Verilux distributor. **Proof of purchase is required for all warranty claims.** During the limited warranty period, Verilux Inc., will, at its option, repair or replace defective parts of this product, at no charge to the customer, subject to these limitations: This limited warranty does not include any postage, freight, handling, insurance or delivery fees. This warranty does not cover damage, defect or failure caused by or resulting from accident, external destruction, alteration, modification, abuse, misuse or misapplication of this product.

This warranty does not cover damage to the product resulting from return shipping or handling. Verilux recommends purchasing shipping insurance to protect your investment.

Return Authorization is required for all returns. To obtain a Return Authorization, please contact the Verilux Customer Service Department at 800-786-6850.

If, during the first year of ownership, this product fails to operate properly, it should be returned as specified at www.verilux.com/warrantyreplacement or as instructed by a Verilux customer service representative at 800-786-6850.

Note: *Verilux recommends using a quality surge suppressor on all electronics equipment. Voltage variations and spikes can damage electronic components in any system. A quality suppressor can eliminate the vast majority of failures attributed to surges and may be purchased at electronics stores.*

Due to ongoing improvements, actual product may have slight variations from the one described in this manual.

Please visit our web site at: www.verilux.com or call

1-800-786-6850

Representatives are available Monday – Friday 9:00a.m to 5:00p.m. EST

verilux®

340 Mad River Park, Waitsfield, VT 05673

Made in China

Printed in China for Verilux, Inc.

© Copyright 2013 Verilux, Inc. All rights reserved.