

INSTALLATION & OPERATION MANUAL

HV6CS Vacuum Circuit Breakers – Fixed Type 7.2kV Voltage Class

APPLICABLE MODEL NUMBERS:

(Motor Operation Types)

HV6CS-MU

HV6CS-ML

Important Notice

The instructions contained in this manual are not intended to cover all details or variations in equipment types nor may it provide for every possible contingency concerning the installation, operations, or maintenance of this equipment. Should additional information be required, contact your Toshiba Customer Support Center.

The contents of this manual shall not become a part of or modify any prior or existing agreement, commitment, or relationship. The sales contract contains the entire obligation of Toshiba International Corporation. The warranty contained in the contract between the parties is the sole warranty of Toshiba International Corporation and any statements contained herein do not create new warranties or modify the existing warranty.

Any electrical or mechanical modifications to this equipment without the prior written consent of Toshiba International Corporation may void all warranties or other safety certifications. Unauthorized modifications may also result in safety hazard or equipment damage.

Misuse of this equipment could result in injury and equipment damage. In no event will Toshiba International Corporation be responsible or liable for direct, indirect, special, or consequential damage or injury that may result from the misuse of this equipment.

About This Manual

Every effort has been made to provide accurate and concise information to you, our customer. At Toshiba International Corporation we are continuously striving for better ways to meet the constantly changing needs of our customers. E-mail your comments, questions, or concerns about this publication to controls@tic.toshiba.com.

Purpose and Scope of Manual

This manual provides information on how to safely install, operate, maintain, and dispose of your **HV6CS breaker**. The information provided in this manual is applicable to the **HV6CS breaker** only.

This manual provides information on the various features and functions of this powerful device, including:

- Installation
- Operation
- Mechanical and electrical specifications.

Included is a section on general safety instructions that describe the warning labels and symbols that are used on the device and throughout the manual. Read the manual completely before installing, operating, performing maintenance, or disposing of this equipment.

This manual and the accompanying drawings should be considered a permanent part of the equipment and should be readily available for reference and review. Dimensions shown in the manual are in imperial units and/or the metric equivalent. Connection drawings within this document convey the typical topology of the HV6CS breaker.

Because of our commitment to continuous improvement, Toshiba International Corporation reserves the right, without prior notice, to update information, make product changes, or to discontinue any product or service identified in this publication.

Toshiba International Corporation (TIC) shall not be liable for direct, indirect, special, or consequential damages resulting from the use of the information contained within this manual.

This manual is copyrighted. No part of this manual may be photocopied or reproduced in any form without the prior written consent of Toshiba International Corporation.

© Copyright 2012 Toshiba International Corporation.

TOSHIBA® is a registered trademark of Toshiba Corporation. All other product or trade references appearing in this manual are registered trademarks of their respective owners.

All rights reserved.
Printed in the U.S.A.

Contacting TIC's Customer Support Center

Toshiba International Corporation's Customer Support Center can be contacted to obtain help in resolving any Adjustable Speed Drive system problem that you may experience or to provide application information.

The Support Center is open from 8 a.m. to 5 p.m. (CST), Monday through Friday. The Center's toll free number is US (800) 231-1412/Fax (713) 937-9349 CAN (800) 872-2192 MEX 01 (800) 527-1204.

For after-hours support follow the directions of the outgoing message when calling.

You may also contact Toshiba International Corporation by writing to:

Toshiba International Corporation
13131 West Little York Road
Houston, Texas 77041-9990

For further information on Toshiba International Corporation's products and services, please visit our website at www.toshiba.com/ind/.

TOSHIBA INTERNATIONAL CORPORATION

HV6CS Circuit Breaker

Complete the following information and retain for your records.

Model Number: _____

Serial Number: _____

Project Number (if applicable): _____

Date of Installation: _____

Inspected By: _____

Name of Application: _____

Table of Contents

General Safety Information	1
Safety Alert Symbol	1
Signal Words	1
Equipment Warning Labels	2
Qualified Personnel	2
Equipment Inspection	3
Handling and Storage	3
Disposal	4
During Use.....	5
1. Part Names	8
2. From Receipt to Storage.....	9
2.1 Receipt and Unpacking	9
2.2 Transport	10
2.3 Storage	12
3. Installation	13
3.1 Mounting the VCB	13
3.2 Main Circuit Terminal	16
3.3 Ground Terminal Connections	17
3.4 Control Circuit Cable Connections	17
4. Operation	18
4.1 Manual Operation	18
4.2 Electrical Operation	21
4.3 Control Circuit	22
5. Maintenance/Inspections	24
5.1 During Maintenance/Inspections	25
5.2 Types of Maintenance and Inspection Work	25
5.3 Inspection Frequency	25
5.4 Periodic Inspection Checkpoints	26
5.5 Vacuum Check	27

General Safety Information

DO NOT attempt to install, operate, maintain, or dispose of this equipment until you have read and understood all of the product safety information and directions that are contained in this manual.

Safety Alert Symbol

The **Safety Alert Symbol** is comprised of an equilateral triangle enclosing an exclamation mark. This indicates that a potential personal injury hazard exists.



Signal Words

Listed below are the signal words that are used throughout this manual followed by their descriptions and associated symbols. When the words **DANGER**, **WARNING**, and **CAUTION** are used in this manual, they will be followed by important safety information that must be carefully followed.

The word **DANGER** preceded by the safety alert symbol indicates that an imminently hazardous situation exists that, if not avoided or if instructions are not followed precisely, will also occur.



The word **WARNING** preceded by the safety alert symbol indicates that a potentially hazardous situation exists that, if not avoided or if instructions are not followed precisely, could result in serious injury to personnel or loss of life.



The word **CAUTION** preceded by the safety alert symbol indicates that a potentially hazardous situation exists that, if not avoided or if instructions are not followed precisely, may result in minor or moderate injury.



The word **NOTE** provides helpful information.

NOTE

Equipment Warning Labels

DO NOT attempt to install, operate, perform maintenance, or dispose of this equipment until you have read and understood all of the product labels and user directions that are contained in this manual.

Warning labels that are attached to the equipment will include the exclamation mark within a triangle.

DO NOT remove or cover any of these labels. If the labels are damaged or if additional labels are required, contact the Toshiba Customer Support Center.

Labels attached to the equipment are there to provide useful information or to indicate an imminently hazardous situation that may result in serious injury, severe property and equipment damage, or loss of life if safe procedures or methods are not followed as outlined in this manual.

Qualified Personnel

Installation, operation, and maintenance shall be performed by **Qualified Personnel ONLY**. A Qualified Person is one that has the skills and knowledge relating to the construction, installation, operation, and maintenance of the electrical equipment and has received safety training on the hazards involved (Refer to the latest edition of NFPA 70E for additional safety requirements).

Qualified Personnel shall:

- Have carefully read the entire manual.
- Be familiar with the construction and function of the ASD, the equipment being driven, and the hazards involved.
- Be able to recognize and properly address hazards associated with the application of motor-driven equipment.
- Be trained and authorized to safely energize, de-energize, ground, lock-out/tag-out circuits and equipment, and clear faults in accordance with established safety practices.
- Be trained in the proper care and use of protective equipment such as safety shoes, rubber gloves, hard hats, safety glasses, face shields, flash clothing, etc., in accordance with established safety practices.


For further information on workplace safety, visit www.osha.gov.

Equipment Inspection

- Upon receipt of the equipment, inspect the packaging and equipment for shipping damage.
- Carefully unpack the equipment and check for parts that may have been damaged during shipping, missing parts, or concealed damage. If any discrepancies are discovered, it should be noted with the carrier prior to accepting the shipment, if possible. File a claim with the carrier if necessary and immediately notify your Toshiba Customer Support Center.
- **DO NOT** install the ASD if it is damaged or if it is missing any component(s).
- Ensure that the rated capacity and the model number specified on the nameplate conform to the order specifications.
- Modification of this equipment is dangerous and is to be performed by factory trained personnel **ONLY**. When modifications are required contact your Toshiba Customer Support Center.
- Inspections may be required after moving the equipment.
- Contact your Toshiba Customer Support Center to report discrepancies or for assistance if required.

Handling and Storage

- Use proper lifting techniques when moving the breaker; including properly sizing up the load, getting assistance, and using a forklift if required.
- Store in a well-ventilated location and preferably in the original packaging if the equipment will not be used upon receipt.
- Store in a cool, clean, and dry location. Avoid storage locations with extreme temperatures, rapid temperature changes, high humidity, moisture, dust, corrosive gases, or metal particles.
- The storage temperature range of the breaker is 23° to 104° F (-5° to 40° C).
- **DO NOT** store the unit in places that are exposed to outside weather conditions (i.e., wind, rain, snow, etc.).
- Store in an upright position.

 **CAUTION**

Operating the VCB

Failure to take the opportunity to discover abnormalities can result in injuries and equipment damage. Always check to make sure that the ON and OFF indicators are correct before operating the equipment.

To avoid damaging the equipment, do not close the circuit when the unit switching indicator is ON.

Connecting and disconnecting the main circuit

To avoid injury and damage to the equipment, do not remove the holding pin unless you are moving the VCB outside the panel.

To prevent electric shock or other injury, follow the instructions given in the instruction manual when moving the equipment in or out of the panel.

Disposal

Never dispose of electrical components via incineration. Contact your state environmental agency for details on disposal of electrical components and packaging in your area.

During Use

Installation location

To prevent damage to the VCB or performance degradation, do not store or install it in the following locations:

- * Places whose ambient temperature is outside the range of -5°C to 40°C (23°F to 104°F). This may result in damage or performance degradation.
- * Places exceeding 1000 m (3300 ft) elevation.
This may result in damage or performance degradation.
- * Places where excessive dust is produced.
This may result in damage or performance degradation.
- * Places where corrosive gases are produced.
This may result in fire, damage or performance degradation.
- * Places with very high or very low humidity.
This may result in damage or performance degradation.
- * Places subject to extreme variations in temperature.
This may cause condensation to form and result in damage or performance degradation.
- * Places subject to vibrations.
This may result in damage or performance degradation.
- * Inclined locations.
This may result in damage or performance degradation.

Special environmental conditions

When using the VCB in special environments, check the points in Table 1 below.

Table 1 Points to Check When Using the Circuit Breaker in Special Environments

Special environmental condition	Practical example	Check points
Contamination	<ul style="list-style-type: none"> * Large amounts of dust. * Salt corrosion (locations near the seashore or where winds containing salts blow) 	<ul style="list-style-type: none"> * Reduce the size of the ventilation duct * Make sure the wind does not blow directly at the location where the ventilation duct is installed * Install a filter
High humidity	<ul style="list-style-type: none"> * Places subject to frequent and/or strong rainstorms or snowstorms * When there is a cooling tower or other large water source nearby * Where there is condensation (which forms when the humidity in the cubicle drops dramatically) 	<ul style="list-style-type: none"> * Use a cubicle construction that will prevent condensation from forming * Use a cubicle construction that will prevent the wind from blowing directly into the cubicle * Install a space heater
Corrosive gases	<ul style="list-style-type: none"> * When corrosive gases are produced at plants handling raw materials, at water treatment plants, in hot springs regions etc. (hydrogen chloride, sulfurous acid, nitrogen oxide, ammonia, chlorine, ozone etc. or other gases) 	<ul style="list-style-type: none"> * Use a cubicle construction that enables the cubicle to be blocked off from the outside air to the greatest extent possible * Install a filter

Applicable standards pertaining to switching surges

Consult Table 2 for the standards applicable to VCB switching surges.

Table 2 Applicable Standards Pertaining to Switching Surges

Circuit breaker type	Load type				
	Rotating machine * ₁	Dry type transformer (insulation resistance below class A)	Oil-immersed transformer (insulation resistance class A)	When there is electronic equipment on transformer low voltage side	Phase advance capacitor * ₄ , * ₅
Ordinary	Protected by CR suppressor * ₆	Protected by surge suppressor	No special restrictions	Protected by CR suppressor * ₆	6.6 kV circuit: No special restrictions up to 300 kVA
Low surge type	No special restrictions * ₂	No special restrictions * ₃	No special restrictions	Protected by CR suppressor * ₆	6.6 kV circuit: No special restrictions up to 4000 kVA

*1. Mainly induction motors, but also includes synchronizing generators for private generator equipment.

*2. Use a CR suppressor for surge protection when inching at 55 kW (75HP) or below and on inductance regulators.

*3. Use an arrester for surge protection on circuits that require cutting off of excitation rush current.

*4. When the capacity of the group of capacitors exceeds 300 kVA, insert a series reactor (6%).

*5. For high-frequencies included in the applicable circuit, use 135% or below of the fifth harmonic as established in the standards for phase advance capacitors (JIS C 4801).

*6. Table 3 shows the models of applicable CR suppressor.

Table 3 CR Suppressors

Circuit voltage	CR suppressor model
6.6 kV	NV60K304T1 (three-phase)

1. Part Names

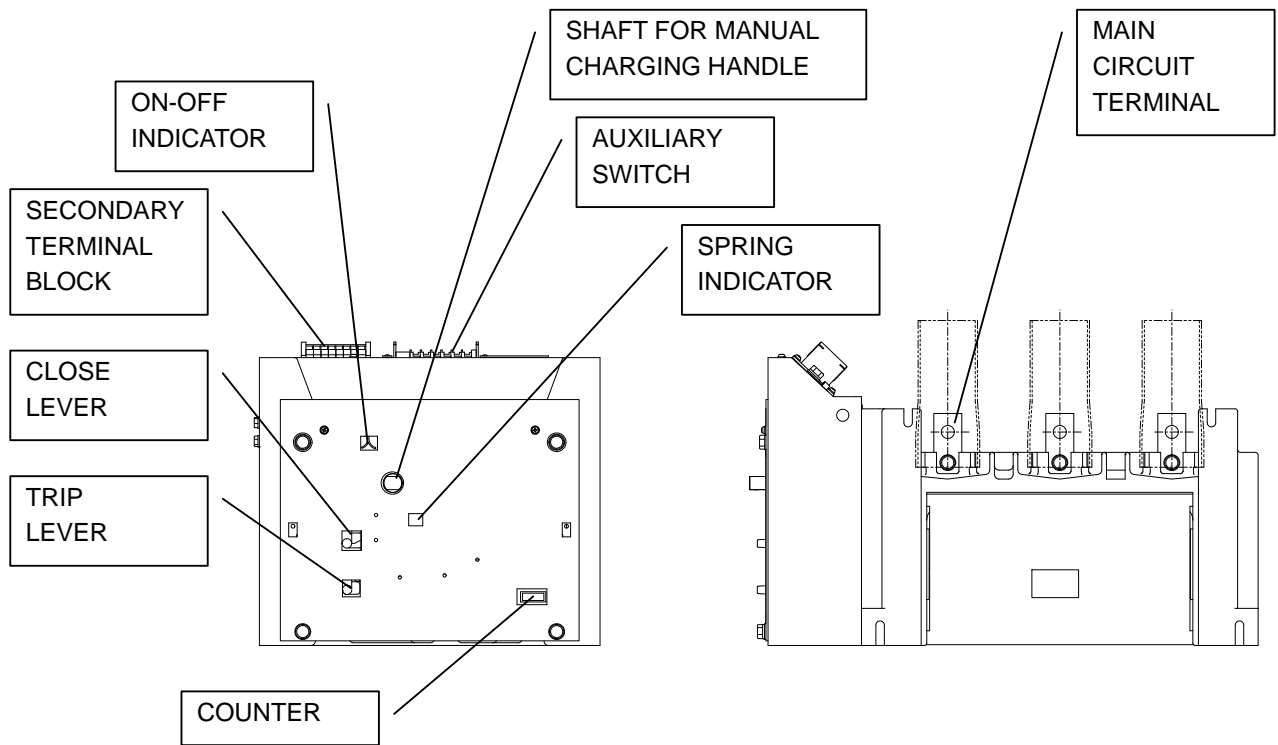


Figure 1 U Type Circuit Breaker (main circuit terminals on upper left and right)

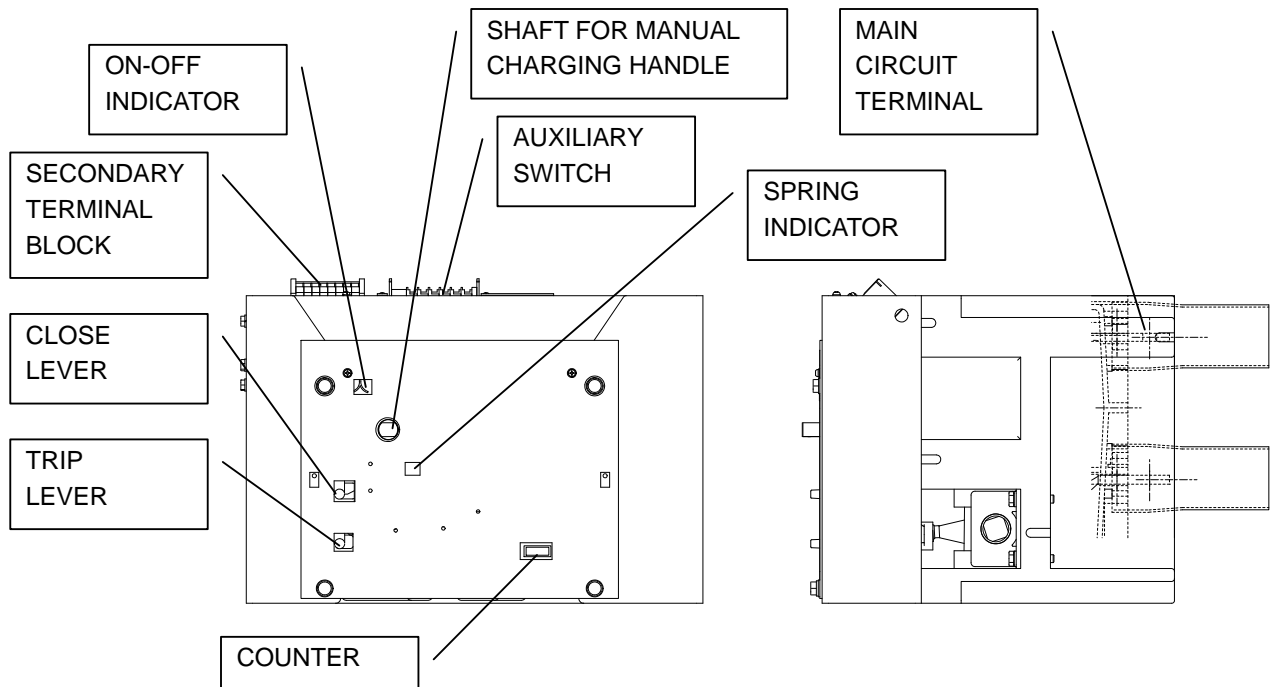



Figure 2 L Type Circuit Breaker (main circuit terminals on rear top and bottom)

2. From Receipt to Storage


2.1 Receipt and Unpacking

Each VCB unit is carefully tested and inspected prior to shipment, so it can be used as soon as it has been unpacked. However, just in case something should be amiss, you should check the following:

- (1) When the box is delivered, check to make sure it is not damaged or warped.
- (2) Remove the unit from the box carefully to avoid damaging it.

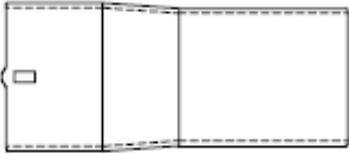

 CAUTION	To prevent injury or damage to the equipment, make sure the unit is standing straight up. NEVER lay it on its side or place it upside-down.
--	---

- (3) Make sure the accessories (see Tables 4 & 5) are present and no parts are missing or damaged.

 WARNING	To prevent electric shock or other injury, do not use the unit if it has been damaged.
---	--

- (4) Contact your dealer in the event of missing parts, damage, etc.

Table 4 List of Accessories (VCB)

Part	Appearance	Quantity
Insulating cylinder		6
Handle (with mounting screw) Shipped together with the VCB unit		1

2.2 Transport

▲ CAUTION

Use the proper procedures when moving or transporting the unit. Failure to use the proper (authorized) methods may damage the unit or cause it to fall, resulting in injury.

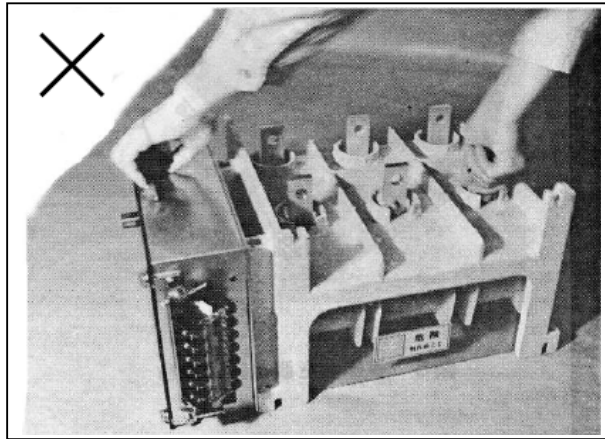


Figure 3 WRONG (Incorrect Method of Transportation)

2.2.1 Transporting U Type VCBs (main circuit terminals on top left and right)

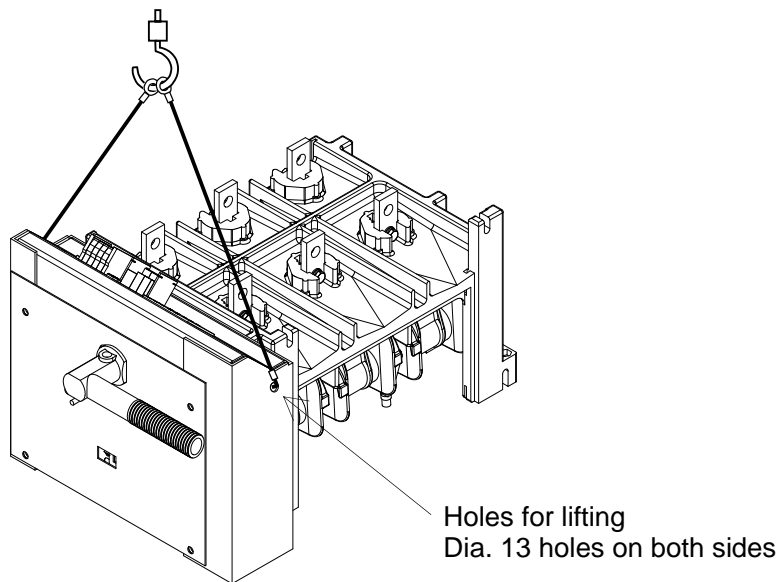


Figure 4 Lifting the VCB (Correct Method of Transportation)

2.2.2 Transporting L Type VCBs (main circuit terminals on rear top and bottom)

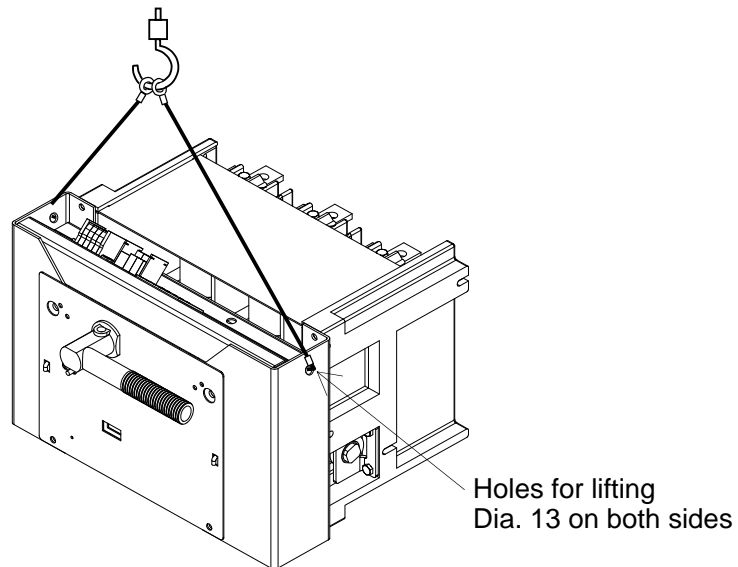


Figure 5 Lifting the VCB (Correct Method of Transportation)

2.2.3 Transportation (Manual handling)

The circuit breaker shall be moved by two (2) persons as shown in Fig. 6.

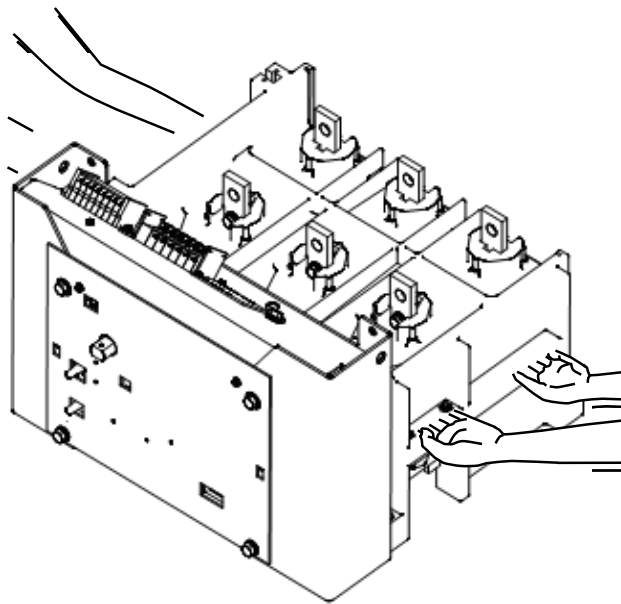




Figure 6 Transporting the VCB (Correct Method of Transportation)

2.3 Storage

Use the following procedures if the VCB will not be operated for a long period of time after it has been installed, or if it must be stored for a long period of time prior to installation. Be sure to observe the precautions for storage and installation locations (see page 5).

- (1) When storing the unit, cover it with a dust cover.
- (2) Avoid locations subject to high humidity or exposed to direct sunlight.
- (3) Inspect the unit periodically and make sure there are no problems such as condensation, moisture absorption, rust, corrosion or insects inside the equipment. If such problems are discovered, inspect the equipment carefully and repair it before it is operated.

 WARNING	To prevent electric shock or other injury, do not use the unit when a problem has been discovered during an inspection of that unit.
--	--

 CAUTION	To prevent injury or damage to the equipment, make sure the unit is standing straight up. NEVER lay it on its side or place it upside-down.
--	---

- (4) When the equipment has been stored or has been idle for a long period of time, do not install or begin operating the unit immediately. Perform the procedures listed in sections 7.3 and 7.4 and the withstand voltage test* for the control circuit to make sure there are no problems before installing or operating the unit.

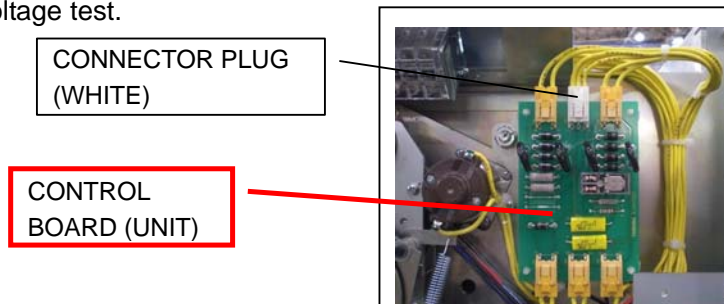
*The withstand voltage on control circuits

The withstand voltage test for motor spring operation type circuit breaker shall be performed in charged condition.

The power frequency withstand voltage on control circuits except charging motor is 2000V AC, since the withstand voltage for charging motor is 1500V AC.

The motor circuit shall be disconnected before withstand voltage test on control circuits. (Example: The connector plug (white) on upper-center of control board should be disconnected (pull out) after removing the front cover of circuit breaker. This will make the motor circuit disconnect

Note: The connector plug and front cover must be returned to proper position after withstand voltage test.

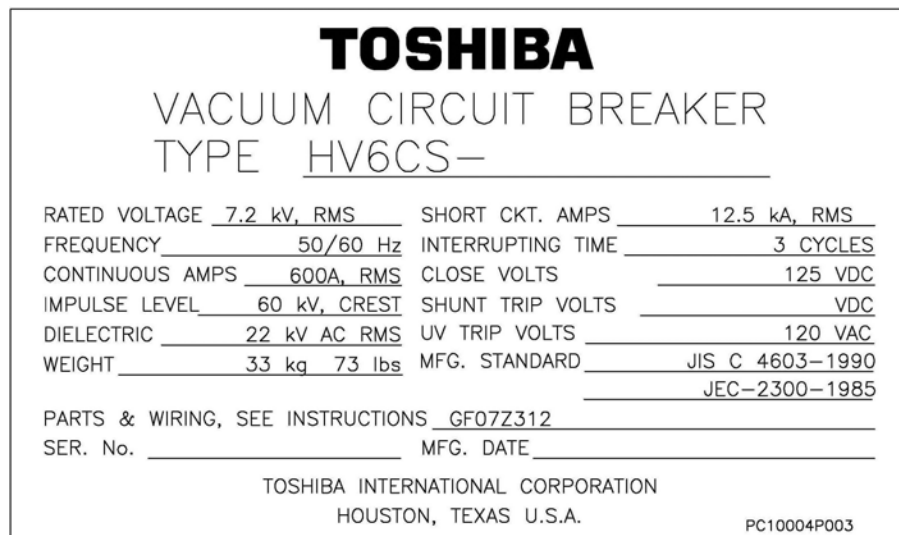


3. Installation

Make sure the location satisfied the requirements listed under Storage and Installation Location (page 3) and check the dimensions using the diagrams in other catalogs or external view diagrams and panel cut diagram. Prior to installation, the maximum fault current capacity of the power system at the point of installation should be verified. This value must not exceed the symmetrical interrupting capability of the circuit breaker. See typical circuit breaker nameplate below.



Do not exceed the ratings specified on the breaker nameplate or system accessories. Underrated equipment can fail during operation causing fire, explosion, severe injury, death, and property damage.



Typical Circuit Breaker Nameplate

3.1 Mounting the VCB

3.1.1 Mounting in the panel

The standard panel thickness is t3.2. Consult Toshiba when using with other thicknesses. To mount the VCB, perform the steps shown in Figures 8 through 10 in that order, referring to the tightening torque in Table 5.

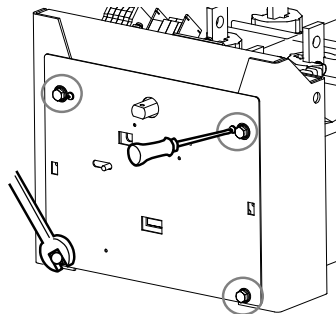


Figure 7 Remove the four (4) panel mounting bolts (M8) and two (2) pan-head screws (M4) from the VCB.

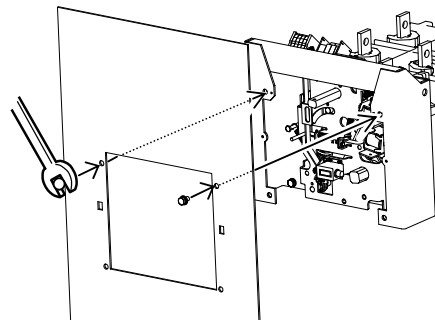


Figure 8 Align to the panel holes and mount the VCB with two (2) upper bolts on the panel.

Screw nominal dia.	Tightening torque	Screw nominal dia.	Tightening torque
M4	1.47 to 1.96 N-m (15 to 20 kgf-cm)	M8	11.8 to 14.7 N-m (120 to 150 kgf-cm)
M5	2.94 to 3.92 N-m (30 to 40 kgf-cm)	M10	24.5 to 30.9 N-m (250 to 315 kgf-cm)
M6	4.90 to 6.37 N-m (50 to 65 kgf-cm)	M12	44.1 to 55.4 N-m (450 to 565 kgf-cm)

Table 5 Tightening Torque

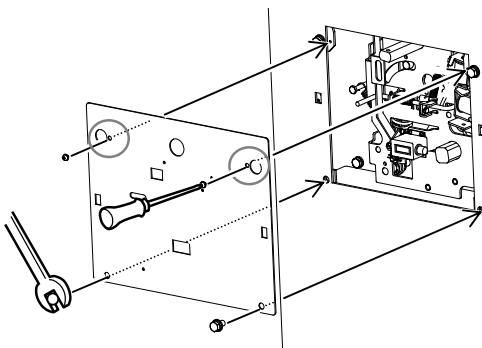


Figure 9 Fix the front plate onto panel with two (2) M8 bolts and two (2) M4 screws removed at step shown in Fig. 8.

3.1.2 Mounting Directly onto the Floor

The VCB should be mounted to a surface with a levelness of ± 0.5 mm. If there are any large gaps, use spacers to adjust. Check to make sure that the VCB is in OPEN status, and then mount it using the steps shown in Figures 10 and 11 in that order.

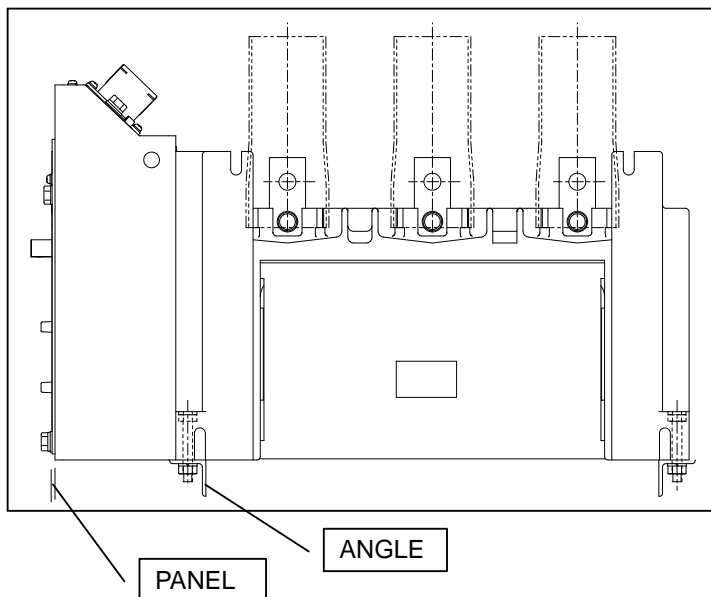


Figure 10 Fasten the VCB onto an angle or a flat plate. The use of M8 hexagonal bolts (either 50 mm or 35 mm) is recommended. The tightening torque should be 11.8 to 14.7 N · m (120 to 150 kgf · cm).

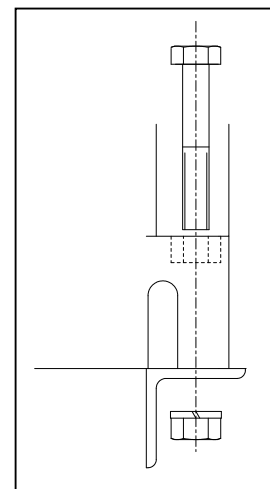


Figure 11 Either mounting method may be used.

3.1.3 Mounting method for the model provided one-person installation hook

The thickness of panel shall be 3.2 mm, consult nearest sales office for other thickness.

The mounting should be performed as described in Fig. 12 through Fig. 15.

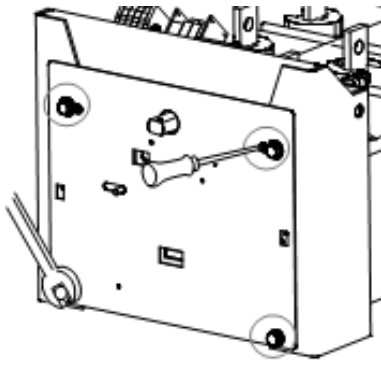


Figure 12 Remove the panel mounting bolts (M8 – 4 bolts and M4 – 2 pan-head screws).

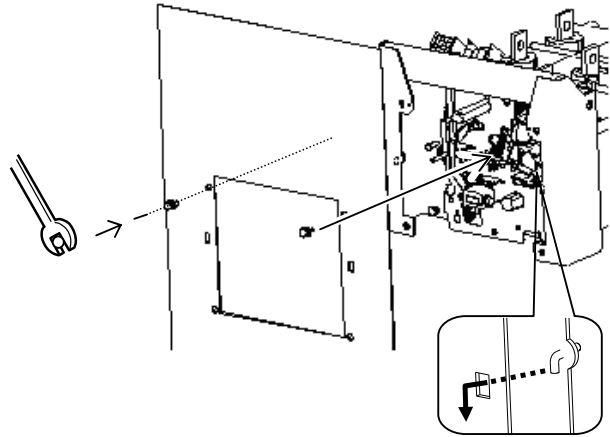


Figure 13 Suspend the breaker using with mounting hooks (2- locations) on panel, and fix the breaker to panel by bolts (M8 – 2 bolts).

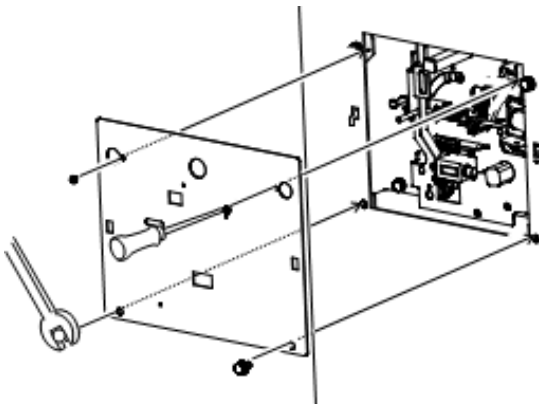


Figure 14 Fix the surface plate to panel with bolts and screw (M8 – 4 bolts and M4 – 2 pan-head screws) removed at work of Fig. 12. The tightening torque should be 11.8 to 14.7 N · m (120 to 150 kgf · cm) (at M8).

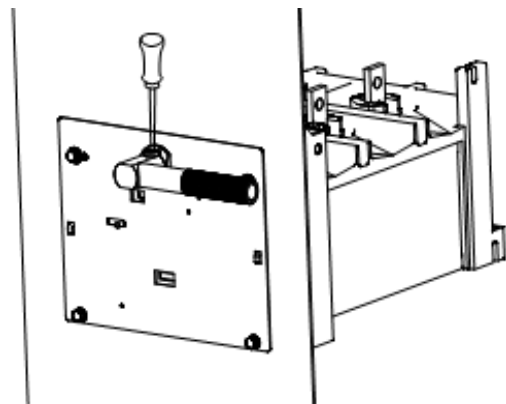


Figure 15 Fix the manual charging handle with screw (M5 – 1 piece) referring the tightening torque should be 2.94 to 3.92 N · m (30 to 40 kgf · cm).

3.2 Main Circuit Terminal Connections

Perform the steps shown in Figures 16 through 20 in that order.

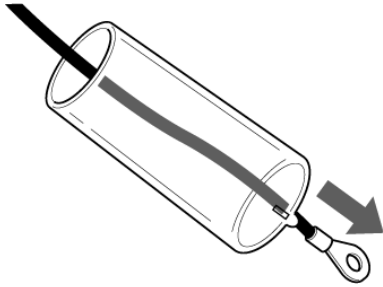


Figure 16 Pass the cable or conductor through the insulating cylinder.

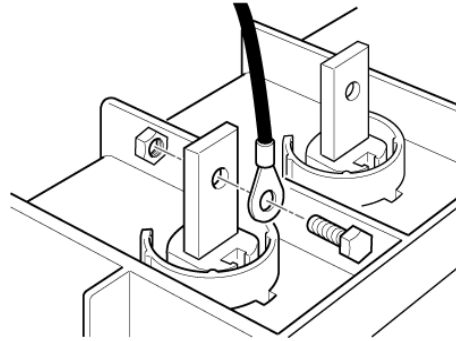


Figure 17 Fasten the cable or conductor to the main circuit terminal. The use of 30 mm or 35 mm hexagonal bolts for M10 threads and 35 mm hexagonal bolts for M12 threads is recommended.

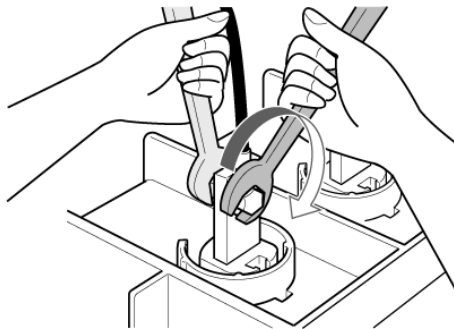


Figure 18 Use both hands to connect the cable or conductor to the terminal.

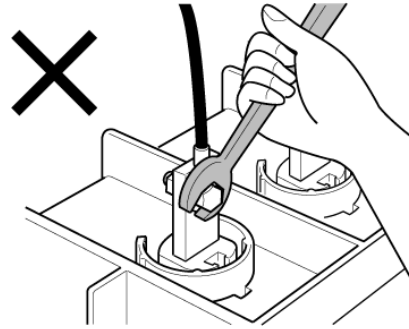


Figure 19 Do NOT connect the cable or conductor to the terminal using only one hand, as this may damage the insulating frame.

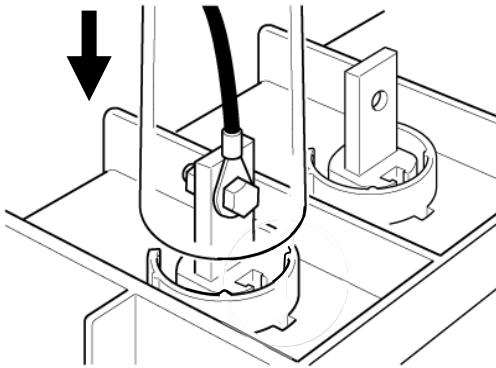


Figure 20 Set the insulating cylinder in place, then check to make sure that the hook is engaged.

Table 6 Tightening torque

Screw	Tightening torque
M8	11.8 – 14.7 N m (120 – 150 kgf cm)
M10	24.5 – 30.9 N m (250 – 315 kgf cm)
M12	44.1 – 55.4 N m (450 – 565 kgf cm)

3.3 Ground Terminal Connections

The ground terminal is on the left side of the terminal block as viewed from the rear of the VCB. To connect the ground line to the terminal, perform the steps shown in Figures 21 and 22 in that order.

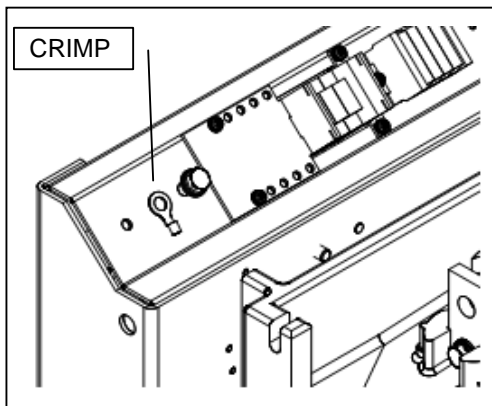


Figure 21 Crimp the ground line to the crimp-on terminal provided with the unit.

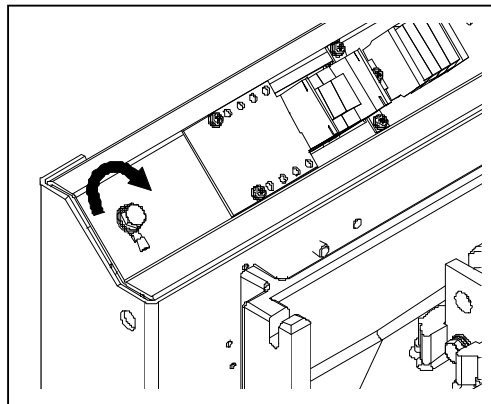


Figure 22 Fasten the crimped terminal using the hexagonal bolt (M8) provided with the unit.

3.4 Control Circuit Cable Connections

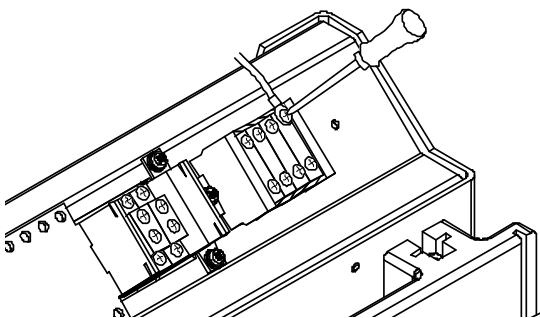


Figure 23 The control circuit is connected to the terminal block on the top of the operating mechanism. Connect as shown in the connection diagram in section 4.3.

4. Operation

⚠ CAUTION	Failure to take the opportunity to discover abnormalities can result in injuries and equipment damage. Always check to make sure that the ON and OFF indicators are correct before operating the equipment.
------------------	---

4.1 Manual Operation

⚠ CAUTION	To avoid damaging the equipment, do not close the circuit when the unit switching indicator is ON.
------------------	--

4.1.1 Closing the Circuit

Check to make sure that the switching status is set to OFF.

4.1.1.1 For Motorized Spring-operated VCBs

First of all, attach the handle (see Figure 24 for a picture showing the handle installed). The manual charging handle shall be applied for emergency case and maintenance purpose only, remove (not install) the handle at normal service condition.

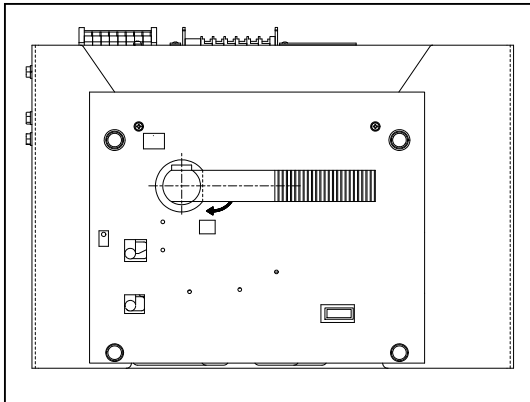


Figure 24 Tighten the small screw (M5) provided, fasten the handle in position. The tightening torque should be 2.94 to 3.92 N · m (30 to 40 kgf · cm).

(1) When the spring is released -

Perform the steps shown in Figures 25 and 26 in that order.

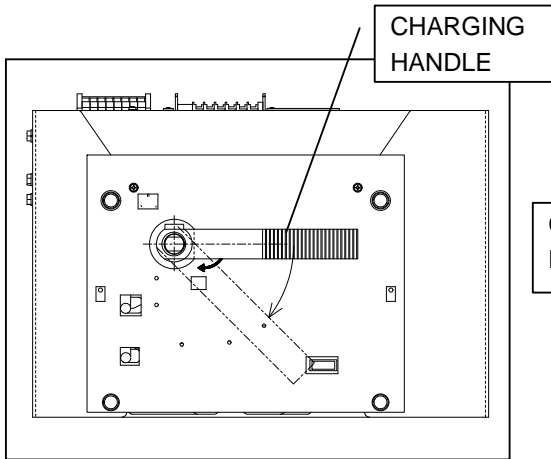


Figure 25 Turn the handle clockwise 3 to 5 times and make sure that the spring status is taut.

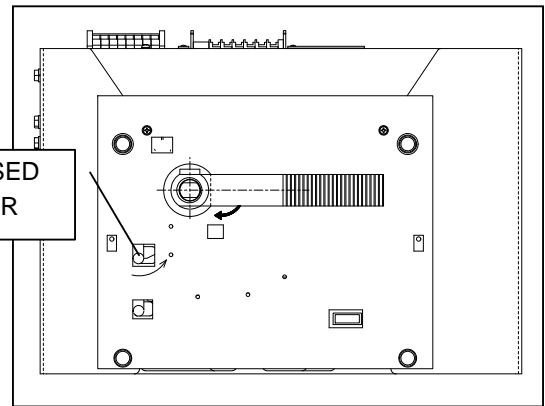


Figure 26 Press the closed lever (green) in the direction of the arrow to close the circuit. When the switching status will change to ON, the VCB is set in close state.

(2) When the spring is taut -

Perform the step shown in Figure 27 in that order.

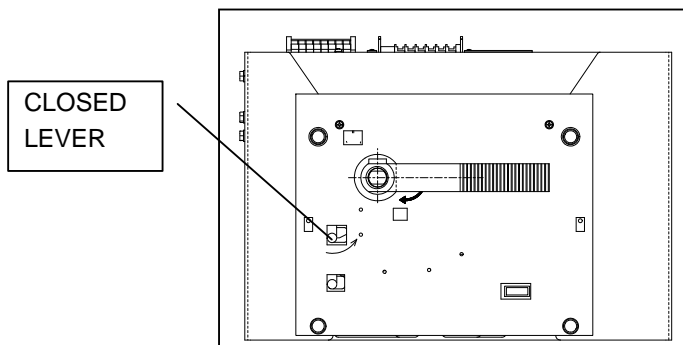


Figure 27 Press the closed lever (green) in the direction of the arrow to close the circuit. When the switching status changes to ON, the VCB is set in the closed state.

4.1.2 Opening the Circuit

This operation is the same for both motorized and manual spring-operated VCBs.

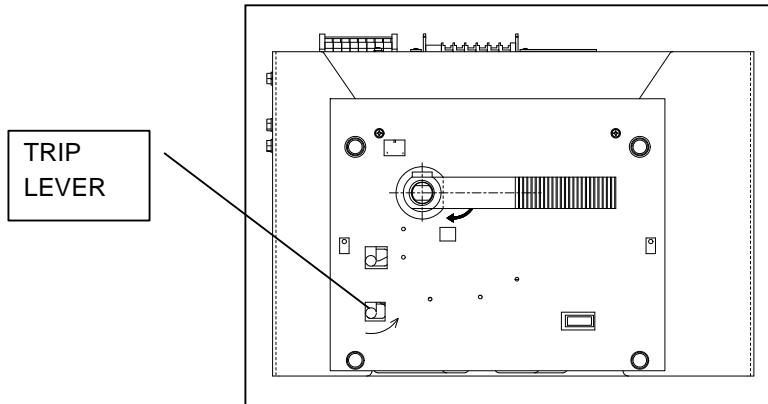
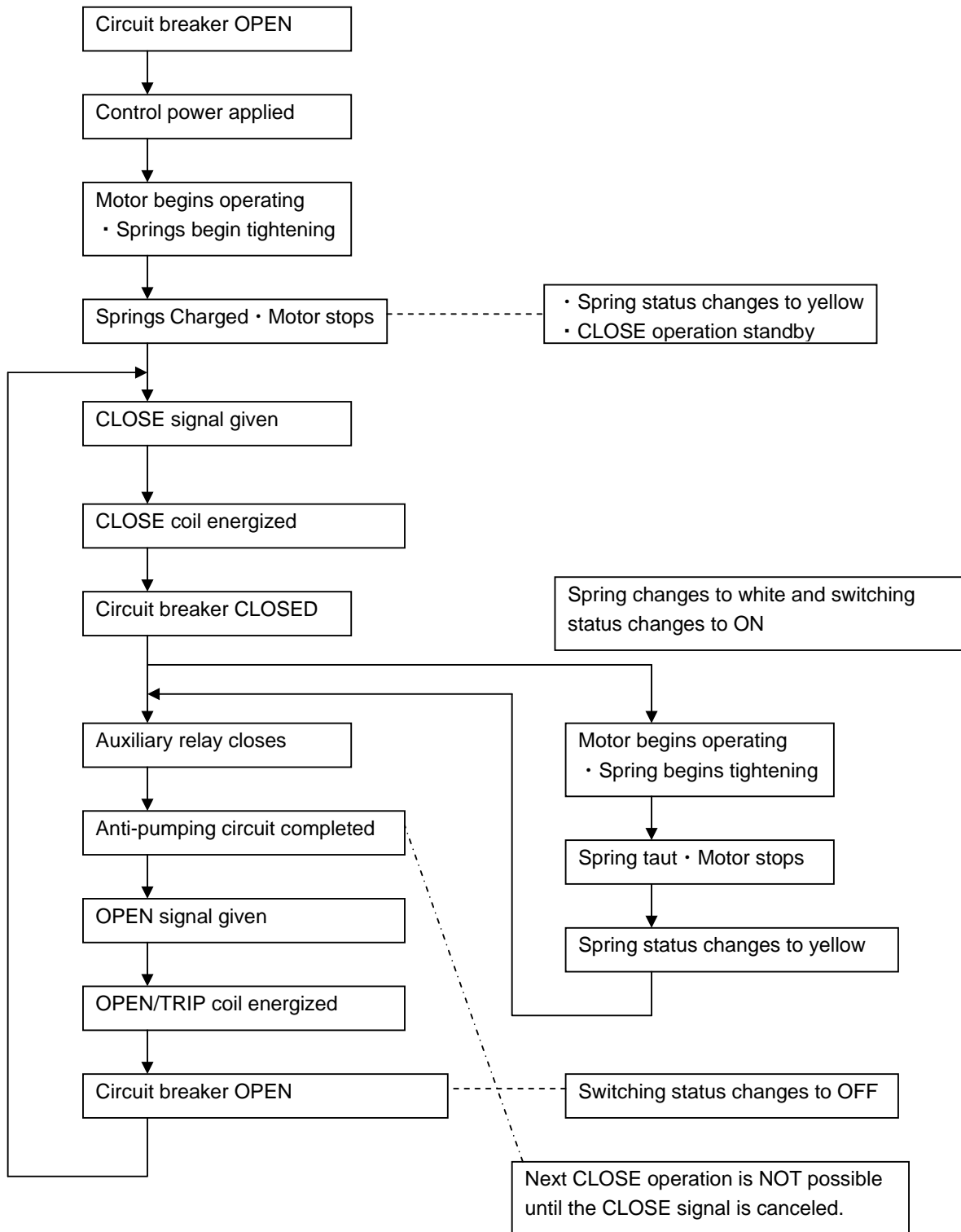


Figure 28 Press the trip lever (red) in the direction of the arrow to open the circuit.

4.2 Electrical Operation

Electrical operations are performed as shown in the flow diagram below.



4.3 Control Circuit

4.3.1 Motorized Operation

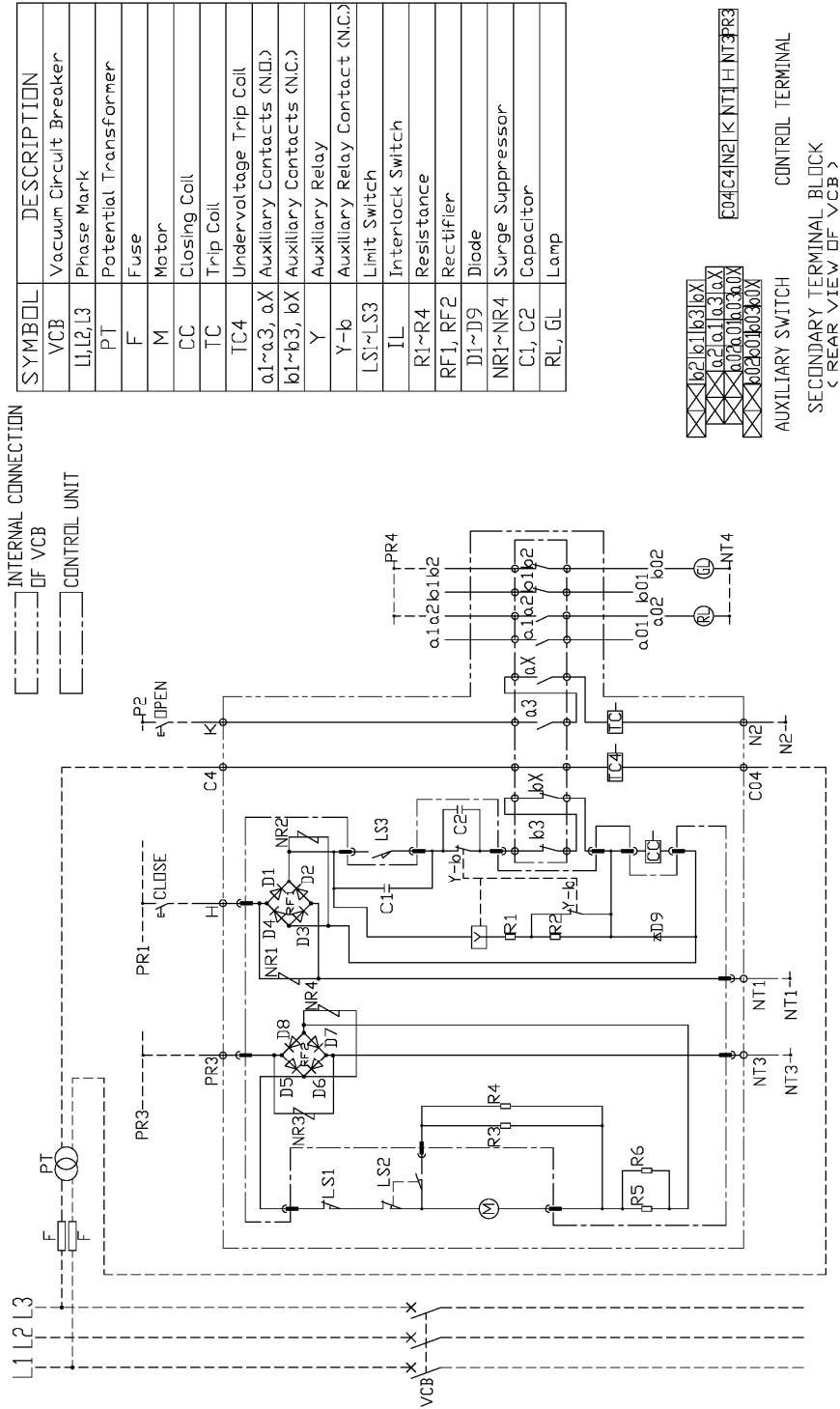


Figure 29 Control Circuit

4.3.2 Undervoltage Trip

All HV6CS breakers are furnished with an undervoltage trip device. The Undervoltage trip device operates to trip the circuit breaker OFF unless 120VAC control power is present at the terminals of the UV (TC4) trip coil.

When the circuit breakers are shipped, the Undervoltage trip device is defeated by a factory installed plug (Fig. 30). If this plug is left in place, the circuit breaker will operate normally without power applied to the UV coil. Removing this plug (Fig. 31) activates the undervoltage trip function.




Figure 30 Plug Installed in UV Trip Device



Figure 31 Removing Plug From UV Trip Device

5. Maintenance/Inspections

 WARNING	<p>To prevent electric shock, turn off the power before starting maintenance and inspections.</p>
	<p>To prevent electric shock or other injury, check to make sure that the unit status indicators read OFF and DISCHARGED before beginning maintenance and inspection work.</p>
	<p>To prevent electric shock, do not touch charged parts.</p>
	<p>Keep fingers and other body parts, objects, etc. away from the unit mechanism, as you may become caught in the mechanism and injured.</p>
	<p>To prevent electric shock or other injury, do not attempt to modify the lock mechanism on the disconnecting switch mounted on the unit power side.</p>
<p>Hazardous voltage can cause serious injury or death. Make sure maintenance and inspection work is performed only by authorized personnel.</p>	

The VCB should be maintained and inspected periodically to maintain performance and ensure a long service life. Operating and environmental conditions will usually dictate the frequency of inspection required. NFPA Publication 70B "Electrical Equipment Maintenance" may be used as a guide for setting up the maintenance program.



Contact with energized components can cause severe injury, death and property damage. Turn off and lock-out primary and control circuit power before servicing.



Improper maintenance can cause severe injury, death and property damage. Only qualified and authorized persons are to install, operate or service this equipment.



Grease is conductive. Do not allow grease or any other substances to contaminate insulating materials. Contaminated insulators can allow a short circuit or ground fault to occur.

MAINTENANCE RECORD

Keep a permanent record of all maintenance work. At a minimum, this record should include:

- 1) Items inspected
- 2) Reports of any testing

- 3) Equipment condition
- 4) Corrective actions or adjustments
- 5) Date of work

5.1 During Maintenance/Inspections

Before inspecting the electrical circuits, take the following measures to prevent electric shock:

- 1) After opening circuit for the VCB, open the disconnect switch on the power source side to place the main circuit and control circuits of the VCB in no-voltage status.
- 2) Lock the disconnect switch to prevent operation and label it with an "INSPECTION IN PROGRESS" tag.
- 3) Using a voltage detector, check to make sure that the circuits are in no-voltage status and ground the necessary circuits.

Discharge the residual charge from capacitors and cables before grounding. Space heaters, resistors and other units will remain hot even after they have been turned off. Install a protective cover temporarily, or wait until after the units have cooled to perform the inspection. To ensure safety, remove the ground line after the inspection is complete and return the equipment to its previous status.

5.2 Types of Maintenance and Inspection Work

Receiving inspection

A visual inspection for damage, deformation, missing parts and switching status (manual) to make sure that the product is in the same status as when it was shipped.

Patrol inspection

An inspection performed during patrols to check for abnormal noise or odor and see if there is anything wrong with the equipment during operation.

Periodic inspection

The equipment is shut off and a check made of the operation of the mechanism to make sure there is nothing wrong. The lubrication status of sliding and rotating parts is also checked and the mechanism is lubricated if needed.

Unscheduled inspection

Inspections that are implemented as required.

5.3 Inspection Frequency

The inspection frequency and points to be inspected will differ depending on the status of use, frequency of switching, the size of the breaking current and other factors. In general, inspections should be implemented at the intervals shown in the table below.

Type of inspection		Inspection frequency
Patrol Inspection		Once every 6 months
Periodic Inspection	Normal	Once every 1 to 3 years or every 3,000 operations
	Detailed	Once every 6 years
Unscheduled Inspection		As needed

5.4 Periodic Inspection Checkpoints

Table 7 Periodic Inspection Checkpoints

No.	Location	Item	Inspection method	Criteria	Disposition	Remarks
1	Operating mechanism	Loose bolts, nuts or screws	Tighten using screwdriver or wrench.	Make sure all bolts, nuts and screws are tight.	Tighten if loose.	See Table 5 for tightening torque.
		Dust or foreign matter inside	Visual inspection.	Make sure there is no dust or foreign matter.	Wipe with a dry cloth.	
		Indicator operation	Visual inspection.	Make sure switching status is properly displayed.	Check the cause and repair.	
		Part warping	Visual inspection.	Make sure no parts are warped or missing.	Check the cause and repair.	
		Smooth action	Manual operation. Visual inspection or touch. See Lubrication Manual	Make sure action is smooth and shafts turn smoothly.	If action is not smooth, apply a small amount of lubricant.	
2	Main circuit	Discoloration due to heat from conducting parts	Visual inspection.	Make sure there is no discoloration.	Check the cause and repair.	
		Loose bolts, nuts or screws	Tighten using a wrench.	Make sure all bolts, nuts and screws are tight.	Tighten if loose.	See Table 5 for tightening torque.
		Dust on surface of Interrupter.	Visual inspection.	Make sure there is no surface dust.	Wipe with a clean dry cloth.	

No.	Location	Item	Inspection method	Criteria	Disposition	Remarks												
3	Insulator	Dust, foreign matter or damage	Visual inspection.	Make sure there is no dust, foreign matter or breakage.	Wipe with a clean dry cloth.	If damaged, contact Toshiba.												
4	Auxiliary switch	Terminals loose or disconnected	Visual inspection. Tighten using a screwdriver.	Make sure terminals are not loose or disconnected.	Repair if disconnected. Tighten if loose.	See Table 5 for tightening torque.												
		Case/contacts	Visual inspection	Make sure there is no damage or Warping.	Replace if damaged or warped.													
5	Control circuits	Smooth movement when electricity is supplied	Supply electricity to operate the circuit.	Make sure circuit operates smoothly.	If circuit fails to operate, check the cause and repair.													
		Terminals loose or disconnected	Visual inspection. Tighten using a screwdriver.	Make sure terminals are not loose or disconnected.	Repair if disconnected. Tighten if loose	See Table 5 for tightening torque.												
6	Insulation resistance measurement	<table border="1"> <thead> <tr> <th>Measurement point</th> <th>Insulation resistance</th> <th>Tester</th> </tr> </thead> <tbody> <tr> <td>Main conductor to ground</td> <td>500MΩ or greater</td> <td>1000 V</td> </tr> <tr> <td>Group of control circuits to ground</td> <td>2MΩ or greater</td> <td>500 V</td> </tr> <tr> <td>Between main circuit terminals</td> <td>100MΩ or greater</td> <td>1000 V</td> </tr> </tbody> </table>			Measurement point	Insulation resistance	Tester	Main conductor to ground	500M Ω or greater	1000 V	Group of control circuits to ground	2M Ω or greater	500 V	Between main circuit terminals	100M Ω or greater	1000 V	If the insulation resistance between the main circuit terminals is low, wipe the vacuum valve and insulator surface with a clean dry cloth and repeat the test.	
		Measurement point	Insulation resistance	Tester														
		Main conductor to ground	500M Ω or greater	1000 V														
		Group of control circuits to ground	2M Ω or greater	500 V														
Between main circuit terminals	100M Ω or greater	1000 V																

5.5 Vacuum Check

A sufficient level of vacuum is necessary for proper performance of the vacuum interrupters. Although vacuum leaks are rare, the vacuum integrity should be checked periodically. The relationship between dielectric breakdown voltage of the contact gap and internal vacuum interrupter pressure has been found to be generally predictable. Therefore, vacuum interrupter integrity is checked by performing a high potential test across the open gap of the interrupter.

TEST EQUIPMENT:

Toshiba offers a compact vacuum checker (Type CI35-1D, see Figure 32) which enables a quick and easy check on vacuum interrupter internal pressure. Alternatively, any commercially available AC high potential tester may be used which is capable of delivering at least 25 milliamperes at 22 kV for a period of one minute.



Figure 32 Toshiba Portable Vacuum Checker

PRECAUTIONS:

Applying abnormally high voltage across a pair of contacts in vacuum may produce X-rays. The radiation may increase with the increase in voltage and/or decrease in contact spacing. X-radiation produced during this test with recommended voltage and normal contact spacing is extremely low and well below the maximum permitted by standards. As an additional safety measure, it is recommended that all personnel keep at least 1 meter (3.3 ft) away from the vacuum circuit breaker while this test is performed.

⚠ WARNING Radiation exposure hazard. X-rays may cause illness or injury. Stay at least 1 meter (3.3 ft) away from the circuit breaker during the vacuum check test .

⚠ WARNING Hazardous voltages are present during dielectric testing which can result in severe injury or death. Only qualified personnel should conduct this testing.

See Figure 33 for sample withstand voltage test circuit.

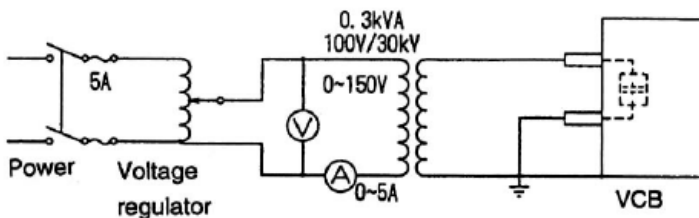


Figure 33 Sample Withstand Voltage Test Circuit

TEST PROCEDURE:

1. The circuit breaker should be disconnected from the main circuit and be in the OFF position.
2. Connect all the line side primary terminals together and to the output of the vacuum checker or AC hi-pot machine. Connect all the load side primary terminals together and to the ground terminal of the vacuum checker or AC hi-pot machine.
3. Increase the voltage from zero to 22kV AC at a rate of approximately 2kV per second. Hold the voltage at this value for 1 minute and observe the current drawn by the interrupter.

Note: If the ammeter fluctuates violently as the voltage increases to AC22 kV, repeat the voltage increase procedure two or three times. If the current still rises when the voltage is increased, the vacuum level may be insufficient; replace the vacuum interrupter.

4. Decrease the voltage back to zero.

CRITERIA:

1. If a current flow above 5 milliamperes is observed or if breakdown occurs, one or more of the interrupters has insufficient vacuum and must be replaced.

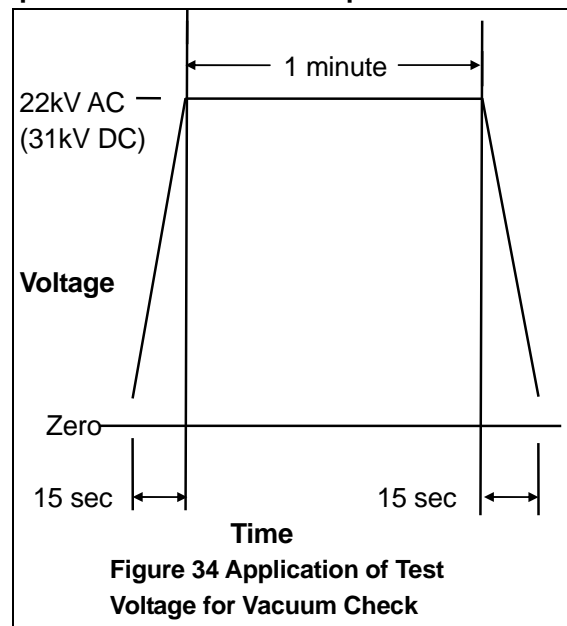
Exception: If the current exceeds 5 milliamperes the first time the voltage is brought up, reduce the voltage to zero and increase it again. It may be necessary to repeat this procedure a few times.

2. If the breaker fails to meet criteria 1, then repeat the test on each pole separately to identify the damaged interrupter or interrupters.

3. If the voltage can be held for 1 minute and the current flow does not exceed 5 milliamperes, the interrupter has a sufficient vacuum level.

After the test is complete, discharge any residual static charge from the primary terminals of the circuit breaker.

If a vacuum checker or AC hi-pot tester is not available, a DC hi potential test may be conducted. If a DC test is conducted, the test voltage must be increased to 31kV DC. The test duration for DC tests and the criteria for acceptance remain the same as for AC tests.



Do not use DC hi-pot testers which employ unfiltered half-wave rectifiers. The peak voltages produced by these testers may exceed the recommended value of 31kV. This can result in the production of harmful X-rays and may invalidate the test results.



Figure 35 shows the relationship between the dielectric breakdown characteristics and the withstand voltage between electrodes (for each vacuum interrupter) in the withstand voltage test.

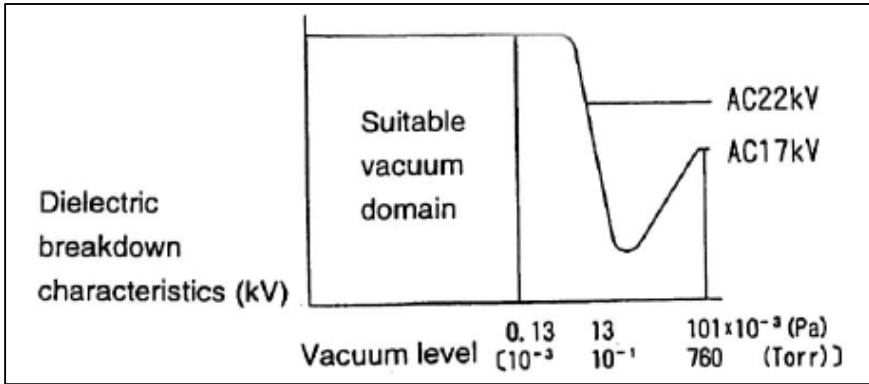


Figure 35 Dielectric Breakdown Characteristics



TOSHIBA

TOSHIBA INTERNATIONAL CORPORATION
INDUSTRIAL DIVISION
13131 W. Little York Road, Houston, TX 77041 U.S.A.
Tel: +713- 466-0277 US 1-800- 231-1412
Fax: (713) 466-8773
www.toshiba.com/ind