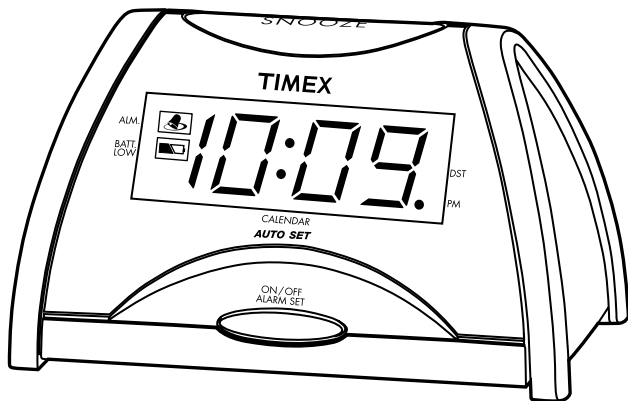


# TIMEX®

Model T103

## **Auto-set Alarm Clock**



For additional information, online registration,  
and exclusive special offers visit our website:

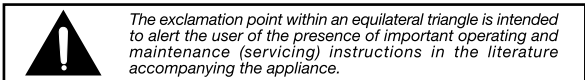
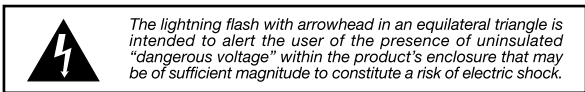
[www.timexaudio.com](http://www.timexaudio.com)

For questions or comments regarding this or other products,  
please call our toll-free number 1-800-888-4491.  
Para instrucciones en Español, llame al 1-800-888-4491.



**CAUTION:** TO REDUCE THE RISK OF ELECTRIC SHOCK, DO NOT REMOVE COVER OR BACK OF UNIT. NO USER-SERVICEABLE PARTS INSIDE. REFER SERVICING TO QUALIFIED SERVICE PERSONNEL.

**WARNING:** TO REDUCE THE RISK OF FIRE OR ELECTRIC SHOCK, DO NOT EXPOSE THIS APPLIANCE TO RAIN OR MOISTURE.



The symbols above are located at the bottom of the cabinet.

**CAUTION:** To prevent electric shock, do not use this (Polarized) plug with an extension cord receptacle, or other outlets unless the blades can be fully inserted to prevent blade exposure.

**ATTENTION:** Pour prévenir les chocs électriques ne pas utiliser cette fiche polarisée avec un prolongateur. Une prise de courant, ou une autre sortie de courant sauf si les lames peuvent être insérées à fond sans en laisser aucune partie à découvert.

# A Consumer Guide to Product Safety

## IMPORTANT SAFETY INSTRUCTIONS

When used in the directed manner, this unit has been designed and manufactured to ensure your personal safety. However, improper use can result in potential electrical shock or fire hazards. Please read all safety and operating instructions carefully before installation and use, and keep these instructions handy for future reference. Take special note of all warnings listed in these instructions and on the unit.

1. **Water and Moisture** – The unit should not be used near water. For example: near a bathtub, washbowl, kitchen sink, laundry tub, swimming pool, or in a wet basement.
2. **Ventilation** – The unit should be situated so that its location or position does not interfere with its proper ventilation. For example, it should not be situated on a bed, sofa, rug, or similar surface that may block ventilation openings. Also, it should not be placed in a built-in installation, such as a bookcase or cabinet, that may impede the flow of air through the ventilation openings.
3. **Heat** – The unit should be situated away from heat sources such as radiators, heat registers, stoves or other appliances (including amplifiers) that produce heat.
4. **Power Sources** – The unit should be connected to a power supply only of the type described in the operating instructions or as marked on the appliance.
5. **Grounding or Polarization** – This product is equipped with a polarized alternating-current line plug (a plug having one blade wider than the other). As a safety feature this plug will fit into the power outlet only one way. If you are unable to fit the plug into the outlet, try reversing the plug. If the plug still fails to fit, contact your electrician to replace your obsolete outlet. Do not defeat the safety purpose of your polarized plug by forcing the plug into the outlet.
6. **Power Cord Protection** – Power supply cords should be routed so that they are not likely to be walked on or pinched by items placed upon or against them. It is always best to have a clear area from where the cord exits the unit to where it is plugged into an AC outlet.
7. **Cleaning** – The unit should be cleaned only as recommended by the manufacturer. See the Maintenance section of this manual for cleaning instructions.
8. **Objects and Liquid Entry** – Care should be taken so that objects do not fall and liquids are not spilled into any openings or vents located on the product.
9. **Attachments** – Do not use attachments not recommended by the product manufacturer.
10. **Lightning and Power Surge Protection** – Unplug the unit from the wall outlet and disconnect the antenna or cable system during a lightning storm or when it is left unattended and unused for long periods of time. This will prevent damage to the product due to lightning and power-line surges.
11. **Overloading** – Do not overload wall outlets, extension cords, or integral convenience receptacles as this can result in a risk of fire or electric shock.
12. **Damage Requiring Service** – The unit should be serviced by qualified service personnel when:
  - A. the power supply cord or plug has been damaged.
  - B. objects have fallen into or liquid has been spilled into the enclosure.
  - C. the unit has been exposed to rain.
  - D. the unit has been dropped or the enclosure damaged.
  - E. the unit exhibits a marked change in performance or does not operate normally.
13. **Periods of Nonuse** – If the unit is to be left unused for an extended period of time, such as a month or longer, the power cord should be unplugged from the unit and any batteries removed to prevent damage or corrosion.
14. **Servicing** – The user should not attempt to service the unit beyond those methods described in the user's operating instructions. Service methods not covered in the operating instructions should be referred to qualified service personnel.
15. **Safety Check** – Upon completion of any service or repairs to this product, ask the service technician to perform safety checks to determine that the product is in proper operating condition.

**For questions or comments regarding this or other products, please call our toll-free number: 1-800-888-4491.**

# Limited 90-Day Warranty Information

---

Timex Audio Products, a division of SDI Technologies Inc. (hereafter referred to as SDI Technologies), warrants this product to be free from defects in workmanship and materials, under normal use and conditions, for a period of 90 days from the date of original purchase.

Should this product fail to function in a satisfactory manner, it is best to first return it to the store where it was originally purchased. Should this fail to resolve the matter and service still be required by reason of any defect or malfunction during the warranty period, SDI Technologies will repair or, at its discretion, replace this product without charge (except for a \$5.00 charge for handling, packing, return UPS/postage, and insurance). This decision is subject to verification of the defect or malfunction upon delivery of this product to the Factory Service Center listed below. The product must include proof of purchase, including date of purchase. The fee for service after the warranty period or without proof of purchase is \$10.00.

Before returning this product for service, please first replace the batteries (if applicable) with fresh ones, as exhausted or defective batteries are the most common cause of problems encountered.

If service is still required:

1. Remove the batteries (if applicable) and pack the unit in a well padded, heavy corrugated box.
2. Enclose a photocopy of your sales receipt, credit card statement, or other proof of the date of purchase, if within the warranty period.
3. Enclose a check or money order payable to the order of SDI Technologies, for the sum of \$5.00 (\$10.00 after warranty period).
4. Send the unit prepaid and insured, to the Factory Service Center listed below.

Consumer Repair Department  
SDI Technologies Inc.  
Timex Audio Products Division  
1401 Pullman Drive, Suite A  
El Paso, TX 79936-7726

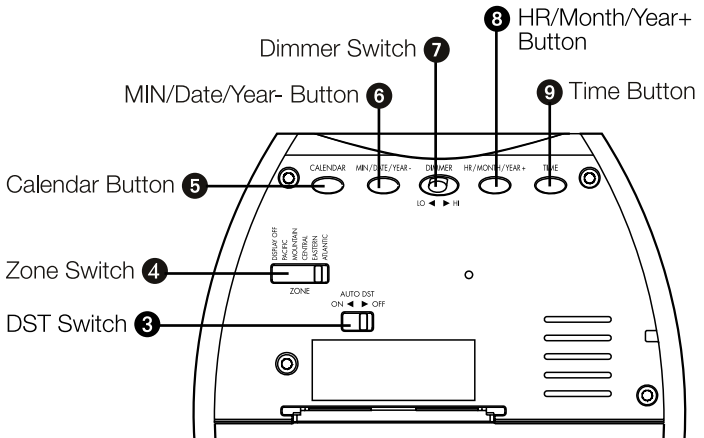
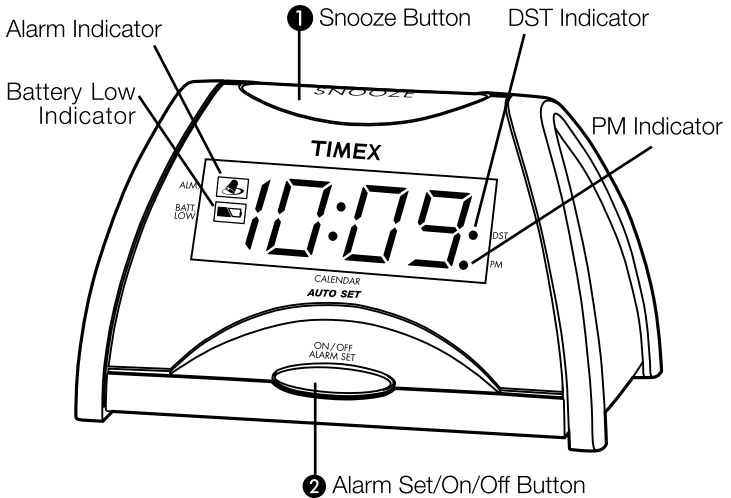
**NOTE:** This warranty is valid only if the product is used for the purpose for which it was designed. It does not cover (i) products which have been damaged by negligence, misuse or accident, or which have been modified or repaired by unauthorized persons; (ii) cracked or broken cabinets, or units damaged by excessive heat; (iii) damage to CD's or tape cassettes (if applicable); (iv) the cost of shipping this product to the Factory Service Center and its return to the owner.

This warranty is valid only in the United States of America and does not extend to owners of the product subsequent to the original purchaser. Any applicable implied warranties are also limited to 90 days, and SDI Technologies will not be liable for consequential damages. (Some states do not allow limitations on implied warranties or exclusion of consequential damages, so these restrictions may not apply to you.) This warranty gives you specific legal rights, and you may also have other rights which vary from state to state.

**For questions or comments regarding this or other products, please call our toll-free number 1-800-888-4491.**

**TIMEX is a registered trademark of Timex Corporation in the U.S. and other countries.**

# Controls and Indicators



# Installation

---

**Note:** After installing the Battery Backup and reading through the Maintenance, plug the AC line cord correctly into a wall outlet.

## Battery Backup

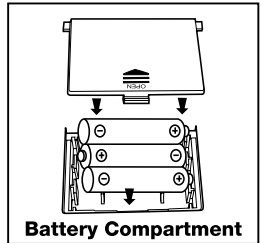
If the Backup Battery has been installed and a power failure occurs or the AC cord is accidentally disconnected, the display will not remain lit, but the current time and alarm time settings will be temporarily maintained.

If the Backup Batteries has not been installed or is dead, when the AC power resumes you must reset the time and alarm settings.

1. Open the battery compartment cover.
2. Insert three “AAA” batteries, checking the + and – ends of the batteries. We recommend do not mix alkaline, standard (carbon-zinc) or rechargeable (nickel-cadmium) batteries.

**Note:** You should replace backup batteries when **Battery Low Icon** is lighting up.

3. Close the compartment cover.



**Battery Compartment**

## Battery Low Indicator

The **Battery Low Icon** is located in mid left side of the display. When the icon lights up it is time to replace backup batteries.

# Maintenance

---

- Place the unit on a level surface away from sources of direct sunlight or excessive heat.
- Protect your furniture when placing your unit on a natural wood and lacquered finish. A cloth or other protective material should be placed between it and the furniture.
- Clean your unit with a soft cloth moistened only with mild soap and water. Stronger cleaning agents, such as Benzine, thinner or similar materials can mar the surface of the case.

# Dimmer Operation

---

1. Set the **7 Dimmer Switch** to Hi or Low depending on the brightness in the room.

## Setting Clock Time and Calendar

---

### Preset Clock

1. This unit is a PRESET CLOCK which the clock already preset when ex-factor. What you need to do is just switch few switches to match setting to where you living.
2. Set the **4 Zone Switch** which located on the back of the unit to the time zone your living area, the correct time should showing on the display.
3. Depending your living area, set the **3 DST Switch** to ON or OFF to turn on or off the auto daylight saving time adjustment feature.
4. In case showing time/day is not correct, please follow below steps to set the clock and day.

### Setting Clock Time

1. Press and hold the **9 Time Button** for few seconds until the display is flashing. Press the **8 HR/Month/Year+ Button** until the current hour is display. Remember to set the correct AM or PM. A small dot in the lower right hand corner of the display is the **PM indicator**.
2. Press the **6 MIN/Date/Year- Button** until correct time is displayed.
3. Press the **9 Time Button** again or if no key pressed for approx. 10 seconds to exit the setting mode.

### Setting Day

1. Press and hold the **5 Calendar Button** for few seconds until the display is flashing and showing the year. Press the **8 HR/Month/Year+ Button** or **6 MIN/Date/Year- Button** until correct year is displayed
2. Press and hold the **5 Calendar Button** again then display will show month/date and flashing. Press the **8 HR/Month/Year+ Button** to adjust month, the **6 MIN/Date/Year- Button** for date until correct month/date is displayed.
3. Press the **5 Calendar Button** again or if no key pressed for approx. 10 seconds to exit the setting mode.

# Alarm Operation

---

This clock radio also features “Sure Alarm” that even power failure occurs or the AC cord is accidentally disconnected, if you had installed backup batteries, Buzzer alarm will sound to wake you up.

## Setting Alarm Time

1. Press and hold the **2 Alarm Set/On/Off Button** for few seconds until the display is flashing. Press the **8 HR/Month/Year+ Button** until the correct hour is display. Remember to set the correct AM or PM. A small dot in the lower right hand corner of the display is the **PM indicator**.
2. Press the **6 MIN/Date/Year- Button** until correct time is displayed.
3. Press the **2 Alarm Set/On/Off Button** again or if no key pressed for approx. 10 seconds to exit the setting mode.

## Turn On/Off the Alarm

1. Set alarm time as indicated in **Setting Alarm Time**.
2. To turn on the alarm, just press the **2 Alarm Set/On/Off Button** once. The alarm time will be display for few seconds and the **Alarm Icon** will appear in the upper left corner of the display indicating the alarm function is on. The alarm is now set to turn on automatically at the time selected.
3. When alarm is sounding, press the **2 Alarm Set/On/Off Button** to turn off alarm. The alarm will come on again the next day at the same time.
4. To stop the alarm from coming on the following day, press the **2 Alarm Set/On/Off Button** once to turn it OFF.
5. If the alarm is not turned off after it sounds it will play for approximately 1 hour then turn off automatically. This cycle will repeat every 24 hours unless the controls are changed.

# Snooze Operation

---

1. Press the **1 Snooze Button** after the alarm sounds, the alarm will go off and will come on again in programmed time. **You may repeat this cycle several times during the 1 hours alarm cycle.**
2. Default snooze period is 9 minutes and adjustable from 1 to 30 minutes. To adjust the snooze period, press and hold the **1 Snooze Button** for few seconds until the display is flashing and showing current snooze period. Press the **8 HR/Month/Year+ Button** or **6 MIN/Date/Year- Button** to adjust it. Press the **1 Snooze Button** again or if no key pressed for approx. 10 seconds to exit the setting mode.