

INSTALLATION INSTRUCTIONS

For Thermador Professional® PRO-GRAND™
Dual Fuel Ranges

INSTRUCTIONS D'INSTALLATION

Pour toutes les cuisinières mixtes
Thermador Professional® PRO-GRAND™

Models

PD30

PD36

PD48

Thermador® | *An American Icon*™

Please Read Entire Instructions Before Proceeding

IMPORTANT: Save these instructions for the Local Electric and Gas Inspector's use.

INSTALLER: Please leave these Installation Instructions with this unit for the owner.

OWNER: Please retain these instructions for future reference.

WARNING

Disconnect power before installing. Before turning power **ON**, be sure that all controls are in the **OFF** position.

IMPORTANT

Local codes vary. Installation, gas connections and grounding must comply with all applicable codes.

For Massachusetts Installations:

1. Installation must be performed by a qualified or licensed contractor, plumber or gas fitter qualified or licensed by the state, province or region where this appliance is being installed.
2. Shut-off valve must be a "T" handle gas cock.
3. Flexible gas connector must not be longer than 36 inches.

WARNING:

If the information in this manual is not followed exactly, a fire or explosion may result causing property damage, personal injury or death.

— Do not store or use gasoline or other flammable vapors and liquids in the vicinity of this or any other appliance.

— **WHAT TO DO IF YOU SMELL GAS**

- Do not try to light any appliance.
 - Do not touch any electrical switch.
 - Do not use any phone in your building.
 - Immediately call your gas supplier from a neighbor's phone. Follow the gas supplier's instructions.
 - If you cannot reach your gas supplier, call the fire department.
- Installation and service must be performed by a qualified installer, service agency or the gas supplier.

WARNING



- **ALL RANGES CAN TIP**
- **INJURY TO PERSONS COULD RESULT**



- **INSTALL ANTI-TIP DEVICE**
- **SEE INSTALLATION INSTRUCTIONS**

TO REDUCE THE RISK OF TIPPING OF THE APPLIANCE, IT MUST BE SECURED BY A PROPERLY INSTALLED ANTI-TIP DEVICE. VERIFY THAT THE ANTI-TIP DEVICE IS ENGAGED PER INSTALLATION INSTRUCTIONS. (NOTE: ANTI-TIP DEVICE IS REQUIRED ON ALL 30" AND 36" RANGES).

Note: This Range is **NOT** designed for installation in manufactured (mobile) homes or for installation in Recreational Park Trailers.

DO NOT install this range outdoors.

Contents

Important Installation Information	1
Step 1: Ventilation Requirements	2
Step 2: Cabinet Preparation	3 – 7
Step 3: Unpacking, Moving and Placing the Range	8 – 9
Step 4: Installing Anti-Tip Device	10 – 11
Step 5: Gas Requirements and Hookup	12
Step 6: Electrical Requirements, Connection and Grounding	13 – 15
Step 7: Backguard Installation	16
Step 8: Door Removal and Installation	17
Step 9: Burner Test and Adjustment	18 - 19
Installer Checklist	20
To Clean and Protect Exterior Surfaces	20

Important Installation Information

GAS TYPE VERIFICATION

Verify the type of gas supplied to the location. Ensure that the appliance is connected to the type of gas for which it is certified. All models are certified for use with natural gas. Field conversion of the appliance for use with propane gas supply will require a conversion kit.

IMPORTANT

- A backguard must be utilized when there is less than a 12" horizontal clearance between combustible materials and the back edge of the range. The Thermador Low Back backguard must be ordered separately and installed at the rear of the range. For island installations and other installations with more than 12" clearance, an optional stainless steel Island Trim is available to cover the backguard mounting flanges.
- Verify that the appliance is correct for the type of gas being provided. Refer to Step 5 on Page 12 before proceeding with the installation.

Gas Supply :

Natural Gas - 6 inch water column, (14.9 mb) min., 14 inch (34.9 mb) maximum

Propane Gas - 11 inch water column, (27.4 mb), min. 14 inch (34.9 mb) maximum

This appliance has been tested in accordance with ANSI Z21.1, Standard for Household Cooking Appliances (USA) and in accordance with CAN 1.1-M81 Domestic Gas Ranges (Canadian).

It is strongly recommended that this appliance be installed in conjunction with a suitable **overhead vent hood**. (See Step 1 for Ventilation Requirements.) Due to the high heat capability of this unit, particular attention should be paid to the hood and duct work installation to assure it meets local building codes.

Check local building codes for the proper method of appliance installation. Local codes vary. Installation, electrical connections and grounding must comply with all applicable codes. In the absence of local codes the appliance should be installed in accordance with the National Fuel Gas Code ANSI Z223.1/NFPA 54 current issue and National Electrical Code ANSI/NFPA 70- current issue. In Canada, installation must be in accordance with the CAN 1-B149.1 and .2 – Installation Codes for Gas Burning Appliances and/or local codes.

This appliance complies with one or more of the following standards:

- UL 858, Standard for the Safety of Household Electric Ranges

- UL 923, Standard for the Safety of Microwave Cooking Appliances
- UL 507, Standard for the Safety of Electric Fans
- ANSI Z21.1, American National Standard for Household Cooking Gas Appliances
- CAN/CSA-C22.2 No. 113-M1984 Fans and Ventilators
- CAN/CSA-C22.2 No. 61-M89 Household Cooking Ranges

It is the responsibility of the owner and the installer to determine if additional requirements and/or standards apply to specific installations.

This appliance is equipped with an intermittent/interrupted ignition device that cycles the two far left surface burners on and off when in the ExtraLow® setting.

Due to the high heat of the cooktop burners, installing a microwave oven with a ventilation system over the cooktop is not recommended.



CAUTION

To eliminate risk of burns or fire caused by reaching over heated surface units, cabinet storage located above the surface units should be avoided.



CAUTION:

When connecting the unit to propane gas, make certain the propane gas tank is equipped with its own high pressure regulator in addition to the pressure regulator supplied with the range. **The maximum gas pressure to this appliance is not to exceed 14.0 inches water column (34.9 mb) from the propane gas tank to the regulator.**



CAUTION

This unit is designed as a cooking appliance. Based on safety considerations, never use it for warming or heating a room.

Step 1: Ventilation Requirements

It is strongly recommended that a suitable exhaust hood be installed above the range. Downdraft ventilation should not be used. The table below indicates the Thermador hoods, by model number, that are recommended for use with all ranges.

1. Select Hood and Blower Models:

- For wall installations, the hood width must, at a minimum, equal the width of the range cooking surface. Where space permits, a hood larger in width than the cooking surface may be desirable for improved ventilation performance.
- For island installations, the hood width should, at a minimum, overhang the range cooking surface by 3" on each side.

IMPORTANT:

Ventilation hoods and blowers are designed for use with single wall ducting. However, some local building codes or inspectors may require double wall ducting. Consult local building codes and/or local agencies, before starting, to assure that hood and duct installation will meet local requirements.

Do not install a microwave oven / ventilator combination above the range, as these types of units do not provide the proper ventilation and are not suitable for use with the range.

2. Hood Placement:

- For best smoke elimination, the lower edge of the hood should be installed 36" above the range cooking surface. (See Fig. 1).
- If the hood contains any combustible materials (i.e. a wood covering), it must be a minimum of 36" above the cooking surface.

3. Consider Make-Up Air:

- Due to the high volume of ventilation air, a source of outside replacement air is recommended. This is particularly important for tightly sealed and insulated homes.
- A qualified heating and ventilating contractor should be consulted.

RANGE WIDTH	WALL INSTALLATION		ISLAND INSTALLATION	
	HOOD*	BLOWER**	HOOD*	BLOWER**
30" RANGE	PH30CS, PHE30 / 36	VTR1030D, VTR1530D, or VTN1030C	HNI42YS HTNI42YS	VTR1030D, or VTR1530D
	HNW36YS	VTR1030D or VTR1530D		
36" RANGE	PH36CS / 42CS PHE36 / 42	VTR1030D, VTR1530D, or VTN1030C	HNI42YS HTNI42YS	VTR1030D, or VTR1530D
	HNW36YS / 42YS	VTR1030D or VTR1530D		
48" RANGE	PH48CS / 54CS PHE48 / 60	VTR1030D, VTR1530D, or VTN1030C	HTNI48YS / 54YS HTNI48YS / 54YS	VTR1530D
	HNW48YS	VTR1030D or VTR1530D		

Notes: * For wall installations where adequate space is available, the installer or user may elect to use a hood that is wider than the rangetop cooking surface. This may be particularly beneficial for installations having a long duct run or when heavy usage of the grill is anticipated, in which improved capturing of the cooking exhaust is desired.

** Thermador offers a choice of remote (VTR1030D or VTR1530D) or internal (VTN1030C) blowers for use in wall installations.

Step 2: Cabinet Preparation

1. The range is a free standing unit. If the unit is to be placed adjacent to cabinets, the clearances shown in Fig. 1 are required. The same clearances apply to island installations, except for the overhead cabinets, which must have a space wide enough to accept the flared island hood, as indicated in Fig. 1.
2. The 36" ranges may be recessed into the cabinets beyond the edge of the front face of the oven (See Figures 2A and 2B). The 30" and 48" ranges are not approved to be installed flush with the cabinets.
3. The gas and electrical supply should be within the zones shown in Fig. 3A.
4. Any openings in the wall behind the range and in the floor under the range must be sealed.
5. When there is less than a 12" horizontal clearance between combustible material Δ and the back edge of the range above the cooking surface, a Thermador Low Back or Pot and Pan Shelf backguard must be installed. (See Fig. 2A). When clearance to combustible material Δ is over 12", a Thermador Island Trim may be used. (See Fig. 2B). Figures 2A and 2B indicate the space required for each type of backguard.
6. A three (3) inch minimum clearance is needed when the range is installed beside a combustible side wall.
7. Always keep appliance area clear and free from combustible materials, gasoline and other flammable vapors and liquids.
8. Do not obstruct the flow of combustion and ventilation air to the unit.



CAUTION

In these installations, the door and cabinet on 36-inch models can cause a pinching hazard.

NOTE: The maximum depth of overhead cabinets installed on either side of the hood is 13".

A 36-inch minimum clearance is required between the top of the cooking surface and the bottom of an unprotected cabinet. It is recommended that the bottom of the wood or metal cabinet be protected by not less than 1/4 inch of a flame retardant material covered with not less than No. 28 MSG sheet steel, 0.015 inch (0.38 mm) thick stainless steel, 0.024 inch (0.6 mm) aluminum, or 0.02 inch (0.5 mm) thick copper. Flame retardant materials bear the following mark:

**UNDERWRITERS LABORATORIES INC.
CLASSIFIED MINERAL AND FIBER BOARDS
SURFACE BURNING CHARACTERISTICS**

Followed by the flame spread and smoke ratings. These designations are shown as "FHC (Flame Spread/Smoke Developed)." Materials with "O" flame spread ratings are flame retardant. Local codes may allow other flame spread ratings.

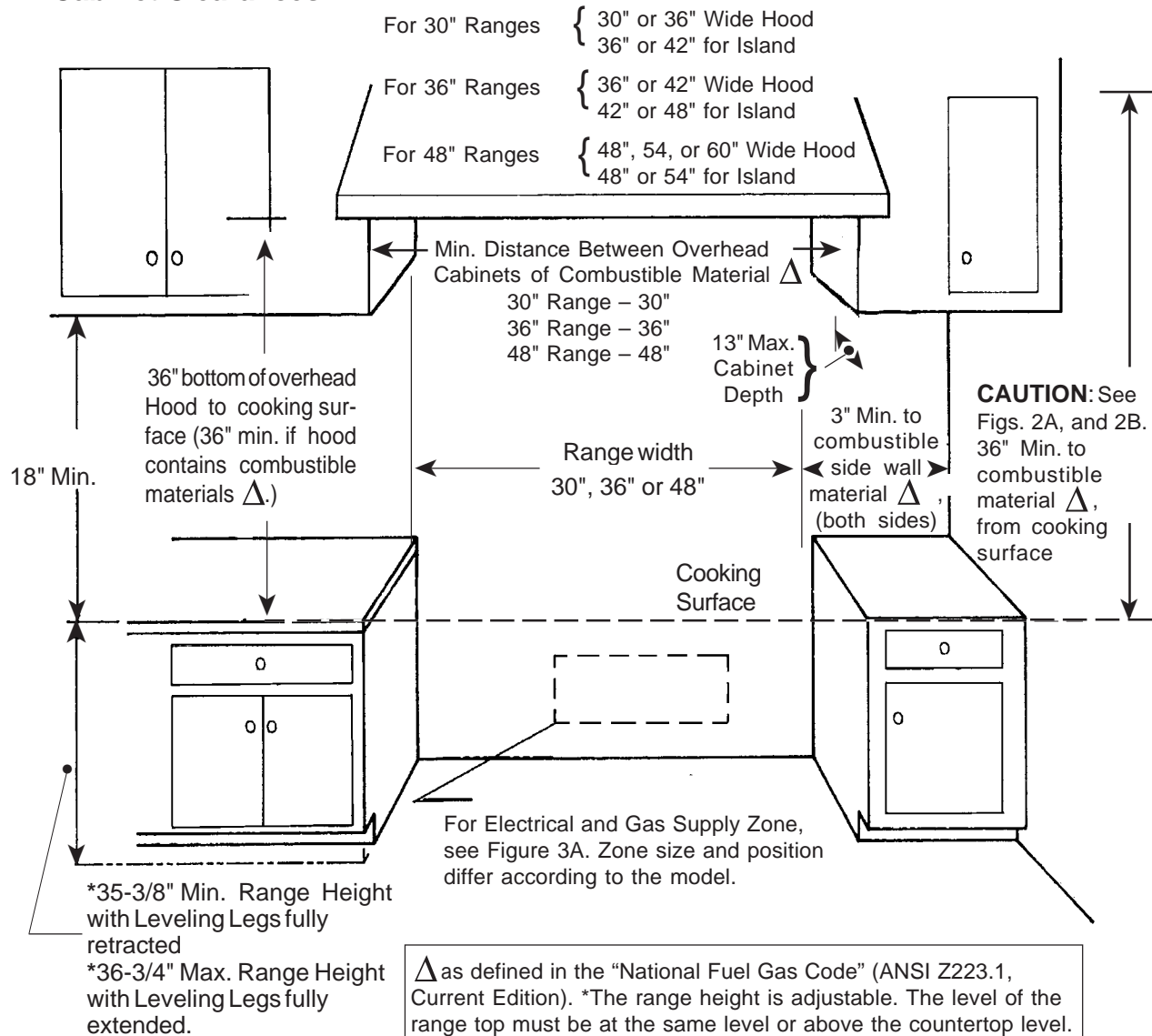
Δ As defined in the "National Fuel Gas Code" (ANSI Z223.1, Current Edition).

Step 2: Cabinet Preparation

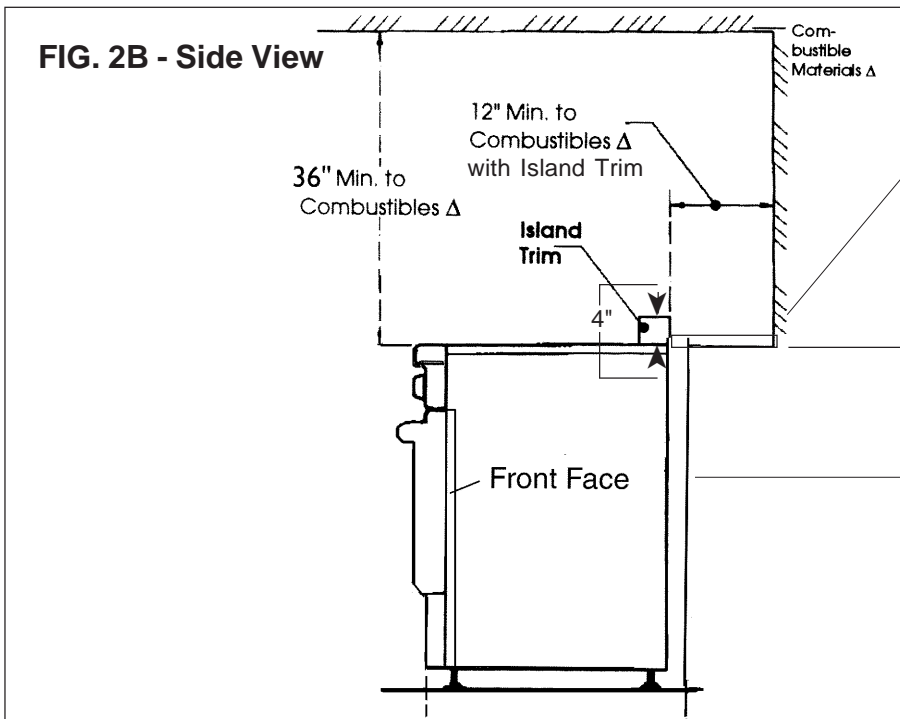
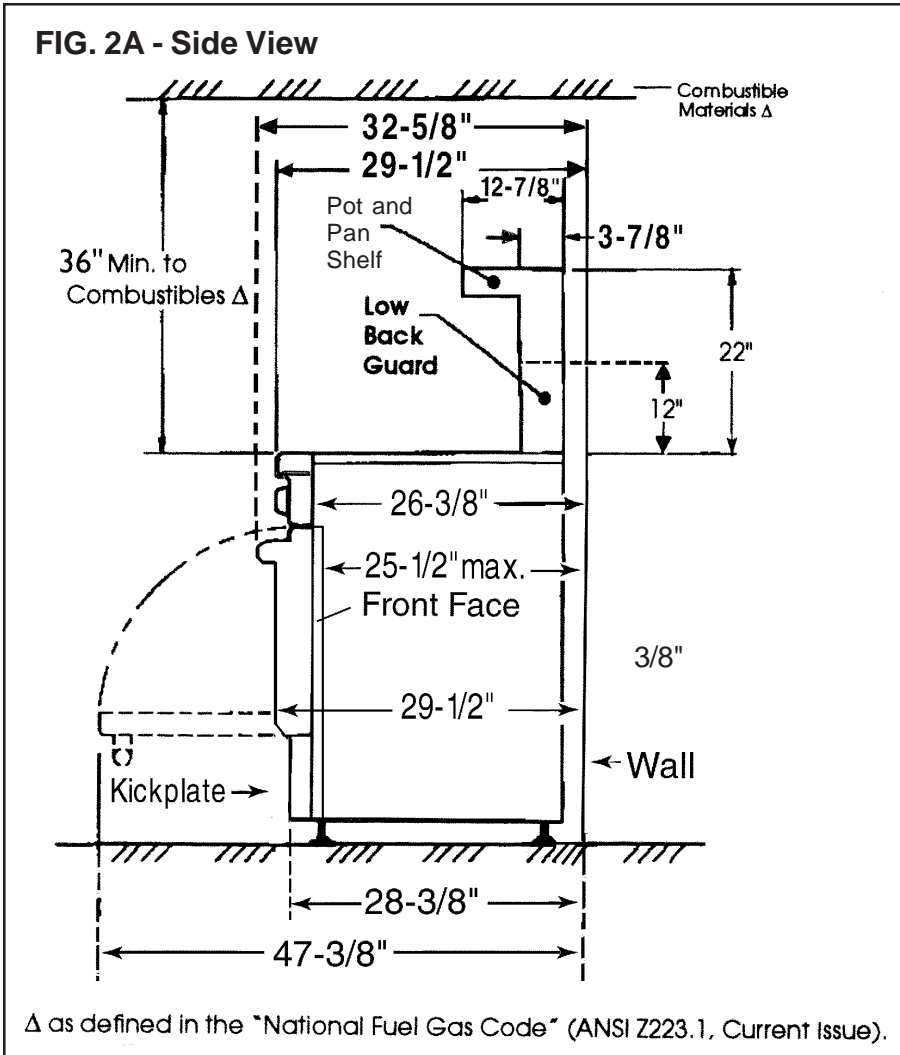
CAUTION:

Do not install the 30" and 48" ranges such that the oven door is flush with the cabinet face. A flush installation could result in damage to the cabinets due to exposure to high heat.

FIG. 1 Cabinet Clearances



Step 2: Cabinet Preparation



NOTE:

For Island Trim installations, counter surface should have a cantilever edge meeting the back section of the island trim accessory.

Cantilever Countertop

NOTE:

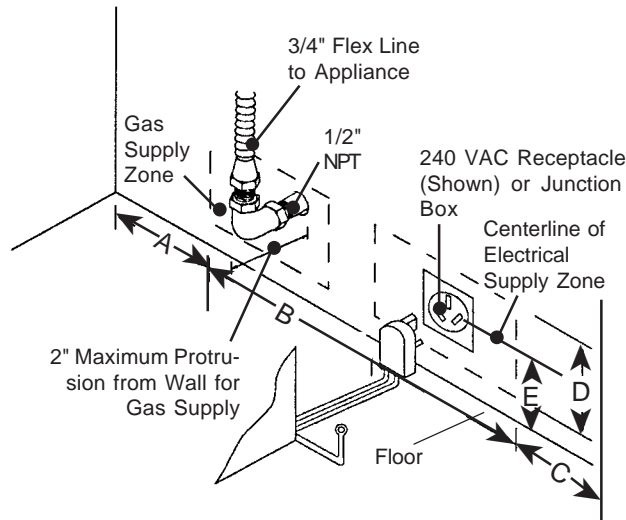
If an inner wall is used under the cantilever counter top, there should be a 1/8" gap from the rear of the range to the inner wall.

Step 2: Cabinet Preparation

GAS AND ELECTRIC SUPPLY ZONES:

FIG. 3A Gas & Electrical Supply Zone for Dual Fuel Ranges

Typical placement shown. Other placement of Gas Supply and Electrical Receptacle within the Electrical and Gas Supply Zone is acceptable.



NOTE:

If not already present, install gas shut-off valve in an easily accessible location. Make sure all users know where and how to shut off the gas supply to the range.

NOTE: The installer should inform the consumer of the location of the gas shut-off valve.

Model	A	B	C	D	E
30"	8"	12"	10"	6-1/2"	5-1/4"
36"	10-1/2"	15"	10-1/2"	6-1/2"	5-1/4"
48"	16-1/2"	16"	15-1/2"	6-1/2"	5-1/4"

NOTE: Any opening in the wall behind the appliance and any opening in the floor under the appliance must be sealed.

The Dual Fuel ranges may be connected to the power supply with a range supply cord kit or by hard-wiring to the power supply. It is the responsibility of the installer to provide the proper wiring components (cord or conduit and wires) and complete the electrical connection as dictated by local codes and ordinances, and/or the National Electric Code. The units must be properly grounded. Refer to Step 6 for details.

The range must be connected only to the type of gas for which it is certified. If the range is to be connected to propane gas, ensure that the propane gas supply tank is equipped with its own high pressure regulator in addition to the pressure regulator supplied with the range. (See Step 5.)

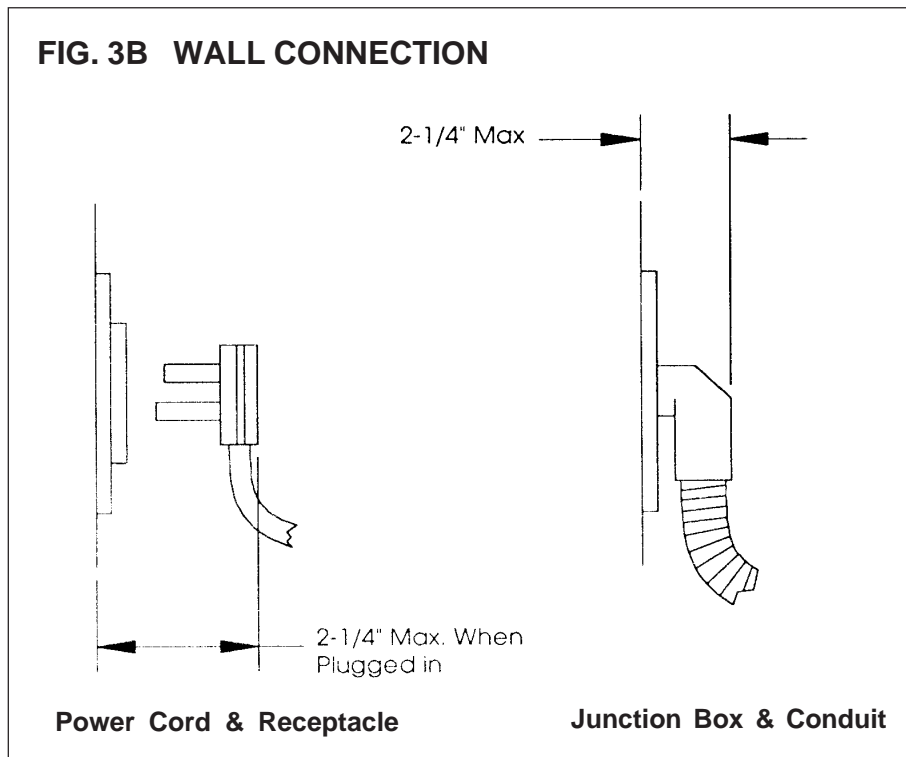
Step 2: Cabinet Preparation

ELECTRICAL SUPPLY

Installation of the range must be planned so that the rough-in of the junction box for the receptacle or conduit connection will allow maximum clearance to the rear of the unit.

When the power supply cord (not supplied) or conduit is connected to the mating receptacle or junction box cover, the combined plug/receptacle or junction box cover/conduit connector should protrude no more than 2-1/4" from the rear wall. See Figure 3B.

This is especially critical if the junction box in the wall will be directly behind the junction box on the unit when the unit is installed. Refer to Figure 8 on Page 14 for location of junction box on unit. To minimize binding when the unit is connected to the receptacle or junction box, orient the receptacle or conduit connector, and slide back into position.



Step 3: Unpacking, Moving and Placing The Range



CAUTION

Proper equipment and adequate manpower must be used in moving the range to avoid injury, and to avoid damage to the unit or the floor. The unit is heavy and should be handled accordingly.

Chart A	30" Range	36" Range	48" Range
Shipping Weight	335 lbs.	444 lbs.	584 lbs.
Weight without packing materials	285 lbs.	390 lbs.	524 lbs.
Without door(s), burner caps, front kick panel and oven racks	215 lbs.	295 lbs.	395 lbs.

- The range has an approximate shipping weight as shown in Chart A. The grates, griddle plate and frame, burner caps, front kick panel and oven racks must be removed to facilitate handling. This will reduce the weight as shown in Chart A and allow the range to pass through 30" doorways. See Figs. 2A and 2B on Page 5. **Do not remove the grill or griddle assemblies.**
- Remove the outer carton and packing material from the shipping base. The dual fuel ranges are held to the skid by four (4) bolts (see Fig. 4 and 5). After removing the bolts the range must be lifted and removed from the skid.
- Remove angle-mounting brackets from range. This requires the installer to remove two screws holding each bracket then remove bracket and reinstall screws.

FIG. 4 – Removal of Two Front Shipping Bolts

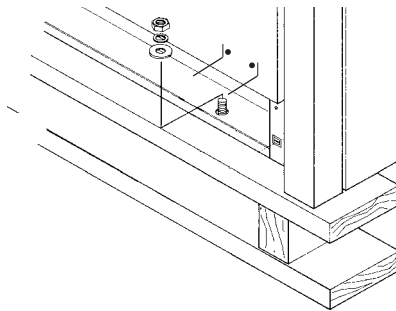
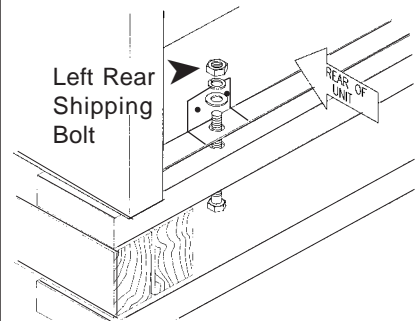


FIG. 5 – Removal of Two Rear Shipping Bolts

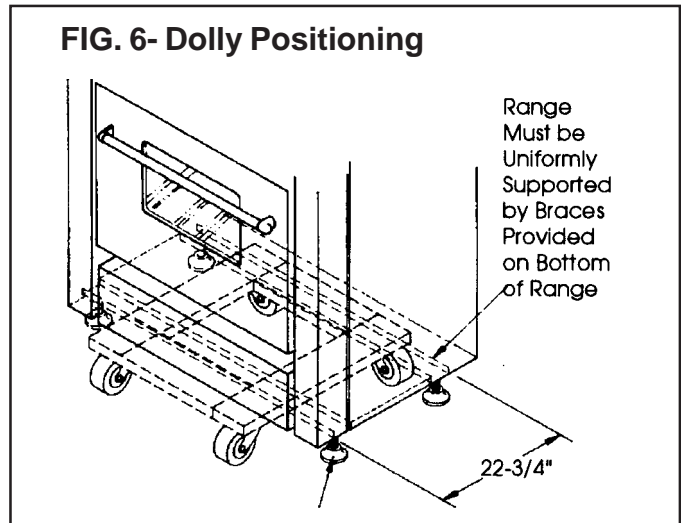


IMPORTANT: Do not lift the range by the oven door's handle, as this may damage the door hinges and cause the door to fit incorrectly to the oven cavity.

NOTE: Leave adhesive-backed foam layer over brushed-metal surfaces, to protect finish from scratches, until the range is installed in final position.

Step 3: Unpacking, Moving and Placing The Range

- Due to the weight, a dolly with soft wheels should be used to move this unit. The weight must be supported uniformly across the bottom (See Fig. 6).
- After transporting the professional range by dolly close to its final location, the range can be tipped back and supported on the rear legs while the dolly is carefully removed. **THE FLOOR UNDER THE LEGS SHOULD BE PROTECTED BEFORE PUSHING THE UNIT INTO POSITION.** The anti-tip device must be installed (Step 4), gas and electrical connections should be made (Steps 5 and 6), and the backguard installed (Step 7) before the range is placed in its final position.
- For proper performance the **range must be level.** (It is very important for all products that have the griddle feature). The range is leveled by adjusting the legs with a wrench.
- Replace the kick panel and install the oven door. **To install door, see Page 17. Do not install the oven door until the range is in its final location. It is important that the two (2) screws retaining the kick panel are secure to prevent accidental access to hot surfaces.**
- **Ensure that the burner caps are correctly seated on the burner bases of the range's cooktop.**



Remove all tape and packaging before using the appliance. Destroy the packaging after unpacking the appliance. Never allow children to play with packaging material.

Grill / Griddle Tilt Adjustment (Not on all models)

Check the griddle adjustment by pouring two tablespoons of water on the back of the griddle plate. The water should slowly roll into the grease tray. If not, adjust the two screws under the back of the griddle. Start with one half turn counter clockwise (CCW) of the screws. Further adjustment should be made by one-quarter turn until water slowly flows into the grease tray.

Step 4: Installing Anti-Tip Device

For all 30" and 36" ranges, an anti-tip device must be installed as per these instructions.



WARNING

RANGE TIPPING HAZARD

- All ranges can tip and injury can result. To prevent accidental tipping of the range, attach it to the floor, wall or cabinet by installing the Anti-Tip Device supplied.
- A risk of tip-over may exist if the appliance is not installed in accordance with these instructions.
- If the range is pulled away from the wall for cleaning, service or any other reason, ensure that the Anti-Tip Device is properly reengaged when the range is pushed back against the wall. In the event of abnormal usage (such as a person standing, sitting, or leaning on an open door), failure to take this precaution can result in tipping of the range. Personal injury might result from spilled hot liquids or from the range itself.



WARNING

- ALL RANGES CAN TIP
- INJURY TO PERSONS COULD RESULT
- INSTALL ANTI-TIP DEVICES PACKED WITH RANGE
- SEE INSTALLATION INSTRUCTIONS



WARNING

ELECTRICAL SHOCK HAZARD

- Use extreme caution when drilling holes into the wall or floor. There may be concealed electrical wires located behind the wall or under the floor.
- Identify the electrical circuits that could be affected by the installation of the Anti-Tip Device, then turn off power to these circuits.
- Failure to follow these instructions may result in electrical shock or other personal injury.

ATTENTION

PROPERTY DAMAGE

- Contact a qualified installer or contractor to determine the proper method for drilling holes through the wall or floor material (such as ceramic tile, hardwood, etc.)
- Do not slide the range across an unprotected floor.
- Failure to follow these instructions may result in damage to wall or floor coverings.

Tools Needed for Installation of Anti-Tip Device:

- Screwdriver, Phillips
- Drill, electric or hand
- Measuring tape or ruler
- 1/8" drill bit (wood or metal wall or floor)
- 3/16" carbide-tipped masonry drill bit (concrete or concrete block wall or floor)
- 3/16" anchors, drywall or concrete, 4 (not required if mounting bracket is being attached to solid wood or metal)
- Hammer
- Pencil or other marker

Step 4: Installing Anti-Tip Device

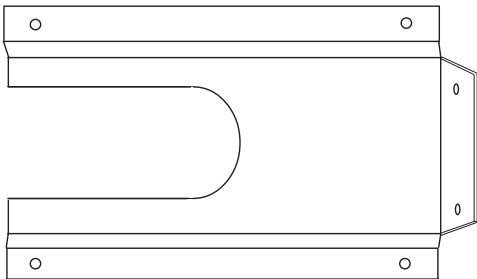
30 and 36 Inch Ranges (Figures 7A and 7B)

Thermador Service Part No.	Qty	Description
415078	4	Screw, Phillips, #10 x 1-1/2"
487310	1	Anti-Tip Bracket, Floor-Mounted

IMPORTANT INSTALLATION INFORMATION:

- The anti-tip bracket may be attached to a solid wood cabinet having a minimum wall thickness of 3/4".
- The thickness of the wall or floor may require use of longer screws, available at your local hardware store.
- In all cases, at least two (2) of the bracket mounting screws must be fastened to solid wood or metal.
- Use appropriate anchors when fastening the mounting bracket to any material other than hardwood or metal.
- Prepare holes at fastener locations as identified below:
 - For walls, wall studs, or floors composed of solid wood or metal, drill 1/8" pilot holes.
 - For walls or floors composed of drywall, sheet-rock or other soft materials, drill 3/16" holes to a minimum depth of 1-3/4", then tap plastic anchors into each of the holes using a hammer.
 - For walls or floors composed of concrete or concrete block, drill 3/16" holes to a minimum depth of 1-3/4", then tap concrete anchors into each of the holes using a hammer.
 - For walls or floors having ceramic tile covering, drill 3/16" holes through the tile only, then drill into the material behind the tile as indicated immediately above.
- If the range is moved to a new location, the Anti-Tip Device must be removed and reinstalled.

FIG. 7A - Mounting Anti-tip Bracket

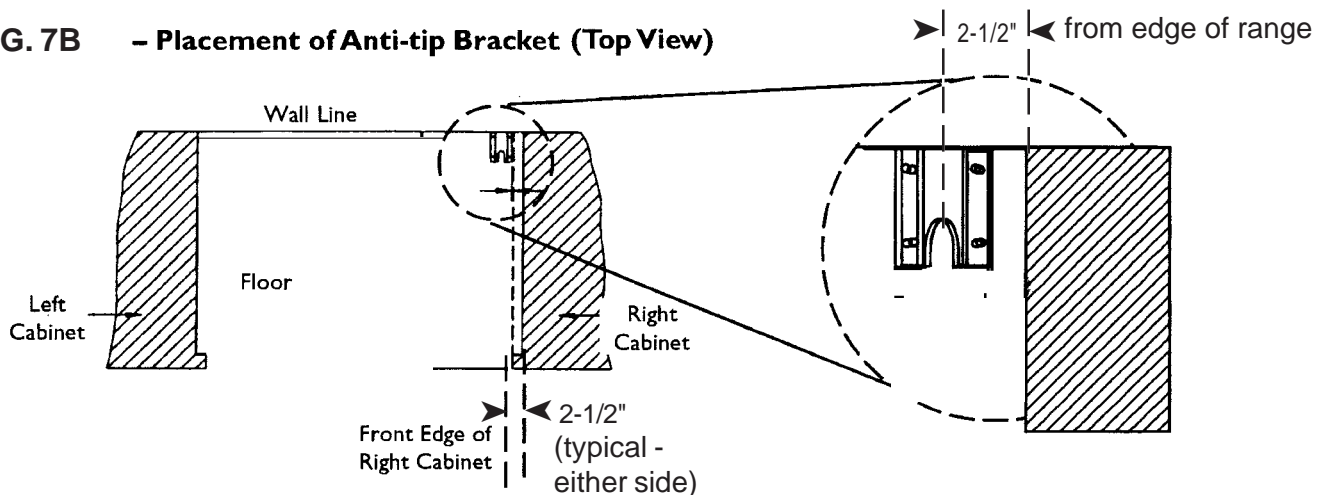


MOUNTING ANTI-TIP BRACKET

The alternative floor mounted bracket shall be installed as follows:

- Place bracket on floor in position shown in Figure 7B.
- Secure to floor or wall stud.
- Later, when the unit is installed, the adjustable leg will slide under the bracket.

FIG. 7B - Placement of Anti-tip Bracket (Top View)



Step 5: Gas Requirements and Hookup

Verify the type of gas being used at the installation site. **The appliance is shipped from the factory for use with natural gas. It must be converted for use with propane. A qualified technician or installer must do the conversion.** Make certain the range matches the type of gas available at this location.

The field conversion kit for this series of dual-fuel ranges is Thermador Model PLPKIT. Obey all instructions in PLPKIT for correct conversion of the gas regulator and settings for the gas valves.

CAUTION

When connecting unit to propane gas, make certain the propane gas tank is equipped with its own high pressure regulator in addition to the pressure regulator supplied with the appliance. The pressure of the gas supplied to the appliance regulator must not exceed 14" (34.9 mb) water column.

This appliance has been CSA certified for safe operation up to an elevation of 10,200 ft. without any modifications. Exception: For use with propane, the appliance must be converted per the LP conversion instructions.

Natural Gas Requirements:

Inlet Connection: 3/4" NPT external
1/2" NPT internal
(Minimum 3/4" diam. flex line.)
Supply Pressure: 6" min. to 14" max. water column.
(14.9 to 34.9 mb)
Manifold Pressure: 5" water column (12.5 mb)

Propane Gas Requirements:

Inlet Connection: 3/4" NPT external
1/2" NPT internal
(Minimum 3/4" diam. flex line.)
Supply Pressure: 11" min. to 14" max. water column.
(27.4 mb to 34.9 mb)
Manifold Pressure: 10" water column (24.9 mb)

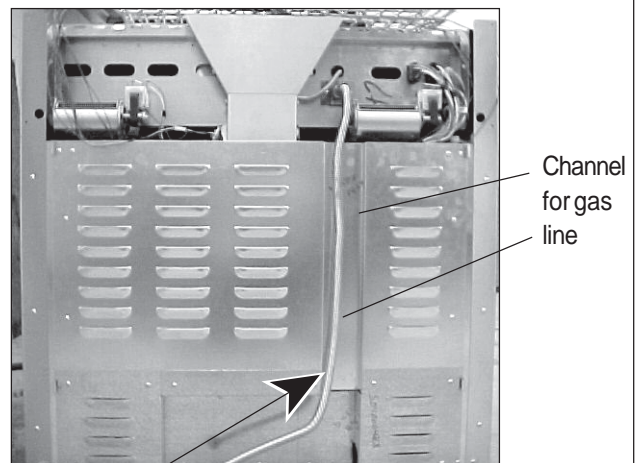
WARNING

Gas line must not come in contact with any components inside back cover of range. Run gas line in channel in back of range.

HOOK UP

- A manual gas shut-off valve must be installed external to the appliance, in a location accessible from the front, for the purpose of shutting off the gas supply. The supply line must not interfere with the back of the unit. Make sure the gas supply is turned off at the manual shut-off valve before connecting the appliance.
- The range is supplied with its own pressure regulator that has been permanently mounted within the range body.
- Use 3/4" flex line to connect between the gas supply and the appliance manifold pipe, which exits the upper rear of the appliance. The appliance manifold pipe connection has a 3/4" NPT external thread and a 1/2" NPT internal thread. (See Photo A.) Use caution to avoid crimping the 3/4" flex line when making bends.
- The gas supply connections shall be made by a competent technician and in accordance with local codes or ordinances. In the absence of a local code, the installation must conform to the National Fuel Gas Code ANSI Z223.1/NFPA54-current issue.
- Always use pipe sealing compound or Teflon® tape on the pipe threads, and be careful not to apply excessive pressure when tightening the fittings.
- Leak testing of the appliance shall be in accordance with the following instructions.
 - Turn on gas and check supply line connections for leaks using a soap and water solution.
 - Bubbles forming indicate a gas leak. Repair all leaks immediately after finding them.
 - **Do not use a flame of any kind to check for gas leaks.**

Photo A



Use 3/4" flex line to connect between the gas supply and the appliance manifold pipe, which exits the upper rear of the appliance.

Step 6: Electrical Requirements, Connection & Grounding

- Prior to installing appliance, always disconnect appliance electrical supply cord, if so equipped, from wall receptacle. If appliance is hard-wired to power supply, disconnect power to unit by turning off the proper circuit breaker or disconnecting the proper fuse. Lock service panel to prevent power from being turned ON accidentally.
- Dual Fuel range models can be connected or hard-wired to the power supply as described on Page 15.

Chart B: Electrical Supply Circuit Requirements				
MODEL TYPE	VOLTAGE	CURRENT	FREQUENCY	PHASE
30"	240/208 VAC	35 Amps	60 Hz.	Single
36"	240/208 VAC	35 Amps	60 Hz.	Single
48"	240/208 VAC	50 Amps	60 Hz.	Single

- A neutral supply wire must be provided from the power source (breaker/fuse panel) because critical range components, including the surface burner spark re-ignition module, require 120 VAC to operate safely and properly. An improper 120/240 VAC power supply will cause malfunction, damage this appliance, and possibly create a condition of shock hazard. If the correct power supply circuit is not provided, it is the responsibility and obligation of the installer and user to have proper power supply connected. This must be accomplished in accordance with all applicable local codes and ordinances by a qualified electrician. In the absence of local codes and ordinances, the power supply connection shall be in accordance with the National Electric Code.
- Observe all governing codes and ordinances when grounding. In the absence of these codes or ordinances observe National Electrical Code ANSI/NFPA No. 70 current issue. See Pages 15 and 16 for grounding method.
- Electrical wiring diagrams and schematics have been placed in the toe kick area of the range for access by a qualified service technician.
- The ranges are to be connected to a 240/208 VAC power supply.

CAUTION

The appliance must be isolated from the gas supply piping system by closing its individual manual shut-off valve during any pressure testing of the gas supply piping system at test pressures equal to or less than 1/2 psig (3.5 kPa.).

The appliance and its individual shut off valve must be disconnected from the gas supply piping system during any pressure testing of the system at test pressures in excess of 1/2 psig (3.5 kPa.).

When checking the manifold gas pressure, the inlet pressure to the regulator should be at least 6" W.C. (14.9 mb) for natural gas or 11" W.C. (27.4 mb) for propane.

Do not attempt any adjustment of the pressure regulator.

Step 6: Electrical Requirements, Connection & Grounding

Dual Fuel models must be connected to the power supply utilizing one of the following methods. For all methods of connection, the length of the cord or conduit/wiring must allow the unit to be slid completely out of the cabinet without having to unplug or disconnect the unit from the power supply. Recommended minimum free length of cord or conduit is four feet. Electrical installations and grounding must be in accordance with all local codes and ordinances, and/or the National Electric Code, as applicable.

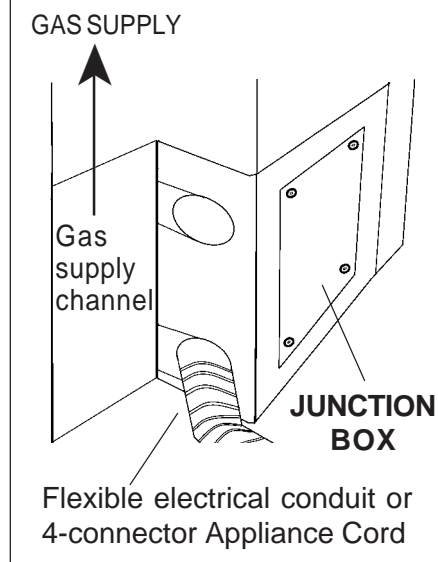
- **4-CONDUCTOR CORD - NORMALLY, A UNIT MUST BE CONNECTED TO THE POWER SUPPLY WITH A 3-POLE, 4-CONDUCTOR CORD KIT RATED 125/250 VOLTS, 50 AMPERES, AND MARKED FOR USE WITH RANGES.** The cord kit must be attached to the range junction box with a strain relief which will fit a 1" diameter hole. If not already equipped, the cord must have 1/4" faston closed-loop lugs attached to the free ends of the individual conductors, preferably soldered in place.

Wiring for the unit is to be brought into the junction box through the conduit. The ends of the wiring must have 1/4" faston closed-loop lugs attached, preferably soldered in place. Make the connections to the terminal block provided. Secure the ground lead to the junction box with the screw previously used to secure the ground strap. Refer to Fig. 11. The free end of the conduit must be connected to a junction box provided in the gas and electrical supply zone, as shown in Figure 3A on Page 7.

- **PERMANENT CONNECTION (HARD WIRING)** - Units may be hard wired to the power supply. The installer must provide approved flexible aluminum conduit, 3/4" trade size, maximum 6 feet long. Locate the junction box on the rear of the unit and remove cover. Refer to Fig.8. Remove the ground strap retaining screw and bend the ground strap up. Refer to Fig. 9. The conduit must be installed to the junction box using an approved conduit connector.

- **3-CONDUCTOR CORD - WHERE LOCAL CODES AND ORDINANCES PERMIT GROUNDING THROUGH NEUTRAL, AND CONVERSION OF SUPPLY TO 4 WIRE IS IMPRACTICAL, UNIT MAY BE CONNECTED TO THE POWER SUPPLY WITH A 3-POLE, 3-CONDUCTOR CORD KIT RATED 125/250 VOLTS, 50 AMPERES, AND MARKED FOR USE WITH RANGES.**

FIG. 8 – Location of Junction Box on dual fuel ranges



The cord kit must be attached to the range junction box with a strain relief which will fit a 1" diameter hole. If not already equipped, the cord must have 1/4" faston closed-loop lugs attached to the free ends of the individual conductors, preferably soldered in place.

Installer - show the owner the location of the circuit breaker or fuse. Mark it for easy reference.

Step 6: Electrical Requirements, Connection & Grounding

A 3- or 4-conductor supply may be connected to the terminal block.

3-WIRE LEAD CONNECTION

1. Remove upper nuts only from the terminal block studs. **Do not remove nuts which secure range internal wiring leads.**
2. Secure the neutral, grounded wire of the supply circuit, to the center stud of the terminal block with nut. (See Fig. 10).
3. Secure the L1 (black) and L2 (red) power leads to the outside terminal block studs (brass colored) with nuts.
4. Tighten nuts securely.

4-WIRE CONNECTION

1. Remove upper nuts only from the terminal block studs. **Do not remove lower nuts which secure range internal wiring leads.**
2. Remove ground strap screw and bend the strap up as shown in Fig. 11.
3. Secure the neutral wire to the center stud of the terminal block with nut.
4. Secure the L1 (black) and L2 (red) power leads to the outside terminal studs (brass colored) with nuts.
5. Secure the bare copper ground lead to the range chassis using the ground screw previously used for the ground strap. Be sure that neutral and ground terminals do not touch.
6. Tighten all connections securely.

FIG. 9 Conductor Securement

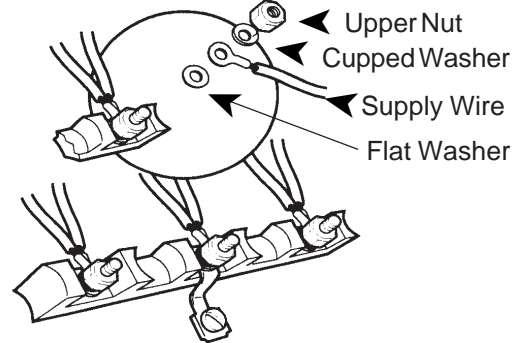


FIG. 10 3 Wire Connection

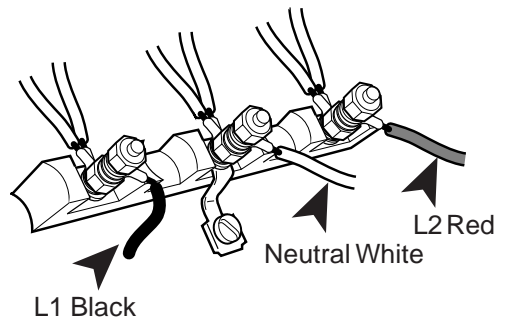


FIG.11 Ground Strap

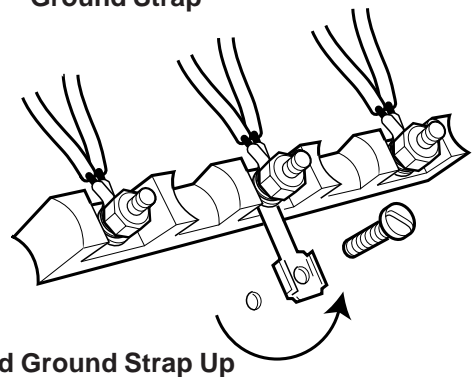
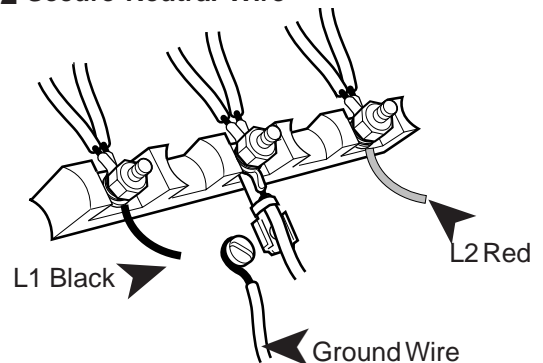


FIG. 12 Secure Neutral Wire



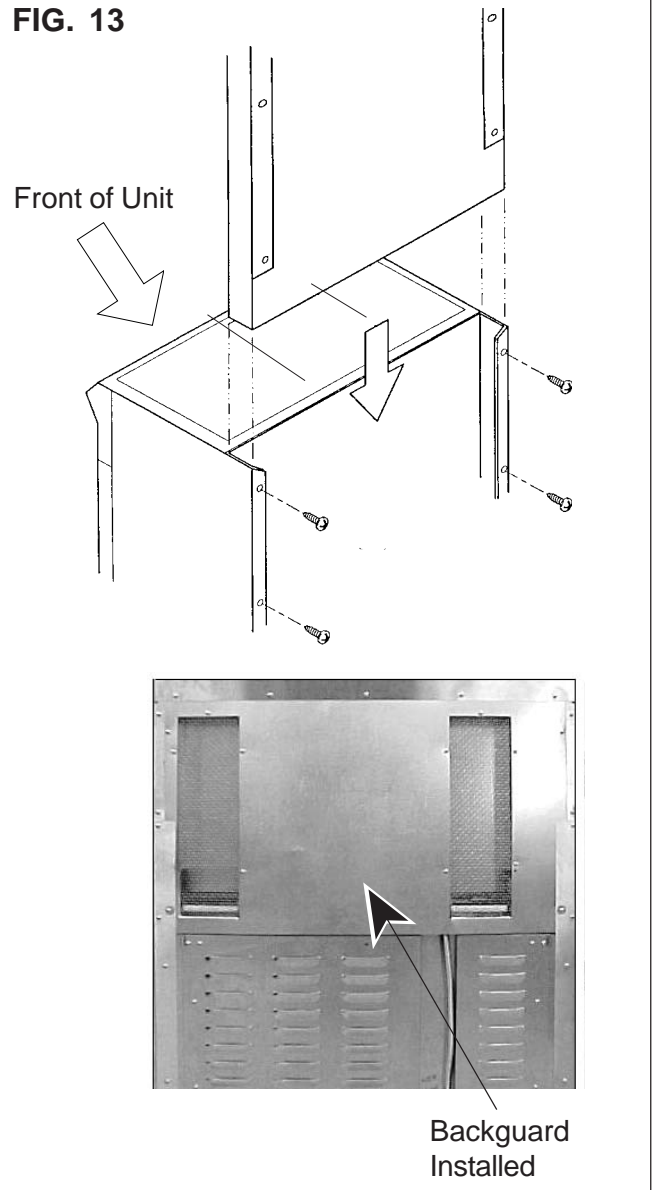
Step 7: Backguard Installation

The backguard must be attached before sliding the range into the final installed position. A Low Back or Pot and Pan Shelf must be installed when there is less than a 12" clearance between combustibles and the back of the range above the cooking surface. (See Fig. 2A and 2B on Page 5).

An Island Trim is available for covering the backguard mounting flanges for island installations, where there is a minimum of 12" of horizontal clearance behind the island trim. (See Fig. 2B on Page 5).

The backguard is inserted, as shown in Fig. 13, into the guide channels on the back of the range. Secure the backguard with the (4) sheet metal screws provided.

FIG. 13



WARNING

To avoid possible burn or fire hazard, a backguard designed specifically for this range must be installed whenever the range is used.



CAUTION:

The Pot and Pan Shelf can get very hot!
DO NOT place the following items on top of the Pot and Pan Shelf:

- plastics or containers that can melt
- flammable items
- a total load over 30 pounds (13.6kg)

Chart C: BACKGUARD KIT MODEL NUMBERS

MODEL	9" STD. LOWBACK	12" LOWBACK	22" POT AND PAN SHELF	3-3/4" ISLAND TRIM
30"	Included	N/A	HS30R	IT30R
36"	N/A	LB36R	HS36R	IT36R
48"	N/A	LB48R	HS48R	IT48R

Step 8: Door Removal and Installation



CAUTION

USE CAUTION WHEN REMOVING THE DOOR. THE DOOR IS VERY HEAVY.

- Make sure oven is cool and power to oven has been turned off. Failure to do so could result in electrical shock or burns.
- The oven door is heavy and fragile. Use both hands to remove or replace the door.
- Grasp only the ends of the oven door handle.
- Failure to grasp the oven door firmly and properly could result in personal injury and product damage.
- With the door off, never release the levers and try to close the hinges. Without the weight of the door, the powerful springs will snap the hinges closed with great force.

To Remove the Oven Door:

- Open the door fully and use a screwdriver to pry the hinge clips away from the hinge slots. (See Photo B.)
- Flip the hinge clip toward you. (See Photo C.)
- Close the door until it stops against the hinge clips. The open hinge clips will hold the door open at a slight angle.
- Grasp the door firmly on the ends of the door handle, and lift the door up. (There will be some spring resistance to overcome.) When the door is lifted sufficient to clear the hinge hooks, the door can be pulled straight out. (See Photo D.)
- Place the door in a safe and stable location.

To Reinstall the Oven Door:

- Position the door at a slight angle and insert the hinges into the hinge slots - one on each side of the range. The hinges will securely hook into the slots when properly installed. Do not force, bend, or twist the door.

Tip: Rest the door on your foot while using your leg for stability.

- Open the door fully and use a screwdriver to push the hinge clips all the way into the hinge slots. Be careful not to scratch the range during this process.

To Check Door Fit and Operation:

- Open and close the door slowly to test the movement and the fit of the door to the oven cavity. Do not force the door to open or close. If the door is properly installed, it should move smoothly and rest straight on the front of the range when closed.
- If the door does not operate correctly, verify that the hinges are properly seated into the hinge slots, and that the hinge clips are fully engaged into the slots.

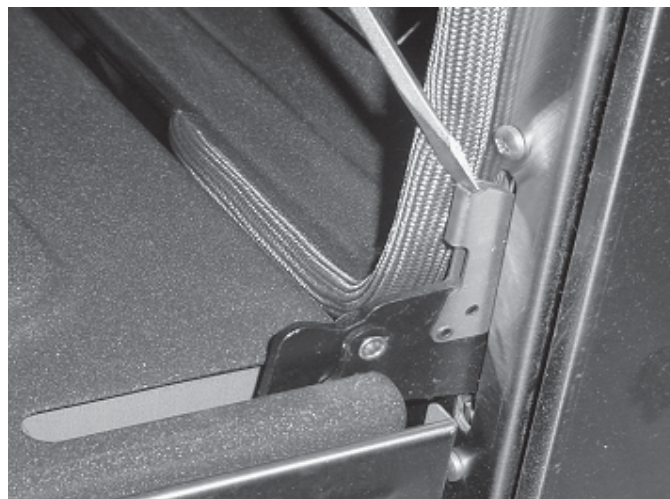


Photo B. Pry hinge clips out using a screwdriver.



Photo C. Flip hinge clips toward you.



Photo D. Hinges removed from oven.

Step 9: Burner Test and Adjustment

Install any loose components, such as burner caps and grates, that may have been removed earlier. Be certain that burner caps seat properly into the burner bases. Before testing operation of the appliance, verify that the unit and the gas supply have been carefully checked for leaks and that the unit has been connected to the electrical power supply. Turn the manual gas shut-off valve to the open position.

Test Rangetop Burners

Test Burner Ignition. Select a rangetop burner knob. Push down and turn counterclockwise to HI. The ignitor/spark module will produce a clicking sound. Once the air has been purged from the supply lines, the burner should light within four (4) seconds.

Test Flame: High Setting. Turn burner on to HI. See Figure 14 for appropriate flame characteristics.

If any of the rangetop burners continue to burn mostly or completely yellow, verify that the burner cap is positioned properly on the burner base, then retest. If flame characteristics do not improve, call Thermador®.

Test Flame: Low Setting. Turn burner on to LO. Verify that the flame completely surrounds the burner. There should be a flame at each burner port and there should be no air gap between the flame and the burner. If any burners do not carry over, call Thermador®.

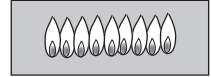
The two rangetop burners on the left side feature XLO®, causing the flame to cycle on and off when the knob is set to the XLO range. This is normal operation.

Repeat the Ignition and Flame Test procedures, described above for each rangetop burner and the grill burner (if so equipped).

FIG. 14 Flame Characteristics

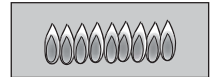
Yellow Flames:

Further adjustment is required.



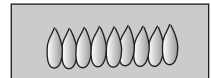
Yellow Tips on Outer Cones:

Normal for LP Gas.



Soft Blue Flames:

Normal for Natural Gas.



If the flame is completely or mostly yellow, verify that the regulator is set for the correct fuel. After adjustment, retest.

Some orange-colored streaking is normal during the initial start-up.

Allow unit to operate 4-5 minutes and reevaluate before making adjustments.

WHEN FLAME IS PROPERLY ADJUSTED:

There should be a flame at each burner port.

There should be no air gap between the flame and burner port.

The gas grill uses a tube-style burner that has an air shutter which allows adjustment to the amount of the primary air inside the burner tube.

Air shutters of tube-style burners are pre-adjusted at the factory, and usually do not require readjustment except under rare conditions such as installation at high altitude.

If grill burner/flame adjustment is required, go to the procedure: "Flame Adjustment (if necessary)".

Step 9: Burner Test and Adjustment

Flame Adjustment (if necessary):

Tube-style gas burners used in Thermador® appliances have air shutter systems which are similar to the illustration in Figure 15, and can be adjusted using the following method (unless adjustment is not recommended). It is necessary to remove the burner from the appliance in order to perform air-shutter adjustments.

- Loosen shutter screw(s) and turn shutter to new position.
- Adjust the shutter to more-closed position if the flame is lifting or blowing, or is not carrying over. Adjust the shutter to more-open position if the flame is too yellow. (See Figure 15.)
- Retighten the shutter screw(s).
- After adjustment, reinstall the burner and perform flame evaluation. The air shutter must fit over the orifice hood for proper operation of the burner.
- Repeat procedure as needed until flame characteristics are acceptable. (See Figure 14).

WARNING

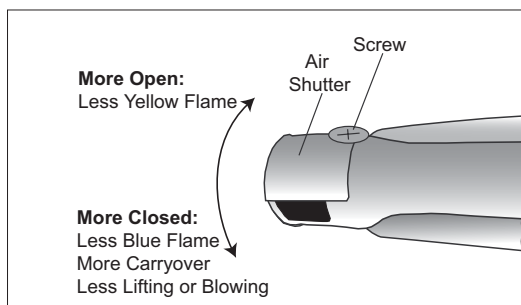
Burner adjustments must be performed by a qualified technician. Improper adjustments may cause harmful by-products or void the appliance's warranty.

Allow burners to cool before attempting to remove them!

Call Thermador® if:

- 1. Any of the burners do not light.**
- 2. Any of the burners continue to burn yellow.**

FIG. 15 Air Shutter Adjustment (if necessary)



INSTALLER CHECKLIST

FINAL CHECK LIST

- Specified clearances maintained to cabinet surfaces.
- Unit Level – front to back – side to side.
- Burner caps positioned properly on burner bases.
- All packaging material removed.
- Island trim or backguard attached according to instructions.
- Kick panel in place and two (2) screws secure.
- The grill and/or griddle plate is correctly positioned, tilted slightly forward. (See page 9 for adjustment procedure.)

GAS SUPPLY

- The appliance is connected only to the type of gas for which it is certified for use.
- Manual gas shut off valve installed in an accessible location (without requiring removal of range).
- Unit tested and free of gas leaks.
- If used on propane gas, verify that the propane gas supply is equipped with its own high pressure regulator in addition to the pressure regulator supplied with the appliance.

ELECTRICAL

- Receptacle with correct over-current protection is provided for service cord connection.
- Proper ground connection.

OPERATION

- Bezels centered on burner knobs, and knobs turn freely.
- Each burner lights satisfactorily, both individually and with other burners operating.
- Oven door hinges seated and door alignment is in proper position. Door opens and closes properly.
- Burner grates correctly positioned.
- INSTALLER:** Leave the Care and Use Manual and Installation Instructions with the owner of the appliance.

To Clean and Protect Exterior Surfaces

The stainless steel surfaces may be cleaned by wiping with a damp soapy cloth, rinsing with clear water and drying with a soft cloth to avoid water marks. Any mild glass cleaner will remove fingerprints and smears.

For discolorations or deposits that persist, refer to the Care and Use Manual.

To polish and protect the stainless steel, use a cleaner/polish such as Stainless Steel Magic®.

DO NOT allow deposits to remain for long periods of time.

DO NOT use ordinary steel wool or steel brushes. Small bits of steel may adhere to the surface causing rust.

DO NOT allow salt solutions, disinfectants, bleaches or cleaning compounds to remain in contact with stainless steel for extended periods. Many of these compounds contain chemicals which could prove harmful. Rinse with water after exposure and wipe dry with a clean cloth.

NOTES

Veillez lire toutes les instructions avant de poursuivre

Important : Conservez ces instructions pour l'inspecteur local de la compagnie de gaz et électricité.

Installateur : Veillez laisser ces instructions d'installation avec l'appareil pour le propriétaire.

Propriétaire : Veillez conserver ces instructions pour consultation ultérieure.



AVERTISSEMENT

Coupez l'électricité avec d'installer l'appareil. Avant de remettre l'électricité, assurez-vous que toutes les commandes sont à la position **OFF**.

IMPORTANT

Les réglementations locales varient. L'installation, les raccordements au gaz et les mises à la terre doivent être conformes à toutes les réglementations applicables.

Pour les installations au Massachusetts :

1. L'installation doit être réalisée par un entrepreneur qualifié ou agréé, un plombier ou un installateur de gaz qualifié ou autorisé par l'État ou la région dans laquelle cet appareil est posé.
2. Le robinet d'arrêt de gaz doit être pourvu d'une poignée en « T ».
3. La longueur maximum autorisée du tuyau de gaz est de 91,4 cm (36 ").



AVERTISSEMENT

L'information fournie dans ce manuel doit être très rigoureusement respectée, sous peine d'incendie ou d'explosion entraînant des dommages, des blessures ou la mort.

— Ne stockez pas et n'utilisez pas d'essence ou autres produits inflammables à proximité des appareils.

— SI VOUS SENTEZ UNE ODEUR DE GAZ

- N'allumez aucun appareil.
 - Ne touchez pas aux interrupteurs électriques.
 - N'utilisez pas les téléphones du bâtiment.
 - Appelez immédiatement votre compagnie de gaz de chez un voisin. Suivez les instructions de la compagnie.
 - Si vous n'arrivez pas à contacter votre compagnie de gaz, appelez les pompiers.
- L'installation et les réparations doivent être réalisées par un installateur qualifié, un centre de service agréé ou la compagnie de gaz.



AVERTISSEMENT



■ **LES CUISINIÈRES PEUVENT BASCULER.**

■ **DES PERSONNES PEUVENT ÊTRE BLESSÉES.**



■ **INSTALLEZ UN DISPOSITIF ANTIBASCULE.**

■ **CONSULTEZ LES INSTRUCTIONS D'INSTALLATION.**

POUR DIMINUER LES RISQUES DE BASCULEMENT DE L'APPAREIL, INSTALLEZ UN DISPOSITIF ANTIBASCULE. ASSUREZ-VOUS QUE LE DISPOSITIF ANTIBASCULE EST CORRECTEMENT PLACÉ, CONFORMÉMENT AUX INSTRUCTIONS D'INSTALLATION. (REMARQUE : LE DISPOSITIF ANTIBASCULE EST OBLIGATOIRE SUR TOUTES LES CUISINIÈRES DE 76,2 CM [30"] ET DE 91,4 CM [36 "]).

Remarque: Cette cuisinière N'EST PAS conçue pour les maisons mobiles ni pour les véhicules récréatifs.

NE PAS installer cette cuisinière à l'extérieur.

Table des matières

Informations importantes à propos de l'installation	1
Chapitre 1 : Exigences de ventilation	2
Chapitre 2 : Préparation de l'emplacement	3 – 7
Chapitre 3 : Déballage, manutention et mise en place de la cuisinière	8 – 9
Chapitre 4 : Installation du dispositif antibascule.. .	10 – 11
Chapitre 5 : Exigences pour l'alimentation du gaz et raccordement	12
Chapitre 6 : Exigences pour l'alimentation électrique, le branchement et la mise à la terre	13 – 15
Chapitre 7 : Installation de la plaque de protection	16
Chapitre 8 : Enlever et installation de la porte	17
Chapitre 9 : Test et réglage de brûler	18 - 19
Liste de vérification de l'installateur	20
Nettoyage et protection des surfaces extérieures	20

Information Importante concernant l'installation

VÉRIFICATION DU TYPE DE GAZ

Vérifiez quel est le type de gaz fourni sur le lieu d'installation. L'appareil doit être raccordé au type de gaz pour lequel il est certifié. Toutes les cuisinières sont certifiées pour une utilisation avec du gaz naturel. Pour convertir l'appareil au gaz propane sur le lieu d'installation, une trousse de conversion est nécessaire.

IMPORTANT

- Une plaque de protection doit être mise en place lorsque le dégagement horizontal entre les matériaux combustibles et le bord arrière de la cuisinière est inférieur à 30,5 cm (12"). La plaque de protection basse Thermador doit être commandée séparément et installée à l'arrière de la cuisinière. Pour les installations en îlot et autres installations avec un dégagement de plus de 30,5 cm (12"), un enjoliveur en acier inoxydable est vendu en option afin de recouvrir les brides de montage de la plaque de protection.
- Assurez-vous que l'appareil convient au type de gaz fourni. Consultez le Chapitre 5 à la page 12 avant de procéder à l'installation.

Alimentation pour le gaz :

Gaz naturel - 14.9 mb min. la colonne d'eau (6"),
34,9 mb la colonne d'eau max. (14")

Gaz propane - 14.9 mb min. la colonne d'eau (6"),
34,9 mb la colonne d'eau max. (14")

Cet appareil a été testé conformément aux normes ANSI Z21.1, pour les appareils de cuisson résidentiel (É.-U.) et avec CAN 1.1-M81 pour les cuisinières à gaz résidentielles (Canada).

Il est fortement recommandé que cet appareil soit installé avec une hotte suspendue appropriée. (Voir étape 1 pour les exigences de ventilation.). À cause de la chaleur intense depuis cet appareil, il faut porter une attention particulière à l'installation de la hotte et des conduits afin de s'assurer qu'ils répondent aux codes de construction locaux.

Vérifier les codes de construction locaux quant aux méthodes appropriées pour l'installation de l'appareil. Les codes locaux varient. L'installation, les connexions électriques et la mise à la terre doivent être conformes à tous les codes applicables. En l'absence des codes locaux, l'appareil doit être installé conformément au Code national de combustion à gaz ANSI Z223.1/NFPA 54, dernière édition, et le Code national d'électricité ANSI/NFPA 70-, dernière édition. Au Canada, l'installation doit être conforme à CAN 1-

B149.1 and .2, Code d'installation pour les appareils à combustion à gaz et/ou les codes locaux.

Cet appareil est conforme avec une ou plusieurs des normes suivantes :

- UL 858, norme pour la sécurité des cuisinières électriques domestiques
- UL 923, norme pour la sécurité des appareils de cuisson à micro-ondes
- UL 507, norme pour les ventilateurs électriques
- ANSI Z21.1, norme nationale américaine pour les appareils de cuisson à gaz domestiques
- CAN/CSA-C22.2 n° 113-M1984 ventilateurs et hottes
- CAN/CSA-C22.2 n° 61-M89 cuisinières domestiques

Il incombe au propriétaire et à l'installateur de déterminer si des exigences et/ou normes additionnelles s'appliquent pour une installation spécifique.

Cet appareil est doté d'un dispositif d'allumage intermittent/interruption effectuant un cycle aux deux brûleurs de surface gauches lorsque réglé ExtraLow®.

À cause de la chaleur intense des brûleurs de la surface de cuisson, l'installation d'un four à micro-ondes avec un système de ventilation au-dessus de la surface de cuisson n'est pas recommandée.



MISE EN GARDE

Pour éliminer les risques de brûlures ou d'incendie provoqués par la chaleur, il est conseillé d'éviter d'installer des armoires au-dessus des tables de cuisson des appareils.



MISE EN GARDE

Si l'appareil est alimenté au gaz propane, assurez-vous que le réservoir de propane est équipé de son propre détendeur en plus du détendeur fourni avec la cuisinière. **La pression maximum d'arrivée du gaz dans cet appareil ne doit pas dépasser les 34,9 millibars (14 pouces à la colonne d'eau) entre le réservoir de propane et le détendeur.**



MISE EN GARDE

Cet appareil est conçu pour un usage culinaire. Pour des raisons de sécurité, ne l'utilisez jamais pour chauffer une pièce

Chapitre 1 : Exigences de ventilation

Il est fortement recommandé d'installer une hotte de ventilation appropriée au-dessus de la cuisinière. Une ventilation par contre-tirage ne devrait pas être utilisée. Le tableau ci-dessous énumère, par numéro de modèle, les hottes Thermador qu'il est conseillé d'utiliser avec les cuisinières.

1. Choix du modèle de hotte et de ventilateur

- Pour les installations murales, la largeur de la hotte doit être au minimum égale à celle de table de cuisson de la cuisinière. Si l'espace le permet, il est souhaitable d'installer une hotte plus large que la table de cuisson pour améliorer les performances de ventilation.
- Pour les installations en îlot, la largeur de la hotte devrait dépasser d'au minimum 8 cm (3") des deux côtés de la table de cuisson de la cuisinière.

MISE EN GARDE

Les hottes de ventilation et les ventilateurs sont conçus pour une seule conduite murale. Certaines réglementations locales du secteur du bâtiment exigent toutefois une double conduite. Consultez les normes applicables et/ou l'administration locale avant de commencer les travaux afin de vous assurer que l'installation des conduites répond aux exigences locales.

Ne pas installer un combiné hotte/four à micro-ondes au-dessus des surfaces de cuisson. Ces appareils n'assurent pas une ventilation appropriée et ne conviennent pas aux surfaces de cuisson.

2. Emplacement de la hotte

- Pour une meilleure élimination des fumées, le bord inférieur de la hotte doit être placé au-dessus de la table de cuisson (voir Figure 1).
- Si la hotte contient des matériaux combustibles (par exemple, un placage en bois), elle doit être placée à 91,4 cm (36") au minimum au-dessus de la table de cuisson.

3. Apport d'air

- Un important volume d'air étant nécessaire pour la ventilation, il est recommandé de prévoir un apport d'air de l'extérieur. Cet aspect revêt une importance particulière dans les logements bien isolés et très étanches.
- Il est conseillé de consulter un entrepreneur en chauffage et en climatisation.

LARGEUR DE LA CUISINIÈRE	INSTALLATION MURALE		INSTALLATION EN ÎLOT	
	HOTTE*	VENTILATEUR**	HOTTE*	VENTILATEUR**
CUISINIÈRE DE 76,2 CM (30 po)	PH30CS, PHE30 / 36	VTR1030D, VTR1530D, ou VTN1030C	HNI42YS HTNI42YS	VTR1030D, ou VTR1530D
	HNW36YS	VTR1030D ou VTR1530D		
CUISINIÈRE DE 91,4 CM (36 po)	PH36CS / 42CS PHE36 / 42	VTR1030D, VTR1530D, ou VTN1030C	HNI42YS HTNI42YS	VTR1030D, ou VTR1530D
	HNW36YS / 42YS	VTR1030D ou VTR1530D		
CUISINIÈRE DE 121,9 CM (48 po)	PH48CS / 54CS PHE48 / 60	VTR1030D, VTR1530D, ou VTN1030C	HTNI48YS / 54YS HTNI48YS / 54YS	VTR1530D
	HNW48YS	VTR1030D ou VTR1530D		

Remarques : * Pour les installations murales, si l'espace est suffisant, l'installateur ou l'utilisateur peut choisir une hotte plus large que la table de cuisson de la cuisinière. Ceci peut être avantageux pour les installations ayant un long conduit ou une utilisation accrue du gril ou du wok ; d'où l'importance de capter l'échappement de cuisson.

** Pour les installations murales, Thermador propose des modèles de ventilateurs à distance (VTR1030D ou VTR1530D) ou incorporés dans la hotte (VTN1030C).

Chapitre 2 : Préparation de l'emplacement

1. La cuisinière est un appareil monobloc. Si elle est placée au milieu des armoires, les dégagements requis sont indiqués à la Figure 1. Les mêmes dégagements s'appliquent aux installations en îlot, excepté pour les armoires suspendues qui doivent laisser un espace suffisamment grand pour poser la hotte d'îlot évasée, comme le montre la Figure 1.
2. Les cuisinières de 91,4 cm (36") peuvent être encadrées entre les armoires au-delà du bord de la partie frontale du four (voir Figures 2A et 2B). Les cuisinières de 76,2 cm (30") et de 121,9 cm (48") ne sont pas homologuées pour être installées à ras des armoires.
4. Toute ouverture dans le mur qui se trouve derrière la cuisinière et dans le plancher sous la cuisinière doit être refermée.
5. Si la distance entre un matériau combustible Δ et le bord arrière de la cuisinière au-dessus de la table de cuisson est de moins de 30,5 cm (12"), il est obligatoire d'installer une plaque Thermador de protection arrière, basse ou tablette à casserole (voir Figure 2A). Si la distance du matériau combustible Δ est supérieure à 30,5 cm (12"), il est possible d'utiliser un enjoliveur Thermador pour îlot (voir Figure 2B). Les Figures 2A et 2B indiquent l'espace nécessaire pour chaque type de plaque de protection.



MISE EN GARDE

Dans ce type d'installation pour les cuisinières de 91,4 cm (36"), la porte et l'armoire peuvent comporter un risque de pincement.

3. Les arrivées d'électricité et de gaz doivent se trouver dans les zones indiquées à la Figure 3A.
6. Un dégagement minimum de 3 po est nécessaire lorsque la cuisinière est installée à côté d'un mur latéral combustible.
7. L'appareil ne doit jamais se trouver à proximité de matériaux combustibles, d'essence et d'autres produits inflammables (vapeurs ou liquides).
8. L'air de combustion et de ventilation arrivant à l'appareil doit pouvoir circuler librement dans les conduites.

REMARQUE : La profondeur maximum des armoires en hauteur installées d'un côté ou de l'autre de la hotte est de 33 cm (13").

Un dégagement minimum de 91,4 cm (36") est nécessaire entre le dessus de la surface de cuisinière et le dessous d'une armoire non protégée. Si le dessous de l'armoire en bois ou en métal est protégé par un matériau ignifuge d'au moins 6,35 mm (1/4") revêtu d'une feuille d'acier n° 28 MSG d'au moins la même épaisseur, de 0,38 mm (0.015") d'acier inoxydable, de 0,6 mm (0.024") d'aluminium ou de 0,5 mm (0.02") de cuivre, la distance minimum de 91,4 cm (36") est exigée. Les matériaux ignifuges portent la marque :

**UNDERWRITERS LABORATORIES INC.
CLASSIFIED MINERAL AND FIBER BOARDS
SURFACE BURNING CHARACTERISTICS,**

(panneaux de fibres et minéraux classés, caractéristiques d'inflammation des surfaces), suivie des taux de progression des flammes et des fumées. Ces désignations sont indiquées par « FHC » (Flame Spread/Smoke Developed – Progression des flammes/Production de fumée). Les matériaux ayant un taux « O » de progression de flammes sont ignifuges. Les réglementations locales peuvent autoriser d'autres taux de progression des flammes.

Δ Tel que définit dans le code national de combustible à gaz (ANSI Z223.1, dernière édition).

Chapitre 2 : Préparation de l'emplacement

⚠ MISE EN GARDE

N'installez pas les modèles de cuisinières de 76,2 cm (30") et 121,9 cm (48") de telle sorte que la porte du four soit au ras de la partie frontale des armoires. Une installation à même niveau risque d'endommager les armoires dû à leur exposition à la chaleur.

Conversion des mesures

76,2 cm = 30"

91,4 cm = 36"

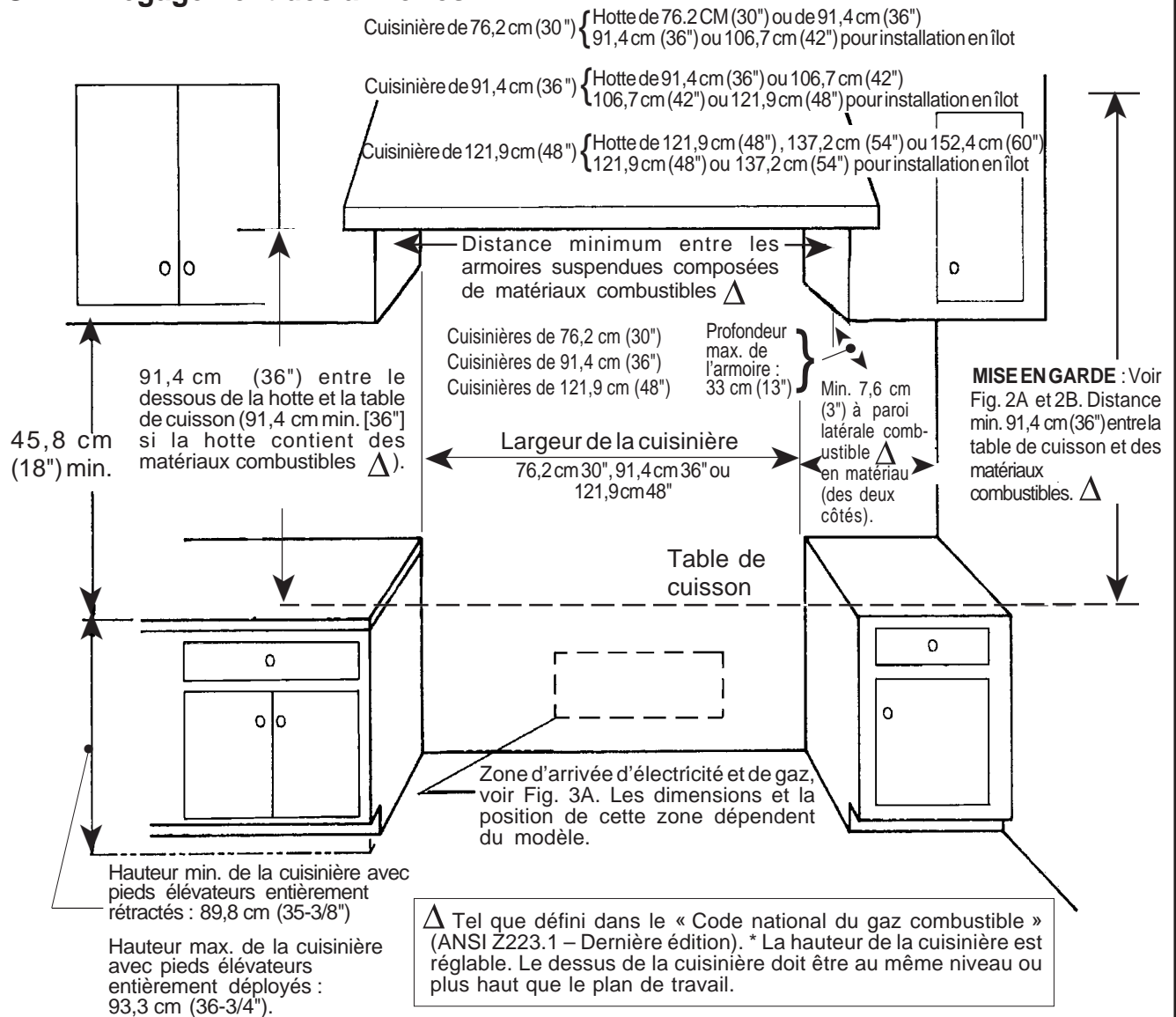
106,7 cm = 42"

121,9 cm = 48"

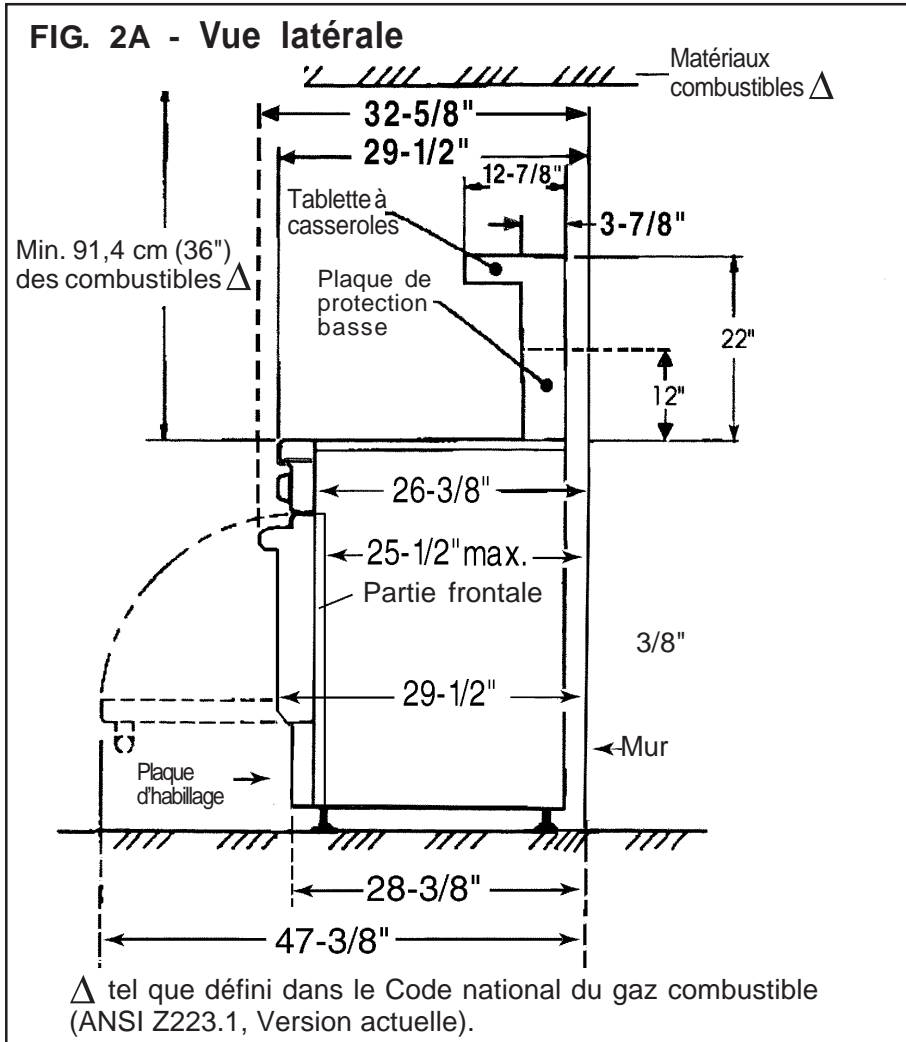
137,2 cm = 54"

152,4 cm = 60"

FIG. 1 – Dégagement des armoires

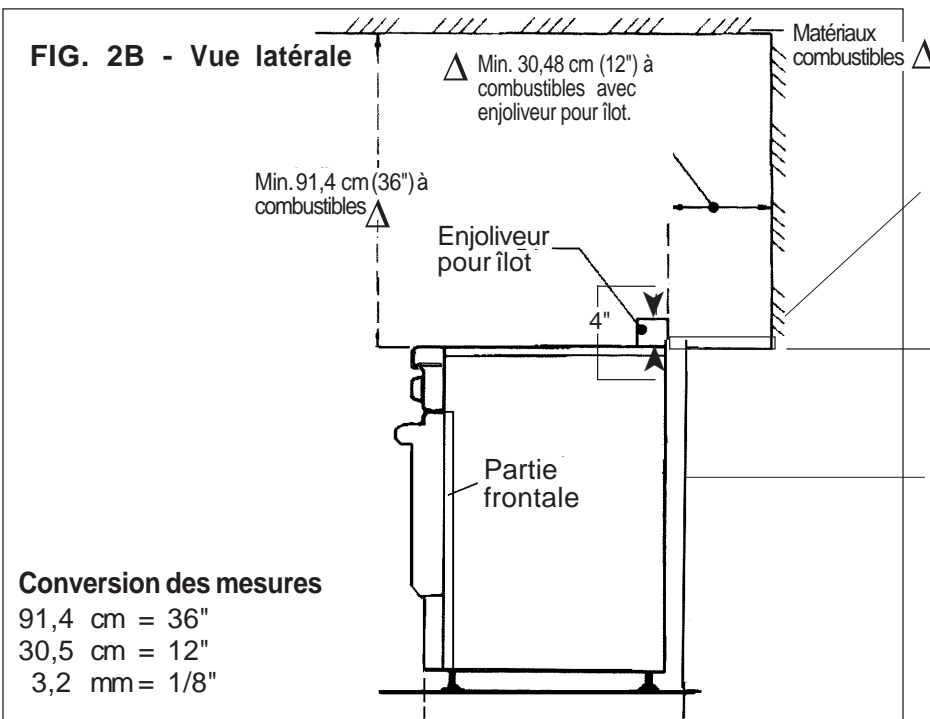


Chapitre 2 : Préparation de l'emplacement



Conversions de mesures

9,5 mm	=	3/8"
9,8 cm	=	3-7/8"
30,4 cm	=	12"
32,7 cm	=	12-7/8"
55,9 cm	=	22"
64,7 cm	=	25-1/2"
66,9 cm	=	26-3/8"
72,1 cm	=	28-3/8"
74,9 cm	=	29-1/2"
82,9 cm	=	32-5/8"
120,3 cm	=	47-3/8"



REMARQUE :

Pour installer l'enjoliveur pour îlot, le plan de travail doit avoir un bord en porte-à-faux venant se placer bord à bord avec l'arrière de l'enjoliveur.

Plan de travail en porte-à-faux

REMARQUE :

Si une paroi interne est utilisée sous le plan de travail en porte-à-faux, la distance entre cette paroi et l'arrière de la cuisinière doit être de 3,2 mm (1/8").

Chapitre 2 : Préparation de l'emplacement

ARRIVÉE DU GAZ ET DE L'ÉLECTRICITÉ

Figure 3A : Arrivée du gaz et de l'électricité de toutes les cuisinières mixtes

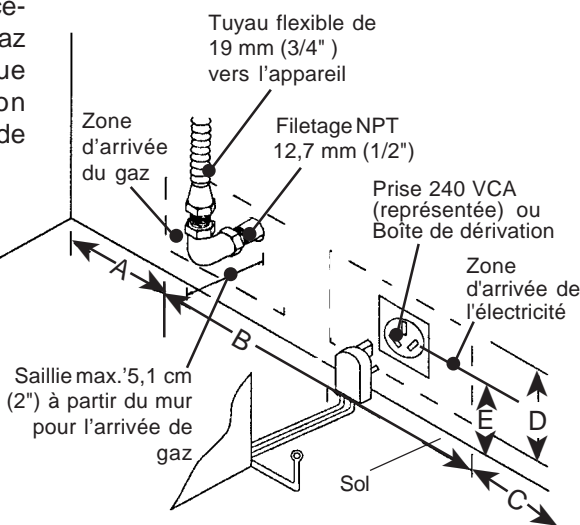
Le placement typique montré. L'autre placement de provision de gaz et la prise électrique et de zone de gaz est acceptable.

REMARQUE:

Si non déjà en place, installer une soupape d'arrêt de gaz dans un endroit facilement accessible. S'assurer que tous les utilisateurs en connaissent l'emplacement et sachent comment fermer l'alimentation en gaz à la cuisinière.

REMARQUE:

l'installateur doit aviser le consommateur de l'emplacement de la soupape d'arrêt de gaz.



Modèle	A	B	C	D	E
30"	20,3cm	30,5cm	25,4cm	16,5cm	13,3cm
36"	26,4cm	38,1cm	26,4cm	16,5cm	13,3cm
48"	41,9cm	40,6cm	39,4cm	16,5cm	13,3cm

REMARQUE : Toute ouverture dans le mur se trouvant derrière l'appareil ou dans le plancher sous l'appareil doit être bouchée.

Toutes les cuisinières mixtes peuvent être raccordées au secteur à l'aide du cordon d'alimentation fourni avec la cuisinière ou bien directement câblées. L'installateur doit fournir les éléments de câblage qui conviennent (cordon ou conduite et câbles) et réaliser le raccordement au gaz conformément à la réglementation locale et/ou au Code national d'électricité. Les appareils doivent être mis à la terre. Voir le Chapitre 6 pour plus de détails.

La cuisinière ne doit être raccordée qu'au type de gaz pour lequel elle est certifiée. Si elle est raccordée au gaz propane, le réservoir de propane doit être doté de son propre détendeur en plus du détendeur fourni avec la cuisinière (voir Chapitre 5).

Conversions de mesures

- 20,3 cm = 8"
- 30,5 cm = 12"
- 25,4 cm = 10"
- 16,5 cm = 6-1/2"
- 26,4 cm = 10-1/2"
- 38,1 cm = 15"
- 39,4 cm = 15-1/2"
- 40,6 cm = 16"
- 41,9 cm = 16-1/2"

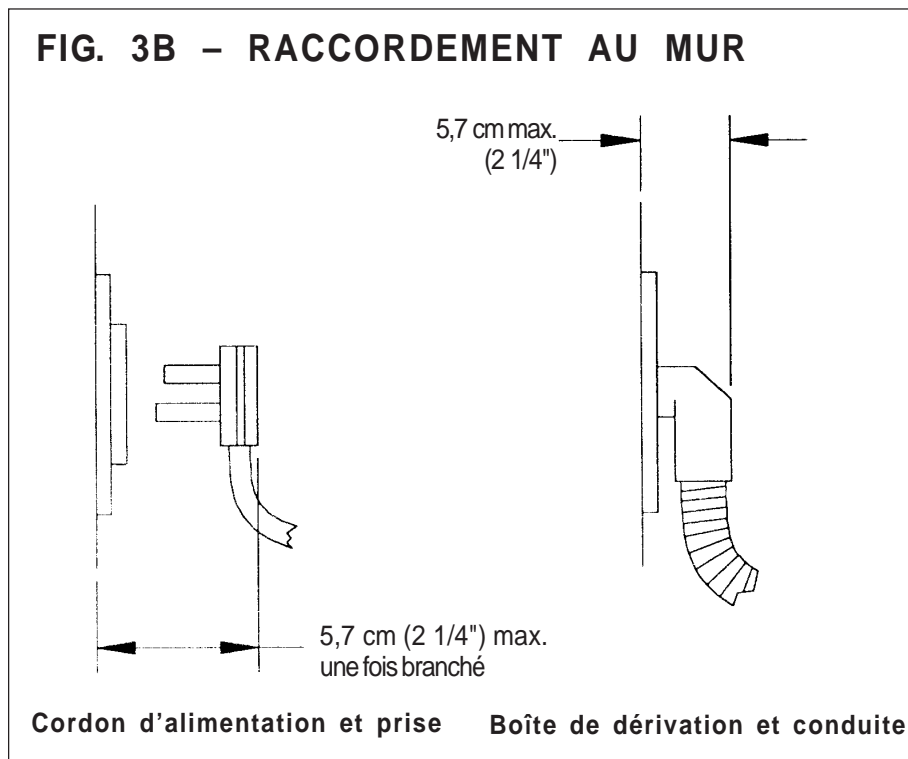
Chapitre 2 : Préparation de l'emplacement

ALIMENTATION ÉLECTRIQUE

L'installation des cuisinières doit être planifiée de sorte que la boîte de dérivation pour la prise ou la connexion de la conduite laisse le maximum d'espace à l'arrière de l'appareil.

Quand le cordon d'alimentation électrique (non fourni) ou la conduite sont connectés à la prise ou à la boîte de dérivation, l'ensemble prise/prise murale ou couvercle de boîte de connexion/connecteur de conduite ne doit pas former une saillie de plus de 5,7 cm (2-1/4") à l'arrière. Reportez-vous à la Figure 3B.

Ce point est particulièrement important si la boîte de dérivation murale se trouve juste derrière la boîte de dérivation de l'appareil une fois celui-ci installé. Reportez-vous à la Figure 8 de la page 14 pour l'emplacement de la boîte de dérivation sur l'appareil. Afin de minimiser les torsions lors du branchement de l'appareil à la prise ou à la boîte, orientez en premier lieu la prise ou le connecteur de la conduite et faites glisser sur la position.



Chapitre 3 : Déballage, manutention et mise en place de la cuisinière



MISE EN GARDE

Un équipement adapté manipulé par du personnel expérimenté doit être utilisé pour déplacer la cuisinière afin de ne pas endommager l'appareil ni le plancher. La cuisinière est lourde et repose sur des pieds réglables en acier.

- Le poids approximatif de la cuisinière à l'expédition est celui qui est indiqué au Tableau A. Les grilles des brûleurs, la plaque de cuisson, les chapeaux des brûleurs, la plaque d'habillage et les grilles du four pour faciliter la manutention. Le poids de l'appareil s'en trouvera diminué, comme indiqué au Tableau A, et permettra à la cuisinière de passer par une porte de 76,2 cm (30"). Voir Figures 2A et 2B à la Page 5. **N'ôtez pas le gril ni la plaque de cuisson.**
- Retirez l'emballage externe et les matériaux d'emballage de la palette d'expédition. Toutes les cuisinières mixtes sont fixées sur une palette à l'aide de quatre (4) boulons (voir Fig. 4 et 5). Après avoir enlevé les boulons, soulevez la cuisinière et enlevez-la de la palette.
- Retirez les équerres de la cuisinière. Pour ce faire, l'installateur doit retirer les deux vis qui fixent chacune de ces équerres, enlevez l'équerre et remettez les vis.

REMARQUE : laisser la mousse avec adhésif sur les surfaces en métal brossé pour protéger le fini des égratignures jusqu'à ce que l'appareil soit installé à sa position permanente.

Tableau A	Cuisinière de 76,2 cm (30")	Cuisinière de 91,4 cm (36")	Cuisinière de 121,9 cm (48")
Poids à l'expédition	152 kg (335 lb)	201,4 kg (444 lb)	264,9 kg (584 lb)
Poids sans matériaux d'emballage	129,3 kg (285 lb)	176,9 kg (390 lb)	237,6 kg (524 lb)
Poids hors porte(s), chapeaux de brûleurs, plaque d'habillage et grilles de four	97,5 kg (215 lb)	133,8 kg (295 lb)	179,2 kg (395 lb)

Figure 4 – Retrait des deux boulons avant posés pour l'expédition

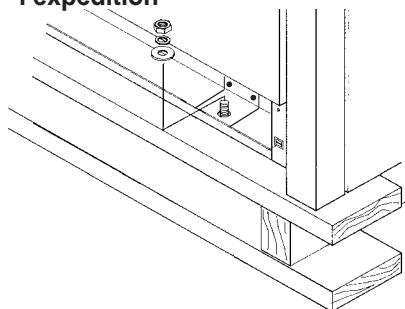
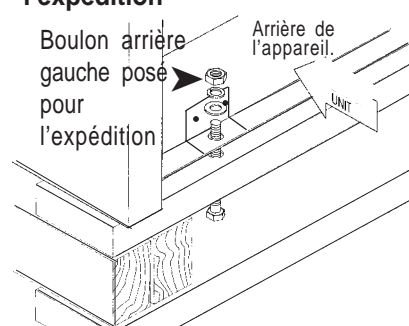


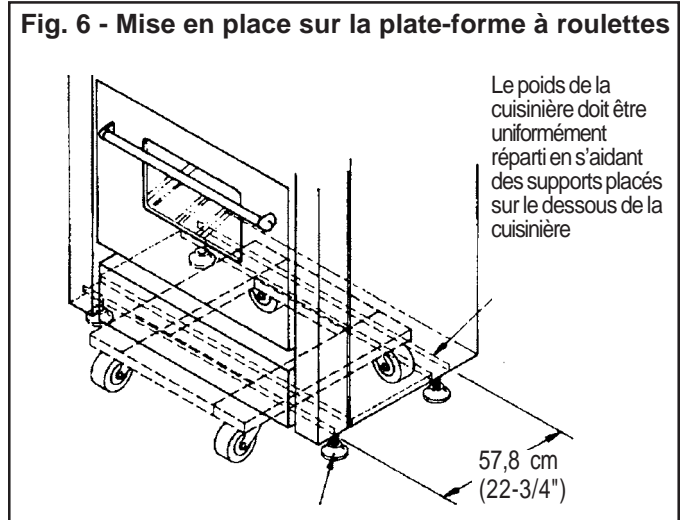
Figure 5 – Retrait des deux boulons arrière posés pour l'expédition



IMPORTANT : NE PAS soulever la cuisinière par la poignée de porte. Cela peut endommager les charnières et ainsi la porte s'ajustera mal dans l'ouverture.

Chapitre 3 : Déballage, manutention et mise en place de la cuisinière

- En raison du poids de la cuisinière, il convient d'utiliser une plate-forme à roulettes souples pour la déplacer. Le poids doit être uniformément réparti sur la plate-forme (voir Figure 6).
- Transportez la cuisinière sur la plate-forme près de son emplacement définitif, basculez-la pour qu'elle soit portée par les pieds arrière et retirez la plate-forme. **PROTÉGEZ LE SOL SE TROUVANT SOUS LES PIEDS AVANT DE METTRE LA CUISINIÈRE EN PLACE.** Installez le dispositif antibasculé (Chapitre 4), raccordez le gaz et l'électricité (Chapitres 5 et 6) et installez la plaque de protection (Chapitre 7) avant de placer définitivement la cuisinière.
- Pour un rendement approprié, **la cuisinière doit être de niveau.** (Ce point est important pour tous les produits équipés d'une plaque chauffante.) La cuisinière se nivelle en réglant les pieds avec une clé.
- Remettez la plaque d'habillage en place et installez la porte du four. **Pour installer la porte, voir la page 17. Les deux (2) vis qui maintiennent la plaque d'habillage doivent être solidement fixées pour éviter un contact accidentel avec les surfaces chaudes.**
- Assurez-vous que les chapeaux des brûleurs sont correctement assis sur les bases des brûleurs de la table de cuisson de la cuisinière.



Enlever tout le matériel d'emballage et le ruban adhésif avant d'utiliser l'appareil. Détruire le matériel d'emballage une fois l'appareil déballé. Ne jamais laisser les enfants jouer avec ce matériel d'emballage.

Ajustement de l'inclinaison de la plaque de cuisson

(certains modèles seulement)

Vérifier le réglage de la grille en versant deux c. à table d'eau à l'arrière de la plaque grille. L'eau devrait lentement couler dans le bac à graisse. Si non, régler les deux vis sous l'arrière de la grille. Commencez par un demi-tour dans le sens contraire des aiguilles d'une montre. Les corrections subséquentes doivent être faites au quart de tour jusqu'à ce que l'eau coule lement dans le bac à graisse.

Chapitre 4 : Installation du dispositif antibasculé

Pour toutes les cuisinières de 76,2 cm (30") et de 91,4 cm (36"), un dispositif antibasculé doit être installé conformément aux instructions suivantes.



AVERTISSEMENT DANGER DE RENVERSEMENT

- Toutes les cuisinières peuvent se renverser et blesser quelqu'un. Pour éviter un renversement accidentel, elles doivent être fixées au sol, au mur ou à une armoire au moyen de l'installation du dispositif antibasculé qui vous est fourni.
- Il peut exister un risque de renversement si l'appareil n'est pas installé conformément à ces instructions.
- En cas de déplacement de la cuisinière pour nettoyage, réparation ou autre, assurez-vous que le dispositif antibasculé s'est bien réenclenché quand la cuisinière a été repoussée contre le mur. Si cette précaution n'est pas prise, dans l'hypothèse d'une utilisation anormale (personne montant, s'asseyant ou s'étendant sur une porte ouverte), la cuisinière risque de basculer, provoquant des blessures dues aux liquides chauds renversés ou à la cuisinière elle-même.



AVERTISSEMENT

- **TOUTES LES CUISINIÈRES PEUVENT BASCULER**
- **DES PERSONNES PEUVENT ÊTRE BLESSÉES**
- **INSTALLEZ LES DISPOSITIFS ANTBASCULÉ FOURNIS AVEC LA CUISINIÈRE**
- **CONSULTEZ LES INSTRUCTIONS D'INSTALLATION**



AVERTISSEMENT RISQUE D'ÉLECTROCUTION

- Soyez très prudent lorsque vous percez des trous dans le mur ou dans le plancher. Des fils électriques peuvent être dissimulés dans les murs ou dans le plancher.
- Identifiez les circuits électriques pouvant se trouver à l'endroit où le dispositif antibasculé est installé et déconnectez-les.
- Le non-respect de ces instructions risque de provoquer une électrocution ou des blessures.

ATTENTION

RISQUE DE DOMMAGES

- Contactez un installateur ou un entrepreneur qualifié pour déterminer la méthode de perçage correcte des murs ou du plancher (carrelage, bois dur, etc.).
- Ne faites pas glisser la cuisinière sur un plancher non protégé.
- Le non-respect de ces instructions comporte un risque de dommages pour les revêtements muraux ou du sol.

Outils nécessaires pour l'installation du dispositif antibasculé :

- Tournevis Phillips
- Perceuse, électrique ou à main
- Ruban à mesurer ou règle
- Foret de 3,2 mm (1/8") (mur ou sol en bois ou métal)
- Foret à béton pointe carbure de 4,8 mm (3/16") (mur ou sol en béton ou blocs de béton)
- Ancrages de 4,8 mm (3/16"), cloison en préfabriqué ou béton, 4 (inutile si le support de montage est fixé sur du bois dur ou du métal)
- Marteau
- Crayon ou autre marqueur

Chapitre 4 : Installation du dispositif antibascule

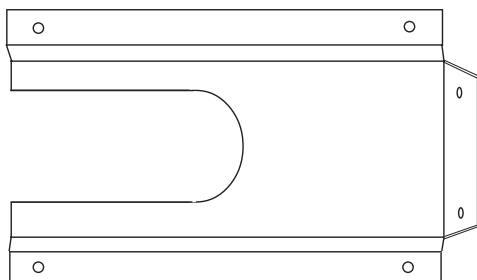
Cuisinières de 30" et 36" (Figures 7A et 7B)

Référence pièce détachée Thermador	Quantité	Description
415078	4	Vis Phillips n° 10 x 1-1/2"
487310	1	La patte antibascule, montage au sol

INFORMATIONS IMPORTANTES À PROPOS DE L'INSTALLATION :

- La patte antibascule peut être fixée à une armoire en bois massif ayant une paroi d'une épaisseur minimum de 19 mm (3/4").
- Selon l'épaisseur du mur ou du plancher, il peut être nécessaire d'utiliser des vis plus longues, disponibles chez votre quincaillier.
- Au moins deux (2) vis de montage de la patte doivent être fixées sur le bois massif ou le métal.
- Utilisez des ancrages appropriés pour monter la patte antibascule sur un matériau autre que le bois dur ou le métal.
- Préparez les trous des emplacements de fixation comme indiqué ci-dessous :
 - **Pour les murs, montants de mur ou sols en bois massif ou en métal**, percez des trous de guidage de 3,2 mm (1/8").
 - **Pour les murs ou les sols de type préfabriqué, carton-plâtre ou autres matériaux mous**, percez des trous de 4,8 mm (3/16") à une profondeur minimum de 44,5 mm (1-3/4"), puis enfoncez les ancrages en plastique dans tous les trous à l'aide d'un marteau.
 - **Pour les murs ou les sols en béton ou en blocs en béton**, percez des trous de 4,8 mm (3/16") à une profondeur minimum de 4,45 cm (1-3/4"), puis enfoncez les ancrages à béton dans les trous à l'aide d'un marteau.
 - **Pour les murs ou les sols revêtus de carrelage**, percez des trous de 4,8 mm (3/16") de la profondeur du carrelage puis percez derrière le carrelage comme indiqué ci-dessus.
- Si la cuisinière doit être ultérieurement placée à un nouvel endroit, le dispositif antibascule sera enlevé et réinstallé.

Figure 7A – Montage de la patte antibascule

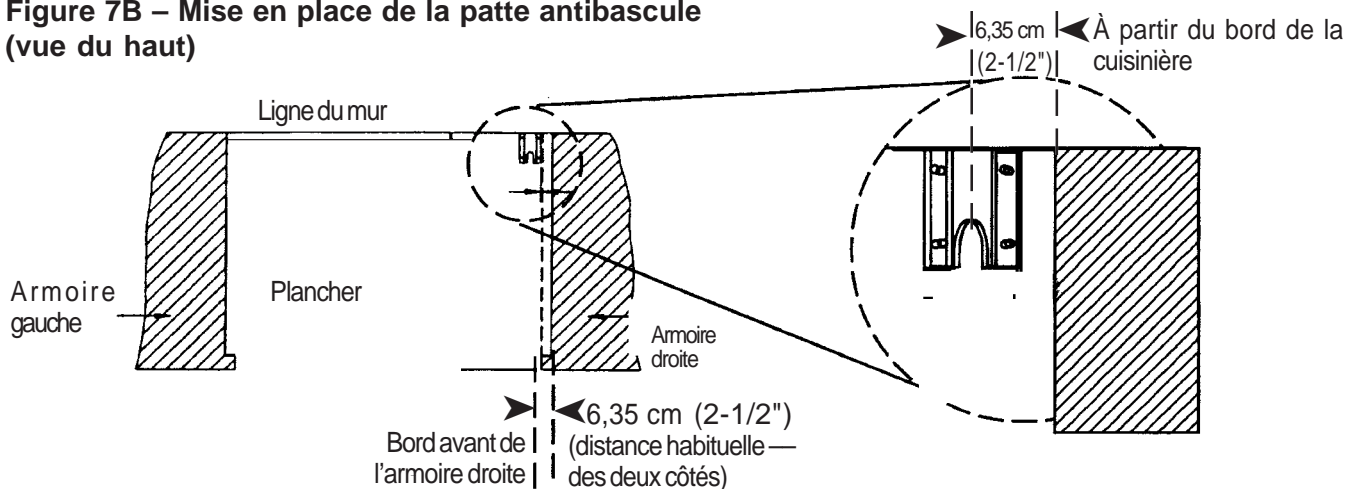


MONTAGE DE LA PATTE ANTIBASCULE

L'option patte montée au sol doit être installée comme suit :

- Placez la patte sur l'emplacement comme indiqué à la Figure 7B.
- Fixez au plancher ou au montant de mur.
- Une fois la cuisinière installée, le pied réglable se glissera sous la patte.

Figure 7B – Mise en place de la patte antibascule (vue du haut)



Chapitre 5 : Exigences pour l'alimentation du gaz et raccordement

Vérifiez le type de gaz utilisé à l'endroit où la cuisinière est installée. L'appareil est expédié de l'usine pour une utilisation avec le gaz naturel. Il doit être converti pour utilisation avec le propane. Un installateur ou un technicien qualifié doit effectuer la conversion. La cuisinière doit correspondre au type de gaz utilisé sur le site.

Le nécessaire de conversion sur place pour les cuisinières à combustion jumelée, gamme DP, est le produit PLKIT de Thermador. Observer toutes les instructions fournies avec ce nécessaire pour effectuer correctement la conversion du régulateur de gaz et des réglages pour les soupapes de gaz.



MISE EN GARDE

Si l'appareil est alimenté par du gaz propane, le réservoir de gaz propane doit être équipé de son propre détendeur en sus du détendeur fourni avec la cuisinière. La pression du gaz à l'entrée du détendeur de la cuisinière ne doit pas dépasser 34,9 mb (14 pouces à la colonne d'eau).

Cet appareil est certifié ACNOR pour une utilisation sécuritaire jusqu'à une élévation de 10 200 pi sans autre modification. Exception : pour utilisation avec gaz propane, cet appareil doit être converti selon les instructions de conversion LP.

Exigences pour le gaz naturel:

Raccord d'entrée : 19,1 mm (3/4") NPT externe
12,7 mm (1/2") NPT interne
(Min. 19,1 mm (3/4") tuyau flexible diam. min.)

Pression d'alimentation : 14,9 mb min. (6") à 34,9 mb max. (14")
à la colonne d'eau

Pression du collecteur : 12,5 mb (5") à la colonne d'eau

Exigences pour le gaz propane :

Raccord d'entrée : 19,1 mm (3/4") NPT externe
12,7 mm (1/2") NPT interne
(diam. min. de 19,1 mm (3/4") pour tuyau flexible)

Pression d'alimentation : 27,4 mb min. (11") à 34,9 mb
max. (14") à la colonne d'eau.

Pression du collecteur : 24,9 mb (10") à la colonne d'eau



AVERTISSEMENT

Le tuyau de gaz ne doit pas passer à l'intérieur du couvercle arrière de la cuisinière. Acheminez le tuyau de gaz par le canal prévu à cet effet à l'arrière de l'appareil.

RACCORDEMENT

- Un robinet manuel d'arrêt de gaz doit être installé à l'extérieur de l'appareil, à un endroit accessible par le devant, dans le but de pouvoir couper l'alimentation en gaz. Le tuyau d'arrivée de gaz ne doit pas gêner à l'arrière de l'appareil. Assurez-vous que le robinet d'arrêt est fermé avant de raccorder l'appareil.
- La cuisinière est fournie avec un détendeur non amovible qui a été monté à l'intérieur de manière permanente.
- Utilisez le tuyau flexible de 19,1 mm (3/4") pour raccorder l'arrivée de gaz au tuyau du collecteur de l'appareil ; ce dernier sort du côté supérieur gauche à l'arrière de l'appareil. La connexion de tuyau du registre de l'appareil est dotée d'un filet externe 3/4 po NPT et d'un filet interne 1/2 po NPT (voir photo A). Prenez garde à éviter les pincements du tuyau flexible de 19,1 mm (3/4") dans les coudes.
- Le branchement à l'arrivée de gaz doit être effectué par un technicien compétent conformément à la réglementation locale. À défaut de réglementation municipale, l'installation doit être conforme à la norme américaine ANSI Z223.1/NFPA54 en vigueur régissant le gaz combustible.
- Toujours utiliser un scellant à tuyau ou du ruban Teflon® sur les filets de tuyau et prenez garde à ne pas serrer excessivement les raccords.
- Les tests de fuite de l'appareil seront toujours réalisés conformément aux instructions du fabricant.
 - Ouvrez le gaz et assurez-vous qu'il n'y a pas de fuites à l'aide d'une solution savonneuse.
 - Des bulles indiquent la présence d'une fuite. Réparer toute fuite immédiatement après les avoir repérées.
 - Ne pas utiliser de flamme de toute sorte pour vérifier les fuites de gaz.

Photo A



Utilisez un tuyau flexible 19,1 mm (3/4") pour raccorder le tuyau du collecteur se trouvant dans la partie supérieure gauche de l'arrière de l'appareil, à l'arrivée de gaz.

Chapitre 6 : Exigences pour l'alimentation électrique, branchement et mise à la terre

- Avant d'intervenir sur l'appareil, débranchez toujours, s'il en est pourvu, le cordon d'alimentation électrique de la prise murale. Si le câblage de l'appareil est fixe, coupez l'alimentation électrique au niveau du disjoncteur du circuit ou déconnectez le fusible correspondant. Verrouillez le panneau de service pour empêcher la mise en circuit accidentelle.

Les modèles de cuisinières peuvent être connectés à l'alimentation électrique au moyen d'une installation fixe ou du cordon d'alimentation, comme décrit à la Page 15.

Tableau B : Exigences des circuits d'alimentation électrique				
TYPE DE MODÈLE	TENSION	COURANT	FRÉQUENCE	PHASE
30"	240/208 VCA	35 A (Amps)	60 Hz.	Monophasé
36"	240/208 VCA	35 A (Amps)	60 Hz.	Monophasé
48"	240/208 VCA	50 A (Amps)	60 Hz.	Monophasé

- Un fil d'alimentation neutre doit être installé à partir de la source d'électricité (disjoncteur/panneau de fusibles) car certains composants de la cuisinière, dont le module de production d'étincelle pour les brûleurs de la table de cuisson, fonctionnent de manière sûre et adéquate sur le 120 VCA. Une mauvaise alimentation électrique de 120/240 VCA entraînera des dysfonctionnements, endommagera la cuisinière et peut provoquer un risque d'électrocution. Si le circuit électrique ne répond pas aux exigences requises, l'installateur ou l'utilisateur est responsable et tenu de faire une installation correcte et conforme à la réglementation locale applicable par un électricien qualifié. À défaut de réglementation à ce sujet, le branchement électrique doit être conforme au Code national régissant l'électricité.
- La mise à la terre doit être conforme à l'ensemble de la réglementation applicable. À défaut de réglementation spécifique à ce sujet, la norme américaine ANSI/NFPA N° 70 en vigueur régissant l'électricité sera appliquée. Reportez-vous à la méthode de mise à la terre aux pages 15 et 16.
- Les schémas de câblage électrique à l'intention du technicien qualifié ont été placés dans la plaque d'habillage de l'appareil.
- Les cuisinières peuvent être branchées sur une alimentation électrique de 240/208 VCA.



MISE EN GARDE

L'appareil doit être isolé du système d'arrivée de gaz en fermant le robinet manuel d'arrêt pendant tous les tests de pression d'alimentation en gaz lorsque ces pressions sont égales ou inférieures à 3,5 kPa (1/2 psig).

L'appareil et son robinet individuel d'arrêt doivent être débranchés du système d'arrivée de gaz pendant tous les tests de pression du système si ces pressions dépassent 3,5 kPa (1/2 psig).

Pour la vérification de la pression de gaz du collecteur, la pression d'entrée du détendeur doit être de 14,9 mb (6,0") au minimum pour le gaz naturel et de 27,4 mb (11,0") pour le propane.

Ne tentez pas de régler le détendeur.

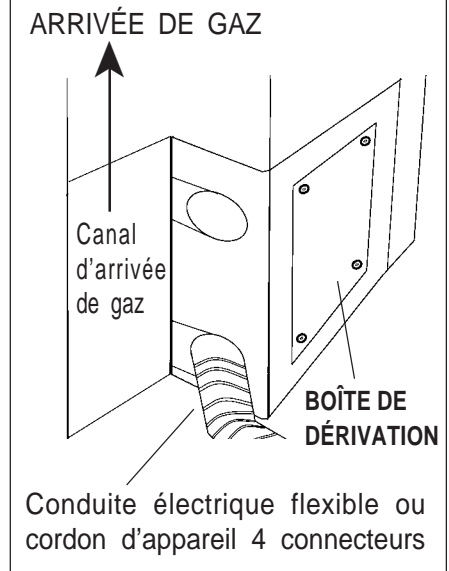
Chapitre 6 : Exigences pour l'alimentation électrique, le branchement et la mise à la terre

Les cuisinières mixtes doivent être branchées à l'alimentation électrique selon l'une des méthodes suivantes. Pour toutes les méthodes de branchement, la longueur du cordon ou de la conduite/câblage doit permettre de glisser complètement l'appareil hors de son emplacement sans avoir à le débrancher de la source d'alimentation. La longueur minimum recommandée de cordon ou de conduite est de 1,22 m (quatre pieds). Les installations électriques et la mise à la terre doivent être conformes à l'ensemble des réglementations locales et/ou au Code national de l'électricité, selon ce qui est applicable.

- **CORDON À 4 CONDUCTEURS – NORMALEMENT, L'APPAREIL DOIT ÊTRE BRANCHÉ À L'ALIMENTATION ÉLECTRIQUE AU MOYEN DU NÉCESSAIRE-CORDON À 4 CONDUCTEURS, 3 PÔLES D'UNE TENSION NOMINALE DE 125/250 VOLTS, 50 AMPÈRES, HOMOLOGUÉ POUR UNE UTILISATION AVEC LES CUISINIÈRES.** La trousse de câbles doit être fixé sur la boîte de dérivation de la cuisinière à l'aide d'un protecteur de cordon adapté à un trou de 2,54 cm (1"). S'il n'en est pas déjà équipé, le cordon doit avoir des cosses en boucle fermée Faston de 0,63 cm (1/4") fixées aux extrémités libres de chaque conducteur et de préférence s o u d é e s .

Les câbles de l'appareil seront amenés dans la boîte de dérivation par la conduite. Les extrémités des câbles doivent être pourvues de cosses en boucle fermée Faston de 0,63 cm (1/4") et de préférence soudées. Connectez-les à la plaque à bornes qui est fournie. Fixez le fil de terre sur la boîte de dérivation à l'aide de la vis utilisée auparavant pour fixer le conducteur de terre. Reportez-vous à la Figure 11. L'extrémité libre de la conduite doit être raccordée à la boîte de dérivation qui se trouve dans la zone d'arrivée de gaz et d'électricité, tel qu'indiqué sur la Figure 3A de la page 7.

FIG. 8 – Emplacement de la boîte de dérivation sur les cuisinières mixtes.



- **CONNEXION PERMANENTE (CÂBLAGE FIXE).** Les cuisinières peuvent être connectées à l'alimentation électrique par un câblage fixe. L'installateur doit fournir une conduite flexible en aluminium homologuée, de taille standard 19 cm (3/4") et d'une longueur maximum de 1,82 m (6'). Repérez la boîte de dérivation à l'arrière de l'appareil et retirez le couvercle. Reportez-vous à la Figure 8. Retirez la vis de fixation du conducteur de terre et repliez-le vers le haut. Reportez-vous à la Figure 9. La conduite doit être reliée à la boîte de dérivation par un connecteur de conduite homologué.

- **CORDON À 3 CONDUCTEURS – SI LES RÉGLEMENTATIONS LOCALES PERMETTENT LA MISE À LA TERRE PAR UN FIL NEUTRE ET QUE LA CONVERSION DE L'ALIMENTATION À QUATRE FILS EST DIFFICILE, L'APPAREIL PEUT ÊTRE CONNECTÉ À L'ALIMENTATION ÉLECTRIQUE PAR UNE TROSSE DE CÂBLE À 3 CONDUCTEURS, 3 PÔLES, D'UNE TENSION NOMINALE DE 125/250 VOLTS, 50 AMPÈRES ET HOMOLOGUÉ POUR ÊTRE UTILISÉ AVEC LES CUISINIÈRES.** La trousse de câbles doit être fixé sur la boîte de dérivation de la cuisinière à l'aide d'un protecteur de cordon adapté à un trou de 2,54 cm (1"). S'il n'en est pas déjà équipé, le cordon

doit avoir des cosses en boucle fermée Faston de 0,63 cm (1/4") fixées aux extrémités libres de chaque conducteur et de préférence soudées.

Installateur - indiquer au propriétaire l'emplacement du coupe-circuit ou du fusible. Le noter à des fins de références.

Chapitre 6 : Conditions d'alimentation, branchement et mise à la terre

Il est possible de connecter une alimentation à 3 ou à 4 conducteurs sur la plaque à bornes.

Connexion à 3 fils

1. Retirez seulement les écrous supérieurs des plots de la plaque à bornes. **N'enlevez pas les écrous qui fixent les fils des câbles internes de la cuisinière.**
2. Fixez le fil neutre de mise à la terre du circuit d'alimentation au plot central de la plaque à bornes avec un écrou (voir Figure 10).
3. Fixez les fils de tension L1 (noir) et L2 (rouge) sur les plots (couleur cuivre) des extrémités de la plaque à bornes avec des écrous.
4. Serrez bien les écrous.

Connexion à 4 fils

1. Retirez seulement les écrous supérieurs des plots de la plaque à bornes. **N'enlevez pas les écrous qui fixent les fils des câbles internes de la cuisinière.**
2. Retirez la vis du conducteur de terre et repliez le conducteur vers le haut comme le montre la Figure 11.
3. Fixez le fil neutre sur le plot central de la plaque à bornes avec un écrou.
4. Fixez les fils de tension L1 (noir) et L2 (rouge) sur les plots (couleur cuivre) des extrémités de la plaque à bornes avec des écrous.
5. Fixez le fil de terre en cuivre dénudé sur le châssis de la cuisinière à l'aide de la vis préablement utilisée pour le conducteur de terre. Assurez-vous que la borne neutre et la borne de terre ne se touchent pas.
6. Serrez bien toutes les connexions.

FIG. 9 Fixation des conducteurs

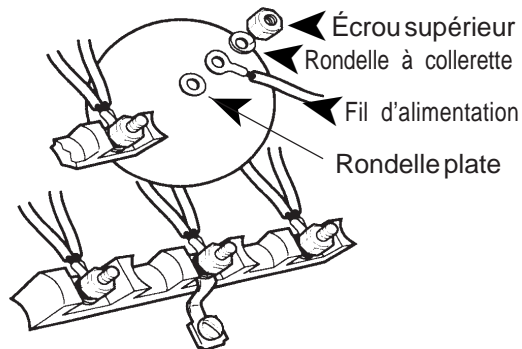


FIG. 10 Connexion à 3 fils

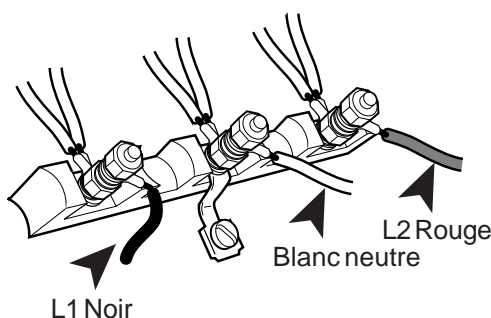
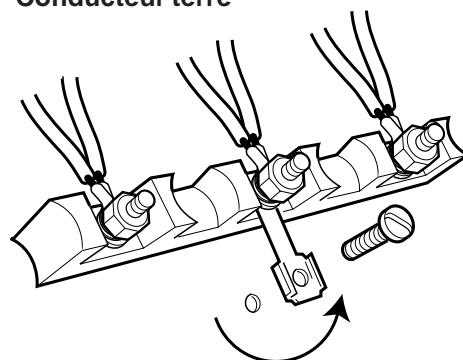
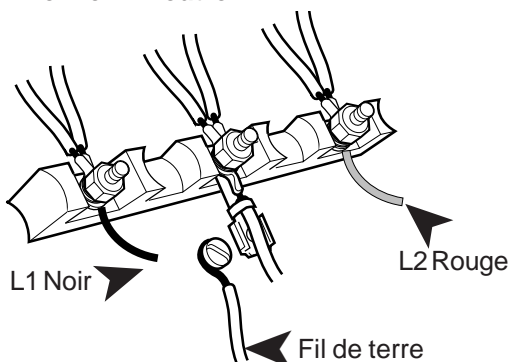


FIG. 11 Conducteur terre



Repliez le conducteur de terre vers le haut

FIG. 12 Fixez le fil neutre



Chapitre 7 : Installation de la plaque de protection

La plaque de protection doit être mise en place avant de glisser la cuisinière à son emplacement définitif. La plaque, basse ou une tablettes à casserole est obligatoire si la distance, au-dessus de la table de cuisson, entre les parois combustibles et l'arrière de la cuisinière est inférieure à 30,5 cm (12") (voir Figures 2A et 2B à la Page 5).

Une garniture pour îlot est disponible pour couvrir les rebords de fixation du dossier pour les installations en îlot, où il y a un dégagement minimum de 12 po derrière la garniture d'îlot. (Voir figure 2B, page 5).

La plaque de protection s'insère dans les glissières à l'arrière de la cuisinière, comme indiqué à la Figure 13, et est fixée par les quatre (4) vis à tête fournies.



AVERTISSEMENT

Pour éviter brûlures ou risque d'incendie, un dossier conçu spécifiquement pour cette cuisinière doit être installé chaque fois que l'appareil est utilisé.

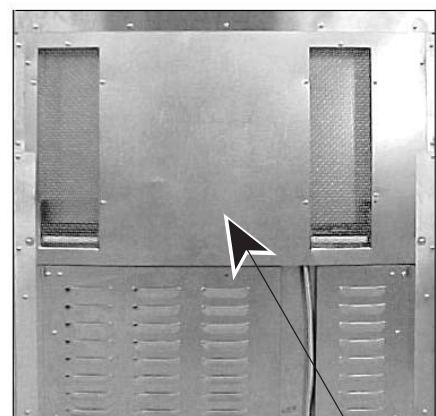
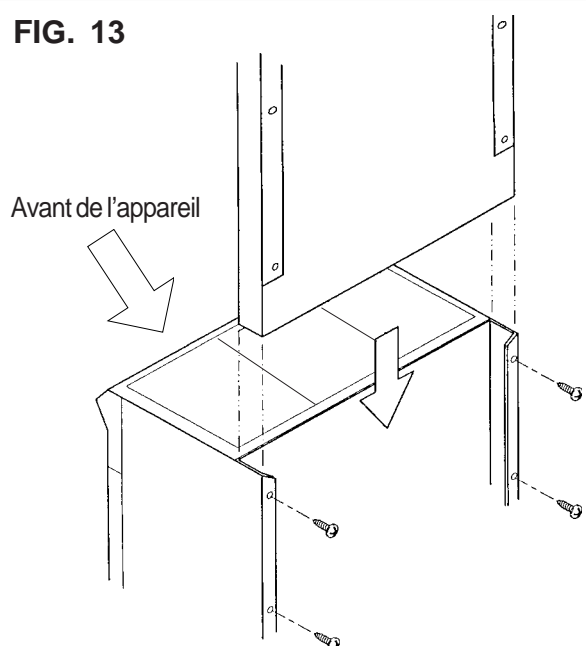


ATTENTION

La tablette à casserole peut devenir très chaude!
NE PAS placer ces articles sur le dessus de la tablette à casseroles.

- plastique ou contenant pouvant fondre
- articles inflammables
- une charge supérieure à 30 lb (13,6 kg)

FIG. 13



Plaque de protection installée

TABLEAU C : RÉFÉRENCES POUR LES PLAQUES DE PROTECTION

MODÈLE	22,9 CM (9") PLAQUE BASSE STANDARD	30,5 CM (12") PLAQUE BASSE	55,9 CM (22") TABLETTE À CASSEROLES	9,5 CM (3 3/4") ENJOLIVEUR POUR ÎLOT
30"	Inclus	N/D	HS30R	IT30R
36"	N/D	LB36R	HS36R	IT36R
48"	N/D	LB48R	HS48R	IT48R

Chapitre 8 : Enlever et installation de la porte



MISE EN GARDE

FAIRE ATTENTION AU MOMENT D'ENLEVER LA PORTE, ELLE EST TRÈS LOURDE

- S'assurer que le four est froid et que l'alimentation est hors circuit. Sinon, il peut en résulter un choc électrique ou des brûlures.
- La porte est lourde et fragile. Utiliser les deux mains pour enlever ou installer la porte.
- Saisir seulement les extrémités de la poignée de la porte du four.
- Si la porte n'est pas saisie fermement et adéquatement, cela peut causer des dommages au produit ou des blessures.
- Une fois la porte enlevée, ne pas dégager les leviers ni fermer les charnières. Sans le poids de la porte, les ressorts fermeront les charnières avec beaucoup de force.

Pour enlever la porte du four :

- Ouvrir la porte complètement et utiliser un tournevis pour forcer les pinces de charnières hors des fentes de charnières. (Voir photo B.)
- Tourner la pince de charnière vers soi. (Voir photo C.)
- Fermer la porte jusqu'à ce qu'elle s'appuie contre les pinces de charnières. Les pinces de charnières ouvertes maintiennent la porte légèrement en angle.
- Saisir la porte fermement de chaque côté de la poignée et soulever la porte. (Il y aura une résistance causée par le ressort.) Lorsque la porte est suffisamment soulevée pour dégager les crochets de charnières, la porte peut être enlevée droite. (Voir photo D.)
- Déposer la porte sur une surface sécuritaire et stable.

Pour réinstaller la porte du four :

- Positionner la porte légèrement en angle et insérer les charnières dans les fentes - une de chaque côté de la cuisinière. Les charnières s'enclenchent de façon sécuritaire dans les fentes lorsque bien installées. Ne pas forcer, plier ni tordre la porte.

Conseil: déposer la porte sur le pied tout en utilisant la jambe pour plus de stabilité.

- Ouvrir complètement la porte et avec un tournevis, pousser les pinces de charnières dans les fentes. Faire attention à ne pas égratigner la cuisinière.

Vérifier l'ajustement et le fonctionnement :

- Ouvrir et fermer la porte lentement pour vérifier le mouvement et le réglage de la porte. Ne pas forcer la porte pour l'ouvrir ou la fermer. Si la porte est adéquatement installée, elle devrait bouger en douceur et reposer de niveau avec le devant de la cuisinière lorsqu'elle est fermée.
- Si la porte ne fonctionne pas adéquatement, s'assurer que les charnières sont bien en place dans les fentes et que les pinces sont entièrement enclenchées dans les fentes.

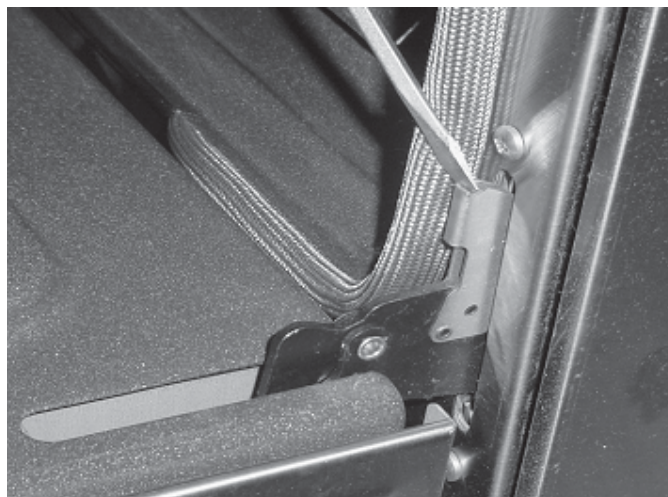


Photo B. Forcer les pinces de charnières à l'aide d'un tournevis.



Photo C. Tourner la pince de charnière vers soi.



Photo D. Charnières enlevées du four.

Chapitre 9 : Test et réglage de brûler

Installer tout composant lâche, tels capuchons et grilles de brûleurs, ayant été retirés précédemment. S'assurer que les capuchons de brûleurs sont adéquatement placés sur les bases des brûleurs. Avant de vérifier le fonctionnement de l'appareil, vérifier qu'il n'y a aucune fuite à l'appareil et à la soupape de gaz; que l'appareil est branché sur l'alimentation électrique. Ouvrir la soupape d'arrêt de gaz manuelle.

Vérifier les brûleurs de surface

Vérifier l'allumage de brûleur. Choisir un bouton de brûleur. Pousser et tourner dans le sens contre horaire à HI. Le module allumeur/étincelle produit un clic. Une fois l'air purgé de la canalisation d'alimentation, le brûleur devrait s'allumer dans un délai de 4 secondes.

Vérifier la flamme. Réglage haute. Tourner le bouton à HI. Voir figure 14 pour les caractéristiques de flamme appropriées.

Si un des brûleurs de surface continue de presque brûler ou est complètement jaune, vérifier si le capuchon est positionné adéquatement sur la base du brûleur, puis essayer de nouveau. Si les caractéristiques de flamme ne s'améliorent pas, communiquer avec Thermador®.

Vérifier la flamme. Réglage bas. Tourner le bouton à LO. Vérifier si la flamme enveloppe complètement le brûleur. Il doit y avoir une flamme à chaque port du brûleur et il ne doit pas y avoir d'intervalle d'air entre la flamme et le brûleur. Si les brûleurs ne sont pas enveloppés, communiquer avec Thermador®.

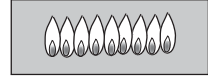
Les 2 brûleurs de surface du côté gauche sont dotés de la fonction XLO®, faisant effectuer un cycle marche-arrêt à la flamme lorsque le bouton est réglé à XLO. Ceci est normal.

Répéter l'allumage et la vérification de flamme décrits ci-dessus pour chaque brûleur de surface et celui du gril (si tel est le cas).

FIG. 14 Caractéristiques de flamme

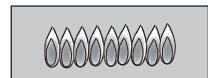
Flamme jaune :

Réglage nécessaire.



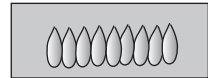
Pointe jaune sur cône extérieur:

Normal pour gaz LP.



Flamme bleue :

Normal pour gaz naturel.



Si la flamme est complètement ou presque jaune, s'assurer que le régulateur est réglé pour le combustible approprié. Après le réglage, vérifier de nouveau.

Des rayures de couleur orangée sont normales pendant la mise en marche initiale.

Laisser l'appareil fonctionner de 4 à 5 minutes et évaluer de nouveau avant d'effectuer les réglages.

LORSQUE LA FLAMME EST ADÉQUATEMENT RÉGLÉE:

Il doit y avoir une flamme à chaque port du brûleur.

Il ne doit pas y avoir d'intervalle d'air entre la flamme et le port du brûleur.

Le gril à gaz utilise un brûleur de style tube doté d'un obturateur d'air qui permet le réglage de la quantité d'air primaire à l'intérieur du tube de brûleur.

Les obturateurs d'air des brûleurs tubes sont pré-réglés en usine et ne requièrent habituellement pas d'autre réglage sauf dans les cas d'installation à haute altitude.

Si un réglage de brûleur/flamme est requis, voir la marche à suivre "Réglage de flamme" (au besoin).

Chapitre 9 : Test et réglage de brûler

Réglage de flamme (au besoin):

Le brûleur tube utilisé avec les appareils Thermador® sont dotés de système d'obturateur d'air semblables à l'illustration, figure 15, et peut être réglé à l'aide de la méthode suivante (à moins que le réglage ne soit pas recommandé). Il est nécessaire de retirer le brûleur de l'appareil afin d'effectuer les réglages d'obturateur d'air.

- Dévisser les vis d'obturateur et tourner l'obturateur à la nouvelle position.
- Régler l'obturateur en position plus fermée si la flamme est soulevée ou instable ou si elle n'enveloppe.
- Régler l'obturateur en position plus ouverte si la flamme est trop jaune (voir figure 15).
- Serrer la vis d'obturateur
- Après le réglage, réinstaller le brûleur et vérifier la flamme. L'obturateur d'air doit s'ajuster sur l'orifice pour un fonctionnement approprié du brûleur.
- Répéter la marche à suivre jusqu'à ce que les caractéristiques de la flamme soient acceptables (voir figure 14).

WARNING

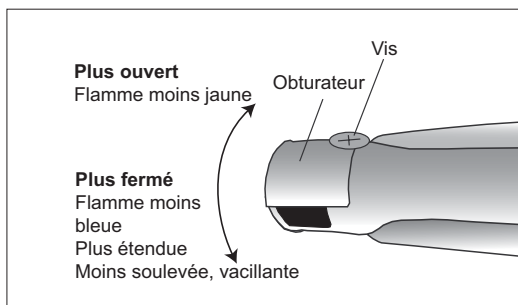
Les réglages de brûleurs doivent être effectués par un technicien qualifié. Un mauvais réglage peut causer des émanations nocives ou annuler la garantie de l'appareil.

Laisser les brûleurs refroidir avant de les enlever !

Communiquer avec Thermador® si :

- 1. Un brûleur ne s'allume pas.**
- 2. Si un brûleur continue de brûler jaune.**

FIG. 15 Réglage de l'obturateur d'air (au besoin)



Liste de vérification pour l'installateur

LISTE FINALE DE VÉRIFICATION

- Les distances spécifiées entre l'appareil et les armoires adjacentes ont été respectées.
- L'appareil a été nivellé d'avant à arrière, et d'un côté à l'autre.
- Les chapeaux de brûleurs ont été correctement placés sur les bases.
- Tous les matériaux d'emballage ont été retirés.
- Garniture d'îlot ou dosseret installé selon les instructions.
- La plaque d'habillage a été posée et fixée par deux (2) vis.
- Le gril et/ou la plaque de grille est correctement positionné, incliné légèrement vers l'avant. (Voir page 9.)

ALIMENTATION EN GAZ

- L'appareil est bien raccordé au type de gaz pour lequel il est certifié.
- Le robinet manuel d'arrêt de gaz installé à un endroit accessible (sans avoir à bouger la cuisinière).
- L'appareil a été testé et est dépourvu de fuites de gaz.
- Si le gaz propane est utilisé, assurez-vous que l'alimentation en propane est pourvue de son propre détendeur en plus du détendeur fourni avec l'appareil.

ÉLECTRICITÉ

- La prise de courant à laquelle le cordon d'alimentation est branché est bien protégée contre les surtensions.
- La mise à la terre a bien été installée.

FONCTIONNEMENT

- Les cadrans des boutons sont bien centrés et les boutons tournent librement.
- Chaque brûleur s'allume correctement, seul ou avec d'autres brûleurs allumés.
- Charnières de porte de four bien en place et alignement de porte en position appropriée. La porte s'ouvre et se ferme correctement.
- Grilles de brûleurs positionnées correctement.
- INSTALLATEUR : laisser les GUIDES D'UTILISATION et D'ENTRETIEN et D'INSTALLATION avec le propriétaire.

Nettoyage et protection des surfaces extérieures

Les surfaces en acier inoxydable se nettoient en passant un chiffon mouillé à l'eau savonneuse. Rincez à l'eau claire et séchez avec un chiffon sec pour éviter les traces d'eau. Retirez les traces de doigts et les traînées avec un produit à vitres doux.

En cas de décoloration ou de tache persistante, consultez le Manuel d'utilisation et d'entretien.

Pour faire briller et protéger l'acier inoxydable, utilisez un produit nettoyant/à polir comme le Stainless Steel Magic®.

NE laissez PAS les taches s'incruster.

N'utilisez PAS de tampons ni de brosses métalliques. De petits morceaux de métal risquent d'adhérer à la surface et de la faire rouiller.

NE laissez PAS les solutions salines, les désinfectants, l'eau de Javel ou les produits de nettoyage en contact avec l'acier inoxydable. Ces produits contiennent en général des produits chimiques susceptibles de l'endommager. Rincez-les à l'eau et séchez avec un chiffon sec.

REMARQUES

Specifications are for planning purposes only. Refer to installation instructions and consult your countertop supplier prior to making counter opening. Consult with a heating and ventilating engineer for your specific ventilation requirements. For the most detailed information, refer to installation instructions accompanying product or write Thermador indicating model number.

We reserve the right to change specifications or design without notice. Some models are certified for use in Canada. Thermador is not responsible for products which are transported from the U.S. for use in Canada. Check with your local Canadian distributor or dealer.

Les spécifications ne sont fournies qu'à titre prévisionnel. Consultez les instructions d'installation et le fournisseur de votre plan de travail avant de le modifier. Consultez un entrepreneur en chauffage et en climatisation pour vos conditions spécifiques de ventilation. Pour une information plus détaillée, reportez-vous aux instructions d'installation jointes au produit ou bien écrivez à Thermador en indiquant le numéro du modèle.

Nous nous réservons le droit de modifier les caractéristiques ou le design sans préavis. Certains modèles sont approuvés pour le Canada. Thermador n'est pas responsable des produits transportés des États-Unis pour être utilisés au Canada. Veuillez vous renseigner auprès de votre distributeur ou détaillant canadien.



Thermador® | *An American Icon*™

5551 McFadden Avenue, Huntington Beach, CA 92649 • 1-800-735-4328 • www.thermador.com
ECO# 5U01BK • 9000236141 • 02/07 • © BSH Home Appliances Corporation, 2007 • All rights reserved
Litho in USA