

# ***Thermador***<sup>®</sup>

## INSTALLATION INSTRUCTION MANUAL

**MODELS: GGS30, GGS36, GGS365, GGN30, GGN36, GGN365,  
SGS30, SGS36G, SGN30, SGN36G**  
**Thermador<sup>®</sup> ExtraLow<sup>™</sup> and Traditional Series Cooktops**

**PLEASE READ ENTIRE INSTRUCTIONS BEFORE PROCEEDING.**

**IMPORTANT:** LOCAL CODES VARY. INSTALLATION, ELECTRICAL CONNECTIONS  
AND GROUNDING MUST COMPLY WITH ALL APPLICABLE CODES.

**IMPORTANT:** Save these instructions for the Local Electrical Inspector's use.  
**INSTALLER:** Please leave these Installation Instructions with this unit for the owner.  
**OWNER:** Please retain these instructions for future reference.

**Power Supply:** 120 volts, 15 Ampere,  
60 Hz., Natural Gas - 5 inch water  
column, Propane Gas - 10 inch water  
column.

**WARNING:** Disconnect power before  
installing or servicing. Before turn-  
ing power ON, be sure that all con-  
trols are in the OFF position.

## ■ IMPORTANT INSTALLATION INFORMATION

**Warning:** Improper installation, adjustment, alteration, service or maintenance can cause injury or property damage. Refer to this manual. For assistance or additional information consult a qualified installer, service agency, manufacturer (dealer) or the gas supplier.

This appliance has been tested in accordance with ANSI Z21.1 Current Issue, Standard for Household Cooking Appliances (USA) and in accordance with CAN 1.1-M81 Domestic Gas Ranges (CANADIAN).

Check your local building codes for the proper method of installation. In the U.S., if there are no applicable local codes, this unit should be installed in accordance with the National Fuel GAS Code #Z223.1-1990, and the National Electrical Code ANSI/NFPA No. 70 Current Issue. (In Canada, installation must be in accordance with the CAN 1-B149.1 and .2 – Installation Codes for Gas Burning Appliances and/or local codes.)

Be sure the unit being installed is correct for the type of gas being used. The cooktop is shipped from the factory for use with natural gas. Conversion for use with propane gas can be made using a kit, Model NLPKIT5, P/N 35-00-622. A qualified technician or installer can convert the cooktop. This kit includes instructions for adjusting valves and regulator and contains new burner jets.

This appliance is equipped with an intermittent/interrupted ignition device.



### CAUTION:

(1) When connecting the unit to propane gas make certain the propane gas tank is equipped with its own high pressure regulator in addition to the pressure regulator supplied inside this unit. The maximum gas pressure to this appliance is not to exceed 14.0 inches water column from the propane gas tank regulator.

Do not attempt to connect propane gas without first installing conversion kit, Model NLPKIT5, P/N 35-00-622. A qualified service technician or installer can convert the cooktop.

(2) This unit is designed as a cooking appliance. Based on safety consideration never use it for warming or heating a room.

**Important Installation Information** . . . . . 2  
**Step One: Before You Begin** . . . . . 3  
**Step Two: Overhead Hood** . . . . . 4  
**Step Three: Electrical Requirements** . . . . . 4  
**Step Four: Prepare Cabinet** . . . . . 5  
**Step Five: Install the Cooktop** . . . . . 6  
**Step Six: Power Supply Hook-up** . . . . . 6

## STEP ONE: BEFORE YOU BEGIN

### Get the Best Venting Performance

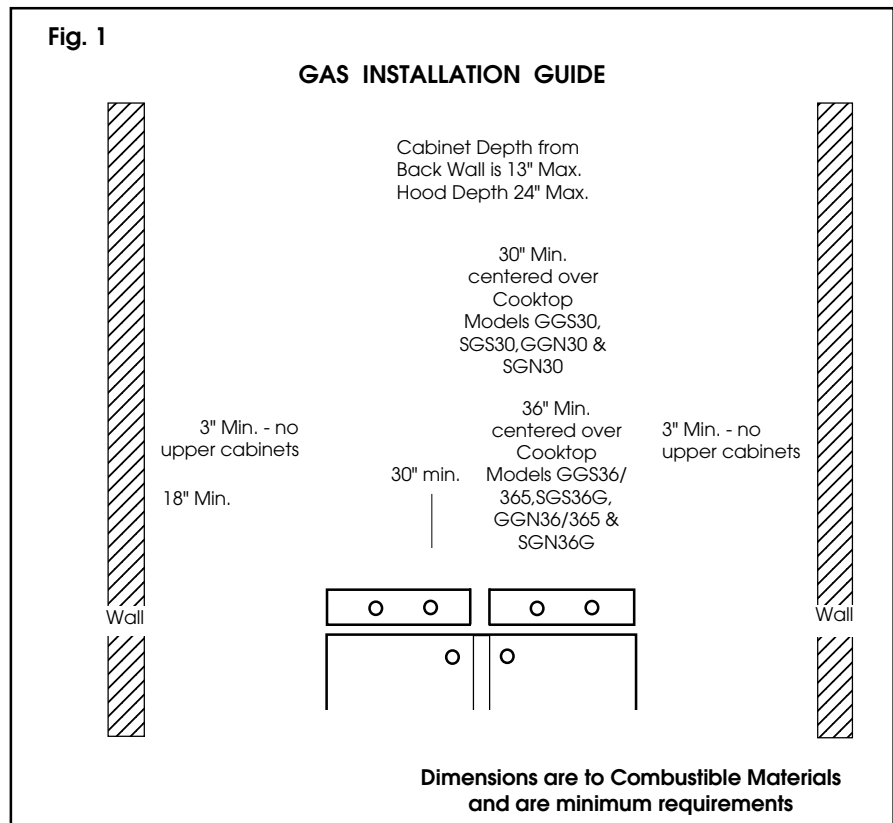
Points to consider are:

- Thermador recommends use of a ducted hood over this cooktop.
- Minimize cross drafts that can be created by adjacent open windows, doors, air conditioning, heating vents, recessed ceiling lights, etc.

### Cabinet Considerations

- This unit is designed for installation in a countertop near adjacent walls and projecting surfaces constructed of combustible materials. There must be a minimum clearance of 30 inches between the top of the cooking surface and the bottom of the unprotected wood or metal cabinet; or 24 inches when bottom of wood or metal cabinet is protected by not less than 1/4" of flame retardant material covered with not less than No.28 MSG sheet metal, 0.015 inch stainless steel, 0.024 inch aluminum or copper. (See Figure 1.) The minimum horizontal distance(s) from the side and back edge of the unit to adjacent vertical combustible walls are as follows: Left side wall - 3 inches; right side wall - 3 inches; rear wall - 1 inch.

Cooktops installed over a CT130 oven require adequate air inlet to the cabinet below. This is to prevent simmer flame outage when operating the oven. Provide



approximately 10 in.<sup>2</sup> opening in the toe kick area or other cabinet area.

- Instructions are based on Standard American cabinets 36" high x 24" deep.

**Maximum depth of cabinets installed above cooking surface of the cooktop is 13 inches.**

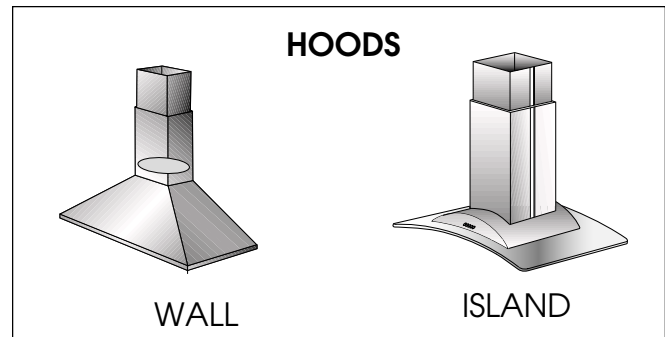
**Maximum depth of drawer under unit is 15 inches.**

### ⚠ CAUTION:

All measurements given have to be precisely followed. If nonstandard cabinets are used care should be taken to alter dimensions accordingly.

## STEP TWO: OVERHEAD HOOD

- Thermador recommends use of a ducted hood over this cooktop. For wall-mounted hood installations, Thermador recommends that the hood should have a certified rating of no less than 350 CFM on the highest setting. The exhaust hood must be installed according to instructions furnished with the hood. **Observe all local codes and ordinances governing residential cooking and ventilation requirements.**



## STEP THREE: ELECTRICAL REQUIREMENTS & GROUNDING

**THIS APPLIANCE MUST BE CONNECTED TO A RECEPTACLE ON A CIRCUIT RATED 120 VOLTS, AC 60HZ., 15 AMPERE**

### Recommended Grounding Method

Always disconnect electric supply cord from wall outlet before servicing this appliance.

Observe all governing codes and ordinances when grounding. In the absence of these codes or ordinances observe National Electrical Code ANSI/NFPA No. 70 Current Issue.

This appliance is factory equipped with a power supply cord with a three-prong grounding plug (with polarized parallel blades). IT MUST BE PLUGGED INTO A MATING GROUNDING TYPE RECEPTACLE, CONNECTED TO A CORRECTLY POLARIZED 120 VOLT CIRCUIT. Improper polarization will cause malfunction (such as continuous sparking of the burner igniters) and may damage this appliance and could create a condition of shock hazard at the igniter of each burner. If the circuit does not have a grounding type receptacle, it is the responsibility and obligation of the installer or user to have the existing receptacle changed to a properly grounded and polarized receptacle in accordance with all applicable local codes and ordinances by a qualified electrician. In the absence of local codes and ordinances, the receptacle replacement shall be in accordance with the National Electrical Code. **THE THIRD GROUND PRONG SHOULD NOT UNDER ANY CIRCUMSTANCES, BE CUT OR REMOVED.** See Fig. 2.

### Alternate Grounding Method - See Fig. 3.

If installing a properly grounded wall receptacle is impossible at the time of installation, **consult your local electrical inspector for permission to connect a temporary adaptor** (with polarized blades) which could be plugged into your present 2-wire receptacle. **This is not recommended.**

If this is done, you must attach the lug and/or the green adaptor wire to the receptacle cover plate screw. Ground from it to a grounded metal cold water pipe,\* see Fig. 3. **DO NOT GROUND TO A GAS SUPPLY PIPE.**

You must permanently ground the adaptor before connecting the appliance to the power supply.

**CAUTION:** Attaching the adaptor ground wire to the wall receptacle cover screw does not ground the appliance unless the cover screw is grounded through the house wiring.

If there is any doubt as to whether the wall receptacle is properly grounded, the customer should have it checked by a qualified electrician.

Cold water pipe must have metal continuity to the electrical ground and not be interrupted by plastic, rubber or other electrically insulating connectors (including water meter or pump) without adding a jumper wire at these connections. See Fig. 4.

Fig. 2

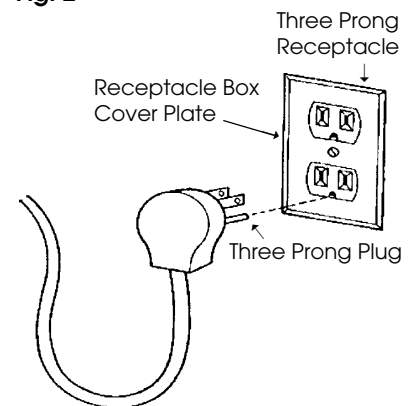


Fig. 3

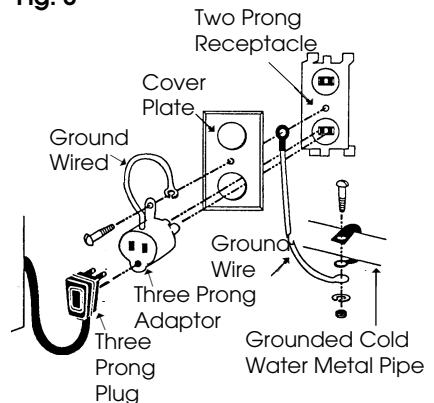
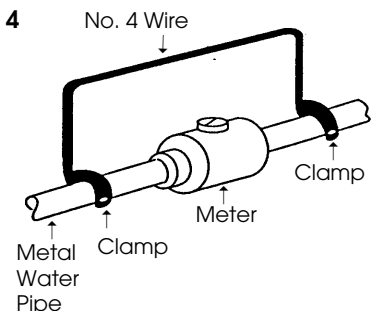


Fig. 4



## STEP FOUR: PREPARE CABINET

1. See **Cabinet Considerations under Step One: Before You Begin, page 3.**

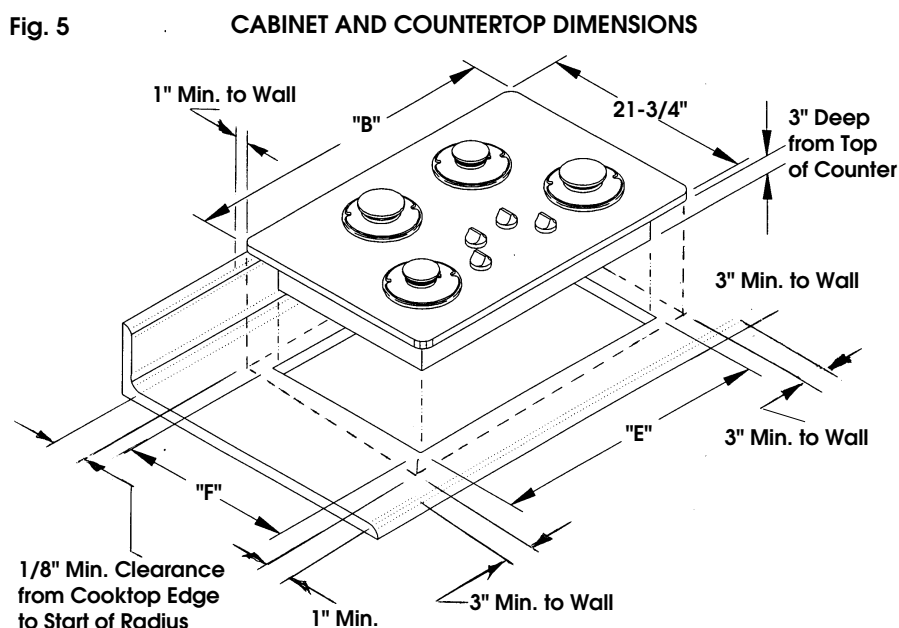
2. Instructions are based on Standard American cabinets 36" high x 24" deep. If nonstandard cabinets are used care should be taken to alter dimensions accordingly.

3. All cutout dimensions given in figure 5 have to be precisely followed.

4. Plan the installation of the unit so that the power cord, gas shut-off valve and gas pressure regulator are accessible from the front of cabinet. If a drawer is installed, directly under the cooktop, its depth should be no greater than 15 inches.

5. This unit has been Design Certified for installation in countertop near adjacent walls and projecting surfaces constructed of combustible materials. The minimum horizontal distance from the back edge of the cooktop to adjacent vertical combustible wall, and minimum horizontal distance from front edge of cooktop to front side of countertop is 1 inch. The minimum horizontal distance from the sides of the cooktop to the adjacent vertical combustible walls are as follows: left and right side walls is 3 inches and to the rear wall is 1 inch.

Fig. 5



COUNTERTOP CUT-OUT DIMENSIONS						
COOKTOP MODELS	DIM.	REPLACEMENT	NEW INSTALLATION EXCEPT OVER CT130 OVEN	NEW* INSTALLATION OVER CT130	OVEN SOLID** SURFACE MATERIAL	COOKTOP WIDTH "B"
GGS30, GGN30, SGS30 & SGN30	E	26-1/2" min. 29-7/8" max.	27"	29-3/4"	29-3/4"	30-3/4"
	F	18-5/16" min. 20-15/16" max.	19"	20"	20"	
GGS36/365, GGN36/365, SGS36G & SGN36G	E	33" min. 35-1/8" max.	33-1/2"	35"	35"	36"
	F	18-5/16" min. 20-15/16" max.	19"	20"	20"	

\* Cooktops installed over CT130 ovens require larger cutouts (see Fig. 5).

\*\* Solid surfacing material countertops such as Surell™ and Corian® require larger cutouts and special installation specified in cooktop securement section, (see Step 5).

## STEP FIVE: INSTALL THE COOKTOP

### APPLY TAPE AND SECURE COOKTOP TO COUNTER

**A foam tape is provided to seal the cooktop edges to the countertop, shown in Fig. 6. Apply tape to the cooktop glass on the perimeter prior to installing the cooktop. Position the tape to the glass on Models GGS & GGN and to the burner box on Models SGS & SGN (as shown).**

The cooktop may be secured to the countertop using hold-down brackets provided. Attach clamps to the burner box using washer and screws provided prior to inserting cooktop into the cutout. Insert cooktop into cutout. Adjust hold down brackets to desired position and tighten screws to burner box. Insert clamping screw into clamp and secure cooktop to counter top,

see Fig. 6 on Page 6.

**Counter tops made from SOLID SURFACING MATERIALS**, such as Surell™ and Corian®, require special cut-out preparation and installation procedures. Follow the manufacturers guidelines in preparing the cut-out to the dimensions noted in Fig. 5, above.

*Continued on Page 6*

## STEP FIVE: INSTALL THE COOKTOP

Continued from Page 5

### Install the cooktops as follows:

- Apply heat reflective tape (such as Scotch® Aluminum Foil Tape #425 or #427) around the cut-out so that it folds over on the top and sides. **DO NOT WRAP THE TAPE UNDERNEATH THE COOKTOP.** Be sure the tape extends beyond the outermost flange of the cooktop. All corners should also be covered with tape, see Fig. 7.
- Attach clamps to the burner box using washer and screw provided, see Fig. 6.
- Center cooktop in center of cut-out to insure adequate clearance between the burner box and counter top edge. (A light pencil mark along center of front edge and side edge of cooktop and counter will aid positioning the cooktop in the center).

### CAUTION

Avoid scratching or chipping the edges of the cut-out with cooktop burner box.

- Adjust and tighten clamps to the burner box. Insert clamping screw into clamp.

### CAUTION

Insert a wooden block between the end of the screw and the bottom of the **SOLID SURFACING MATERIAL** countertop. Do not overtighten clamping screw, see Fig. 6.

- Trim excess aluminum tape around cooktop flange.

Fig. 6 ATTACHING HOLD DOWN BRACKETS & FOAM TAPE INSTALLATION

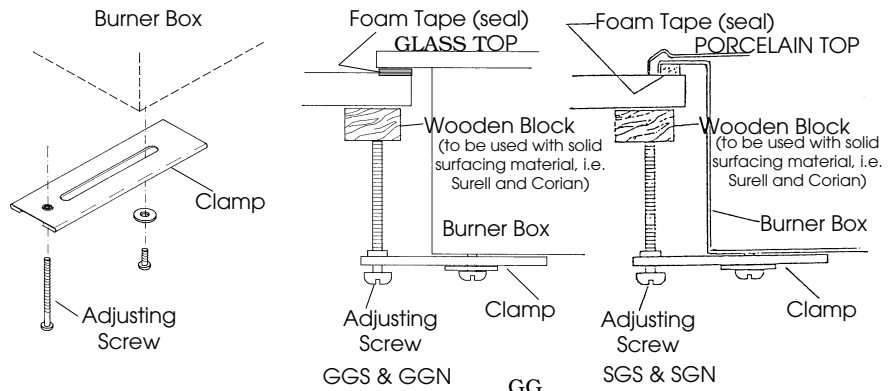
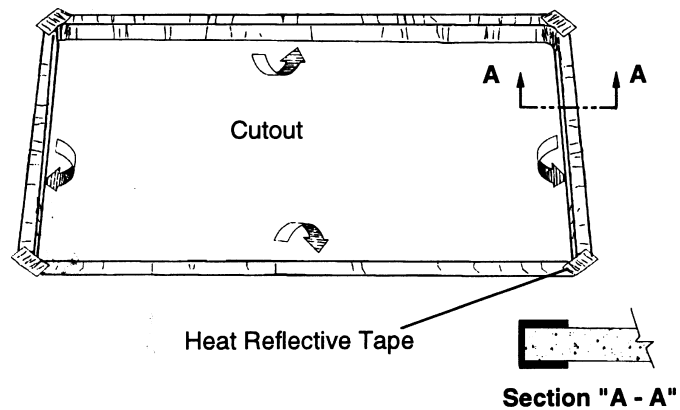


Fig. 7

COUNTER CUTOUT - Shows location of Aluminum Reflective Tape



### For Massachusetts Installations:

- Shut-off valve must be a "T" handle gas cock.
- Flexible gas connector must not be longer than 36 inches.
- Not approved for installation in a bedroom or a bathroom unless unit is direct vent.

## STEP SIX: POWER SUPPLY HOOKUP

### GAS CONNECTION

The gas inlet to the unit is located at the right rear of rough-in box. (See Fig. 8). After installing a gas shut-off valve in an easily accessible location under the unit (see Fig. 9), install the gas pressure regulator (supplied) to manifold pipe using pipe dope on threads of manifold pipe. To prevent possible damage to the gas pressure regulator, install it after the rough-in box is in its permanent position. Proceed with gas connection.

Connect the gas supply line to the unit pressure regulator using a 1/2" flex gas line connector between wall shut-off valve and pressure

regulator (see complete procedure at Fig. 9).

Always use pipe dope on the pipe threads and be careful not to apply excessive pressure when tightening the fittings.

## STEP SIX: POWER SUPPLY HOOKUP

### ⚠ CAUTION:

Do not attempt any adjustment of the pressure regulator, except conversion to propane.

Turn on gas and check supply line connections for leaks using a soap solution. Do not use a flame of any sort.

#### NATURAL GAS

The cooktop is shipped from the factory for use with natural gas only. The gas supply to the appliance regulator must be a minimum of 6.0" water column.

#### PROPANE GAS

The cooktop must be converted for use with propane gas use Kit # NLPKIT5 P/N 35-00-622 which contains new burner jets (orifices) and instruction for adjusting valves and regulator.

### ⚠ CAUTION:

When connecting unit to propane gas make certain the propane gas tank is equipped with its own high pressure regulator in addition to the pressure regulator supplied with the appliance. The maximum gas pressure to the appliance regulator is not to exceed 14.0" water column from the propane gas tank.

#### Important Notes for Gas Units:

- The appliance and its individual shutoff valve must be disconnected from the gas supply piping system during any pressure testing of that system at test pressures in excess of 1/2 psig (3.5 kPa).
- The appliance must be isolated from the gas supply piping system by closing its individual manual shutoff valve during any pressure testing of the gas supply piping system at test pressures equal to or less than 1/2 psig (3.5 kPa).

#### Important Electrical Connection Instructions

This appliance is now ready for connection to the properly grounded and polarized three-prong wall receptacle located within reach of 6-foot supply cord. The circuit required is 15 Amp, 120Volt, 60 Hz. Before connecting supply cord to wall receptacle make certain that wall shut-off valve and all burner controls are in "OFF" position.

Operation of electric igniters should be checked after unit and gas supply have been carefully checked for leaks and unit is connected to electric power.

Fig. 8

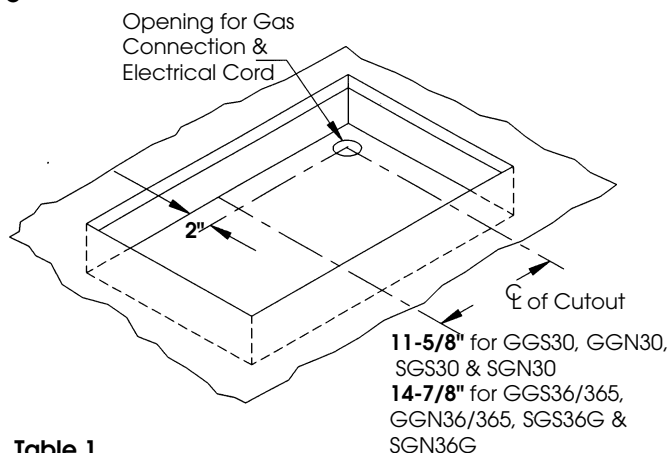


Fig. 9

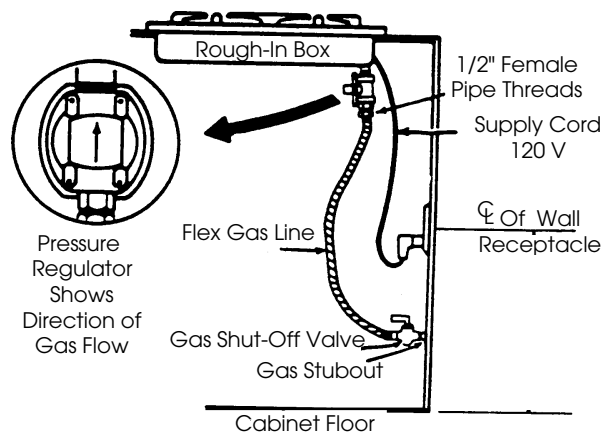


Table 1

MODEL	VOLTS	CIRCUIT REQUIRED	HZ.	GAS	MANIFOLD PRESSURE
GGS30, GGN30 GGS36, GGN36 GGS365, GGN365 SGS30, SGN30 SGS36G, SGN36G	120	15 Ampere	60	Natural	5 Inch Water Column
				Propane	10 Inch Water Column

Thermador is a leading manufacturer of Convection Micro Thermal Ovens, Convection Thermal Ovens, Thermal Electric Ovens, Warming Drawers, Free-Standing and Slide-In Ranges, Steel Gas ExtraLow<sup>®</sup> Cooktops, Steel Gas Cooktops, Glass Gas ExtraLow Cooktops, Glass Gas Cooktops, Glass Ceramic Gas Cooktops, Glass Ceramic Dual-Fuel Cooktops, Glass Ceramic All-Radiant Cooktops, Glass Ceramic Halogen Cooktops, Electric Cooktops, Professional<sup>®</sup> All-Gas Ranges and Cooktops, Professional Dual-Fuel Ranges, Cook'n'Vent<sup>®</sup> Downdraft Ventilation System, Hoods, Ventilators, Housings, Dishwashers and Char-Glo<sup>®</sup> Outdoor Barbecues. Specifications are for planning purposes only. Refer to installation instructions and consult your countertop supplier prior to making counter opening. Consult with a heating and ventilating engineer for your specific ventilation requirements. For the most detailed information, refer to installation instructions accompanying product or write Thermador indicating the model number.

Thermador reserves the right to change specifications or design without notice. Some models are certified for use in Canada. Thermador is not responsible for products which are transported from the United States for use in Canada. Check with your local Canadian distributor or dealer. Thermador, 5551 McFadden Avenue, Huntington Beach, CA 92649.

***Thermador***<sup>®</sup>

5551 McFadden Avenue, Huntington Beach, CA 92649 • 800/735-4328  
ECO 14028 • 20-02-2751 • © BSH Home Appliances Corp. • Litho in U. S. A. 4/01