

PARTS MANUAL

Model

**RGX7500 & RGX7500E
GENERATORS**

PUB-EP
Rev. 03/12



SUBARU

Industrial Power Products

Robin America, Inc.

905 Telsler Road • Lake Zurich, IL 60047 • Phone: 847-540-7300 • Fax: 847-438-5012
e-mail: sales@subarupower.com • www.subarupower.com

© Copyright 2012 Robin America, Inc.

GROUP INDEX

Group Name	Page
CRANKCASE GROUP	4
CRANKSHAFT GROUP	8
INTAKE and EXHAUST GROUP	10
GOVERNOR GROUP	14
COOLING and STARTING GROUP	16
FUEL, LUBRICATION GROUP	18
ELECTRIC.....	22

FIG. 1 CRANKCASE GROUP

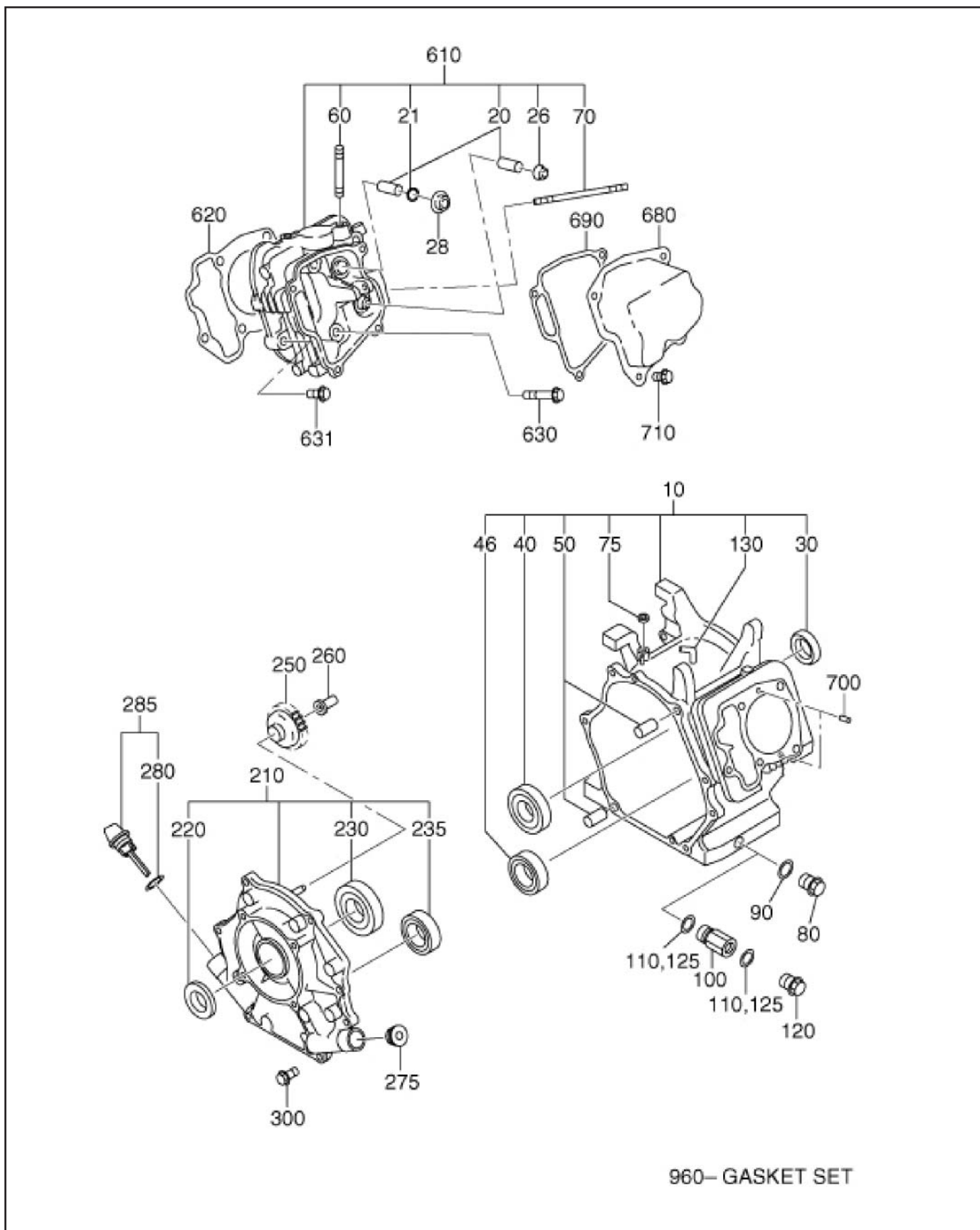


FIG. 1 CRANKCASE GROUP

Ref.	Part Number	Description	Qty	Remarks	Model
10	20B-10104-31	CRANK CASE CP	1		
20	20B-14202-03	VALVE GUIDE	2		
21	056-51000-50	CLIP	1	10.7DX0.9D	
26	132-11AA1-10	SEAL-EXH VALVE	1		
28	263-35341-03	RETAINER PLATE	1	11DX17.3DX27DX4.7H	
30	044-03500-91	OIL SEAL	1	35DX48DX8B	
40	X60-03502-40	BALL BEARING	1		
50	277-15011-03	PIPE KNOCK	2	10.3DX8.5DX14L	
60	010-50802-90	STUD	2	M8X1.25X30L	
70	010-50603-51	STUD	2	M6X1.0X98L	
75	044-00800-10	OIL SEAL	1	8DX14DX4B	
80	040-11400-30	PLUG	2	M14X1.5X20DX12L	
90	021-11400-20	GASKET	2	14.1DX19DX2.3T	
210	20B-11004-21	MAINBEARING COVER CP	1		
220	044-03500-91	OIL SEAL	1	35DX48DX8B	
230	X60-03502-40	BALL BEARING	1		
250	20B-45003-11	GOVERNOR GEAR CP	1		
260	277-41902-01	GOVERNOR SLEEVE CP	1		
280	021-32000-50	GASKET	2	20DX27DX1.5T	
285	279-63601-30	OIL GAUGE AY	2		
300	011-00803-40	FLANGE BOLT	8	M8X1.25X17DX38L	
610	20B-13001-00	CYLINDER HEAD AY	1		
620	20B-15001-33	GASKET(HEAD)	1		
630	011-01000-40	FLANGE BOLT	4	M10X1.25X19DX75L	
631	001-04083-50	FLANGE BOLT	2	M8X1.25X16DX35L	
680	20B-15501-01	ROCKER COVER CP	1		
690	20B-16001-03	GASKET(ROCKER COVER)	1		
700	031-00600-10	DOWEL PIN	2	6DX14.8L	
710	011-00600-20	FLANGE BOLT	4	M6X1.0X14DX12L	
960	20B-99001-27	GASKET SET	1		

FIG. 2 CRANKSHAFT GROUP

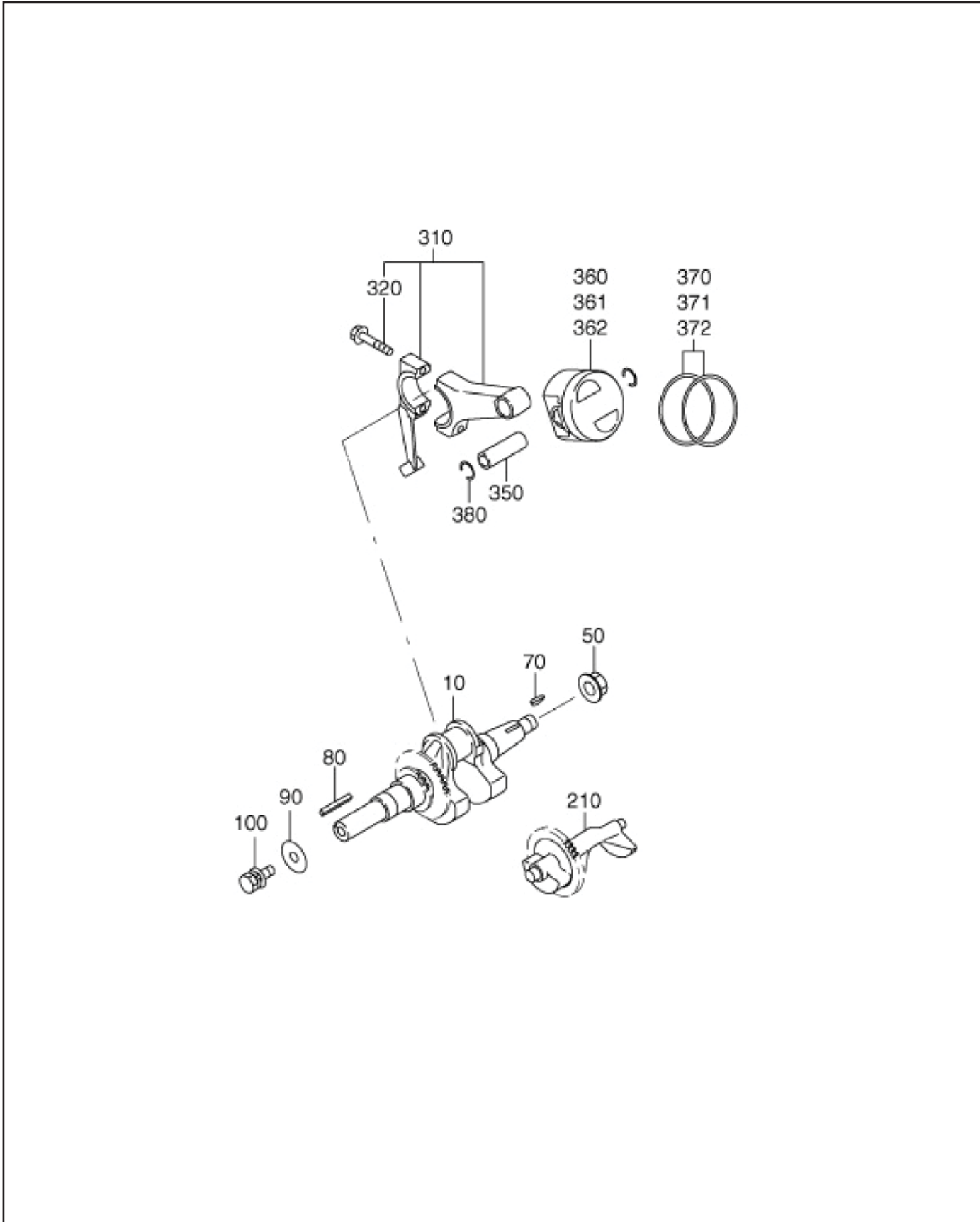


FIG. 2 CRANKSHAFT GROUP

Ref.	Part Number	Description	Qty	Remarks	Model
10	20B-20701-01	CRANK SHAFT CP	1		
50	018-01800-10	FLANGE NUT	1	M18X1.5X31DX14H	
70	005-32054-01	WOODRUFF KEY	1	5BX7.5HX19D	
310	20B-22501-00	CONNECTING ROD AY	1		
320	001-05084-00	FLANGE BOLT	2	M8X1.25X16DX40L	
350	263-23301-33	PISTON PIN	1	21DX15DX64.2L	
360	20B-23401-H3	PISTON	1	STD	
361	20B-23403-H3	PISTON	1	0.25 O.S.	
362	20B-23404-H3	PISTON	1	0.50 O.S.	
370	20B-23501-07	PISTON RING SET	1	STD	
371	20B-23502-07	PISTON RING SET	1	0.25 O.S.	
372	20B-23503-07	PISTON RING SET	1	0.50 O.S.	
380	056-52100-20	CLIP	2	22.1DX1.4D	

FIG. 3 INTAKE and EXHAUST GROUP

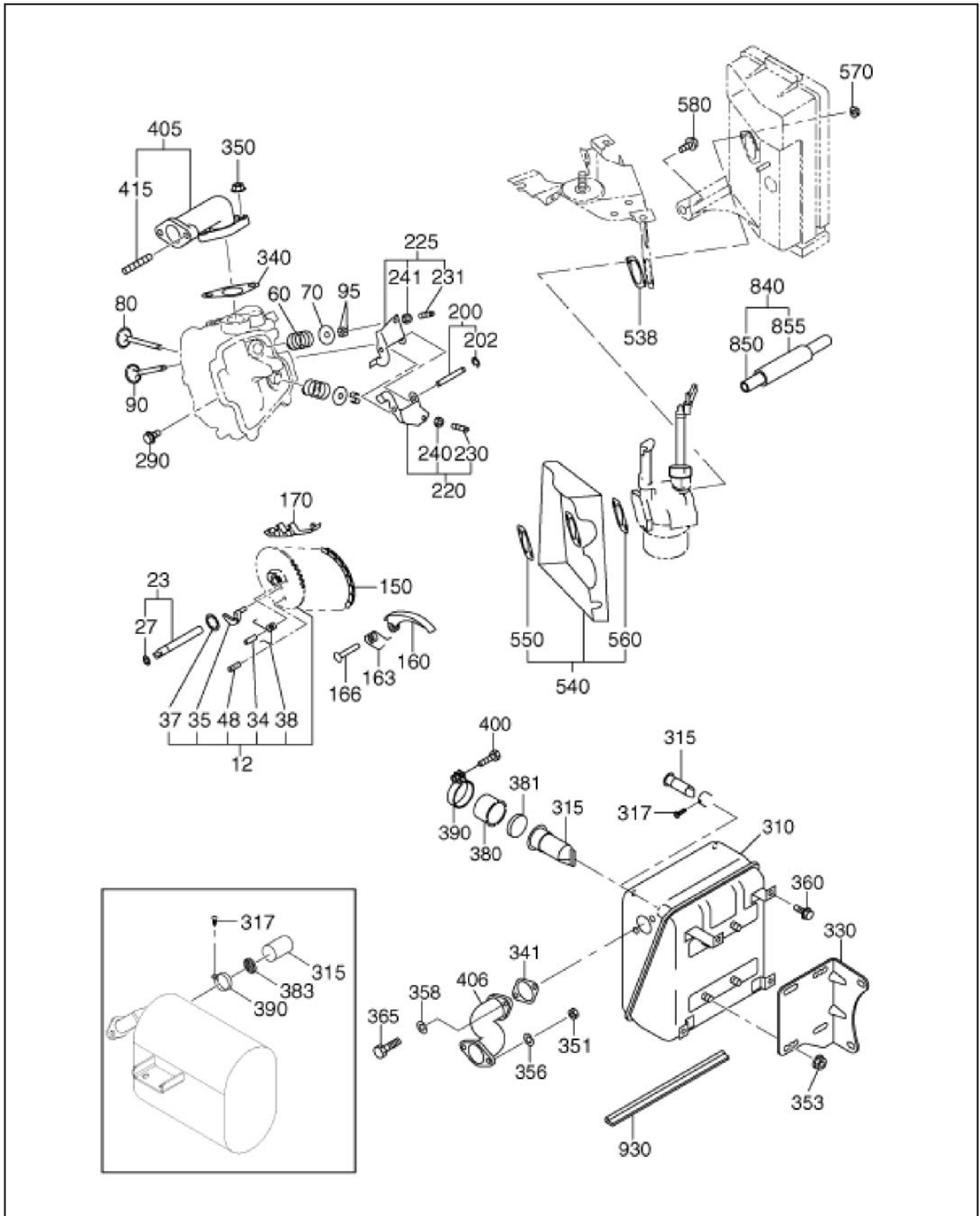


FIG. 3 INTAKE and EXHAUST GROUP

Ref.	Part Number	Description	Qty	Remarks	Model
12	20B-31602-10	CAMSHAFT AY	1		
23	20B-35101-21	PIN(CAM SHAFT)CP	1		
27	024-00700-21	O-RING	1		
34	005-19041-00	SPRING PIN	1	4.4DX10LX0.8T	
35	277-36401-03	RELEASE LEVER	1		
37	20B-36501-03	CLIP	1		
38	20B-38701-03	RETURN SPRING	1		
48	031-80500-20	ROLL PIN	1		
60	246-33611-03	VALVE SPRING	2	22.2DX2.9DX37L N=6.5	
70	246-33711-13	SPRING RETAINER	2	7.6DX26DX8T	
80	20B-33401-H3	INTAKE VALVE	1		
90	20B-33501-H3	EXHAUST VALVE	1		
95	246-35501-03	COLLET-VALVE	4		
150	20B-35601-H1	TIMING CHAIN CP	1		
160	277-36911-03	TENTIONER	1		
163	277-37101-03	SPRING(TENTIONER)	1	10DX1.8DX14L N=4.5	
166	277-36902-03	PIN(TENTIONER)	1	6DX13DX34L	
170	277-36913-13	CHAIN GUIDE	1		
200	20B-35001-01	PIN(ROCKER)CP	1		
202	003-13060-00	CLIP	1	6DX12DX0.8T	
220	20B-36101-00	ROCKER ARM(IN) AY	1		
225	20B-36102-10	ROCKER ARM(EX) AY	1		
230	014-90500-20	ADJUST SCREW	1	M5X0.5X23L	
231	014-90500-20	ADJUST SCREW	1	M5X0.5X23L	
240	017-00500-30	NUT	1	M5X0.5X4.1H	
241	017-00500-30	NUT	1	M5X0.5X4.1H	
290	011-00600-10	FLANGE BOLT	1	M6X1.0X14DX8L	
310	36D-11001-11	MUFFLER CP	1		
315	267-37602-01	SPARK ARRESTER CP	1		
317	015-00400-60	TAPPING SCREW	1	M4X6L	
330	31H-15002-03	MUFFLER BRACKET	1		
340	20B-35201-13	GASKET(MUFFLER)	1		
341	270-35201-01	GASKET CP (MUFFLER)	2	T=0.4 30D 8.5DX52P	
350	002-38080-00	FLANGE NUT	2	M8X1.25X17DX7.5H	
351	002-18080-00	NUT	2	M8X1.25X6.5H	
353	002-38080-00	FLANGE NUT	4	M8X1.25X17DX7.5H	
356	003-20080-00	SPRING WASHER	2	8.2DX15.4DX2T	
358	020-30800-10	SPRING WASHER	2	8.2DX15.4DX2T	
365	010-30800-70	BOLT	2	M8X1.25X20L	
405	20B-34001-01	EXHAUST PIPE CP	1		
406	35G-14001-01	EXHAUST PIPE CP	1		
415	010-50802-90	STUD	2	M8X1.25X30L	
538	20B-35903-13	GASKET 3	1		
540	20B-32901-J1	INSULATOR CP	1		
550	20B-35902-H3	GASKET 2	1		
560	20B-35901-H3	GASKET 1	1		

FIG. 3 INTAKE and EXHAUST GROUP

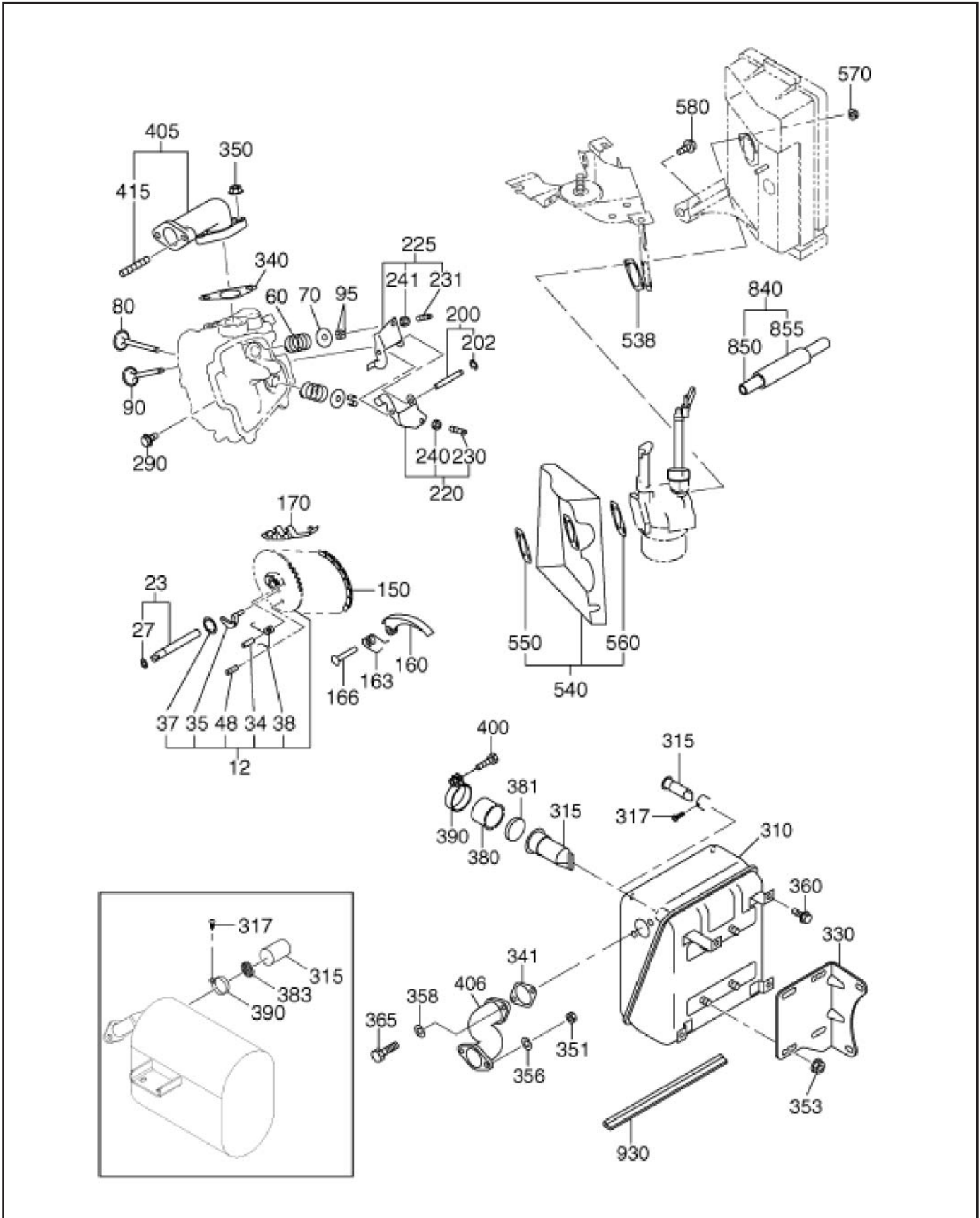


FIG. 3 INTAKE and EXHAUST GROUP

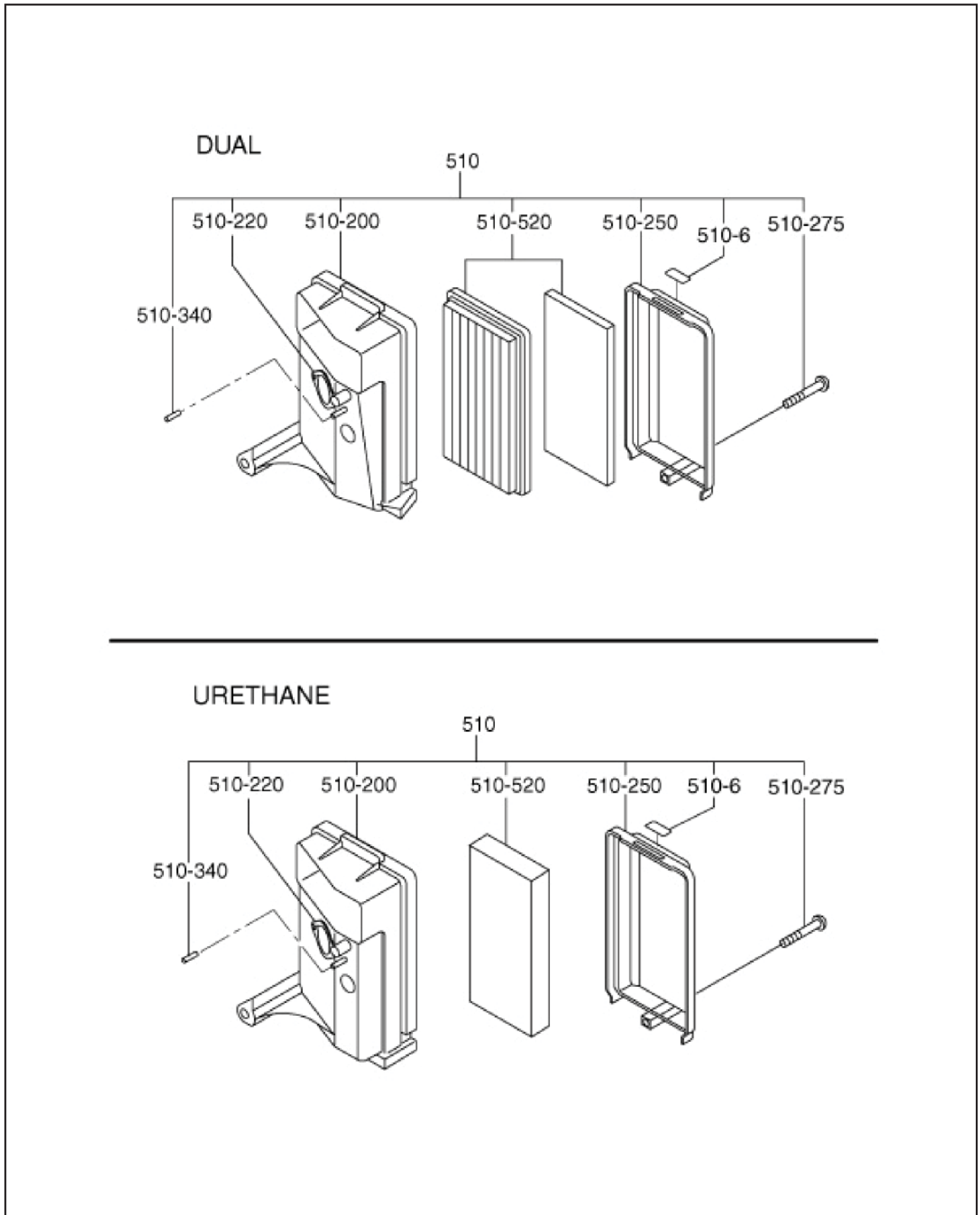


FIG. 4 GOVERNOR GROUP

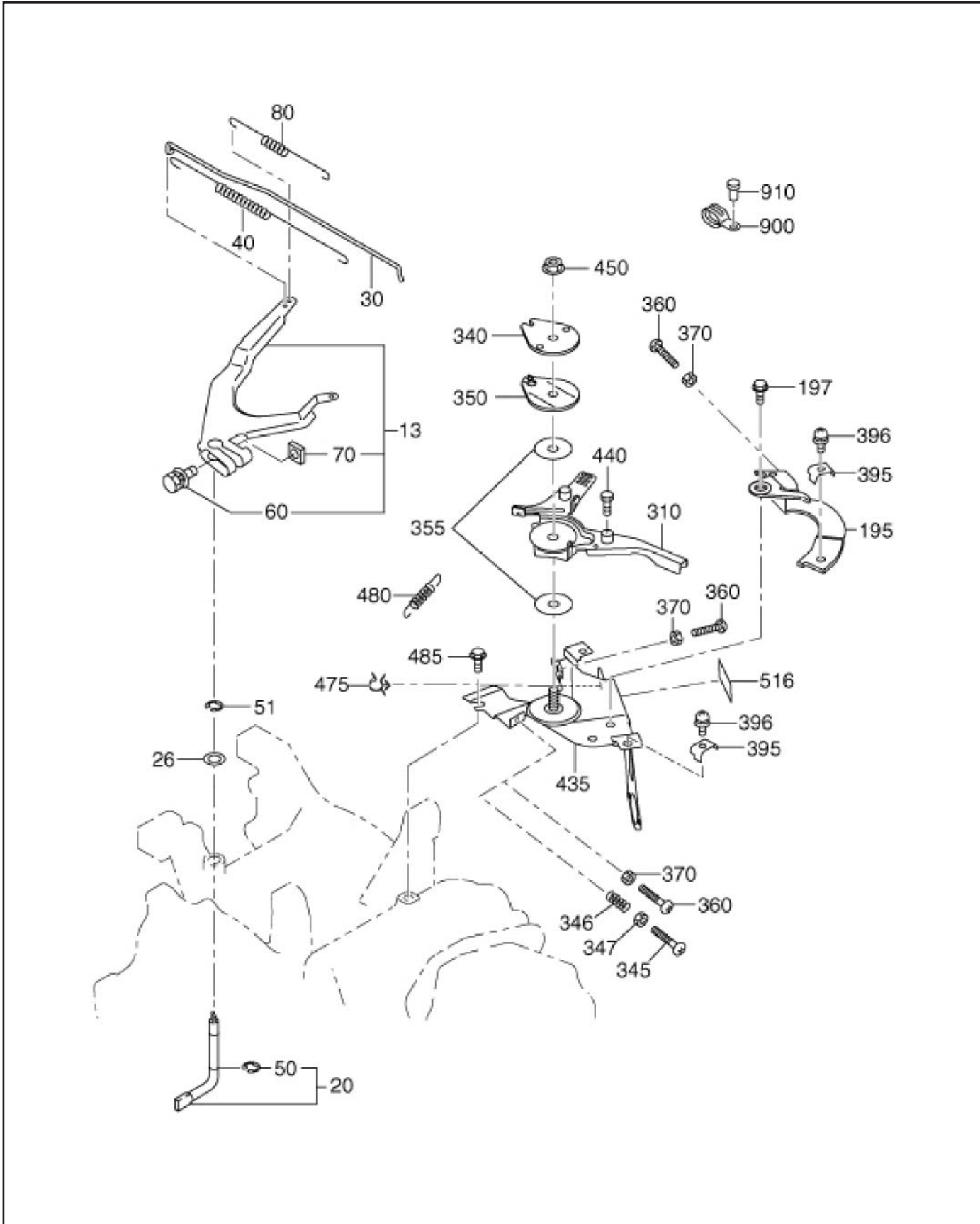


FIG. 5 COOLING and STARTING GROUP

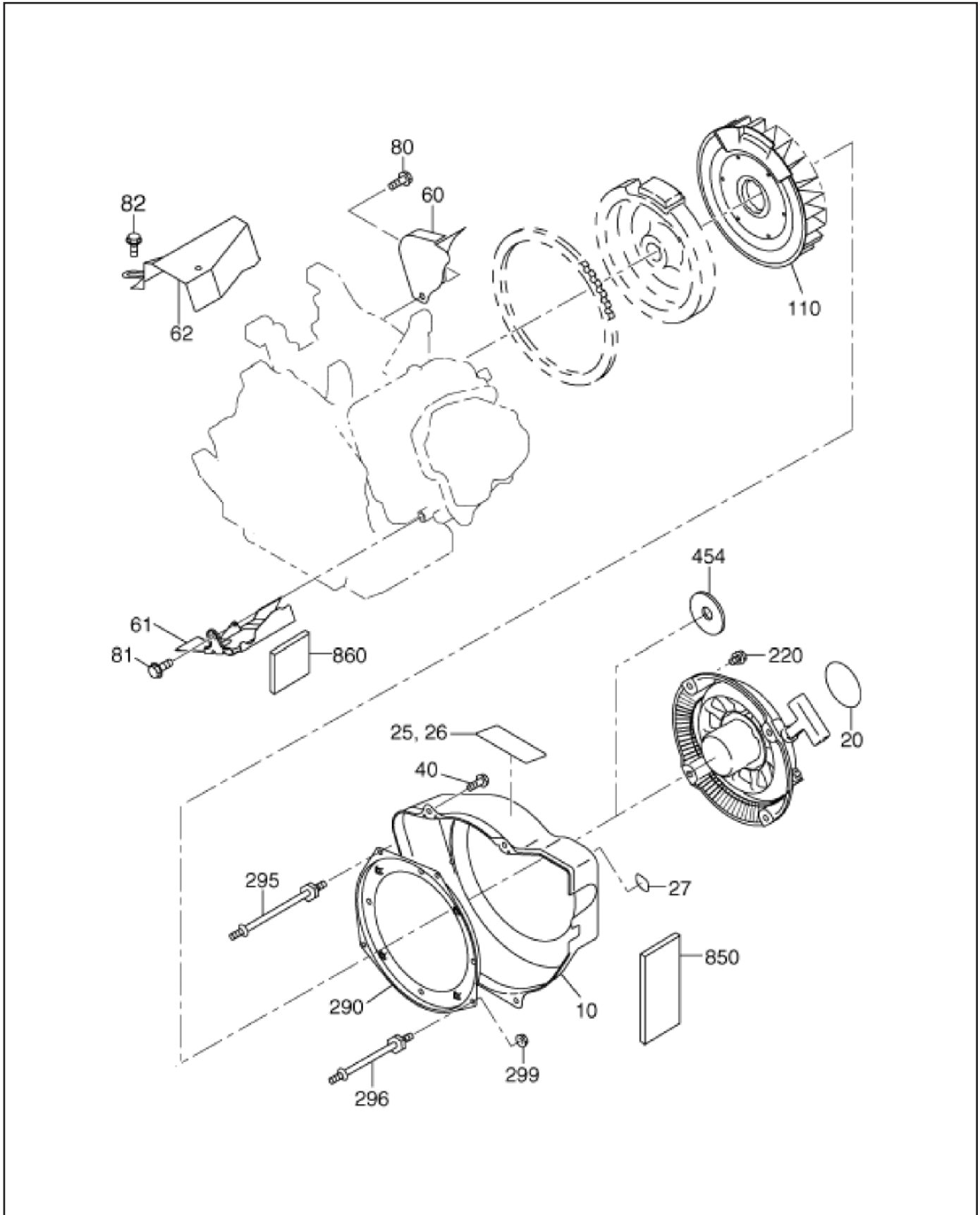


FIG. 5 COOLING and STARTING GROUP

Ref.	Part Number	Description	Qty	Remarks	Model
10	20B-51302-01	BLOWER HOUSING CP	1		
20	073-20058-20	LABEL(TRADE MARK)	1	60D	
25	073-20058-50	LABEL(WARNING)	1		
26	073-20058-60	LABEL(WARNING)	1		
40	011-00600-20	FLANGE BOLT	4	M6X1.0X14DX12L	
60	279-52711-11	BAFFLE 1(CASE) CP	1		Recoil Only
61	20B-52704-13	BAFFLE 2(HEAD)	1		
62	20B-55001-03	DUCT(CASE)	1		
80	001-65081-20	BOLT	1	M8X1.25X12L	Recoil Only
81	011-00600-10	FLANGE BOLT	2	M6X1.0X14DX8L	
82	011-00600-20	FLANGE BOLT	3	M6X1.0X14DX12L	
110	20B-54101-H3	COOLING BLOWER	1		
220	013-00602-81	BOLT AND WASHER AY	4	M6X1.0X14L W/SW	

FIG. 5 COOLING and STARTING GROUP

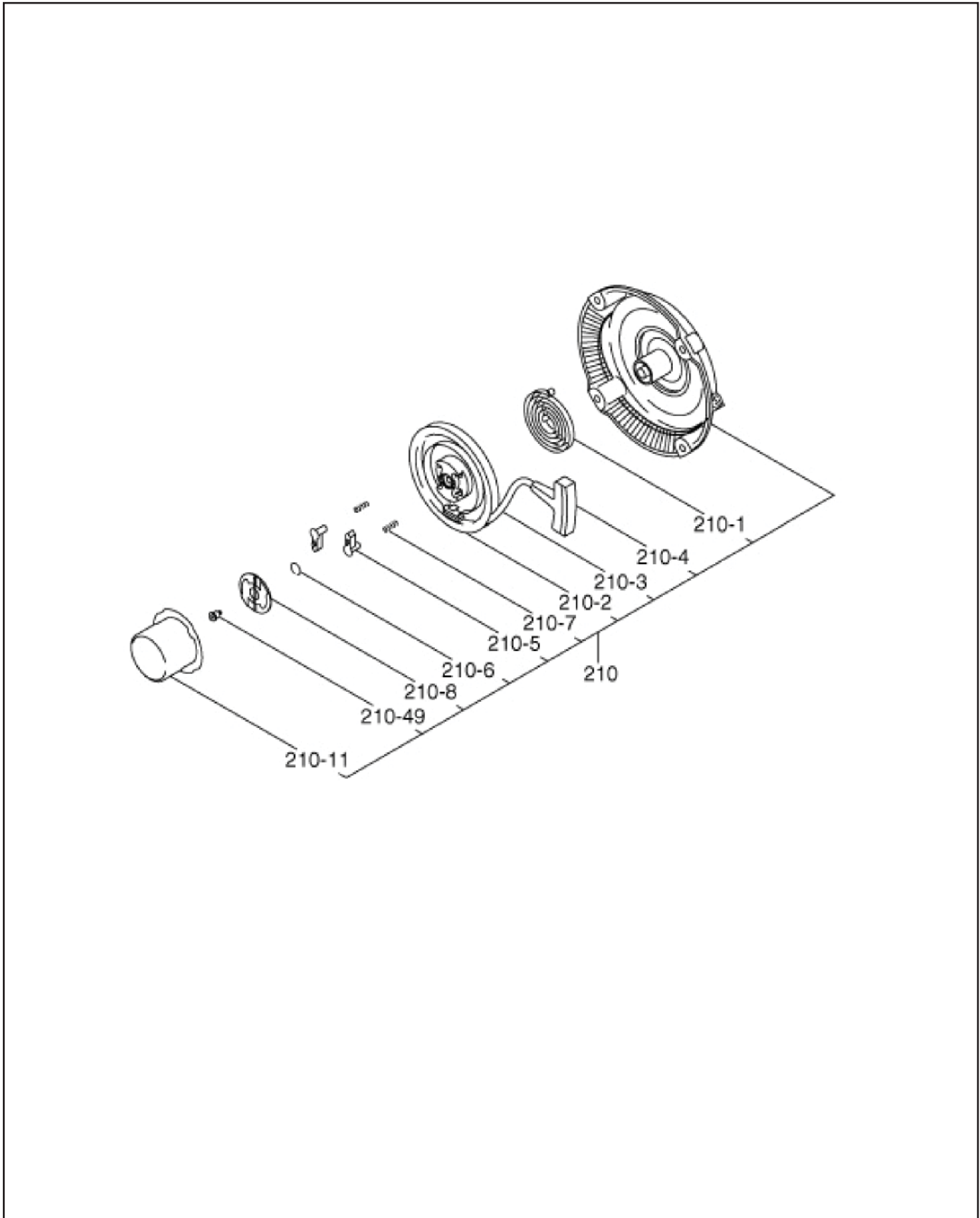


FIG. 6 FUEL LUBRICANT GROUP

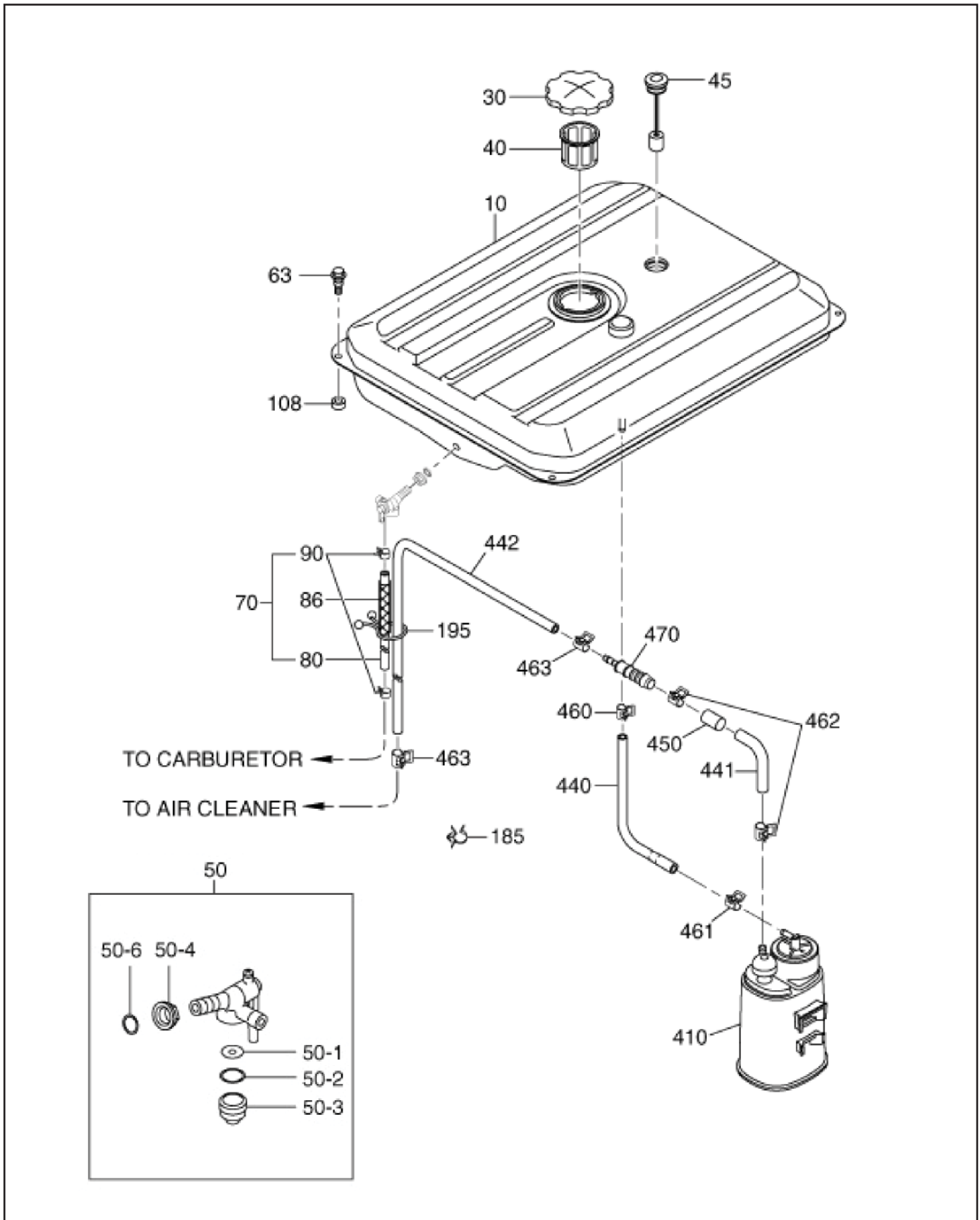


FIG. 6 FUEL LUBRICANT GROUP

Ref.	Part Number	Description	Qty	Remarks	Model
10	35G-60001-01	FUEL TANK CP	1		
30	043-05900-20	FUEL TANK CAP AY	1		
40	064-15400-11	FUEL FILTER	1	54DX58DX48H	
45	064-80015-00	FUEL GAUGE CP	1		
50	064-20064-00	FUEL STRAINER AY	1		
-1	064-20064-20	FILTER	1		
-2	064-20064-10	PACKING	1		
-3	064-20042-10	CUP	1		
-4	064-20064-30	NUT	1		
-6	064-20064-40	PACKING	1		
63	011-00602-20	FLANGE BOLT	4		
80	085-10618-61	RUBBER PIPE	1		
86	35G-62501-03	MESH PROTECTOR	1		Recoil Only
90	056-11000-30	HOSE CLAMP	2	10DX8BX1T	
108	391-39000-13	RUBBER WASHER	4		
185	056-81200-10	CLAMP	1		
195	056-90000-10	PURSE LOCK 1	1		
410	35G-65001-00	CANISTER AY	1		
440	35G-67001-03	RUBBER PIPE	1		
441	35G-67002-03	RUBBER PIPE	1		
442	085-10418-80	RUBBER PIPE	1		
450	35G-62502-03	TUBE	1		
460	056-10800-10	HOSE CLAMP	1	7.8DX6BX0.6T	
461	056-11000-30	HOSE CLAMP	1	10DX8BX1T	
462	056-11200-40	HOSE CLAMP	2	12DX8BX0.8T	
463	056-10800-20	HOSE CLAMP	2	8.5DX8BX0.7T	
470	35G-68001-03	JOINT	1		

FIG. 6 FUEL LUBRICANT GROUP

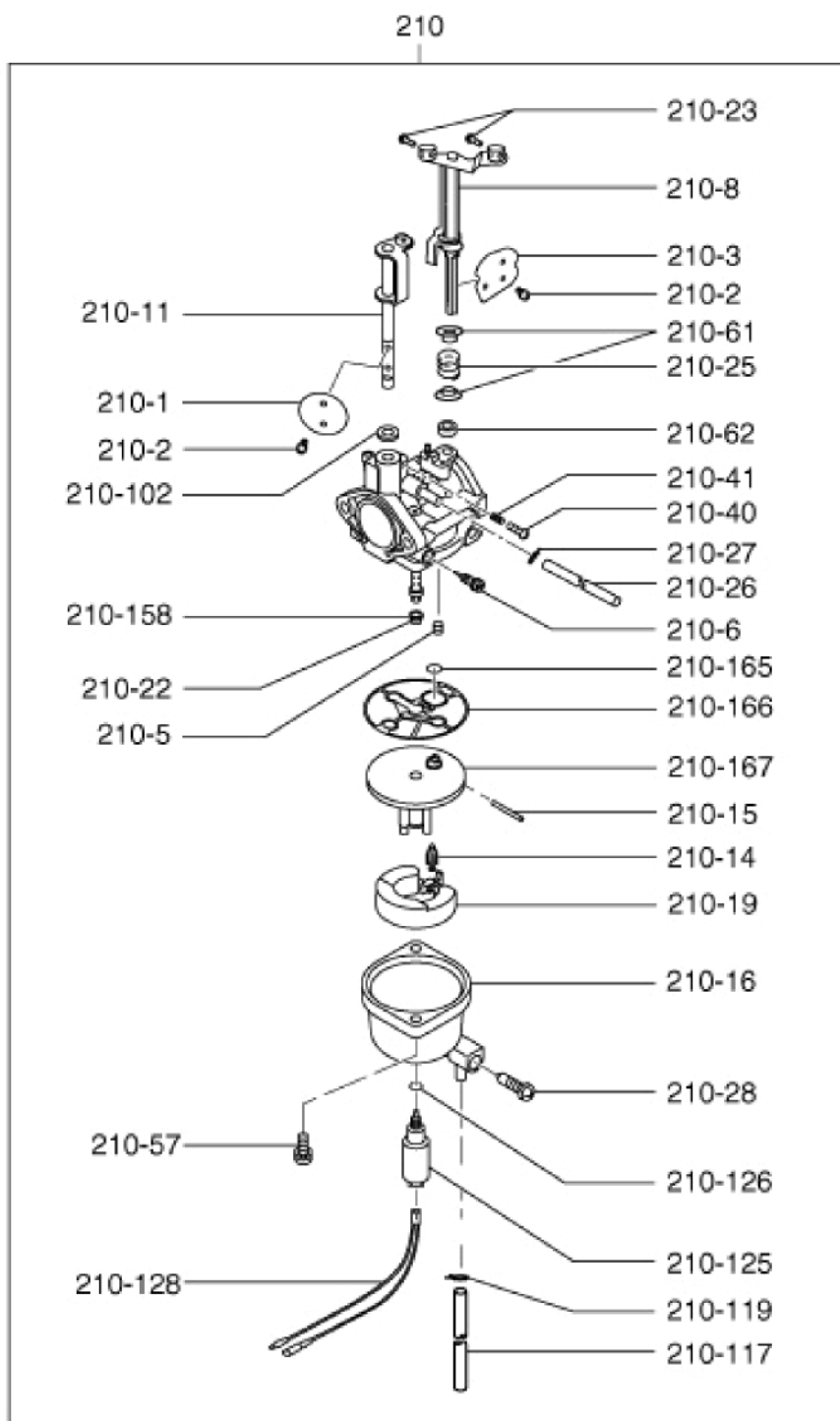


FIG. 6 FUEL LUBRICANT GROUP

Ref.	Part Number	Description	Qty	Remarks	Model
210	20B-62302-10	CARBURETOR AY	1		
-1	20B-62535-08	VALVE, THROTTLE	1		
-2	261-62352-08	SCREW, VALVE SET	2		
-3	20B-62526-08	VALVE, CHOKE	1		
-5	20B-62422-08	JET, SLOW	1	#49	
-6	20B-62357-08	NEEDLE CP, IDLE ADJUST	1		
-8	20B-62527-18	SHAFT, CHOKE	1		
-11	20B-62530-08	SHAFT AY, THROTTLE	1		
-14	20B-62500-08	VALVE AY FLOAT	1		
-15	263-62515-08	PIN, FLOAT	1		
-16	20B-62550-08	CHAMBER CP, FLOAT	1		
-19	20B-62505-08	FLOAT AY	1		
-22	20B-62403-08	JET, MAIN (#113)	1		
-28	20B-62354-08	SCREW, DRAIN	1		
-40	20B-62353-08	SCREW, THRO. ADJUST	1		
-41	20B-62445-08	SPRING, THRO. ADJUST	1		
-57	20B-62453-08	SCREW	2		
-62	258-62554-08	FILTER (CHOKE SHAFT)	1		
-102	226-62580-08	FILTER, AIR	1		
-158	20B-62542-08	O RING	1		
-165	20B-62541-08	O RING	1		
-166	20B-62540-08	SPACER	1		
-167	20B-62520-08	SPACER	1		
-167	20B-62520-08	SPACER	1		
-166	20B-62540-08	SPACER	1		
-165	20B-62541-08	O RING	1		
-158	20B-62542-08	O RING	1		

FIG. 7 ELECTRIC GROUP

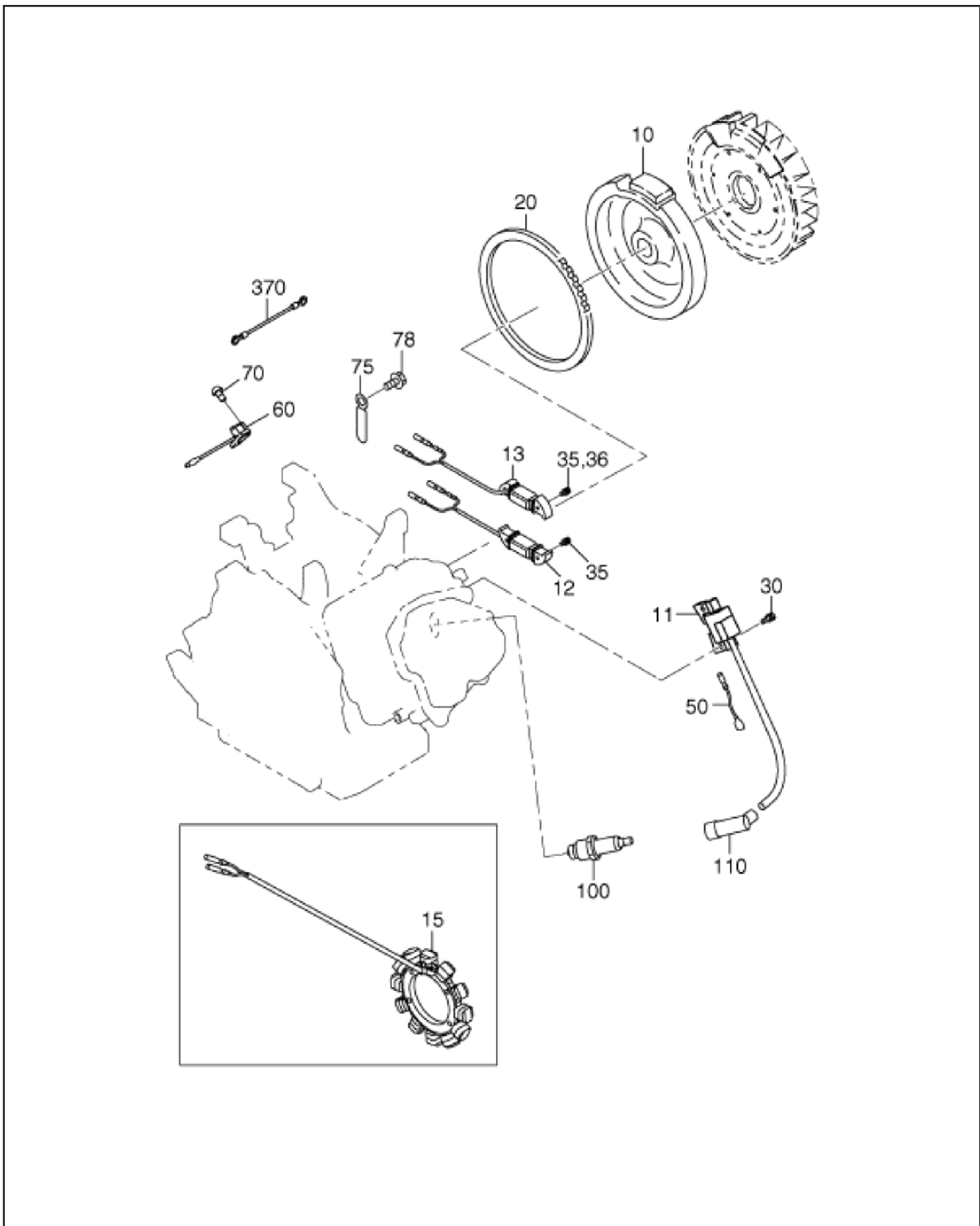


FIG. 7 ELECTRIC GROUP

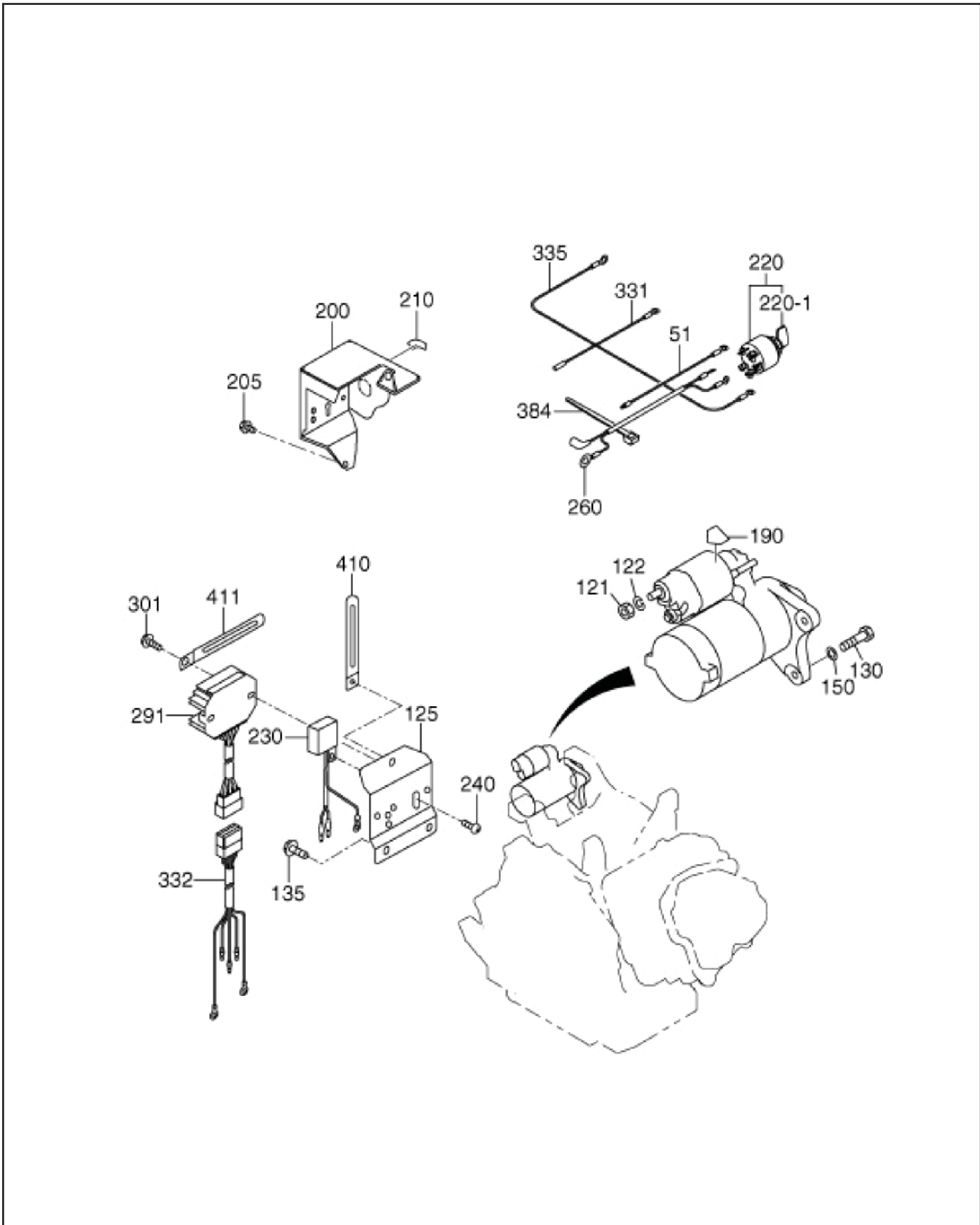


FIG. 7 ELECTRIC GROUP

Ref.	Part Number	Description	Qty	Remarks	Model
121	002-17080-00	NUT	1	M8X1.25X6.5H	
122	003-20080-00	SPRING WASHER	1	8.2DX15.4DX2T	
125	20B-76511-01	BRACKET(SEL) CP	1		
130	214-79007-01	BOLT CP,STARTER	2	M8X1.25X30L	
135	011-00600-20	FLANGE BOLT	3	M6X1.0X14DX12L	
150	003-10080-00	WASHER	2	8.5DX16DX1.2T	
190	073-20044-80	LABEL(BATTERY)	1		
220	066-00003-30	SWITCH	1		
-1	066-00099-80	KEY,SWITCH	2	MARK 103	

FIG. 7 ELECTRIC GROUP

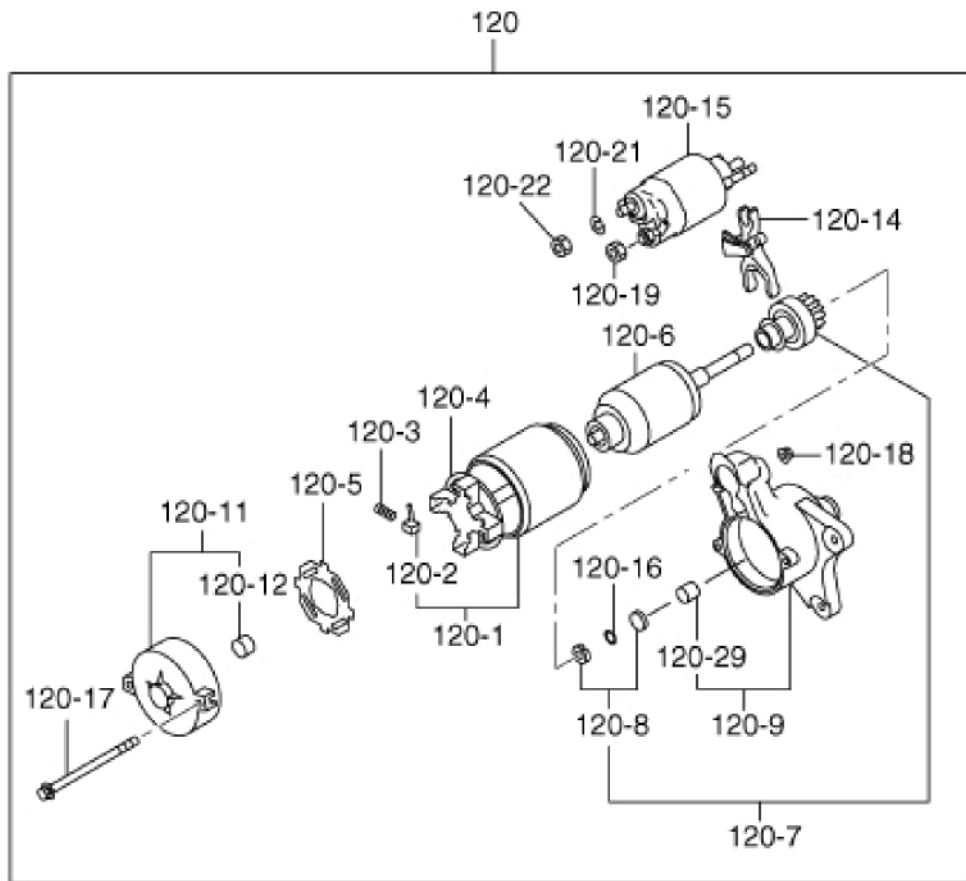


FIG. 7 **ELECTRIC GROUP**

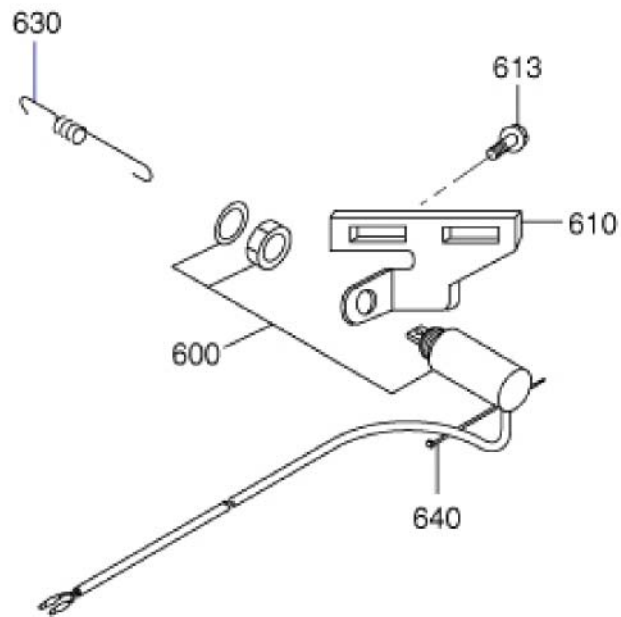


FIG. 7 ELECTRIC GROUP

Ref.	Part Number	Description	Qty	Remarks	Model
600	20B-75301-00	SOLENOID AY	1		
610	20B-76501-11	BRACKET(SOLENOID) CP	1		
613	001-11061-20	BOLT AND WASHER AY	2	M6X1.0X12L W/SW	
630	20B-78201-03	SPRING (SOLENOID)	1		
640	056-30000-10	WIRE BAND	1	4.5BX1.2TX200L	

FIG. 7 **ELECTRIC GROUP**

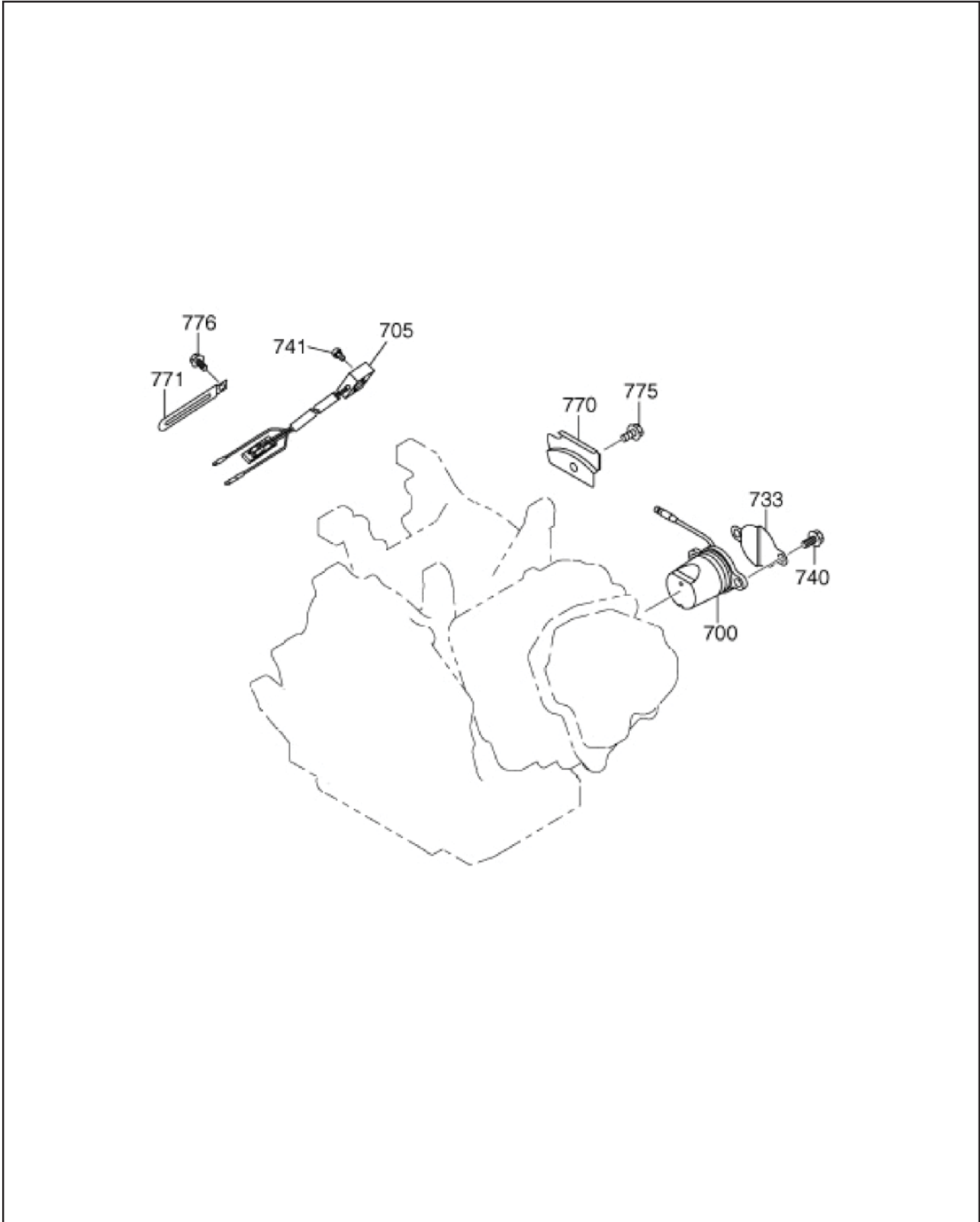


FIG. 9 ACCESSORY GROUP

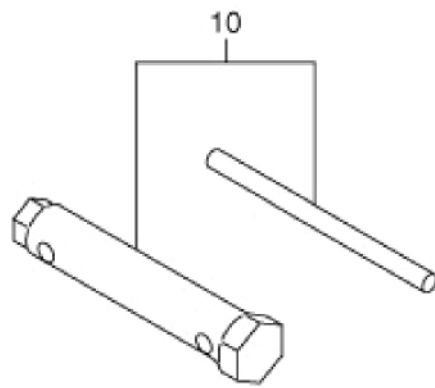


FIG. 10 SHIP LOOSE

(Illustrations are excluded.)

(**FIG 1000**は単独発送部品につき、
イラストは省略します。)

FIG. 10 SHIP LOOSE

Ref.	Part Number	Description	Qty	Remarks	Model
1	35G-66001-02	BRACKET CP	1		
2	33B-58001-01	BATTERY BAND	1		
3	KU3-11015-01	IDLE C/U CP (150V)	1		
4	073-20059-40	LABEL(LEVEL CAUTION)	1		
5	073-20059-50	LABEL(CO GAS)	1		
6	073-20045-10	LABEL(SYMBOL-TANK)	1	50X71	
7	073-20056-00	LABEL(CAUTION)	1		
8	073-20050-80	LABEL(F.STRAINER)	1	25X35	
9	073-20048-60	LABEL(HOT & GAS)	1	24X88	
10	073-20056-60	LABEL(WARNING)	1		

FIG. 22 GROUP

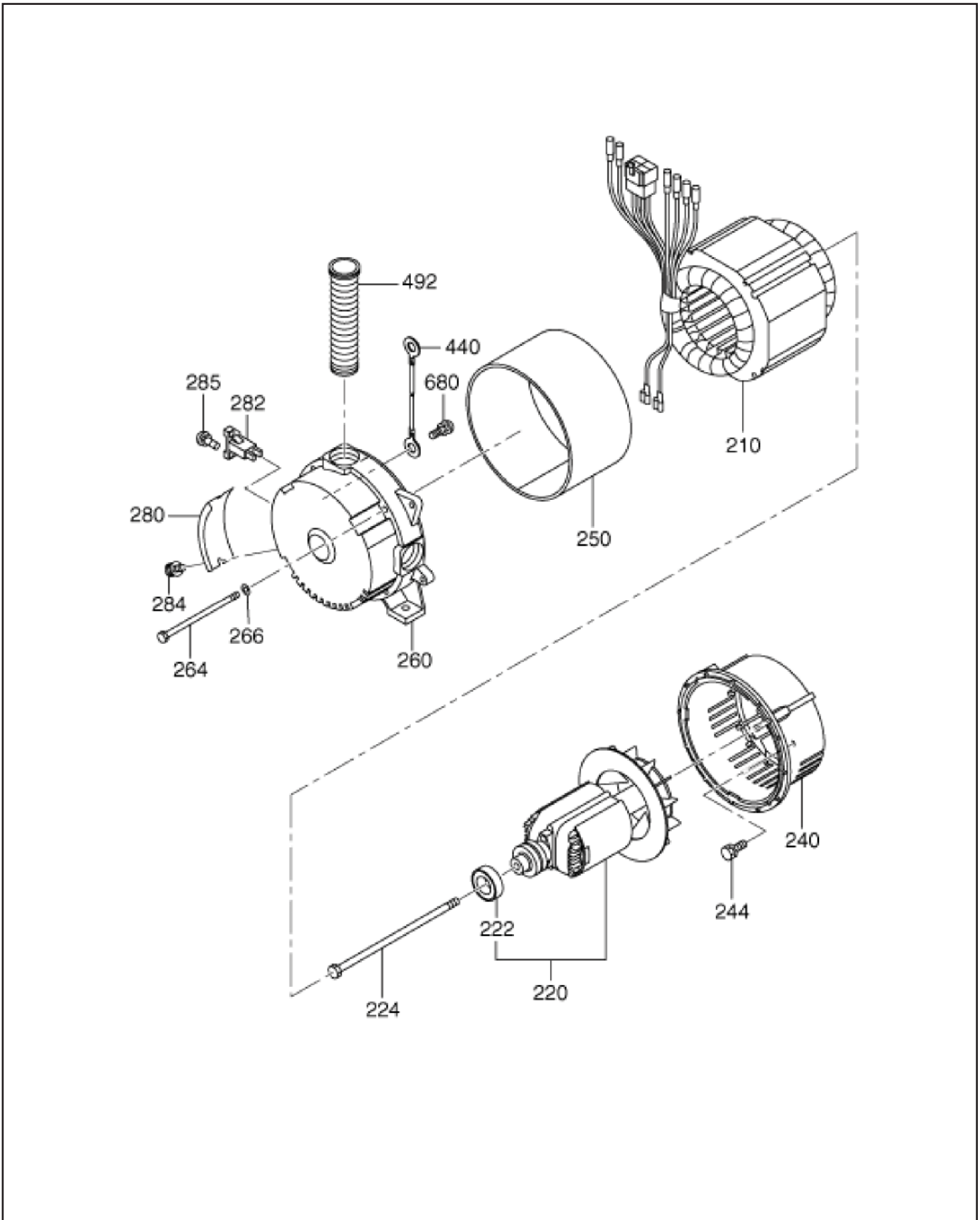


FIG. 23 GROUP

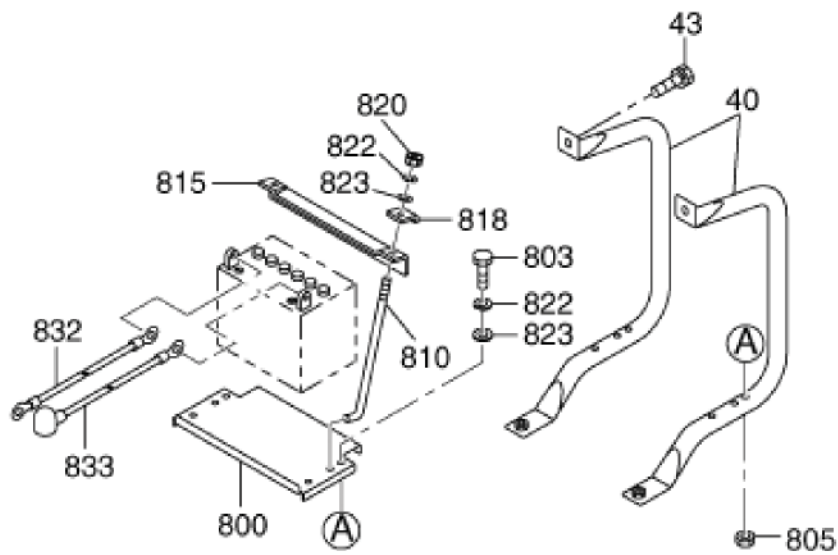
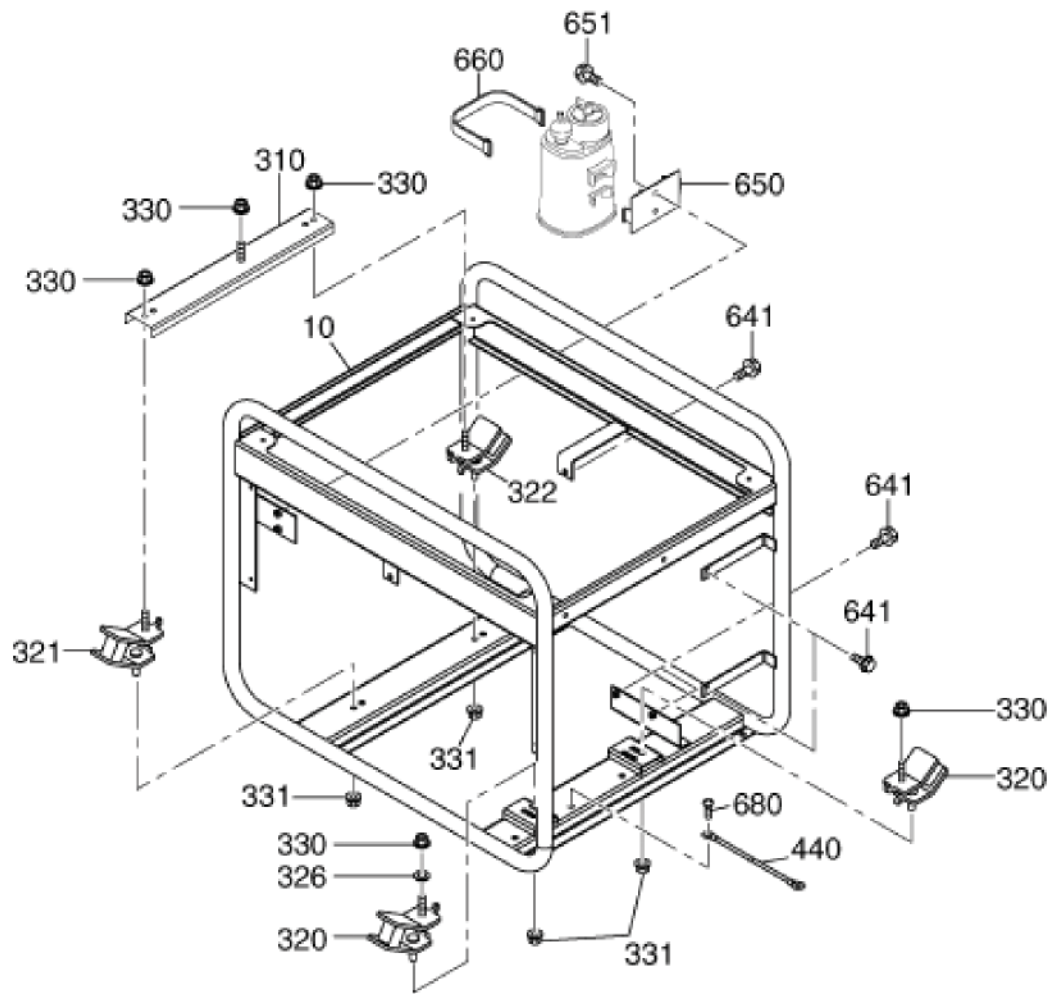


FIG. 23 GROUP

Ref.	Part Number	Description	Qty	Remarks	Model
10	35G-61001-01	PIPE FRAME CP	1		
40	35G-61021-01	BATTERY FRAME	2		Electric Start Only
43	359-59935-08	BOLT & WASHER AY	4		Electric Start Only
310	35G-61011-01	ENGINE BASE	1		
320	35C-62001-01	RUBBER MOUNT UN	2		
321	35G-62001-01	MOUNT CP	1		
322	35G-62002-01	MOUNT CP	1		
326	003-10100-00	WASHER	1	10.5DX18DX1.6T	
330	002-38100-00	FLANGE NUT	5	M10X1.5X19DX9H	
331	002-38080-00	FLANGE NUT	4	M8X1.25X17DX7.5H	
440	35G-64001-01	EARTH WIRE	1		
641	35C-72014-03	FLANGE BOLT	6		
650	35G-66001-02	BRACKET CP	1		
651	35C-72014-03	FLANGE BOLT	2		
660	33B-58001-01	BATTERY BAND	1		
680	392-49987-08	SCREW	1		
800	389-54451-08	BATTERY BASE CP	1		Electric Start Only
803	001-11063-50	BOLT AND WASHER AY	4		Electric Start Only
805	002-38060-00	FLANGE NUT	4	M6X1.0X13DX6H	Electric Start Only
810	353-59921-08	BATTERY BOLT	2		Electric Start Only
815	385-54382-08	BATTERY ANGLE	1		Electric Start Only
818	385-54416-08	BATTERY SUPPORT	2		Electric Start Only
820	002-17060-00	NUT	2	M6X1.0X5H	Electric Start Only
822	003-20060-00	SPRING WASHER	6	6.1DX12.2DX1.5T	Electric Start Only
823	003-10060-00	WASHER	6	6.5DX11.5DX0.8T	Electric Start Only
832	35G-64011-01	BATTERY CORD (-)	1		Electric Start Only
833	35C-64002-01	BATTERY CORD	1	(+)	Electric Start Only

FIG. 24 GROUP

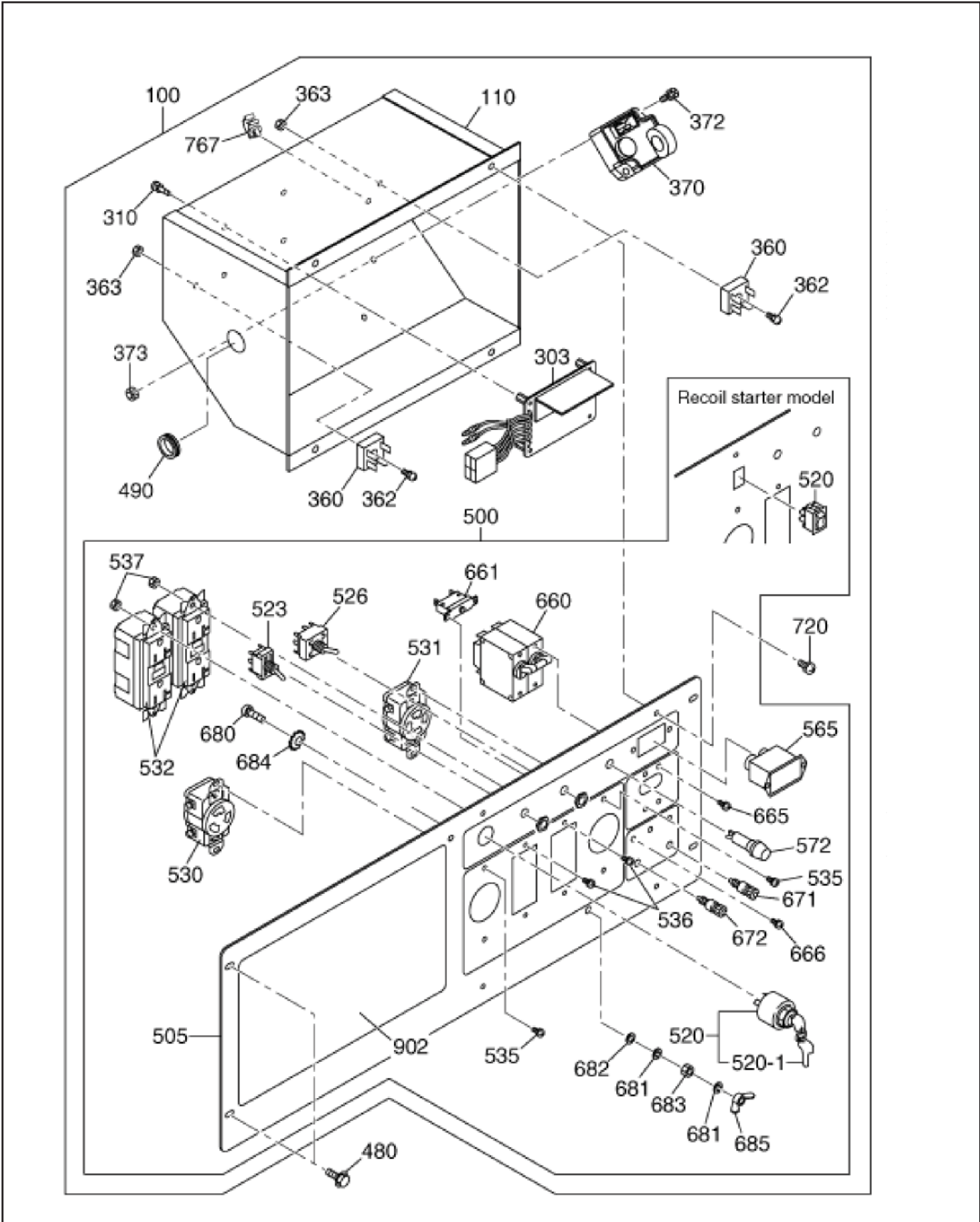


FIG. 24 GROUP

Ref.	Part Number	Description	Qty	Remarks	Model
100	35H-70103-00	CONTROL BOX AY	1		
110	35G-71101-02	CONTROL BOX UN	1		
303	31H-74001-01	AVR UN	1		
310	392-49986-08	SCREW	4	M4X6L	
360	353-45815-08	DIODE STACK AY	1		
362	35G-72015-03	SCREW	1		
363	002-17040-00	NUT	1		
370	KU3-11015-01	IDLE C/U CP (150V)	1		
372	001-13062-00	BOLT AND WASHER AY	2		
373	002-17060-00	NUT	2	M6X1.0X5H	
480	35C-72014-03	FLANGE BOLT	5		
490	31H-75009-03	GROMMET	1		
500	35H-70203-00	CONTROL PANEL AY	1		Recoil Only
500	35H-70204-00	CONTROL PANEL AY	1		Electric Start Only
505	35G-71001-01	CONTROL PANEL	1		Recoil Only
505	35G-71002-01	CONTROL PANEL	1		Electric Start Only
520	35A-72002-03	ROCKER SWITCH	1		Recoil Only
520	066-00003-30	SWITCH	1		Electric Start Only
520-1	066-00099-80	KEY,SWITCH	2	MARK 103	Electric Start Only
523	344-45615-08	AUTO IDLE SWITCH	1		
526	355-45613-11	SWITCH AY(9P)	1		
530	35B-72003-03	AC RECEPTACLE	1	125V/30A	
531	35C-72005-03	AC RECEPTACLE	1		
532	388-85003-01	AC RECEPTACLE	2	125V-20A	
535	31C-79001-03	SCREW & WASHER AY	4		
536	351-49920-08	SCREW & WASHER AY	4		
537	002-37040-00	FLANGE NUT	4		
565	393-40651-08	HOUR METER	1	60HZ	
572	30G-45308-08	LAMP	1		
660	31H-75025-03	BREAKER	1		
661	352-45620-08	CIRCUIT PROTECTOR	1		
665	31B-79011-03	SCREW & WASHER AY	4		
666	351-49921-08	SCREW & WASHER AY	2		
671	363-45701-08	TERMINAL	1	RED 10A	
672	363-45700-08	TERMINAL	1	BLACK 10A	
680	356-49956-08	SCREW	1		
681	332-00050-08	SPRING WASHER	2		
682	353-49903-08	WASHER	1		
683	353-49902-08	NUT	1		
684	372-59950-08	LOCK WASHER	1		
685	353-49901-08	WING NUT	1		
720	31B-79012-03	BOLT AND WASHER AY	4		
767	31H-75028-03	CABLE CLIP	2		Electric Start Only
902	35H-71201-02	LABEL(MODEL)	1		

FIG. 26 GROUP

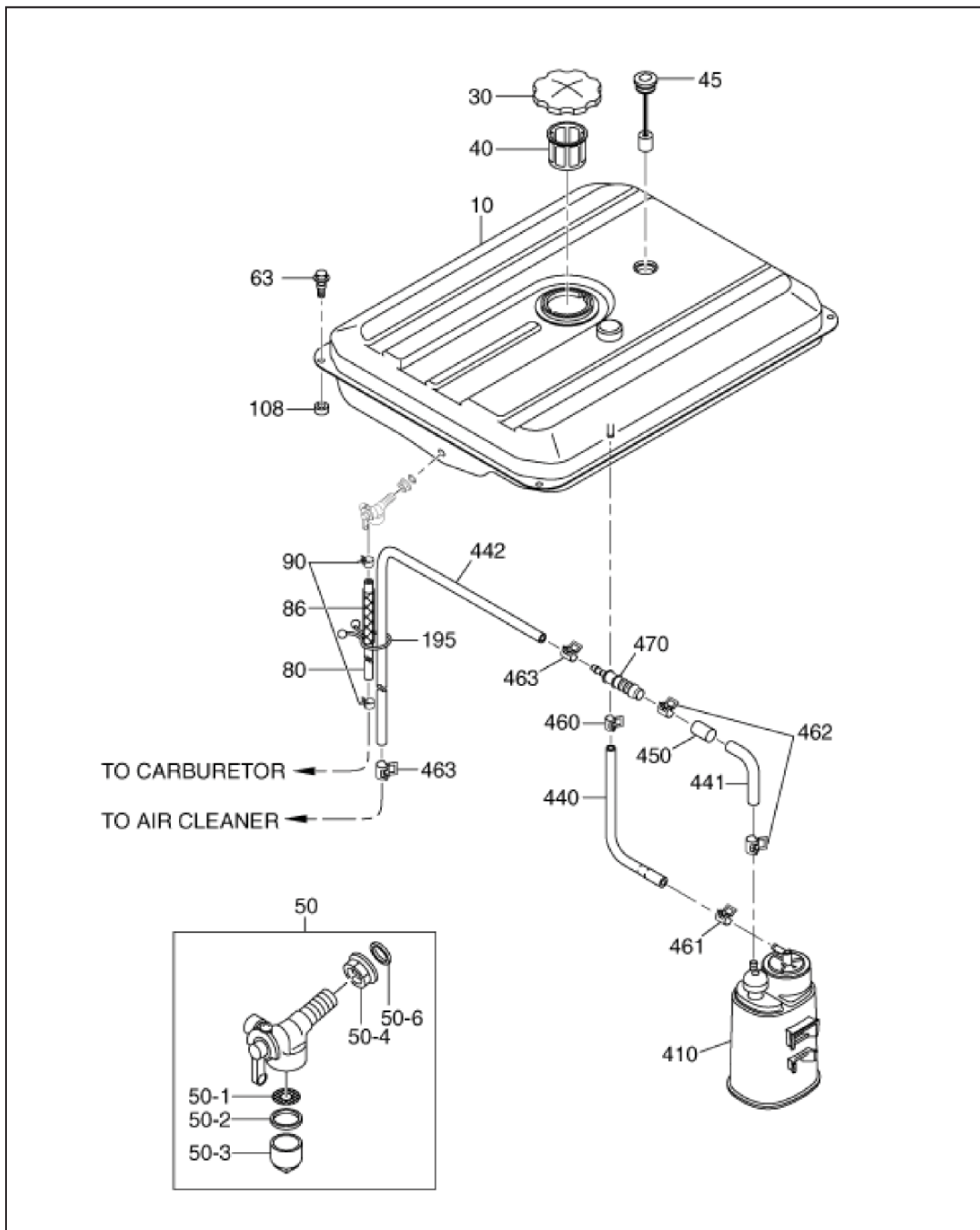


FIG. 26 GROUP

Ref.	Part Number	Description	Qty	Remarks	Model
10	35G-60001-01	FUEL TANK CP	1		
30	043-05900-20	FUEL TANK CAP AY	1		
40	064-15400-11	FUEL FILTER	1	54DX58DX48H	
45	064-80015-00	FUEL GAUGE CP	1		
50	064-20064-00	FUEL STRAINER AY	1		
-1	064-20064-20	FILTER	1		
-2	064-20064-10	PACKING	1		
-3	064-20042-10	CUP	1		
-4	064-20064-30	NUT	1		
-6	064-20064-40	PACKING	1		
63	011-00602-20	FLANGE BOLT	4		
80	085-10618-61	RUBBER PIPE	1		
86	35G-62501-03	MESH PROTECTOR	1		
90	056-11000-30	HOSE CLAMP	2	10DX8BX1T	
108	391-39000-13	RUBBER WASHER	4		
195	056-90000-10	PURSE LOCK 1	1		
410	35G-65001-00	CANISTER AY	1		
440	35G-67001-03	RUBBER PIPE	1		
441	35G-67002-03	RUBBER PIPE	1		
442	085-10418-80	RUBBER PIPE	1		
450	35G-62502-03	TUBE	1		
460	056-10800-10	HOSE CLAMP	1	7.8DX6BX0.6T	
461	056-11000-30	HOSE CLAMP	1	10DX8BX1T	
462	056-11200-40	HOSE CLAMP	2	12DX8BX0.8T	
463	056-10800-60	HOSE CLAMP	2		
470	35G-68001-03	JOINT	1		

FIG. 27 GROUP

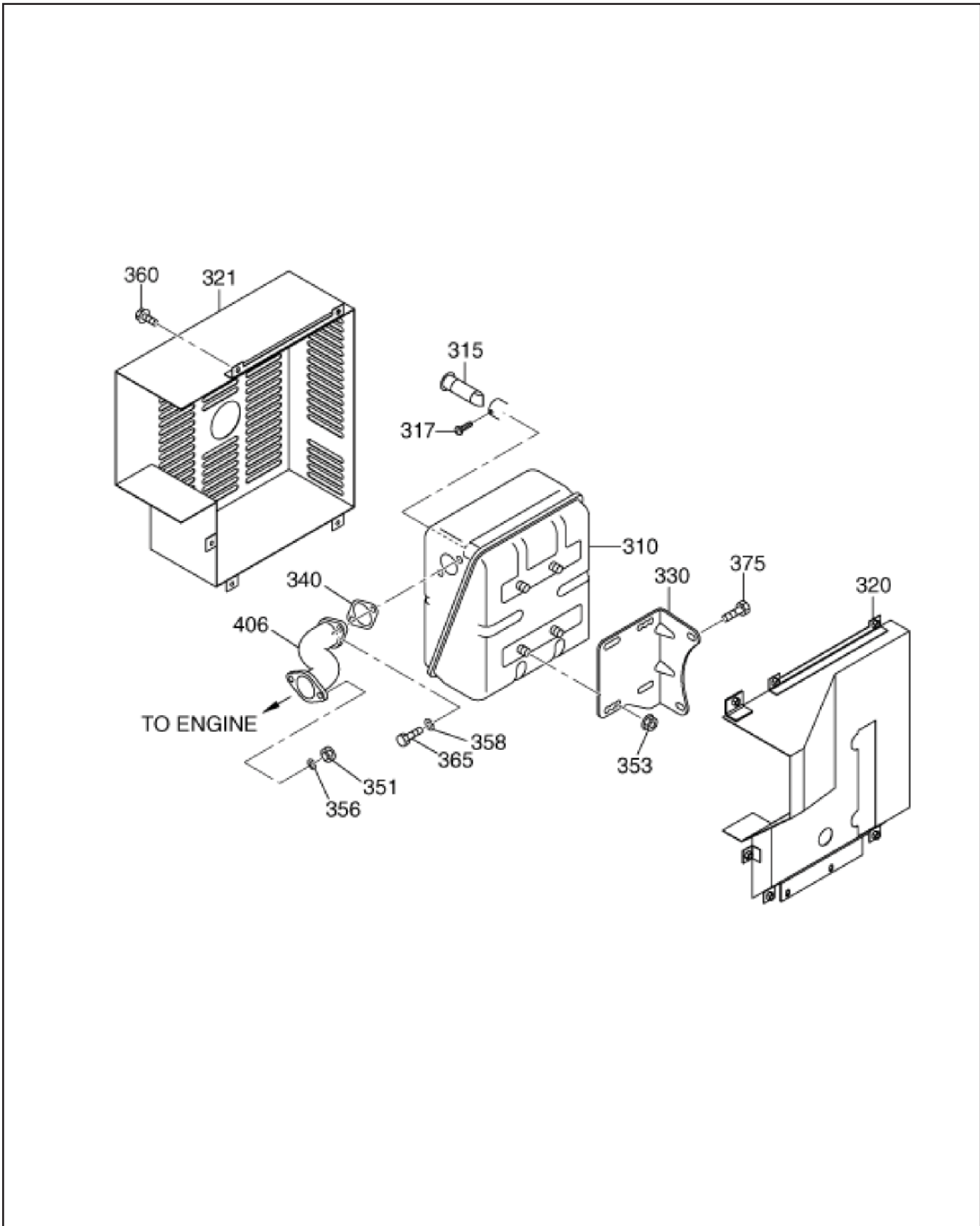


FIG. 29 **GROUP**

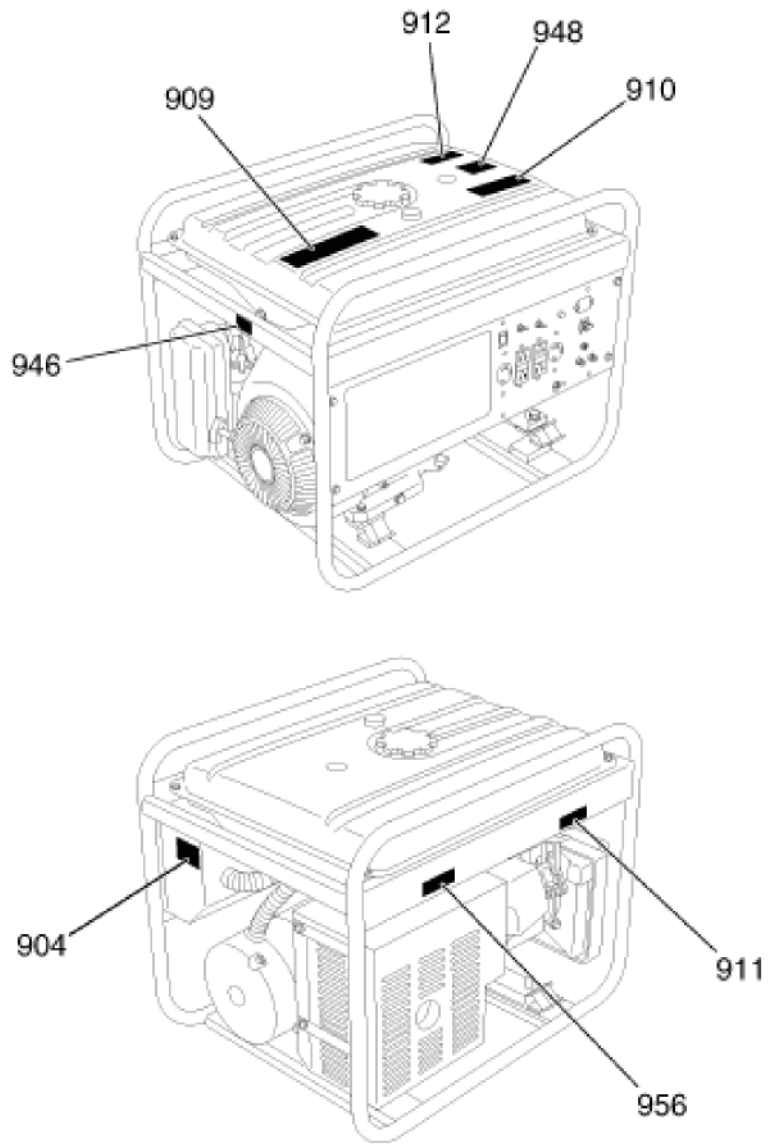


FIG. 29 GROUP

Ref.	Part Number	Description	Qty	Remarks	Model
904	35H-82101-03	LABEL(SPEC)	1		
909	073-20059-50	LABEL(CO GAS)	1		
910	073-20056-00	LABEL(CAUTION)	1		
911	073-20056-60	LABEL(WARNING)	1		
912	073-20059-40	LABEL(LEVEL CAUTION)	1		
946	073-20050-80	LABEL(F.STRAINER)	1	25X35	
948	073-20045-10	LABEL(SYMBOL-TANK)	1	50X71	
956	073-20048-60	LABEL(HOT & GAS)	1	24X88	

PRINTED IN THE USA

Robin America, Inc

905 Telsler Road • Lake Zurich, IL 60047
Phone: 847-540-7300 • Fax: 847-438-5012
e-mail: sales@robinamerica.com • www.subarupower.com