

# OPERATION AND PARTS MANUAL

# STOW

A DIVISION OF MULTIQUIP INC.

## **MODEL MS-63 PLASTER AND MORTAR MIXER (GASOLINE ENGINE/ELECTRIC MOTOR)**

Revision #5 (03/26/10)

To find the latest revision of this  
publication, visit our website at:  
[www.stowmfg.com](http://www.stowmfg.com)



**THIS MANUAL MUST ACCOMPANY THE EQUIPMENT AT ALL TIMES.**

 **WARNING** 

**CALIFORNIA — Proposition 65 Warning**

Engine exhaust and some of its constituents, and some dust created by power sanding, sawing, grinding, drilling and other construction activities contains chemicals known to the State of California to cause cancer, birth defects and other reproductive harm. Some examples of these chemicals are:

- Lead from lead-based paints.
- Crystalline silica from bricks.
- Cement and other masonry products.
- Arsenic and chromium from chemically treated lumber.

Your risk from these exposures varies, depending on how often you do this type of work. To reduce your exposure to these chemicals: **ALWAYS** work in a well ventilated area, and work with approved safety equipment, such as dust masks that are specially designed to filter out microscopic particles.



# STOW MS-63 PLASTER/MORTAR MIXER — TABLE OF CONTENTS

## STOW MS-63 — Plaster/Mortar Mixer

Proposition 65 Warning .....	2
Table Of Contents .....	4
Parts Ordering Procedures .....	5
Specifications .....	6
Dimensions .....	7
Safety Messages Alert Symbols .....	8-9
Rules For Safe Operation .....	10-11
Towing Guidelines .....	12
Safety Chain Connection .....	13
Operation and Safety Decals .....	14
General Information .....	15
Basic Mixer Components .....	16
Basic Engine Components .....	17
Electric Motor .....	18-19
Paddle Blade Adjustment .....	20
Inspection .....	21-22
Start-up Procedures .....	22-24
Operation and Shut-Down .....	25
Maintenance (Engine) .....	26-27
Maintenance (Mixer) .....	28-32
Troubleshooting (Engine) .....	33-34
Troubleshooting (Mixer/Electric Motor) .....	35
Electric Motor Wiring Diagram .....	36
Explanation of Code In Remarks Column .....	38
Suggested Spare Parts .....	39

## Component Drawings

Nameplate and Decals .....	40-41
Frame Assembly .....	42-43
Paddle Shaft Assembly .....	44-45
Steel Drum Assembly .....	46-47
Drum and Paddle Shaft Complete Assembly .....	48-49
Axle Assembly .....	50-51
Engine Assembly .....	52-53
Electric Motor Assembly .....	54-55
Cabinet Assembly .....	56-57

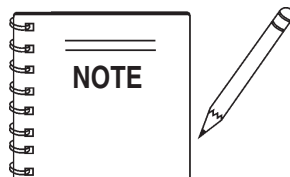
## HONDA GX160K1QMX2HX2 ENGINE

Air Cleaner Assembly .....	58-59
Camshaft Assembly .....	60-61
Carburetor Assembly .....	62-63
Control Assembly .....	64-65
Crankcase Cover Assembly .....	66-67
Crankshaft Assembly .....	68-69
Cylinder Barrel Assembly .....	70-71
Cylinder Head Assembly .....	72-73
Fan Assembly .....	74-75
Flywheel Assembly .....	76-77
Muffler Assembly .....	78-79
Fuel Tank Assembly .....	80-81
Ignition Coil Assembly .....	82-83
Piston Assembly .....	84-85
Recoil Starter Assembly .....	86-87
Gear Reduction Assembly .....	88-89
Labels .....	90-91

## HONDA GX240K1HA2 ENGINE

Air Cleaner Assembly .....	92-93
Camshaft Assembly .....	94-95
Carburetor Assembly .....	96-97
Control Assembly .....	98-99
Crankcase Cover Assembly .....	100-101
Crankshaft Assembly .....	102-103
Cylinder Barrel Assembly .....	104-105
Cylinder Head Assembly .....	106-107
Fan Assembly .....	108-109
Flywheel Assembly .....	110-111
Muffler Assembly .....	112-113
Fuel Tank Assembly .....	114-115
Ignition Coil Assembly .....	116-117
Piston Assembly .....	118-119
Recoil Starter Assembly .....	120-121
Gear Reduction Assembly .....	122-123
Labels .....	124-125

Terms and Conditions of Sale — Parts .....	126
--	-----



**Specifications and are subject to change without notice.**

# STOW MS-63 MIXER — PARTS ORDERING PROCEDURES

## When ordering parts, please supply the following information:

- Dealer account number
- Dealer name and address
- Shipping address (if different than billing address)
- Return fax number
- Applicable model number
- Quantity, part number and description of each part
- Specify preferred method of shipment:
  - ✓ FedEx or UPS Ground
  - ✓ FedEx or UPS Second Day or Third Day
  - ✓ FedEx or UPS Next Day
  - ✓ Federal Express Priority One
  - ✓ DHL
  - ✓ Truck

*Note: Unless otherwise indicated by customer, all orders are treated as "Standard Orders", and will ship within 24 hours. We will make every effort to ship "Air Shipments" the same day that the order is received, if prior to 2PM west coast time. "Stock Orders" must be so noted on fax or web forms.*



## Here's how to get help...

*Please have the model and serial number on hand when calling.*

### STOW MAIN OFFICE

18910 Wilmington Ave. 800-421-1244  
 Carson, CA 90746 FAX: 310-537-3927  
 Email: stow@stowmfg.com  
 Internet: www.stowmfg.com

### SALES DEPARTMENT

310-661-4242 Fax: 310-604-9237  
 877-289-7869 (877-BUY-STOW)

### PARTS DEPARTMENT

800-427-1244 FAX: 800-672-7877  
 310-537-3700 FAX: 310-637-3284

### SERVICE DEPARTMENT

800-478-1244 FAX: 310-537-4259  
 310-537-3700

### TECHNICAL ASSISTANCE

800-478-1244 FAX: 310-631-5032

### WARRANTY DEPARTMENT

800-421-1244, EXT. 279 FAX: 310-537-1173  
 310-537-3700, EXT. 279

## Place Your Parts Order Via Web or Fax For Even More Savings!

*(Domestic USA Dealers Only)*

### Extra Discounts!

All parts orders which include complete part numbers and are received by our automated web parts order system, or by fax qualify for the following extra discounts:

Ordered via	Standard orders	Stock orders (\$750 list and above)
Fax	3%	10%
Web	5%	10%

### Special freight allowances when you order 10 or more line items via Web or Fax! \*\*

FedEx Ground Service **at no charge for freight**  
 No other allowances on freight shipped by any other carrier.

\*\*Common nuts, bolts and washers (all items under \$1.00 list price) do not count towards the 10+ line items.

NOTE: DISCOUNTS ARE SUBJECT TO CHANGE

# STOW

A DIVISION OF MULTIQUIP INC.  
**STOW CONSTRUCTION EQUIPMENT**  
 A DIVISION OF MULTIQUIP INC.

POST OFFICE BOX 6254 CARSON, CA 90749  
 888-252-STOW [888-252-7869] 310-537-3700  
 FAX: 310-537-1986 FAX: 800-556-1986  
 E-MAIL: stow@multiquip.com INTERNET: www.stowmfg.com

## Direct TOLL-FREE access to our Parts Department:

Toll-free nationwide — 800-427-1244

Toll-free FAX — 800-6-PARTS-7 (800/672-7877)

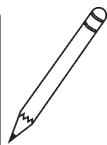
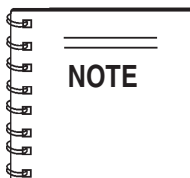
# STOW MS-63 PLASTER/MORTAR MIXER — SPECIFICATIONS

## TABLE 1. MIXER SPECIFICATIONS

Capacity	6.3 cu. ft (178 liters)
Bag Capacity	1-1/2 to 2-1/2 bags
Weight	574 lbs. (260 kg.)
Height W/Dump Handle	73 in. (185 cm.)
Discharge Height	17.5 in. (44.45 cm.)
Drive	V-Belt/Gear
Dump Action	Manual

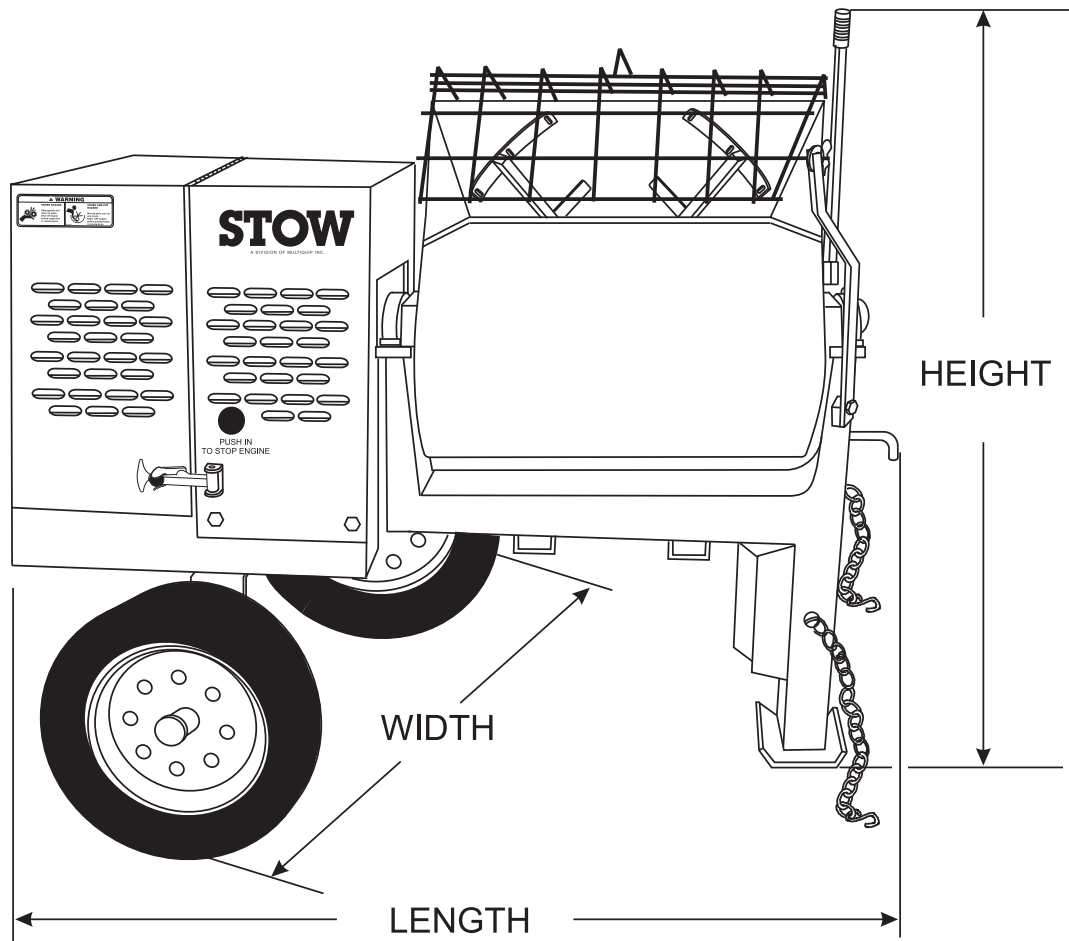
## TABLE 2. SPECIFICATIONS (ENGINE & ELECTRIC MOTOR)

	Model	HONDA GX160K1HX2	HONDA GX240K1HA2	BALDOR 35L229S302
<b>Engine/Electric Motor</b>	Type	Air-cooled 4 stroke, Horizontal Shaft Gasoline Engine		1.5 HP, 115/230, Single Phase Electric Motor
	Bore X Stroke	2.51 in. X 1.65 in. (63.8 mm x 42 mm)	2.90 in. X 2.30 in. (73 mm x 58 mm)	N/A
	Displacement	8.75 cc	14.81 cc	N/A
	Max Output	5.5 HP/3600 R.P.M	8.0 H.P./3600 R.P.M.	1.5 H.P./1725 RPM
	Fuel Tank Capacity	.951 Gallons (3.6 Liters)	Approx. 1.59 U.S. Gallons (6 Liters)	N/A
	Fuel	Unleaded Gasoline		N/A
	Lube Oil Capacity	2-1/3 pints		N/A
	Speed Control Method	Centrifugal Fly-weight Type		N/A
	Starting Method	Recoil Start		N/A
	<b>Dimensions (L x W x H)</b>	12.2 x 14.2 X 13.8 in. (312 X 362 X 335 mm)	14.0 x 16.9 X 16.1 in. (355 X 430 X 410 mm)	13.3 x 8.7 X 9.06 in. (338 X 220 X 230 mm)
<b>Dry Net Weight</b>	33 lbs. (15 Kg.)	55.1 lbs. (25 Kg.)	Approx. 22 lbs. (10 Kg.)	



In accordance with our established policy of constant improvement, we reserve the right to amend these specifications at any time without notice.

# STOW MS-63 PLASTER/MORTAR MIXER — DIMENSIONS



OPTIONAL TOW BARS  
APPROXIMATE LENGTH  
36 IN. (91.44 CM.)

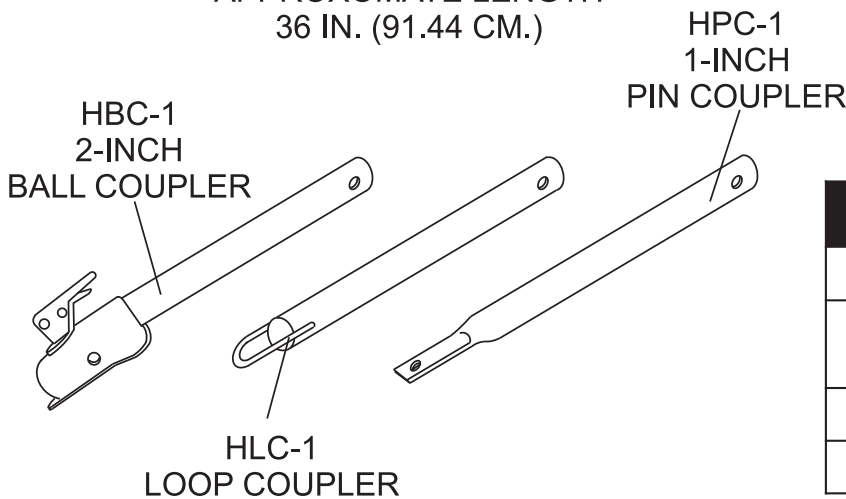


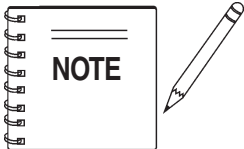
TABLE 3. DIMENSIONS	
Description	Dimensions in. (cm)
Length (w/ Tow Bar)	67 in. (170 cm)
Width	50 in. (127 cm)
Height	56 in. (142 cm)

Figure 1. Dimensions

# STOW MS-63 MIXER — SAFETY MESSAGE ALERT SYMBOLS

## FOR YOUR SAFETY AND THE SAFETY OF OTHERS!

Safety precautions should be followed at all times when operating this equipment. Failure to read and understand the Safety Messages and Operating Instructions could result in injury to yourself and others.



This Owner's Manual has been developed to provide complete instructions for the safe and efficient operation of the **STOW Model MS-63 mortar and plaster** mixer. Refer to the engine manufacturers instructions for data relative to its safe operation.

**Before using this mixer, ensure that the operating individual has read and understands all instructions in this manual.**

## SAFETY MESSAGE ALERT SYMBOLS

The three (3) Safety Messages shown below will inform you about potential hazards that could injure you or others. The Safety Messages specifically address the level of exposure to the operator, and are preceded by one of three words: **DANGER**,

### **DANGER**

You **WILL** be **KILLED** or **SERIOUSLY INJURED** if you **DO NOT** follow these directions.

### **WARNING**

You **CAN** be **KILLED** or **SERIOUSLY INJURED** if you **DO NOT** follow these directions.

### **CAUTION**

You **CAN** be **INJURED** if you **DO NOT** follow these directions.

## HAZARD SYMBOLS

Potential hazards associated with the operation of a **MS-63 Plaster/Mortar Mixer** will be referenced with Hazard Symbols which appear throughout this manual, and will be referenced in conjunction with Safety Message Alert Symbols.

### **WARNING** Lethal Exhaust Gas Hazards

Engine exhaust gases contain poisonous carbon monoxide. This gas is colorless and odorless, and can cause death if inhaled. **NEVER** operate this equipment in a confined area or enclosed structure that does not provide ample free flow air.



### **WARNING** Explosive Fuel Hazards

**Gasoline** is extremely flammable, and its vapors can cause an explosion if ignited. **DO NOT** start the engine near spilled fuel or combustible fluids.



**DO NOT** fill the fuel tank while the engine is running or hot. **DO NOT** overfill tank, since spilled fuel could ignite if it comes into contact with hot engine parts or sparks from the ignition system. Store fuel in approved containers, in well-ventilated areas and away from sparks and flames.

### **WARNING** Burn Hazards

Engine components can generate extreme heat. To prevent burns, **DO NOT** touch these areas while the engine is running or immediately after operations. Never operate the engine with heat shields or heat guards removed.



### **WARNING** Respiratory Hazards

**ALWAYS** wear approved **respiratory** protection when required.





# STOW MS-63 MIXER — SAFETY MESSAGE ALERT SYMBOLS

## CAUTION

### Rotating Parts Hazards

**NEVER** operate equipment with covers, or guards removed. Keep fingers, hands, hair and clothing away from all moving parts to prevent injury.



## CAUTION

### Equipment Damage Hazards

Other important messages are provided throughout this manual to help prevent damage to your light tower, other property, or the surrounding environment.

## CAUTION

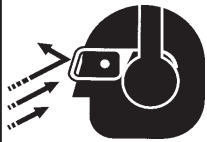
### Accidental Starting Hazards

**ALWAYS** disconnect the electrical power cord from the electric motor when the mixer is not in use and place the **ON/OFF** switch in the **OFF** position.



## CAUTION

### Eye and Hearing Hazards



**ALWAYS** wear approved eye and hearing protection.

# STOW MS-63 PLASTER/MORTAR MIXER — RULES FOR SAFE OPERATION

## **DANGER**

**Read this manual!**

Failure to follow instructions in this manual may lead to serious injury or even death! This equipment is to be operated by trained and qualified personnel only! This equipment is for industrial use only.

The following safety guidelines should always be used when operating the STOW MS-63 mortar and plaster mixer:

### GENERAL SAFETY

■ **DO NOT** operate or service this equipment before reading this entire manual.



■ This equipment should not be operated by persons under 18 years of age.

■ **NEVER** operate this equipment without proper protective clothing, shatterproof glasses, steel-toed boots and other protective devices required by the job.



■ **NEVER** operate this equipment when not feeling well due to fatigue, illness or taking medicine.



■ **NEVER** operate this equipment under the influence of **drugs** or **alcohol**.



■ **ALWAYS** wear proper respiratory (mask), hearing and eye protection equipment when operating the mixer.



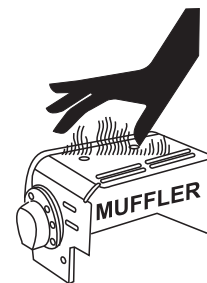
■ **NEVER** place hands inside the drum while the blades are rotating.

■ Whenever necessary, replace nameplate, operation and safety decals when they become difficult read.

■ Manufacture does not assume responsibility for any accident due to equipment modifications.

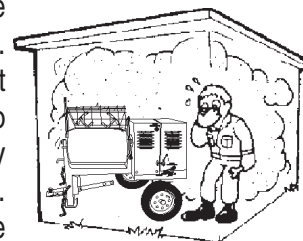
■ **NEVER** use accessories or attachments, which are not recommended by Multiquip for this equipment. Damage to the equipment and/or injury to user may result.

■ **NEVER** touch the hot exhaust manifold, muffler or cylinder. Allow these parts to cool before servicing engine or mixer.



■ **High Temperatures** – Allow the engine to cool before adding fuel or performing service and maintenance functions. Contact with **hot!** components can cause serious burns.

■ The engine section of this mixer requires an adequate free flow of cooling air. **NEVER** operate the mixer in any enclosed or narrow area where free flow of the air is restricted. If the air flow is restricted it will cause serious damage to the mixer or engine and may cause injury to people. Remember the mixer's engine gives off **DEADLY** carbon monoxide gas.



■ **ALWAYS** refuel in a well-ventilated area, away from sparks and open flames.

■ **ALWAYS** use extreme caution when working with **flammable** liquids. When refueling, **stop the engine** and allow it to cool. **DO NOT smoke** around or near the machine. Fire or explosion could result from fuel vapors, or if fuel is spilled on a hot engine.



■ **NEVER** operate the mixer in an explosive atmosphere or near combustible materials. An explosion or fire could result causing severe **bodily harm or even death**.



■ Topping-off to filler port is dangerous, as it tends to spill fuel.

■ Stop the engine when leaving the mixer unattended.

■ Block the unit when leaving or when using on a slope.

■ Maintain this equipment in a safe operating condition at all times.

## **WARNING**

**Starting the Mixer Engine**

**NEVER!** start the engine or engage the paddle arms when the drum is in the discharge (down) position.

# STOW MS-63 PLASTER/MORTAR MIXER — RULES FOR SAFE OPERATION

- **ALWAYS** stop the engine before servicing, adding fuel and oil.
- **NEVER** run engine without air filter. Severe engine may occur.
- **ALWAYS** service air cleaner frequently to prevent carburetor malfunction.
- **ALWAYS** check the machine for loosened threads or bolts before starting.
- **ALWAYS** be sure the operator is familiar with proper safety precautions and operations techniques before using mixer.
- **ALWAYS** store equipment properly when it is not being used. Equipment should be stored in a clean, dry location out of the reach of children.
- **DO NOT** operate this equipment unless all guards and safety devices are attached and in place.
- **CAUTION** must be exercised while servicing this equipment. Rotating and moving parts can cause injury if contacted.
- When towing, an adequate safety chain must be fastened to the frame. See Towing Guidelines section in this manual.
- Keep all ***inexperienced*** and ***unauthorized*** people away from the equipment at all times.
- Unauthorized equipment modifications will void all warranties.
- Check all fasteners periodically for tightness. Also check towing tongue bolt, lock nut and wheel lug nuts for wear.
- Stop the engine and disconnect the spark plug before allowing anybody's hands in the mixing drum.
- **NEVER** pour or spray water over the engine or electric motor.

	<b>WARNING</b>	<b>Stand Clear of the Mixer when in use</b>
Always stand clear of the dump handle when the mixer is in operation. Any binding of material between the mixer blades and the drum will cause the drum handle to quickly move and could cause bodily harm.		

- Depending on type of mixer, test the ***ON/OFF*** switch for either the gasoline engine or electric motor before operating. The purpose of these switches is to shut down the engine or motor of the mixer.
- Refer to the ***HONDA Engine Owner's Manual*** for engine technical questions or information recommended by Multiquip for this equipment. Damage to the equipment and/or injury to user may result.

## TRANSPORTING

- **ALWAYS** shutdown engine before transporting.
- Tighten fuel tank cap securely and close fuel cock to prevent fuel from spilling.
- Drain fuel when transporting mixer over long distances or bad roads.

## MAINTENANCE

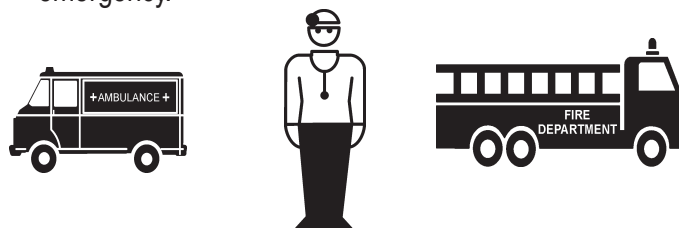
- **NEVER** lubricate components or attempt service on a running mixer.
- **ALWAYS** allow the mixer a proper amount of time to cool before servicing.
- Keep the mixer in proper running condition.
- Fix damage to the mixer immediately and always replace broken parts.
- Dispose of hazardous waste properly. Examples of potentially hazardous waste are used motor oil, fuel and fuel filters.
- **DO NOT** use food or plastic containers to dispose of hazardous waste.

## EMERGENCIES

- **ALWAYS** know the location of the nearest ***fire extinguisher*** and ***first aid kit***.



- In emergencies ***always*** know the location of the nearest phone or ***keep a phone on the job site***. Also know the phone numbers of the nearest ***ambulance, doctor*** and ***fire department***. This information will be invaluable in the case of an emergency.



# STOW MS-63 PLASTER/MORTAR MIXER — TOWING GUIDELINES

## Towing Safety Precautions

### CAUTION

#### Regularly Inspect Towing Components

To reduce the possibility of an accident while transporting the mixer on public roads, always make sure that the mixer towing components and the towing vehicle are in good operating condition and both units are mechanically sound.

The following list of suggestions should be used when towing the mixer:

- Check with your county or state safety towing regulations department before towing your *mixer*.
- Make sure that the hitch and coupling of the towing vehicle are rated equal to, or greater than the trailer "gross vehicle weight rating" (GVWR).
- **ALWAYS** inspect the hitch and coupling for wear. **NEVER** tow the mixer with defective hitches, couplings, chains etc.
- **CHECK** the tire air pressure on both the towing vehicle and the trailer. Also check the tire tread wear on both vehicles.
- **ALWAYS** make sure the mixer is equipped with a "Safety Chain".
- **ALWAYS** attach trailer's safety chain to the frame of towing vehicle.
- **ALWAYS** make sure that the towing vehicle's directional, backup, and brake lights are working properly.
- Remember in most cases the maximum speed unless otherwise posted for highway towing is **55 MPH**, however before towing your mixer, check your local state, and county vehicle towing requirements. Recommended off-road towing is not to exceed **10** or **15 MPH** or less depending on type of terrain.
- Place *chocked blocks* underneath wheels to prevent **rolling**, while parked, if disconnected from towing vehicle.
- Inflate tires to correct pressure, inspect tires for cuts, and excessive wear. See Table 9 (Tire Wear Troubleshooting).
- When towing of the mixer is required, place the drum in the up position (mouth facing upwards) and lock the drum latch.

- **ALWAYS** make sure that the fuel valve lever is in the **OFF** position (gasoline models only).
- Check wheel mounting lug nuts with a **torque wrench**. Torque wheel lug nuts as described in the maintenance section of this manual.
- Check tightness of U-clamp nuts, torque suspension hardware as referenced in the maintenance section of this manual.
- Avoid sudden stops and starts. This can cause skidding, or jackknifing. Smooth, gradual starts and stops will improve gas mileage.
- Avoid sharp turns to prevent rolling.

## Tow Bar to Vehicle Connection (Coupler Only)

1. Check the vehicle hitch ball, and mixer's coupler for signs of wear or damage. Replace any parts that are worn or damaged before towing.

### CAUTION

#### Replacing Towing Components

If the mixer tow bar is deformed or damaged, replace the **entire** tow bar. **NEVER** tow the mixer with a defective tow bar. There exists the possibility of the mixer separating from the towing vehicle.

2. Use only a 2-inch ball diameter (towing vehicle), this will match the mixer's 2-inch coupler. Use of any other ball diameter will create an extremely dangerous condition which can result in separation of the coupler and ball or ball failure.
3. After tow bar has been connected to mixer (see next page), attach mixer's coupler to the hitch ball on the towing vehicle securely and make sure the lock lever is in the down position (locked).

## Mixer Tow Bar Vehicle Connection (Pintle and Loop)

1. Make sure the bumper on the towing vehicle is equipped to handle either a pintle or loop type tow bar configuration.
2. After tow bar has been connected to mixer (see next page), secure either type of tow bar to the towing vehicle, following state and county towing regulations.
3. As a minimum, use a 1/2-inch bolt and nylock nut grade 5 when securing the tow bar to the towing vehicle and to the unit being towed.

# STOW MS-63 PLASTER/MORTAR MIXER — SAFETY CHAIN CONNECTION

## **CAUTION**

### Always Tow with a Safety Chain

**NEVER!** tow the mixer with the safety chain removed. The safety chain is intended to prevent complete separation of the mixer from the towing vehicle in the event of a tow bar failure.

Reference Figure 2 for the installation of the *safety chain*.

### Tow Bar to Mixer Connection

1. Insert the tow bar through the round opening at the bottom of the mixer stand.

Align the hole on the tow bar with the hole on the mixer frame, and insert 1/2-inch bolt through tow bar and frame. Secure tow bar to frame with 1/2-inch nylock nut. Tighten to 40 ft.-lbs.

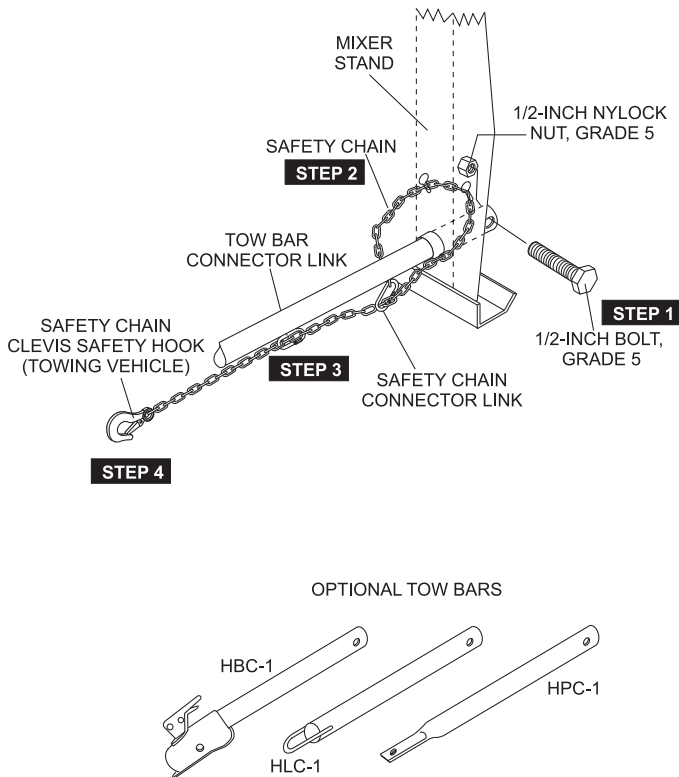


Figure 2. Tow Bar and Safety Chain Installation

2. Route the safety chain through the holes just above the tow bar, located on each side of the mixer stand. Loop the chain together and place under the tow bar. Secure the loop with the connector link.
3. extend the safety chain along the length of the tow bar, looping it through the tow bar's connector link. Remove any excess chain slack.
4. Connect the free end of (clevis safety hook) the safety chain to the towing vehicle. Remember it is critical that the length of the chain be properly adjusted, to prevent the *draw bar* and the front of the mixer stand from dropping to the the ground (contact) in the event the draw bar becomes disconnected from the towing vehicle.

## **CAUTION**

### Drum Safety when Towing

**DO NOT** tow the mixer unless the mixing drum is *completely empty*. **ALWAYS** make sure the drum latch pin is fully engaged to the *right* (Figure 3) of the drum stop block. This will keep the drum from rotating.

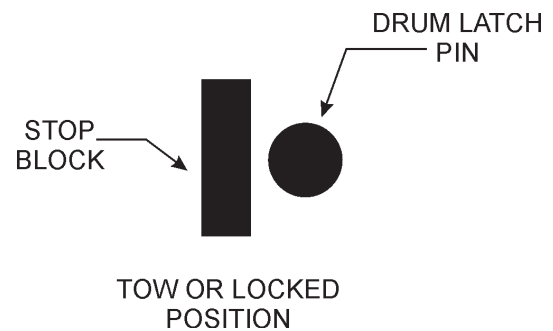


Figure 3. Drum Latch Pin (Tow or Locked Position)



# MS-63 PLASTER/MORTAR MIXER — OPERATION AND SAFETY DECALS

## Machine Safety Decals

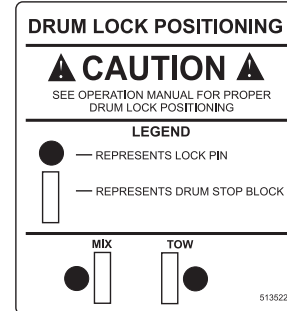
The STOW MS-63 mortar and plaster mixer is equipped with a number of safety decals. These decals are provided for operator safety and maintenance information. Figure 4 below illustrates these decals as they appear on the machine. Should any of these decals become unreadable, replacements can be obtained from your dealer.



P/N: 35137



CONTACT MQ PARTS  
DEPARTMENT



P/N 513522



P/N: 504713



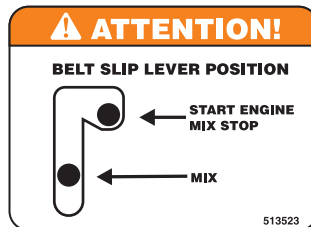
P/N: DCL335



P/N 513479



P/N: CIPDCL160



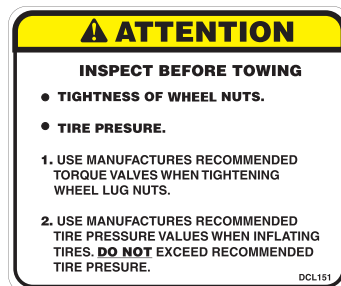
P/N: 513523



P/N: EM948630



P/N: 13118



P/N DCL151



P/N: DCL280

Figure 4. Mixer Operation and Safety Decals

# STOW MS-63 PLASTER/MORTAR MIXER — GENERAL INFORMATION

## Application

The STOW MS-63 series mixers (drum capacity of 7.0 cu. ft./198 liters) are shipped completely assembled and have been factory tested and are ready for use.

This mixer is **only** intended for the production of **plaster** and **mortar**. The mixer must be used for its intended purpose and is not suitable for the mixing of **flammable** or **explosive** substances. The mixer **must not be used** in an explosive atmosphere. This mixer has a batch capacity between 2-1/2 and 3-1/2 bags.

## Power Plants

The STOW **plaster** and **mortar** mixer can be powered by either a Honda GX240K1HA2 or GX160K1QMX2HX2 air-cooled, 4-stroke gasoline engine or a 1.5 HP electric motor. Refer to Table 2 for specific engine or electric motor data information.

## Electrical

If mixer is equipped with an **electric motor**, make sure that the power being supplied to the motor corresponds to the voltage rating label on the motor. Supplying the wrong voltage to the electric motor will cause severe electrical damage to the motor.

Always make sure the **OFF/ON** switch on the electric motor is in the **OFF** position before applying power.

It is **strongly recommended** when inserting the mixer's power cord into a receptacle, that a G.F.C.I. (**Ground Fault Current Interrupter**) receptacle be used (115 VAC applications).

## Extension Cables

The extension cable should be a 3-wire configuration that includes a ground wire that conforms to UL code. The wire cross section must be a minimum of 2.5 mm<sup>2</sup>. Choose an extension cord of adequate current carrying capacity as referenced in Table 6. Remember **cable distance** affects the current-voltage capacity of the extension cable.

Ensure that the extension cable is carefully laid out avoiding **wet areas**, **sharp edges** and locations where vehicles might run over it. Avoid allowing the extension cable to be trapped underneath the mixer.

Unroll the extension cable fully or it will overheat and could catch fire. Make sure that all extension cable connections are dry and safe. Replace any defective or badly worn extension cable immediately.

## Hardware

Check all hardware on the mixer before starting. Periodically inspect all hardware. Loose hardware can contribute to early component failure and poor performance. Use Table 4 as general guideline when torqueing of mixer hardware is required. Remember to keep all mixer hardware components tight.

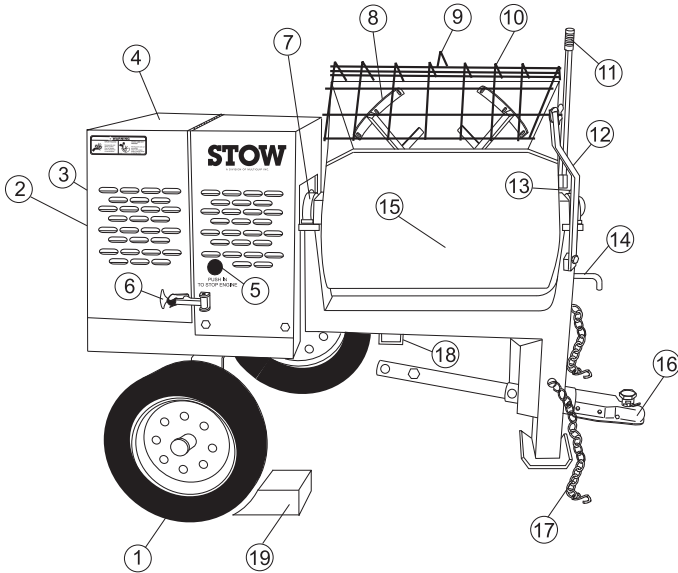
Table 4. Hardware Torque Recommendations

Hardware Diameter	Torque (ft-lbs)
5/16-inch x 18	14
3/8-inch x 16	24
3/8-inch x 24	37
1/2-inch x 13	39
1/2-inch x 13 (Grade 8)	90

## Engine Maintenance

For basic engine maintenance, refer to the engine maintenance section in this manual. For a more detailed engine maintenance, refer to the **Honda** Engine Owner's manual furnished with the engine.

# STOW MS-63 PLASTER/MORTAR MIXER — BASIC MIXER COMPONENTS



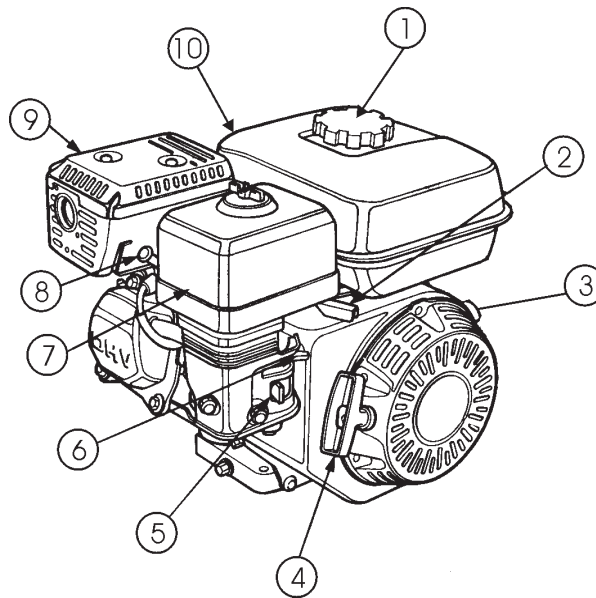
**Figure 5. Mixer Components**

Figure 5 illustrates the basic components and controls of the STOW MS-63 mixer

- Tires Ply** — The tire ply (layers) number is rated in letters; This mixer uses 13-inch 4-ply tires.
- Engine Cover** — Lift this cover to gain access to the engine compartment.
- Belt Slip Lever** — When starting this lever should be move upward and to the left. For mixing place the lever in the down position. See attached decal located adjacent to lever.
- ON/OFF Switch (electric)** — This switch is provided on mixers with electric motors. To gain access to this switch, lift the engine cover. When activated it will shut down the electric motor.
- ON/OFF Switch (gasoline)** — This switch is provided on mixers with *gasoline* engines only and is located on the side of the engine cover. When activated it will shut down the engine.
- Latch** — Use this latch to secure the engine compartment cabinet.
- Drum Bearing** — There is on each end of the mixing drum, a sealed bearing. Bearings are packed and sealed at the factory and require no further maintenance.
- Mixing Paddles** — Used in the mixing of material. This unit uses four different types of paddles to provide a fast uniform mix.
- Bag Cutter** — This feature allows compound mixing bags to be opened easily, therefore allowing the contents of the bag to fall directly into the mixing drum.
- Safety Grill** — Provided for operator safety. This safety grill is designed to keep hands and solid objects out of the mixing drum when in use. This grill should be closed at all times when mixer is in use. **DO NOT** remove the grill or grill opening bar. Keep the grill clean by washing it down daily.
- Dump Handle** — Pull this handle downward to dump the contents of the drum. Push the handle upward to return the drum to its vertical position.
- Safety Grill Lock Handle** — To prevent injury to hands and arms, the safety grill should **ALWAYS** be locked when the mixing of plaster or mortar is required. Also when transporting the mixer the safety grill should be locked. The safety grill should only be un-locked when cleaning of the blades and drum is required.
- Pivot Point/Zerk Fitting** — There is, on each end of the mixing drum a zerk grease fitting. These fittings lubricate the dumping mechanism. Lubricate both fittings at least twice a week.
- Dump Handle Release Pin** — Pull this pin outward (spring loaded) to release the drum, then pull down on the dump handle to place the drum in the dump position. When drum is in dump position, pin will automatically lock drum.
- Steel Mixing Drum** — Mixing materials such as mortar, plaster are to be placed into this drum for mixing. Always clean the drum after each use.
- Tow Bar/Coupler** — This mixer uses a 2-inch coupler or pintle towbar.
- Safety Chain** — This mixer uses a 3/16-inch thick, 72-inches long zinc-plated safety chain. **ALWAYS** connect the safety chain when towing.
- Forklift Pockets** — When lifting of the mixer is required, use these fork lift pockets to lift the mixer. Remember to insert the forks of the forklift a minimum of 24 inches into the lift pockets.
- Chock Blocks** — Place these blocks (not included as part of the mixer package) under each mixer wheel to prevent rolling.



# STOW MS-63 PLASTER/MORTAR MIXER — BASIC ENGINE COMPONENTS




**Figure 6. Engine Controls and Components**

## INITIAL SERVICING

The engine (Figure 6) must be checked for proper lubrication and filled with fuel prior to operation. Refer to the manufacturers Engine manual for instructions & details of operation and servicing.


1. **Fuel Filler Cap** – Remove this cap to add unleaded gasoline to the fuel tank. Make sure cap is tightened securely. **DO NOT** over fill.

5. **Fuel Valve Lever** – **OPEN** to let fuel flow, **CLOSE** to stop the flow of fuel.
6. **Choke Lever** – Used in the starting of a cold engine, or in cold weather conditions. The choke enriches the fuel mixture.
7. **Air Cleaner** – Prevents dirt and other debris from entering the fuel system. Remove wing-nut on top of air filter cannister to gain access to filter element.

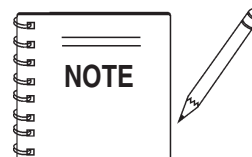


**DANGER**

**Explosive Fuel Hazard**




Adding fuel to the tank should be done only when the engine is stopped and has had an opportunity to cool down. In the event of a fuel spill, **DO NOT** attempt to start the engine until the fuel residue has been completely wiped up, and the area surrounding the engine is dry.




Operating the engine without an air filter, with a damaged air filter, or a filter in need of replacement will allow dirt to enter the engine, causing rapid engine wear.

2. **Throttle Lever** – Used to adjust engine RPM speed (lever advanced forward **SLOW**, lever back toward operator **FAST**).
3. **Engine ON/OFF Switch** – **ON** position permits engine starting, **OFF** position stops engine operations.
4. **Recoil Starter (pull rope)** – Manual-starting method. Pull the starter grip until resistance is felt, then pull briskly and smoothly.



**WARNING**

**Burn Hazard**



Engine components can generate extreme heat. To prevent burns, **DO NOT** touch these areas while the engine is running or immediately after operating. **NEVER** operate the engine with the muffler removed.

8. **Spark Plug** – Provides spark to the ignition system. Set spark plug gap to 0.6 - 0.7 mm (0.028 - 0.031 inch) Clean spark plug once a week.
9. **Muffler** – Used to reduce noise and emissions.
10. **Fuel Tank** – Holds unleaded gasoline. For additional information refer to engine owner's manual.

# STOW MS-63 PLASTER/MORTAR MIXER — ELECTRIC MOTOR

## Electric Motor

For maintenance care and operation of the electric motor, refer to your electric motor instruction booklet furnished with the motor.

Protect the electric motor from dust as much as possible and keep ventilating openings clean.

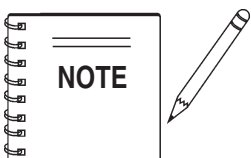
<b>! CAUTION</b>	<b>Electric Motor Safety</b>
	<p><b>DO NOT</b> spray water at any time on the <b>electric motor</b>.</p> <p><b>DO NOT</b> operate electric motor in a explosive environment.</p>

The electric motor used in this mixer is a single-phase 3 HP motor. The input voltage requirement for this motor is 115/230 VAC, and has been pre-set to 230VAC.

## Electric Motor Connection

A 12-inch electrical cable (Figure 7) is provided with the electrical motor for hookup to a power source. Table 5 shows the required NEMA connector for the desired motor horsepower rating. In addition, Table 5 also shows the matching NEMA approved connector for the required extension cord.

<b>! CAUTION</b>	<b>Electric Motor Connections</b>
	<p><b>ALWAYS</b> make certain that the power source required for the electric motor is <b>correct</b> and always use the correct NEMA configuration plug. <b>Failure</b> to supply the correct voltage to the motor can severely damage the motor.</p>



It is strongly recommended that all electrical wiring be done by a **licensed electrician**.

Special attention should be given to the electric switch as well as the over-and-under voltage protection devices as per regulations set forth in the local electrical safety code handbook

TABLE 5. ELECTRIC MOTOR WIRING INFORMATION

Motor Horsepower Rating	115-230 VAC - Single Phase	
	NEMA Plug Connector	Mating NEMA Receptacle Connector
1.5 HP (115 VAC)	L5-20P P/N EM940537	L5-20R P/N EM940538
1.5 HP (230 VAC)	L6-20P P/N 940539	L6-20R P/N 940540

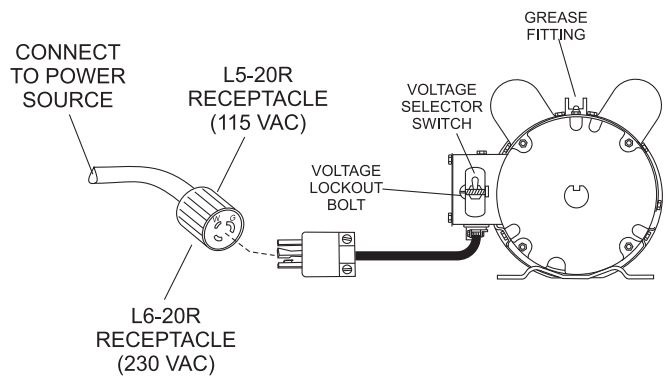
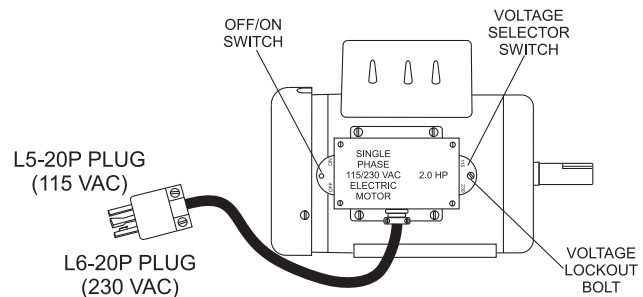


Figure 7. Single Phase Electric Motor With 12-inch Pigtail

# STOW MS-63 PLASTER/MORTAR MIXER — ELECTRIC MOTOR

The motor supplied is wired for 115 VAC grounded operation. Make certain that the correct size grounded (3-wires) extension cord is used. See Table 6.

Motors can burn out when the line voltage falls 10% below the voltage rating of the motor. Failure to use proper voltage will cause the motor to overheat and actuate the overload switch.

If overload protection should actuate because of improper voltage or any other malfunction, turn the main switch on the motor to the "OFF" position and correct the problem, press the reset switch button, and turn the main switch to the "ON" position.

Model	Motor	Voltage	50 ft. (15.24 m)	75 ft. (22.86 m)	100 ft. (30.48 m)	200 ft. (60.96 m)
MS-63 (Electric)	1.5 HP	115	No. 12	No. 10	No. 8	No. 6
		230	No. 14	No. 12	No. 12	No. 8

## Electric Motor Voltage Switch

1. **ALWAYS** make certain the motor switch is "OFF" and the power cord has been disconnected from the power source.
2. Remove the voltage lock-out bolt (Figure 7). Change the position of the **voltage change toggle switch** from 115 VAC to 230 VAC. The mixer is factory wired for 115 VAC operation.
3. Replace the voltage lock-out bolt.
4. **Important!**, when changing the input voltage to the motor from 115 to 230 VAC, the **plug** on the motor power cord must also be changed. See Table 5.

# STOW MS-63 — PADDLE BLADE ADJUSTMENT (STEEL DRUM)

Adjust paddles as shown in Figure 8.

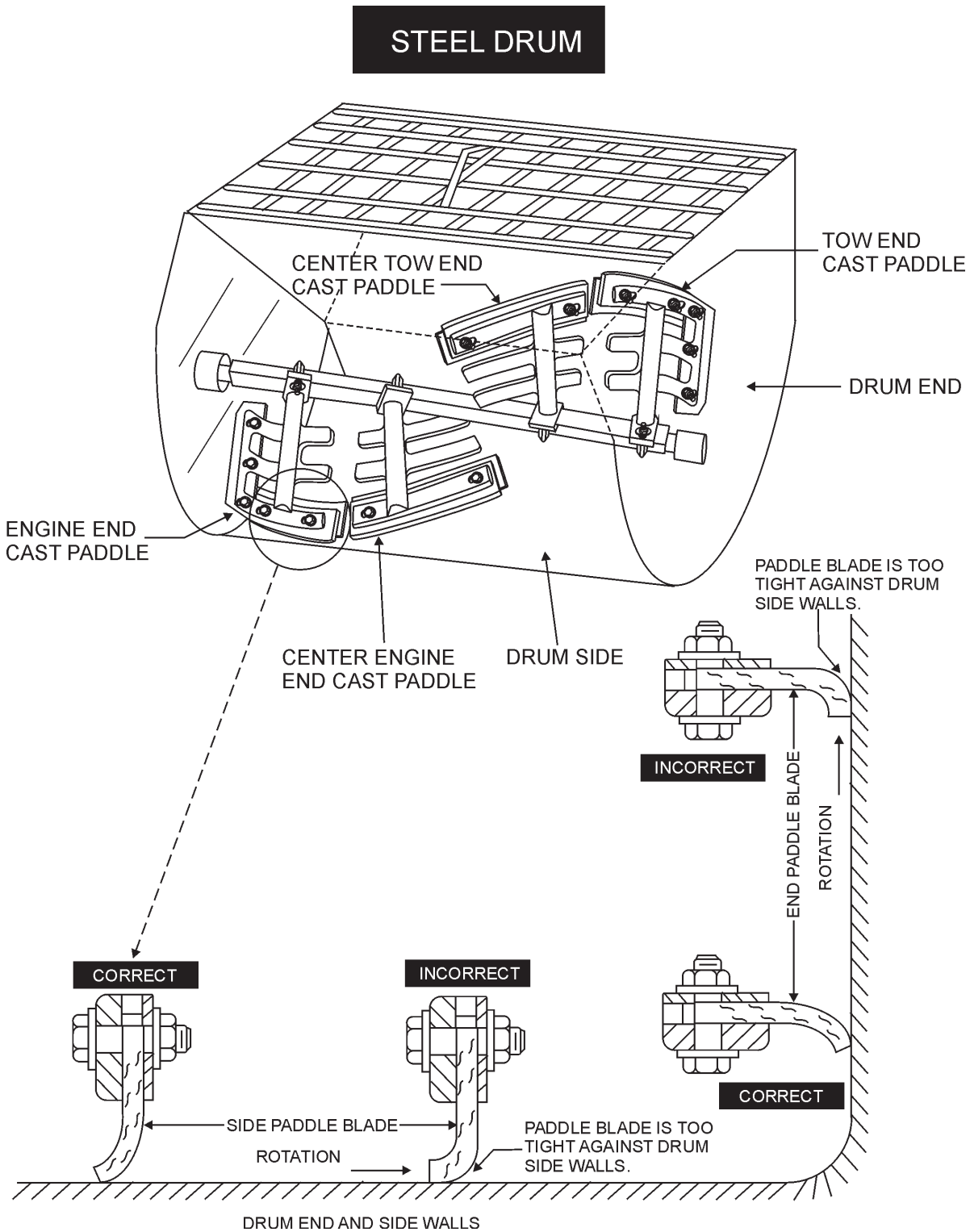


Figure 8. Paddle Blade Adjustment, Steel Drum

# STOW MS-63 PLASTER/MORTAR MIXER — INSPECTION

## Before Starting

1. Read **all safety instructions** at the beginning of manual.
2. Clean the **mixer**, removing dirt and dust, particularly the engine cooling air inlet, carburetor and air cleaner.
3. Check the air filter for dirt and dust. If air filter is dirty, replace air filter with a new one as required.
4. Check carburetor for external dirt and dust. Clean with dry compressed air.
5. Check fastening nuts and bolts for tightness.

3. Insert and remove the dipstick without screwing it into the filler neck. Check the oil level shown on the dipstick.
4. If the oil level is low (Figure 10), fill to the edge of the oil filler hole with the recommended oil type (Table 7). Maximum oil capacity is 2.33 qts. (1.09 liters)




**CAUTION**

**Eyesight and Hearing Protection**

**ALWAYS** wear approved eye and hearing protection before operating the mixer.




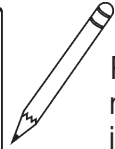
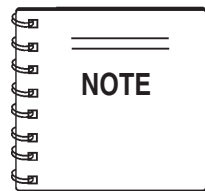


**CAUTION**

**Inspection & Maintenance Safety**

**NEVER** place hands or feet inside the engine guard cover while the engine is running. **ALWAYS** shut the engine down before performing any kind of maintenance service on the mixer.





Reference manufacturer engine manual for specific servicing instructions.

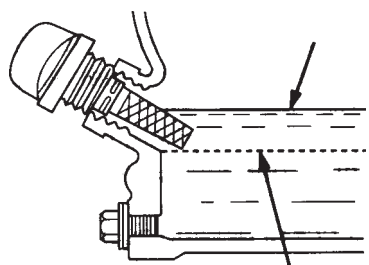


Figure 10. Engine Oil Dipstick (Oil Level)

## Engine Oil Check

1. To check the engine oil level, place the mixer on secure level ground with the engine stopped.
2. Remove the filler dipstick from the engine oil filler hole (Figure 9) and wipe it clean.

Table 7. Oil Type		
Season	Temperature	Oil Type
Summer	25°C or Higher	SAE 10W-30
Spring/Fall	25°C~10°C	SAE 10W-30/20
Winter	0°C or Lower	SAE 10W-10

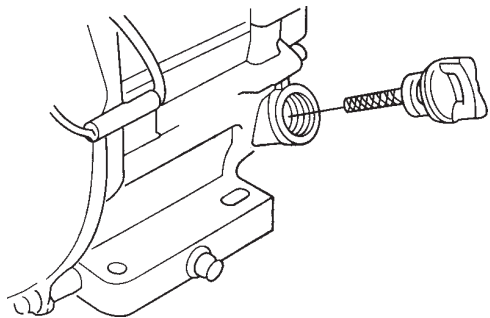

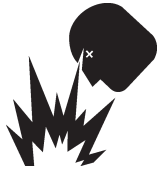


Figure 9. Engine Oil Dipstick (Removal)

# STOW MS-63 PLASTER/MORTAR MIXER — INSPECTION

## Fuel Check

 <b>DANGER</b>	<b>Explosive Fuel Hazard</b>
<p>If your mixer has a gasoline engine, determine if the engine fuel is low. If fuel is low, remove the fuel filler cap and fill with <b>unleaded</b> gasoline. Motor fuels are highly flammable and can be dangerous if mishandled. <b>DO NOT</b> smoke while refueling. <b>DO NOT</b> attempt to refuel the mixer if the engine is <b>hot!</b> or <b>running</b>.</p>	
	

1. Remove the gasoline cap located on top of fuel tank.
2. Visually inspect to see if fuel level is low. If fuel is low, replenish with unleaded fuel.
3. When refueling, be sure to use a strainer for filtration. **DO NOT** top-off fuel. Wipe up any spilled fuel.

 <b>CAUTION</b>	<b>Start/Stop Switch</b>
<p><b>NEVER!</b> <i>disable or disconnect the <b>start/stop switch</b>. It is provided for operator safety. Injury may result if it is disable, disconnected or improperly maintained.</i></p>	

## V-belt Check

A worn or damaged V-belt can adversely affect the performance of the mixer. If a V-belt is defective or worn simply replace the V-belt as outlined in the maintenance section of this manual.

## Blade Check

Check for worn or paddle blades. Make sure that all blades are adjusted properly. See blade adjustment procedure in this manual. Replace all defective or damaged blades immediately.

## Controls

### Start/Stop Switches

This mixer has been equipped with a start/stop switch for both the gasoline and electric motor mixers. These switches should be tested every time the engine or electric motor is started.

### Grease Fittings (Dumping Mechanism)

Check the zerk grease fittings at each end of the mixing drum. These grease fittings lubricate the dumping mechanism. If the dumping handle is stiff or hard to move lubricate these fittings.

# STOW MS-63 PLASTER/MORTAR MIXER — START-UP PROCEDURES

This section is intended to assist the operator with the initial start-up of the STOW MS-63H (gasoline engine) or STOW MS-63E (electric motor) mixer. It is extremely important that this section be read carefully before attempting to use the mixer in the field.



**DO NOT** use your mixer until this section is thoroughly understood.

## **! WARNING**

### General Safety

Failure to understand the operation of the STOW MS-63 series mixers could result in **severe damage** to the mixer or **personal injury**.

See Figures 5 and 6 for the location of any control referenced in this manual.

## **! CAUTION**

### Respiratory Hazard



**NEVER** operate the mixer in a confined area or enclosed area structure that does not provide ample **free flow of air**.

### Starting (gasoline only)

The following steps outline the procedure for starting the engine. Depending on the type of engine employed in the mixer the steps may vary slightly. If your mixer has an electric motor disregard this section.

1. Move the fuel shut-off lever (Figure 11) to the **ON** position.

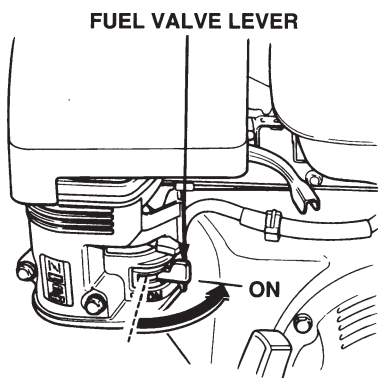


Figure 11. Fuel Shut-OFF Lever

2. To start a cold engine, move the choke lever (Figure 12) to the **CLOSED** position.

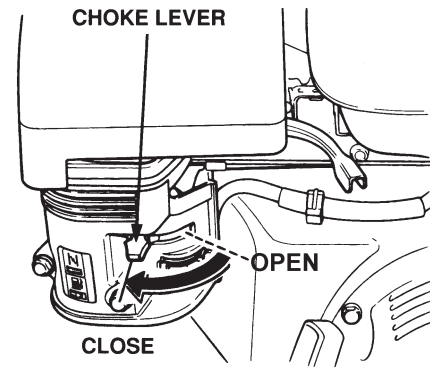


Figure 12. Choke Lever

3. Move the throttle lever (Figure 13) away from the slow position, about 1/3 of the way toward the fast position.

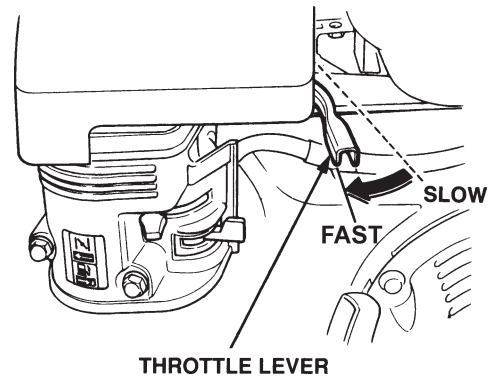


Figure 13. Throttle Lever



# MS-63 PLASTER/MORTAR MIXER — START-UP PROCEDURES

- Turn the engine switch (Figure 14) to the **ON** position.

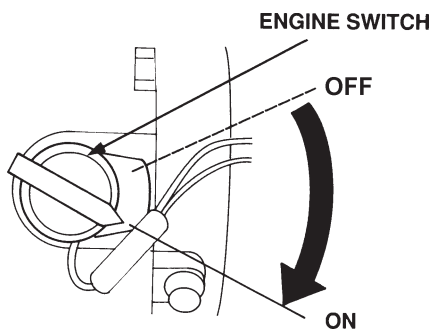


Figure 14. Engine ON/OFF Switch

- The main **start/stop** switch located on the engine cover is (Figure 15) is used to start and stop the engine. Pull this switch outward to start the engine.

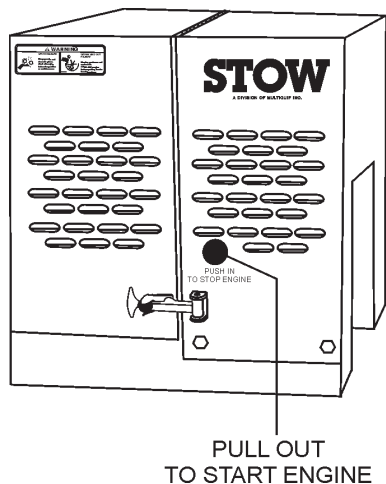


Figure 15. Start/Stop Switch (gasoline engine)

- Place the **belt slip lever** (Figure 16) in the **START/STOP** (disengaged) position.

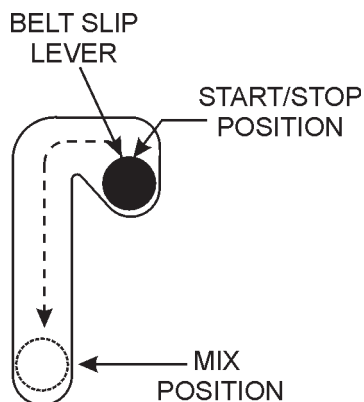


Figure 16. Belt Slip Lever (Start/Stop Position)

**CAUTION** Preventing Drum Tipping

Make certain the **drum lock pin** (Figures 17 and 18) is placed to the **RIGHT** (when viewing the mixer from the tow-pole end) of the drum stop block which is welded to the front side of the drum. Also make sure lock pin is fully engaged (locked). This will prevent the drum from tipping.

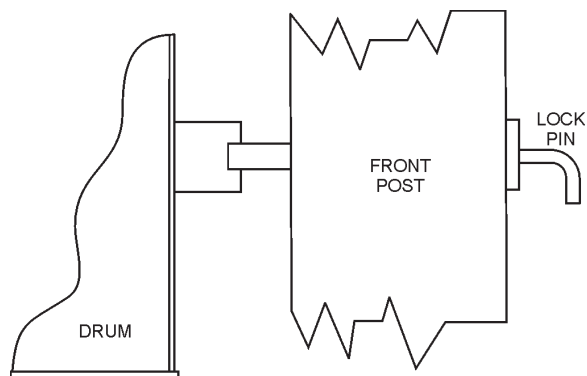


Figure 17. Drum Lock Pin (Side-View)

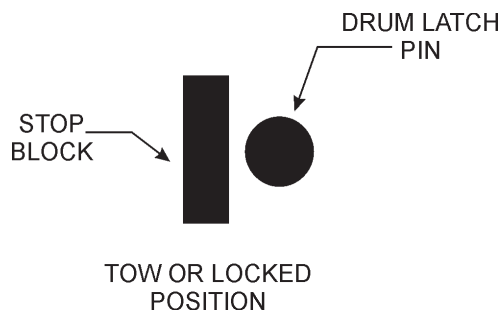


Figure 18. Drum Lock Pin (Right Position)

- Pull the **starter grip** (Figure 19) lightly until you feel resistance, then pull briskly. Return the starter grip gently.

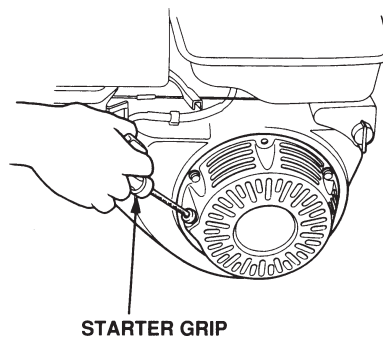


Figure 19. Starter Grip



# STOW MS-63 PLASTER/MORTAR MIXER — OPERATION/SHUT-DOWN

- Place the belt slip lever (Figure 20) in the *mix* position. This will tilt the engine placing tension on the V-belts enabling the shaft to rotate.

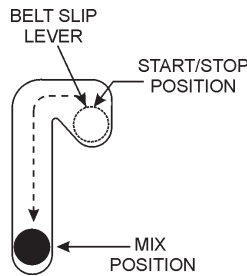


Figure 20. Belt Slip Lever (Mix Position)

## Starting (electric only)

- Using an adequate size extension cord (see Table 5), connect one end of the extension cord to the plug on the electric motor, connect the other end to the power source. Make sure the motor is configured for the proper operating voltage.
- Set the electric motor's **ON/OFF** switch (Figure 7) to the **ON** position.

## Mixing Dumping

- The paddle shaft inside the drum should be rotating at this time.
- Add a small amount water to the mixing drum.
- Lift the mixing bag compound onto the steel safety grate over the bag cutter and let the contents fall into the drum. Add more water if desired and mix compound to desired consistency.
- When charging, mixing, or dumping a batch of plaster or mortar the **drum lock pin** should be placed to the **left** (when viewing the mixer from the towpole end) of the drum stop block which is welded to the front side of the drum. See Figure 21.

This will allow the operator to use both hands on the drum handle during dumping. Please note that when the lock pin is placed to the left, the drum will be maintained in the vertical position as the paddles rotate. To discharge the material the operator should hold the dump handle with **both hands** and rotate the drum to discharge the desired amount of material.

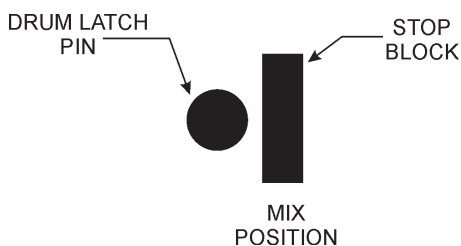


Figure 21. Drum Lock Pin (Left Position)

**WARNING**

**Dump Handle Safety**

Be sure to stand clear of the **dump handle** (Figure 22) when the mixer is operational. Any binding of material between the mixer blades and the drum will cause the drum handle to move to the discharge position and could cause bodily harm.



Figure 22. Stand Clear of Dump Handle

## STOPPING THE MIXER (gasoline engine)

- Place the **belt slip lever** in the **start/stop** position (Figure 20).
- Push the main **start/stop** switch (Figure 15) inward to stop the engine.
- Turn the fuel shut-off valve to the **OFF** position.
- Disconnect the spark plug.
- Clean mixer as referenced in the maintenance section of this manual.

## STOPPING THE MIXER (electric motor)

- Place the electric motor's **ON/OFF** switch (Figure 4) in the **OFF** position.
- Disconnect the electric motor's extension cord from its power source.
- Clean mixer as referenced in the maintenance section of this manual.

# STOW MS-63 PLASTER/MORTAR MIXER — MAINTENANCE (ENGINE)

Use Table 8 as a general maintenance guideline when servicing your engine. For more detail engine maintenance information, refer to the engine owner's manual supplied with your engine.

**Table 8. Engine Maintenance Schedule**

DESCRIPTION (3)	OPERATION	BEFORE	FIRST MONTH OR 10 HRS.	EVERY 3 MONTHS OR 25 HRS.	EVERY 6 MONTHS OR 50 HRS.	EVERY YEAR OR 100 HRS.	EVERY 2 YEARS OR 200 HRS.
Engine Oil	CHECK	X					
	CHANGE		X				
Air Cleaner	CHECK	X					
	CHANGE			X (1)			
All Nuts & Bolts	Re-tighten If Necessary	X					
Spark Plug	CHECK-CLEAN				X		
	REPLACE						X
Cooling Fins	CHECK				X		
Spark Arrester	CLEAN					X	
Fuel Tank	CLEAN					X	
Fuel Filter	CHECK					X	
Idle Speed	CHECK-ADJUST					X (2)	
Valve Clearance	CHECK-ADJUST						X (2)
Fuel lines	CHECK	Every 2 years (replace if necessary) (2)					

(1) Service more frequently when used in **DUSTY** areas.

(2) These items should be serviced by your service dealer, unless you have the proper tools and are mechanically proficient. Refer to the HONDA Shop Manual for service procedures.

(3) For commercial use, log hours of operation to determine proper maintenance intervals.

# STOW MS-63 PLASTER/MORTAR MIXER — MAINTENANCE (ENGINE)

## Maintenance

Perform the scheduled maintenance procedures as defined by Table 8 and below:

### DAILY

- Thoroughly remove dirt and oil from the engine and control area. Clean or replace the air cleaner elements as necessary. Check and retighten all fasteners as necessary. Check the gearbox for oil leaks. Repair or replace as needed.

### WEEKLY

- Remove the fuel filter cap and clean the inside of the fuel tank.
- Remove or clean the filter at the bottom of the tank.
- Remove and clean the spark plug (Figure 23), then adjust the spark gap to 0.024 ~0.028 inch (0.6~0.7 mm). This unit has electronic ignition, which requires no adjustments.

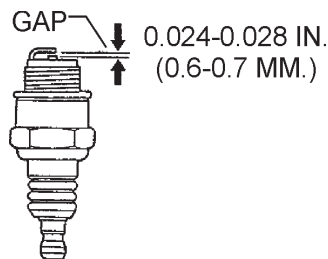


Figure 23. Spark Plug Gap

## ENGINE OIL

- Drain the engine oil when the oil is **warm** as shown in Figure 24.
- Remove the oil drain bolt and sealing washer and allow the oil to drain into a suitable container.
- Replace engine oil with recommended type oil as listed in Table 7. For engine oil capacity, see Table 2 (engine specifications). **DO NOT** overfill.
- Install drain bolt with sealing washer and tighten securely.

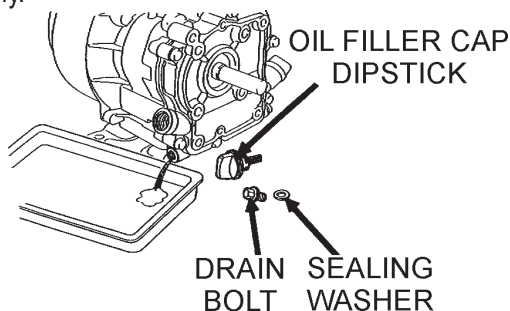


Figure 24. Engine Oil (Draining)

## ENGINE AIR CLEANER

- Remove the air cleaner cover and foam filter element as shown in Figure 25.
- Tap the paper filter element (Figure 25) several times on a hard surface to remove dirt, or blow compressed air [not exceeding 30 psi (207 kPa, 2.1 kgf/cm<sup>2</sup>)] through the filter element from the air cleaner case side. **NEVER** brush off dirt. Brushing will force dirt into the fibers. Replace the paper filter element if it is excessively dirty.
- Clean foam element in warm, soapy water or nonflammable solvent. Rinse and dry thoroughly. Dip the element in clean engine oil and completely squeeze out the excess oil from the element before installing.

	<b>DANGER</b>	<b>Explosive Hazard</b>	
<b>DO NOT</b> use gasoline as a cleaning solvent, because that would create a risk of fire or explosion.			

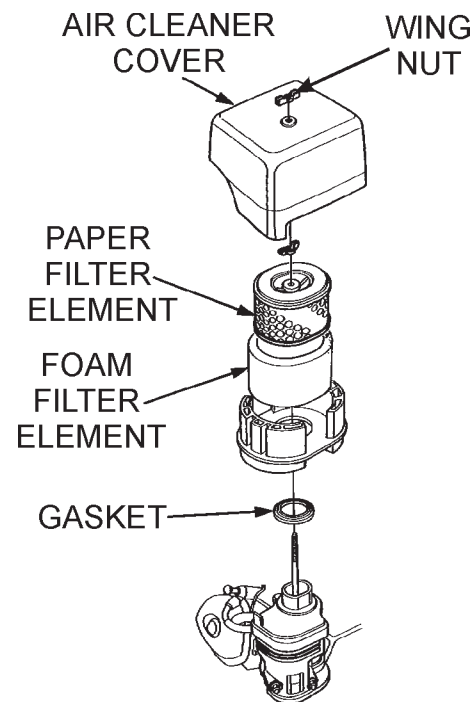


Figure 25. Engine Air Cleaner

# STOW MS-63 PLASTER/MORTAR MIXER — MAINTENANCE (MIXER)

## Ball Socket and Clamp Face Maintenance

1. If the towing vehicle is equipped with a ball socket, smear socket periodically with multi-purpose grease. This will keep the ball socket well lubricated.
2. Periodically oil **pivot points** and **clamp face** surfaces of coupler with SAE 30 WT. motor oil.
3. When parking or storing your mixer. Keep the coupler off the ground so dirt will not build up in the ball socket.

## Drum Head Seals

There is 1 set of drum head seals (Figure 26) that will require lubrication. Lubricate the grease fitting for each drum seal **every 40 hours of operation** using any grade lithium base grease. Apply grease until visible inside of mixing drum (over grease). This will purge seal system of contamination.

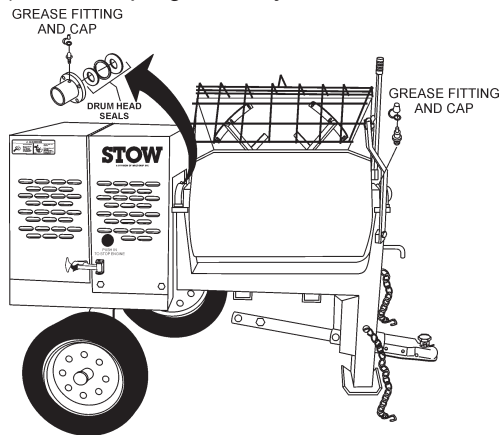


Figure 26. Grease Fittings (Drum Head Seals)

## Drum Bearing Bracket Lubrication

There is 1 set of drum bearing brackets (Figure 27) that will require lubrication. These brackets are intended to make the drum rotate freely. Lubricate the grease fitting for each drum bearing bracket **every month or when the drum becomes difficult to position** using multi-purpose grade grease.

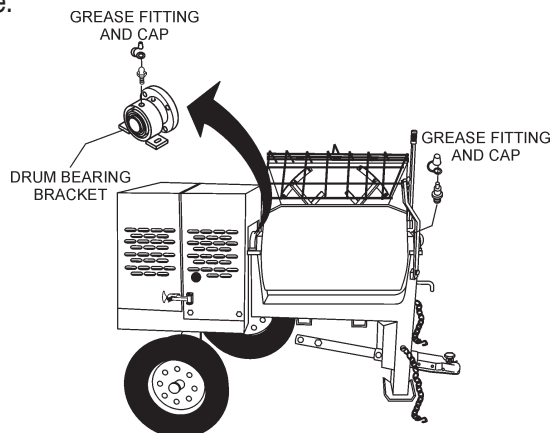


Figure 27. Grease Fittings (Dumping Mechanism)

## CAUTION

### Lubricating the Grease Fittings

**Failure** to lubricate the drum bearing grease fittings periodically will cause the dumping mechanism to stiffen, making the mixing drum hard to dump.

## Countershaft Bearing Lubrication

There is 1 set of countershaft bearings (Figure 28) that will require lubrication. Lubricate the grease fitting for each countershaft bearing **every 40 hours of operation** using any grade lithium base grease.

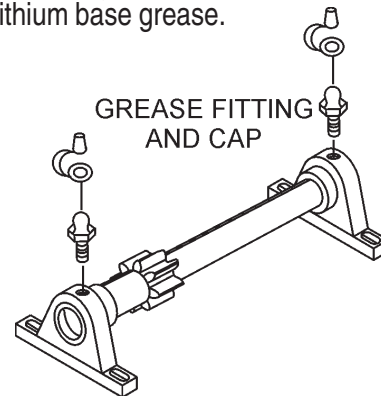


Figure 28. Grease Fittings (Countershaft)

## Wheel Bearings

1. After every 3 months of operation, remove the hub dust cap and inspect the wheel bearings (Figure 29). Once a year, or when required, disassemble the wheel hubs remove the old grease and repack the bearings forcing grease between rollers, cone and cage with a good grade of high speed wheel bearing grease (**never** use grease heavier than 265 A.S.T.M. penetration ("No. 2."))

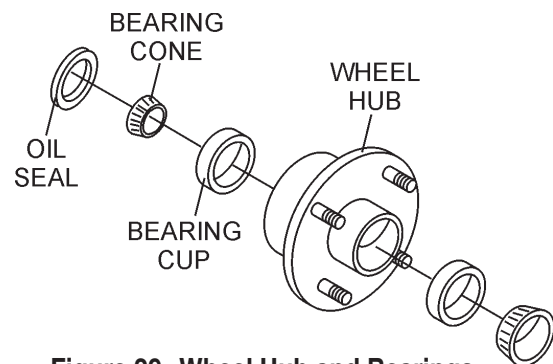


Figure 29. Wheel Hub and Bearings

# STOW MS-63 PLASTER/MORTAR MIXER — MAINTENANCE (MIXER)

- Fill the wheel hub (Figure 28) with grease to the inside diameter of the outer races and also fill the hub grease cap. Reassemble the hub and mount the wheel. Then tighten the adjusting nut, at the same time turn the wheel in both directions, until there is a slight bind to be sure all the bearing surfaces are in contact.

Then back-off the adjusting nut 1/6 to 1/4 turn or to the nearest locking hole or sufficiently to allow the wheel to rotate freely within limits of .001" to .010" end play. Lock the nut at this position. Install the cotter pin and dust cap, and tighten all hardware.

## MAIN GEAR AND DRIVE PINION ALIGNMENT

- Disconnect the spark plug wire** (gasoline engines). If mixer is equipped with an electric motor **remove power cord from AC power receptacle**. In addition make sure the clutch engagement lever is **dis-engaged** to relieve V-belt tension.
- The countershaft and drive pinion are mounted on a slotted base. To align drive pinion with main gear, loosen the pillow block mounting bolts and move them until the necessary alignment has been made. Remember gears must be paralleled aligned not skewed.
- Using your hand, slightly move (rock) the drive pulley back and forth to determine the amount of backlash. Insert feeler gauge between gears to determine backlash distance. Backlash should range between 0.007- 0.012 inches (Figure 30).

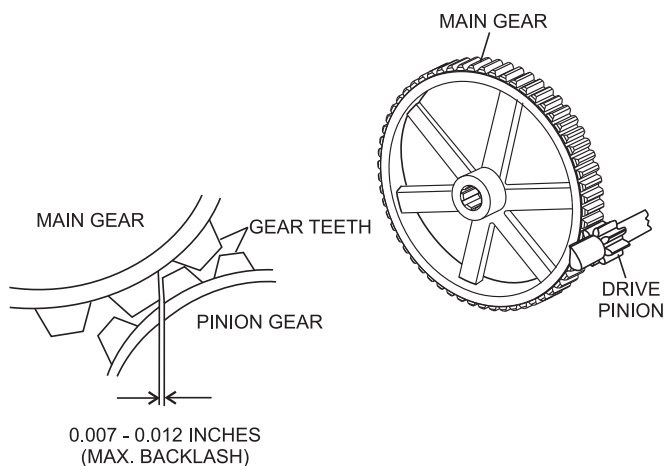


Figure 30. Drive Pinion and Main Gear (Backlash)

## INSPECT TOOTH CONTACT BETWEEN MAIN GEAR AND DRIVE PINION

- Coat 3 or 4 teeth at 3 different positions on the main gear with yellow paint.
- Rotate the drive pulley in both directions.
- Inspect the tooth pattern.
- If gear teeth are not contacting properly (Figure 31), adjust pillow block to correct the problem.

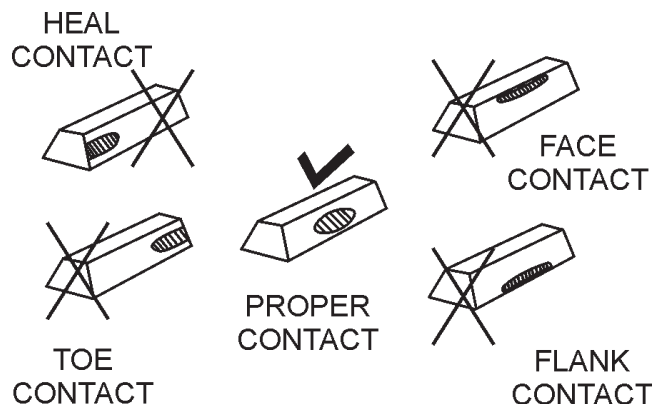


Figure 31. Gear Teeth Alignment

## GEAR LUBRICATION

The surface of the pinion and main gear (Figure 32) should be very lightly greased.

**NOTE** Grease main and pinion gears every **250 hours of operation**. **IMPORTANT! avoid over-greasing. Excess grease will accumulate contaminates and cause premature wear.**

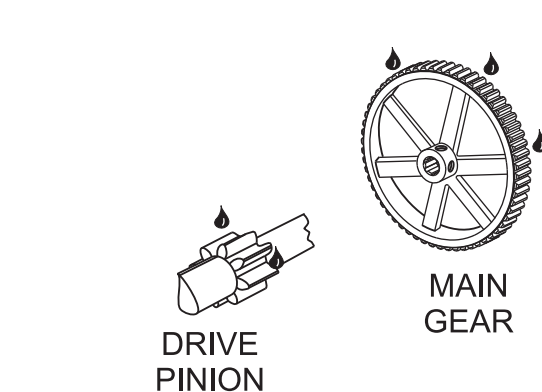


Figure 32. Pinion and Bull Gear Lubrication

# STOW MS-63 PLASTER/MORTAR MIXER — MAINTENANCE (MIXER)

## Grease Fittings (Zerk) Maintenance (Electric Motor)

1. There are two grease (Figure 33) fittings at each end of the electric motor that will require lubrication. Lubricate these fittings about **every 16 months**.
2. Use Poleyrex EM (Exxon Mobil) or equivalent lubricant. Clean grease fitting, apply grease gun to fitting (1/2 shot). Remember too much grease or injecting grease too quickly can cause premature bearing failure. Slowly apply the recommended amount of grease, taking a minute or so to apply.

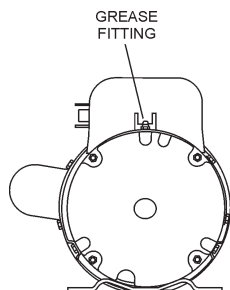


Figure 33. Grease Fittings Electric Motor

## Tires/Wheels/Lug Nuts

Tires and wheels are a very important and critical components of the trailer. When specifying or replacing the trailer wheels it is important the wheels, tires, and axle are properly matched.

**WARNING**

### Damaged Wheels

**DO NOT** attempt to repair or modify a wheel. **DO NOT** install an inter-tube to correct a leak through the rim. If the rim is cracked, the air pressure in the inter-tube may cause pieces of the rim to explode (break-off) with great force and can cause serious eye or bodily injury.

## Tires Wear/Inflation

Tire inflation pressure is the most important factor in tire life. Pressure should be checked cold before operation. **DO NOT** bleed air from tires when they are hot. Check inflation pressure weekly during use to insure maximum tire life and tread wear.

**WARNING**

### Eyesight Hazard

**ALWAYS** wear safety glasses when removing or installing force fitted parts. Failure to comply may result in serious injury.

Table 9 (Tire Wear Troubleshooting) will help pinpoint the causes and solutions of tire wear problems.

TABLE 9. TIRE WEAR TROUBLESHOOTING			
WEAR PATTERN		CAUSE	SOLUTION
	Center Wear	Over Inflation	Adjust pressure to particular load per tire manufacturer.
	Edge Wear	Under Inflation	Adjust pressure to particular load per tire manufacturer.
	Side Wear	Loss of chamber or overloading.	Make sure load does not exceed axle rating. Align wheels.
	Toe Wear	Incorrect toe-in	Align wheels.
	Cupping	Out-of balance	Check bearing adjustment and balance tires.
	Flat Spots	Wheel lockup & tire skidding.	Avoid sudden stops when possible and adjust brakes.



# STOW MS-63 PLASTER/MORTAR MIXER — MAINTENANCE (MIXER)

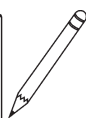
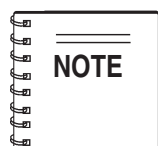
## Lug Nut Torque Requirements

It is extremely important to apply and maintain proper wheel mounting torque. Be sure to use only the fasteners matched to the cone angle of the wheel. Proper procedure for attachment of the wheels is as follows:

1. Start all wheel lug nuts by hand.
2. Torque all lug nuts in sequence. See Figure 34. **DO NOT** torque the wheel lug nuts all the way down. Tighten each lug nut in 3 separate passes as defined by Table 10.

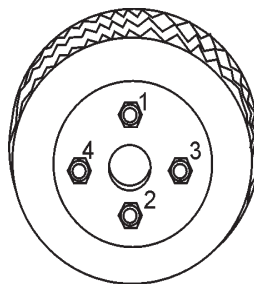
**Table 10. Tire Torque Requirements**

Wheel Size	First Pass FT-LBS	Second Pass FT-LBS	Third Pass FT-LBS
12"	20-25	35-40	50-65
13"	20-25	35-40	50-65
14"	20-25	50-60	90-120
15"	20-25	50-60	90-120
16"	20-25	50-60	90-120

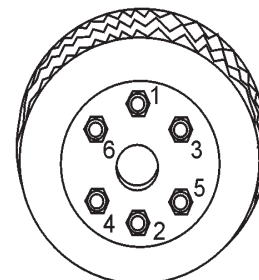


**NEVER!** use an pneumatic air gun to tighten wheel lug nuts.

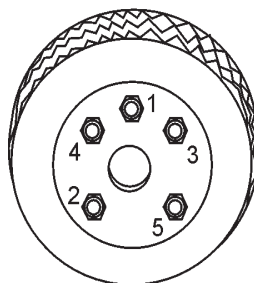
3. After first road use, retorque all lug nuts in sequence. Check all wheel lug nuts periodically.



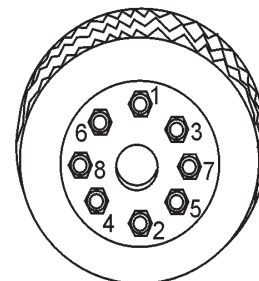
4-LUG NUTS



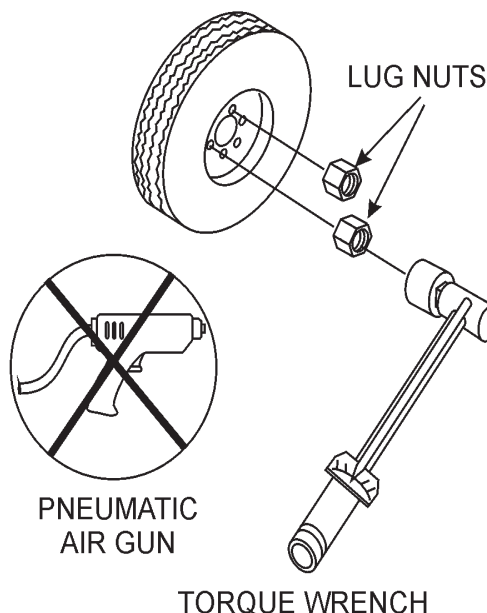
6-LUG NUTS



5-LUG NUTS



8-LUG NUTS



**Figure 34. Wheel Lug Nuts Tightening Sequence**

# STOW MS-63 PLASTER/MORTAR MIXER — MAINTENANCE (MIXER)

## Suspension

The rigid type axle and associated hardware (Figure 35) should be periodically inspected for signs of excessive wear, elongation of bolt holes, and loosening of fasteners. Replace all damaged parts immediately.

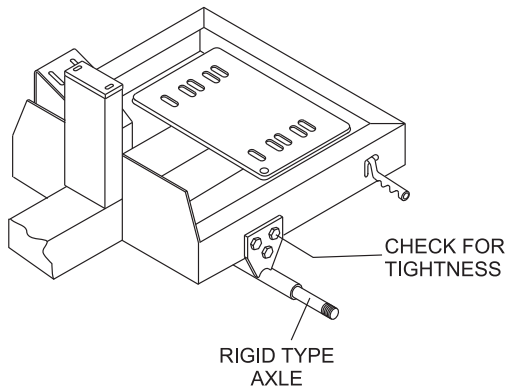


Figure 35. Axle Support Components

## Mixer Cleaning

1. **ALWAYS disconnect the spark plug wire** (gasoline engines) before cleaning the inside of the drum. If mixer is equipped with an electric motor **remove power cord from AC power receptacle**. In addition make sure the clutch engagement lever is **dis-engaged**.
2. Make sure the rear section of the safety grate is connected to the mixing drum.
3. At the end of each day's operation, place mixer drum in an upright position and spray inside of tub immediately with water to prevent lumps of dried mortar or plaster from forming and contamination of future batches, **DO NOT** allow a buildup of materials to form on the blades or anywhere inside the drum.
4. Rotate mixer to dump position and remove debris.
5. **Thoroughly clean** the entire mixer, wheels, cabinet and frame.
6. **NEVER!** pour or spray water over the engine or electric motor (Figure 36).

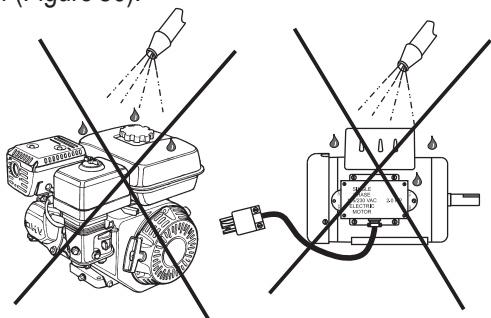


Figure 36. No Spraying of Water

## WARNING

Keep Hands  
Clear of Drum!

When rotating the mixing drum from the dump position to the upright position, **keep hands clear of safety grate**. The possibility exists of hands or fingers being crushed (Figure 37).



Figure 37. Safety Grate (Crush Hazard)

7. When cleaning of the entire mixer is done, return mixing drum to an upright position.

## Mixer Storage

For storage of the mixer for over 30 days, the following is recommended:

- Drain the fuel tank completely, or add STA-BIL to the fuel.
- Run the engine until the fuel is completely consumed.
- Completely drain used oil from the engine crankcase and fill with fresh clean oil, then follow the procedures described in the engine manual for engine storage.
- Clean the entire mixer and engine compartment.
- Place the mixing drum in the down position (mouth facing downward).
- Cover the mixer and place it a clean dry area, that is protected from harsh elements.



# STOW MS-63 PLASTER/MORTAR MIXER — TROUBLESHOOTING (ENGINE)

Practically all breakdowns can be prevented by proper handling and maintenance inspections, but in the event of a breakdown, please take a remedial action following the diagnosis based on the **Engine**, **Mixer** and **Electric Motor** Troubleshooting (Tables 11, 12 and 13) information shown below and on the proceeding pages.

If the problem cannot be remedied, please leave the unit just as it is and consult or company's service department.

**TABLE 11. ENGINE TROUBLESHOOTING**

SYMPTOM	POSSIBLE PROBLEM	SOLUTION
Poor starting	Inspect carburetor to see if fuel is reaching it?	Check fuel line
	No Fuel?	Add Fuel
	Water in fuel tank?	Flush or replace fuel tank.
	Fuel filter clogged?	Replace fuel filter
	Stuck carburetor?	Check float mechanism.
	Spark plug is red?	Spark plug is fouled. Check transistor ignition unit.
	Spark plug is blue-white?	Insufficient compression, injected air leaking. Carburetor jets are clogged (overflow).
	No spark present at tip of spark plug?	Transistor ignition unit broken, high voltage cord cracked or broken. Start/Stop switch broken. Replace spark plug if fouled.
	No oil?	Add oil as required.
	Oil pressure alarm lamp blinks upon starting?	Check Automatic shutdown circuit "oil sensor".
Insufficient power output "no compression"	Engine will not turn over?	Replace cylinder and piston and if necessary axel joint.
	Cylinder head connecting bolts loose?	Tighten cylinder head connecting bolts.
	Cylinder head gasket damaged?	Replace cylinder head gasket.
	Malfunction of valve seat?	Re-seat valves.
	Spark plug is loose?	Replace spark plug.
	Worn piston rings?	Replace piston rings.
Insufficient power output "compression"	Malfunction in air-cleaner system, air filter clogged?	Clean or replace air filter.
	Air leaking in from interface between carburetor and cylinder head?	Tighten bolts between carburetor and cylinder head. Replace cylinder head gasket.
	Malfunction in fuel system?	Clean or replace fuel filter. Clean or replace carburetor. Check carburetor float.

# STOW MS-63 PLASTER/MORTAR MIXER — TROUBLESHOOTING (ENGINE)

**TABLE 11. ENGINE TROUBLESHOOTING (CONTINUED)**

<b>SYMPTOM</b>	<b>POSSIBLE PROBLEM</b>	<b>SOLUTION</b>
Insufficient power output "compression" and overheats	Malfunction in cooling fan?	Check or replace cooling fan.
	Air in-take filter clogged?	Clean or replace air in-take filter.
Burns to much fuel	Over accumulation of exhaust products?	Clean and check valves. Check muffler, replace if necessary.
	Wrong spark plug?	Replace spark plug with manufactures suggested type spark plug.
Exhaust color is continously "WHITE"	Lubricating oil is wrong viscosity?	Replace lubricating oil with correct viscosity.
	Worn rings?	Replace rings
Exhaust color is continously "BLACK"	Air cleanner clogged?	Clean or replace air cleaner.
	Choke valve has not been set to the correct position?	Adjust choke valve to the correct position.
	Carburetor defective, seal on carburetor broken?	Replace carburetor or seal.
	Poor carburetor adjustment "engine runs too rich?"	Adjust carburetor.

# STOW MS-63 — TROUBLESHOOTING (MIXER/ELECTRIC MOTOR)

**TABLE 12. MIXER TROUBLESHOOTING**

SYMPTOM	POSSIBLE PROBLEM	SOLUTION
Blades will not rotate.	Worn or defective V-belt?	Replace V-belt.
	Adjustment lever mis-aligned?	Check position of adjustment lever. Adjust if necessary.
Material leaking from drum ends.	Worn or defective paddle shaft seals?	Replace seals.
Drum difficult to discharge (tilt)	Defective or worn drum support brackets?	Apply grease to bracket or replace.
	Blades adjusted too tight.	Adjust blades until they almost touch side walls of drum.

**TABLE 13. ELECTRIC MOTOR TROUBLESHOOTING**

SYMPTOM	POSSIBLE PROBLEM	SOLUTION
Blades will not rotate.	No voltage to motor?	Check power source.
	Defective extension cord?	Replace extension cord.
	Defective motor ON/OFF switch?	Replace switch.
	Defective motor windings?	Repair windings or replace windings.

# STOW MS-63 MIXER — WIRING DIAGRAM (ELECTRIC MOTOR)

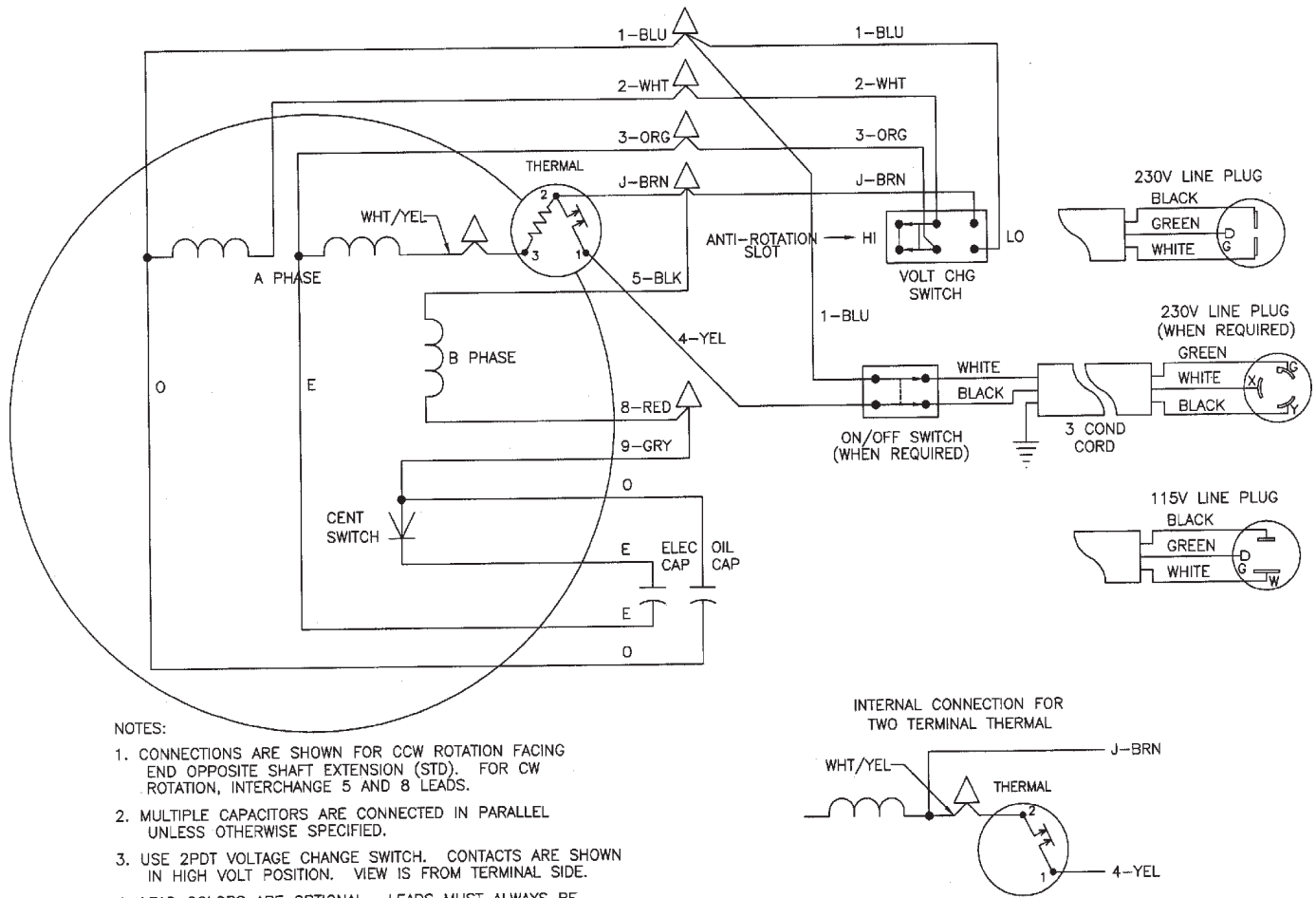


Figure 24. Electric Motor Wiring Diagram



# EXPLANATION OF CODE IN REMARKS COLUMN

The following section explains the different symbols and remarks used in the Parts section of this manual. Use the help numbers found on the back page of the manual if there are any questions.

## NOTICE

The contents and part numbers listed in the parts section are subject to change **without notice**. Multiquip does not guarantee the availability of the parts listed.

## SAMPLE PARTS LIST

NO.	PART NO.	PART NAME	QTY.	REMARKS
1	12345	BOLT.....	1	INCLUDES ITEMS W/%
2%		WASHER, 1/4 IN.....		NOT SOLD SEPARATELY
2%	12347	WASHER, 3/8 IN....	1	MQ-45T ONLY
3	12348	HOSE .....	A/R	MAKE LOCALLY
4	12349	BEARING .....	1	S/N 2345B AND ABOVE

## NO. Column

**Unique Symbols** — All items with same unique symbol

(@, #, +, %, or >) in the number column belong to the same assembly or kit, which is indicated by a note in the “Remarks” column.

**Duplicate Item Numbers** — Duplicate numbers indicate multiple part numbers, which are in effect for the same general item, such as different size saw blade guards in use or a part that has been updated on newer versions of the same machine.

## NOTICE

When ordering a part that has more than one item number listed, check the remarks column for help in determining the proper part to order.

## PART NO. Column

**Numbers Used** — Part numbers can be indicated by a number, a blank entry, or TBD.

TBD (To Be Determined) is generally used to show a part that has not been assigned a formal part number at the time of publication.

A blank entry generally indicates that the item is not sold separately or is not sold by Multiquip. Other entries will be clarified in the “Remarks” Column.

## QTY. Column

**Numbers Used** — Item quantity can be indicated by a number, a blank entry, or A/R.

A/R (As Required) is generally used for hoses or other parts that are sold in bulk and cut to length.

A blank entry generally indicates that the item is not sold separately. Other entries will be clarified in the “Remarks” Column.

## REMARKS Column

Some of the most common notes found in the “Remarks” Column are listed below. Other additional notes needed to describe the item can also be shown.

**Assembly/Kit** — All items on the parts list with the same unique symbol will be included when this item is purchased.

Indicated by:

“INCLUDES ITEMS W/(unique symbol)”

**Serial Number Break** — Used to list an effective serial number range where a particular part is used.

Indicated by:

“S/N XXXXX AND BELOW”

“S/N XXXX AND ABOVE”

“S/N XXXX TO S/N XXX”

**Specific Model Number Use** — Indicates that the part is used only with the specific model number or model number variant listed. It can also be used to show a part is NOT used on a specific model or model number variant.

Indicated by:

“XXXXX ONLY”

“NOT USED ON XXXX”

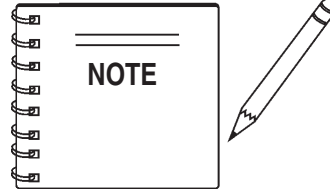
**“Make/Obtain Locally”** — Indicates that the part can be purchased at any hardware shop or made out of available items. Examples include battery cables, shims, and certain washers and nuts.

**“Not Sold Separately”** — Indicates that an item cannot be purchased as a separate item and is either part of an assembly/kit that can be purchased, or is not available for sale through Multiquip.

# STOW MS-63 MIXER — SUGGESTED SPARE PARTS

## MS-63P/S PLASTER AND MORTAR MIXER 1 TO 3 UNITS WITH HONDA GX160K1QMX2HX2 AND GX240K1HA2 ENGINES

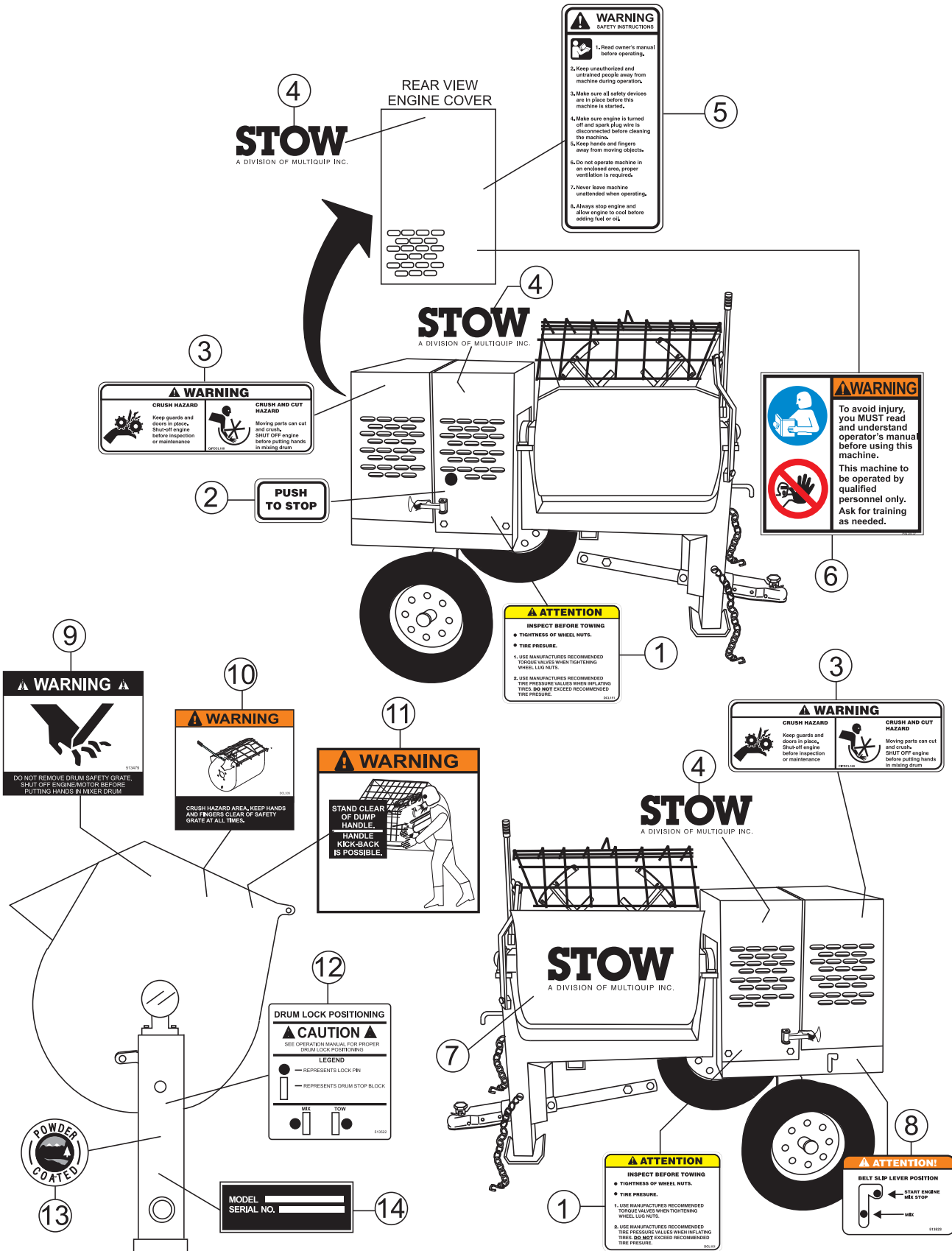
Qty...	P/N .....	Description
6 .....	491107 .....	V-BELT A32, HONDA ENGINE (5.5 HP)
6 .....	505834 .....	V-BELT A36, HONDA ENGINE (8.0 HP)
6 .....	491112 .....	V-BELT A40, ELECTRIC MOTOR
2 .....	EM914288 .....	OIL SEAL, AXLE
4 .....	EM903113 .....	BEARING, CONE, AXLE
4 .....	EM903112 .....	BEARING, CUP, AXLE
2 .....	20654-001 .....	SEAL, PADDLE SHAFT (BLACK)
2 .....	530029 .....	RING, RETENTION
2 .....	20104-002 .....	SEAL, SHAFT URETHANE (YELLOW)
3 .....	17210ZE1517 .....	ELEMENT, AIR CLEANER (5.5 HP)
3 .....	17210ZE2515 .....	ELEMENT, AIR CLEANER (8.0 HP)
3 .....	9807956846 .....	SPARK PLUG, BPR6ES, NGK
3 .....	9807956855 .....	SPARK PLUG, W20EPR-U, DENSO
1 .....	28462ZH8003 .....	ROPE, RECOIL STARTER (5.5 HP)
1 .....	28462ZE2W11 .....	ROPE, RECOIL STARTER (8.0 HP)
1 .....	17620ZH7023 .....	CAP, FUEL TANK
2 .....	25647-502 .....	KIT, WIPER BLADES (STEEL DRUM)



Part numbers on this Suggested Spare Parts List may supercede/replace the P/ N's shown in the test pages of this manual.

# STOW MS-63 MIXER — NAMEPLATE AND DECALS

## NAMEPLATE AND DECALS





# STOW MS-63 MIXER — NAMEPLATE AND DECALS

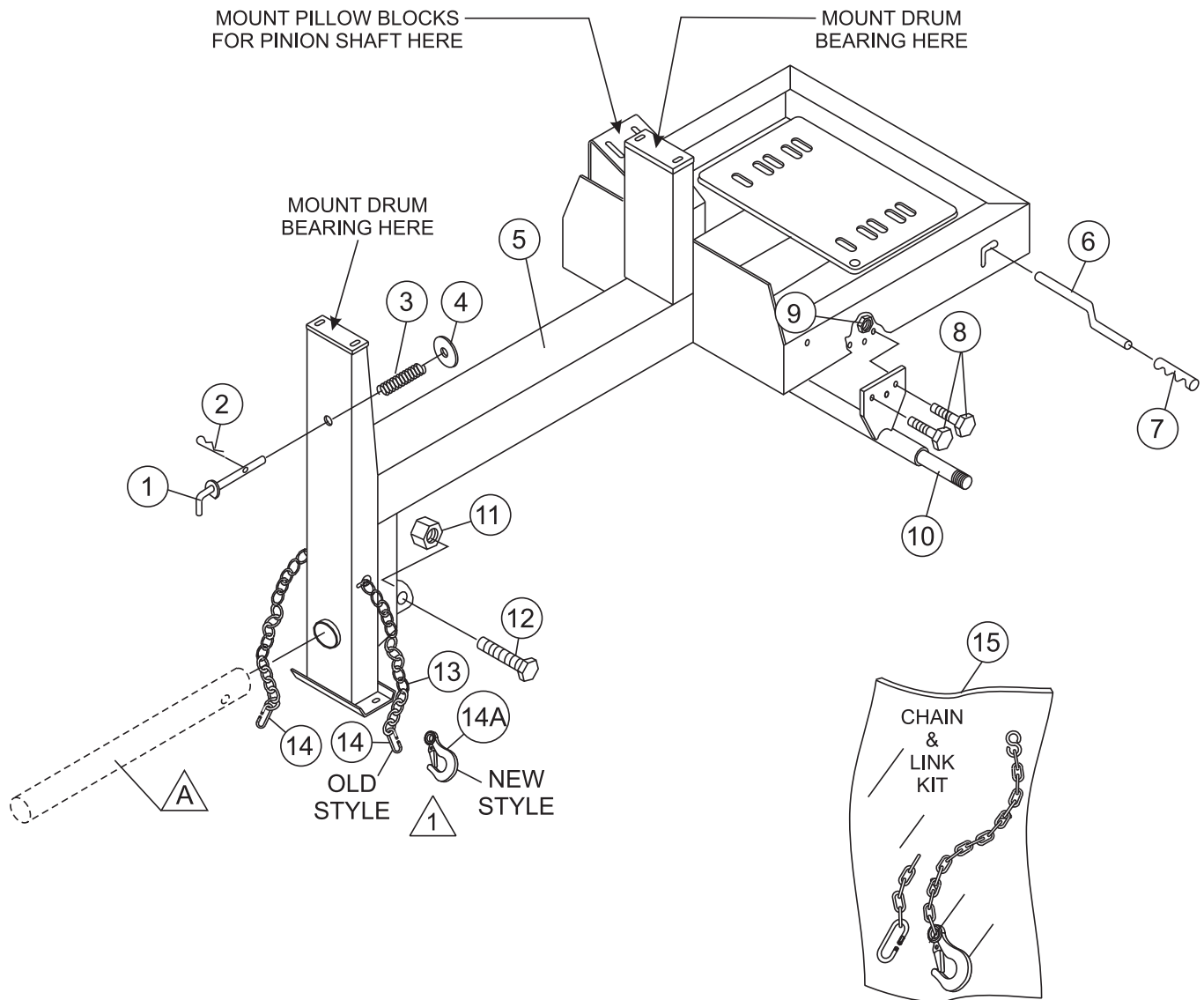
## NAMEPLATE AND DECALS

<u>NO</u>	<u>PART NO</u>	<u>PART NAME</u>	<u>QTY.</u>	<u>REMARKS</u>
1	DCL151	DECAL, TOWING INSTRUCTIONS	2	
2	EM948630	DECAL, PUSH TO STOP	1	
3	CIPDCL160	DECAL, CRUSH WARNING	2	
4	510164	DECAL, STOW LOGO (SMALL)	3	
5	504713	DECAL, SAFETY INSTRUCTIONS	1	
6	35137	DECAL, WARNING READ	1	
7	512527	DECAL, STOW LOGO (LARGE)	3	
8	513523	DECAL, BELT SLIP	1	
9	513479	DECAL, WARNING SAFETY GRATE	1	
10	DCL335	DECAL, CRUSH WARNING SAFETY GRATE	1	
11	DCL280	DECAL, WARNING DUMP HANDLE	1	
12	513522	DECAL, DRUM LOCK	1	
13	13118	DECAL, POWDER COATED	1	
14		NAMEPLATE .....	1	..... CONTACT PARTS DEPT.

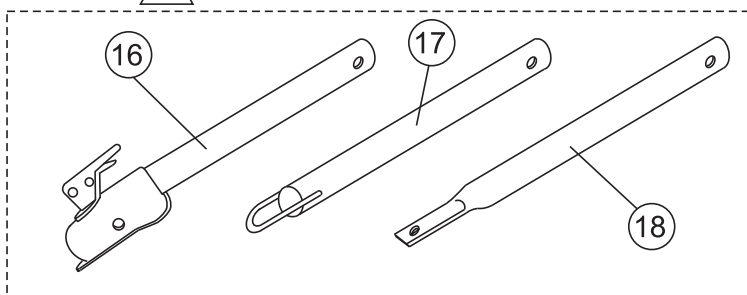
SEE OPERATION AND SAFETY DECALS PAGE.

# STOW MS-63 MIXER — FRAME ASSY.

## FRAME ASSY.



### **A** OPTIONAL TOW BARS



**1**

Quantity of item 14, Connector Link, changed from 2 to 1 in January 2006. Item 14A, Clevis Safety Hook, replaces discontinued Connector Link.

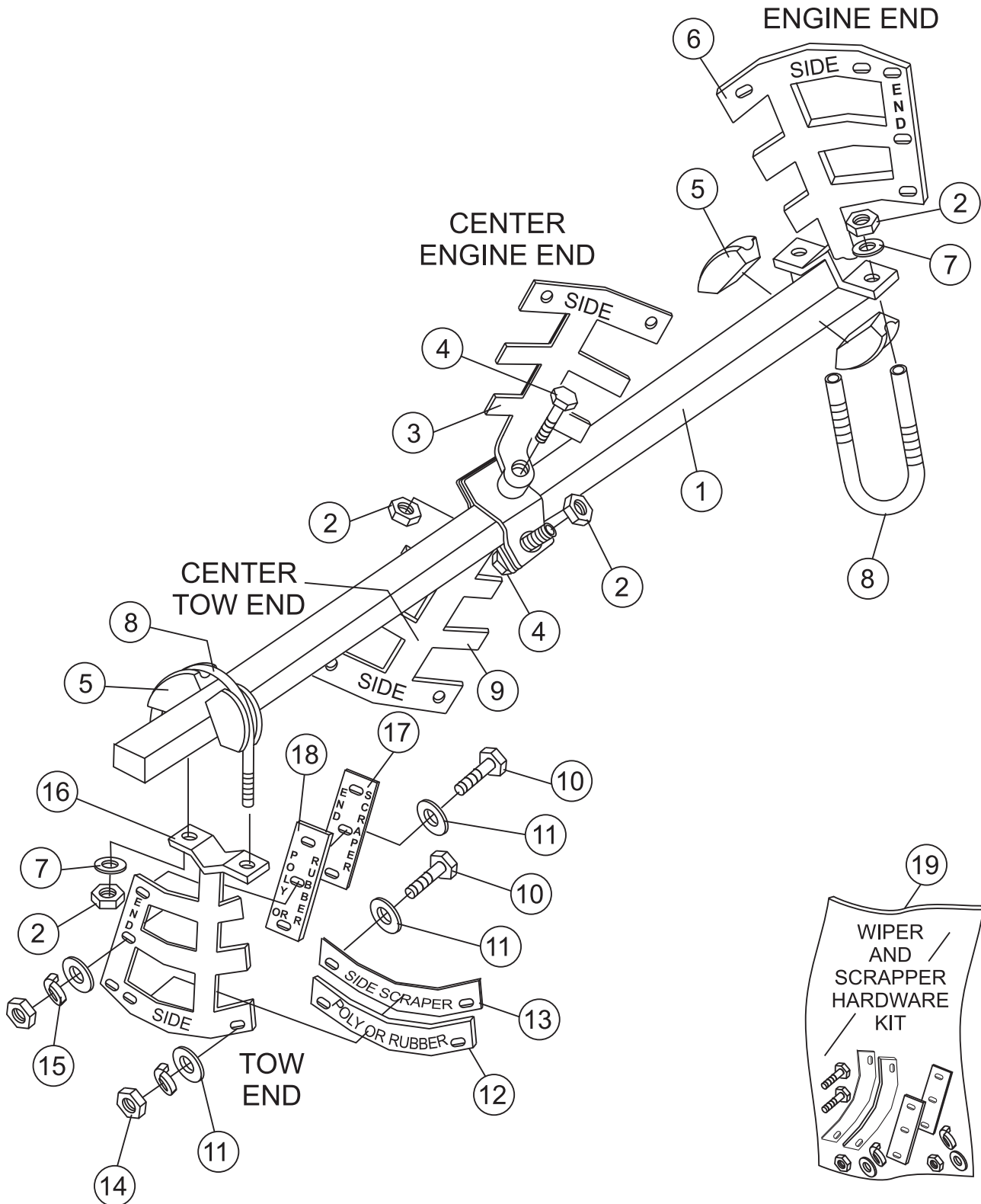
# STOW MS-63 MIXER — FRAME ASSY.

## FRAME ASSY.

<u>NO.</u>	<u>PART NO.</u>	<u>PART NAME</u>	<u>QTY.</u>	<u>REMARKS</u>
1	514842	LOCK, PIN	1	
2	491692	COTTER PIN	1	
3	530023	SPRING LOCKING PIN	1	
4	507444	WASHER, FLAT 3/4"	1	
5	514834	MAIN FRAME	1	
6	530013	CLUTCH HANDLE LEVER	1	
7	20278-001	CLUTCH HANDLE GRIP	1	
8	EM963692	BOLT 1/2" UNC 1-1/2"	6	
9	492584	NUT, LOCK 1/2"	6	
10	514802Y	AXLE, UNIVERSAL	1	
11	10176	LOCK NUT 1/2" NC	1	
12	EM124	BOLT 1/2"-13 X 4 G5	1	
13*		SAFETY CHAIN	1	
14*	01004	CONNECTOR LINK .....	2	BEFORE JANUARY 2006
14*	01004	CONNECTOR LINK .....	1	AFTER JANUARY 2006
14A*	516580	CLEVIS SAFETY HOOK .....	1	AFTER JANUARY 2006
15	13363KIT	CHAIN AND LINK KIT .....	1	INCLUDES ITEMS W/*
16	HBC-1	BALL HITCH 2-INCH .....	1	CONTACT UNIT SALES
17	HLC-1	LOOP HITCH .....	1	CONTACT UNIT SALES
18	HPC-1	PIN HITCH 1-INCH .....	1	CONTACT UNIT SALES

# STOW MS-63 MIXER — PADDLE SHAFT ASSY.

## PADDLE SHAFT ASSY.



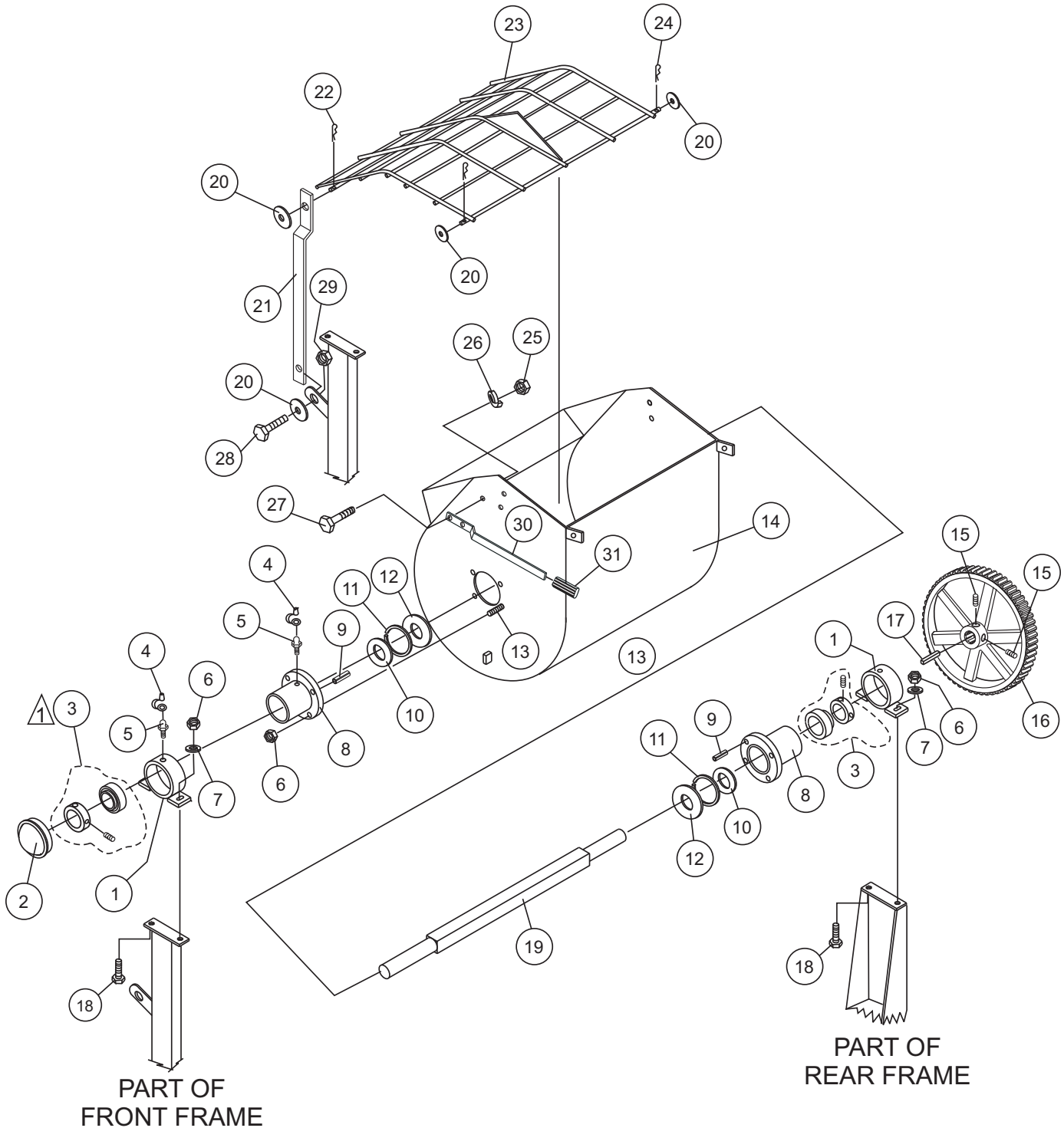
# STOW MS-63 MIXER — PADDLE SHAFT ASSY.

PADDLE SHAFT ASSY.

<u>NO.</u>	<u>PART NO.</u>	<u>PART NAME</u>	<u>QTY.</u>	<u>REMARKS</u>
1	514752	PADDLE SHAFT	1	
2	492584	NUT, LOCK 1/2"	6	
3	530140C	PADDLE ARM, CENTER ENGINE END	1	
4	492400	BOLT, 1/2 " X 3-1/2" G5	2	
5	EM200292	INSERT, PADDLE ARM	4	
6	530141	PADDLE ARM, ENGINE END	1	
7	504322	WASHER, FLAT 1/2"	6	
8	EM200297	U-BOLT, END PADDLES	2	
9	530143	PADDLE ARM, CENTER TOW END	1	
10	505196	SCREW, 3/8" NC X 1-1/2 " G5	18	
11	492598	WASHER, FLAT 3/8"	28	
12*	25667-001	BLADE, SIDE, RUBBER	4	
13	25668-001	BLADE, SIDE, SCRAPPER	4	
14	492554	NUT, HEX 3/8" NC G5	14	
15	492624	WASHER, LOCK 3/8"	14	
16	530142C	PADDLE ARM, TOW END	1	
17	33074-001	BLADE ,SCRAPPER END	2	
18*	33017-001	BLADE, RUBBER END	2	
19	25647-502	KIT, WIPERS .....	1	INCLUDES ITEMS W/*

# STOW MS-63 MIXER — STEEL DRUM ASSY.

## STEEL DRUM ASSY.



### NOTES:

- ① SET SCREWS AND BEARING COLLAR ARE INCLUDED WITH BEARING AND CANNOT BE PURCHASED SEPARATELY.

# STOW MS-63 MIXER — STEEL DRUM ASSY.

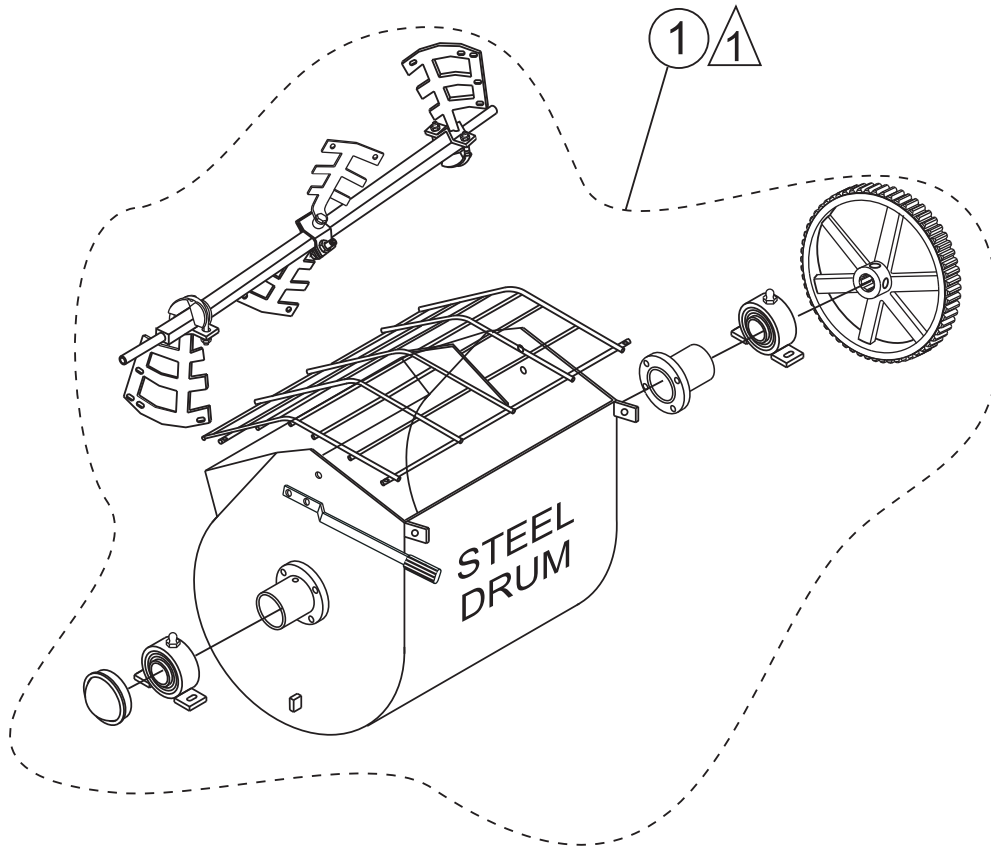
## STEEL DRUM ASSY.

<u>NO.</u>	<u>PART NO.</u>	<u>PART NAME</u>	<u>QTY.</u>	<u>REMARKS</u>
1	530028Y	DRUM BEARING BRACKET	2	
2	3249Y	CAP, DUST	1	
3	20561-001	BEARING SEALED .....	2 .....	SET SCREWS AND BEARING COLLAR CANNOT BE PURCHASED SEPARATELY.
4	491008	CAP, GREASE FITTING	2	
5	EM916019	FITTING, GREASE	2	
6	EM969013	NUT, LOCK 3/8"	12	
7	3019092	WASHER, FLAT 3/8"	4	
8	514778Y	TRUNNION HUB	2	
9	513453	ROLL PIN 3/16" X 3/4"	2	
10	20654-001	SEAL, SHAFT (BLACK)	2	
11	530029	RING, RETENTION	2	
12	20104-002	SEAL, SHAFT URETHANE (YELLOW)	2	
13	513452	BOLT 3/8" NC X 1/4" G5	8	
14	515009	DRUM, STEEL	1	
15	492484	SET SCREW	2	
16	530043	MAIN GEAR	1	
17	500432	KEY, 3/8" X 50 MM	1	
18	17985-012	CARRIAGE BOLT 3/8-16 X 1-1/2"	4	
19	514752	SHAFT, PADDLE	1	
20	492600	WASHER, FLAT 1/2"	4	
21	515032	LIFT BAR	1	
22	EM925191	PIN, COTTER	1	
23	514962Y	GRATE	1	
24	505070	PIN, COTTER	2	
25	492556	HEX NUT 1/2" G5	2	
26	6109180	WASHER, LOCK 1/2"	2	
27	EM963692	BOLT 1/2" NC 1-1/4" G5	2	
28	492393	CAPSCREW, HHCS 1/2" NC X 1-1/4"	1	
29	492584	NUT, LOCK 1/2" NC	1	
30	EM201537Y	HANDLE DUMP	1	
31	15081	GRIP, DUMP HANDLE	1	



# STOW MS-63 MIXER — DRUM & PADDLE SHAFT COMPLETE ASSY.

DRUM AND PADDLE SHAFT COMPLETE ASSY.



NOTES:

- △ 1 COMPLETE DRUM AND PADDLE SHAFT ASSEMBLIES ARE INCLUDED WITHIN DASHED LINES.

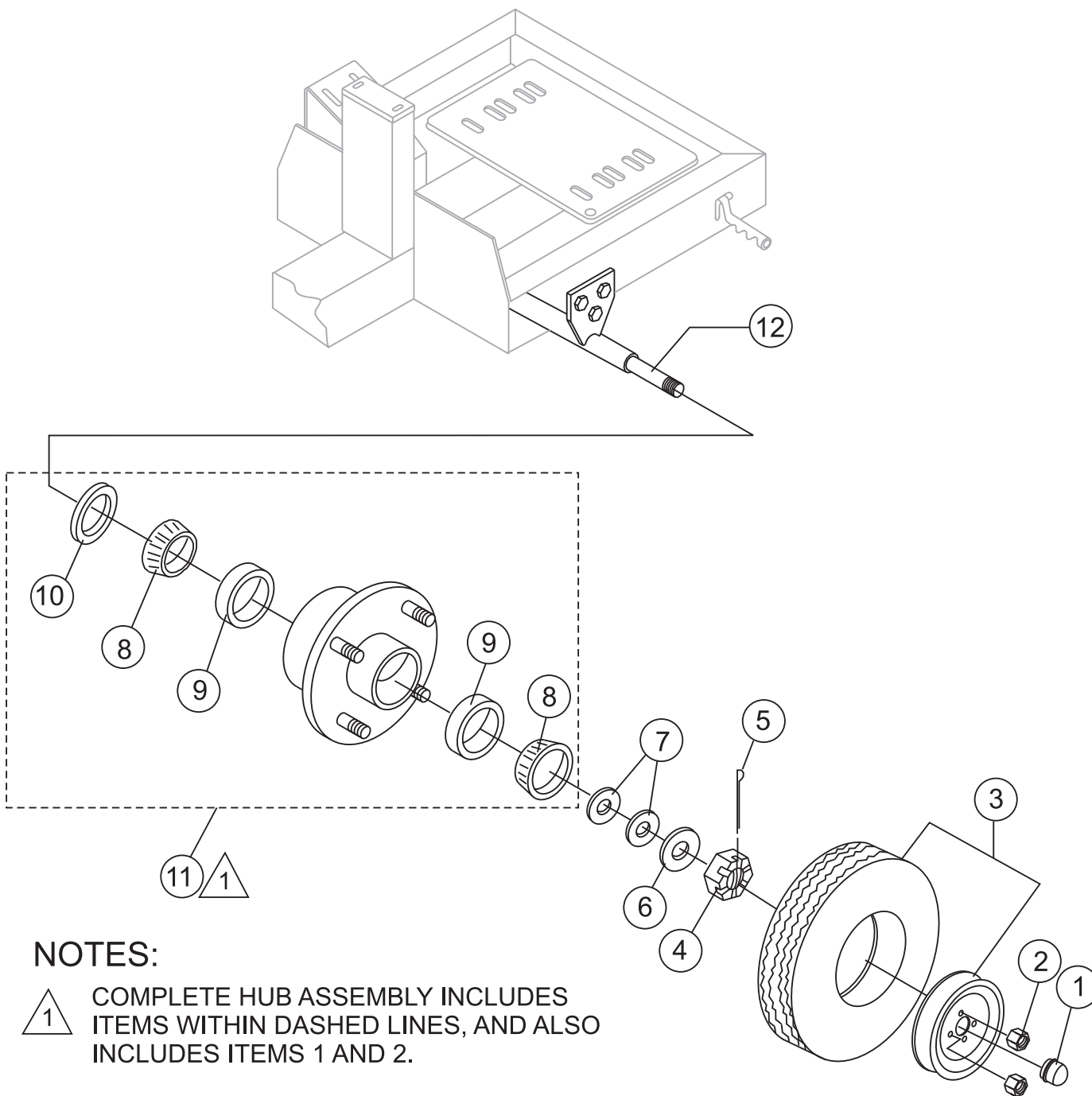
# STOW MS-63 MIXER — DRUM & PADDLE SHAFT COMPLETE ASSY.

## DRUM AND PADDLE SHAFT COMPLETE ASSY.

<u>NO.</u>	<u>PART NO.</u>	<u>PART NAME</u>	<u>QTY.</u>	<u>REMARKS</u>
1	516069	DRUM AND SHAFT COMPLETE ASSY. ....	1	INCLUDES ITEMS LISTED BELOW:
	530028Y	DRUM BEARING BRACKET	2	
	3249Y	CAP, DUST	1	
	20561-001	BEARING SEALED	2	
	491008	CAP, GREASE FITTING	2	
	EM916019	FITTING, GREASE	2	
	EM969013	NUT, LOCK 3/8"	12	
	3019092	WASHER, FLAT 3/8"	4	
	514778Y	TRUNNION HUB	2	
	513453	ROLL PIN 3/16" X 3/4"	2	
	20654-001	SEAL, SHAFT (BLACK)	2	
	530029	RING, RETENTION	2	
	20104-002	SEAL, SHAFT URETHANE (YELLOW)	2	
	513452	BOLT 3/8" NC X 1/4" G5	8	
	515009	DRUM, STEEL	1	
	492484	SET SCREW	2	
	530043	MAIN GEAR	1	
	500432	KEY, 3/8" X 50 MM	1	
	EM963057	CAPSCREW HHCS 3/8 X 1-1/2"	4	
	514752	SHAFT, PADDLE	1	
	492600	WASHER, FLAT 1/2"	2	
	514946	GRATE	1	
	505070	PIN, COTTER	2	
	492556	HEX NUT 1/2" G5	2	
	6109180	WASHER, LOCK 1/2"	2	
	EM963692	BOLT 1/2" UNC 1-1/2"	2	
	EM201537	HANDLE DUMP	1	
	15081	GRIP, DUMP HANDLE	1	
	514752	PADDLE SHAFT	1	
	492584	NUT, LOCK 1/2"	6	
	530142	PADDLE ARM, CENTER ENGINE END	1	
	510721	BOLT, 1/2 " X 6" G5	2	
	EM200292	INSERT, PADDLE ARM	4	
	530141	PADDLE ARM, ENGINE END	1	
	504322	WASHER, FLAT 1/2"	6	
	EM200297	U-BOLT, END PADDLES	2	
	530143	PADDLE ARM, CENTER TOW END	1	
	505196	SCREW, 3/8" NC X 1-1/2 " G5	18	
	EM923023	WASHER, FLAT 5/16"	28	
	25667-001	BLADE, SIDE, RUBBER	4	
	25668-001	BLADE, SIDE, SCRAPPER	4	
	2105164	NUT, HEX 5/16" NC G5	14	
	EM923343	WASHER, LOCK 5/15"	14	
	530140	PADDLE ARM, TOW END	1	
	33074-001	BLADE ,SCRAPPER END	2	
	33017-001	BLADE, RUBBER END	2	

# STOW MS-63 MIXER — AXLE ASSY.

AXLE ASSY.



## NOTES:



COMPLETE HUB ASSEMBLY INCLUDES ITEMS WITHIN DASHED LINES, AND ALSO INCLUDES ITEMS 1 AND 2.

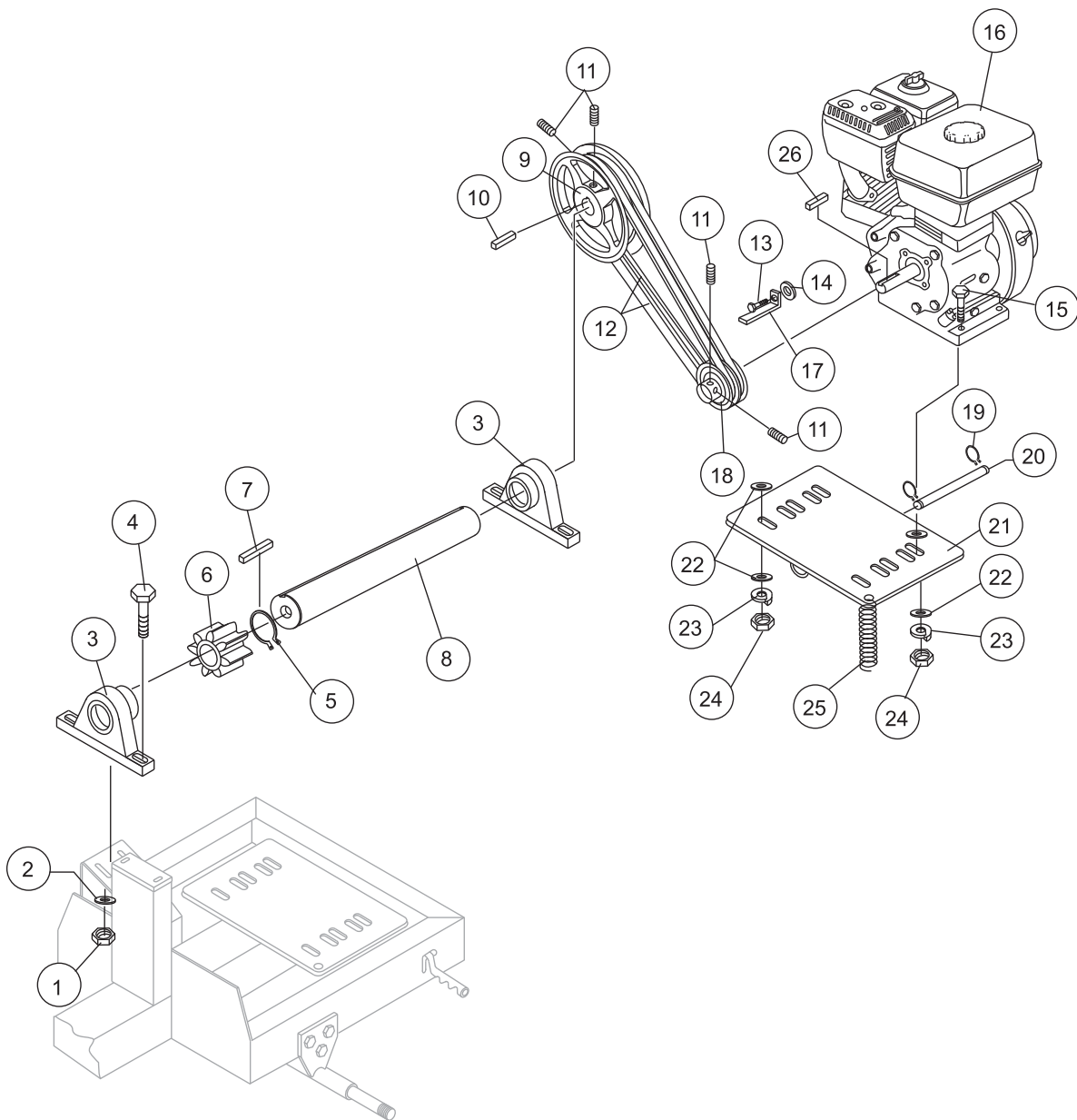
## STOW MS-63 MIXER — AXLE ASSY.

### AXLE ASSY.

<u>NO</u>	<u>PART NO</u>	<u>PART NAME</u>	<u>QTY.</u>	<u>REMARK</u>
1#	3469	DUST CAP	2	
2#	8115	LUG NUTS	8	
3	3005	TIRE AND RIM, CARLISE .....	2 .....	BEFORE JANUARY 2006
3	516476	TIRE AND RIM, TOWMASTER II .....	2 .....	AFTER JANUARY 2006
4	8164	CASTLE NUT 1"	2	
5	491688	COTTER PIN 1/8" X 1-1/2'	2	
6	EM511159	WASHER, FLAT, .087" THICKNESS	2	
7	EM501299	WASHER, FLAT, .135" THICKNESS	1	
8#	EM903113	BEARING CONE	4	
9#	EM903012	BEARING CUP	4	
10#	EM914288	OIL SEAL	2	
11	EM941306	HUB ASSY., 4-BOLT .....	2 .....	INCLUDES ITEMS W/#
12	514802Y	AXLE, UNIVERSAL	1	

# STOW MS-63 MIXER — ENGINE ASSY.

ENGINE ASSY.



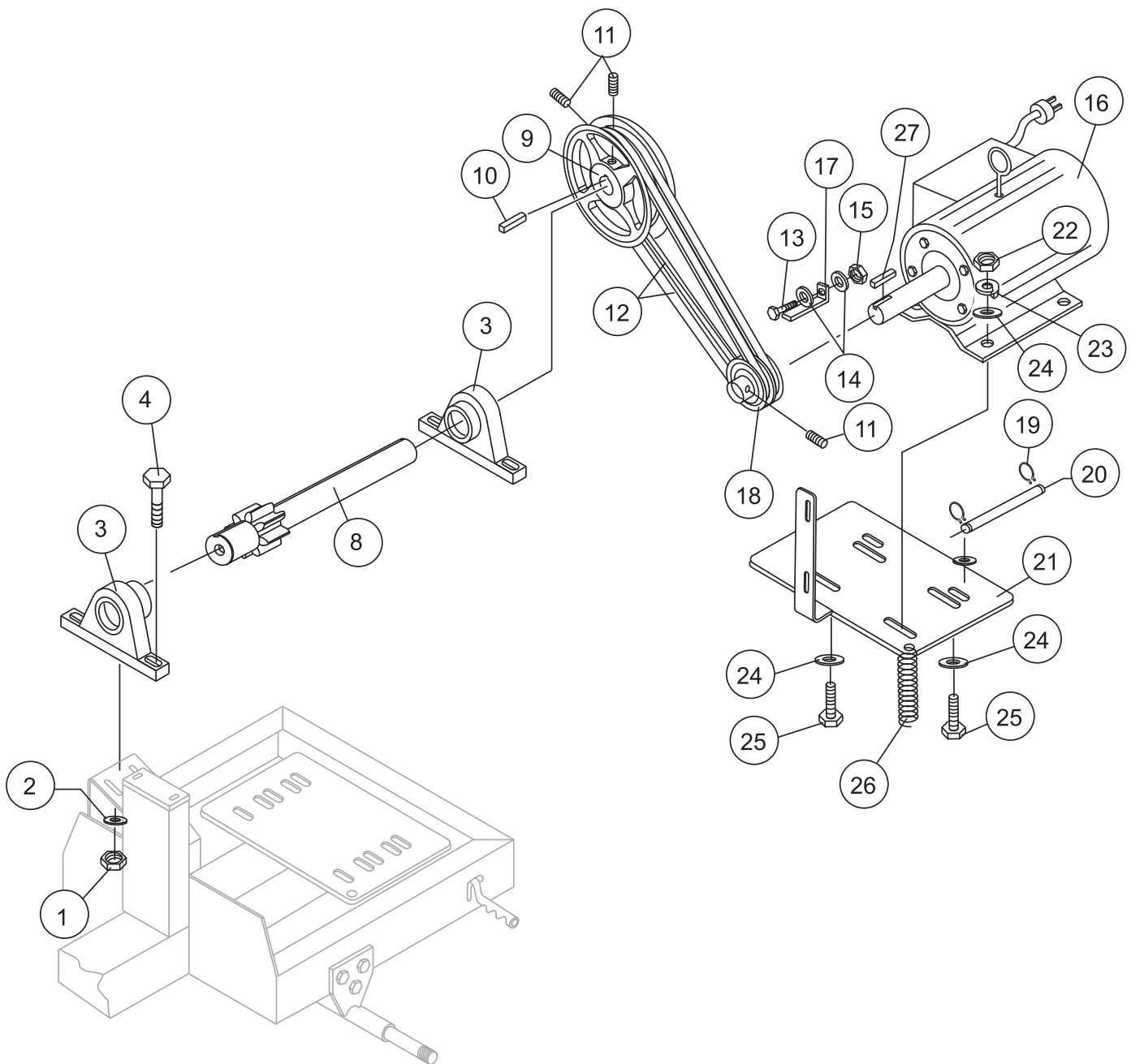
# STOW MS-63 MIXER — ENGINE ASSY.

## ENGINE ASSY.

<u>NO</u>	<u>PART NO</u>	<u>PART NAME</u>	<u>QTY.</u>	<u>REMARKS</u>
1	492583	NUT 3/8" NC G5	4	
2	506488	FLAT WASHER 3/8	8	
3	EM905016	PILLOW BLOCK BEARING	2	
4	492378	BOLT 3/8" NC X 1-3/4" G5	4	
5	490957	RING, RETAINER	1	
6	513868	PINION GEAR	1	
7	500214	KEY, 1/4" X 30 MM	1	
8	502226	PINION SHAFT	1	
9	492077	PULLEY (LARGE)	1	
10	505084	KEY, 1/4" X 55 MM	1	
11	492467	SET SCREW, 5/16" NC 3/8"	4	
12	491107	V-BELT, A-32 .....	2	HONDA 5.5 HP
12	07055-034	V-BELT, A-34 .....	2	HONDA 8.0 HP
13	503117	BOLT, 3/8" NC X 3" G5	1	
14	508344	WASHER, FLAT 5/16"	1	
15	492367	BOLT 5/16" NC X 1-3/4" G5 .....	4	HONDA 5.5 HP
15	492378	BOLT 3/8" NC X 1-3/4" G5 .....	4	HONDA 8.0 HP
16	GX160K1QMX2HX2	ENGINE, HONDA .....	1	HONDA 5.5 HP
16	GX240K1HA2	ENGINE, HONDA .....	1	HONDA 8.0 HP
17	514985	BELT RETAINER BAR	1	
18	492055	PULLEY, (SMALL) .....	1	HONDA 5.5 HP
18	505205	PULLEY, (SMALL) .....	1	HONDA 8.0 HP
19	604445	RING, RETENTION	2	
20	530454	SHAFT, ENGINE MOUNT	1	
21	530019	ENGINE MOUNTING PLATE	1	
22	492597	WASHER, FLAT 5/16"	6	
22	492598	WASHER, FLAT 3/8"	6	
23	492623	WASHER, LOCK 5/16"	4	
23	492624	WASHER, LOCK 3/8"	4	
24	492553	NUT, HEX 5/16"	4	
24	492554	NUT, HEX 3/8"	4	
25	EM102014	SPRING, EXTENSION	1	
26	501019	SQ. KEY 3/16" X 45 MM .....	1	HONDA 5.5 HP
26	90745ZE2600	SQ. KEY 6.3 X 6.3 X 43 MM .....	1	HONDA 8.0 HP

# STOW MS-63 MIXER — ELECTRIC MOTOR ASSY.

ELECTRIC MOTOR ASSY.





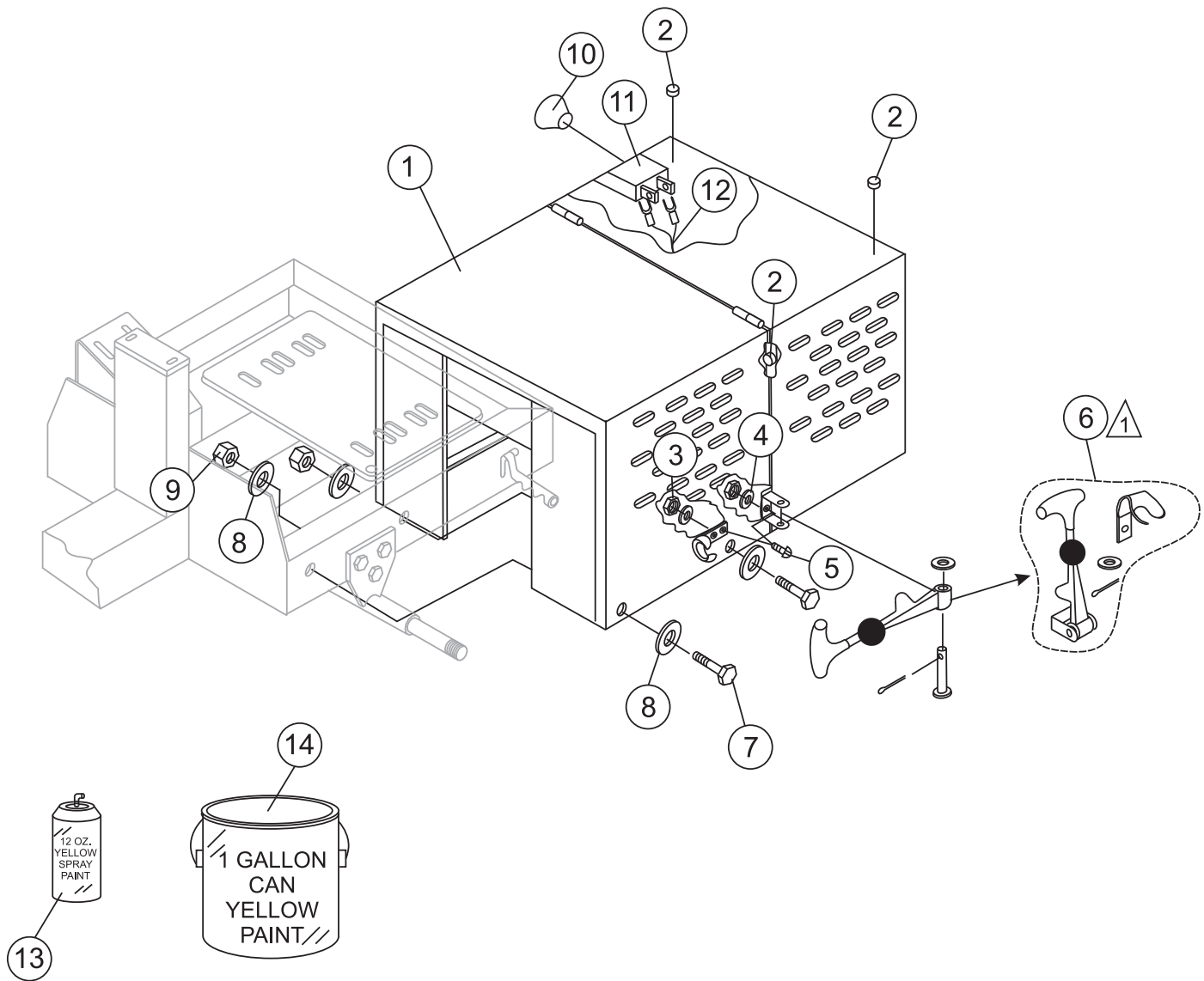
## STOW MS-63 MIXER — ELECTRIC MOTOR ASSY.

### ELECTRIC MOTOR ASSY.

<u>NO</u>	<u>PART NO</u>	<u>PART NAME</u>	<u>QTY.</u>	<u>REMARKS</u>
1	492583	NUT 3/8" NC G5	4	
2	506488	FLAT WASHER 3/8	8	
3	EM905016	PILLOW BLOCK BEARING	2	
4	492378	BOLT 3/8" NC X 1-3/4" G5	4	
8	20216-001	PINION SHAFT	1	
9	20061-001	PULLEY (LARGE)	1	
10	500275	KEY, 1/4" X 40 MM	1	
11	492467	SET SCREW, 5/16" NC 3/8"	3	
12	491112	V-BELT, A-40	2	
13	503117	CAP SCREW 5/16"-18X 1"	1	
14	492598	WASHER, FLAT 3/8"	2	
15	492582	NUT, NYLON 5/16"-18	1	
16	35L229S302	ELECTRIC MOTOR 1.5 HP	1	
17	514985	BELT RETAINER BAR	1	
18	502213	PULLEY, (SMALL)	1	
19	604445	RING, RETENTION	2	
20	530454	SHAFT, ENGINE MOUNT	1	
21	530089	ELECTRIC MOTOR MOUNTING PLATE	1	
22	2105164	NUT, HEX 5/16" NC	4	
23	492623	WASHER, LOCK 5/16"	4	
24	EM923023	WASHER, FLAT 5/16"	8	
25	492378	BOLT 3/8" NC X 1-3/4" G5	4	
26	530024	SPRING, EXTENSION	1	
27	500169	KEY, 3/16" X 50 MM	1	

# STOW MS-63 MIXER — CABINET ASSY.

CABINET ASSY.



## NOTES:



COMPLETE LATCH ASSEMBLY  
INCLUDES ITEMS WITHIN DASHED  
LINES. ITEMS CANNOT BE PURCHASED  
SEPARATELY.

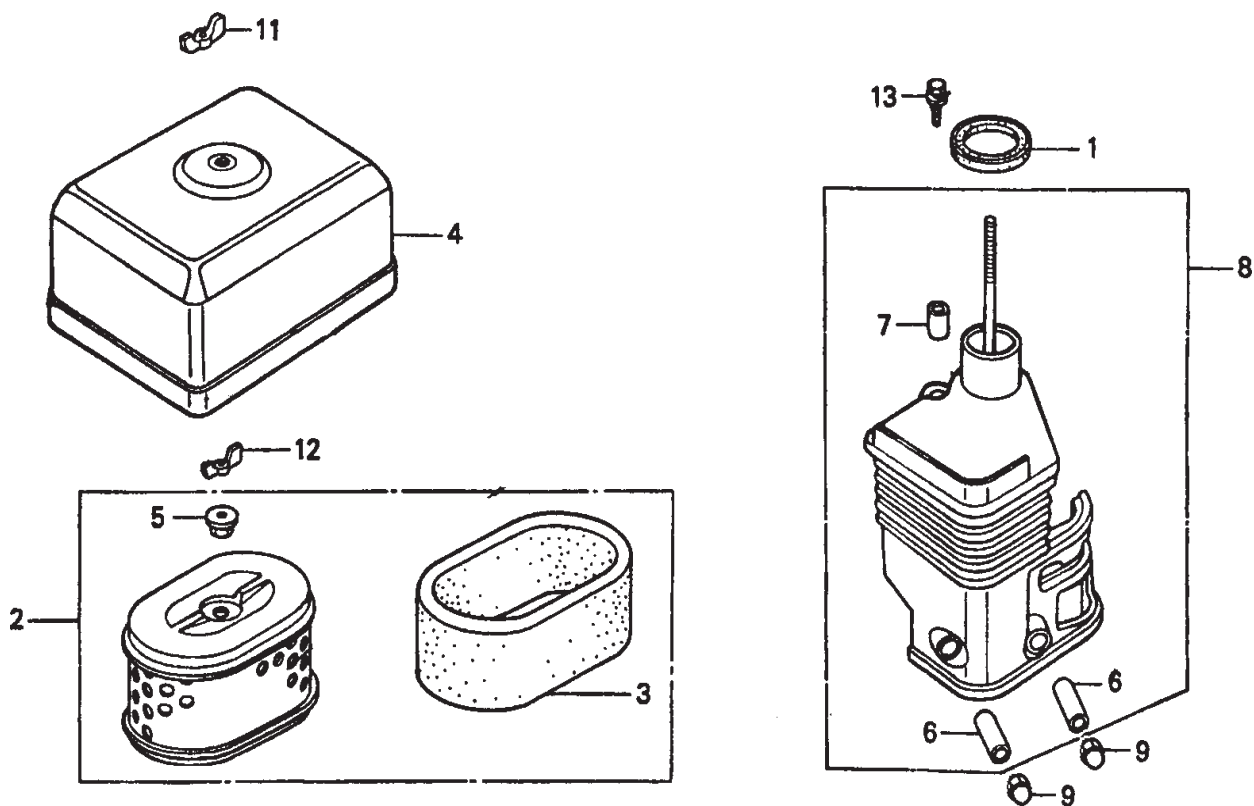
# STOW MS-63 MIXER — CABINET ASSY.

## CABINET ASSY.

<u>NO</u>	<u>PART NO</u>	<u>PART NAME</u>	<u>QTY.</u>	<u>REMARKS</u>
1	515014	CABINET, ENGINE W/DECALS .....	1 .....	INCLUDES ITEMS W/*
2	490202	RUBBER PROTECTOR	4	
3	13287	LOCK NUT 8-32 .....	6 .....	REPLACEMENT PART ONLY
4	2203	WASHER, FLAT #10 .....	6 .....	REPLACEMENT PART ONLY
5	1307	SCREW RHMS 8-32 X 1/2" .....	6 .....	REPLACEMENT PART ONLY
6*	491010	LATCH ASSY., COMPLETE	2	
7	492375	BOLT 3/8" NC X 1" G5	4	
8	492598	WASHER, FLAT 3/8"	4	
9	492583	NUT 3/8" NC G5	4	
10	29174-001	KNOB, MUSHROOM	1	
11	29173-001	SWITCH, PUSH-PULL	1	
12	504135C	WIRE HARNESS	1	
13	RAL1003S	PAINT, SPRAY CAN 12 OZ., YELLOW	AR	
14	RAL1003G	PAINT, GALLON CAN, YELLOW	AR	

# HONDA GX160K1QMX2HX2 ENGINE — AIR CLEANER ASSY.

AIR CLEANER ASSY.



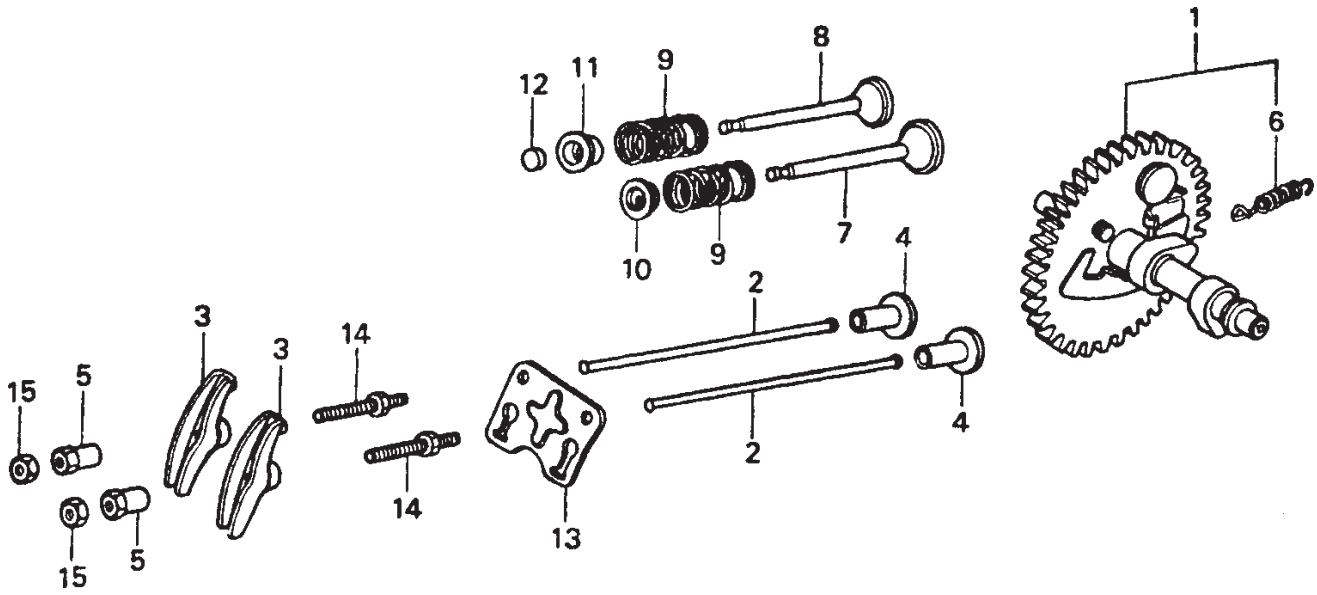
# HONDA GX160K1QMX2HX2 ENGINE — AIR CLEANER ASSY.

## AIR CLEANER ASSY.

<u>NO</u>	<u>PART NO</u>	<u>PART NAME</u>	<u>QTY.</u>	<u>REMARKS</u>
1	16271ZE1000	GASKET ELBOW	1	
2	17210ZE1505	AIR CLEANER ELEMENT DUAL .....	1	INCLUDES ITEMS W/#
3#	17218ZE1821	FILTER OUTER	1	
4	17230ZE1820	COVER AIR CLEANER DUAL	1	
5#	17232891000	GROMMET, AIR CLEANER	1	
6*	17238ZE7010	COLLAR, AIR CLEANER	1	
7*	17239ZE1000	COLLAR B, AIR CLEANER	1	
8	17410ZE1020	ELBOW COMP. AIR CLEANER .....	1	INCLUDES ITEMS W/*
9	90201415000	NUT CAP 6MM	2	
11	90325044000	NUT WING TOOL BOX SETTING	1	
12	90325044000	NUT WING TOOL BOX SETTING	1	
13	957010602000	BOLT FLANGE 6 x 20	1	

# HONDA GX160K1QMX2HX2 ENGINE — CAMSHAFT ASSY.

CAMSHAFT ASSY.



# HONDA GX160K1QMX2HX2 ENGINE — CAMSHAFT ASSY.

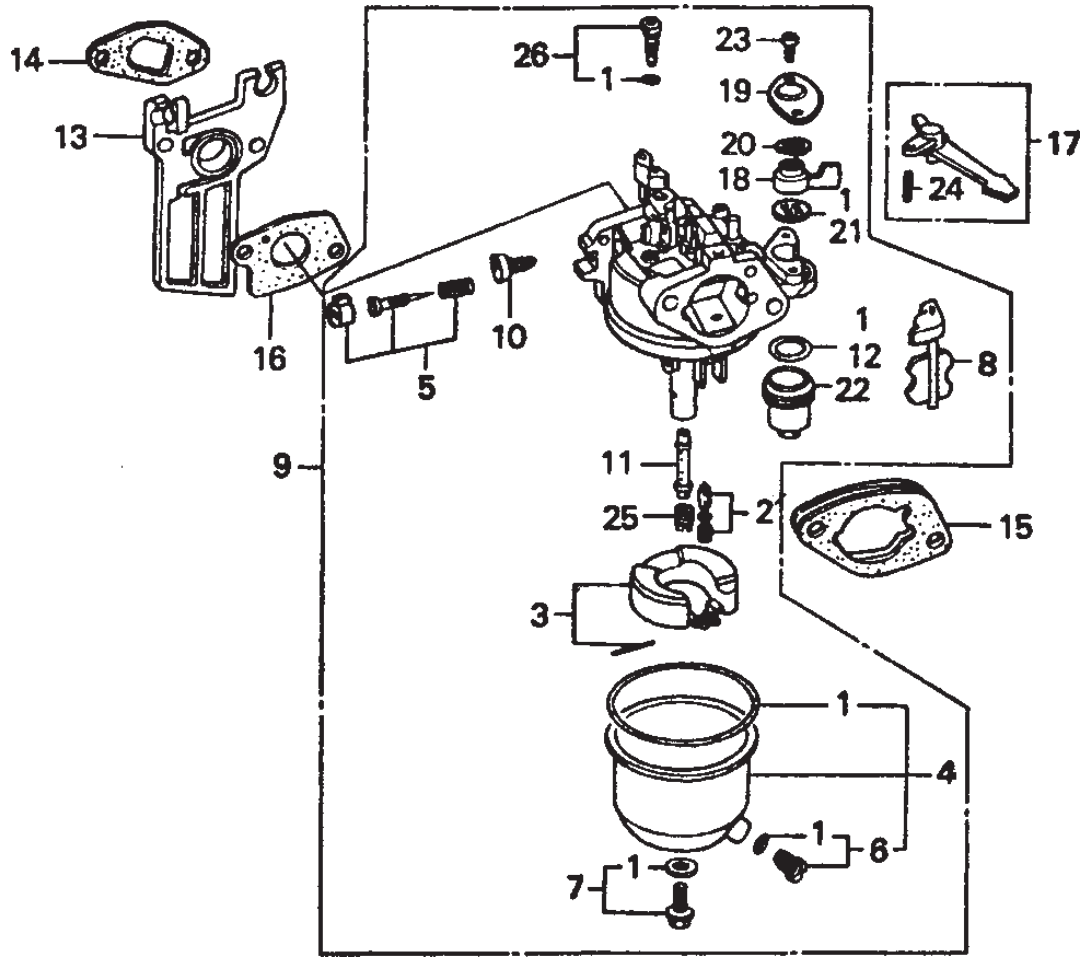
## CAMSHAFT ASSY.

<u>NO</u>	<u>PART NO</u>	<u>PART NAME</u>	<u>QTY.</u>	<u>REMARKS</u>
1	14100ZE1812	CAMSHAFT ASSY. ....	1	INCLUDES ITEMS W/*
2	14410ZE1010	ROD, PUSH	2	
3	14431ZE1000	ARM, VALVE ROCKER	2	
4	14441ZE1010	LIFTER, VALVE	2	
5	14451ZE1013	PIVOT, ROCKER ARM	2	
6*	14568ZE1000	SPRING, WEIGHT RETURN	1	
7	14711ZF1000	VALVE, IN.	1	
8	14721ZF1000	VALVE, EX.	1	
9	14751ZF1000	SPRING, VALVE	2	
10	14771ZE1000	RETAINER, IN. VALVE SPRING	1	
11	14773ZE1000	RETAINER, EX. VALVE SPRING	1	
12	14781ZE1000	ROTATOR, VALVE	1	
13	14791ZE1010	PLATE, PUSH ROD GUIDE	1	
14	90012ZE0010	BOLT, PIVOT	2	
15	90206ZE1000	NUT, PIVOT ADJUSTING	2	



# HONDA GX160K1QMX2HX2 ENGINE — CARBURETOR ASSY.

CARBURETOR ASSY.



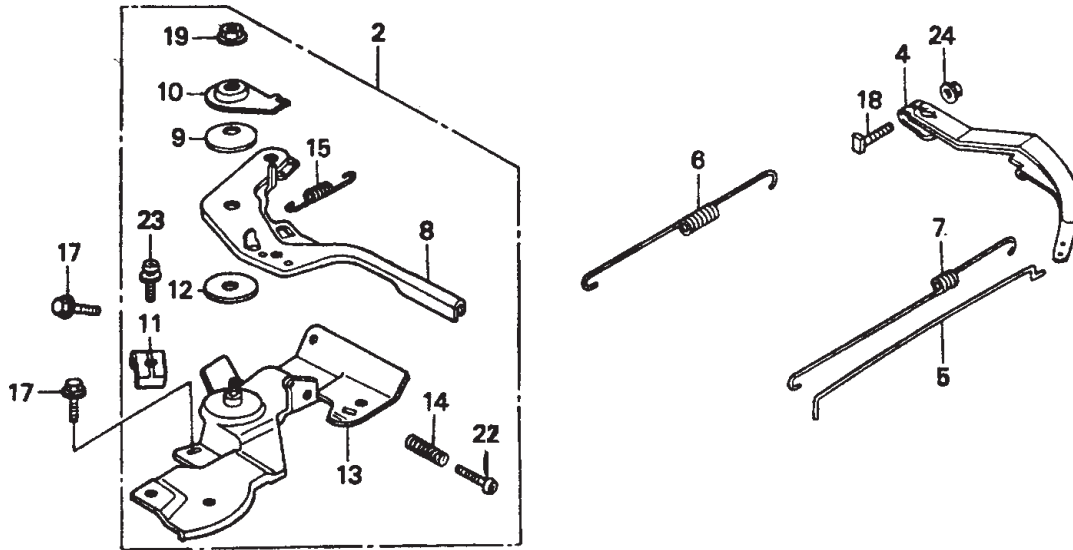
# HONDA GX160K1QMX2HX2 ENGINE — CARBURETOR ASSY.

## CARBURETOR ASSY.

<u>NO</u>	<u>PART NO</u>	<u>PART NAME</u>	<u>QTY.</u>	<u>REMARKS</u>
1*	16010ZE1812	GASKET SET	1	
2*	16011ZE0005	VALVE SET, FLOAT	1	
3*	16013ZE0005	FLOAT SET	1	
4*	16015ZE0831	CHAMBER SET, FLOAT .....	1	INCLUDES ITEMS W/%
5*	16016ZH7W01	SCREW SET	1	
6*%	16024ZE1811	SCREW SET DRAIN	1	
7*	16028ZE0005	SCREW SET B	1	
8*	16044ZE0005	CHOKE SET	1	
9	16100ZH8W51	CARBURETOR ASSY (BE65B) .....	1	INCLUDES ITEMS W/*
10*	16124ZE0005	SCREW, THROTTLE STOP	1	
11*	16166ZH8W50	NOZZLE, MAIN	1	
12*	16955283000	GASKET, FULL STRAINER CUP	1	
13	162111ZE1000	INSULATOR CARBURETOR	1	
14	16212ZH8800	GASKET, INSULATOR	1	
15	16220ZE1020	SPACER COMP. CARBURETOR	1	
16	16221ZH8801	GASKET CARBURETOR	1	
17	16610ZE1000	LEVER COMP., CHOKE (STD) .....	1	INCLUDES ITEMS W/#
18*	16953ZE1406	LEVER VALVE	1	
19*	16954ZE1812	PLATE LEVER SETTING	1	
20*	16956ZE1811	SPRING, PETCOCK LEVER	1	
21*	16957ZE1812	GASKET, PETCOCK	1	
22*	16967ZE0811	CUP, FUEL STRAINER	1	
23*	93500030060H	SCREW, PAN 3X6	2	
24#	9430520122	PIN, SPRING 2X12	1	
25*	99101ZH70650	JET, MAIN #65	1	
	99101ZH70680	JET, MAIN #68	1	
	99101ZH70700	JET, MAIN #70	1	
26*	99204ZE00350	JET SET, PILOT #35	1	

# HONDA GX160K1QMX2HX2 ENGINE — CONTROL ASSY.

CONTROL ASSY.



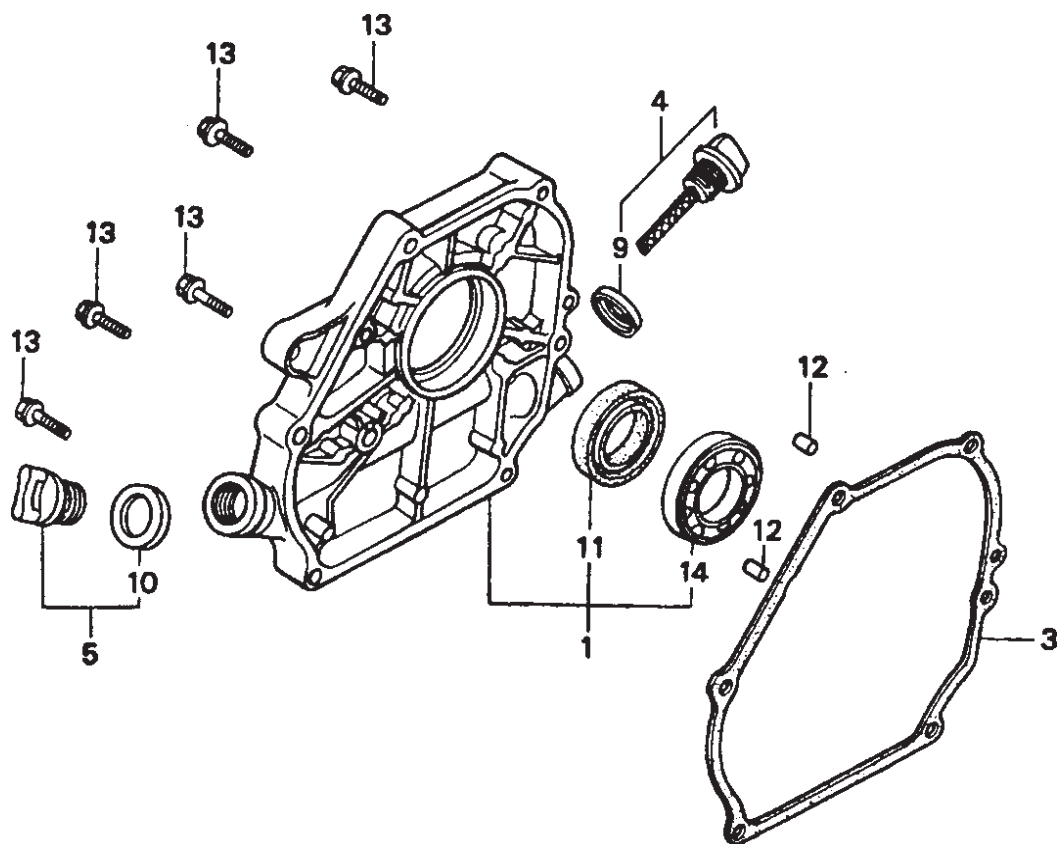
# HONDA GX160K1QMX2HX2 ENGINE — CONTROL ASSY.

## CONTROL ASSY.

<u>NO</u>	<u>PART NO</u>	<u>PART NAME</u>	<u>QTY.</u>	<u>REMARKS</u>
2	16500ZH8821	CONTROL ASSY., REMOTE .....	1	INCLUDES ITEMS W/*
4	16551ZE0010	ARM, GOVERNOR	1	
5	16555ZE1000	ROD, GOVERNOR	1	
6	16561ZE1020	SPRING, GOVERNOR	1	
7	16562ZE1020	SPRING, THROTTLE RETURN	1	
8*	16571ZH8000	LEVER, CONTROL	1	
9*	16574ZE1000	SPRING, LEVER	1	
10*	16575ZH8000	WASHER, CONTROL LEVER	1	
11*	16576891000	HOLDER, CABLE	1	
12*	16578ZE1000	SPACER, CONTROL LEVER	1	
13*	16580ZH8811	BASE COMP., CONTROL	1	
14*	16584883300	SPRING, CONTROL ADJUSTING	1	
15*	16592ZE1810	SPRING, CABLE RETURN	1	
17	90013883000	BOLT, FLANGE (6X12)	2	
18	90015ZE5010	BOLT, GOVERNOR ARM	1	
19*	90114SA0000	NUT, SELF- LOCK (6MM)	1	
22*	93500050250H	SCREW, PAN (5X25)	1	
23*	938930501600	SCREW WASHER (5X16)	1	
24	9405006000	NUT, FLANGE, 6MM	1	

# HONDA GX160K1QMX2HX2 ENGINE — CRANKCASE COVER ASSY.

CRANKCASE COVER ASSY.



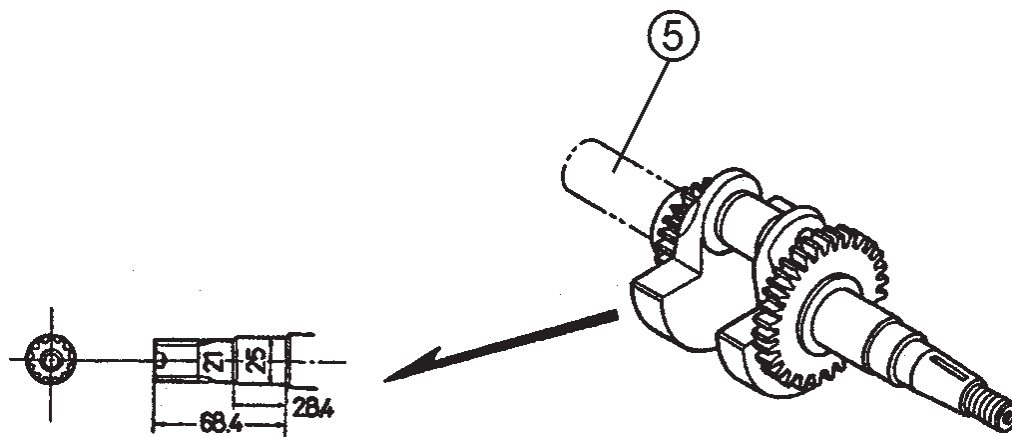
# HONDA GX160K1QMX2HX2 ENGINE — CRANKCASE COVER ASSY.

## CRANKCASE COVER ASSY.

<u>NO</u>	<u>PART NO</u>	<u>PART NAME</u>	<u>QTY.</u>	<u>REMARKS</u>
1	11300ZE1633	COVER ASSY, CRANKCASE (W TYPE) .....	1	INCLUDES ITEMS W/*
3	11381ZH8801	GASKET CASE COVER	1	
4	15600ZE1003	CAP ASSY, OIL FILLER .....	1	INCLUDES ITEMS W/#
5	15600ZG4003	CAP ASSY, OIL FILLER .....	1	INCLUDES ITEMS W/%
9#	15625ZE1003	GASKET, OIL FILLER CAP	1	
10%	15625ZE1003	GASKET, OIL FILLER CAP	1	
11*	91202883005	OIL SEAL, 25X41X6	1	
12	9430108140	PIN A, DOWEL 8X14	2	
13	957010803200	BOLT, FLANGE 8X32	6	
14*	961006205010	BEARING, RADIAL BALL, 6205	1	

# HONDA GX160K1QMX2HX2 ENGINE — CRANKSHAFT ASSY.

CRANKSHAFT ASSY.





# HONDA GX160K1QMX2HX2 ENGINE — CRANKSHAFT ASSY.

CRANKSHAFT ASSY.

<u>NO.</u>	<u>PART NO.</u>	<u>PART NAME</u>	<u>QTY.</u>	<u>REMARKS</u>
5	13310ZE1621	CRANKSHAFT (H-TYPE)	1	



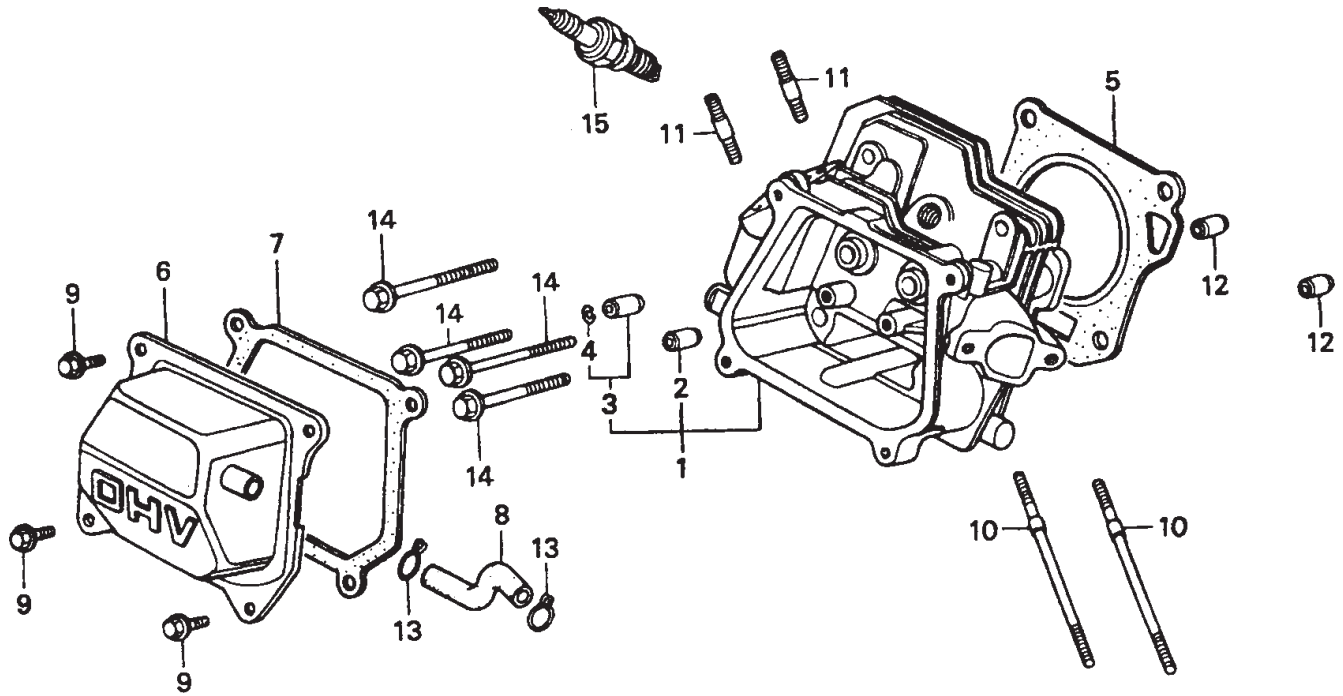
# HONDA GX160K1QMX2HX2 ENGINE — CYLINDER BARREL ASSY.

## CYLINDER BARREL ASSY.

<u>NO</u>	<u>PART NO</u>	<u>PART NAME</u>	<u>QTY.</u>	<u>REMARKS</u>
1	06165ZE1000	GOVERNOR KIT .....	1 .....	INCLUDES ITEMS W/*
2	12000ZH8811	CYLINDER ASSY. BARREL OIL ALERT .....	1 .....	INCLUDES ITEMS W%
3	15510ZE1023	SWITCH ASSY. OIL LEVEL	1	
4*	16510ZE1000	GOVERNOR ASSY. ....	1 .....	INCLUDES ITEMS/W#
5*#	16511ZE1000	WEIGHT, GOVERNOR	2	
7*#	16513ZE1000	PIN, GOVERNOR WEIGHT	2	
8*	16531ZE1000	SLIDER, GOVERNOR	1	
9	16541ZE1000	SHAFT, GOVERNOR ARM	1	
10	90131ZE1000	BOLT, DRAIN PLUG	2	
11*	90451ZE1000	WASHER, THRUST 6MM	1	
12	90601ZE1000	WASHER, DRAIN PLUG 10.2MM	2	
13*	90602ZE1000	CLIP, GOVERNOR HOLDER	1	
14%	91001ZF1003	BEARING, RADIAL BALL(6205)	1	
15%	91202883005	OIL SEAL 25x41x6	1	
16	91353671003	O-RING 14MM ARAI	1	
17	9405010000	NUT, FLANGE 10MM	1	
18*	9410106800	WASHER, PLAIN, 6MM	2	
19	9425108000	PIN, LOCK, 8MM	1	
20	957010601200	BOLT, FLANGE 6 x 12	2	

# HONDA GX160K1QMX2HX2 ENGINE — CYLINDER HEAD ASSY.

CYLINDER HEAD ASSY.



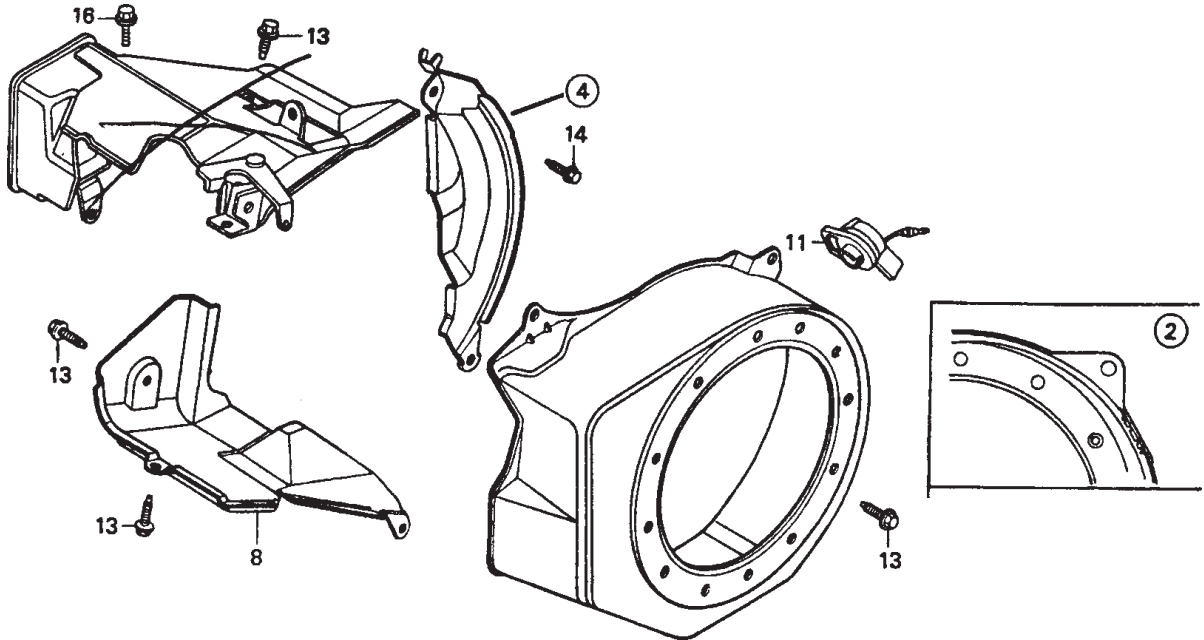
# HONDA GX160K1QMX2HX2 ENGINE — CYLINDER HEAD ASSY.

## CYLINDER HEAD ASSY.

<u>NO</u>	<u>PART NO</u>	<u>PART NAME</u>	<u>QTY.</u>	<u>REMARKS</u>
1	12210ZH8000	CYLINDER HEAD, COMP .....	1 .....	INCLUDES ITEMS W/*
2*	12204ZE1306	GUIDE, IN. VALVE (OVER SIZE)	1	
3*	12205ZE1315	GUIDE, EX. VALVE (OS)	1	
4	12216ZE5300	CLIP, VALVE GUIDE	1	
5	12251ZF1800	GASKET, CYLINDER HEAD	1	
6	12310ZE1010	COVER COMP, HEAD	1	
7	12391ZE1000	GASKET, CYLINDER HEAD COVER	1	
8	15721ZH8000	TUBE, BREATHER	1	
9	90016ZE1000	BOLT, FLANGE 6X13	4	
10	90043ZE1020	BOLT, STUD 6X109	2	
11	90047ZE1000	BOLT, STUD 8X32	2	
12	9430110160	PIN A, DOWEL 10X16	2	
14	957230806000	BOLT, FLANGE 8X60	4	
15	9807956846	PLUG, SPARK (BPR6ES NGK)	1	
	9807956855	PLUG, SPARK (W20EPR-U ND)	1	

# HONDA GX160K1QMX2HX2 ENGINE — FAN COVER ASSY.

FAN COVER ASSY.



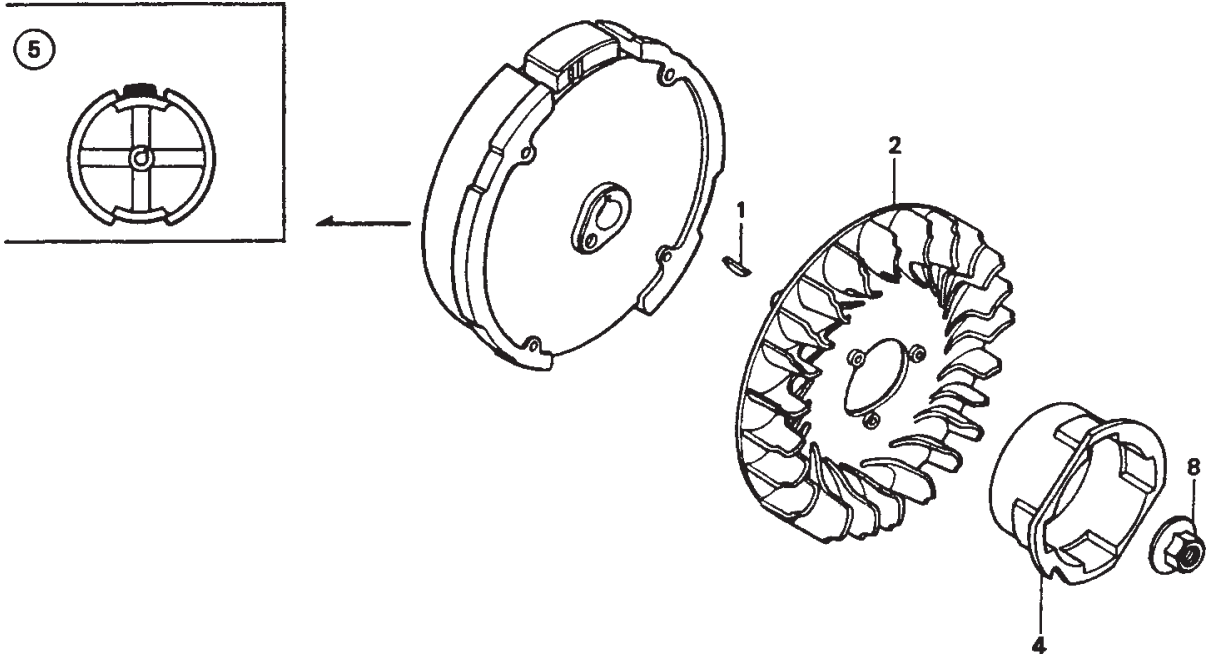
# HONDA GX160K1QMX2HX2 ENGINE — FAN COVER ASSY.

## FAN COVER ASSY.

<u>NO</u>	<u>PART NO</u>	<u>PART NAME</u>	<u>QTY.</u>	<u>REMARKS</u>
2	19610ZE1000ZC	COVER COMP., FAN NH1(BLACK)	1	
4	19612ZH8810	PLATE, SIDE (STD)	1	
7	90601ZH7013	CLIP, HARNESS	1	
8	19630ZH8000	SHROUD COMP.	1	
10	32197ZH8003	SUB-HARNESS	1	
11	36100ZE1015	SWITCH ASSY., ENGINE	1	
14	90022888010	BOLT, FLANGE 6X20	1	

# HONDA GX160K1QMX2HX2 ENGINE — FLYWHEEL ASSY.

FLYWHEEL ASSY.





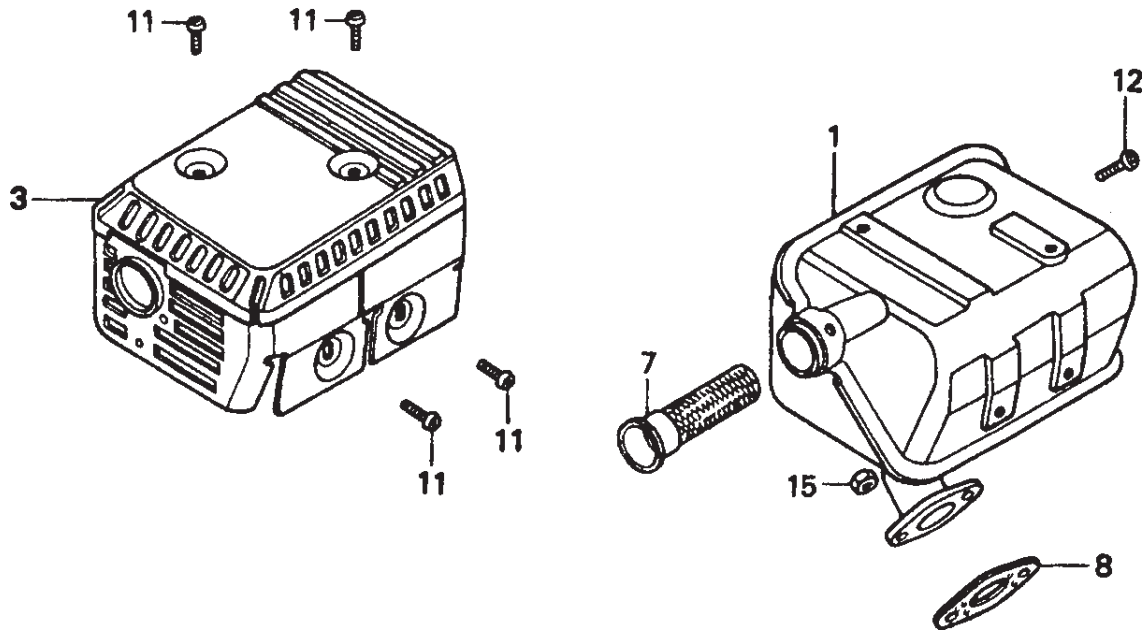
# HONDA GX160K1QMX2HX2 ENGINE — FLYWHEEL ASSY.

## FLYWHEEL ASSY.

<u>NO</u>	<u>PART NO</u>	<u>PART NAME</u>	<u>QTY.</u>	<u>REMARKS</u>
1	13331357000	KEY, SPECIAL WOOD RUFF, 25X18	1	
2	19511ZE1000	FAN, COOLING	1	
4	28451ZH8003	PULLEY STARTER	1	
5	31100ZE1000	FLYWHEEL COMP.	1	
8	90201878003	NUT, SPECIAL, 14MM	1	

# HONDA GX160K1QMX2HX2 ENGINE — MUFFLER ASSY.

MUFFLER ASSY.



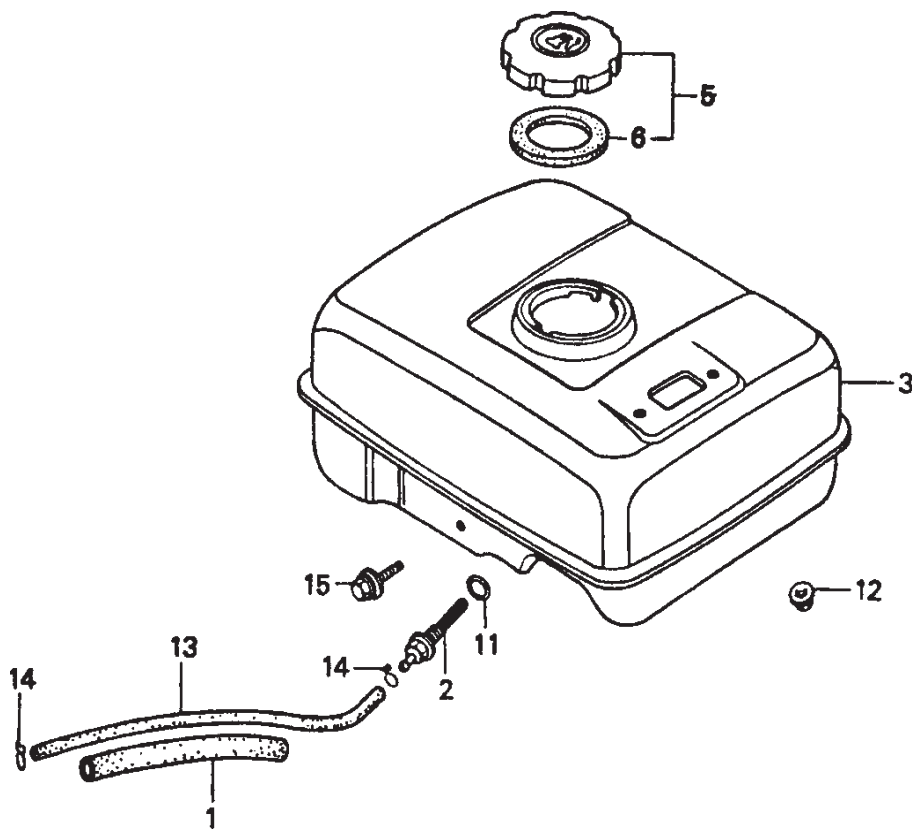
# HONDA GX160K1QMX2HX2 ENGINE — MUFFLER ASSY.

## MUFFLER ASSY.

<u>NO</u>	<u>PART NO</u>	<u>PART NAME</u>	<u>QTY.</u>	<u>REMARKS</u>
1	18310ZH8810	MUFFLER COMP.	1	
3	18320ZF1H01	PROTECTOR, MUFFLER	1	
7	18355ZE1000	ARRESTER, SPARK	1	
8	18381ZH8800	GASKET, MUFFLER	1	
11	90050ZE1000	SCREW, TAPPING 5X8	4	
12	90055ZE1000	SCREW, TAPPING 4X6	1	
15	94001080000S	NUT, HEX (8MM)	2	

# HONDA GX160K1QMX2HX2 ENGINE — FUEL TANK ASSY.

FUEL TANK ASSY.



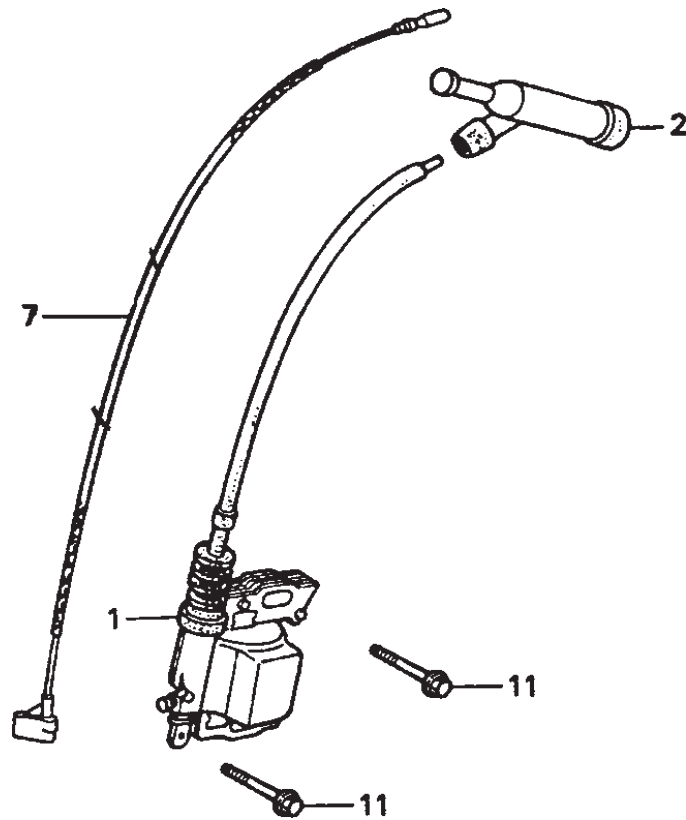
# HONDA GX160K1QMX2HX2 ENGINE — FUEL TANK ASSY.

## FUEL TANK ASSY.

<u>NO</u>	<u>PART NO</u>	<u>PART NAME</u>	<u>QTY.</u>	<u>REMARKS</u>
1	16854ZH8000	RUBBER, SUPPORTER	1	
2	16955ZE1000	JOINT, FUEL TANK	1	
3	17510ZE1020ZF	TANK COMP., FUEL NH1 (BLACK)	1	
5	17620ZH7013	CAP COMP., FUEL FILLER .....	1	INCLUDES ITEMS W/#
6#	17631ZH7003	GASKET, FUEL FILLER CAP	1	
11	91353671003	O-RING (14MM) ARAI	1	
12	9405006000	NUT, FLANGE (6MM)	2	
13	950014500840M	BULK HOSE, FUEL (4.5X8000) (4.5X140)	1	
14	9500202080	CLIP, TUBE (B8)	2	
15	957010602500	BOLT, FLANGE (6X25)	1	

# HONDA GX160K1QMX2HX2 ENGINE — IGNITION COIL ASSY.

IGNITION COIL ASSY.



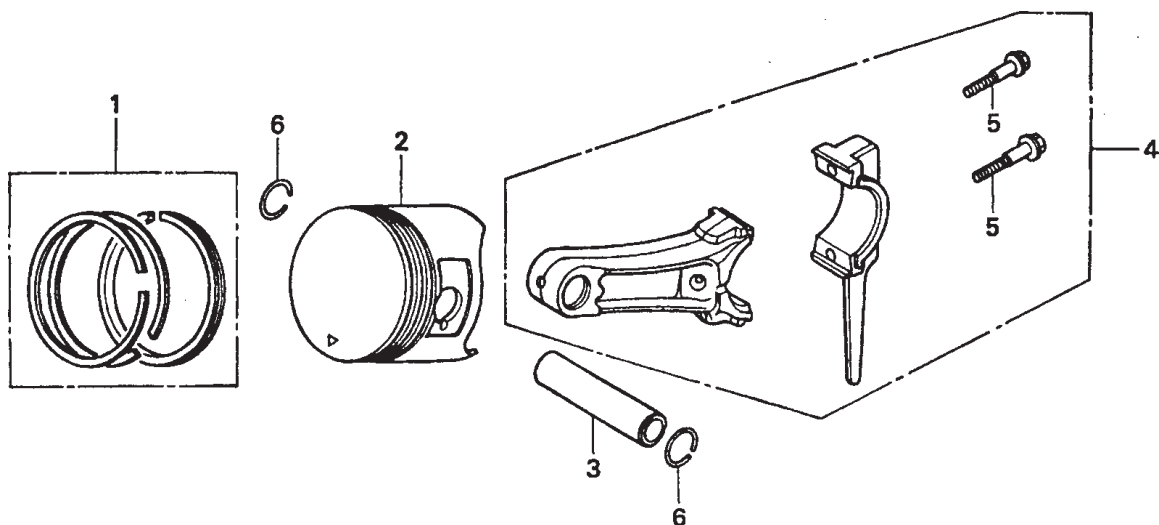
# HONDA GX160K1QMX2HX2 ENGINE — IGNITION COIL ASSY.

## IGNITION COIL ASSY.

<u>NO</u>	<u>PART NO</u>	<u>PART NAME</u>	<u>QTY.</u>	<u>REMARKS</u>
1	30500ZE1033	COIL ASSY., IGNITION	1	
2	30700ZE1013	CAP ASSY., NOISE SUPPRESSOR	1	
7	36101ZE1010	WIRE, STOP SWITCH (370MM)	1	
11	90121952000	BOLT, FLANGE, 6X25	2	

# HONDA GX160K1QMX2HX2 ENGINE — PISTON ASSY.

PISTON ASSY.





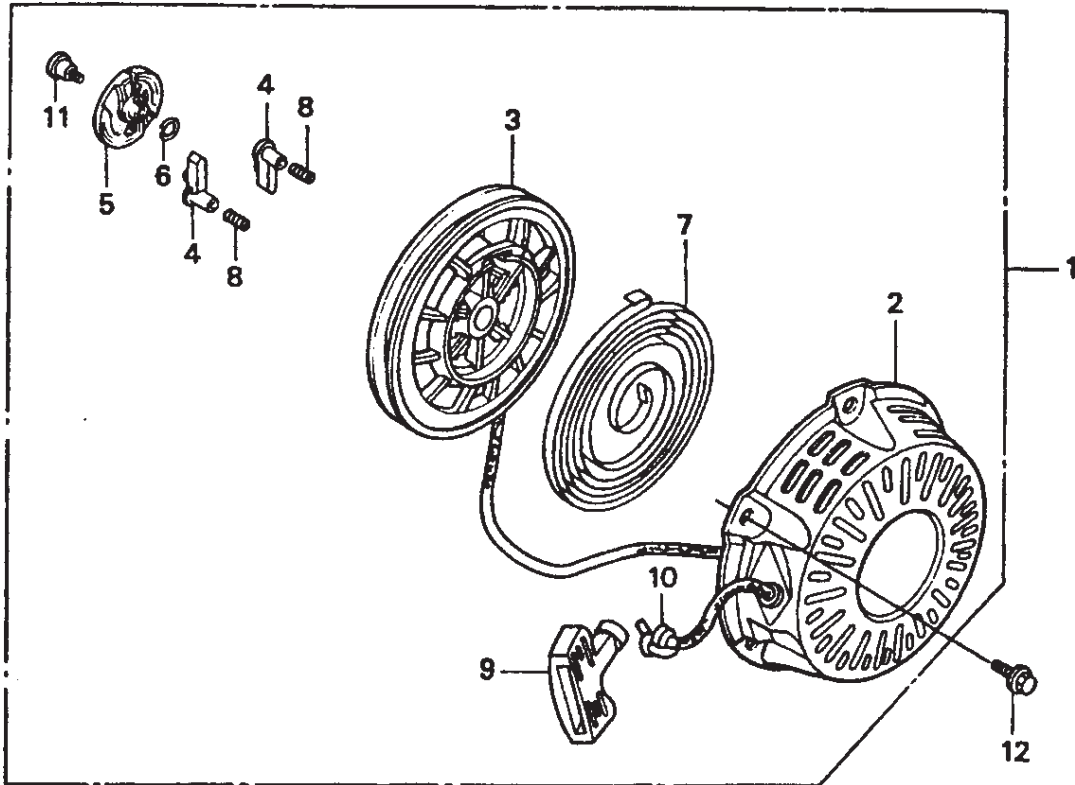
# HONDA GX160K1QMX2HX2 ENGINE — PISTON ASSY.

## PISTON ASSY.

<u>NO</u>	<u>PART NO</u>	<u>PART NAME</u>	<u>QTY.</u>	<u>REMARKS</u>
1	13010ZF1023	RING SET, PISTON (STD)	1	
	13011ZF1023	RING SET, PISTON (0.25)	1	
	13012ZF1023	RING SET, PISTON (0.50)	1	
	13013ZF1023	RING SET, PISTON (0.75)	1	
2	13101ZH8000	PISTON (STD)	1	
	13102ZH8000	PISTON (0.25)	1	
	13103ZH8000	PISTON (0.50)	1	
	13104ZH8000	PISTON (0.75)	1	
3	13111ZE1000	PIN, PISTON	1	
4	132A0ZE1000	ROD ASSY, CONNECTING .....	1	INCLUDES ITEMS W/*
5*	90001ZE1000	BOLT, CONNECTING ROD	2	
6	90551ZE1000	CLIP, PISTON PIN, 18MM	2	

# HONDA GX160K1QMX2HX2 ENGINE — RECOIL STARTER ASSY.

RECOIL STARTER ASSY.



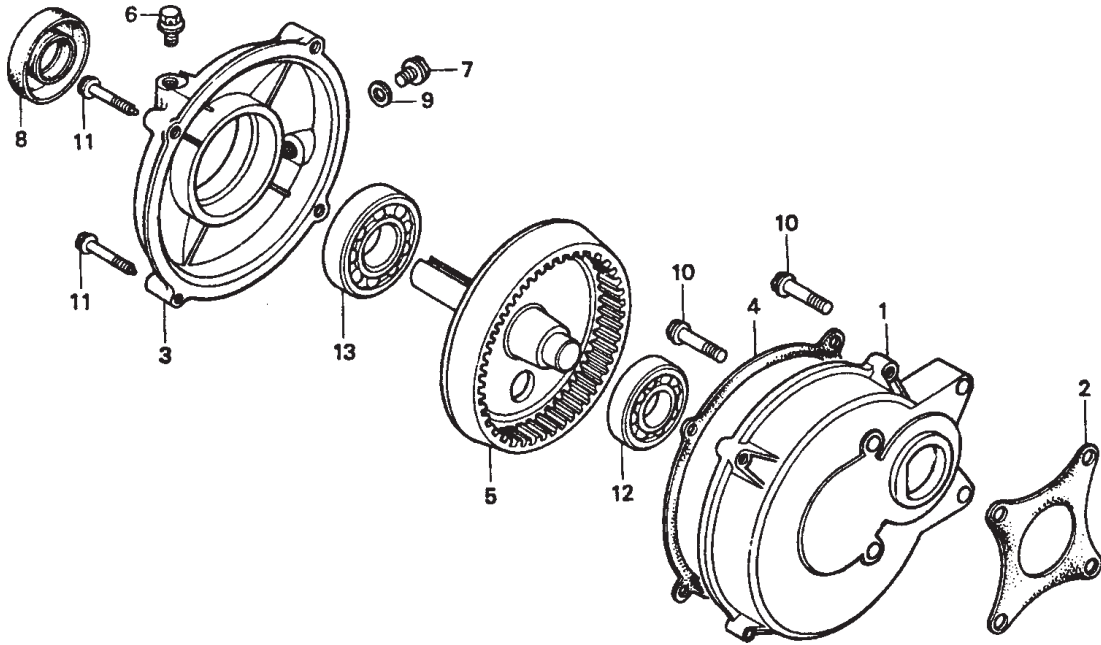
# HONDA GX160K1QMX2HX2 ENGINE — RECOIL STARTER ASSY.

## RECOIL STARTER ASSY.

<u>NO</u>	<u>PART NO</u>	<u>PART NAME</u>	<u>QTY.</u>	<u>REMARKS</u>
1	28400ZH8013ZB	STARTER ASSY, RECOIL NH1(BLACK)	1	INCLUDES ITEMS W/*
2*	28410ZH8003ZB	CASE COMP, RECOIL STARTER	1	
3*	28420ZH8013	REEL, RECOIL STARTER	1	
4*	28422ZH8013	RATCHET, STARTER	2	
5*	28433ZH8003	GUIDE, RATCHET	1	
6*	28441ZH8003	SPRING, FRICTION	1	
7*	28442ZH8003	SPRING, RECOIL STARTER	1	
8*	28443ZH8003	SPRING, RETURN	2	
9*	28461ZH8003	KNOB, RECOIL STARTER	1	
10*	28462ZH8003	ROPE, RECOIL STARTER	1	
11*	90003ZH8003	SCREW, SETTING	1	
12	957010600800	BOLT, FLANGE 6X8	3	

# HONDA GX160K1QMX2HX2 ENGINE — GEAR REDUCTION ASSY.

GEAR REDUCTION ASSY.



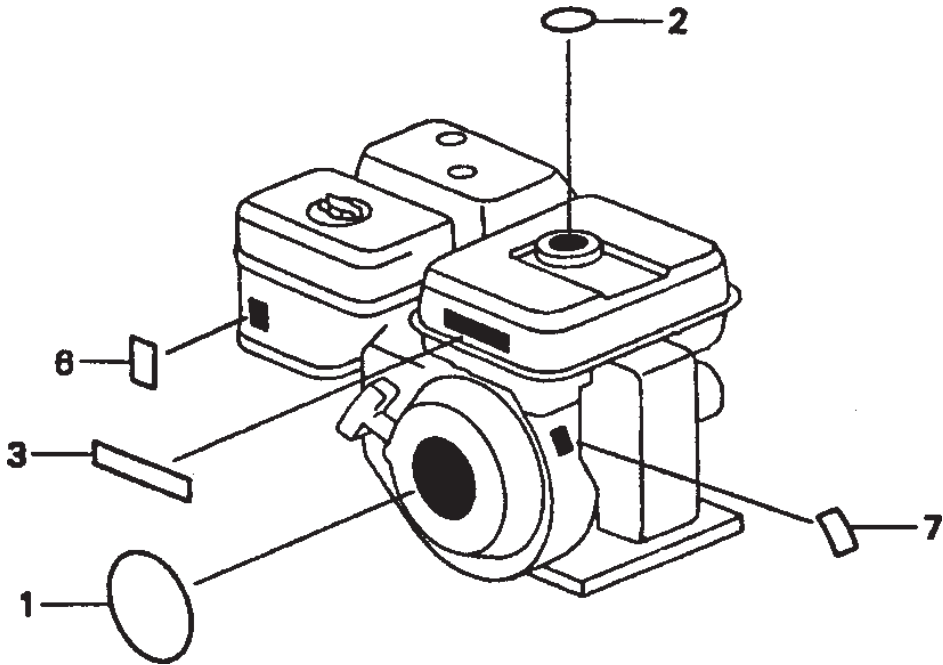
# HONDA GX160K1QMX2HX2 ENGINE — GEAR REDUCTION ASSY.

## GEAR REDUCTION ASSY.

<u>NO.</u>	<u>PART NO.</u>	<u>PART NAME</u>	<u>QTY.</u>	<u>REMARKS</u>
1	21521883741	CASE, REDUCTION	1	
2	21591ZH8740	GASKET, REDUCTION CASE	1	
3	21621883741	COVER, REDUCTION	1	
4	21692ZH8800	GASKET, REDUCTION COVER	1	
5	23710883740	SHAFT, P.T.O.	1	
6	90002883740	BOLT, BREATHING	1	
7	90131883000	BOLT, DRAIN PLUG	1	
8	91202883005	OIL SEAL, 25 x 41 x 6	1	
9	9410912000	WASHER, DRAIN PLUG	1	
10	957010803208	BOLT, FLANGE 8 x 32	1	
11	957010803500	BOLT, FLANGE 8 x 35	1	
12	961006204000	BEARING, RADIAL BALL 6204	1	
13	961006305000	BEARING, RADIAL BALL 6305	1	

**HONDA GX160K1QMX2HX2 ENGINE — LABEL ASSY.**

LABEL ASSY.



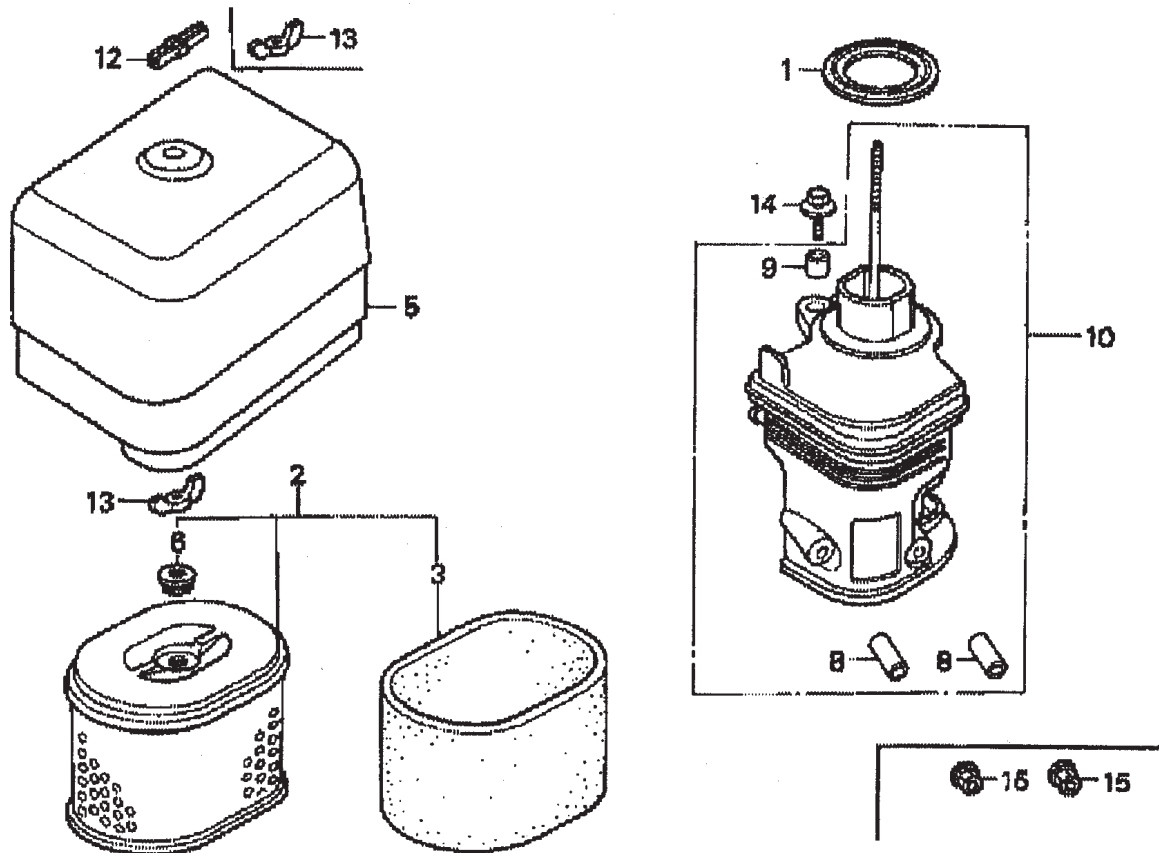
# HONDA GX160K1QMX2HX2 ENGINE — LABEL ASSY.

## LABEL ASSY.

<u>NO</u>	<u>PART NO</u>	<u>PART NAME</u>	<u>QTY.</u>	<u>REMARKS</u>
1	87521ZH8010	EMBLEM, INTERNAL	1	
2	87522ZE1810	MARK, CAUTION EXTERNAL	1	
3	87522ZH9000	LABEL, CAUTION	1	
6	87258ZE1810	MARK, CHOKE	1	
7	87530ZH8810	LABEL, SPECIFICATION EXTERNAL	1	
8	87532ZB4G60	MARK, OIL ALERT G	1	
	87532ZB4H50	MARK, OIL ALERT F	1	
	87532ZH8810	MARK, OIL ALERT E	1	

# HONDA GX240K1HA2 ENGINE — AIR CLEANER ASSY.

AIR CLEANER ASSY.





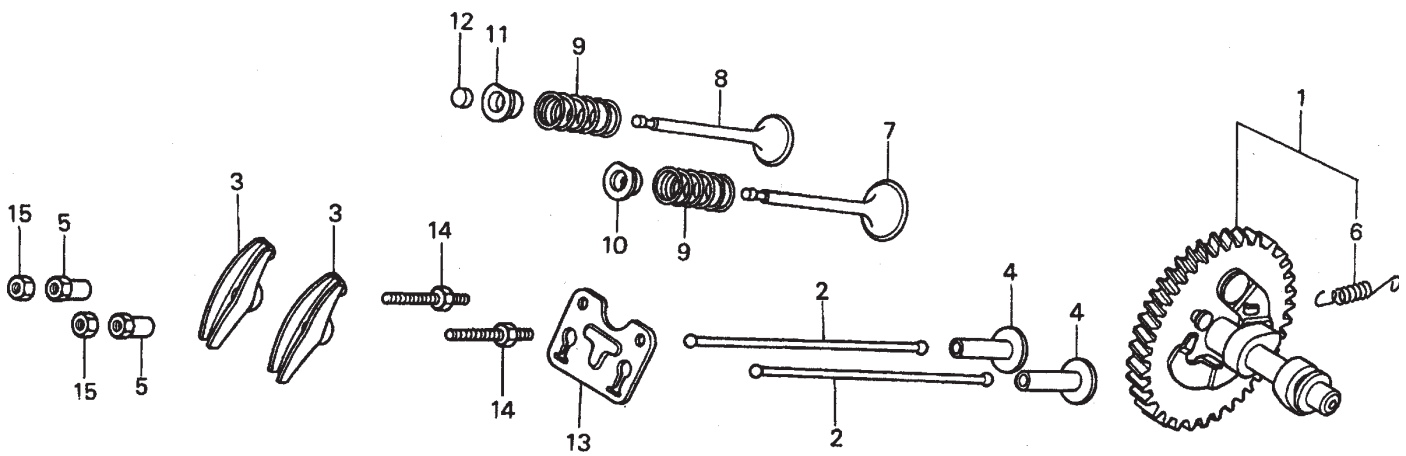
# HONDA GX240K1HA2 ENGINE — AIR CLEANER ASSY.

## AIR CLEANER ASSY.

<u>NO.</u>	<u>PART NO.</u>	<u>PART NAME</u>	<u>QTY.</u>	<u>REMARKS</u>
1	16271ZE2000	GASKET, ELBOW .....	1 .....	INCLUDES ITEM W/*
2	17210ZE2515	ELEMENT, AIR CLEANER, DUAL	1	
3 *	17218ZE2505	FILTER, OUTER	1	
5	17231ZH9820	COVER, AIR CLEANER	1	
6	17232891000	GROMMET, AIR CLEANER	1	
8 #	17238ZE2310	COLLAR, AIR CLEANER	2	
9 #	17239ZE1000	COLLAR B, AIR CLEANER	1	
10	17410ZE2020	ELBOW COMP., AIR CLEANER .....	1 .....	INCLUDES ITEM W/#
12	0037806000	WINGNUT 6MM	1	
13	90325044000	WINGNUT, TOOL BOX SETTING	2	
14	90009ZE2003	BOLT- WASHER 6 X 22	1	
15	9405006000	NUT, FLANGE 6MM	2	

# HONDA GX240K1HA2 ENGINE — CAMSHAFT ASSY.

CAMSHAFT ASSY.



## HONDA GX240K1HA2 ENGINE — CAMSHAFT ASSY.

### CAMSHAFT ASSY.

<u>NO.</u>	<u>PART NO.</u>	<u>PART NAME</u>	<u>QTY.</u>	<u>REMARKS</u>
1	14100ZE2W01	CAMSHAFT ASSY. ....	1	INCLUDES ITEM W/*
1	14100ZE2306	CAMSHAFT	1	
2	14410ZE2013	ROD PUSH	2	
3	14431ZE2010	ARM VALVE ROCKER	2	
4	14441ZE2000	LIFTER VALVE	2	
5	14451ZE1013	PIVOT ROCKER ARM	2	
6*	14568ZE1000	SPRING, WEIGHT RETURN	1	
7	14711ZE2000	VALVE, IN.	1	
8	14721ZE2000	VALVE, EX.	1	
9	14751ZE2003	SPRING, VALVE	2	
10	14771ZE2000	RETAINER, IN. VALVE SPRING	1	
11	14773ZE2000	RETAINER, EX. VALVE SPRING	1	
12	14781ZE2000	ROTATOR, VALVE	1	
13	14791ZE2010	PLATE, PUSH ROD GUIDE	1	
14	90012ZE0010	BOLT, PIVOT 8MM	2	
15	90206ZE1000	NUT, PIVOT ADJ.	2	



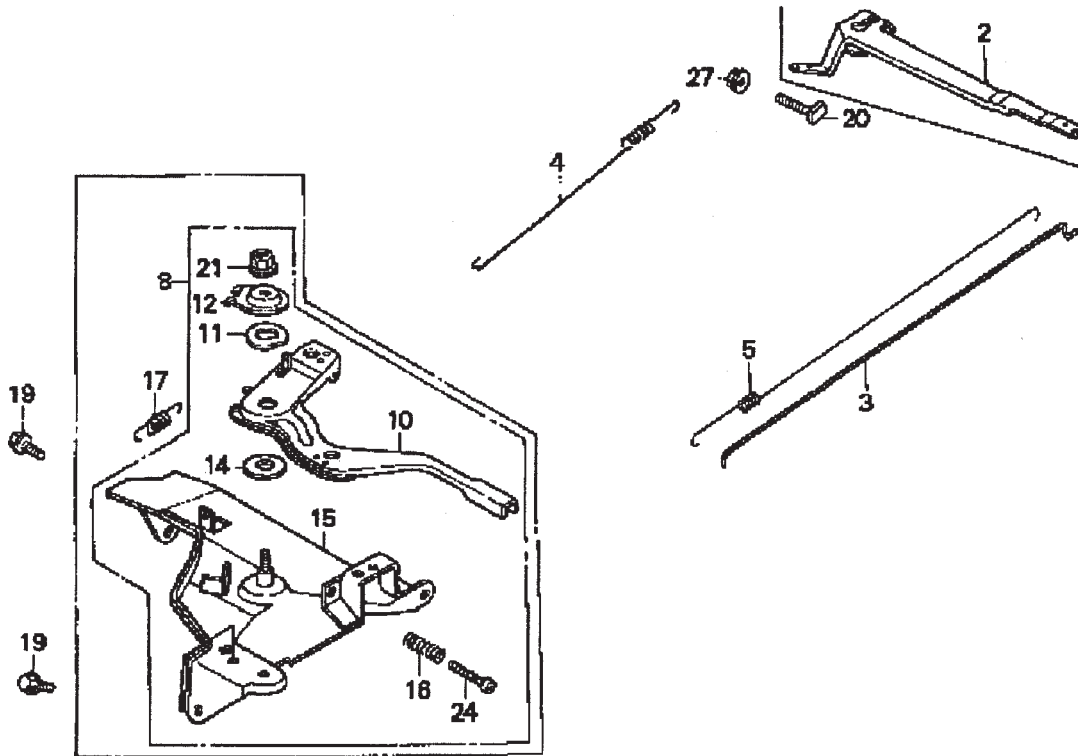
# HONDA GX240K1HA2 ENGINE — CARBURETOR ASSY.

## CARBURETOR ASSY.

<u>NO.</u>	<u>PART NO.</u>	<u>PART NAME</u>	<u>QTY.</u>	<u>REMARKS</u>
1*+	16010ZE2812	GASKET SET	1	
2*	16011ZA0931	VALVE SET, FLOAT	1	
3*	16013ZA0931	FLOAT SET	1	
5*	16016ZHW01	SCREW SET	1	
6*+	16024ZE1811	SCREW SET, DRAIN	1	
7*+	16028ZE0005	SCREW SET B	1	
8*	16028ZE2005	CHOKE SET	1	
9*	16100ZE2W71	CARBURETOR ASSY.....	1	INCLUDES ITEMS W/*
10*	16124ZE0005	SCREW, THROTTLE STOP	1	
11*	16166ZE2W70	NOZZLE, MAIN	1	
12*	16075GHBB00	COLLAR, SET	1	
13*	16075GHBB00	O-RING	1	
14	16211ZE2000	INSULATOR, CARB.	1	
15	16220ZA0702	SPACER COMP., CARB.	1	
16	16221ZA0800	GASKET, CARBURETOR	1	
17	16223ZA0800	GASKET, INSULATOR	1	
18	16610ZE1000	LEVER COMP., CHOKE, STD.	1	
19*	16953ZE1812	LEVER, VALVE	1	
20*	16954ZE1811	PLATE, LEVER SETTING	1	
21*	16956ZE1811	SPRING, VALVE LEVER	1	
22*	16957ZE1812	GASKET, VALVE	1	
23*	16967ZE0811	CUP, FUEL STRAINER	1	
24*	93500030060H	SCREW, PAN 3 X 6	2	
25	9430520122	PIN, SPRING 2 X 12	1	
26*	99101ZH70820	JET, MAIN #82, OPTIONAL	1	
26*	99101ZH70850	JET, MAIN #85, OPTIONAL	1	
26*	99101ZH80880	JET, MAIN #88	1	
27*	99204ZE20400	JET SET, PILOT #40	1	
28*	16015ZE8005	CHAMBER SET, FLOAT .....	1	INCLUDES ITEMS W/+

# HONDA GX240K1HA2 ENGINE — CONTROL ASSY.

CONTROL ASSY.



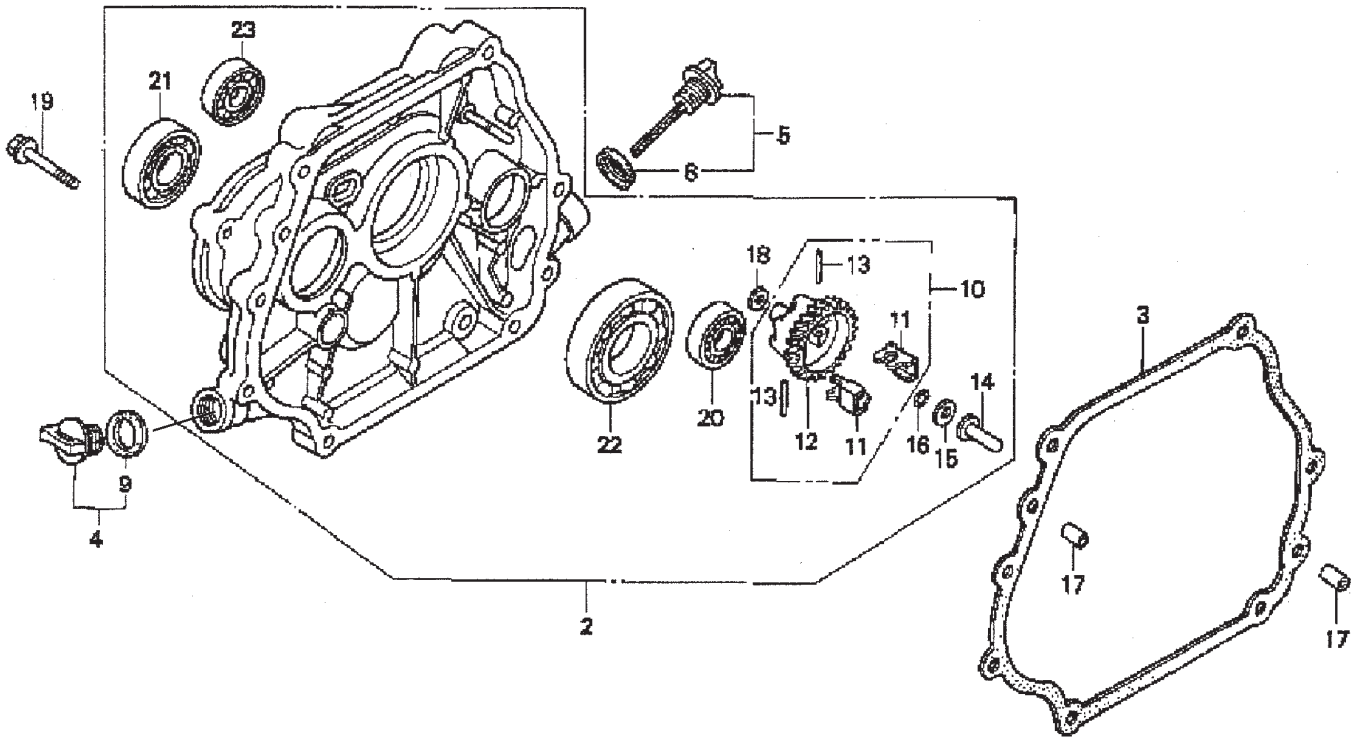
# HONDA GX240K1HA2 ENGINE — CONTROL ASSY.

CONTROL ASSY.

<u>NO.</u>	<u>PART NO.</u>	<u>PART NAME</u>	<u>QTY.</u>	<u>REMARKS</u>
2	16551ZE2000	ARM, GOVERNOR	1	
3	16555ZE2000	ROD, GOVERNOR	1	
4	16561ZE2000	SPRING, GOVERNOR	1	
5	16571ZE2000	SPRING, THROTTLE RETURN	1	
8	16570ZE2W00	CONTROL ASSEMBLY .....	1	INCLUDES ITEMS W/*
10*	16571ZE2W00	LEVER, CONTROL	1	
11*	16574ZE1000	SPRING, LEVER	1	
12*	16575ZE2W00	WASHER, CONTROL LEVER	1	
14*	16578ZE1000	SPACER, CONTROL LEVER	1	
15*	16581ZE2W00	BASE, CONTROL	1	
16*	16584883300	SPRING, CONTROL ADJUSTING	1	
19	90013883000	BOLT, FLANGE (6 X 12) (CT200)	2	
20	90015ZE5010	BOLT, GOVERNOR ARM	1	
21*	90114SA0000	NUT, SELF- LOCK (6MM)	1	
24*	93500050280A	SCREW, PAN (5 X 28)	1	
27	9405006000	NUT, FLANGE	1	

# HONDA GX240K1HA2 ENGINE — CRANKCASE COVER ASSY.

CRANKCASE COVER ASSY.





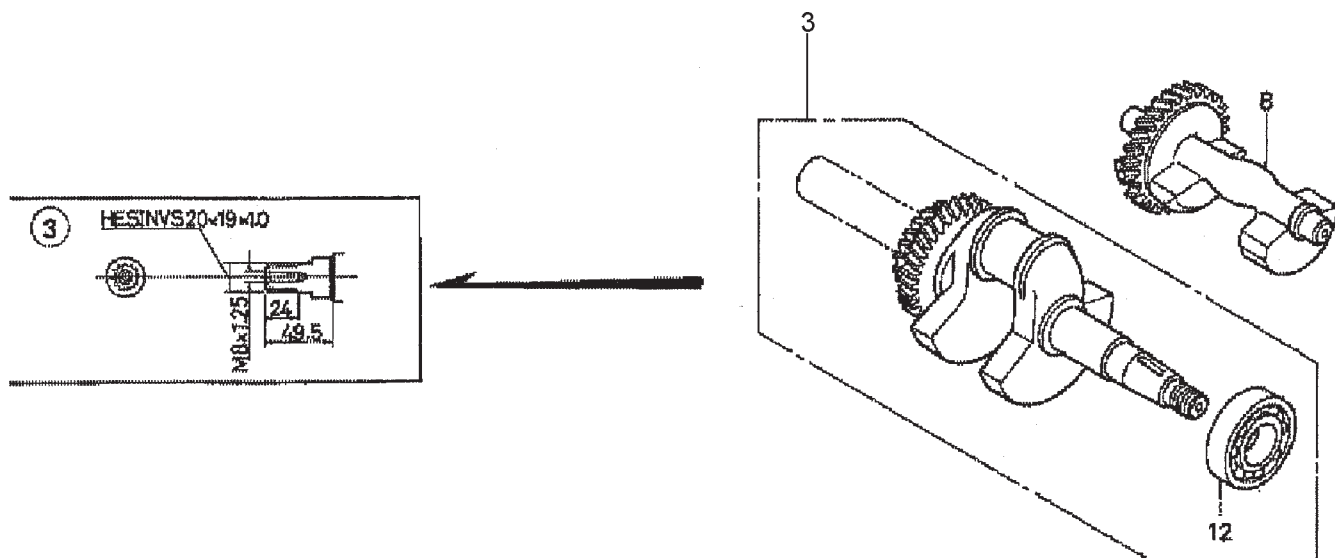
# HONDA GX240K1HA2 ENGINE — CRANKCASE COVER ASSY.

## CRANKCASE COVER ASSY.

<u>NO.</u>	<u>PART NO.</u>	<u>PART NAME</u>	<u>QTY.</u>	<u>REMARKS</u>
2	11400ZE2621	COVER ASSY., CRANKCASE ..... (H-TYPE) (BALANCER)	1 .....	INCLUDES ITEMS W/*
3	11381ZE2801	GASKET, CASE COVER	1	
4	15600ZG4003	CAP ASSY., OIL FILLER .....	1 .....	INCLUDES ITEMS W/#
5	15600735003	CAP ASSY., OIL FILLER .....	1 .....	INCLUDES ITEMS W/%
8%	15625ZE1003	GASKET, OIL FILLER CAP	1	
9#	15625ZE1003	GASKET, OIL FILLER CAP	1	
10	16510ZE2811	GOVERNOR ASSEMBLY (BALANCER) .....	1 .....	INCLUDES ITEMS W/+
11* +	16511ZE2000	WEIGHT, GOVERNOR	2	
12* +	16512ZE2811	HOLDER, GOVERNOR WEIGHT	1	
13* +	16513ZE2000	PIN, GOVERNOR WEIGHT	2	
14*	16531ZE2000	SLIDER, GOVERNOR	1	
15*	90473147000	WASHER (6 X 16)	1	
16*	90602ZE1000	CLIP, GOVERNOR HOLDER	1	
17	90701HC4000	PIN, DOWEL (8 X 12)	2	
18*	58176	WASHER, PLAIN (6MM)	1	
19	957010803500	BOLT, FLANGE (8 X 35)	7	
20*	961006202000	BEARING, RADIAL BALL (6202)	1	
21*	961006204000	BEARING, RADIAL BALL (6204)	1	
22*	961006206000	BEARING, RADIAL BALL (6206)	1	
23*	961006302000	BEARING, RADIAL BALL (6302)	1	

# HONDA GX240K1HA2ENGINE — CRANKSHAFT ASSY.

CRANKSHAFT ASSY.



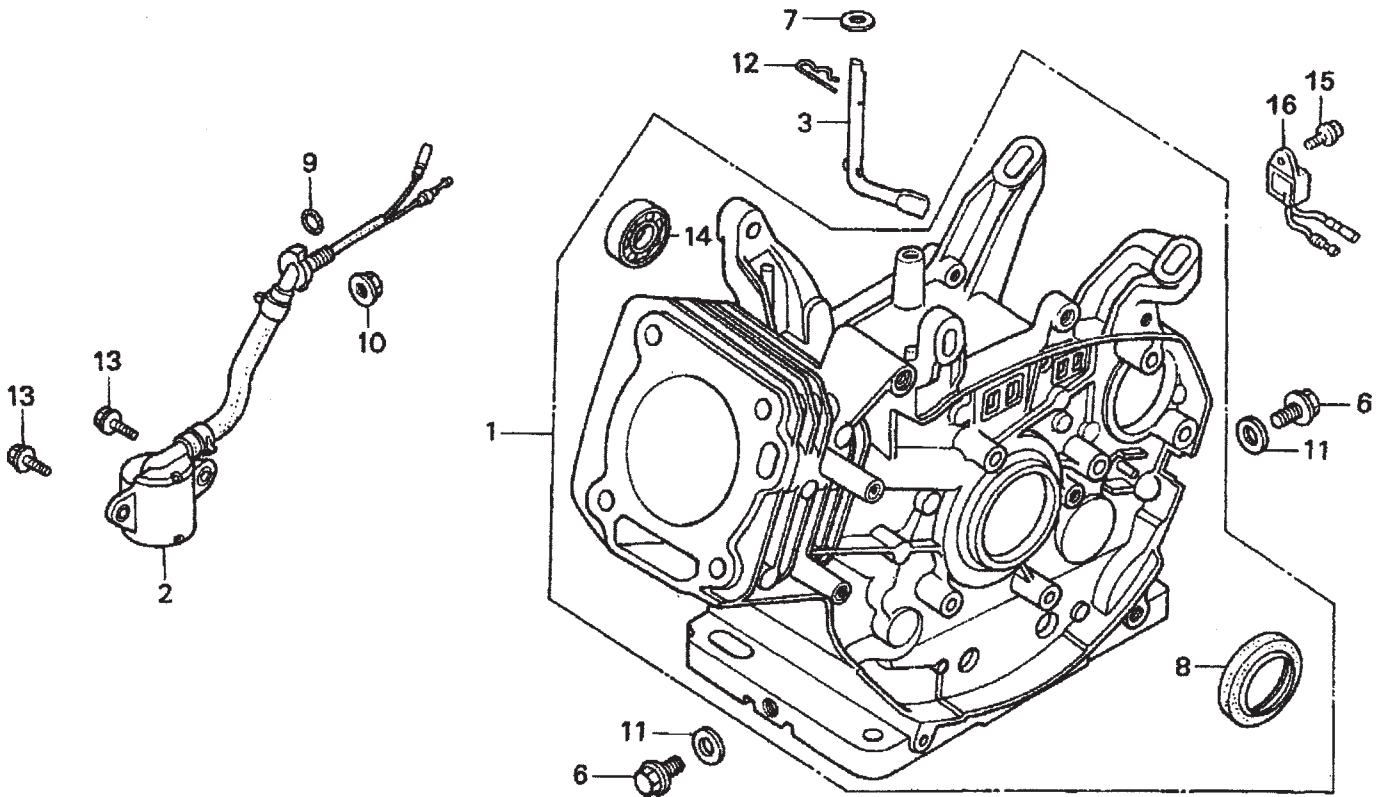
# HONDA GX240K1HA2ENGINE — CRANKSHAFT ASSY.

## CRANKSHAFT ASSY.

<u>NO.</u>	<u>PART NO.</u>	<u>PART NAME</u>	<u>QTY.</u>	<u>REMARKS</u>
3	13320ZE2611	CRANKSHAFT (L-TYPE) .....	1 .....	INCLUDES ITEM W/*
8	13351ZE2010	WEIGHT BALANCER	1	
12*	961006206000	BEARING, RADIAL BALL (6206)	1	

# HONDA GX240K1HA2 ENGINE — CYLINDER BARREL ASSY.

CYLINDER BARREL ASSY.



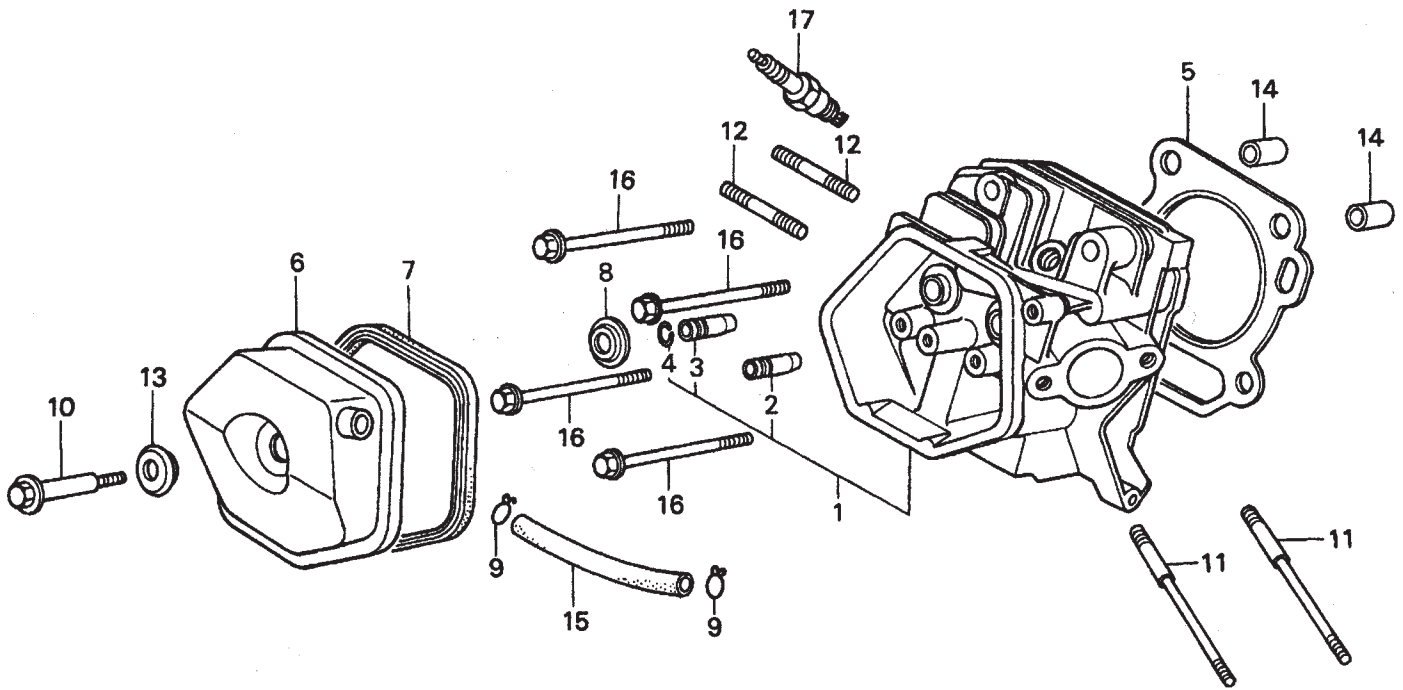
# HONDA GX240K1HA2 ENGINE — CYLINDER BARREL ASSY.

## CYLINDER BARREL ASSY.

<u>NO.</u>	<u>PART NO.</u>	<u>PART NAME</u>	<u>QTY.</u>	<u>REMARKS</u>
1	12000ZE2834	CYLINDER ASSY., BALANCER + OIL ALERT	1	INCLUDES ITEMS W/*
2	15510ZE2043	SWITCH ASSY., OIL LEVEL	1	
3	16541ZE2010	SHAFT, GOVERNOR ARM	1	
6	90131896650	BOLT, DRAIN PLUG	2	
7	90446KE1000	WASHER 8.2 X17X0.8	1	
8*	91201890003	OIL SEAL 30X46X8	1	
9	91353671003	O-RING 14MM ARAI	1	
10	9405010000	NUT FLANGE 10MM	1	
11	031112230	WASHER, DRAIN PLUG 12MM	2	
12	9425110000	PIN, LOCK 10MM	1	
13	957010601200	BOLT, FLANGE 6X12	2	
14*	961006202000	BEARING, RADIAL BALL 6202	1	
15	90013883000	BOLT, FLANGE 6X12 CT200	1	
16	34150ZH7003	ALERT UNIT, OIL	1	

# HONDA GX240K1HA2 ENGINE — CYLINDER HEAD ASSY.

CYLINDER HEAD ASSY.



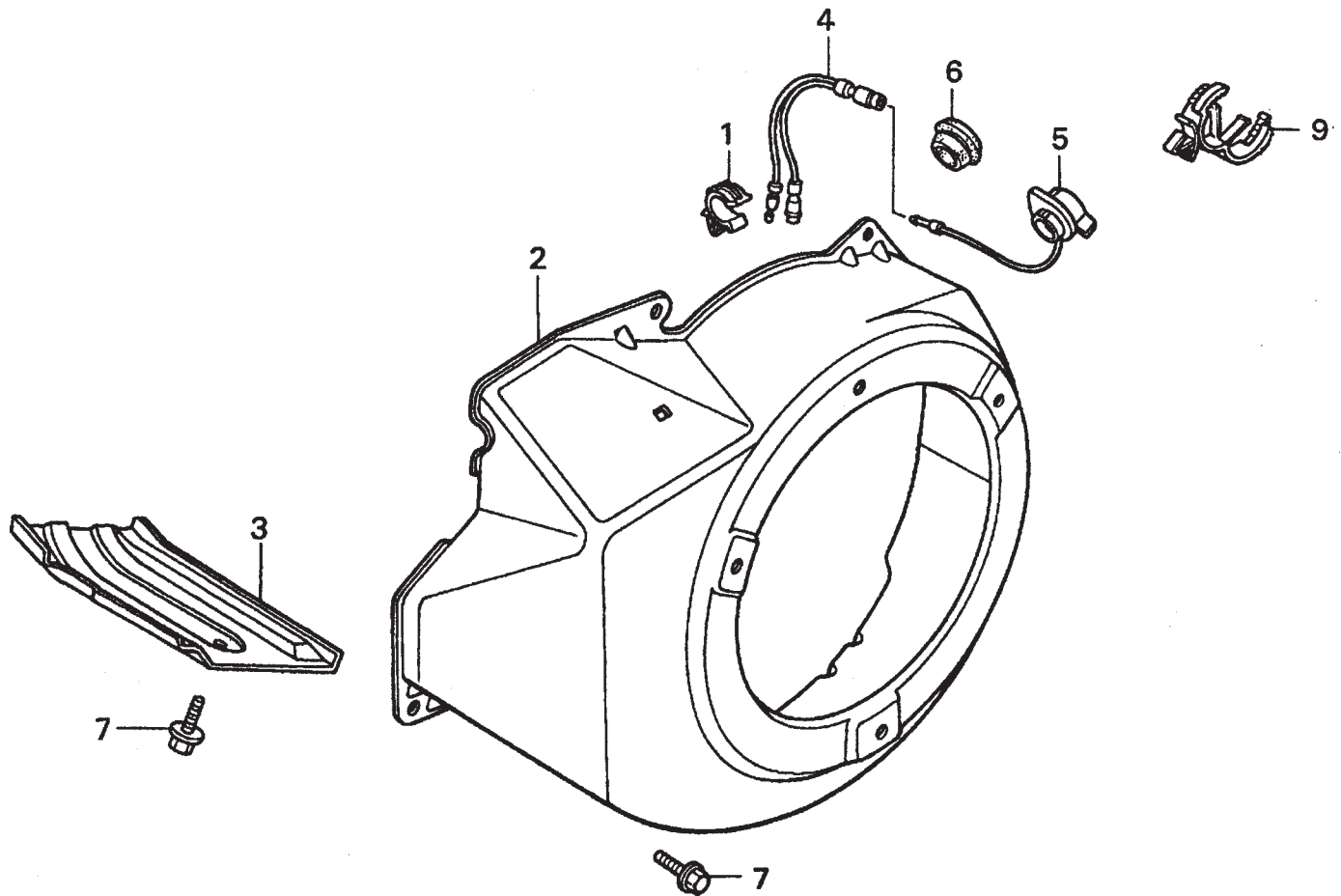
# HONDA GX240K1HA2 ENGINE — CYLINDER HEAD ASSY.

## CYLINDER HEAD ASSY.

<u>NO.</u>	<u>PART NO.</u>	<u>PART NAME</u>	<u>QTY.</u>	<u>REMARKS</u>
1	12200ZH9000	CYLINDER HEAD COMP. ....	1	INCLUDES ITEMS W/*
2*	12204ZE2306	GUIDE, VALVE, OS, OPTIONAL	1	
3*	12205ZE2305	GUIDE, EX. VALVE, OS, OPTIONAL	1	
4*	12216ZE2300	CLIP, VALVE GUIDE	1	
5	12251ZE2800	GASKET, CYLINDER HEAD	1	
6	12310ZE2020	COVER COMP., HEAD	1	
7	12391ZE2020	GASKET, CYLINDER HEAD COVER	1	
8	14775ZE2010	SEAT, VALVE SPRING	1	
10	90014ZE2000	BOLT, HEAD COVER	1	
11	90042ZE2000	BOLT, STUD 8X123	2	
12	92900080320E	BOLT, STUD 8X47	2	
13	90441ZE2010	WASHER COMP., HEAD COVER	1	
14	9430112200	PIN A, DOWEL 12X20	2	
15	950051100130M	BULK HOSE, VACUUM 11X1000, 11X100	1	
16	957011008000	BOLT, FLANGE 10X80	4	
17	9807956846	SPARK PLUG, BPR6ES, NGK	1	
17	9807956855	SPARK PLUG, W20EPR-U, DENSO	1	

# HONDA GX240K1HA2 ENGINE — FAN COVER ASSY.

FAN COVER ASSY.





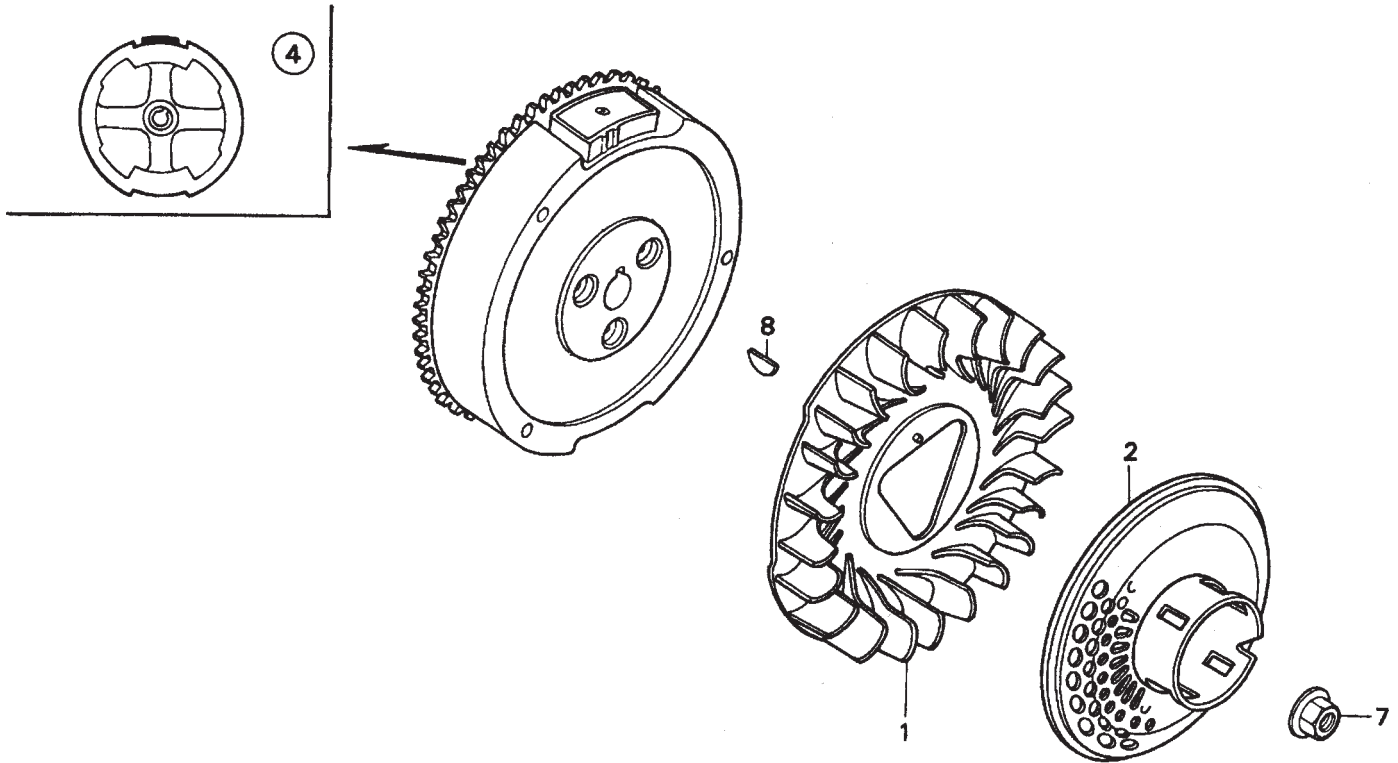
## HONDA GX240K1HA2 ENGINE — FAN COVER ASSY.

FAN COVER ASSY.

<u>NO.</u>	<u>PART NO.</u>	<u>PART NAME</u>	<u>QTY.</u>	<u>REMARKS</u>
1	16731ZE2003	CLIP, TUBE	1	
2	19610ZE2010ZC	COVER COMP., FAN *NH1* BLACK	1	
3	19631ZE2D00	SHROUD	1	
4	32197ZH8003	SUB-HARNESS	1	
5	36100ZE1015	SWITCH ASSY., ENGINE STOP	1	
7	90013883000	BOLT, FLANGE 6X12, CT200	6	
9	90684ZA0601	CLIP, WIRE HARNESS	1	

# HONDA GX240K1HA2 ENGINE — FLYWHEEL ASSY.

FLYWHEEL ASSY.



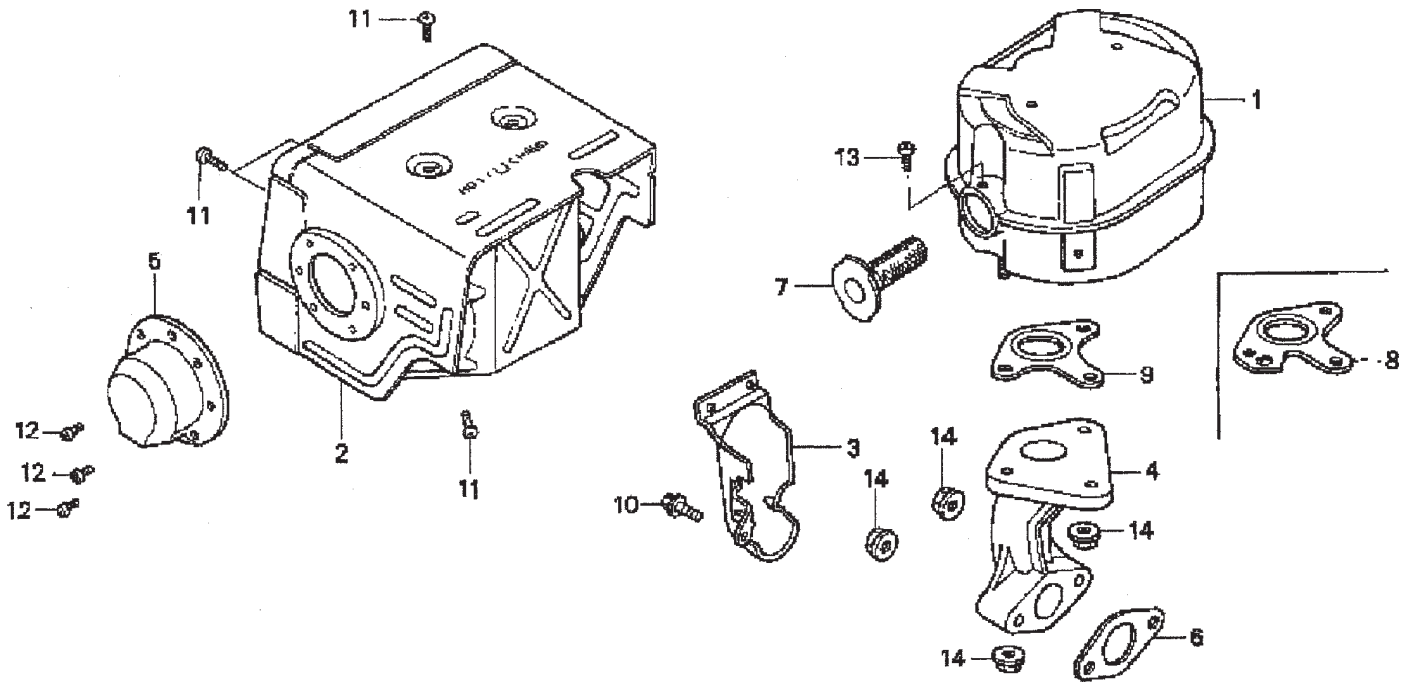
## HONDA GX240K1HA2 ENGINE — FLYWHEEL ASSY.

FLYWHEEL ASSY.

<u>NO.</u>	<u>PART NO.</u>	<u>PART NAME</u>	<u>QTY.</u>	<u>REMARKS</u>
1	19511ZE2000	FAN, COOLING	1	
2	28450ZE2W11	PULLEY COMP., STARTER, SCREEN GRID	1	
4	31100ZE2010	FLYWHEEL COMP.	1	
7	90201ZE3V00	NUT, SPECIAL 16MM	1	
8	90741ZE2000	KEY, SPECIAL WOODRUFF 25X18	1	

# HONDA GX240K1HA2 ENGINE — MUFFLER ASSY.

MUFFLER ASSY.



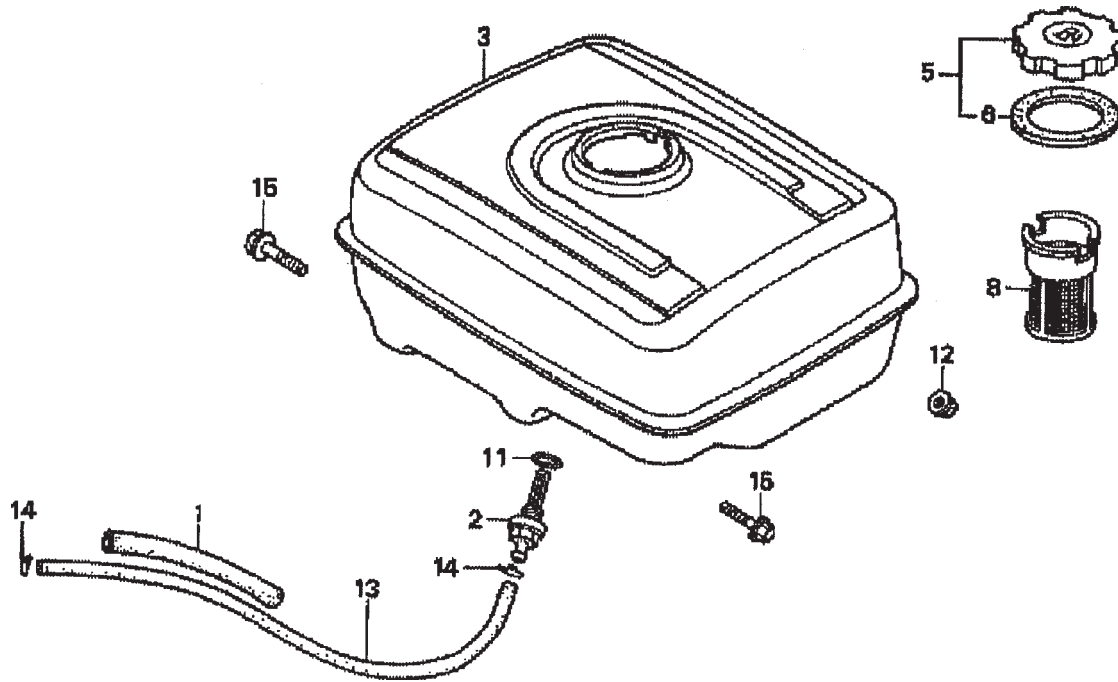
## HONDA GX240K1HA2 ENGINE — MUFFLER ASSY.

### MUFFLER ASSY.

<u>NO.</u>	<u>PART NO.</u>	<u>PART NAME</u>	<u>QTY.</u>	<u>REMARKS</u>
1	18310ZE2W00	MUFFLER	1	
2	18320ZE2W01	PROTECTOR, MUFFLER	1	
3	18323ZE2W00	PROTECTOR, EX. PIPE	1	
4	18330ZE2W00	PIPE, EX.	1	
5	18331ZE2810	CAP, MUFFLER	1	
6	18333ZK6Y00	GASKET, EX. PIPE	1	
7	18355ZE2010	ARRESTER, SPARK	1	
8	18381ZE2W10	GASKET, MUFFLER (ARRESTER)	1	
9	18381ZE2800	GASKET, MUFFLER	1	
10	90013883000	BOLT, FLANGE (6 X 12) (CT200)	1	
11	90050ZE1000	SCREW, TAPPING (5 X 8)	6	
12	90055ZE1000	SCREW, TAPPING (4 X 6)	3	
13	90050ZE1000	SCREW, TAPPING (5 X 8) (OPTIONAL)	1	
14	9405008000	NUT, FLANGE (8MM)	5	

# HONDA GX240K1HA2 ENGINE — FUEL TANK ASSY.

FUEL TANK ASSY.



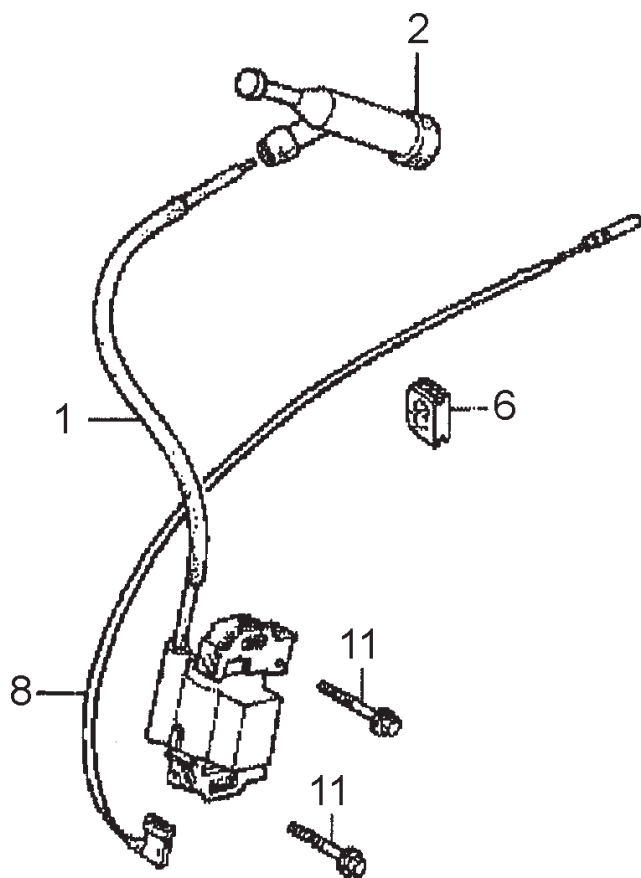
# HONDA GX240K1HA2 ENGINE — FUEL TANK ASSY.

## FUEL TANK ASSY.

<u>NO.</u>	<u>PART NO.</u>	<u>PART NAME</u>	<u>QTY.</u>	<u>REMARKS</u>
1	16854ZH8000	RUBBER SUPPORTER 107MM	1	
2	16955ZE1000	JOINT, FUEL TANK	1	
3	17510ZE2010ZD	TANK COMP., FUEL *NH1*, BLACK	1	
5	17620ZH7023	CAP COMP., FUEL FILLER .....	1	INCLUDES ITEMS W/*
6*	17631ZH7003	GASKET, FUEL FILLER CAP	1	
8	17672ZE2W01	FILTER, FUEL	1	
11	91353671003	O-RING 14MM, ARAI	1	
12	9405008000	NUT, FLANGE 8MM	2	
13	950014500360M	BULK HOSE, FUEL 4.5X3000, 4.5X222	1	
14	9500202080	CLIP, TUBE, B8	2	
15	957010802500	BOLT, FLANGE 8X25	2	

# HONDA GX240K1HA2ENGINE — IGNITION ASSY.

IGNITION COIL ASSY.





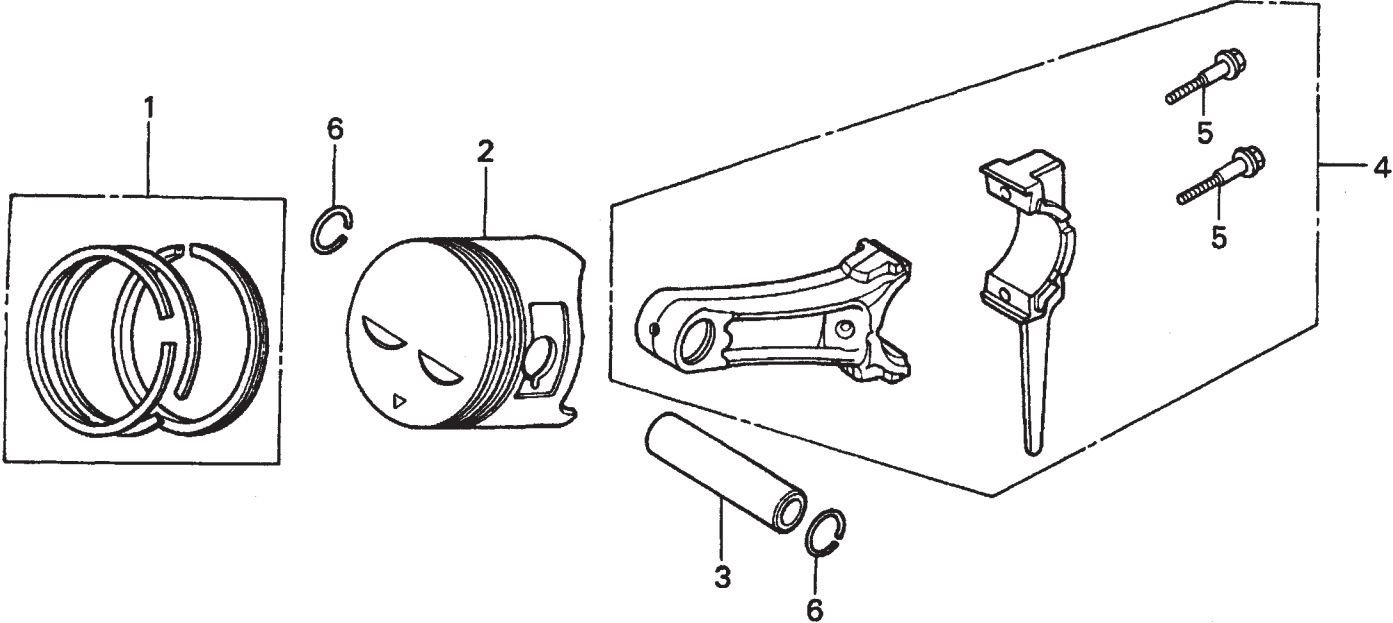
## HONDA GX240K1HA2ENGINE — IGNITION ASSY.

### IGNITION COIL ASSY.

<u>NO.</u>	<u>PART NO.</u>	<u>PART NAME</u>	<u>QTY.</u>	<u>REMARKS</u>
1	30500ZF6W02	COIL ASSY., IGNITION	1	
2	30700ZE1013	CAP ASSY., NOISE SUPPRESSOR	1	
6	31512ZE2000	GROMMET, WIRE	1	
8	36101ZE1010	WIRE, STOP SWITCH 370MM	1	
11	90015883000	BOLT, FLANGE 6X28	2	

# HONDA GX240K1HA2 ENGINE — PISTON ASSY.

PISTON ASSY.



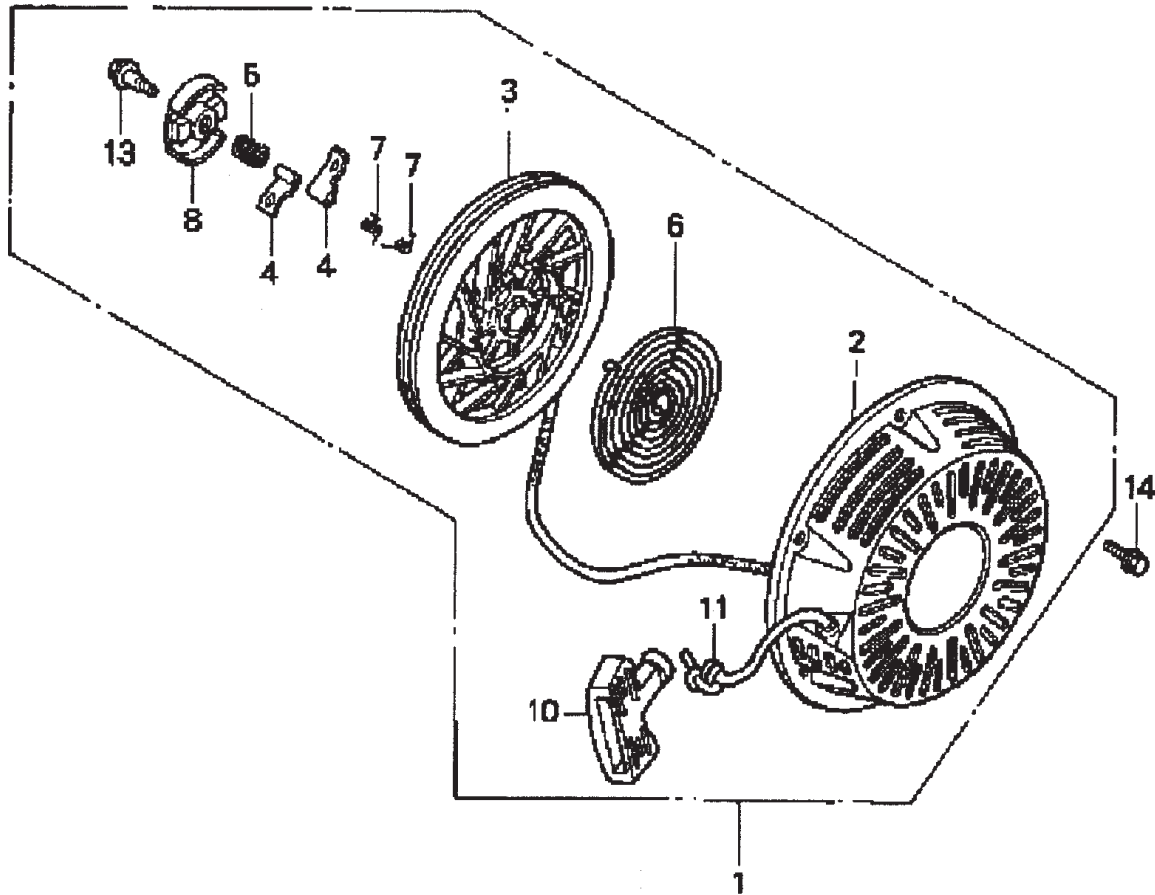
# HONDA GX240K1HA2 ENGINE — PISTON ASSY.

## PISTON ASSY.

<u>NO.</u>	<u>PART NO.</u>	<u>PART NAME</u>	<u>QTY.</u>	<u>REMARKS</u>
1	13010ZE2013	RING SET, PISTON, STD.	1	
1	13011ZE2013	RING SET, PISTON, OS 0.25, OPTIONAL	1	
1	13012ZE2013	RING SET, PISTON, OS 0.50, OPTIONAL	1	
1	13013ZE2013	RING SET, PISTON, 0.75, OPTIONAL	1	
2	13101ZE2W00	PISTON, STANDARD	1	
2	13102ZE2W00	PISTON, OS 0.25, OPTIONAL	1	
2	13103ZE2W00	PISTON, OS 0.50, OPTIONAL	1	
2	13104ZE2W00	PISTON, 0.75, OPTIONAL	1	
3	13111ZE2000	PIN, PISTON	1	
4	13200ZE2000	ROD ASSY., CONNECTING STANDARD .....	1	INCLUDES ITEMS W/*
4	13200ZE2305	ROD ASSY., CONNECTING, US 0.25, OPT.	1	
5*	90001ZE8000	BOLT, CONNECTING ROD	2	
6	90551ZE1000	CLIP, PISTON PIN 18MM	2	

# HONDA GX240K1HA2 ENGINE — RECOIL STARTER ASSY.

RECOIL STARTER ASSY.



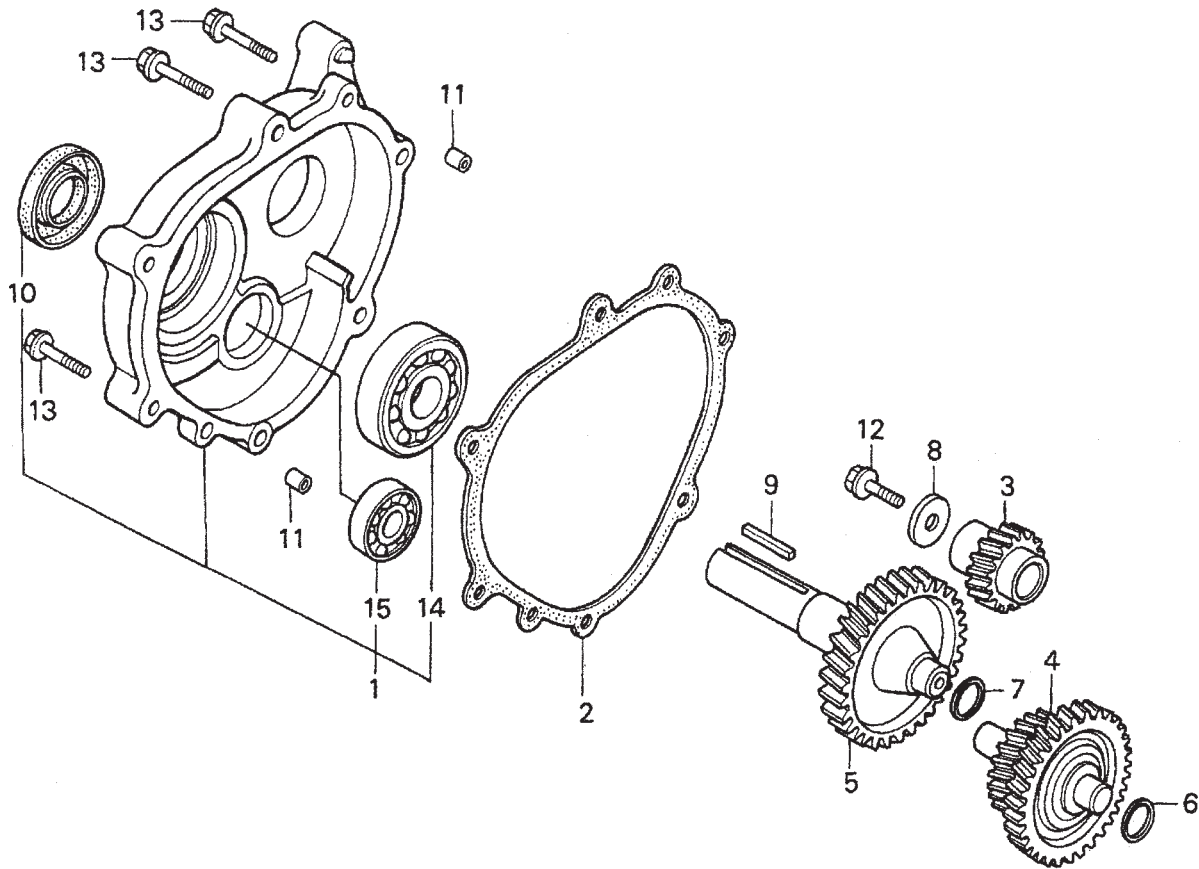
# HONDA GX240K1HA2 ENGINE — RECOIL STARTER ASSY.

## RECOIL STARTER ASSY.

<u>NO.</u>	<u>PART NO.</u>	<u>PART NAME</u>	<u>QTY.</u>	<u>REMARKS</u>
1	28400ZE2W01ZB	STARTER ASSY., RECOIL *NH1*, BLK .....	1 .....	INCLUDES ITEMS W/*
2*	28410ZE2W01ZB	CASE COMP., RECOIL STARTER *NH1*, BLK	1	
3*	28421ZE2W01	PULLEY, RECOIL STARTER	1	
4*	28422ZE2W01	RATCHET, STARTER	2	
5*	28441ZE2W01	SPRING, FRICTION	1	
6*	28442ZE2W01	SPRING, STARTER RETURN	1	
7*	28443ZE2W01	SPRING RATCHET	2	
8*	28444ZE2W01	RETAINER, SPRING	1	
10*	28461ZE2W02	GRIP, STARTER	1	
11*	28462ZE2W11	ROPE, RECOIL STARTER	1	
13*	90004ZE2W01	SCREW, CENTER	1	
14	90008ZE2003	BOLT, FLANGE 6X10	3	

# HONDA GX240K1HA2 ENGINE — GEAR REDUCTION ASSY.

GEAR REDUCTION ASSY.



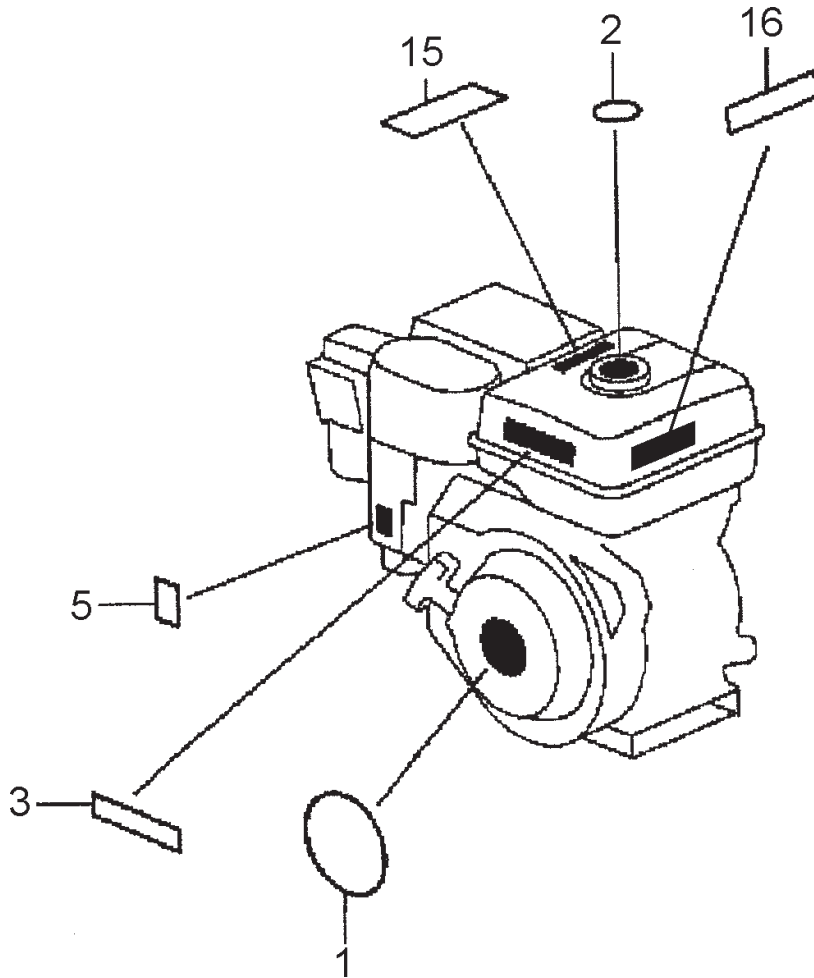
# HONDA GX240K1HA2 ENGINE — GEAR REDUCTION ASSY.

## GEAR REDUCTION ASSY.

<u>NO.</u>	<u>PART NO.</u>	<u>PART NAME</u>	<u>QTY.</u>	<u>REMARKS</u>
1	11500ZE2620	COVER ASSY, REDUCTION CASE .....	1 .....	INCLUDES ITEMS W/*
2	11521ZE2800	GASKET, CHAIN CASE COVER	1	
3	22103ZE2620	GEAR, PRIMARY DRIVE (17T)	1	
4	23220ZE2621	COUNTERSHAFT	1	
5	23710ZE2621	SHAFT, P.T.O. (H- TYPE)	1	
6	90401ZE2620	SHIM A (OPTIONAL)	AR	
7	90402ZE2620	SHIM B (OPTIONAL)	AR	
8	90473842000	WASHER (8MM)	1	
9	90745ZE2600	KEY (6.3 X 6.3 X 43)	1	
10*	91201890003	OIL SEAL (30 X 46 X 8)	1	
11	9430108140	PIN A, DOWEL ( 8 X 14)	2	
12	957010802500	BOLT, FLANGE (8 X 25)	1	
13	957010804000	BOLT, FLANGE (8 X 40)	6	
14*	961006206000	BEARING, RADIAL BALL (6206)	1	
15*	961006302000	BEARING, RADIAL BALL (6302)	1	

# HONDA GX240K1HA2 ENGINE — LABEL ASSY.

LABEL ASSY.





## HONDA GX240K1HA2 ENGINE — LABEL ASSY.

### LABELS ASSY.

<u>NO.</u>	<u>PART NO.</u>	<u>PART NAME</u>	<u>QTY.</u>	<u>REMARKS</u>
1	87521ZE2W01	EMBLEM, INTERNAL	1	
2	87522ZE1810	MARK, CAUTION, EXTERNAL	1	
3	87522ZH9000	LABEL, CAUTION	1	
5	87528ZE2810	MARK, CHOKE, EXTERNAL	1	
15	87586ZH7W00	LABEL, FUEL CAUTION	1	
16	87532ZH8810	MARK, OIL ALERT	1	



A DIVISION OF MULTIQUIP INC.

## Terms And Conditions Of Sale STOW Construction Equipment

### PAYMENT TERMS

Terms of payment for unit sales are 2% 15 days net 30 days from date of invoice unless otherwise specifically stated on our invoice. Parts invoices have terms of net 10 days. **Minimum parts billing is \$15.00 net.**

Applicable discounts will be computed on merchandise value only. Late charges will be assessed at prevailing rates. Cash discounts cannot be taken on current billings if any previously billed amounts are past due.

### FREIGHT POLICY

Freight policy is established to offer customers every advantage possible. Due to bulk freight ratings on some equipment and other shipping considerations, freight policies differ by equipment type. Actual back freight may be charged for shipments originating from other than specified FOB warehouses. **See Freight Policy for details.**

All STOW domestic sales are FOB nearest available designated MQ/STOW warehouse. Export orders are ex-works factory located in Carson, CA or Boise, ID.

Additions to orders already shipped cannot be accepted for freight minimums.

Should STOW elect to make partial shipments of an order originally complying with the "freight allowed" requirements, transportation charges will be absorbed by STOW on any subsequent shipment applying to that order.

All other orders will be shipped collect or prepaid with charges added to the invoice. STOW's responsibility ceases when a signed manifest has been obtained from the carrier, and any claim for shortage or damage must be settled between the consignee and the carrier.

**Parts:** FOB Carson, California or Boise, Idaho. **See Freight Policy for details and additional discounts.**

### DROP SHIPMENTS

STOW reserves the right to refuse Drop Shipments outside the normal service area of the purchasing dealer.

### FIELD WAREHOUSES

Field Warehouses are currently located in California, Georgia, Idaho, Iowa, and New Jersey

### SPECIAL EXPEDITING SERVICE

The higher of a \$35.00 surcharge or actual costs will be added to the invoice for special handling, including bus shipments, or in cases where STOW personnel must personally deliver the equipment or parts to the carrier.

### RETURNED GOODS POLICY

Return shipments may be accepted and credit allowed, subject to the following provisions.

1. A Returned Material Authorization (RMA) must be approved by STOW prior to shipment. Approvals for returned goods must be with just cause and are at the sole discretion of STOW. A copy of the Authorization must accompany the shipment to the designated Warehouse.
2. Parts being returned must be listed as currently supplied on the current parts list.
3. Parts must be in new and resalable condition in the original package, with part numbers clearly marked.
4. Units and accessories must be current models in the latest price list and in new and resalable condition.
5. Special order items are not returnable for credit.
6. Credit on returned parts and units will be issued at actual dealer net price at time of purchase less 15% restocking charge.
7. All returned shipments are to be made to the STOW designated receiving point, freight prepaid at the sender's expense.

The sender will be notified of any material received that does not meet the above provisions. Such material will be held for 30 days from notification pending instructions. If a reply is not received within 30 days, the material will be returned to the sender at his expense with no credit issued.

### PRICING, REBATES AND SPECIFICATIONS

Every effort will be made to provide adequate notice of changes; however, prices and equipment specifications are subject to change without notice.

Price changes are effective on a specific date and all orders received on or after that date will be billed at the revised price.

Rebates for price reductions and added charges for price increases will not be made for stock in dealer inventory at the time of a price change.

STOW reserves the right to quote and sell direct to Government agencies and to Original Equipment Manufacturer accounts who use our products as integral parts of their own products.

### LIMITATION OF SELLER'S LIABILITY

STOW shall not be liable hereunder for damages in excess of the purchase price of the item with respect to which damages are claimed and in no event shall STOW be liable for loss of profit or good will or for any other special, consequential or incidental damages.

### LIMITATION OF WARRANTIES

There are no warranties, express or implied, made by STOW hereunder on Products manufactured or distributed by it except the warranty against defects in material and workmanship on new Products to the original purchaser, as set forth in the STOW New Product Limited Warranty.

Effective: July 15, 2003



A DIVISION OF MULTIQUIP INC.

Atlanta • Boise • Newark • Quebec, Canada  
Manchester, UK • Rio de Janeiro, BR • Puebla, MX

**STOW CONSTRUCTION EQUIPMENT**

POST OFFICE BOX 6254  
CARSON, CALIFORNIA 90749  
310-661-4242 • 877-BUY-STOW  
FAX: 310-604-9237

E-MAIL: [stow@stowmfg.com](mailto:stow@stowmfg.com)  
[www.stowmfg.com](http://www.stowmfg.com)



# OPERATION AND PARTS MANUAL

## HERE'S HOW TO GET HELP

PLEASE HAVE THE MODEL AND SERIAL  
NUMBER *ON-HAND* WHEN CALLING

### ***PARTS DEPARTMENT***

800-427-1244      FAX: 800-672-7877

310-537-3700      FAX: 310-637-3284

800-478-1244      FAX: 310-537-4259

310-537-3700

800-478-1244      FAX: 310-631-5032

800-421-1244, EXT. 279      FAX: 310-537-1173

310-537-3700, EXT. 279

310-661-4242      FAX: 310-604-9237

877-289-7869 (877-BUY-STOW)

© COPYRIGHT 2007, MULTIQUIP INC.

Multiquip Inc, and the STOW logo are registered trademarks of Multiquip Inc. and may not be used, reproduced, or altered without written permission. All other trademarks are the property of their respective owners and used with permission.

This manual MUST accompany the equipment at all times. This manual is considered a permanent part of the equipment and should remain with the unit if resold.

The information and specifications included in this publication were in effect at the time of approval for printing. Illustrations, descriptions, references and technical data contained in this manual are for guidance only and may not be considered as binding. Multiquip Inc. reserves the right to discontinue or change specifications, design or the information published in this publication at any time without notice and without incurring any obligations.

Your Local Dealer is:

# STOW

A DIVISION OF MULTIQUIP INC.  
Atlanta • Boise • Newark • Quebec, Canada  
Manchester, UK • Rio de Janeiro, BR • Puebla, MX

### **MQ STOW CONSTRUCTION EQUIPMENT**

A DIVISION OF MULTIQUIP INC.

POST OFFICE BOX 6254

CARSON, CA 90749

310-537-3700 • 888-252-MQ STOW [888-252-7869]

FAX: 310-537-1986 • FAX: 800-556-1986

E-MAIL: MQ STOW@multiquip.com • WWW: stowmfg.com