

OPERATION AND PARTS MANUAL

STOW

A DIVISION OF MULTIQUIP INC.

MODEL SFG10E ELECTRIC SURFACE GRINDER

Revision #1 (07/16/07)

To find the latest revision of this
publication, visit our website at:
www.multiquip.com



THIS MANUAL MUST ACCOMPANY THE EQUIPMENT AT ALL TIMES.

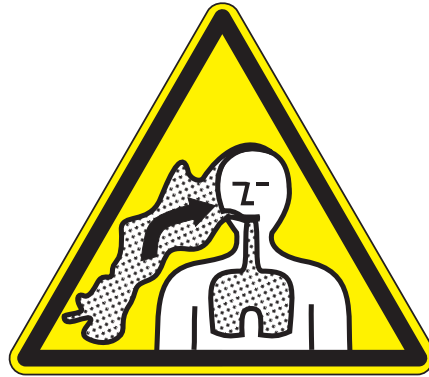
WARNING



SILICOSIS WARNING

Grinding/cutting/drilling of masonry, concrete, metal and other materials with silica in their composition may give off dust or mists containing crystalline silica. Silica is a basic component of sand, quartz, brick clay, granite and numerous other minerals and rocks. Repeated and/or substantial inhalation of airborne crystalline silica can cause serious or fatal respiratory diseases, including silicosis. In addition, California and some other authorities have listed respirable crystalline silica as a substance known to cause cancer. When cutting such materials, always follow the respiratory precautions mentioned above.

WARNING



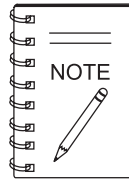
RESPIRATORY HAZARDS

Grinding/cutting/drilling of masonry, concrete, metal and other materials can generate dust, mists and fumes containing chemicals known to cause serious or fatal injury or illness, such as respiratory disease, cancer, birth defects or other reproductive harm. If you are unfamiliar with the risks associated with the particular process and/or material being cut or the composition of the tool being used, review the material safety data sheet and/or consult your employer, the material manufacturer/supplier, governmental agencies such as OSHA and NIOSH and other sources on hazardous materials. California and some other authorities, for instance, have published lists of substances known to cause cancer, reproductive toxicity, or other harmful effects.

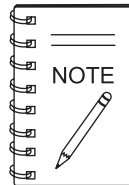
Control dust, mist and fumes at the source where possible. In this regard use good work practices and follow the recommendations of the manufacturers or suppliers, OSHA/NIOSH, and occupational and trade associations. Water should be used for dust suppression when wet cutting is feasible. When the hazards from inhalation of dust, mists and fumes cannot be eliminated, the operator and any bystanders should always wear a respirator approved by NIOSH/MSHA for the materials being used.

Electric Surface Grinder SFG10E

Silicosis/Respiratory Warnings	2
Table Of Contents	3
Parts Ordering Procedures	4
Notice to Operators	5-6
Operator Instructional Data Sheet	7
Safety Precautions	8-11
Assembly Instructions/Operations	12-31
Maintenance/Service	32-35
Troubleshooting	36
Storage	37
Specifications	38
Explanation Of Code In Remarks Column	40
Suggested Spare Parts	41
Operator Handle Assembly	42-43
Electric Motor Assembly	44-45
Wheel Dolly Assembly	46-47
Frame Assembly	48-49
Safety and Dust Shield Assembly	50-51
Scarifier Assembly	52-53
Scrape-R-Tach Assembly	54-55
Grinding Block Assembly	56-57
Decals	58-59
Terms and Conditions of Sale	60



As a continuing effort to update our parts book, contact the MULTIQUIP literature department for the latest revision of your "Operation and Parts Manual"



Specification and part number are subject to change without notice.

When ordering parts, please supply the following information:

- Dealer account number
- Dealer name and address
- Shipping address (if different than billing address)
- Return fax number
- Applicable model number
- Quantity, part number and description of each part
- Specify preferred method of shipment:
 - ✓ FedEx or UPS Ground
 - ✓ FedEx or UPS Second Day or Third Day
 - ✓ FedEx or UPS Next Day
 - ✓ Federal Express Priority One
 - ✓ DHL
 - ✓ Truck

Note: Unless otherwise indicated by customer, all orders are treated as "Standard Orders", and will ship within 24 hours. We will make every effort to ship "Air Shipments" the same day that the order is received, if prior to 2PM west coast time. "Stock Orders" must be so noted on fax or web forms.



Here's how to get help...

Please have the model and serial number on hand when calling.

STOW MAIN OFFICE

18910 Wilmington Ave. 800-421-1244
 Carson, CA 90746 FAX: 310-537-3927
 Email: stow@stowmfg.com
 Internet: www.stowmfg.com

SALES DEPARTMENT

310-661-4242 Fax: 310-604-9237
 877-289-7869 (877-BUY-STOW)

PARTS DEPARTMENT

800-427-1244 FAX: 800-672-7877
 310-537-3700 FAX: 310-637-3284

SERVICE DEPARTMENT

800-478-1244 FAX: 310-537-4259
 310-537-3700

TECHNICAL ASSISTANCE

800-478-1244 FAX: 310-631-5032

WARRANTY DEPARTMENT

800-421-1244, EXT. 279 FAX: 310-537-1173
 310-537-3700, EXT. 279

Place Your Parts Order Via Web or Fax For Even More Savings!

(Domestic USA Dealers Only)

Extra Discounts!

All parts orders which include complete part numbers and are received by our automated web parts order system, or by fax qualify for the following extra discounts:

Ordered via	Standard orders	Stock orders (\$750 list and above)
Fax	3%	10%
Web	5%	10%

Special freight allowances when you order 10 or more line items via Web or Fax! **

FedEx Ground Service *at no charge for freight*

No other allowances on freight shipped by any other carrier.

***Common nuts, bolts and washers (all items under \$1.00 list price) do not count towards the 10+ line items.*

NOTE: DISCOUNTS ARE SUBJECT TO CHANGE

STOW

A DIVISION OF MULTQUIP INC.
STOW CONSTRUCTION EQUIPMENT

A DIVISION OF MULTQUIP INC.

POST OFFICE BOX 6254 CARSON, CA 90749
 888-252-STOW [888-252-7869] 310-537-3700
 FAX: 310-537-1986 FAX: 800-556-1986
 E-MAIL: stow@multiquip.com INTERNET: www.stowmfg.com

Direct TOLL-FREE access to our Parts Department:

Toll-free nationwide — 800-427-1244

Toll-free FAX — 800-6-PARTS-7 (800/672-7877)

NOTICE TO OPERATORS

IF YOU CAN NOT READ OR DO NOT FULLY UNDERSTAND THE CONTENTS OF THIS MANUAL, PLEASE CONTACT THE FACTORY FOR PROPER ASSISTANCE BEFORE ATTEMPTING TO OPERATE THIS PRODUCT.

SI TU NO PUEDES LE'ER O NO COMPRENDES EL CONTENIDO DE ESTE MANUAL FAVOR DE PONERSE EN CONTACTO CON LA FABRICA PARA ASISTENCIA- A PROPIA ANTES DE INTENTAR PARA OPERAR ESTE PRODUCTO. SOLLTEN SIE DIESE GEBRAUCHSANWEISUNG NICHT LESEN KOENNEN ODER ES NICHT VOLLKOMMEN VERSTEHEN, WENDEN SIE SICH BITTE AN DEN HERSTELLER FUER RICHTIGE HILFE EHE SIE VERSUCHEN DIESES PRODUKT ZU OPERIEREN.

SI VOUS NE LISEZ OU NE COMPRENDRE ENTIEREMENT LES MATIERES DE CE MANUEL, S'IL VOUS PLAIT, CONTACTEZ L'USINE POUR L'ASSISTANCE APPROPRIEE AVANT D'UTILISER LE PRODUIT.

DANGER

You **WILL** be **KILLED** or **SERIOUSLY** injured if you **DO NOT** follow directions.

CAUTION

You **CAN** be **INJURED** if you **DO NOT** follow directions.

These safety alert symbols identify important safety messages in this manual. When you see these symbols, be alert to the possibility of personal injury and carefully read the message that follows.

Do not allow anyone to operate the SURFACE GRINDER without first reading this Operator Manual and becoming familiar with its operation. The manufacturer of the SURFACE GRINDER has gone to great extremes to provide the owner(s) and/or operator(s) with the finest equipment available for its intended job function of removing covering materials from concrete and wood floor surfaces. Yet, the possibility exists that the SURFACE GRINDER can be utilized in and/or subjected to job applications not perceived and/or anticipated by the manufacturer. Such misuse and/or misapplication of the SURFACE GRINDER can lead to the possibility of serious damage, injury or even death. It is the responsibility of the owner(s) and/or operator(s) to determine that the SURFACE GRINDER is being utilized and/or operated within the scope of its intended job function. It is the responsibility of the owner(s) and/or operator(s) to establish, monitor and constantly upgrade all safety programs and/or practices utilized in and for the operation of the SURFACE GRINDER. The purpose of such programs is to provide for owner(s') and/or operator(s') safety. Operators must be instructed to recognize and avoid unsafe conditions associated with their work (29 CFR 1926.21 (b)(2)) and/or applicable updated revisions. It is the responsibility of the owner(s) and/or operator(s) to determine that no modifications and/or alterations have been made to the SURFACE GRINDER. Modifications and/or alterations can lead to the possibility of serious damage, injury or even death. It is the responsibility of the owner(s) and/or operator(s) to make this Operator Manual available for consultation during all phases of operation. Refer to OSHA 2207 and/or applicable updated revisions which contains all OSHA job safety and health rules and regulations (1926 and 1910) covering construction.

NOTICE TO OPERATORS

The concept of powered SURFACE GRINDER has been successfully utilized for many years as a practical solution to many types of surface preparation requirements. The basic concept is proven and well accepted within the associated marketplaces. Use of a SURFACE GRINDER requires strenuous work activity. This type of work activity can be considered to be greater in magnitude than that experienced with the use of many other types of both light construction and lawn and garden related equipment. This type of work activity should only be attempted by operators of adequate physical size and stature, mental awareness and physical strength and condition. The body parts most noticeably affected during any specific process are the arms, hands, wrists, shoulders, lower back and legs. The process can also produce excessive stress/strain directly to the back muscles, spinal vertebrae and many other body parts. Back related pain can be a side effect of utilizing a SURFACE GRINDER. An operator with a chronic back related problem or a history of back and/or other medically related problems should not attempt to utilize the SURFACE GRINDER. Use of the SURFACE GRINDER may only aggravate this and any other

medically related problem. Because of the diverse type of prevailing job applications, job site conditions, operator experience levels and operator physical characteristics, no warranty, guarantee, representation and/or liability is made by the manufacturer as to the absolute correctness or sufficiency of any operational procedure, operational position and/or technique. There is no absolute guarantee that an operator of any given experience level, physical size and/or physical condition will be immune to the possibility of and/or probable physical side effects of the normal use of the SURFACE GRINDER. Each potential operator must be made aware of and assume the operational and physical liability described and/or associated with the use of the SURFACE GRINDER. Improper use of the SURFACE GRINDER can result in property damage and/or personal injury, including death. Each potential operator not willing to assume the operational and physical liability described and/or associated with the use of the SURFACE GRINDER, should not operate it. Proper levels of operator experience, skill and common sense are essential for maximizing the safe and efficient operation of the SURFACE GRINDER.

Record the SURFACE GRINDER and electric motor serial numbers in the spaces provided below.

_____ Model Number

_____ Serial Number

_____ Electric Motor Serial Number

_____ Date of Purchase

Specifications and design are subject to change without notice or obligation. All specifications are general in nature and are not intended for specific application purposes. STOW A Division of Multiquip reserves the right to make changes in design, engineering or specifications and to add

improvements or discontinue manufacture at any time without notice or obligation. STOW and its agents accept no responsibility for variations which may be evident in actual products, specifications, pictures and descriptions contained in this publication.

OPERATOR INSTRUCTIONAL DATA SHEET

The following undersigned operators of the SURFACE GRINDER described and/or pertaining to this Operator Manual have received formal safety and operational information/instruction from the undersigned owner(s)/instructor(s) in accordance to OSHA 29 CFR 1926.21 (b)(2) and/or applicable updated revisions pertaining to, but not necessarily limited to the:

- 1) **READING, COMPREHENSION AND ACKNOWLEDGEMENT OF THE MATERIAL COMPRISING THE ENTIRE CONTENTS OF THE APPLICABLE OPERATOR MANUAL.**
- 2) **FORMALIZED OPERATOR SAFETY PROGRAM TO BE DEvised BY THE OWNER OF THE SURFACE GRINDER IN CONJUNCTION WITH THE CONTENTS OF THE APPLICABLE OPERATOR MANUAL AND THE APPLICABLE MATERIAL INCLUDED IN THE NATIONAL ELECTRICAL CODE®.**
- 3) **OSHA AND NATIONAL ELECTRIC CODE® RULES AND REGULATIONS RESEARCHED FOR AND/OR BY THE OWNER OF THE SURFACE GRINDER AND DEEMED APPLICABLE TO THE SAFE AND PROPER USE AND/OR OPERATION OF THE SURFACE GRINDER FOR ANY SPECIFIC JOB APPLICATION.**
- 4) **LOCAL LAWS, REGULATIONS AND CUSTOMS RESEARCHED FOR AND/OR BY THE OWNER OF THE SURFACE GRINDER AND DEEMED APPLICABLE TO THE SAFE AND PROPER USE AND/OR OPERATION OF THE SURFACE GRINDER FOR ANY SPECIFIC JOB APPLICATION.**
- 5) **FORMALIZED MAINTENANCE PROGRAM FOR THE SURFACE GRINDER TO BE DEvised BY THE OWNER OF THE SURFACE GRINDER IN ACCORDANCE WITH, BUT NOT NECESSARILY LIMITED TO, THE SPECIFICATIONS, GUIDELINES AND OPERATIONAL INFORMATION CONTAINED IN THE APPLICABLE OPERATOR MANUAL.**
- 6) **COMPREHENSIVE OPERATIONAL INSTRUCTIONS FOR THE CORRECT AND PROPER USE OF THE SURFACE GRINDER AS PER THE CONTENTS OF THE APPLICABLE OPERATOR'S MANUAL AND APPLICABLE MATERIAL INCLUDED IN THE NATIONAL ELECTRIC CODE®.**

_____	Operator	_____	Owner/Instructor	_____	Date
_____	Operator	_____	Owner/Instructor	_____	Date
_____	Operator	_____	Owner/Instructor	_____	Date
_____	Operator	_____	Owner/Instructor	_____	Date
_____	Operator	_____	Owner/Instructor	_____	Date
_____	Operator	_____	Owner/Instructor	_____	Date

NOTE: INSERT COPIES OF THIS PAGE WITHIN THE OPERATOR'S MANUAL IF SPACE FOR ADDITIONAL OPERATORS IS REQUIRED.

DANGER

THE FOLLOWING SAFETY PRECAUTIONS PROVIDE SOME COMMON SENSE GUIDES TO PROMOTE SAFETY AND EFFICIENCY WITH THE SURFACE GRINDER. NO WARRANTY, GUARANTEE OR REPRESENTATION IS MADE BY THE MANUFACTURER AS TO THE ABSOLUTE CORRECTNESS OR SUFFICIENCY OF ANY INFORMATION OR STATEMENT. THESE SAFETY PRECAUTIONS ARE INTENDED TO DEAL PRINCIPALLY WITH COMMON PRACTICES AND CONDITIONS ENCOUNTERED IN THE USE OF THE SURFACE GRINDER AND ARE NOT INTENDED TO BE ALL INCLUSIVE. PROPER LEVELS OF OPERATOR EXPERIENCE, SKILL AND COMMON SENSE ARE ESSENTIAL FOR SAFE AND EFFICIENT OPERATION.

DANGER

INCORRECT USE OF THE SURFACE GRINDER CAN RESULT IN PROPERTY DAMAGE, PERSONAL INJURY OR EVEN DEATH. TO REDUCE THIS POSSIBILITY, GIVE COMPLETE AND UNDIVIDED ATTENTION TO THE JOB AT HAND AND FOLLOW THESE SAFETY PRECAUTIONS:

PREPARATION

- 1) This SURFACE GRINDER is specialized type of powered equipment, designed for a specific job function and requires adequate and thorough instruction BEFORE it is operated. The size, power, complexity and operating characteristics of this type of powered equipment would dictate that each operator must receive adequate, professional instruction regarding the proper operation of this SURFACE GRINDER before being allowed to utilize it. BEFORE attempting to utilize this SURFACE GRINDER, read this Operator's Manual and the material supplied by the motor manufacturer to familiarize each operator with its correct operating procedures. Avoid the urge not to take the necessary time to read this Operator's Manual before operating the SURFACE GRINDER. DO NOT OPERATE THE SURFACE GRINDER UNTIL EACH OPERATOR COMPLETELY COMPREHENDS THE CONTENTS OF THIS MANUAL.

- 2) Develop a comprehensive program for the safe operation of the SURFACE GRINDER by its owner(s) and/or operator(s). Such a program will include, but is not limited to: instructional requirements for operation, applicable OSHA requirements, local laws and regulations, job site safety and a SURFACE GRINDER maintenance program. Constantly examine and upgrade this program to guarantee owner(s) and/or operator(s) safety. Each operator must be fully instructed regarding the specifics of this safety program.
- 3) Determine that the SURFACE GRINDER is in its original, factory configuration and has not been modified in any manner. Many modifications can result in potentially dangerous configurations that can lead to property damage and/or personal injury. If there are any questions about possible modifications made to the SURFACE GRINDER, contact the Customer Service Department for specific information BEFORE utilization. There is no charge for this service. Do not operate the SURFACE GRINDER without the use of the original equipment V-belt guard. Use of the SURFACE GRINDER without an approved belt guard can lead to property damage and/or personal injury.
- 4) Minors should never be allowed to operate the SURFACE GRINDER. Bystanders, especially children and animals, should not be allowed in the area where the SURFACE GRINDER is in use. The grinding process can result in flying particles being emitted at high velocity and striking the operator and/or onlookers. This can lead to the possibility of property damage and/or personal injury. Keep all body parts, loose clothing, foreign objects and onlookers clear of the rotating disc, multi-accessory attachments and flying particles.
- 5) Operators must be in adequate physical condition, mental health and not under the influence of any substance (drugs, alcohol, etc.) which might impair vision, dexterity or judgment. Working with the SURFACE GRINDER is strenuous. If you have any condition that might be aggravated by strenuous work, check with your doctor BEFORE operating the SURFACE GRINDER. Guide against the possibility of back related injuries. Always lift the SURFACE GRINDER with leg muscles and not with the back.
- 6) Prolonged use of the SURFACE GRINDER (or other, similar machines) exposes the operator to vibrations which may produce Whitefinger Disease (Raynaud's Phenomenon). This phenomenon reduces the hand's ability to feel and regulate temperature, produces numbness and burning sensations and may cause nerve and circulation damage and tissue necrosis. Anti-vibration systems do not guarantee that you will not sustain Whitefinger Disease. Therefore, continuous and regular users should closely monitor the condition of their hands and fingers. After each period of use,

exercise to restore normal blood circulation. If any of the symptoms appear, seek medical advice immediately.

- 7) Clothing must be sturdy and snug fitting, but allow complete freedom of movement. Never wear loose fitting jackets, scarves, neckties, jewelry, flared or cuffed pants or anything that could become caught on controls or moving parts. Wear long pants to protect your legs. Protect your hands with heavy duty, non-slip gloves to improve your grip. Good footing is most important when operating the SURFACE GRINDER.

Wear sturdy boots with non-slip soles. Steel-toed safety shoes are highly recommended. Never wear tennis shoes or other, similar type shoes which afford little or no protection. Wear an approved safety hard hat to protect the operator's head(s) where there is a danger of head injuries. Noise, generated by the SURFACE GRINDER and the actual process itself, can damage your hearing. Wear approved sound barriers (ear plugs or ear muffs) to protect your hearing. Continuous and regular operators should have their hearing checked regularly.

- 8) Visually inspect the SURFACE GRINDER, components, tools and accessories for damaged or worn parts. BEFORE each use:
 - a) Disconnect the power source cable.
 - b) Clean and remove all accumulated foreign matter from the wheels and determine that each rotates freely.
 - c) Clean and remove all accumulated foreign matter from inside the mainframe area.
 - d) Inspect the V-belt drive for proper tension, wear and general condition. Replace each component as necessary.
 - e) Inspect the multi-accessory disc and gimbal head assembly for excessive wear and structural integrity. Replace each component as necessary. The multi-accessory disc rotating at high speed during the specific process can be subject to high wear rates if the installed attachment is not properly maintained and/or replaced at regular service intervals.
 - f) Determine that operator controls work freely, all safety devices are operative and information decals are readable.
 - g) Check to see that the SURFACE GRINDER and all related accessories are in good, mechanical condition BEFORE utilization.
 - h) Reconnect the power source cable as applicable.
- 9) Contact appropriate representatives to determine if/where electrical cables, gas lines and other hazardous items are buried under the work surface BEFORE utilization. The SURFACE GRINDER and related accessories are not insulated. Contact with buried

electrical cables, gas lines and other hazardous items can result in electrocution and/or an explosion.

- 10) Know how the controls operate. Know how to stop the electric motor quickly in an emergency. Always start the electric motor according to the instructions as outlined in this manual to minimize the possibility of unexpected contact with the work surface. Unexpected contact with the work surface can cause loss of machine control, and the possibility of property damage and/or personal injury.
- 11) Ground the electrically powered SURFACE GRINDER motor securely. Determine that any "grounding" wire and/or device is, in fact, properly grounding the motor. Failure to properly ground the motor may cause an electrical shock and/or electrocution, resulting in property damage and personal, injury including death. Electrical wiring and all connections should be performed by a qualified electrician. The electric motor is designed to operate from a 115 AC power source.
- 12) When operating the SURFACE GRINDERS on a surface containing water or other electrically conducting liquid, special precautions must be taken to minimize the possibility of operator electrocution. Once such precaution is to wire and operate the electric motor from a clean, 20 Ampere, 115 Volt AC power source in conjunction with a ground fault circuit interrupter (GFCI). A GFCI is a safety device that disconnects power from a circuit to a load when a potentially dangerous condition occurs. The GFCI opens the circuit when the fault current flow from a power line to a ground exceeds the safe limit for humans.

The GFCI protects against harmful electrical shock to a person caused by contact with a defective electrical product. A GFCI differs from a fuse or circuit breaker. A fuse or circuit breaker opens the circuit when the total current flow in the power line exceeds the safe limit of the power line. They are designed to protect against fire caused by overheating of the power line. Use of a GFCI gives on the job protection from electrical shock hazards caused by ground faults in commercial, industrial and residential applications. They are simple and easy to use: plug a portable GFCI into any suitable, grounded extension cord and plug the SURFACE GRINDER into the GFCI for automatic protection against ground faults.

For specific information, consult current National Electrical Code® publications and OSHA publications 210-22D (or current revision) for construction sites and 555-3 (or current revision) for use around any area containing water.
- 13) Never exceed the recommended capacities of the SURFACE GRINDER. Refer to the Specifications sections of this manual for more detailed information

OPERATION

- 1) Give complete and undivided attention to the job at hand. Do not chew gum, smoke and/or use smokeless tobacco while utilizing the SURFACE GRINDER. Do not attempt to eat and/or drink while utilizing the SURFACE GRINDER. Determine that eyeglasses and/or hearing aid devices are properly secured.

Use of the SURFACE GRINDER is strenuous and causes fatigue. Help prevent the cause of an accident. Plan to take work breaks as required to help maintain proper mental and physical alertness.

- 2) This SURFACE GRINDER is not sealed or insulated. Do not operate the SURFACE GRINDER in an explosive atmosphere or near combustible materials. Refer to current OSHA® rules and regulations.
- 3) The SURFACE GRINDER is designed for use by one operator. Use of the SURFACE GRINDER by more than one operator can lead to confusion and loss of control, resulting in property damage and/or personal injury. If it is felt that more than one person is required to operate the SURFACE GRINDER, STOP and contact the Customer Service Department for specific operational and service/maintenance information. There is no charge for this service.
- 4) Do not operate the SURFACE GRINDER with onlookers close by. Caution all onlookers to stand clear. The grinding process can result in flying particles being emitted at high velocity and striking the operator and/or onlookers. This can lead to the possibility of property damage and/or personal injury. Keep all body parts, loose clothing and foreign objects clear of the rotating drum and flails.
- 5) Start the electric motor according to the instructions as outlined in this manual to minimize the possibility of unexpected contact with the work surface. Unexpected contact with the work surface can cause the loss of machine control and the possibility of property damage and/or personal injury.
- 6) Start and operate the SURFACE GRINDER only in a well ventilated area. Operate the SURFACE GRINDER only when/where visibility and light are adequate for the job at hand. Work carefully. Always hold the operator handle firmly with both hands. Wrap your fingers around the handle, keeping it cradled between your thumbs

and fingers. Always make sure the operator handle is in good condition and free of moisture, pitch, oil or grease. Wear gloves to improve your grip. Never leave the SURFACE GRINDER running unattended.

- 7) Special care must be exercised on slippery conditions and on difficult, uneven surfaces. Watch for cracks, high spots and other, surface irregularities. Keep proper footing and balance at all times. The normal use of this machine is on level surfaces. Other terrains can be dangerous and should be avoided. Only properly trained operators should attempt these techniques.
- 8) Never start the electric motor with the SURFACE GRINDER directly over cracked, uneven or irregular surfaces.
- 9) Clean and remove all accumulated foreign matter from inside the mainframe area after each use. This practice will maximize bearing and V-belt service life.
- 10) Because this SURFACE GRINDER is classified as a low cost, hand held, low horsepower, portable type machine, it is limited in the number of practical and/or suitable job applications. A particular job site, actual surface conditions, job specifications and operator skill/common sense may dictate that a different type of machine (with characteristics of higher purchase cost, being mounted to a carrier vehicle, with greater horsepower and less mobility), method and/or process be utilized to properly complete the job with the degree of efficiency and safety required. Contact the Customer Service Department for specific information regarding suitable job applications, job sites surface conditions and operator experience/skill/common sense recommendations for this SURFACE GRINDER BEFORE utilization. There is no charge for this service.

MAINTENANCE, REPAIR AND STORAGE

- 1) Use only genuine, approved replacement parts and accessories for maintenance and repair. Use of parts and accessories manufactured by others can result in property damage and/or personal injury.
- 2) Follow the **Service** instructions as outlined in the appropriate section of this manual.
- 3) Always stop the electric motor and disconnect the power source cable BEFORE checking or working on the SURFACE GRINDER.
- 4) Always properly maintain the SURFACE GRINDER. Frequently check all fasteners and individual parts. Built in safety features are effective only if they are maintained in good working condition. Replace any questionable part or assembly with a genuine, factory approved, replacement part. Do not forsake proper maintenance for the price of a few replacement parts. Proper maintenance does not cost...it actually pays dividends. Do not attempt any maintenance repair work not described in this manual. Have such work performed at your dealer's service facility.
- 5) Do not operate the SURFACE GRINDER without the use of factory approved V-belt and diamond blade guards that are maintained in proper structural condition. Frequently inspect the guards for signs of wear, cracks and other signs of fatigue. If there is any question regarding the structural integrity and/or condition of the belt guard, properly dispose and replace with a genuine, factory approved, replacement part only.
- 6) Maintain all safety and operation decals in proper condition. If any decal becomes damaged and/or unreadable, replace with a genuine, factory approved, replacement part only.
- 7) The SURFACE GRINDER utilizes many self-locking type hexagon head nuts to minimize the effects of vibration. Replace all self-locking hardware with genuine, factory approved, replacement parts only.
- 8) Consult the material supplied by the electric motor manufacturer for specific information relative to proper operational, lubrication and storage requirements.

Assembly

The SFG10E SURFACE GRINDER is shipped from the factory secured on a specially designed wooden pallet and protected from external damage by a corrugated carton or wood crate. If shipped with a corrugated carton, the SURFACE GRINDER can be secured to the pallet by wood laths nailed to the pallet body. Remove the carton or crate immediately upon receipt using suitable tools to remove the nails.

REMOVING THE SURFACE GRINDER FROM THE PALLET

Tools Required:

- 1 set of pliers.
- 1 claw hammer or a hammer and an appropriate pry bar.

The SURFACE GRINDER is secured to the pallet with steel banding. Using the pliers, cut and remove the banding. The SURFACE GRINDER can then be removed from the pallet.

DANGER

WEAR SAFETY GLASSES AND OTHER APPROPRIATE SAFETY APPAREL WHEN CUTTING THE STEEL BANDING AND/OR REMOVING THE CORRUGATED/ WOOD SHIPPING CRATE.

Visually inspect the shipment for freight damage and/or missing parts. If shipping damage is evident, contact the delivering carrier immediately to arrange for an inspection of the damage by their claims representative. Federal law requires that a claim be filed within a specific time period. If missing parts are detected, notify your dealer who will assist you in obtaining them.

The SURFACE GRINDER is shipped from the factory completely assembled. If ordered with the SURFACE GRINDER, multi-accessory attachments are normally shipped separately to minimize the potential for loss during shipment.

Check all fasteners for proper security. Consult a fastener torque chart for the proper torque value if any fastener is found to require retorquing.

After April 1, 1996 all single head SURFACE GRINDERS are shipped from the factory with the SFSG121000 Safety and Dust Shield Assembly Kit. The SFSG121000 Safety and Dust Shield is designed to perform the following job functions:

- 1) To contain loose materials within the platform area of the SURFACE GRINDER as a direct result of a specific grinding process. This includes materials removed from the surface as well as any slurry mixture utilized to help maximize material removal efficiencies.
- 2) To provide a method for a vacuum system to help remove airborne dust related materials from within the skirt assembly. Dust related materials are usually created as a result of the grinding process. A specific job application may require the reduction and/or minimization of airborne dust related materials from the atmosphere while the SURFACE GRINDER is being operated. The kit includes a hose and necessary hardware to connect the skirt assembly to the 3 inch diameter vacuum attachment fitting located at the rear of the machine. Use of the kit along with a suitable vacuum system will not completely remove all airborne and loose materials directly from the work surface.

DANGER

THE USE OF THE SFSG121000 SAFETY AND DUST SHIELD ASSEMBLY KIT ALONG WITH A SUITABLE VACUUM SYSTEM TO REMOVE HAZARDOUS CLASSIFIED, AIRBORNE MATERIALS FROM THE WORK SURFACE WILL NOT ELIMINATE THE REQUIREMENT FOR PROPER SAFETY RELATED EQUIPMENT, OPERATING PLAN AND/OR PROCEDURES.

DANGER

USE OF THE SFSG121000 SAFETY AND DUST SHIELD ASSEMBLY KIT ALONG WITH A SUITABLE VACUUM SYSTEM WILL NOT COMPLETELY REMOVE ALL LOOSE MATERIALS FROM THE WORK SURFACE. HAZARDOUS CLASSIFIED, LOOSE MATERIALS MUST BE REMOVED FROM THE WORK SURFACE BY PROCESSES AND/OR PROCEDURES MEETING THE APPLICABLE OSHA AND/OR EPA REQUIREMENTS.

Operation

THEORY OF OPERATION

The SFG10E SURFACE GRINDERS operate on the principle of various multi-accessory attachments being utilized at rotational speeds to make direct contact with a work surface. Various types of multi-accessory attachments are secured to a recess provided in the rotating, aluminum disc located on the bottom of the machine. The specific type of multi-accessory attachment utilized during the grinding process directly affects the type of material removed, the material removal rate and the resulting flatness and smoothness of the surface.

The grinding process is directly controlled by these conditions:

- 1) The use of a suitable mechanism (multi-accessory attachment) of proper design and configuration to grind the work surface and remove material while delivering acceptable service life.
- 2) Sufficient static weight supporting the multi-accessory attachment to allow it to effectively penetrate the work surface and remove material.
- 3) Adequate horsepower capable of propelling the multi-accessory attachment against the work surface to deliver acceptable productivity rates.

Since no two materials are exactly alike, no two work surface materials can be penetrated and removed by the exact same method. The nature of the grinding process, along with operator experience, skill and common sense, would suggest that efficient and productive material removal is a matter of trial and error. Combinations of multi-accessory attachment type, condition, and feed rate are direct factors that will also determine the overall success of the job application.

MULTI-ACCESSORY ATTACHMENTS AND APPLICATIONS

While individual multi-accessory attachment design and configuration may vary, basic operational characteristics are identical: impact upon a work surface material and remove a percentage of the material. This common operational characteristic has led to the development of the following popular multi-accessory attachments:

Grinding Stones

Grinding stones are available in a number of grades, including: C06 extra coarse, C10 coarse, C24 medium, C80 fine and C120 super fine grade. FIGURE 4. All stones incorporate silicon carbide as the abrasive medium and employ a clay binder as the matrix material. Vitrified type stones utilize an oven baking process that produces greater service life over other manufacturing processes. As the clay material wears away, it exposes new, sharp, edges of

the imbedded silicon carbide material. All stones have the identical 2" x 2" X 4" dimensions and are secured to the machine by the use of a plastic wedge.



FIGURE 4

The designation system for the grinding stones utilizes a system similarly utilized for most abrasive products: the larger the number, the finer the grain structure and usually, the smoother resulting finish.

- a) The C06 and C10 coarse grade stones are the most popular utilized stones and result in maximum material removal rates. They are utilized for general grinding and the removal of trowel marks, high spots and rough sections on concrete surfaces. The average service life is approximately 4 to 10 hours.
- b) The C24 medium grade stone will result in lower material removal rates. It is utilized for finer finish grinding of concrete and rough grinding on terrazzo and other types of stone floor configurations. The average service life is approximately 6 to 10 hours.
- c) The C80 fine grade stone will result in still lower material removal rates. It is utilized for polishing concrete and medium grinding on terrazzo and other types of stone floor configurations with a water/slurry mixture only. The average service life is approximately 8 to 20 hours.
- d) The C120 super fine grade stone will result in the lowest material removal rates. It is utilized for final polishing on terrazzo and other types of stone floor configurations with a water/slurry mixture only. The average service life is approximately 40 to 75 hours.

Tungsten Carbide Grinding Block

This multi-accessory attachment is most often utilized on larger concrete grinding projects where increased production and service life are required. The block utilizes tungsten carbide balls approximately 1/16 inch diameter that are deposited in a molten matrix material during the manufacturing process at a controlled rate. The end effect is a multi layer deposit of tungsten carbide balls in the matrix material. As the softer matrix material wears with use, it exposes a new layer of fresh tungsten carbide balls to continue the grinding process. The tungsten carbide grinding block is considerably more aggressive than the C10 silicon carbide grinding stone. With the ability to renew itself during usage, the normal life expectancy for this accessory can approach several hundred hours. The nominal dimensions for the tungsten carbide grinding block is 2" x 2" x 4" and is secured to the machine with a plastic wedge. FIGURE 5.



FIGURE 5

Scarifier Blocks

These multi-accessory attachments are comprised of flails and spacer washers secured in a rigid steel case. FIGURE 6. Rotation of the multi-accessory disc causes the flails to impact against the work surface with a variety of results. Scarifier blocks are secured to the machine with plastic wedges.

Several factors directly affect the selection of a flail design for a specific job application:

a) The type and amount of material to be removed from the work surface. Materials of higher yield and tensile strengths along with the actual volume of material to be removed will generally be the first factors under consideration.

b) Purchase cost versus service life. The original purchase cost of plain, heat-treated steel flails must be compared against the substantially higher costs of the tungsten carbide

insert flails. In turn, these costs must be compared to anticipated service life. All flails will eventually wear to the point of requiring replacement. The amount of unproductive time spent to replace worn flails on a job can be substantially greater than the actual replacement cost of many flails. It then becomes a balance between purchase cost, productivity, service life and labor cost.

c) Surface finish and texture. The finest grained surface finish available from the scarifying process is comparable to a "swept or broomed" like finish. If a smooth, flat finish is desired, the scarifying process must be followed with a grinding or polishing type process. Many job requirements may call for large amounts of material to be removed, but followed with additional specifications requiring a finer surface finish or texture. Many times these jobs dictate the use of an aggressive flail configuration because of productivity and cost considerations. Less aggressive flail configurations can then be utilized for the final finishing sequence. Generally speaking, the more aggressive the flail configurations, the more coarse the resulting finish and texture.

Many flail configurations are available to meet a wide variety of job applications and surface material specifications. To give additional perspective to each configuration, a rating system of 1 to 10 (10 being highest) has been devised.



FIGURE 6

Star Flail

The star flail is manufactured from high carbon steel that is through hardened for additional service life. It is highly effective for light cleaning or scarifying and delivers a finer surface finish texture. FIGURE 7.



FIGURE 7

Suggested Applications:

- 1) Removal of thin coatings and encrusted accumulations.
- 2) Cleaning concrete and asphaltic surfaces
- 3) Removing thick material build-ups of greases, paints, oils, vegetable powders and some resins from floors.
- 4) Light scarifying prior to the application of coatings, toppings or sealers.

COST 1
PRODUCTIVITY 3
SERVICE LIFE 1

The star flail should be replaced when the outside diameter is worn to approximately 1-5/16 inch or the inside diameter elongates to approximately 3/4 inch.

Beam Flail

The beam type flail is manufactured from high carbon steel that is through hardened for additional service life. It is highly effective for scabbling or scarifying and delivers medium to coarse surface finish texture. FIGURE 8.



FIGURE 8

Suggested Applications:

- 1) Medium duty asphalt and concrete scarifying.
- 2) Descaling steel decks.
- 3) Removing thick material build-ups of greases, paints, oils, vegetable powders and some resins from floors.
- 4) Dried, fully cured, carpet and tile adhesive removal.

COST 1
PRODUCTIVITY 5
SERVICE LIFE 2

The beam flail should be replaced when the outside diameter is worn to approximately 1-5/16 inch or the inside diameter elongates to approximately 3/4 inch.

Pentagonal Flail

The pentagonal type flail is manufactured from high carbon steel that is through hardened for additional service life. Each section of the five sided design features a small, tungsten carbide insert that is held in position with copper brazing. It is highly effective for scabbling or scarifying and delivers medium to coarse finish texture. FIGURE 9.



FIGURE 9

Suggested Applications:

- 1) Heavy duty asphalt and concrete scarifying.
- 2) Heavy duty descaling of steel decks.

The pentagonal flail is designed for more aggressive and rapid removal of a surface in comparison to the beam flail. The addition of the tungsten carbide inserts contributes to its long service life and higher production rates. The use of tungsten carbide is also the main reason for the cost differential between it and the other flails. The design configuration yields a rather coarse surface finish and texture. For many job applications, this finish and texture will be satisfactory. Some applications may require an additional smoothing process. If the resulting surface finish is too coarse to meet specifications, it can be smoothed with the use of the star or beam flail.

COST 10
PRODUCTIVITY 8
SERVICE LIFE 10

The pentagonal flail should be replaced when two successive tungsten carbide inserts break off or the inside diameter elongates to approximately 3/4 inch. In service, the flail body will wear much faster than the tungsten carbide inserts. The copper brazing used to weld the inserts into the body can fail and an insert break off. The flail can still be used in service. It will just wear a little faster and more uneven in

that particular area. As a general rule, a pentagonal flail can be utilized until body wear will no longer support the tungsten carbide inserts.

Spacer Washer

Spacer washers are stamped from high carbon steel and heat-treated for additional service life. FIGURE 10.

Spacer washers serve the following functions:



FIGURE 10

- 1) Reduces the number of flails required to be mounted on the scarifier block, thus reducing purchase and operational costs.
- 2) Arrange the flails in a sequence or pattern that minimize “blind” or “open” spots. Normally, at least one spacer washer is inserted between two consecutive flails. A scarifier block set up with only star, beam or pentagonal flails will not penetrate the work surface at satisfactory rates. This configuration will minimize the hammering or impact action of the flails.

Variations in material thickness and manufacturing processes can affect the final thickness of both flails and spacer washers. Because of this occurrence, trial and error is important for assembling flails and spacer washer on the scarifier block. By mixing and matching flails and spacer washers of specific thicknesses, the required number of components can be assembled on a block in a minimum amount of time.

DANGER

USE ONLY FACTORY SUPPLIED SPACER WASHERS ON THE SCARIFIER BLOCK. OTHER WASHER TYPES AND/OR CONFIGURATIONS CAN PRODUCE ABNORMAL WEAR AND ELONGATION, RESULTING IN COMPLETE SEPARATION FROM THE SCARIFIER BLOCK. INADVERTENT SPACER WASHER SEPARATION CAN LEAD TO PROPERTY DAMAGE AND/OR PERSONAL INJURY.

Scarifier Block Bushing

Scarifier block bushings are designed to be discarded whenever the flails are replaced. FIGURE 11. Normal wear should be uniform about the bushing circumference.

Uneven bushing wear would suggest the following problems:



FIGURE 11

- 1) Inadequate free play exists between the flails/spacer washers and the scarifier block case. If the flails and spacer washers do not have complete freedom of movement, they will not be capable of properly rotating about the scarifier block bushing. The result is bushing wear usually confined to two locations that are 180 degrees apart. Variations in flail and spacer washer thicknesses affect free play when assembled on the scarifier block.

Because free play is also created during the scarifying process due to actual flail and spacer washer wear, a certain amount of “tightness” can sometimes be tolerated without affecting the service life of the bushings and flails. The specific amount of “tightness” can usually be determined through trial and error. If the flails and spacer washers appear too tight on the scarifier block, remove an appropriate flail or washer and reassemble the block. If a short, operational test indicates normal component wear patterns, the apparent problem has been solved. A general rule for consideration: it is better to have the flails and spacer washers a “little too loose than a little too tight”.

- 2) Mixing both worn and new flails on the scarifier block. Proper flail action against the work surface material requires that the flails be of the same approximate dimensions. Flails with various inside and outside dimensions will not impact the work surface material with the same intensity and deliver the same results. Flail bushing wear is directly proportional to the amount of force it must supply against each individual flail. When a bushing can no longer supply adequate force against the flails, it will break, allowing the flails to be hurled

against the inside of the SURFACE GRINDER frame. The more aggressive flails require greater forces to keep them contained on the block. These forces, in turn, create faster and/or uneven bushing wear rates.

Because scarifier bushings are a critical component of the actual scarifying process, it is important that each bushing be inspected on a regular basis to determine proper structural integrity.

Wire brushes

Typical applications include light scarifying and cleaning of concrete, asphalt, steel and tile surfaces. Wire brushes are secured to the machine with plastic wedges. FIGURE 12.



FIGURE 12

Wire brushes are available in a number of flat wire sizes and resulting configurations. With continuous use, the flat wire will take a “set” that can limit effectiveness and overall productivity. FIGURE 13. For best results, flat wire brushes should be rotated end for end in the aluminum multi-accessory disc a minimum of once for every one hour of operation. External weight applied to the SURFACE GRINDER will not normally increase productivity rates and only accelerate flat wire wear rates.

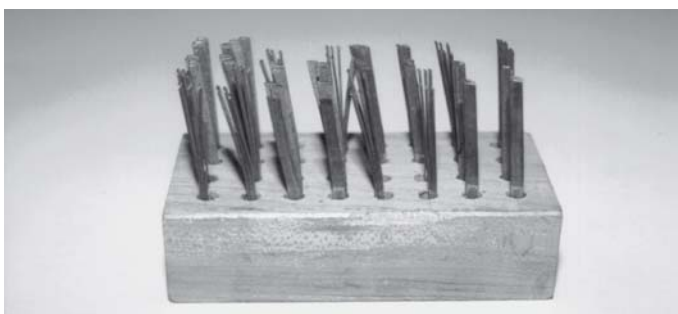


FIGURE 13

Floor Brushes

Eleven inch diameter, silicon carbide impregnated, floor brushes are available in a number of styles and designs for general maintenance and cleaning projects. FIGURE 14. They are especially effective cleaning soiled concrete floors with the addition of water soluble solvents. These types of brushes are directly mounted to the multi-accessory disc with the included 1/2 inch x 2 inch long Grade 5 capscrews. A kidney shaped drive plate is provided on the back side of the brush. This drive plate fits into a recess provided in the multi-accessory disc. FIGURE 15.



FIGURE 14



FIGURE 15

SCRAPE-R-TACH® Industrial Floor Coatings Removal System

This multi-accessory attachment is designed to remove many urethanes, epoxies, paints, mastics and other, similar material accumulations from concrete floor surfaces. FIGURE 16. Each assembly utilizes two tungsten carbide inserts set at a precise angle. The rotating inserts “cut and shave” against the work surface material with a “scraping” action that removes materials with highly productive results. To increase the effectiveness of the inserts, the scraper block design incorporates a Lord® type rubber mount that helps absorb damaging shocks while allowing the inserts to more easily follow local variations in the surface contour. Units are secured to the machine with plastic wedges.

ASSEMBLY INSTRUCTIONS/OPERATIONS



FIGURE 16

The productivity of the product is directly dependent upon the yield and tensile strength of the material being removed. Material thickness has also shown to have a direct effect on overall productivity. For example, the SCRAPE-R-TACH system is a highly productive method for removing thick paint accumulations from factory floors. Production rates of up to several hundred square feet per hour can be realized. However, many thin film (ie: 5 mill thickness and thinner) urethane coatings present a much more difficult removal problem. Since removal rates are also directly affected by applied down force, up to 300 lbs of external weight can be applied to the SURFACE GRINDER to increase productivity. Cement blocks, stacked bags of cement or weighted drums make excellent weights and can be secured with “bungy” cords. FIGURE 17.



FIGURE 17

Each insert provides 8 scraping edges. As an edge become dull and worn, the insert can be turned and reinstalled to expose a new, sharp edge. FIGURE 18. When all 4 edges of one side become worn and dull, the insert can be turned over to expose an additional 4 edges.

Many materials such as adhesives, rubber deposits and mastics have the tendency to extrude or smear rather than

shear from the concrete floor material. The occurrence is also aggravated by higher ambient temperatures. This problem can be significantly reduced with the addition of various amounts of water or a water saturated, fine sand combination placed on the floor. The use of the Safety and Dust Shield Assembly with the SURFACE GRINDER is highly recommended to contain the water/sand slurry mixture from damaging surrounding walls and other vertical surfaces.



FIGURE 18

To index the tungsten carbide insert, proceed as follows:

Tools required:

1 each, 5/32 Allen wrench.

- 1) Clean the SCRAPE-R-TACH unit with a suitable safety solvent to remove excess material build-up. Remove as much foreign material from the female hexagon socket area of the capscrew. This will allow the wrench to make full contact and maximize the torque transfer to the cap screw.

CAUTION

Follow all safety precautions for the safety solvent.

- 2) Remove the cap screw from the unit. Clean the newly exposed areas of the insert and SCRAPE-R-TACH unit with the safety solvent. Clean and inspect the threaded holes found in older units for excess wear. New style SCRAPE-R-TACH units feature a through hole design.
- 3) Index the insert to expose a new edge. Reinstall the capscrew and apply a torque value that properly seats the insert firmly against the body of the unit.

CAUTION

An insufficient seating torque value will allow the insert to become loose from the unit body, resulting in premature component wear and improper scraping action. An excessive torque value will strip the threads of the capscrew or unit body.

- 4) Determine that the unit body is free to rotate about the 5/16 inch diameter capscrew that retains the body to the unit. A body that does not freely rotate indicates that a material build-up exists between the rubber mount and retaining capscrew exits. This build-up must be removed by disassembling the body from the unit and cleaning all contact areas with the safety solvent. FIGURE 20.

The SCRAPE-R-TACH system is designed to be installed with the edge of the tungsten carbide inserts facing the direction of rotation. Markings are provided to indicate proper direction of rotation.



FIGURE 20

CAUTION

Installing the SCRAPE-R-TACH system with the tungsten carbide inserts facing opposite the rotation direction will not deliver satisfactory material removal rates and result in premature component wear requiring early replacement.

Multi-Segmented, Dry Diamond Disc

Many times increased concrete removal rates can be achieved with the use of multi-segmented, dry diamond discs. FIGURE 21. These discs are designed to operate dry or can also be utilized with water. If the wet option is chosen, an external source for providing water must be devised. No provision for water use is provided with the SURFACE GRINDER. Typical discs are approximately 10 inch diameter and feature up to 20 diamond segments that are welded or brazed to each assembly.

To install the multi-segmented, dry diamond disc, the standard, aluminum, multi-accessory disc is first removed from the SURFACE GRINDER. The diamond disc fastens directly to the gimbal head with 3/8 inch diameter x 1 inch long Allen head capscrews. FIGURE 22. The rear wheel assembly is then placed in the lowest position to compensate for the thickness variance of the diamond discs. FIGURE 23.



FIGURE 21

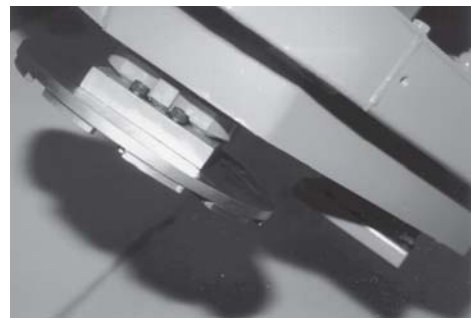


FIGURE 22

ASSEMBLY INSTRUCTIONS/OPERATIONS



FIGURE 23

Diamond Segment Block

The diamond insert block is designed to compliment the multi-segmented diamond disc where a quick changeover feature to other attachments is desired.

Diamond segments are retained into a steel block assembly and deliver up to 5 times greater productivity rates than the silicon carbide stones. FIGURE 24. The design resists clogging while delivering a conservative service life up to 15 times longer than the stones. Diamond is the ideal choice for larger concrete removal projects and the removal of epoxies, paints and many thin film coatings.

The concept is especially useful for removing a thin layer of concrete in final preparation for a new coating application. Can be used in both wet and dry job applications. Worn inserts are easily replaced in a matter of seconds. Service life is dependent upon many variables, but can approach 35,000 square feet per set, making it a cost efficient solution for many job applications.



FIGURE 24

INSTALLING A MULTI-ACCESSORY ATTACHMENT (not including multi-segmented, dry diamond discs) IN THE ROTATING DISC

Tools Required:

1 Small Hammer

Parts Required:

6 each, P/N 29019-017 Plastic Mounting Wedge



DANGER

WHEN INSTALLING A MULTI-ACCESSORY ATTACHMENT ON THE SURFACE GRINDER ALWAYS WEAR THE APPROPRIATE SAFETY EYEWEAR AND APPAREL TO MINIMIZE THE POTENTIAL FROM FLYING DEBRIS. FLYING DEBRIS CAN RESULT IN PROPERTY DAMAGE AND/OR PERSONAL INJURY.

- 1) Properly disconnect the extension cord or SURFACE GRINDER from the power source.
- 2) Tilt the SURFACE GRINDER back until the operator handle comes in contact with the surface. Appropriate wheel chocks are recommended. FIGURE 25.



FIGURE 25

- 3) Mount the multi-accessory attachment into the slots provided in the multi-accessory disc. If the attachment is directional in design, determine that its mounting position in the disc allows for proper operation.
- 4) Force a Mounting Wedge P/N 229019-017 into the area between the multi-accessory attachment and the inside rib of the aluminum disc by hand. The straight side of the mounting wedge contacts the multi-accessory attachment. The angled side of the mounting wedge contacts the rib of the disc. FIGURE 26. An improper mounting configuration is depicted in FIGURE 27.

ASSEMBLY INSTRUCTIONS/OPERATIONS



FIGURE 26



FIGURE 27

- 5) Using a hammer, strike the wider side of the mounting wedge with controlled, direct blows to firmly seat the multi-accessory attachment into the aluminum disc. Usually one or two direct blows will be sufficient to properly retain the attachment.

! CAUTION

Do not apply excessive impact force to the mounting wedge to cause splitting. Once the multi-accessory attachment is seated in the aluminum disc, further impact force on the wedge will not increase the seating force.

! CAUTION

Improper seating force created by an excessive blow to the mounting wedge will not allow the attachment to properly release from the aluminum disc if direct contact with a foreign object is made. Such occurrence can result in property damage and/or personal injury. The correct seating force for a specific job application is that which is sufficient to retain the attachment, yet still allows it to release from the aluminum disc when direct contact with a foreign object is made.

- 6) Determine that the multi-accessory attachment is in full contact with the aluminum disc. If not in proper contact, refer to REMOVING A MULTI-ACCESSORY ATTACHMENT (not including multi-segmented, dry diamond blades) FROM THE ROTATING DISC for proper removal procedures.
- 7) Return the SURFACE GRINDER to its normal operating position.
- 8) If the machine is to be used immediately, reconnect the extension cord or SURFACE GRINDER to the power source. Determine that the ON/OFF switch located on the operator handle is in the OFF position.

! DANGER

DO NOT OPERATE THE SURFACE GRINDER WITH THE 229019-017 MOUNTING WEDGES IN AN IMPROPER MOUNTING CONFIGURATION. MOUNTING A WEDGE BETWEEN THE MULTI-ACCESSORY ATTACHMENT AND THE OUTSIDE RIB OF THE ALUMINUM DISC CAN ALLOW THE WEDGE TO COME IN DIRECT CONTACT WITH A VERTICAL WALL AND/OR FLOOR OBSTRUCTION. SUCH OCCURRENCE CAN RESULT IN LOSS OF MACHINE CONTROL, PROPERTY DAMAGE AND/OR PERSONAL INJURY.

BEFORE OPERATING THE SURFACE GRINDER WITH ANY MULTI-ACCESSORY ATTACHMENT, DETERMINE THAT NO PORTION OF THE ATTACHMENT AND/OR MOUNTING WEDGE EXTENDS BEYOND THE NORMAL PERIMETER OF THE ALUMINUM DISC.

! DANGER

UNEXPECTED MACHINE START UP CAN RESULT IN PROPERTY DAMAGE AND/OR PERSONAL INJURY.

ASSEMBLY INSTRUCTIONS/OPERATIONS

REMOVING A MULTI-ACCESSORY ATTACHMENT (not including multi-segmented, dry diamond discs) FROM THE ROTATING DISC

Tools Required:

1 Small Hammer

1 Drift Punch or Small Pry Bar

! DANGER

WHEN REMOVING A MULTI-ACCESSORY ATTACHMENT FROM THE SURFACE GRINDER, ALWAYS WEAR APPROPRIATE SAFETY EYEWEAR AND APPAREL TO MINIMIZE THE POTENTIAL FROM FLYING DEBRIS. FLYING DEBRIS CAN RESULT IN PROPERTY DAMAGE AND/OR PERSONAL INJURY.

- 1) Disconnect the extension cord or SURFACE GRINDER from the power source.
- 2) Tilt the SURFACE GRINDER back until the operator handle comes in contact with the surface. Appropriate wheel chocks are recommended.
- 3) The multi-accessory attachment can be removed by both the use of a drift punch or small, pry bar. If utilizing the drift punch, strike the narrow end of the mounting wedge with controlled, direct blows until the attachment is released from the aluminum disc. If utilizing the pry bar, position the bar between the aluminum disc and the attachment. Use controlled, direct blows to the bar in order to force the attachment loose from the aluminum disc. FIGURE 28.



FIGURE 28

! CAUTION

Do not utilize excessive force when removing a multi-accessory attachment with the pry bar. Excessive force can result in damage to the aluminum disc. Proper removal techniques by both methods will result in minimal damage to the aluminum disc.

- 4) Return the SURFACE GRINDER to its normal operating position.
- 5) If the machine is to be used immediately, reconnect the extension cord or SURFACE GRINDER from the power source. Determine that the ON/OFF switch located on the operator handle is in the OFF position.

! DANGER

UNEXPECTED MACHINE START UP CAN RESULT IN PROPERTY DAMAGE AND/OR PERSONAL INJURY.

TRANSPORTING THE SURFACE GRINDER

The SURFACE GRINDER has an operational weight that prohibits one person from loading and/or unloading it alone by conventional, physical efforts.

! DANGER

DO NOT ATTEMPT TO LIFT THE SURFACE GRINDER UP INTO A TRANSPORTATION VEHICLE WITH THE USE OF ONE PERSON ALONE. DO NOT ATTEMPT TO LOWER THE SURFACE GRINDER FROM A TRANSPORTATION VEHICLE WITH THE USE OF ONE PERSON ALONE. LIFT AND/OR LOWER THE SURFACE GRINDER ONLY BY THE USE OF A POWER TAILGATE UNIT, A SUITABLE HOIST UNIT OF PROPER CAPACITY AND/OR CONFIGURATION OR BY THE USE OF A PROPER QUANTITY OF PERSONNEL IN PROPER PHYSICAL CONDITION.

- 1) A lifting bail device can be used to facilitate lifting by a mechanical device incorporating a chain and suitable attachment device. The location of the lifting bail may not always locate the exact position of the center of gravity for the SURFACE GRINDER. Lifting handles are also provided on both sides of the transmission case. These handles can be utilized by personnel whenever lifting/lowering the SURFACE GRINDER or as attachment points for a chain sling whenever a suitable hoisting device is utilized. FIGURE 29.

DANGER

EXERCISE EXTREME CAUTION WHEN UTILIZING A MECHANICAL DEVICE FOR LIFTING THE SURFACE GRINDER. UTILIZE THE MECHANICAL DEVICE IN ACCORDANCE TO BOTH ITS STATED STATIC AND DYNAMIC LOADING ENVELOPES. DO NOT UTILIZE THE MECHANICAL DEVICE UNTIL THIS INFORMATION IS PROPERLY KNOWN AND UNDERSTOOD BY ALL APPLICABLE PERSONNEL. FAILURE TO PROPERLY UTILIZE THE MECHANICAL DEVICE CAN RESULT IN PROPERTY DAMAGE AND/OR PERSONAL INJURY.

2) To minimize the possibility of damage to the SURFACE GRINDER, always transport in its normal, upright position. All equipment must be secured in/on vehicles with suitable strapping or tie-downs. Personnel should not be transported in the same compartment as equipment and fuel supplies. Consult applicable OSHA, AGA, CGA, etc. regulations for the proper transportation flammable gases.



FIGURE 29

ADJUSTING THE OPERATOR HANDLE HEIGHT

The SFG10E SURFACE GRINDER incorporates a handle that can be adjusted to compensate for variances in operator heights. Correct handle height can increase overall machine productivity and reduce operator fatigue.

- 1) Loosen both knobs on the lower handle. FIGURE 30.
- 2) Pull the top handle until the desired height is reached.
- 3) Tighten both knobs on the lower handle.

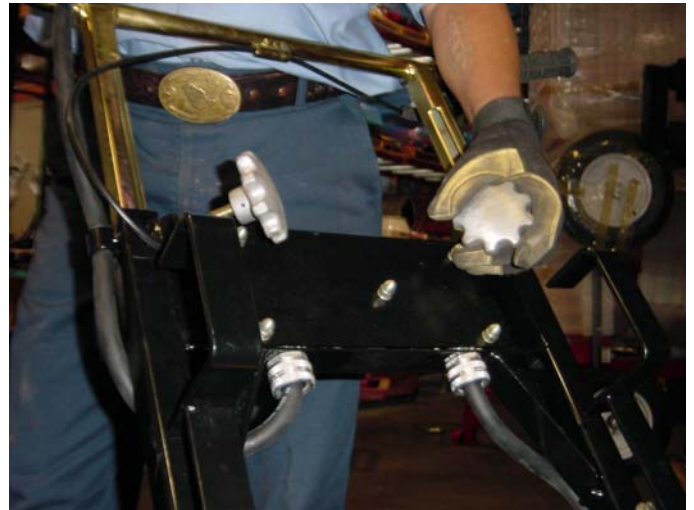


FIGURE 30

STARTING THE SFG10E SURFACE GRINDER ON THE JOBSITE

- 1) Position the SURFACE GRINDER on a flat and level surface of firm foundation.
- 2) Determine that the ON/OFF switch located on the operator handle is in the OFF position.

DANGER

UNEXPECTED MACHINE START UP CAN RESULT IN PROPERTY DAMAGE AND/OR PERSONAL INJURY.

- 3) The motor is designed to operate from a clean, 20 ampere, 115 VAC, 60 Hz nominal power source. A clean power source refers to the amperage available on the individual electrical circuit selected. Additional electrical products already utilizing the same circuit will reduce the available amperage, resulting in starting and operational difficulties.

CAUTION

Operating the SURFACE GRINDER from a power source of improper voltage and amperage will result in un-repairable damage to the electric motor and related controls.

- 4) The motor is equipped with automatic thermal protection device that will stop it before major internal damage can result. After the motor has cooled to an acceptable temperature level, the switch must be manually activated to restart. FIGURE 32.



FIGURE 32

To minimize the voltage drop to the motor, all extension cords should be copper stranded, 8 AWG or larger. A NEMA 6-20R twist-lock type receptacle is provided with the SFG10E SURFACE GRINDER as a standard accessory. The twist lock feature allows the extension cord to be pulled by the SURFACE GRINDER without becoming detached. Wire the NEMA 6-20R receptacle to the appropriate extension cord that will be coupled to the NEMA 6-20P plug provided on the SURFACE GRINDER. FIGURE 33.



FIGURE 33

DANGER

PROPERLY INSPECT ALL EXTENSION CORDS AND WIRING DEVICES FOR STRUCTURAL INTEGRITY. DO NOT UTILIZE A CORD WITH A WORN OR CUT OUTER JACKET MATERIAL. DO NOT UTILIZE A CORD WITH EXPOSED INNER WIRES OR INSULATION MATERIAL. DO NOT UTILIZE A CORD THAT HAS BEEN REPAIRED WITH ELECTRICAL TAPE. USE OF A NEMA EXTENSION CORD OF IMPROPER STRUCTURAL INTEGRITY CAN RESULT IN PROPERTY DAMAGE AND/OR PERSONAL INJURY.

DANGER

ALL ELECTRICAL WIRING MUST BE INSTALLED AND/OR APPROVED IN ACCORDANCE TO LOCAL ELECTRICAL CODES AND PRACTICES. AN IMPROPER WIRING INSTALLATION CAN RESULT IN PROPERTY DAMAGE AND/OR PERSONAL INJURY.

- 5) Determine that the power outlet to be utilized is properly grounded. This can be accomplished with proper testing equipment and procedures. If there are any questions regarding the suitability of a specific power outlet, contact the Customer Service Department for assistance BEFORE utilizing the SURFACE GRINDER. There is no charge for this service. A qualified electrician can also be consulted. If a 115 VAC power outlet is selected, it is recommended that a properly tested, externally mounted, ground fault circuit interrupter (GFCI) be utilized at all times as an additional safety precaution. FIGURE 34.



FIGURE 34

DANGER

FOR MAXIMUM PROTECTION AGAINST A FAULT, ALWAYS CONFIGURE THE GROUND FAULT CIRCUIT INTERRUPTER TO BE PLUGGED INTO THE EXTENSION CORD. A CONFIGURATION WITH THE GROUND FAULT CIRCUIT INTERRUPTER PLACED BETWEEN THE POWER SOURCE AND THE EXTENSION CORD WILL NOT AFFORD MAXIMUM PROTECTION AGAINST A POTENTIAL FAULT.

- 6) Couple the NEMA 6-20R receptacle and the NEMA 6-20P plug together.
- 7) Grasp the operator handle with firm gripping. When starting the electric motor, apply a down force directly to the operator handle to help reduce the amount of machine weight against the work surface. Turn the ON/OFF switch to the ON position. Reduce the amount of applied down force on the operator handle as the electric motor attains its operational speed.

When operating on 115 VAC, the electric motor will require additional starting time to help compensate for the additional starting amperage requirement. This time is usually within two seconds of activating the ON/OFF switch.

- 8) The SFG10E SURFACE GRINDER is not equipped with a centrifugal clutch assembly. The electric motor is directly coupled to the multi-accessory disc by a V-belt/spur gear transmission.

DANGER

AS SOON AS THE ELECTRIC MOTOR HAS STARTED, THE OPERATOR MUST BE IN A POSITION TO ASSUME DIRECT AND FULL CONTROL OF THE SURFACE GRINDER. FAILURE TO ASSUME DIRECT AND FULL CONTROL CAN RESULT IN PROPERTY DAMAGE AND/OR PERSONAL INJURY.

- 9) The SFG10E SURFACE GRINDER is stopped by moving the ON/OFF switch located on the operator handle to the OFF position. For safety considerations, it is also recommended that the extension cord be disconnected from both the SURFACE GRINDER and electric power source whenever the SURFACE GRINDER is not in use on the job site.

OPERATING THE SURFACE GRINDER ON THE JOBSITE

DANGER

THE GRINDING PROCESS PRODUCES EXCESSIVE NOISE, VIBRATION AND FLYING DEBRIS. ALL OPERATORS AND WORK PERSONNEL IN THE VICINITY OF THE SURFACE GRINDER MUST WEAR APPROPRIATE SAFETY EYE WEAR AND HEARING PROTECTION DEVICES. OTHER SAFETY APPAREL AND/OR PROCEDURES, DEEMED NECESSARY BY SUPERVISORY PERSONNEL MUST ALSO BE WORN AND/OR PRACTICED BY ALL APPROPRIATE PERSONNEL.

DANGER

EXERCISE EXTREME CAUTION WHEN OPERATING THE SURFACE GRINDER IN THE VICINITY OF DECK INSERTS, PIPES, COLUMNS, OPENINGS, LARGE CRACKS, UTILITY OUTLETS OR ANY OBJECT PROTRUDING FROM THE SURFACE. CONTACT WITH SUCH OBJECTS CAN LEAD TO LOSS OF MACHINE CONTROL, RESULTING IN PROPERTY DAMAGE AND/OR PERSONAL INJURY.

- 1) The SURFACE GRINDER incorporates a rotating disc for mounting a wide variety of multi-accessory attachments. Direct contact with a protruding obstruction from the floor can result in rapid and jerky directional movement of the machine. In most operating situations, direct contact with such an obstruction will result in the multi-accessory attachment becoming dislodged from the rotating disc. This occurrence is intended to protect the SURFACE GRINDER from excessive damage and allow the operator to remain in proper control of the machine.

DANGER

ALWAYS MAINTAIN PROPER CONTROL OF THE SURFACE GRINDER. IF AN OPERATOR LOSES CONTROL OF THE MACHINE, A "RUNAWAY" SURFACE GRINDER CAN RESULT IN PROPERTY DAMAGE AND/OR PERSONAL INJURY. BECAUSE OF THE UNIQUE OPERATING CHARACTERISTICS OF THE SURFACE GRINDER, THERE IS NO PROVISION FOR THE ELECTRIC MOTOR TO AUTOMATICALLY STOP IF THE OPERATOR FAILS TO MAINTAIN PROPER CONTROL.

DANGER

WHEN OPERATING THE SURFACE GRINDER ON ABOVE GROUND FLOOR LEVELS, EXERCISE EXTREME CAUTION TO PREVENT LOSS OF CONTROL THAT COULD ALLOW THE MACHINE AND/OR OPERATOR TO FALL DOWN TO LOWER LEVELS. SUCH AN OCCURRENCE CAN RESULT IN PROPERTY DAMAGE AND/OR PERSONAL INJURY.

- 2) Productivity rates with the various multi-accessory attachments can be increased with the addition of external weight being applied to the area over the rotating disc. FIGURE 36. Maximum allowable external weight is 300 lbs. Exceeding this figure can result in permanent structural damage to the SURFACE GRINDER. Provisions for securing the weight by the means of strapping or other, appropriate methods is provided.



FIGURE 36

DANGER

DO NOT OPERATE THE SURFACE GRINDER WITHOUT ALL EXTERNAL WEIGHT PROPERLY SECURED TO THE MAIN FRAME. A SUDDEN CHANGE IN MOVEMENT OR DIRECTION CAN ALLOW THE UNSECURED WEIGHT TO FALL OFF THE SURFACE GRINDER, RESULTING IN LOSS OF MACHINE CONTROL, PROPERTY DAMAGE AND/OR PERSONAL INJURY. THIS PROCEDURE IS ESPECIALLY IMPORTANT WHEN OPERATING THE SURFACE GRINDER ON FLOORS AND/OR SURFACES ABOVE GROUND LEVEL.

- 3) Proper operator posture and stance will enhance operational safety and overall productivity. FIGURE 38. For most job applications, operate the engine at maximum, governed speed. Consult the material supplied by the engine manufacturer and the SPECIFICATIONS section for specific information.
- 4) The wide variety of potential work surface materials along with the corresponding variety of job site environments, makes it impossible to develop a standardized operating procedure for the SURFACE GRINDER. Use of the SURFACE GRINDER will require constant trial and error testing until satisfactory results are achieved. Experience gained over time and common sense will help minimize the amount of necessary testing. Many factors will directly affect the operating parameters and/or techniques utilized for a specialized job application. Some of these factors include:
- a) Work surface material yield and tensile values. As a general rule, these values will determine material removal rate per unit of time. Materials with high yield and tensile values will characteristically resist/limit material penetration. For such materials, the accepted procedure is to make a number of multiple passes over the work surface rather than attempt to make a single, deep pass. The net effect is to actually increase productivity: more material removed in less time. Other added benefits to this technique are decreased vibration, less operator fatigue and increased component service life.



FIGURE 38

- b. Higher material removal rates can sometimes be achieved by making a series of shallow passes 90 degrees to each other to form a waffle like pattern. This technique is especially useful when removing deeper accumulations of rubber, paint, dirt debris, etc. from industrial floors.
- 5) The grinding process on many work surface materials can produce sparks, dust and other foreign particle contamination.

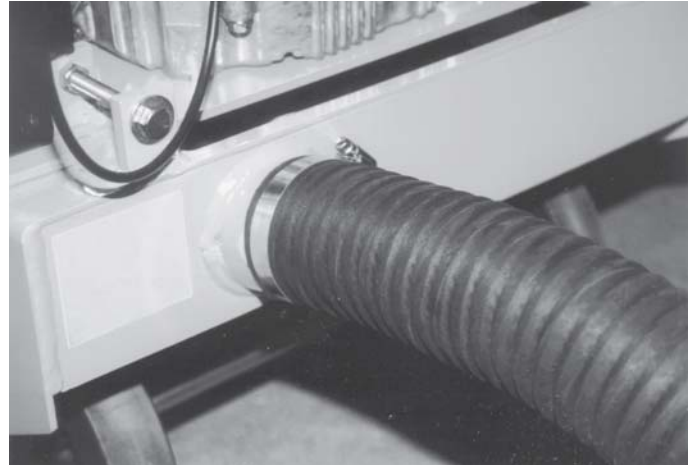


FIGURE 39

! DANGER

SPARKS PRODUCED BY THE ACTIONS OF MULTI-ACCESSORY OPTIONS AGAINST THE WORK SURFACE (FOR EXAMPLE: STRIKING ANCHOR BOLTS) MAY COME IN CONTACT WITH MATERIALS THAT CAN RESULT IN A FIRE AND/OR EXPLOSION. THIS OCCURRENCE CAN RESULT IN PROPERTY DAMAGE AND/OR PERSONAL INJURY.

! DANGER

THE CREATION OF DUST AND OTHER FOREIGN PARTICLE CONTAMINATION FROM THE OPERATIONAL PROCESS CAN RESULT IN PROPERTY DAMAGE AND/OR PERSONAL INJURY. FOR SUCH OPERATING CONDITIONS, ALWAYS WEAR A NIOSH/MSHA APPROVED DUST/MIST RESPIRATOR. CONSULT APPLICABLE OSHA REGULATIONS FOR SPECIFIC INFORMATION.

! DANGER

ALWAYS UTILIZE A VACUUM SYSTEM DESIGNED TO OPERATE WITHIN THE SPECIFIC JOB SITE REQUIREMENT. DUST MATERIAL CAN MEET CLASS II OR CLASS III SPECIFICATIONS OF THE NATIONAL ELECTRIC CODE® FOR HAZARDOUS LOCATION CLASSIFICATIONS. CONSIDERATION MUST ALSO BE GIVEN TO THE CREATION OF HAZARDOUS TYPE MATERIALS REQUIRING SPECIFIC DISPOSAL PROCEDURES. DETERMINE THAT THE VACUUM SYSTEM IS PROPERLY DESIGNED TO OPERATE WITHIN THESE ATMOSPHERES. CONSULT CURRENT NATIONAL ELECTRIC CODE®, OSHA AND ENVIRONMENTAL PROTECTION AGENCY REGULATIONS FOR SPECIFIC INFORMATION.

- 6) Dust and other particle contamination can be controlled by the following methods:
- a) The SURFACE GRINDER is equipped with a 3 inch outside diameter vacuum tube adaptor located at the rear of the machine. An industrial type vacuum system and front shield assembly can be attached to the SURFACE GRINDER to remove/control dust and other particle contamination from the work surface. A hose clamp is sometimes required to properly secure the vacuum hose to the vacuum tube. FIGURE 39.

- b) Water/sand slurry mixture applied directly to the work surface can be an effective method of reducing the effects of grinding and other material removal processes. This method can be a productive alternative when removing adhesives containing asbestos. A negative effect of this method is that the water/sand slurry mixture can be classified as a hazardous material, requiring proper disposal procedures.
- 7) Normal usage of the SURFACE GRINDER will allow the build-up and accumulation of work surface materials on interior surfaces. It is highly recommended that both the interior and exterior surfaces be properly cleaned after the completion of each usage.

CAUTION

Failure to properly clean the interior surfaces of the SURFACE GRINDER can result in dried material build-up and accumulation directly affecting bearing service life.

DANGER

EXERCISE EXTREME CAUTION WHEN UTILIZING ANY SOLVENT TO REMOVE ACCUMULATED MATERIALS FROM THE SURFACES OF THE MACHINE AND RELATED COMPONENTS. MANY SOLVENTS ARE FLAMMABLE. DO NOT SMOKE OR INTRODUCE FLAME IN THE WORK AREA. PROVIDE ADEQUATE VENTILATION AND WEAR PROPER SAFETY APPAREL.

DANGER

PROPERLY DISPOSE OF ALL ACCUMULATED MATERIALS PER OSHA AND ENVIRONMENTAL PROTECTION AGENCY CODES AND REGULATIONS. MANY ACCUMULATED MATERIALS CAN BE CLASSIFIED AS HAZARDOUS AND REQUIRE PROPER DISPOSAL PROCEDURES. CONTACT THE APPLICABLE GOVERNMENT AND/OR PRIVATE AGENCIES FOR SPECIFIC INFORMATION.

- 8) On job applications where the work process creates a considerable amount of loose material, it can become almost impossible to determine proper material removal depths and the extent of work already accomplished. The problem can be compounded if a vacuum system is not utilized. Loose material should be removed by sweeping or other, appropriate processes and the SURFACE GRINDER utilized until conditions again warrant removing the accumulated material.

STOPPING THE SFG10E SURFACE GRINDER

- 1) Stopping the SURFACE GRINDER is accomplished by moving the ON/OFF switch located on the operator handle to the OFF position. For safety considerations, it is also recommended that the extension cord be disconnected from both the SURFACE GRINDER and electric power source whenever the SURFACE GRINDER is not in use on the jobsite

OPERATIONAL PARAMETERS AND TECHNIQUES FOR THE SFG10E SURFACE GRINDER

Early Age Grinding

Early age grinding is an alternative to floating and trowelling. It gets its name from the fact that the concrete is ground at an early age, after it has set but before it has gained much structural strength. The process usually involves the following steps:

- 1) Normal screeding of the floor.
- 2) Smoothing the floor surface with a skip float.
- 3) Cover the floor with polyethane sheeting.
- 4) Removing the sheeting and grinding the floor down a uniform depth of approximately 1/32 inch within 24 to 48 hours of the initial pouring.

The C06 and C10 silicon carbide grinding stones are usually used for the process, although the multi segmented, dry diamond blades can be used as an alternative with substantially greater productivity rates. The main benefit of early age grinding is that it eliminates late work in cold weather. With ordinary finishing methods, a slab cast in the morning of a cold weather day might not get finished trowelled until very late at night. With grinding, the construction crew are able to leave the job at the end of a normal work day and return 1 or 2 days later to finish the job. Early age grinding may not reduce the total number of work hours, but it usually eliminates the need for work at overtime rates, which can substantially increase total project costs.

One side benefit of early age grinding is that the process demands less skill than conventional floating and trowelling. This makes it an attractive process where skilled crew personnel may not be available. It is also an excellent procedure for concrete floors that will be eventually covered by carpet or an applied coating.

Definitions of floor flatness and levelness

The terms flatness and levelness have poorly understood meanings in everyday speech, but have important distinctions in floor construction.

Flatness is defined as planarity or lack of curvature. A more simple definition is that a flat floor is smooth and free of bumps and dips. An unflat floor is bumpy and wavy. Levelness is defined as horizontality or lack of slope. A level floor is horizontal. A floor that is unlevel is sloped or tilted.

A floor can be flat, but still not level. Some floors are specifically designed to be unlevel; they can be intentionally sloped for drainage considerations. Very few, if any, floors are specifically designed to be unflat. Unfortunately, many turn out that way. Flatness and levelness are both desirable,

but have different implications for the floor user. Flatness is critical where the user's main concern is the behavior of wheeled type vehicles. Levelness is critical where the user's main concern is with fixed structures such as shelving, racks and the placement of machine tools.

Exceptions exist, but for most users, flatness is more important than levelness. The reasoning is that fixed equipment can be shimmed or adjusted to compensate. However, it is not as easy to adapt a wheeled vehicle to a floor that is not flat enough to allow for proper action.

Flatness and levelness also have different implications for the floor contractor. Flatness is determined mainly by finishing methods. Levelness is determined mainly by the side forms.

Defined Versus Random Traffic Patterns

Floors are subject to two kinds of traffic patterns: defined and random. On a defined traffic floor, vehicle movement is confined to fixed paths. On a random traffic floor, vehicles are free to roam, though inevitably, some traffic patterns are used more than others.

The distinction is important because the two kinds of traffic demand different methods of measuring surface regularity. On a defined traffic floor, a continuous (or nearly continuous) profile in each of the paths can be measured. But where traffic is random, the possible travel paths are infinite in number. What usually results is statistical sampling; selected points or lines are checked and assumed that they represent the whole floor surface.

The highest degree of surface regularity is found among the defined traffic floors. Defined traffic floors allow the designer and contractor to focus on a limited number of critical areas. When a defined traffic floor is out of tolerance, it is relatively easy to identify the defects for correction—usually by employing a grinding process.

How to Define Surface Regularity

Since the middle 1980s, new methods of defining surface regularity have been adopted as national standards. Older methods will continue to be utilized, although they are less effective. The following methods will be discussed:

- 1) The F number system for random traffic floors
- 2) The TR 34 system for defined traffic floors

Both methods are not of equal value. For random traffic floors, F numbers provide the most complete and consistent system. For defined traffic floors, the TR34 system is superior.

The F number system utilizes a pair of numbers to define surface regularity. The flatness number, F_f, is based upon the curvature over a horizontal distance of 24 inches. The levelness number, F_l, is based upon the floor slope over a horizontal distance of 10 feet. The standard test for F numbers is specified in ASTM E1155 and/or most recent version.

With both F_f and F_l, higher numbers mean greater surface regularity. Though the scale ranges from zero to infinity, almost all floors have F numbers between 10 and 100 for both flatness and levelness. Since the scale is linear, an F_f50 floor is exactly twice as flat as an F_f25 floor.

Most F number specifications are written in a two tier format. The overall F numbers apply to the floor taken as a whole. The local F numbers apply to each individual slab and are usually only one half to two thirds the overall values.

The overall F numbers are not just simple averages. ASTM E1155 covers how to combine F numbers.

The two tier format encourages contractors to achieve good surface regularity while allowing for minor defects. The attempt is to pour the entire floor to the specified overall F numbers. If, for instance, the construction crew has a bad day and fails to meet the specified overall numbers for the slab, the slab can still be accepted provided it meets the specified local numbers.

Such an occurrence serves as a warning to the crew that it must strive for a better performance on later slabs, so as to bring the overall F numbers up to the specified values. If a slab fails to meet even the specified local numbers, it must be repaired or replaced, but such failures seldom occur if all parties understand what is expected from the start.

Designers are not obligated to use this two tier format. Some designers specify a single F number pair (F_f and F_l) which applies to each individual slab. But this also raises the risk that slabs will be rejected.

FIGURE 40 depicts the overall and minimum F numbers for various floor classes. The floor classification is from the American Concrete Institute. Although the F number system is only a few years old, it offers these advantages:

- a) The system controls both flatness and levelness.
- b) There is a standard test method.
- c) The system recognizes the statistical nature of profile testing on random traffic floors.
- d) The system is infinitely variable.

F_F/F_L Classifications set forth by ASTM E1155

FLOOR PROFILE QUALITY CLASSIFICATION	MINIMUM F _F /F _L NUMBER REQUIRED			
	SPECIFIED F NUMBERS		MINIMUM LOCAL F NUMBERS	
	FLATNESS F _F	LEVEL F _L	FLATNESS F _F	LEVEL F _L
CONVENTIONAL BULL-FLOAT STRAIGHTEDGE	15 20	13 15	13 15	10 10
FLAT	30	20	15	10
VERY FLAT	50	30	25	15

FIGURE 40

One of the major limitations of the F number system is that it does not control the surface regularity at joints. Because joints are statistical anomalies, the standard test method forbids measurements within 24 inches. The designer specifying by F number has two methods to accommodate the problem. The first solution is to locate joints at locations where surface regularity is not important. The second solution is to design specifications for the joints themselves.

The TR 34 tolerances for defined traffic floors

The TR 34 System divides defined traffic floors into three categories:

- a) Superflat
- b) Category 1
- c) Category 2

For each category, the TR 34 System specifies limits for three properties:

Property 1 is the difference in elevation between two points 12 inches apart, measured in the direction of vehicle traffic. This is the levelness tolerance.

Property 2 is the difference in slope over 24 inches measured in the direction of vehicle traffic. This is the flatness tolerance. It is identical as the 24 inch curvature utilized in the F number system.

Property 3 is the difference in elevation between opposite points in the left and right wheel path, measured perpendicular to the direction of vehicle traffic. As with Property 1, it is a levelness tolerance. The TR 34 System specifies different values for Property 3 depending upon whether the distance between left and right wheel paths is more or less than 5 nominal feet

The Superflat category is intended for very narrow aisle warehouses where the highest standards are required. Category 1 is suggested for very narrow aisle warehouses where the vertical lift height is between 26 and 43 feet. Category 2 is for very narrow aisle warehouses where the vertical lift height is under 26 feet and the use of low rise, automatically controlled vehicles. No matter which category of surface regularity is specified, it is accomplished by measuring elevations on 12 inch centers. This is very similar to an F number survey, but with an important distinction. In an F number survey, the elevation profiles are made on the floor at random. With the TR 34 System, the survey measurements are made on the actual paths of the vehicles that will utilize the floor.

Improving the wear resistance of concrete floors by grinding with the SFG10E SURFACE GRINDER

Poor wear resistance can often be traced back to a surface that is weaker than underlying levels of the pour. This occurrence can result from bad finishing techniques, improper curing or early freezing.

Where surface weakness is a problem, grinding can be a solution. The process is similar to the early age technique. The grinding depth is typically 1/16 to 1/8 inch. A large project should not be attempted until a small test area has proven that the technique will produce the desired results. Usually only a square yard of floor is ground with the normal wear tests performed.

Repair costs can be minimized by grinding only those floor areas that accommodate traffic. For example, in a pallet rack warehouse, it may be necessary to grind only the aisle areas and not under any of the racks. The grinding process can adversely affect the surface regularity. Where specific properties are important, it may be necessary to survey the floor during the grinding process to ensure that flatness and levelness specifications are maintained.

Cleaning concrete floors to improve the wear resistance with the SFG10E SURFACE GRINDER

Clean concrete floors have a longer service life than dirty, poorly maintained floors. Loose debris produces three-bodied wear by allowing particles to roll between the traffic and the floor surface. With some types of debris, especially when lodged in vehicle wheels, wear can be immediate and severe.

The SFG10E SURFACE GRINDER can be utilized with a number of multi accessories to clean and extend concrete floor service life. The SCRAPE-R-TACH® floor coatings removal system readily removes food, oil and rubber accumulations from high traffic floor areas. The Clean Sweep™ silicon impregnated, rotary brushes along with a biodegradable detergent applied to floors removes ground in dirt and debris from shop and industrial floors. Dry diamond segmented discs and blocks can be utilized to remove surface imperfections.

Maintenance/Service

PREVENTATIVE MAINTENANCE CHECK LIST

The normal operation of the SURFACE GRINDER produces extreme dirt and dust, along with levels of random vibration. Before operating the SURFACE GRINDER, the following service list should be accomplished. This list is for reference only and is not intended to be all inclusive. Other subject areas can be added at the discretion of the owner(s) and/or operator(s):

- 1) Check all fasteners for proper torque values. If a fastener requires re-torquing, consult a torque chart for proper value. Properly discard and replace any worn fastener with a factory approved, replacement part.
- 2) Check the V-belts for wear. Adjust or replace as necessary. Check pulleys for wear and proper alignment. Many loose materials created as a result of operating processes can be extremely abrasive.
- 3) Keep the SURFACE GRINDER clean. Wash the unit after each use. Determine that the interior sections of the frame are free of material build-ups. Such build-ups can restrict the operating process and present a potential safety hazard. Clean and remove any material build-up from the SURFACE GRINDER after each use.
- 4) Remove material accumulations from the exterior surfaces of the electric motor. The electric motor is a totally enclosed, fan cooled (TEFC) design. Keep the fan fins clear of material accumulations to enhance airflow over the motor exterior for cooling purposes.

DANGER

DO NOT PERFORM PREVENTATIVE MAINTENANCE CHECKS WITH THE ELECTRIC MOTOR RUNNING. STOP THE POWER SOURCE AND DISCONNECT THE SPARK PLUG OR EXTENSION CORD BEFORE PERFORMING ANY MAINTENANCE TO THE SURFACE GRINDER. TURN THE ON/OFF SWITCH TO THE OFF POSITION BEFORE RECONNECTING THE EXTENSION CORD. IMPROPER PROCEDURES CAN RESULT IN PROPERTY DAMAGE AND/OR PERSONAL INJURY.

CHECKING V-BELT TENSION AND ALIGNMENT

Proper V-belt tension and alignment are essential for smooth transmission of horsepower and extended service life. Improper tension and alignment will accelerate V-belt wear and contribute to decreased productivity. The V-belt is tensioned at the factory with the maximum recommended tension force. Check the belt tension at least two times during the first day of operation as there will normally be a rapid decrease in belt tension until it has been run in. Check the belt tension every eight hours of operation thereafter and maintain tension within the recommended range. The correct operating tension for a V-belt drive is the lowest tension at which it will not slip under peak load conditions.

Tools Required:

- 1 16 inch minimum length straightedge.
 - 1 10 lbs minimum capacity, tension scale or belt tension tool.
- 1) Disconnect the extension cord or SURFACE GRINDER from the power source.
 - 2) Position the SURFACE GRINDER on a suitable work bench with the V-belt approximately at waist level.
 - 3) Remove the belt guard from the main frame. Clean the inside of the belt guard with an appropriate solvent. Check for signs of wear and damage.

CAUTION

Observe all applicable safety precautions for the solvent.

- 4) Check the belt tension using the spring scale or belt tension tool midway between the engine clutch pulley and the transmission pulley. Belt tension should measure approximately 0.22 inch at 3-1/4 to 4-3/8 lbs. measured force range. FIGURE 41. If tension is within specifications, proceed to Step 5. If tension is not within specifications, refer to INSTALLING A REPLACEMENT V-BELT for specific information.



FIGURE 41

- 5) Belt alignment is checked with the straightedge. Place the straightedge squarely against the transmission pulley. Properly aligned pulleys should also place the straightedge squarely against the motor pulley. Remove the straightedge and rotate the motor pulley 120 degrees. FIGURE 42. Recheck alignment with the straightedge. Repeat the process until the motor pulley is rotated a full 360 degrees. Maximum allowable misalignment is + - 1/32 inch. If pulley alignment is not within specifications, refer to INSTALLING A REPLACEMENT V-BELT for specific information.
- 6) Install the belt guard to the main frame. Determine that all safety related decals affixed to the belt guard are fully readable. If any decal is not fully readable, replace with a factory approved, replacement part only.
- 7) If the machine is to be used immediately, reconnect the extension cord or SURFACE GRINDER to the power source. Determine that the ON/OFF switch located on the operator handle is in the OFF position

DANGER

UNEXPECTED MACHINE START UP CAN RESULT IN PROPERTY DAMAGE AND/OR PERSONAL INJURY.



FIGURE 42

INSTALLING A REPLACEMENT V-BELT OR PULLEY

Tools Required:

- 2 1/2 wrenches.
- 1 16 inch minimum length straightedge.
- 1 10 lbs minimum capacity, tension scale or belt tension tool.
- 1 belt tension tool.

Parts Required:

- 1 V-Belt, P/N SFB45
- 1 Pulley Assy. P/N SFSG120400

- 1) Position the SURFACE GRINDER on a suitable work surface with the V-belt approximately at waist level.
- 2) Remove the belt guard from the main frame. Clean the inside of the belt guard with an appropriate solvent. Check for signs of wear and damage. Secure in a proper storage area.

CAUTION

Observe all applicable safety precautions for the solvent.

- 3) Using the 1/2-inch wrenches, loosen the motor mounting plate cap screws.
- 4) With the same wrenches, rotate the motor take-up cap screws counterclockwise to loosen the V-belts and allow the electric motor to slide toward the front of the main frame. FIGURE 43.



FIGURE 43

- 5) Remove the worn V-belt. Inspect the electric motor and transmission pulleys for wear and damage. Install the replacement belt, P/N SFB45.
 - a) Do not install replacement belt if the pulleys have excessively worn grooves. Such pulleys should be replaced to insure proper belt fit. Operating the V-belt in worn pulley grooves will accelerate wear, reduce horsepower and torque levels and significantly reduce component service life.
 - b) A V-belt should never be forced over a pulley. More belts are broken from this cause than from actual failure in service.
 - c) Keep the belt as clean and free of foreign material as possible. Do not use belt dressing
- 6) Rotate the take-up cap screws clockwise until the V-belt has enough tension to not allow it to fall off the pulleys.

REPLACING THE LORD® TYPE ELASTOMERIC MOUNTS ON THE MULTI-ACCESSORY DISC

Lord® type elastomeric rubber mounts are utilized to allow each multi-accessory disc to maintain full contact with the work surface. The rubber mounts afford a constant flex rate for the multi-accessory disc throughout its service life. The rubber compound is resistive to the effects of ultraviolet radiation and most common chemicals encountered when operating the SURFACE GRINDER .

During the manufacturing process, the rubber mounts are pressed into specially machined cavities in the disc mounting plate. Under normal usage and job applications, the Lord® type rubber mounts will deliver appropriate performance for the expected service life of the SURFACE GRINDER. However, an attachment mounted in the multi-accessory disc that directly strikes a vertical floor obstruction with sufficient impact force can cause one or more of the mounts to become separated from the mounting plate. This occurrence will not allow the multi-accessory disc to maintain full contact with the work surface. This occurrence is also intended to protect the transmission gears and bearings from costly damage and the operator from an impact force that could cause personal injury.

Tools Required:

- 1 each, 5/16 allen wrench.
- 2 each, 5/8 wrenches.
- 1 each, arbor press of sufficient capacity and stability.

Parts Required:

- Elastomeric Mount, P/N SFJ62502 (as required).
- 1 container each: Installation Lubricant (or approved equivalent).

- 1) Disconnect the extension cord or SURFACE GRINDER from the power source.
- 2) Position the SURFACE GRINDER on a suitable work bench with the multi-accessory disc at waist level
- 3) Remove the belt guard from the main frame. Clean the inside of the belt guard with an appropriate safety solvent. Check for signs of wear and damage. Secure in a proper storage area.



CAUTION

Observe all applicable safety precautions for the solvent.

- 4) Tilt the SURFACE GRINDER back until the operator handle comes in contact with the surface. Appropriate wheel chocks are recommended.
- 5) Utilizing the Allen wrench, remove the affected aluminum multi-accessory disc (if still attached) from the SURFACE GRINDER.
- 6) Utilizing the 9/16-inch wrenches, remove the cap screws that retain the Lord® rubber mounts to both the mounting plate and transmission shaft.
- 7) Inspect the appropriate cavities in the mounting plate for wear and damage. Any nick or burr must be removed by the use of an appropriate file, followed by the use of 240 grit sandpaper.
- 8) Apply the installation lubricant to the exterior surface of the elastomeric mount to minimize damage when pressing into the mounting disc. If the factory supplied lubricant is not available, an acceptable alternative is the use of common liquid soap.

CAUTION

Do not install an elastomeric mount without the use of an approved lubricant. Installation without an approved lubricant can produce tears in the mount, resulting in substandard operational performance and service life.

- 9) Support the elastomeric mount, socket and mounting plate as depicted in FIGURE 50. The mounting plate must be suspended from the arbor press to allow the mount to clear when the pressing process is completed. A short section of 1-1/2 inch inside diameter steel tubing can be utilized for this purpose. Using the arbor press, apply a steady force in a straight line direction to the mount until it fully penetrates the cavity in the mounting disc. Do not attempt to push the elastomeric mount through the mounting disc with excessive force. Damage to the elastomeric mount will result.
- 10) Reassemble the mounting disc to the transmission shaft.
- 11) Reassemble the mounting plate to the mounting disc.
- 12) Reassemble the aluminum multi-accessory disc to the mounting plate.
- 13) Check to determine that the replacement elastomeric mounts allow for proper position of the aluminum multi-accessory disc. If the elastomeric mounts are not properly positioned, they will require removal and reinstallation. The removal process can produce tears and abrasions in the mount that will require new replacements.



FIGURE 50

LUBRICATION REQUIREMENTS

Parts Required:

1 each, standard grease gun filled with one of the following: ESSO Beacon 325, Shell Alvania #2, Chevron SRI, or equivalent.

1 each, container of dry film lubricant.

- 1) Lubricate the caster wheel bearings with a dry film lubricant only. Dry film lubricants dry immediately upon contact. Use sparingly. Excess lubricant will attract the fine grained, powdered materials described and directly affect bearing service life.

CAUTION

Do not lubricate the caster wheels with any type of grease material. Grease will attract foreign material accumulations that can accelerate bearing wear.

- 2) The transmission gears are supported by extra capacity, ball bearing units. Bearings are lubricated at the time of manufacture and do not require additional servicing when placing the unit in initial service. Zerk grease fittings can promote improper service schedules and an excessive amount of over lubrication. Excess grease escaping from around the bearing insert seals will attract foreign material accumulations that can drastically shorten their service life. Excessive amounts of grease in the bearing race cavity can actually increase friction and resulting heat increases that can also dramatically shorten bearing service life.

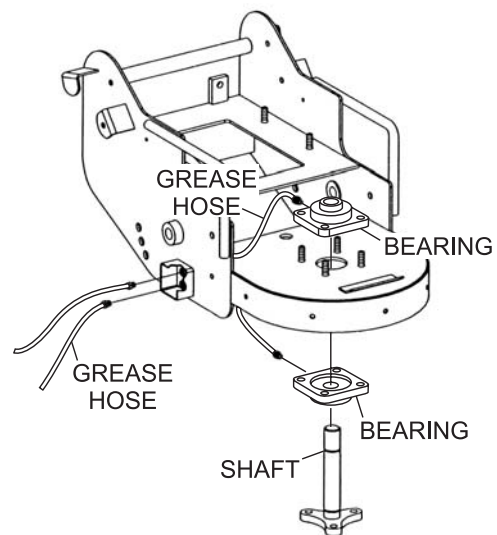


FIGURE 51. LUBRICATION POINTS

- 3) The transmission gears are lubricated at the time of assembly with approximately 24 ounces of Lubricate GR132 grease or equivalent. This lubricant has an EP additive to better allow it to cling to the gears. The transmission should not require additional lubrication or the lubrication to be changed until service work to the gears is performed. FIGURE 51.
- 4) Standard greasing intervals will range from once every 8 hour work day to approximately once every work week. Always maintain sufficient grease around the circumference of the bearing insert to provide its self-aligning feature and prevent the formation of corrosion.
- 5) Do not apply belt dressing materials to the V-belts for the purpose of minimizing slippage. These products typically attract foreign material accumulations that can accelerate component wear. Excessive V-belt slippage can be eliminated with proper V-belt tension and alignment.

ELECTRIC MOTOR SERVICE

The electric motor is capable of operating for many years with a reasonably small amount of maintenance. Before attempting to service the motor, disconnect the SURFACE GRINDER from the power source. Clean the motor surfaces periodically, preferably with a vacuum cleaner. Heavy accumulations of dirt and lint will result in overheating and premature failure of the motor.

The electric motor is equipped with higher capacity ball bearings and under normal service and ambient temperatures should not require relubrication for many years. If you feel that the motor requires relubrication, contact the local representative of the motor manufacturer for specific information.

The seals utilized with the motor are intended to deliver a longer service life in a concrete dust environment. When replacing the seals, utilize only components meeting the original factory specifications.

Troubleshooting

ELECTRIC MOTOR

MOTOR FAILS TO START

ON/OFF switch in the OFF position. Turn the switch to the ON position.

SURFACE GRINDER and/or extension cord is not plugged into the power source. Determine that all electrical connections have been properly made. The NEMA 6-20 Series cap and receptacle set is of a twist lock configuration and requires a twist motion to ensure a proper connection.

Improper extension cord size and capacity. Operate the SURFACE GRINDER with copper stranded, 8 AWG or larger extension cords. Improper extension cord size and capacity will result in significant heat rise and corresponding voltage and amperage drop.

Thermal protection device activated. To protect the motor against heat related damage, an automatic thermal protection switch is provided near the voltage selection switch. High operating temperatures will activate the switch and shut the motor off. After the motor has cooled to an acceptable temperature level, depress the switch to restart.

ELECTRIC MOTOR LOSES POWER

Improper extension cord size and capacity. Replace with cords meeting the required specifications.

Excessive extension cord length. Even with proper extension cord size and capacity, excessive cord length can reduce the available voltage and amperage to the motor. Measure the available voltage to the motor where the extension cord connects to the SURFACE GRINDER with a voltmeter. Reduce the extension cord length as required to achieve the minimum voltage operating specification as required by the motor manufacturer.

Insufficient available voltage and amperage at the power source. Measure the available voltage at the power source (usually a receptacle) with a voltmeter. If the available voltage is below the minimum operating specification as required by the motor manufacturer, utilize an alternative power source.

Improper motor cooling. See ELECTRIC MOTOR SERVICE.

Excessive load to the motor. See OPERATING THE SURFACE GRINDER ON THE JOBSITE.

OPERATIONAL PROBLEMS

UNEVEN MULTI-ACCESSORY ATTACHMENT WEAR

Incorrect installation of the attachment in the aluminum disc. See INSTALLING A MULTI-ACCESSORY ATTACHMENT ON THE ROTATING DISC.

Worn or damaged gimbal head Lord® rubber mounts. Replace mounts.

Accumulation of foreign material on the multi-accessory attachment. Clean and/or replace the attachment components as necessary.

Flails and spacer washers are mounted too tight on the scarifier frame. Remove and/or replace flails and spacer washers. See MULTI-ACCESSORY ATTACHMENTS AND APPLICATIONS.

EXCESSIVE JUMPING ON THE WORK SURFACE

Incorrect installation of the attachment in the aluminum rotating disc. See INSTALLING A MULTI- ACCESSORY ATTACHMENT ON THE ROTATING DISC.

Worn or damaged gimbal head Lord® rubber mounts. Replace mounts.

Loose gimbal head fasteners. Retorque fasteners as required.

ACCELERATED V-BELT WEAR

Misaligned and/or improperly tensioned pulleys. Readjust pulleys and V-belt. See SERVICE section.

Worn pulleys. Replace pulleys as required. See INSTALLING A REPLACEMENT V-BELT OR PULLEY.

Improper V-belt. Replace with a name brand B45 series V-belt. See INSTALLING A REPLACEMENT V-BELT OR PULLEY.

ACCELERATED BEARING WEAR AND/OR FAILURE

Misaligned and/or improperly tensioned pulleys. Readjust pulleys and V-belt. See SERVICE section.

Bent transmission input or output shaft. Replace affected shaft(s).

Improper lubrication. See LUBRICATION REQUIREMENTS.

UNEVEN GRINDING ACTION

Excessive material build-up on the caster wheel face surface. Remove the material.

Excessive caster wheel bearing wear. Replace the caster wheel. Excessive axle wear. Replace axle.

Flails and/or spacer washers are mounted too tight on the scarifier frame. Remove and/or replace flails and spacer washers. See MULTI ACCESSORY ATTACHMENTS AND APPLICATIONS.

Mixing new and worn flails, silicon carbide stones, etc. Remove and replace with components of the same, approximate size and diameter. See MULTI ACCESSORY ATTACHMENTS AND APPLICATIONS.

Storage

Proper procedure for long term storage of the SURFACE GRINDER will protect it against the effects of corrosion and damage. If the SURFACE GRINDER is not to be operated for a period of 30 days or more, proceed to store as follows:

- 1) Clean all accumulated foreign material from the SURFACE GRINDER utilizing an appropriate safety solvent.



CAUTION

Observe all applicable safety precautions for the solvent.

- 2) Check all visible parts for wear, breakage or damage. Order any part not required to make the necessary repair. This will avoid a needless delay when operating the SURFACE GRINDER at next use.
- 3) Apply a dry film lubricant to all exposed metal components to prevent the formation of rust.
- 4) Store the SURFACE GRINDER inside. If the SURFACE GRINDER must be stored outside, protect it with a suitable covering.

Specifications

STRUCTURE	Unitized, Welded Steel Plate
DRIVE REDUCTION SYSTEM	B45 Series Belt/Pulley/Spur Gear transmission.
MAXIMUM GRINDING WIDTH	10 inches (254 mm)
OVERALL MACHINE WIDTH	27-1/2 inches (699 mm)
OVERALL MACHINE LENGTH	55.25 inches (1,403 mm)
TYPICAL OPERATOR HANDLE HEIGHT	38 inches (965 mm)
VACUUM CLEANER CONNECTION DIAMETER	3 inches (76 mm)
BASIC WEIGHT	235 lbs (107 kg)

SFG10E ELECTRIC MOTOR, 1.5 hp, 1725 RPM, 13.7 amperes @ 115 VAC, 60 Hz. The electric motor requires a clean (no other electric products on the same circuit) 20 ampere capacity circuit to properly function on 115 VAC, 60 Hz.

EXPLANATION OF CODE IN REMARKS COLUMN

The following section explains the different symbols and remarks used in the Parts section of this manual. Use the help numbers found on the back page of the manual if there are any questions.

The contents and part numbers listed in the parts section are subject to change **without notice**. Multiquip does not guarantee the availability of the parts listed.

Sample Parts List:

NO.	PART NO.	PART NAME	QTY.	REMARKS
1	12345	BOLT	1	INCLUDES ITEMS W/*
2*		WASHER, 1/4 IN.		NOT SOLD SEPARATELY
2*	12347	WASHER, 3/8 IN. ...	1	MQ-45T ONLY
3	12348	HOSE	A/R	MAKE LOCALLY
4	12349	BEARING	1	S/N 2345B AND ABOVE

NO. Column

Unique Symbols - All items with same unique symbol (*, #, +, %, or >) in the number column belong to the same assembly or kit, which is indicated by a note in the "Remarks" column.

Duplicate Item Numbers - Duplicate numbers indicate multiple part numbers are in effect for the same general item, such as different size saw blade guards in use or a part that has been updated on newer versions of the same machine.



When ordering a part that has more than one item number listed, check the remarks column for help in determining the proper part to order.

PART NO. Column

Numbers Used - Part numbers can be indicated by a number, a blank entry, or TBD.

TBD (To Be Determined) is generally used to show a part that has not been assigned a formal part number at time of publication.

A blank entry generally indicates that the item is not sold separately or is not sold by Multiquip. Other entries will be clarified in the "Remarks" Column.

QTY. Column

Numbers Used - Item quantity can be indicated by a number, a blank entry, or A/R.

A/R (As Required) is generally used for hoses or other parts that are sold in bulk and cut to length.

A blank entry generally indicates that the item is not sold separately. Other entries will be clarified in the "Remarks" Column.

REMARKS Column

Some of the most common notes found in the "Remarks" Column are listed below. Other additional notes needed to describe the item can also be shown.

Assembly/Kit - All items on the parts list with the same unique symbol will be included when this item is purchased.

Indicated by:

"INCLUDES ITEMS W/(unique symbol)"

Serial Number Break - Used to list an effective serial number range where a particular part is used.

Indicated by:

"S/N XXXXX AND BELOW"

"S/N XXXX AND ABOVE"

"S/N XXXX TO S/N XXX"

Specific Model Number Use - Indicates that the part is used only with the specific model number or model number variant listed. It can also be used to show a part is NOT used on a specific model or model number variant.

Indicated by:

"XXXXX ONLY"

"NOT USED ON XXXX"

"Make/Obtain Locally" - Indicates that the part can be purchased at any hardware shop or made out of available items. Examples include battery cables, shims, and certain washers and nuts.

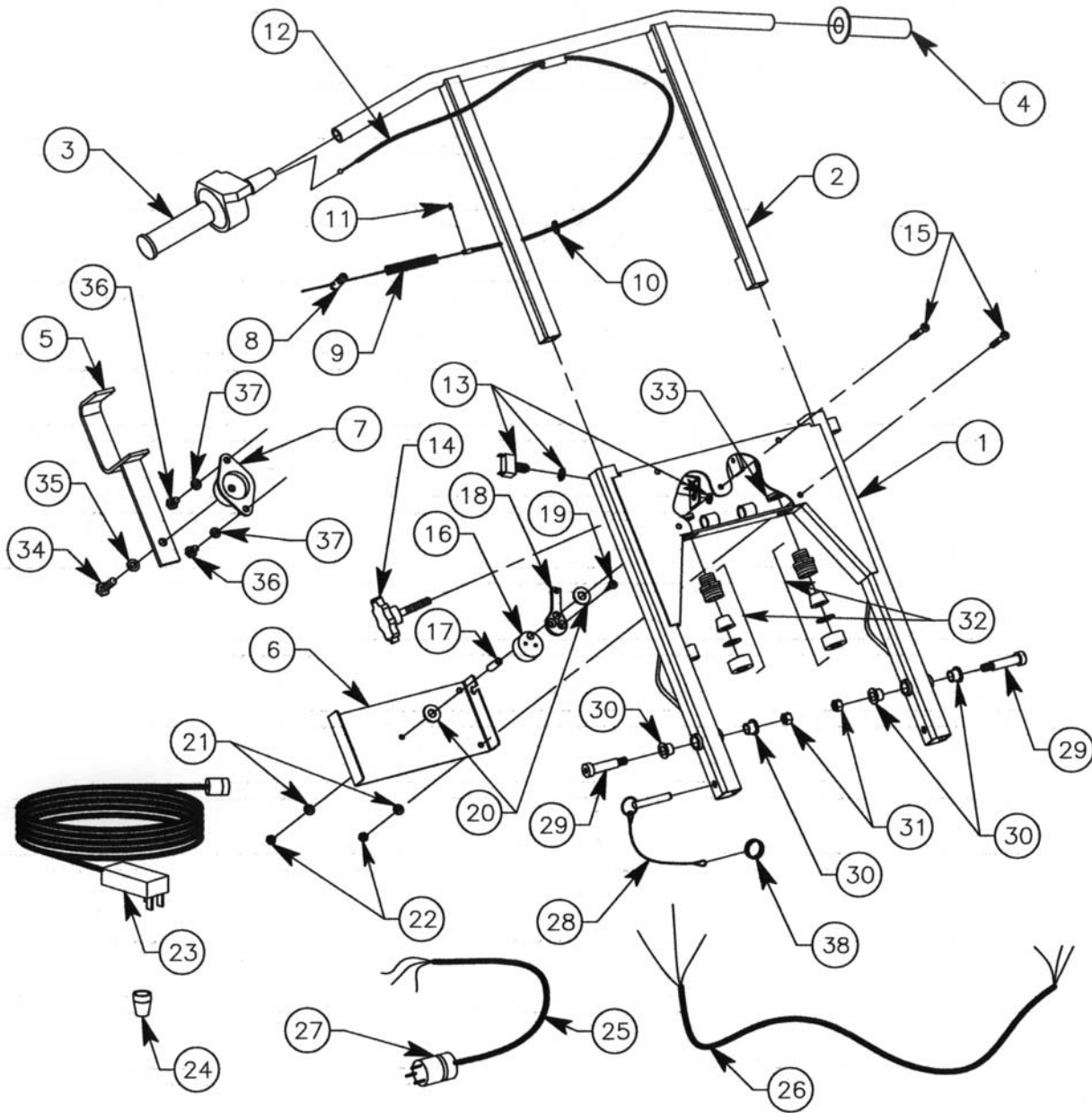
"Not Sold Separately" - Indicates that an item cannot be purchased as a separate item and is either part of an assembly/kit that can be purchased, or is not available for sale through Multiquip.

SFG10E SURFACE GRINDER 1 TO 3 UNITS

Qty.	P/N	Description
1	SF3100081	CABLE, THROTTLE
1	SFSG120330	SWITCH, 115V
2	SFB45	V-BELT, TRANSMISSION

OPERATOR HANDLE ASSY.

OPERATOR HANDLE ASSY.



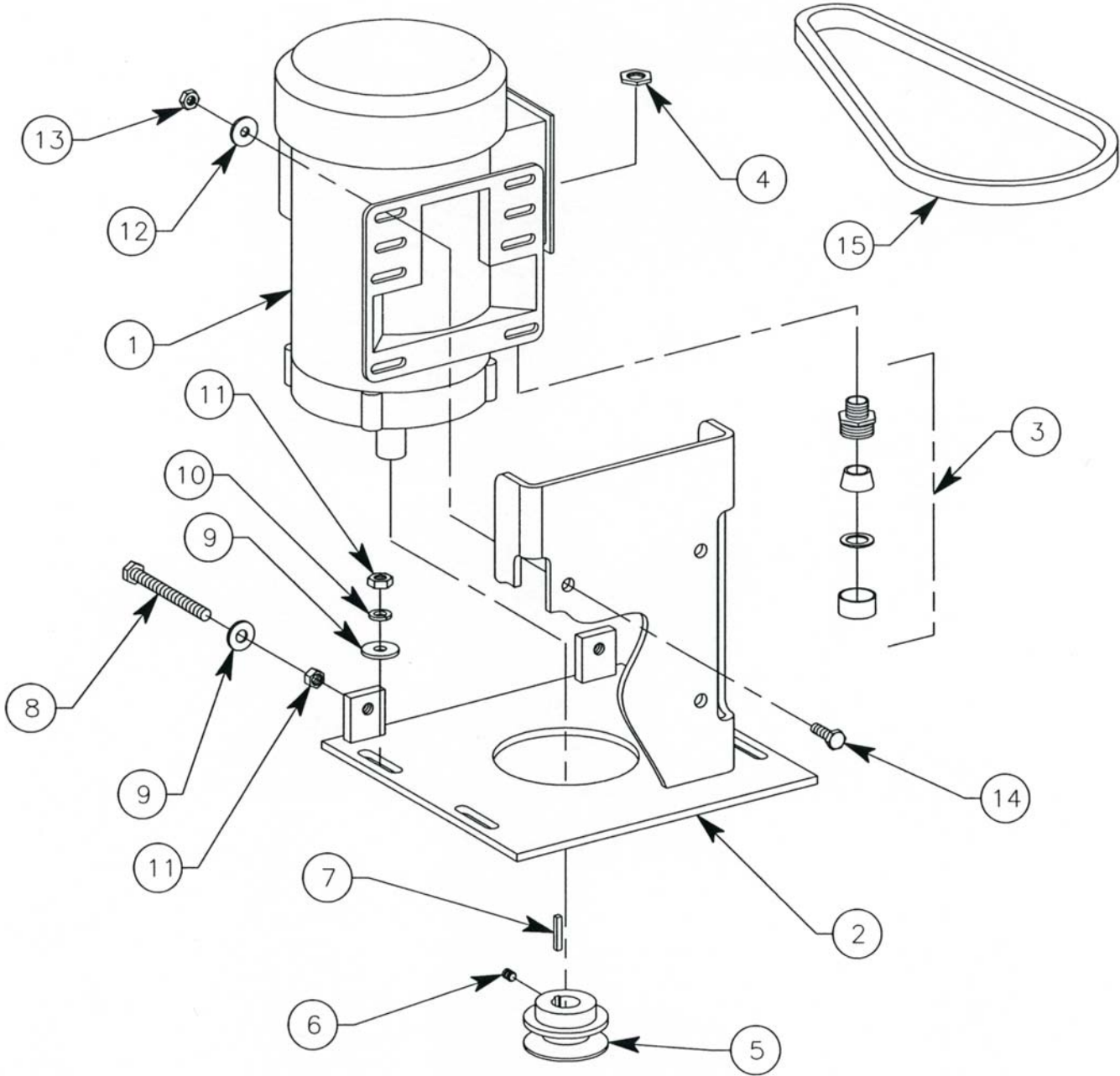
OPERATOR HANDLE ASSY.

OPERATOR HANDLE ASSY.

NO.	PART NO.	PART NAME	QTY.	REMARKS
1	SFSG120180	HANDLE, LOWER	1	
2	SFSG120110	HANDLE, TOP	1	
3	SF3100030	THROTTLE, TWIST CONTROL, PLASTIC, COMPL.	1	
4	SFSG120415	GRIP, 7/8", BLACK	1	
5	SFSG120280	CLAMP, HOSE	2	
6	SFSG120190	COVER, SWITCH	1	
7	SF6600900	MOUNT, RUBBER	2	
8	SFWS277	ASSEMBLY, SWIVEL	1	
9	SFSG120350	SPRING, COMPRESSION	1	
10	SFCS160300	GROMMET	1	
11	SFSG120340	E-CLIP, 7/32" EXTERNAL	1	
12	SF3100081	CABLE, THROTTLE	1	
13	SFSG120330	SWITCH, 115V	1	
14	SFSG120050	KNOB ASSY	2	
15	SF37041300	SCREW, MACHINE, PAN HEAD PHILLIPS, 1/4-20 UNC X 1-5/8", PLATED	5	
16	SFSG120170	CAM, SWITCH	1	
17	SFSG120150	TUBE, PIVOT	1	
18	SFSG120160	LEVER, SWITCH	1	
19	SFSG120380	SCREW, WOOD, FLAT HEAD PHILLIPS, #12 X 7/8"	2	
20	SF17060000	WASHER, FLAT, 3/8", PLATED	2	
21	SF16040000	WASHER, LOCK, 1/4", PLATED	5	
22	SF90040000	NUT, ACRON, 1/4-20 UNC, PLATED	5	
23	SFCS161000	EXTENSION CORD, GFCI	1	
24	SFWIRE NUT Y	NUT, WIRE, YELLOW	3	
25	SFSG120260	CABLE, SWITCH TO PLUG	1	
26	SFSG120270	CABLE, SWITCH TO MOTOR	1	
27	SFHUB4720C	PLUG, TWIST LOCK, MALE, 15A	1	
28	SFCS160210	PIN WITH LANYARD	2	
29	SF62081400	BOLT, SHOULDER, 1/2" X 1-3/4"	2	
30	SFCS160340	BUSHING, BRONZE, 1/2" ID	4	
31	SF86060000	NUT, HEXAGON, FLANGE, 3/8-16 UNC, PLATED	2	
32	SFCG5050	RELIEF, STRAIN	2	
33	SF801	NUT, BULKHEAD (INCLUDED WITH ITEM 32)	2	
34	SF15060800	SCREW, CAP, 3/8-16 UNC X 1", PLATED	2	
35	SF16060000	WASHER, LOCK, 3/8", PLATED	2	
36	SF15050400	SCREW, CAP, 5/16-18 UNC X 1/2", PLATED	4	
37	SF16050000	WASHER, LOCK, 5/16", PLATED	4	
38	KIC172	RING, KICK OUT	2	

ELECTRIC MOTOR ASSY.

ELECTRIC MOTOR ASSY.



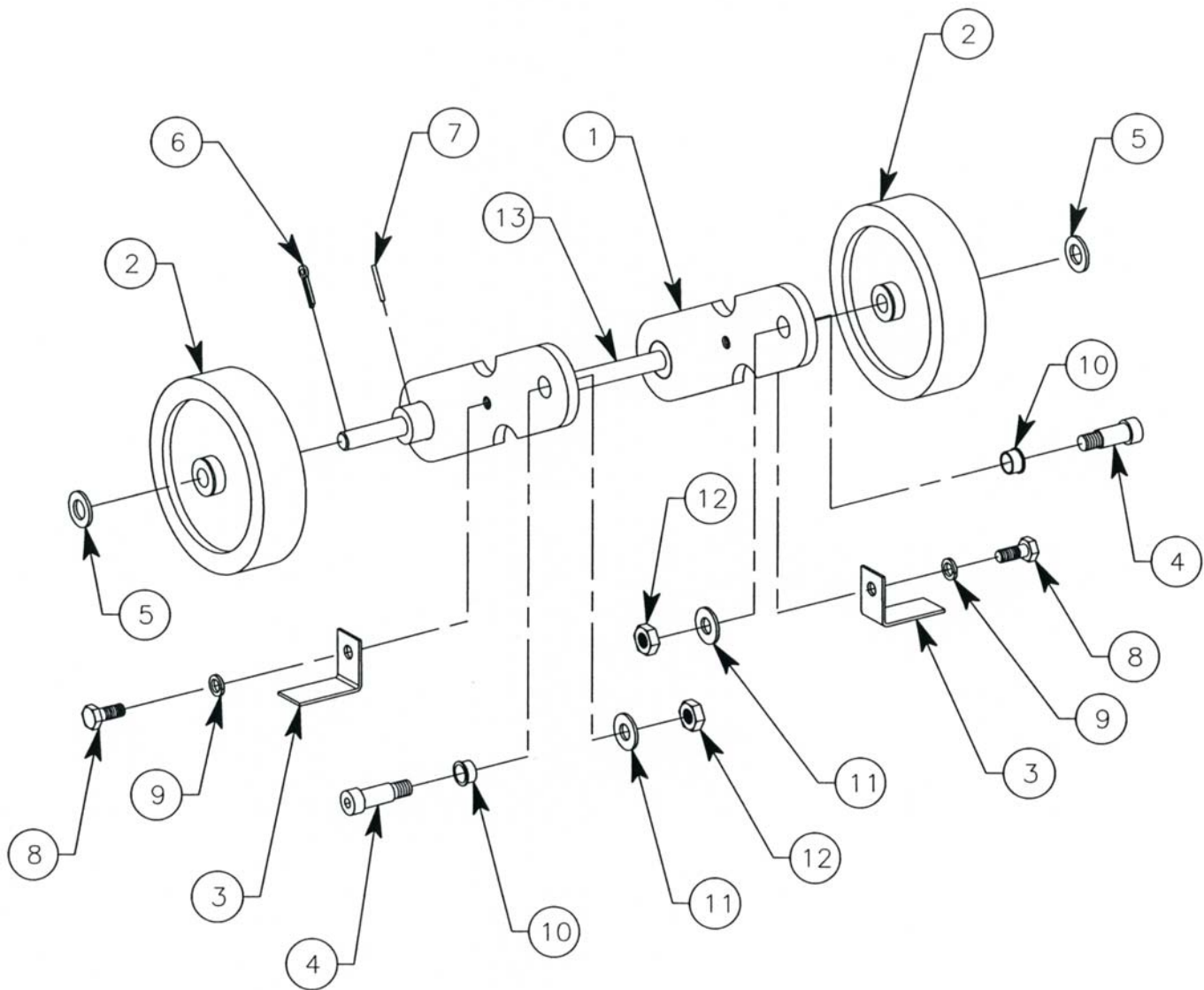
ELECTRIC MOTOR ASSY.

ELECTRIC MOTOR ASSY.

<u>NO.</u>	<u>PART NO.</u>	<u>PART NAME</u>	<u>QTY.</u>	<u>REMARKS</u>
1	SFSG120030	MOTOR, ELECTRIC, 1-1/2 HP, 115 VAC	1	
2	SFSG120250	MOUNT, ELECTRIC MOTOR	1	
3	SFCG5050	RELIEF, STRAIN	1	
4	SF801	NUT, BULKHEAD (INCLUDED WITH ITEM 3)		REFERENCE
5	SFSG120400	PULLEY	1	
6	SF31050600	SCREW, SET, CUP POINT, 5/16-18 UNC X 3/8" (INCLUDED WITH ITEM 5)	1	
7	SF63030800	KEY, SQUARE, 3/16" X 3/16" X 1"	1	
8	SFCS80470	SCREW, CAP, 3/8-16 UNC X 3-1/2", FULL THREAD, PLATED	2	
9	SF17060000	WASHER, FLAT, 3/8", PLATED	6	
10	SF16060000	WASHER, LOCK, 3/8", PLATED	4	
11	SF18060000	NUT, HEXAGON, 3/8-16 UNC, PLATED	6	
12	SF17040000	WASHER, FLAT, 1/4", PLATED	4	
13	SF53050000	NUT, HEXAGON, NYLOC, 5/16-18 UNC, PLATED	4	
14	SF15050800	SCREW, CAP, 5/16-18 UNC X 1", PLATED	4	
15	SFB45	BELT, V TYPE	1	

WHEEL DOLLY ASSY.

WHEEL DOLLY ASSY.

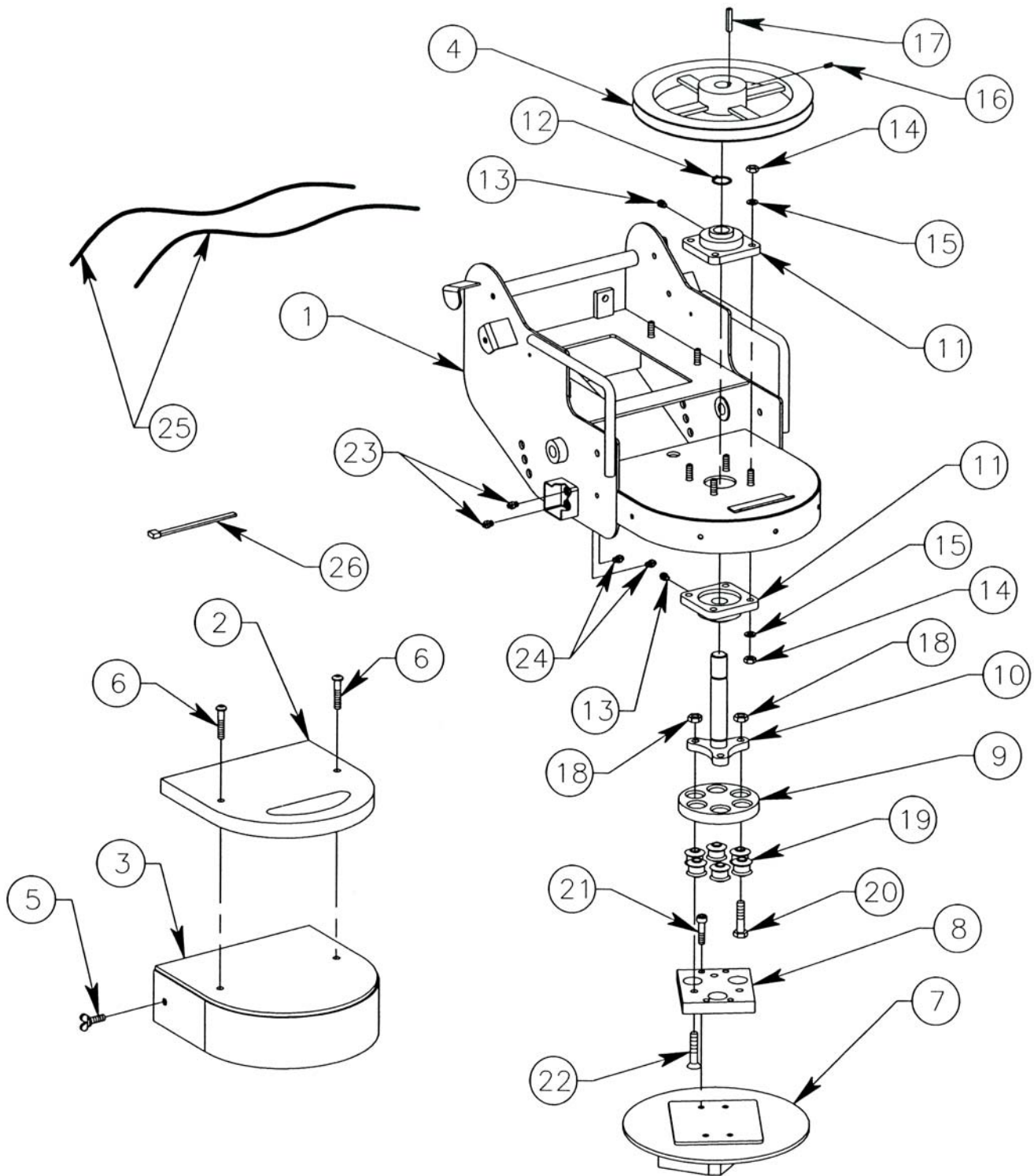


WHEEL DOLLY ASSY.

WHEEL DOLLY ASSY.

<u>NO.</u>	<u>PART NO.</u>	<u>PART NAME</u>	<u>QTY.</u>	<u>REMARKS</u>
1	SFSG240190	ARM, SWING	2	
2	SFSG240260	WHEEL	2	
3	SFSG120370	SCRAPER, WHEEL	2	
4	SF62121200	BOLT, SHOULDER, 3/4-10 UNC X 1-1/2"	2	
5	SF17120000	WASHER, FLAT, 3/4", PLATED	2	
6	SF22022400	PIN, COTTER, 5/32" X 1-1/2", PLATED	2	
7	SF20031200	PIN, ROLL, 3/16" X 1-1/4", PLATED	2	
8	SF15081000	SCREW, CAP, 1/2-13 UNC X 1-1/4", PLATED	2	
9	SF16080000	WASHER, LOCK, 1/2", PLATED	2	
10	SF6600410	BEARING, OILITE	2	
11	SF17100000	WASHER, FLAT, 5/8", PLATED	2	
12	SF18100000	NUT, HEXAGON, 5/8-11 UNC, PLATED	2	
13	SFSG120200	AXLE, PLATED	1	

FRAME ASSY.

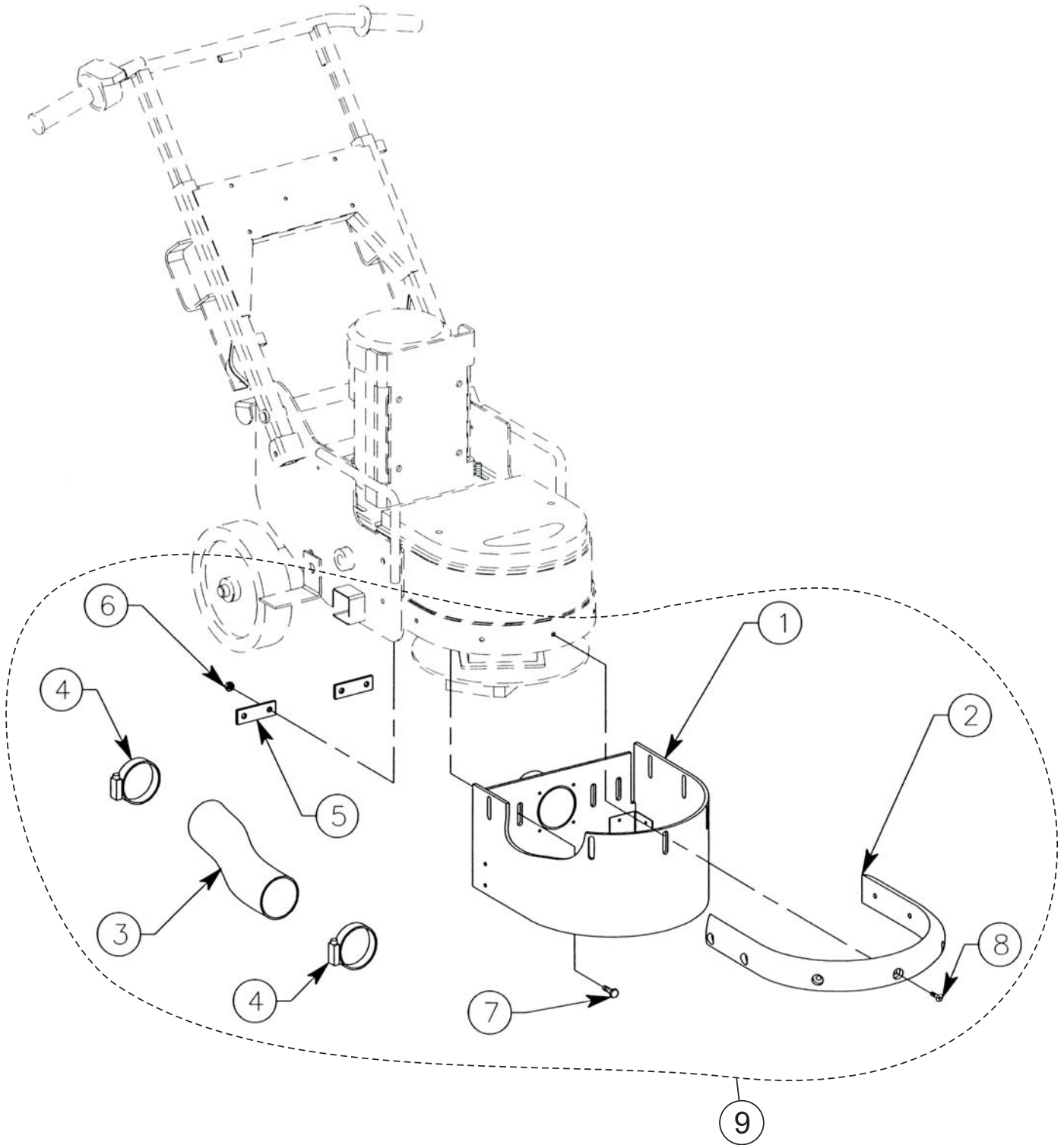


FRAME ASSY.

<u>NO.</u>	<u>PART NO.</u>	<u>PART NAME</u>	<u>QTY.</u>	<u>REMARKS</u>
1	SFSG120010	FRAME, MAIN	1	
2	SFSG120360	WEIGHT	1	
3	SFSG120020	COVER, BELT	1	
4	SFSG120410	PULLEY	1	
5	SF91060600	SCREW, THUMB, 3/8-16 UNC X 3/4", PLATED	2	
6	SF34061600	SCREW, MACHINE, ROUND HEAD, 3/8-16 UNC X 2", PLATED	2	
7	SFSG240140	DISC, MULTI-ACCESSORY, LH	1	
8	SFSG240130	BAR, MOUNTING	1	
9	SFSG240120	DISC, MOUNTING	1	
10	SFSG120240	SHAFT	1	
11	SFHFSF20516G	BEARING	2	
12	SF516098	RING, SNAP	2	
13	SFSG120130	CONNECTOR, GREASE, 1/4-28 UNF	2	
14	SF18060000	NUT, HEXAGON, 3/8-16 UNC, PLATED	8	
15	SF16060000	WASHER, LOCK, 3/8", PLATED	8	
16	SF31050600	SCREW, SET, CUP POINT, 5/16-18 UNC X 3/8" (INCLUDED WITH ITEM 4)	1	
17	SF63041200	KEY, SQUARE, 1/4" X 1/4" X 1-1/2"	1	
18	SF53070000	NUT, HEXAGON, LOCKING, 7/16-14 UNC, PLATED	6	
19	SFJ62502	MOUNT, RUBBER	6	
20	SF15071600	SCREW, CAP, 1/16-14 UNC X 2", PLATED	3	
21	SF60061200	SCREW, SOCKET, 3/8-16 UNC X 1-1/2", PLATED	4	
22	SF27071800	SCREW, COUNTERSUNK, 7/16-14 UNC X 2-1/4"	3	
23	SFSP80590	FITTING, GREASE, STRAIGHT	2	
24	SFSG120120	CONNECTOR, GREASE, 1/8 PIPE	2	
25	SFSG120140	HOSE, GREASE, 5/32", CLEAR (13" LENGTH)	2	
26	SF6600560	TIE, NYLON, 6" LONG	1	

SAFETY AND DUST SHIELD ASSY.

SAFETY AND DUST SHIELD ASSY.



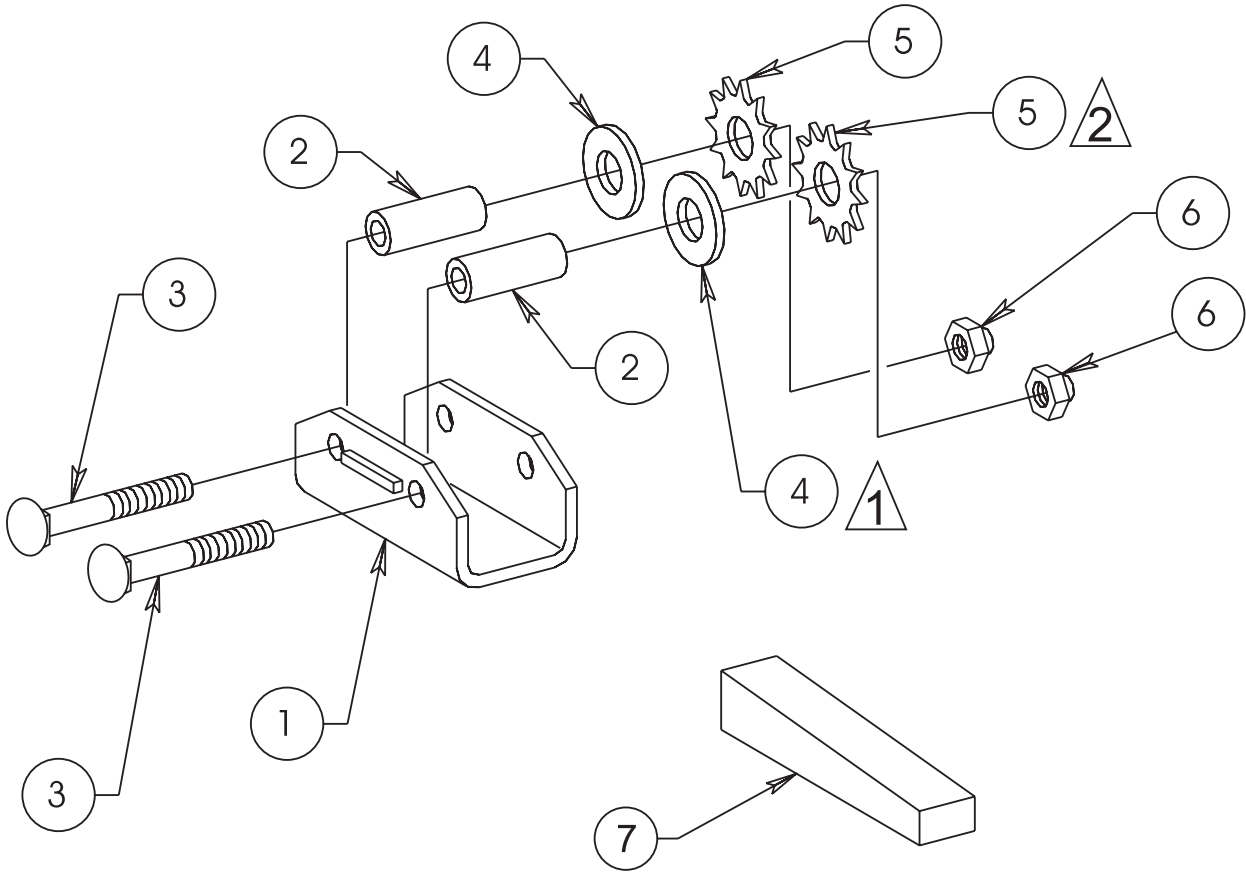
SAFETY AND DUST SHIELD ASSY.

SAFETY AND DUST SHIELD ASSY.

<u>NO.</u>	<u>PART NO.</u>	<u>PART NAME</u>	<u>QTY.</u>	<u>REMARKS</u>
1#	SFSG120230	SKIRT ASSY	1	
2#	SFSG120220	BUMPER, RUBBER	1	
3#	SFSG120060	HOSE, VACUUM	1	
4#	SF56480000	CLAMP, HOSE, 3"	2	
5#	SFSG120040	STRAP, SKIRT	2	
6#	SF53050000	NUT, HEXAGON, NYLOC, 5/16-18 UNC, PLATED	4	
7#	SF15050700	SCREW, CAP, 5/16-18 UNC X 7/8", PLATED	4	
8#	SF61040800	SCREW, COUNTERSUNK, 1/4-20 UNC X 1", PLATED	7	
9	SFSG121000	SAFETY AND DUST SHIELD ASSY. KIT	1	INCLUDES ITEMS W/#

SCARIFIER ASSY.

SCARIFIER ASSY.



NOTES:

▲ 12 REQUIRED WITH 29019-010 AND 29019-011 FAILS. 8 REQUIRED WITH 29019-012 FAILS

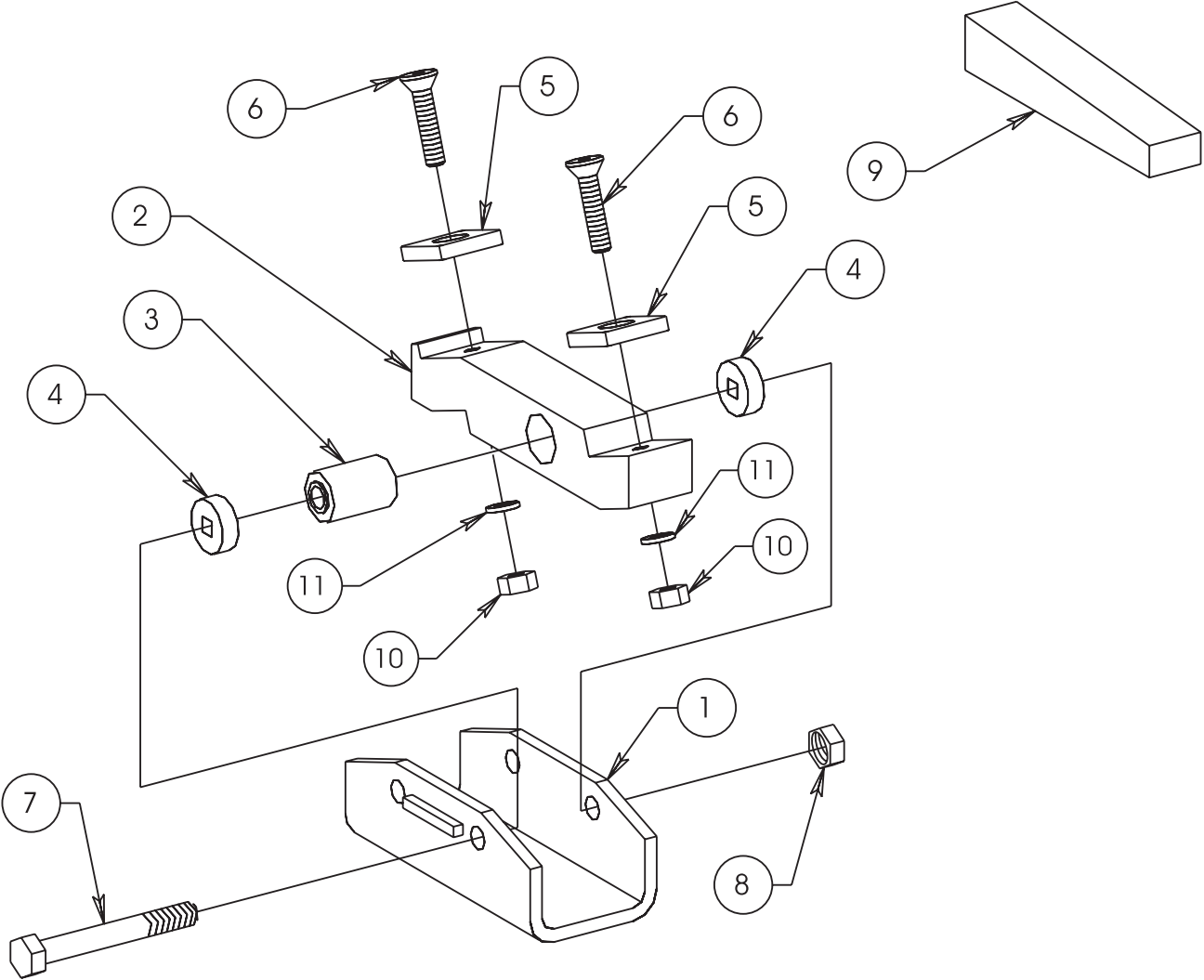
▲ OPTIONAL CONFIGURATIONS DEPENDING ON JOB REQUIREMENTS.

SCARIFIER ASSY.

<u>NO.</u>	<u>PART NO.</u>	<u>PART NAME</u>	<u>QTY.</u>	<u>REMARKS</u>
1	SSG241900012	HOUSING	1	
2	29018-083	BUSHING	2	
3	87052000	BOLT CARRIAGE 3/8"-16 UNC X 2-1/2 UNC, PLATED	2	
4	29019-013	WASHER, FLAT 5/8", HEAT TREATED	12	SEE NOTE 1
5	29019-010	FAIL, STAR HEAT TREATED STEEL	12	SEE NOTE 2
5	29019-011	FAIL, BEAM HEAT TREATED STEEL	12	SEE NOTE 2
5	29019-012	FAIL, PENTAGONAL HEAT TREATED STEEL	12	SEE NOTE 2
6	08233-006	NUT, HEX 3/8" UNC, NYLOCK PLATED	2	
7	29019-017	WEDGE, PLASTIC	1	

SCRAPE-R-TACH ASSY.

SCRAPE-R-TACH ASSY.



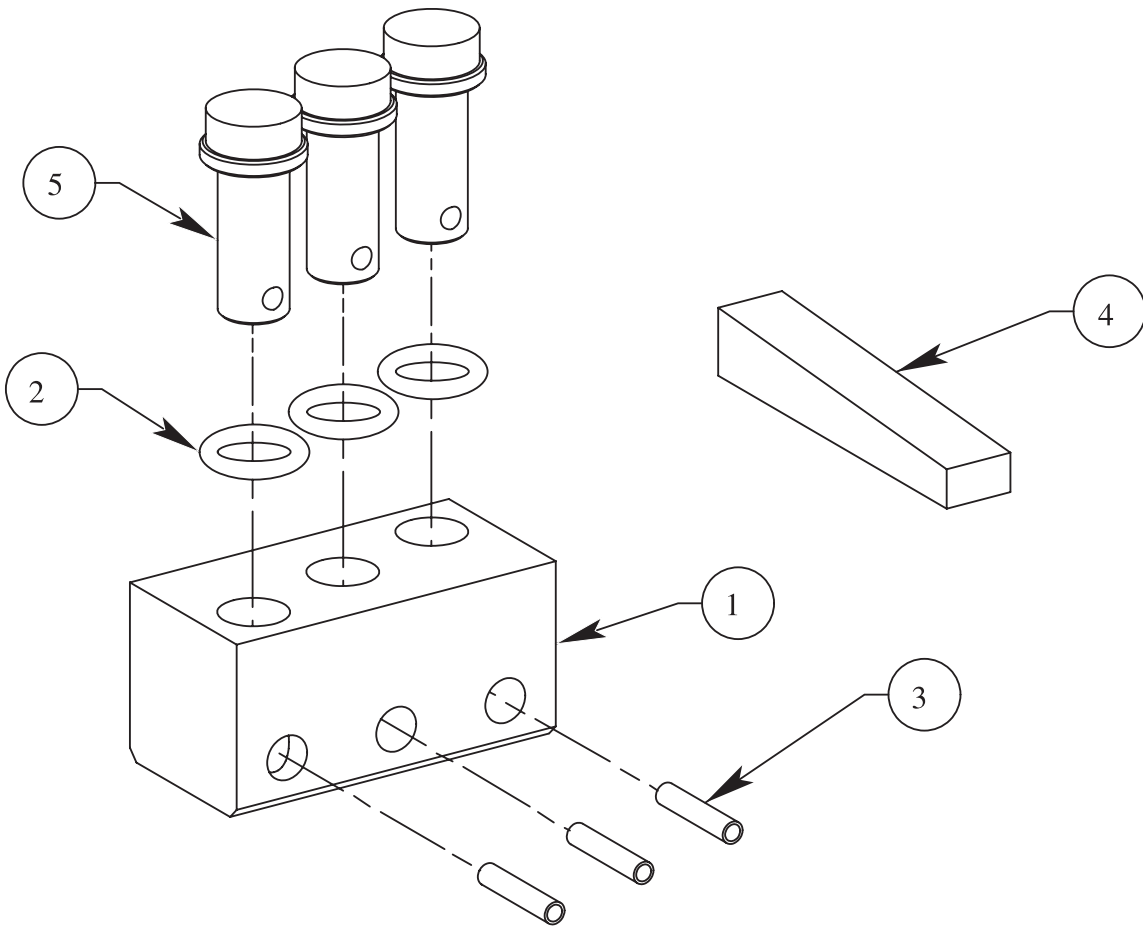
SCRAPE-R-TACH ASSY.

SCRAPE-R-TACH ASSY.

<u>NO.</u>	<u>PART NO.</u>	<u>PART NAME</u>	<u>QTY.</u>	<u>REMARKS</u>
1	29018-082	HOUSING	1	
2	29018-084	HOLDER, INSERT	1	
3	29018-085	MOUNT, RUBBER	1	
4	29018-086	SPACER	2	
5	29019-019	INSERT, TUNGSTEN CARBIDE	2	
6	29018-087	SCREW, C/S 1/4" UNC X 1-1/4"	2	
7	06500-020	BOLT CARRIAGE 5/16 UNC X 2-1/2" PLATED GD. 5	1	
8	08233-005	NUT, NYLOCK 5/16"-1/8" UNC, PLATED	1	
9	29019-017	WEDGE, PLASTIC	1	
10	07033-004	NUT, HEX 1/4"-20 PLATED	2	
11	07029-004	WASHER, LOCK1/4" PLATED	2	

GRINDING BLOCK ASSY.

GRINDING BLOCK ASSY.

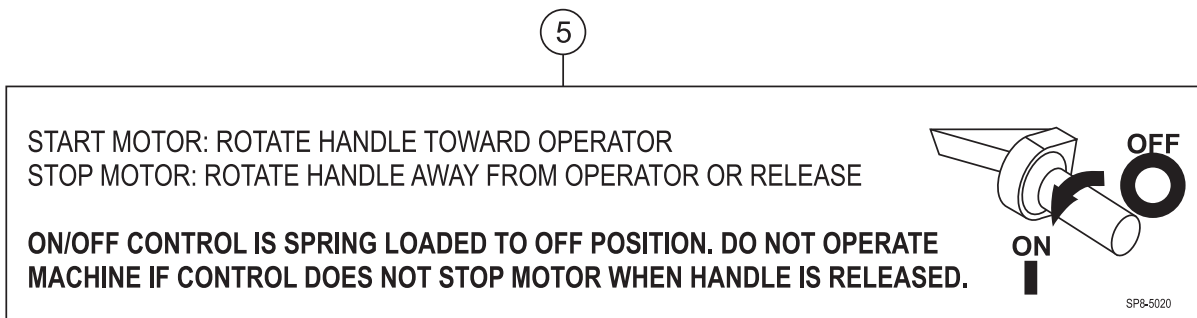
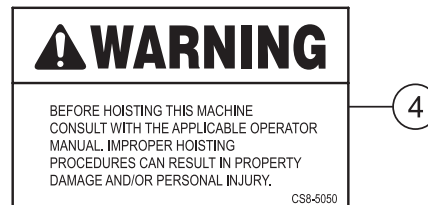
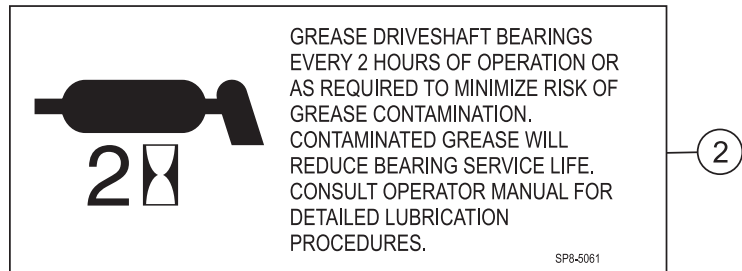


GRINDING BLOCK ASSY.

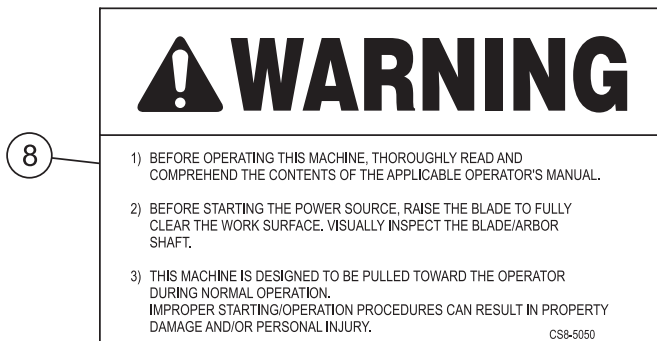
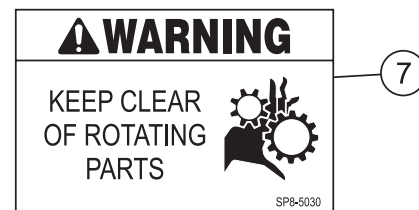
GRINDING BLOCK ASSY.

<u>NO.</u>	<u>PART NO.</u>	<u>PART NAME</u>	<u>QTY.</u>	<u>REMARKS</u>
1	SG242101010	BLOCK	1	
2	SG242101030	O-RING	3	
3	83040901	PIN, RETAINING, STAINLESS STEEL	3	
4	29019-017	WEDGE PLASTIC	1	
5	SSG242100020	PIN, DIAMOND PURPLE 40-50 GRIT	3	AGGRESS GRINDING
5	SSG242101020	PIN, DIAMOND YELLOW 40-50 GRIT	3	GENERAL PURPOSE
5	SSG242102020	PIN, DIAMOND BLACK 40-50 GRIT	3	EPOXY, MORTAR & ASPHALT
5	SSG242103020	PIN, DIAMOND GREEN 40-50 GRIT	3	CONCRETE AND ASPHALT
5	SSG242104020	PIN, DIAMOND RED 40-50 GRIT	3	GRINDING AND POLISHING

DECALS



6 STOW



DECALS

<u>NO.</u>	<u>PART NO.</u>	<u>PART NAME</u>	<u>QTY.</u>	<u>REMARKS</u>
1	29020-045	DECAL, WARNING	1	
2	SFSP85061	DECAL, GREASE BEARINGS	1	
3	29020-048	DECAL, WARNING	2	
4	29022-035	DECAL, WARNING	2	
5	SFSP85020	DECAL, MOTOR START/STOP	1	
6	SFDCLSDP	DECAL, STOW (LARGE)	1	
7	29020-049	DECAL, WARNING	1	
8	SFSP8E5HP5020	DECAL, WARNING	1	



Terms and Conditions of Sale STOW Construction Equipment

PAYMENT TERMS

Terms of payment for unit sales are 2% 15 days net 30 days from date of invoice unless otherwise specifically stated on our invoice.

Parts invoices have terms of net 10 days.

Minimum parts billing is \$15.00 net.

Applicable discounts will be computed on merchandise value only. Late charges will be assessed at prevailing rates. Cash discounts cannot be taken on current billings if any previously billed amounts are past due.

FREIGHT POLICY

Freight policy is established to offer customers every advantage possible. Due to bulk freight ratings on some equipment and other shipping considerations, freight policies differ by equipment type. Actual back freight may be charged for shipments originating from other than specified FOB warehouses.

See Freight Policy for details.

All STOW domestic sales are FOB nearest available designated MQ/STOW warehouse. Export orders are ex-works factory located in Carson, CA or Boise, ID.

Additions to orders already shipped cannot be accepted for freight minimums.

Should STOW elect to make partial shipments of an order originally complying with the "freight allowed" requirements, transportation charges will be absorbed by STOW on any subsequent shipment applying to that order.

All other orders will be shipped collect or prepaid with charges added to the invoice. STOW's responsibility ceases when a signed manifest has been obtained from the carrier, and any claim for shortage or damage must be settled between the consignee and the carrier.

Parts: FOB Carson, California or Boise, Idaho. **See Freight Policy for details and additional discounts.**

DROP SHIPMENTS

STOW reserves the right to refuse Drop Shipments outside the normal service area of the purchasing dealer.

FIELD WAREHOUSES

Field Warehouses are currently located in California, Georgia, Idaho, Iowa, and New Jersey

SPECIAL EXPEDITING SERVICE

The higher of a \$35.00 surcharge or actual costs will be added to the invoice for special handling, including bus shipments, or in cases where STOW personnel must personally deliver the equipment or parts to the carrier.

RETURNED GOODS POLICY

Return shipments may be accepted and credit allowed, subject to the following provisions.

1. A Returned Material Authorization (RMA) must be approved by STOW prior to shipment. Approvals for returned goods must be with just cause and are at the sole discretion of STOW. A copy of the Authorization must accompany the shipment to the designated Warehouse.
2. Parts being returned must be listed as currently supplied on the current parts list.
3. Parts must be in new and resalable condition in the original package, with part numbers clearly marked.
4. Units and accessories must be current models in the latest price list and in new and resalable condition.
5. Special order items are not returnable for credit.
6. Credit on returned parts and units will be issued at actual dealer net price at time of purchase less 15% restocking charge.
7. All returned shipments are to be made to the STOW designated receiving point, freight prepaid at the sender's expense.

The sender will be notified of any material received that does not meet the above provisions. Such material will be held for 30 days from notification pending instructions. If a reply is not received within 30 days, the material will be returned to the sender at his expense with no credit issued.

PRICING, REBATES AND SPECIFICATIONS

Every effort will be made to provide adequate notice of changes; however, prices and equipment specifications are subject to change without notice.

Price changes are effective on a specific date and all orders received on or after that date will be billed at the revised price.

Rebates for price reductions and added charges for price increases will not be made for stock in dealer inventory at the time of a price change.

STOW reserves the right to quote and sell direct to Government agencies and to Original Equipment Manufacturer accounts who use our products as integral parts of their own products.

LIMITATION OF SELLER'S LIABILITY

STOW shall not be liable hereunder for damages in excess of the purchase price of the item with respect to which damages are claimed and in no event shall STOW be liable for loss of profit or good will or for any other special, consequential or incidental damages.

LIMITATION OF WARRANTIES

There are no warranties, express or implied, made by STOW hereunder on Products manufactured or distributed by it except the warranty against defects in material and workmanship on new Products to the original purchaser, as set forth in the STOW New Product Limited Warranty.

OPERATION AND PARTS MANUAL

HERE'S HOW TO GET HELP

PLEASE HAVE THE MODEL AND SERIAL
NUMBER *ON-HAND* WHEN CALLING

UNITED STATES

Multiquip Corporate Office

18910 Wilmington Ave. Tel. (800) 421-1244
Carson, CA 90746 Fax (800) 537-3927
Contact: mq@multiquip.com

Mayco Parts

800-306-2926 Fax: 800-672-7877
310-537-3700 Fax: 310-637-3284

Service Department

800-421-1244 Fax: 310-537-4259
310-537-3700

MQ Parts Department

800-427-1244 Fax: 800-672-7877
310-537-3700 Fax: 310-637-3284

Warranty Department

800-421-1244, Ext. 279 Fax: 310-537-1173
310-537-3700, Ext. 279

Technical Assistance

800-478-1244 Fax: 310-631-5032

MEXICO

MQ Cipsa

Carr. Fed. Mexico-Puebla KM 126.5 Tel: (52) 222-225-9900
Momoxpan, Cholula, Puebla 72760 Mexico Fax: (52) 222-285-0420
Contact: pmastretta@cipsa.com.mx

CANADA

Multiquip

4110 Industriel Boul. Tel: (450) 625-2244
Laval, Quebec, Canada H7L 6V3 Fax: (450) 625-8664
Contact: jmartin@multiquip.com

UNITED KINGDOM

Multiquip (UK) Limited Head Office

Hanover Mill, Fitzroy Street, Tel: 0161 339 2223
Ashton-under-Lyne, Fax: 0161 339 3226
Lancashire OL7 0TL
Contact: sales@multiquip.co.uk

BRAZIL

Multiquip

Av. Evandro Lins e Silva, 840 - grupo 505 Tel: 011-55-21-3433-9055
Barra de Tijuca - Rio de Janeiro Fax: 011-55-21-3433-9055
Contact: cnavarro@multiquip.com.br, srentes@multiquip.com.br

STOW
A DIVISION OF MULTIQUIP INC.

STOW CONSTRUCTION EQUIPMENT

A DIVISION OF MULTIQUIP INC.
POST OFFICE BOX 6254
CARSON, CA 90749
310-537-3700 • 888-252-STOW [888-252-7869]
FAX: 310-537-1986 • FAX: 800-556-1986
E-MAIL: stow@multiquip.com
WWW: stowmfg.com

PARTS DEPARTMENT:

800-427-1244
FAX: 800-672-7877

SERVICE DEPARTMENT/ TECHNICAL ASSISTANCE:

800-478-1244
FAX: 310-631-5032