



Model E112

OWNER'S MANUAL

Manual No. 513613 Rev.1 October, 2006

**Owner's Manual
For E112
Stoelting Counter Model Gravity Freezer
Shake and Frozen Beverage**

This manual provides basic information about the freezer. Instructions and suggestions are given covering its operation and care.

The illustrations and specifications are not binding in detail. We reserve the right to make changes to the freezer without notice, and without incurring any obligation to modify or provide new parts for freezers built prior to date of change.

DO NOT ATTEMPT to operate the freezer until instructions and safety precautions in this manual are read completely and are thoroughly understood. If problems develop or questions arise in connection with installation, operation, or servicing of the freezer, contact the company at the following location:

**STOELTING, LLC
502 Hwy. 67
Kiel, WI 53042**

Ph: 800-558-5807

Fax: 920-894-7029

A Few Words About Safety

Safety Information

Read and understand the entire manual before operating or maintaining Stoelting equipment.

This Owner's Manual provides the operator with information for the safe operation and maintenance of Stoelting equipment. As with any machine, there are hazards associated with their operation. For this reason safety is emphasized throughout the manual. To highlight specific safety information, the following safety definitions are provided to assist the reader.

The purpose of safety symbols is to attract your attention to possible dangers. The safety symbols, and their explanations, deserve your careful attention and understanding. The safety warnings do not by themselves eliminate any danger. The instructions or warnings they give are not substitutes for proper accident prevention measures.

If you need to replace a part, use genuine Stoelting parts with the correct part number or an equivalent part. We strongly recommend that you do not use replacement parts of inferior quality.



Safety Alert Symbol:

This symbol Indicates danger, warning or caution. Attention is required in order to avoid serious personal injury. The message that follows the symbol contains important information about safety.

Signal Word:

Signal words are distinctive words used throughout this manual that alert the reader to the existence and relative degree of a hazard.



The signal word "WARNING" indicates a potentially hazardous situation, which, if not avoided, may result in death or serious injury and equipment/property damage.



The signal word "CAUTION" indicates a potentially hazardous situation, which, if not avoided, may result in minor or moderate injury and equipment/property damage.

CAUTION

The signal word "CAUTION" not preceded by the safety alert symbol indicates a potentially hazardous situation, which, if not avoided, may result in equipment/property damage.

NOTICE

The signal word "NOTICE" indicates information or procedures that relate directly or indirectly to the safety or personnel or equipment/property.

TABLE OF CONTENTS

SECTION	DESCRIPTION	PAGE
1. INTRODUCTION		
1.1	Description	1
1.2	Specifications	1
2. INSTALLATION INSTRUCTIONS		
2.1	Safety Precautions	3
2.2	Shipment and Transit	4
2.3	Freezer Installation	4
3. INITIAL SET-UP AND OPERATION		
3.1	Operator's Safety Precautions	5
3.2	Operating Controls and Indicators	5
3.3	Sanitizing	6
3.4	Freeze Down and Operation	7
3.5	Mix Information	7
3.6	Removing Mix From Freezer	7
3.7	Cleaning The Freezer	7
3.8	Disassembly of Freezer Parts	8
3.9	Cleaning The Freezer Parts	9
3.10	Sanitize Freezer and Freezer Parts	9
3.11	Assembly of Freezer	9
3.12	Routine Cleaning	10
3.13	Preventive Maintenance	10
3.14	Extended Storage	13
4. TROUBLESHOOTING CHARTS		
4.1	Mix Light Indicators	14
4.2	Troubleshooting Charts	14
5. REPLACEMENT PARTS		15

LIST OF ILLUSTRATIONS

FIGURE	TITLE	PAGE
1-1	Model E112 Freezer	1
1-2	Freezer Specifications	1
2-1	Warning Label Locations	3
2-2	Electrical Plug	4
3-1	Freezer Controls	5
3-2	Sanitizing Hopper	6
3-3	Mix Inlet Regulator	6
3-4	Spigot Assembly	8
3-5	Spigot and Ice Breaker Bar Removal	8
3-6	Removing O-ring	8
3-7	Cleaning Freezer Cylinder	9
3-8	Auger Rear Seal	9
3-9	Auger Assembly	10
3-10	Stator Assembly	10
3-11	Door Assembly	10

SECTION 1 DESCRIPTION AND SPECIFICATIONS

1.1 DESCRIPTION

The Stoelting E112 counter freezer is gravity fed. The freezer is equipped with fully automatic controls to provide a uniform product. The freezer is designed to operate with almost any type of shake or frozen beverage mix. This manual is designed to assist qualified service personnel and operators in the installation, operation and maintenance of the Stoelting E112 gravity freezer.



Figure 1-1 Model E112

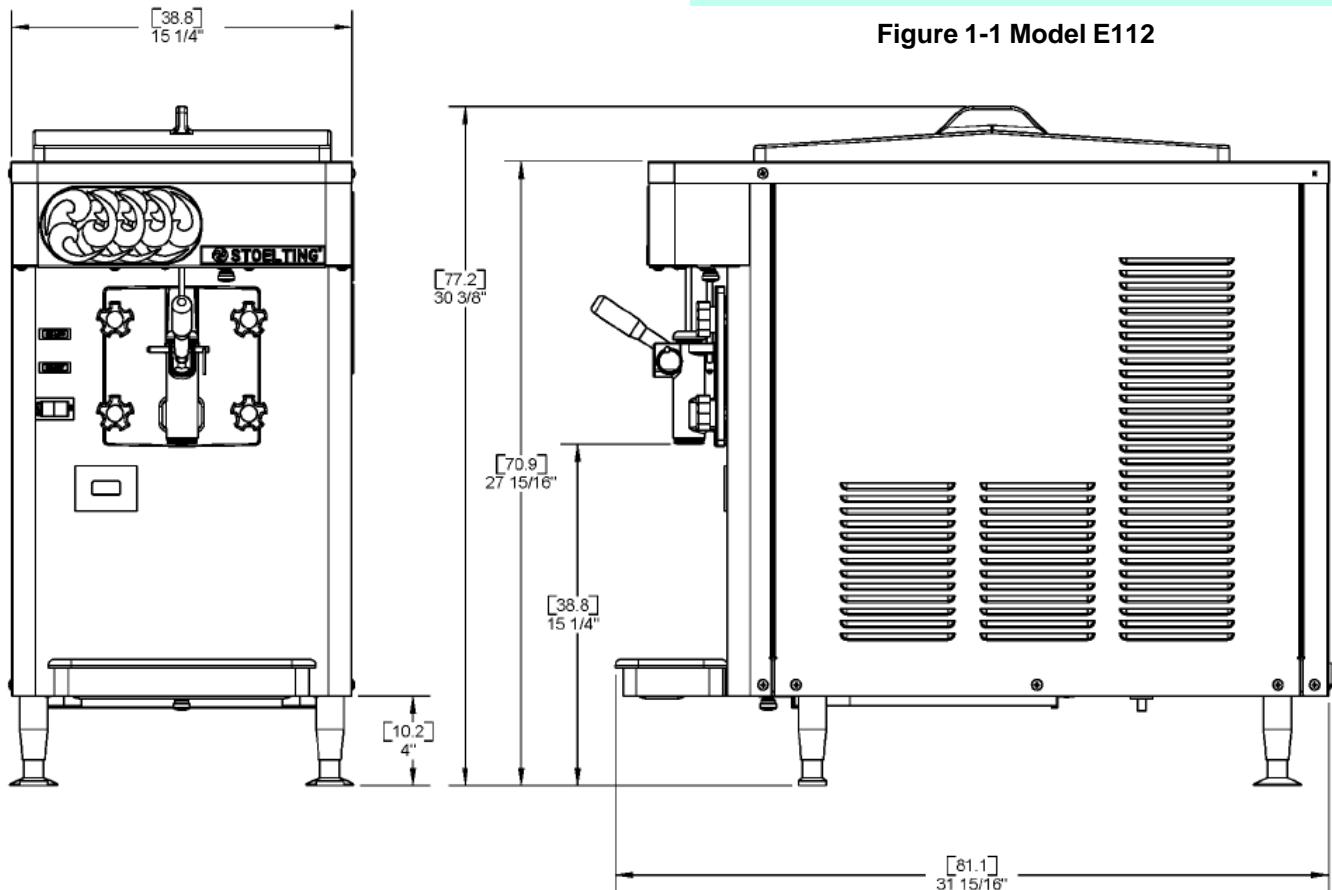


Figure 1-2 Freezer Specifications

MODEL E112
COUNTERMODEL
GRAVITY FREEZER

DIMENSIONS:

Freezer: 15-1/4" (33.8 cm) wide x 31-15/16" (81.1 cm) deep x 30-3/8" (77.2 cm) high

Crated: 17-1/2" (44.4 cm) wide x 36-1/2" (92.7 cm) deep x 35" (88.9 cm) high

WEIGHT:

Freezer: 250 lbs. (140 kg)

Crated: 270 lbs. (125 kg)

ELECTRICAL:

Description	E112-37	E112-307
Voltage AC	1 PH 115V 60Hz	1 PH 220V 50Hz
Total Run Amps	16.00	9.00
Drive Motor	1/2 HP	1/2 HP

Use 20 amp HACR circuit breaker.

Automatic circuit built into electronic control protects major freezer components under abnormal operating conditions.

COOLING:

Air Inlet: Filter located on bottom of machine.

Air Outlet: Requires minimum 3" (7.6 cm) clearance on both sides.

Back air clearance of 4" (10.2 cm) for side-by-side installation.

HOPPER:

3.625 Gallons (13.72 liters) refrigerated and insulated.

FREEZING CYLINDER:

1.2 Gallons (4.54 liters)

SECTION 2 INSTALLATION INSTRUCTIONS

2.1 SAFETY PRECAUTIONS

Do not attempt to operate the freezer until the safety precautions and operating instructions in this manual are read completely and are thoroughly understood.

Take notice of all warning labels on the freezer. The labels have been put there to help maintain a safe working environment. The labels have been designed to withstand washing and cleaning. All labels must remain legible for the life of the freezer. Labels should be checked periodically to be sure they can be recognized as warning labels.

If danger, warning or caution labels are needed, indicate the part number, type of label, location of label, and quantity required along with your address and mail to:

STOELTING, INC.
ATTENTION: Customer Service
502 Hwy. 67
Kiel, Wisconsin 53042

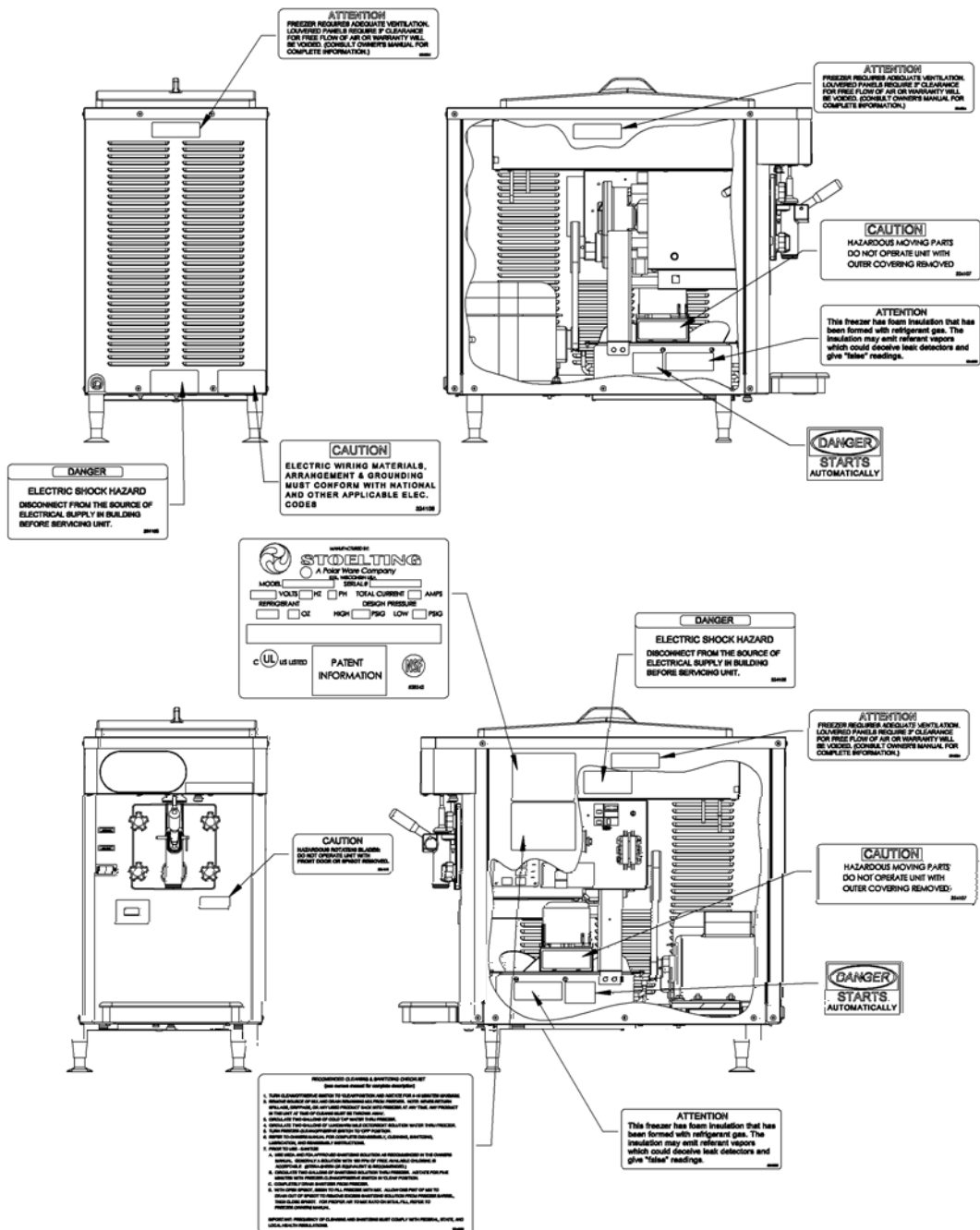


Figure 2-1 Warning Label Locations

2.2 SHIPMENT AND TRANSIT

The freezer has been assembled, operated and inspected at the factory. Upon arrival at the final destination, the entire freezer must be checked for any damage which may have occurred during transit.

With the method of packaging used, the freezer should arrive in excellent condition. **THE CARRIER IS RESPONSIBLE FOR ALL DAMAGE IN TRANSIT, WHETHER VISIBLE OR CONCEALED.** Do not pay the freight bill until the freezer has been checked for damage. Have the carrier note any visible damage on the freight bill. If concealed damage and/or shortage is found later, advise the carrier within 10 days and request inspection. The customer must place claim for damages and/or shortages in shipment with the carrier. Stoelting, Inc. cannot make any claims against the carrier.

2.3 FREEZER INSTALLATION

Installation of the freezer involves moving the freezer close to its permanent location, removing all crating, setting in place, assembling parts, and cleaning.

- A. Uncrate the freezer.
- B. Lift freezer and screw on legs.
- B. Accurate leveling is necessary for correct drainage of freezer barrel and to insure correct overrun. Place a bubble level on top of the freezer at each corner to check for level condition. If adjustment is necessary, level the freezer by turning the bottom part of each leg in or out.
- C. The freezer is equipped with an air cooled condenser and requires correct ventilation. The bottom of the freezer is the air intake and the sides are discharge. Both sides must have 3" clearance.

CAUTION
Failure to provide adequate ventilation will void warranty.

- D. Make sure the switch is in the OFF (middle) position.
- E. Install drip tray support, drip tray, drip tray grid, and drain tray.
- F. Connect the power cord to the proper power supply. The plug is designed for 115 volt/20 amp duty. Check the nameplate on your freezer for proper supply. The unit must be connected to a properly grounded receptacle. The electrical cord furnished as part of the freezer has a three prong grounding type plug. The use of an extension cord is not recommended, if necessary use one with a size 12 gauge or heavier with ground wire. Do not use an adapter to bypass grounding requirement. (Refer to Figure 2-2)

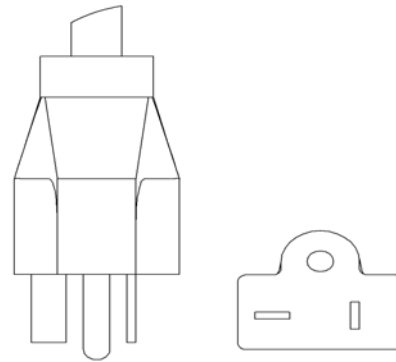


Figure 2-2 Electrical Plug



WARNING

Do not alter or deform electrical plug in any way. Altering the plug to fit into an outlet of different configuration may cause fire, risk of electrical shock, product damage and will void warranty.

SECTION 3 INITIAL SETUP AND OPERATION

3.1 OPERATOR'S SAFETY PRECAUTIONS

SAFE OPERATION IS NO ACCIDENT; observe these rules:

- A. Know the freezer. Read and understand the Operating Instructions.
- B. Notice all warning labels on the freezer.
- C. Wear proper clothing. Avoid loose fitting garments, and remove watches, rings or jewelry which could cause a serious accident.
- D. Maintain a clean work area. Avoid accidents by cleaning up the area and keeping it clean.
- E. Stay alert at all times. Know which switch, push button or control you are about to use and what effect it is going to have.
- F. Disconnect electrical cord for maintenance. Never attempt to repair or perform maintenance on the freezer until the main electrical power has been disconnected.
- G. Do not operate under unsafe operating conditions. Never operate the freezer if unusual or excessive noise or vibration occurs.

3.2 OPERATING CONTROLS AND INDICATORS

Before operating the freezer, it is required that the operator know the function of each operating control. Refer to Figure 3-1 for the location of the operating controls on the freezer.



WARNING

High voltage will shock, burn or cause death. The CLEAN-OFF-ON switch must be placed in the OFF (middle) position prior to disassembling for cleaning or servicing. Do not operate machine with cabinet panels removed.

- A. Spigot Switch
The spigot switch will automatically start the auger drive and refrigeration systems when the spigot is opened to dispense product. When the spigot is closed, the drive motor and compressor will remain on until the product in the freezing cylinder reaches the proper consistency.

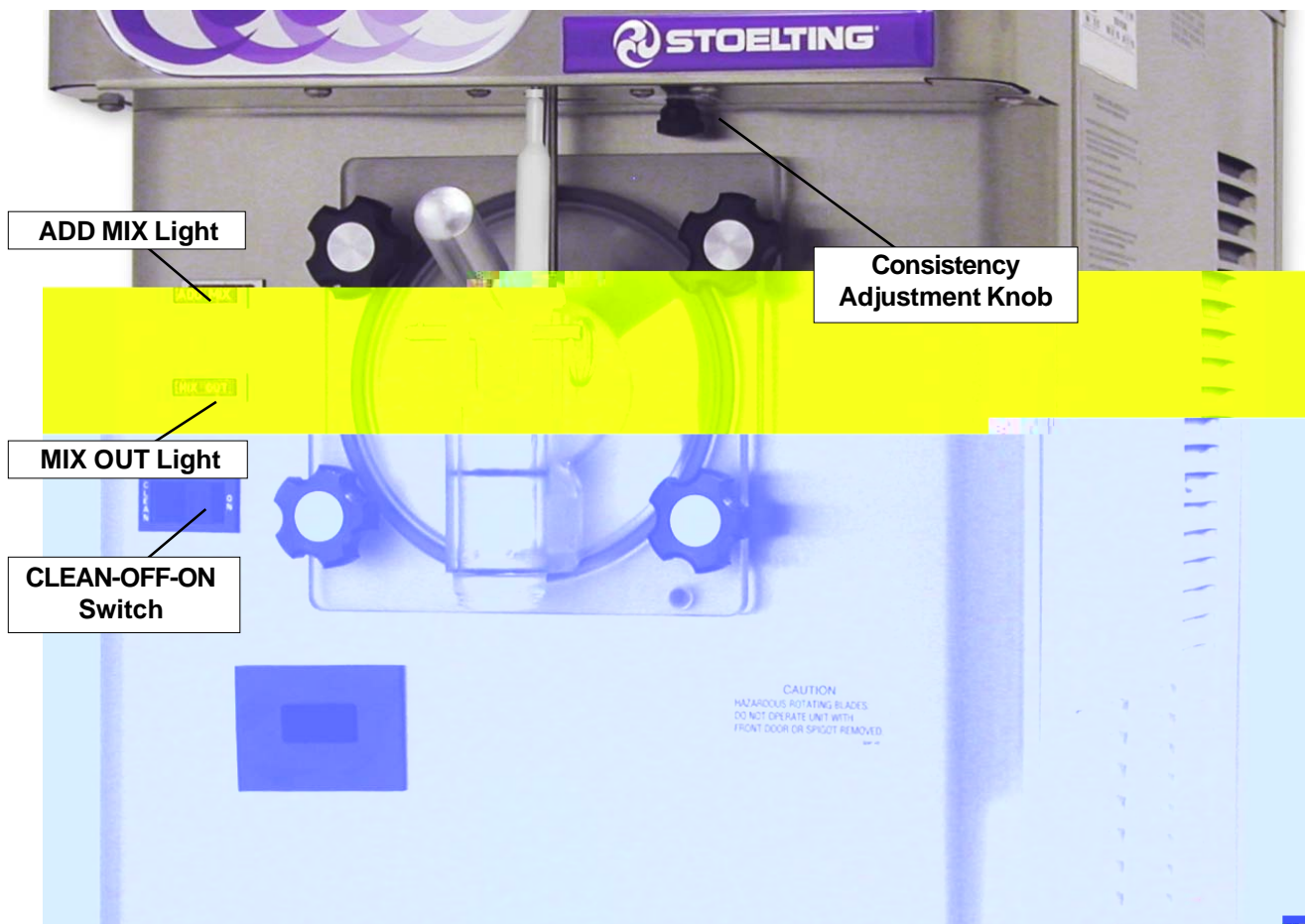


Figure 3-1 Freezer Controls

B. CLEAN-OFF-ON Switch

The CLEAN-OFF-ON switch is used to supply power to the control circuit. When the switch is in the OFF (middle) position, power will not be supplied to the control board or refrigeration system. When the switch is in the ON position, the freezer will operate in the freezing mode. When the switch is in the CLEAN position, all refrigeration will stop and the auger will start rotating.

C. ADD MIX and MIX OUT Lights

The ADD MIX light will illuminate and the MIX OUT light will flash to alert the operator to a low mix condition. It does so by monitoring the mix level in the hopper. When the ADD MIX light is lit and the MIX OUT light is flashing, refill hopper immediately. If both the ADD MIX light and the MIX OUT light are flashing, either the refrigeration system has been running for 30 minutes continuously or the control does not sense the drive motor. The refrigeration will run on timers until service can be performed.

NOTE

Failure to refill hopper immediately may result in operational problems.

D. Consistency Adjustment Knob

The Consistency Adjustment Knob increases or decreases product consistency by changing the amount of torque needed to complete a refrigeration cycle. Turn the knob clockwise to increase consistency.

E. Front Door Safety Switch

The front door safety switch prevents the auger from turning when the front door is removed. The switch is open when the door is not in place and closed when the door is properly installed.

F. Autofill Kit (Part 2183807 - Optional)

The autofill kit is used with a pump to keep the hopper filled. The autofill kit is for use with non-potentially hazardous food substances; non-dairy. Stoelting offers many pumps that work with the autofill kit, such as the flow jet pump, part 4177349.

G. Light Kit (Part 2183800 - Optional)

The light kit is installed behind the header panel and illuminates a translucent header panel

3.3 SANITIZING

Sanitizing must be done after the freezer is cleaned and just before the hopper is filled with mix. Sanitizing the night before is not effective. However, you should always clean the freezer and parts after each use.

The United States Department of Agriculture and the Food and Drug Administration require that all cleaning and sanitizing solutions used with food processing equipment be certified for this use.

When sanitizing the freezer, refer to local sanitary regulations for applicable codes and recommended sanitizing products and procedures. The frequency of sanitizing must comply with local health regulations.

Mix sanitizer according to manufacturer's instructions to provide a 100 parts per million strength solution. Mix sanitizer in quantities of no less than 2 gallons (7.5 liters) of 90° to 110°F (32° to 43°C) water. Allow sanitizer to contact the surfaces to be sanitized for 5 minutes. Any sanitizer must be used only in accordance with the manufacturer's instructions.

CAUTION
Do not allow sanitizer to remain in contact with stainless steel freezer parts for prolonged periods. Prolonged contact of sanitizer with freezer may cause corrosion of stainless steel parts.

In general, sanitizing may be conducted as follows:

- A. Prepare Stera-Sheen Green Label Sanitizer or equivalent according to manufacturer's instructions to provide a 100ppm strength solution. Mix the sanitizer in quantities of no less than 2 gallons of 90° to 110°F (32° to 43°C) water. Any sanitizer must be used only in accordance with the manufacturer's instructions.
- B. If using a shake mix, place the mix inlet regulator into hopper. If using a slush mix, the mix inlet regulator is not required.
- C. Place the switch in the CLEAN position. Check for leaks.
- D. Clean sides of hopper, mix inlet regulator and underside of hopper cover using a soft bristle brush dipped in the sanitizing solution (Refer to Figure 3-2).



Figure 3-3 Sanitizing Hopper

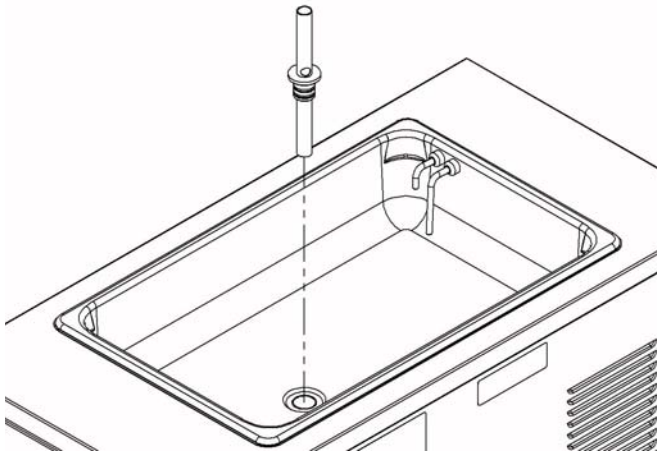


Figure 3-2 Mix Inlet Regulator

- E. After five minutes, place a bucket under the spigot and open spigot to drain sanitizing solution. Place the switch in the OFF (middle) position. Loosen freezer door and allow the freezing cylinder to drain completely. Re-tighten door.
- F. If using a shake mix, install the mix inlet regulator into hopper (Refer to Figure 3-3). If using a slush mix, the mix inlet regulator is not required.

3.4 FREEZE DOWN AND OPERATION

This section covers the recommended operating procedures for the safe operation of the freezer.

- A. Sanitize just prior to use.
- B. Place the switch in the OFF (middle) position.

NOTE

Make sure the mix inlet regulator is in place before adding shake mixes. This is not necessary for slush mixes.

- C. Pour approximately 1/2 gallon of fully thawed mix into the hopper. Open spigot and drain a small amount of mix to remove any remaining sanitizer.
- D. Fill hopper with pre-chilled (40°F or 4°C) mix.

NOTE

Do not overfill the hopper. Mix level must not be higher than the air inlet tube on the mix inlet regulator.

- E. Place the switch in the ON position.

NOTE

After the drive motor starts, there is a 3 second delay before the compressor starts.

- F. After 8 to 12 minutes the product will be at consistency and will be ready to serve. Freeze down time may vary depending on mix type and ambient temperatures.
- G. For normal dispensing, pull the spigot handle down to open the spigot.

- H. The freezer is designed to dispense the product at a reasonable draw rate. If the freezer is overdrawn, the result is a soft product or a product that will not dispense at all. If this should occur, allow the freezer to run for approximately 30 seconds before dispensing additional product.
- I. Do not operate the freezer when the ADD MIX light and MIX OUT lights are on. Refill the hopper immediately.

3.5 MIX INFORMATION

Mix can vary considerably from one manufacturer to another. Differences in the amount of butterfat content and quantity and quality of other ingredients have a direct bearing on the finished frozen product. A change in freezer performance that cannot be explained by a technical problem may be related to the mix.

Proper product serving temperature varies from one manufacturer's mix to another. Shake and stackable slush mixes provide satisfactory product from 24° to 28°F (-4° to -2°C).

When checking the temperature, stir the thermometer in the frozen product to obtain an accurate reading.

Old mix or mix that has been stored at elevated temperatures will produce poor-quality product with a bad taste and unacceptable appearance. To retard bacteria growth in dairy based mixes, the best storage temperature range is between 36° to 40°F (2.2° to 4.4°C).

Some shake mixes tend to foam more than others. If foam appears in the hopper, skim off with a sanitized utensil and discard. Periodically, stir the mix in the hopper with a sanitized utensil to help prevent excess foam.

3.6 REMOVING MIX FROM FREEZER

To remove the mix from the freezer, refer to the following steps:

- A. If removing shake mix, pull the mix inlet regulator straight up and remove it from the hopper.
- B. Place the switch in the CLEAN position to rotate the auger. Allow the mix to agitate in freezing cylinder until the mix has become liquid, about 5 minutes.
- C. Drain the liquid mix by opening the spigot. A container should be placed under the spigot to collect the liquid mix.
- D. Place the switch in the OFF (middle) position.

3.7 CLEANING THE FREEZER

NOTE

The frequency of cleaning the freezer and freezer parts must comply with local health regulations.

After the mix has been removed from the freezer, the freezer must be cleaned. To clean the freezer, refer to the following steps:

- A. Close the spigot and fill the hopper with 2 gallons (8 liters) of tap water.
- B. Place the switch in the CLEAN position. The auger will start to rotate.
- C. Allow the water to agitate for approximately 30 seconds.
- D. Open the spigot to drain the water. Remember to place a container under the spigot to catch the water. When the water has drained, place the switch in the OFF (middle) position. Allow the freezing cylinder to drain completely.
- E. Prepare detergent water by mixing 2 oz. of Palmolive detergent or equivalent in 2 gallons of 90° to 110°F (32° to 43°C) water. Repeat steps A through D using the detergent solution.

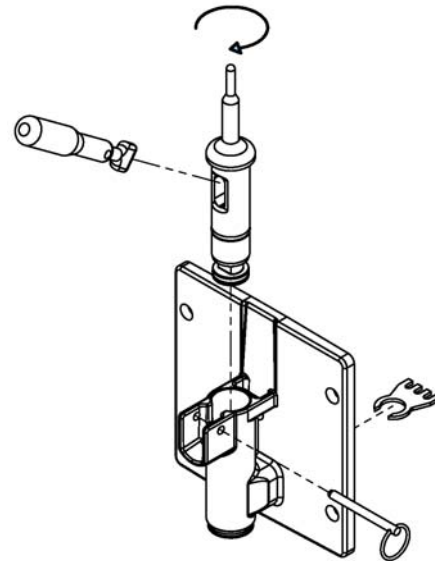


Figure 3-5 Spigot and Ice Breaker Bar Removal

3.8 DISASSEMBLY OF FREEZER PARTS


Inspection for worn or broken parts should be made each time the freezer is disassembled. All worn or broken parts should be replaced to ensure safety to both the operator and the customer and to maintain good freezer performance and a quality product. Frequency of cleaning must comply with the local health regulations.

To disassemble the freezer, refer to the following steps:

- A. Remove hopper cover. Pull the mix inlet regulator straight up to remove it from the hopper.
- B. Pull out the spigot pin by its ring.
- C. Remove the spigot handle.
- D. Remove front door by turning the circular knobs and then pulling door off the studs.

NOTE

When removing front door, entire door and stator assembly will come out as well.

 CAUTION
<p>Hazardous Moving Parts Revolving auger shaft can grab and cause injury. Place the switch in the OFF (middle) position before disassembling for cleaning or servicing.</p>

- E. Remove torque rod from stator assembly (Refer to Figure 3-4).
- F. Remove quad ring from groove in front door.
- G. Remove stator bar. Remove o-ring and white bushing from stator bar.
- H. Remove auger support bushing.
- I. Turn spigot body until the ice breaker bar can be removed. Remove breaker bar (Refer to Figure 3-5).
- J. Remove spigot body from the front door.
- K. Remove o-rings (2) from the spigot by first wiping off the lubricant using a clean paper towel. Then squeeze the o-ring upward with a dry cloth. When a loop is formed, roll the o-ring out of the groove (Refer to Figure 3-6).

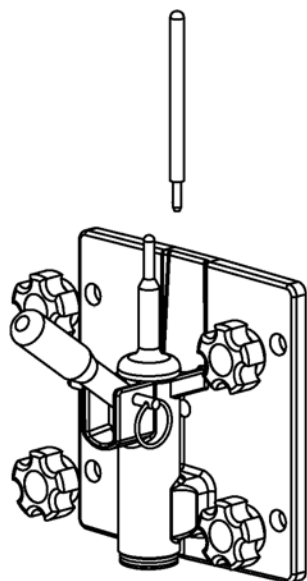


Figure 3-4 Torque Rod

CAUTION
Do not use any type of sharp object to remove the o-rings.



Figure 3-6 Removing O-Ring

- L. Remove auger assembly from the freezing cylinder and remove auger blades.
- M. Remove rear seal and o-ring from auger.
- N. Remove drain tray, drip tray and drip tray grid.

3.9 CLEANING THE FREEZER PARTS

Place all loose parts in a pan or container and take to the wash sink for cleaning. To clean freezer parts, refer to the following steps:

- A. Prepare detergent water by mixing 2 oz. of Palmolive detergent or equivalent in 2 gallons of 90° to 110°F (32° to 43°C) water. Place all parts in detergent solution and clean with provided brushes. Rinse all parts with clean 90° to 110°F (32° to 43°C) water.
- B. Wash the hopper and freezing cylinder with the 90° to 110°F (32° to 43°C) detergent water and brushes provided (Refer to Figure 3-7).



Figure 3-7 Cleaning Freezer Cylinder

- C. Clean the rear seal surfaces from the inside of the freezing cylinder with the 90° to 110°F (32° to 43°C) detergent water.

3.10 SANITIZE FREEZER AND FREEZER PARTS

- A. Use Stera-Sheen or equivalent sanitizing solution mixed according to manufacturer's instructions to provide 100 parts per million strength solution. Mix sanitizer in quantities of no less than 2 gallons (7.5 liters) of 90° to 110°F (32° to 43°C) water. Any sanitizer must be used only in accordance with the manufacturer's instructions.
- B. With the large brush provided, sanitize the rear of the freezing cylinder by dipping the brush in the sanitizing solution and brushing the rear of the cylinder.

3.11 ASSEMBLY OF FREEZER

To assemble the freezer parts, refer to the following steps:

NOTE

Petrol Gel sanitary lubricant or equivalent must be used when lubrication of parts is specified.

NOTE

The United States Department of Agriculture and the Food and Drug Administration require that lubricants used on food processing equipment be certified for this use. Use lubricants only in accordance with the manufacturer's instructions.

- A. Assemble all o-rings onto parts dry, without lubrication. Then apply a thin film of sanitary lubrication to exposed surfaces of the o-rings. Also apply a thin film of sanitary lubricant inside and outside of front auger support bushing, and to the inside and outside of stator support bushing.
- B. Assemble the rear seal onto the auger with the large end to the rear. Be sure the o-ring is in place before installing the rear seal (Refer to Figure 3-8).

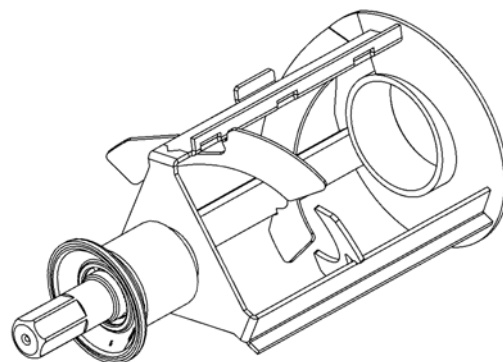


Figure 3-8 Auger Rear Seal

- C. Put a small amount of white Hex Drive Anti Seize (spline lube) on the hex end of the auger shaft. A small container of Anti Seize is shipped with the freezer.

CAUTION

Do not place the mix inlet regulator into the hopper before installing the auger. Attempting to install the auger with the mix inlet regulator in place will damage the mix inlet regulator.

- D. Install the two plastic auger blades onto auger. Blades may be attached in any orientation.
- E. Push auger into freezing cylinder and rotate slowly until auger engages the drive shaft (Refer to Figure 3-9)
- F. Insert spigot body into front door.

NOTE

When inserting spigot body, press o-rings in to prevent damage.

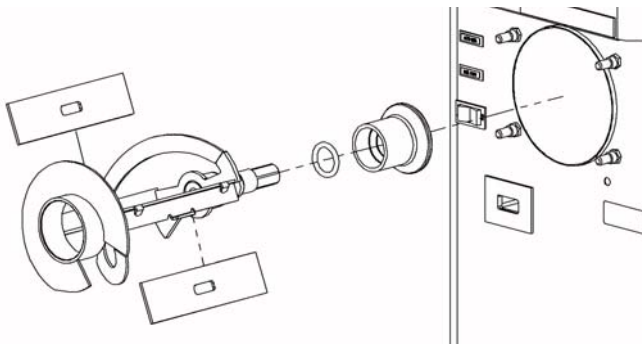


Figure 3-9 Auger Assembly

- G. Turn spigot body until the ice breaker bar can be inserted. Insert breaker bar and rotate spigot body 90°.
- H. Install auger support bushing onto front door so beveled edge of bushing is against door (Refer to Figure 3-10).
- I. Install the white stator support bushing onto the rear of the stator bar and insert stator into spigot.
- J. Insert torque rod. The rod should be placed through the hole in stator bar.
- K. Install the front door onto the freezer.

NOTE

When installing door onto freezer, torque rod must be placed in the center of metal torque actuator arm

- L. Install the knobs on the freezer studs.
- M. Look for the proper seal between the freezing cylinder, quad ring, and front door
- N. Insert spigot handle so hole lines up and insert spigot pin.
- O. Install the mix inlet regulator into the hopper if using shake mix. If using slush mix, the mix inlet

CAUTION

Overtightening or uneven tensioning of circular knobs may cause damage to front door and cause leaking. Hand tighten knobs evenly.

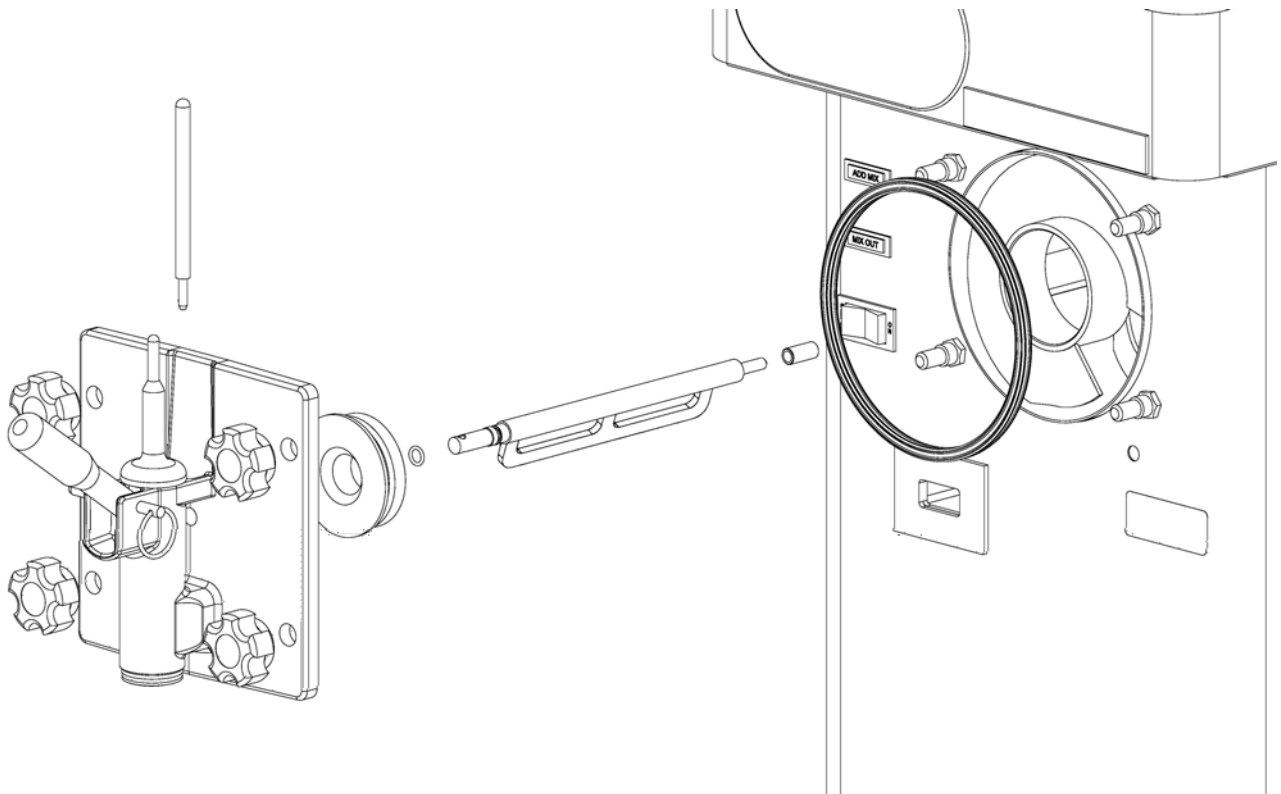


Figure 3-10 Door and Stator Assembly

regulator is not required.

- P. Install hopper cover, drain tray, drip tray, and drip tray grid.

3.12 ROUTINE CLEANING

To remove spilled or dried mix from the freezer exterior, wash in the direction of the finish with warm soapy water and wipe dry. Do not use highly abrasive materials as they will mar the finish.

3.13 PREVENTIVE MAINTENANCE

Stoelting recommends that a maintenance schedule be followed to keep the freezer clean and operating properly.

Cleaning and Sanitizing Information

Special consideration is required when it comes to food safety and proper cleaning and sanitizing.

The following information has been compiled by Purdy Products Company, makers of Stera-Sheen Green Label Cleaner/Sanitizer and specifically covers issues for cleaning and sanitizing frozen dessert machines. This information is meant to supplement a comprehensive food safety program.

Soil Materials Associated with Frozen Dessert Machines

MILKFAT/BUTTERFAT – As components of ice-cream/frozen custard mix, these soils will accumulate on the interior surfaces of the machine and its parts. Fats are difficult to remove and help attribute to milkstone build-up.

MILKSTONE – Is a white/gray film that forms on equipment and utensils that come in contact with dairy products. These films will accumulate slowly on surfaces because of ineffective cleaning, use of hard water, or both. Milkstone is usually a porous deposit, which will harbor microbial contaminants and eventually defy sanitizing efforts.

Once milkstone has formed, it is very difficult to remove. Without using the correct product and procedure, it is nearly impossible to remove a thick layer of milkstone. (NOTE: general-purpose cleaners DO NOT remove milkstone.) This can lead to high bacteria counts and a food safety dilemma.

IT IS BEST TO CONTROL MILKSTONE ON A DAILY BASIS BEFORE IT CAN BECOME A SIGNIFICANT FOOD SAFETY PROBLEM.

In addition to food safety, milkstone can cause premature wear to machine parts which can add to costs for replacement parts or possibly more expensive repairs if worn machine parts are not replaced once they have become excessively worn.

Important Differences Between Cleaning and Sanitizing

CLEANING vs. SANITIZING

It is important to distinguish between cleaning and sanitizing. Although these terms may sound synonymous, they are not. BOTH are required for adequate food safety and proper machine maintenance.

CLEANING

- Is the removal of soil materials from a surface.
- Is a prerequisite for effective sanitizing.

NOTE

An UNCLEAN surface will harbor bacteria that can defy sanitizing efforts.

Bacteria can develop and resist sanitizing efforts within a layer of soil material (milkstone). Thorough cleaning procedures that involve milkstone removal are critical for operators of frozen dessert machines.

SANITIZING

- Kills bacteria.
- Can be effective on clean surfaces only.

NOTE

Using a SANITIZER on an unclean surface will not guarantee a clean and safe frozen dessert machine.

Proper Daily Maintenance: The Only Way to Assure Food Safety and Product Quality

Proper daily maintenance can involve a wide variety of products and procedures. Overall, the products and procedures fall into three separate categories. (Please note that this is a brief overview intended for informational purposes only.)

1. **CLEANING** – This involves draining mix from the freezing cylinder and rinsing the machine with water. Next, a cleaner is run through the machine. Then, the machine is disassembled and removable parts are taken to the sink for cleaning.
2. **MILKSTONE REMOVAL** – Since almost all cleaners do not have the ability to remove milkstone, the use of a delimer becomes necessary. Although this procedure may not be needed on a daily basis, it will usually follow the cleaning procedure. It requires letting a delimer solution soak in the machine for an extended period of time. Individual parts are also soaked in a deliming solution for an extended period of time (more about delimers in Additional Information).
3. **SANITIZING** – After the machine has been cleaned and contains no milkstone, the machine is reassembled. Then a FDA-approved sanitizing solution is run through the machine to kill bacteria. The machine is then ready for food preparation.

As a recommended cleaner and sanitizer for your frozen dessert machine, STERA-SHEEN has proven to be one of the best daily maintenance products for:

- **CLEANING** – Thorough removal of all solids including butterfat and milk fat.

- **MILKSTONE REMOVAL** – Complete removal of milkstone.
- **SANITIZING** – FDA-approved no rinse sanitizer for food contact surfaces.

Additional Information

THE USE OF DELIMERS

A delimer is a strong acid that has the ability to dissolve milkstone. This type of chemical may become necessary once high levels of milkstone have developed. While these products are very effective for removing HIGH levels of milkstone, they are not ideal for two reasons:

1. **PRODUCT SAFETY** – Strong acids are dangerous chemicals and handling them requires safety
2. **MACHINE DAMAGE** – Strong acids will attack metal and rubber causing premature wear of parts. The use of a delimer needs to be closely monitored to avoid damage to machine surfaces and parts.

With proper daily use of STERA-SHEEN or its equivalent, there is no need for the use of a DELIMER.

DO NOT USE BLEACH

- **BLEACH HAS ABSOLUTELY NO CLEANING PROPERTIES.**
- **BLEACH IS CORROSIVE.** It can and will damage components of the machine causing premature wear and metal corrosion.

CAUTION
Do not use acidic cleansers, strong caustic compounds or abrasive materials to clean any part of the freezer exterior or plastic parts. Use of these types of cleaners will cause equipment damage.

GENERAL PURPOSE CLEANERS

General purpose cleaners do not have the ability to remove milkstone. Milkstone will become a problem if not remedied with additional products and procedures.

THE USE OF CHLORINE TEST STRIPS

“Test strips” are used to determine concentrations of active chlorine in sanitizing solutions. To use the strips, tear off a small portion and submerge it into the sanitizing solution. Then, compare the color change to the color key on the side of the test strip dispenser to determine the approximate chlorine concentration.

The ideal concentration of chlorine needs to be 100 ppm (as stated by the FDA).

NOTE

Follow the directions on the container for proper concentration.

There are two main factors that contribute to falling chlorine concentrations in a sanitizing solution.

1. **PRODUCT USE** – As the chlorine in the solution is being used, chlorine concentrations fall.
2. **TIME** – As time passes, small amounts of chlorine “evaporate” from the solution. (That is why you can smell it.)

Sanitizing solutions should not be allowed to fall below 100 ppm chlorine. New solutions should be mixed once old solutions become ineffective


B. DAILY

1. The exterior should be kept clean at all times to preserve the luster of the stainless steel. A mild alkaline cleaner is recommended. Use a soft cloth or sponge to apply the cleaner.

C. WEEKLY

1. Check o-rings and rear seal for excessive wear and replace if necessary.
2. Remove the drip tray by gently lifting up to disengage from the support and pulling out. Clean behind the drip tray and front of the freezer with a soap solution.

D. QUARTERLY

 WARNING
High voltage will shock, burn or cause death. The CLEAN-OFF-ON switch must be placed in the OFF (middle) position prior to disassembling for cleaning or servicing. Do not operate machine with cabinet panels removed.

The air-cooled condenser is a copper tube and aluminum fin type. Condensing is totally dependent upon airflow. A plugged condenser filter, condenser, or restrictions in the louvered panel will restrict airflow. This will lower the capacity of the system and damage the compressor.

The condenser must be kept clean of dirt and grease. The freezer must have a minimum of 3” (7.5 cm) of ventilation on the right and left sides of the unit for free flow of air. Make sure the freezer is not pulling over 100° F (37° C) air from other equipment in the area.

The water-cooled condenser is a tube and shell type. The condenser needs a cool, clean supply of water to properly cool the freezer, inlet and discharge lines must be 3/8” I.D. minimum.

The condenser and condenser filter require periodic cleaning. To clean, refer to the following procedures.

1. Remove the Phillips head screw from the bottom of the right side panel, and then slide the panels down and out.

2. To remove the condenser filter, remove the thumb screws from under the front panel. Pull down bracket and remove filter. Visually inspect for dirt. If the filter is dirty, shake or brush excess dirt off the filter and wash in warm, soapy water. Once the filter is clean rinse thoroughly in warm, clear water and shake dry, taking care not to damage the filter in any way.
3. Visually inspect the condenser for dirt by shining a light through the coil from the back (inside) of the condenser.
4. If the condenser is dirty, place a wet towel over the front (outside) of the condenser.
5. Using a vacuum, carefully clean the condenser coil from the inside and outside of the freezer. A stiff bristled brush may help in releasing debris from between the condenser coils.

E. SEMI-ANNUALLY

1. Check drive belt for proper tension. Push belt in with one finger, belt should deflect about 3/8".
2. Lubricate condenser fan motor with S.A.E. 20 weight oil. Three to six drops are required.

CAUTION
Do not over-lubricate; resulting damage could cause motor failure.

3.14 EXTENDED STORAGE

Refer to the following steps for storage of the freezer over any long period of shutdown time:

- A. Place the CLEAN-OFF-ON switch in the OFF (middle) position.
- B. Disconnect (unplug) from the electrical supply source.
- C. Clean thoroughly with a warm water detergent all parts that come in contact with the mix. Rinse in clean water and dry parts. Do not sanitize.

NOTE

Do not let the cleaning solution stand in the hopper or in the freezing cylinder during the shutdown period.

- D. Remove, disassemble and clean the front door, mix inlet regulator and auger parts. Place the auger flights and the front auger support bushing in a plastic bag with a moist paper towel to prevent them from becoming brittle.
- E. In a water cooled freezer, disconnect water lines and drain water. With a flathead screwdriver, hold the water valve open and use compressed air to clear the lines of any remaining water.

SECTION 4 TROUBLESHOOTING

4.1 MIX LIGHT INDICATORS

The following chart shows all possible mix light indicator combinations along with the cause and operation of the freezer.

ADD MIX	OFF	ON	Simultaneous FLASHING	Alternate FLASHING
MIX OUT	OFF	FLASHING		
Conditions	Normal operation mode	Mix below deep sensor	Refrigeration has been running for 30+ minutes	Drive Motor Failure
Operation	Normal	Timers	Timers	Timers
Corrective Action	N/A	Add mix	Contact Service Technician	Contact Service Technician

Sensors

ADD MIX and MIX OUT lights will turn off as soon as mix touches deep sensor. Shallow sensor is only for autofill sensor.

4.2 TROUBLESHOOTING

PROBLEM	POSSIBLE CAUSE	REMEDY
Freezer does not run.	<ol style="list-style-type: none"> 1. Power to freezer is off. 2. Blown fuse or tripped circuit. 3. Freeze-up (auger will not turn). 4. High pressure cut-out tripped. 5. Front door not in place. 	<ol style="list-style-type: none"> 1. Supply power to freezer. 2. Replace or reset. 3. Turn CLEAN-OFF-ON switch to OFF (middle) position for 15 minutes, then restart. 4. Wait until automatic reset for freezer to start. 5. Assemble front door in place.
Freezer will not shut off.	<ol style="list-style-type: none"> 1. Not enough mix in hopper. 2. Drive belt failure. 3. Consistency temperature setting is too firm. 4. Refrigeration problem. 	<ol style="list-style-type: none"> 1. Fill hopper with mix. 2. Replace drive belt. 3. Turn Consistency Adjustment knob counter-clockwise. 4. Check system. (Call distributor for service)
Product is too firm.	<ol style="list-style-type: none"> 1. No mix in hopper. 2. Consistency temperature setting is too firm. 	<ol style="list-style-type: none"> 1. Fill hopper with mix. 2. Turn Consistency Adjustment knob counter-clockwise.

4.2 TROUBLESHOOTING - CONTINUED

PROBLEM	POSSIBLE CAUSE	REMEDY
Product is too soft.	<ol style="list-style-type: none"> 1. No vent space for free flow of cooling air. 2. Air temperature entering condenser is above 100°F. 3. Condenser is dirty. 4. Consistency setting too soft. 5. Stabilizers in mix are broken down. 6. Auger is assembled incorrectly. 7. Refrigeration problem. 	<ol style="list-style-type: none"> 1. A minimum of 3 inches of vent space required. (See Section 2) 2. Change location or direct hot air away from freezer. 3. Clean. (See Section 3) 4. Turn Consistency Adjustment knob clockwise. 5. Remove mix, clean, sanitize and freeze down with fresh mix. 6. Remove mix, clean, reassemble, sanitize and freeze down. 7. Check system. (Call distributor for service)
Product does not dispense.	<ol style="list-style-type: none"> 1. No mix in hopper. 2. Mix inlet regulator tube is plugged. 3. Capacity of freezer is being exceeded. 4. Drive motor overload tripped. 5. Drive belt failure. 6. Freeze-up (Auger will not turn). 	<ol style="list-style-type: none"> 1. Fill hopper with mix. 2. Unplug, using small sanitized brush. 3. Slow up on the draw rate. 4. Reset. (If condition continues, call distributor for service.) 5. Replace drive belt. 6. Turn CLEAN-OFF-ON switch to OFF (middle) position for 15 minutes, then restart.
Drive belt slipping or squealing.	<ol style="list-style-type: none"> 1. Worn drive belt. 2. Freeze-up (Auger will not turn). 3. Not tensioned properly 	<ol style="list-style-type: none"> 1. Replace drive belt. 2. Turn CLEAN-OFF-ON switch to OFF (middle) position for 15 minutes, then restart. 3. Adjust belt tension
Low overrun.	<ol style="list-style-type: none"> 1. Auger is assembled incorrectly. 2. Mix inlet regulator missing. 3. Mix inlet regulator o-ring missing. 4. Mix inlet regulator air tube blocked. 5. Product breakdown. 	<ol style="list-style-type: none"> 1. Remove mix, clean, sanitize, and freeze down with fresh mix. 2. Replace mix inlet regulator. 3. Replace mix inlet regulator o-ring. 4. Clean with sanitized brush. 5. Fill freezer with fresh product.
Rear auger seal leaks.	<ol style="list-style-type: none"> 1. Outside surface of rear auger seal is lubricated. 2. Rear seal missing or damaged. 3. Seal o-ring missing, damaged or installed incorrectly. 4. Worn or scratched auger shaft. 	<ol style="list-style-type: none"> 1. Clean lubricant from outside of rear seal, lubricate inside of seal and reinstall. 2. Check or replace. 3. Check. or replace. 4. Replace auger shaft.
Front door leaks.	<ol style="list-style-type: none"> 1. Front door knobs are loose. 2. Spigot parts are not lubricated. 3. Chipped or worn spigot o-rings. 4. O-rings or spigot installed wrong. 5. Inner spigot hole in front door nicked or scratched. 	<ol style="list-style-type: none"> 1. Tighten knobs. 2. See Section 3. 3. Replace o-rings. 4. Remove spigot and check o-ring. 5. Replace front door.

SECTION 5 REPLACEMENT PARTS

5.1 HOW TO ORDER PARTS

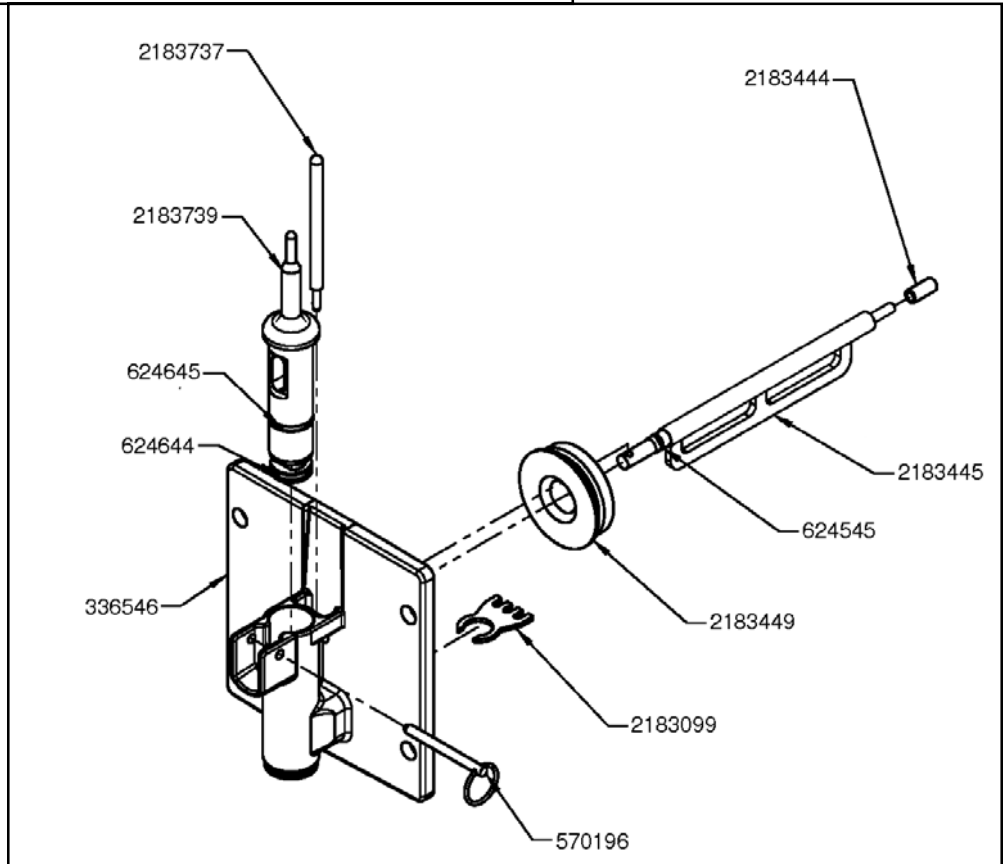
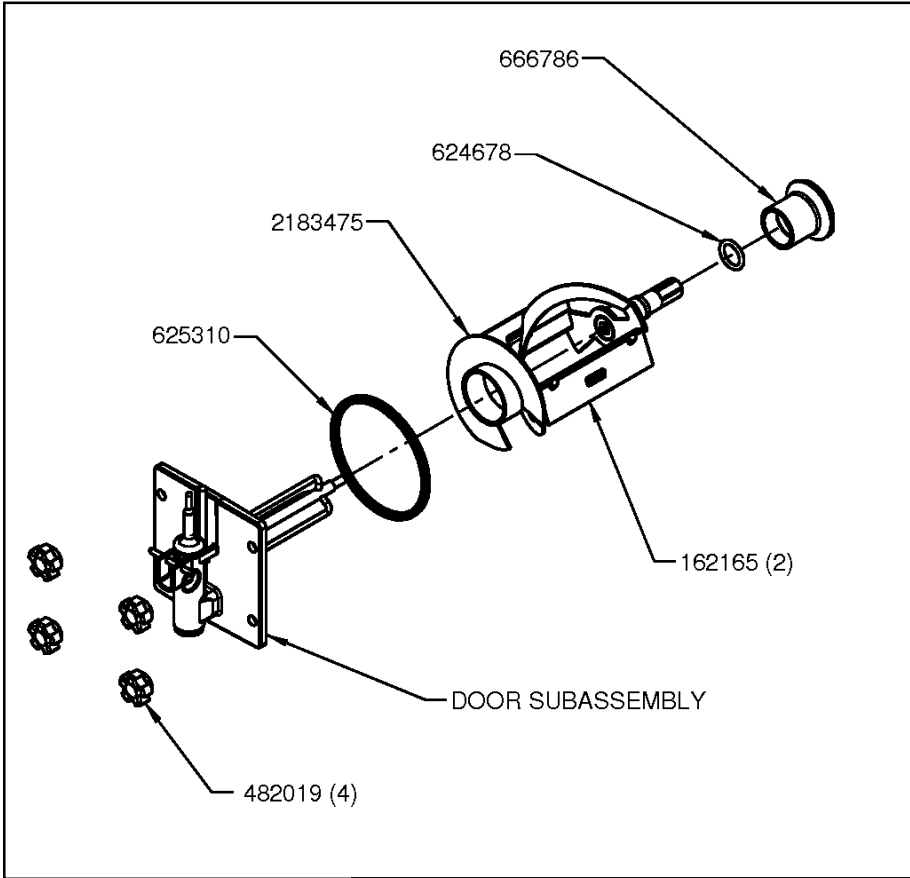
To assure receipt of the proper replacement parts, supply your dealer or distributor with the following information:

- | | | | |
|----|----------------------------|----|--|
| A. | Model number of equipment. | B. | Serial number of model, stamped on nameplate |
| | | C. | Part number, part name and quantity needed. Common part names and numbers are listed in this manual. |

BRUSHES, DECALS, AND LUBRICATION

Part	Description
208135	Brush - 4" X 8" X 16" (Barrel)
208380	Brush - 1/4" X 14" X 3"
208401	Brush - 1" X 3" X 10"
208467	Brush - 3/8" x 1" x 5"
324105	Decal - Caution Electrical Shock Hazard
324106	Decal - Caution Electrical Wiring Materials
324107	Decal - Caution Hazardous Moving Parts
324141	Decal - Caution Rotating Blades
324208	Decal - Attention Refrigerant Leak Check
324509	Decal - Cleaning Instructions
324566	Decal - Wired According To
324584	Decal - Adequate Ventilation 3"
324686	Decal - Danger Automatic Start
324803	Decal - Domed Stoelting Logo (Large) (Header Panel)
324804	Decal - Domed Stoelting Swirl (Header Panel)
324825	Decal - Main Freezer Power
508048	Spline Lubricant - 2 oz Squeeze Tube
508135	Petrol Gel - 4 oz Tube

E112 REPLACEMENT PARTS



E112 REPLACEMENT PARTS

Part	Description	Qty
162165	Scraper Blade	2
336546	Molded Door	1
482019	Black Knob	4
570196	Pin - Door	1
624545	O-Ring - Stator Bar	1
624644	O-Ring - Spigot (Bottom)	1
624645	O-Ring - Spigot (Top)	1
624678	O-Ring - Rear Seal	1
625310	Quad Ring - Front Door	1
666786	Rear Seal	1
2183099	Ice Breaker Bar	1
2183444	Stator Support Bushing	1
2183445	Stator Bar	1
2183449	Auger Support Bushing	1
2183475	Auger	1
2183737	Torque Rod	1
2183739	Spigot	1



WARRANTY SOFT SERVE / SHAKE FREEZERS

1. Scope:

Stoelting, LLC warrants to the first user (the "Buyer") that the freezer cylinders, hoppers, compressors, drive motors, speed reducers, augers and auger flights of Stoelting soft serve / shake freezers will be free from defects in materials and workmanship under normal use and proper maintenance appearing within five (5) years, and that all other components of such equipment manufactured by Stoelting will be free from defects in material and workmanship under normal use and proper maintenance appearing within twelve (12) months after the date that such equipment is originally installed.

2. Disclaimer of Other Warranties:

THIS WARRANTY IS EXCLUSIVE; AND STOELTING HEREBY DISCLAIMS ANY IMPLIED WARRANTY OF MERCHANTABILITY OR FITNESS FOR PARTICULAR PURPOSE.

3. Remedies:

Stoelting's sole obligations, and Buyer's sole remedies, for any breach of this warranty shall be the repair or (at Stoelting's option) replacement of the affected component at Stoelting's plant in Kiel, Wisconsin, or (again, at Stoelting's option) refund of the purchase price of the affected equipment, and, during the first twelve (12) months of the warranty period, deinstallation/reinstallation of the affected component from/into the equipment. Those obligations/remedies are subject to the conditions that Buyer (a) signs and returns to Stoelting, upon installation, the Checklist/Warranty Registration Card for the affected equipment, (b) gives Stoelting prompt written notice of any claimed breach of warranty within the applicable warranty period, and (c) delivers the affected equipment to Stoelting or its designated service location, in its original packaging/crating, also within that period. Buyer shall bear the cost and risk of shipping to and from Stoelting's plant or designated service location.

4. Exclusions and Limitations:

This warranty does not extend to parts, sometimes called "wear parts", which are generally expected to deteriorate and to require replacement as equipment is used, including as examples but not intended to be limited to o-rings, auger seals, auger support bushings and drive belts. All such parts are sold

AS IS.

Further, Stoelting shall not be responsible to provide any remedy under this warranty with respect to any component that fails by reason of negligence, abnormal use, misuse or abuse, use with parts or equipment not manufactured or supplied by Stoelting, or damage in transit.

THE REMEDIES SET FORTH IN THIS WARRANTY SHALL BE THE SOLE LIABILITY STOELTING AND THE EXCLUSIVE REMEDY OF BUYER WITH RESPECT TO EQUIPMENT SUPPLIED BY STOELTING; AND IN NO EVENT SHALL STOELTING BE LIABLE FOR ANY INCIDENTAL OR CONSEQUENTIAL DAMAGES, WHETHER FOR BREACH OF WARRANTY OR OTHER CONTRACT BREACH, NEGLIGENCE OR OTHER TORT, OR ON ANY STRICT LIABILITY THEORY.