



expect different®.

STAR TRAC
14410 Myford Road
Irvine, CA 92606 USA

STAR TRAC FITNESS™

PERSONAL VIEWING SCREEN

USER'S MANUAL— E-SERIES



E-Tri



E-UBi, E-RBi, E-STi, E-TBTi

TABLE OF CONTENTS

Introduction	4
Before You Get Started	5
Warnings and Cautions	6
Important Safety Precautions	7
Unpacking Your Personal Viewing Screen	8
Installing your STAR TRAC Personal Viewing Screen	10
E-UB, E-RB, E-TBT, and E-ST	10
E-TR and ETRx	19
Setting Up your NTSC / ATSC Personal Viewing Screen	25
Basic Operations	25
Adjusting Picture Menu Options	26
Adjusting Audio Menu Options	27
Adjusting Setup Menu Options	29
Adjusting Channel Menu Options	33
Setting Up your PAL / SECAM Personal Viewing Screen	35
Basic Operations	35
Adjusting Picture Menu Options	36
Adjusting Sound Menu Options	37
Adjusting Time Menu Options	38
Adjusting System Options Menu	40
Adjusting Lock Menu Options	41
Adjusting Channel Menu Options	43
FAQ's and Troubleshooting	46
Cleaning the PVS	46
Troubleshooting	46
Headphone Jack Replacement	48
Regulatory Information	49

Copyright 2010. Star Trac by Unisen, Inc. All rights reserved, including those to reproduce this book or parts thereof in any form without first obtaining written permission from Star Trac.

Every effort has been made to keep this information current; however, periodically, changes are made to the information herein, and these changes will be incorporated into new editions of this publication. All product names and logos are trademarks of their respective owners. Printed in the USA.

INTRODUCTION

Thank you for adding the **STAR TRAC PERSONAL VIEWING SCREEN (PVS)** to your Star Trac Purchase. The Personal Viewing Screen has been designed to provide the user with the most rewarding experience based upon the carefully planned features it possesses. The design elements of this Personal Viewing Screen will provide you with a comfortable, intuitive, safe and reliable experience, guiding you to a habit-forming lifestyle. Star Trac's mission is to provide products to mold lifelong habits for health and fitness.

ABOUT THIS MANUAL

This manual is applicable to the **STAR TRAC E-UB UPRIGHT BIKE, E-RB RECUMBENT BIKE, E-ST STEPPER, E-TBT TOTAL BODY TRAINER**, and the **E-TR TREADMILL**. The manual is divided into nine sections, as follows:

Introduction

Provides an overview of each section within the manual.

Before You Get Started

Provides guidelines to help you have a successful installation.

Warnings and Cautions

Helpful safety tips to keep you out of harms way.

Important Safety Precautions

Provides important safety tips to keep you out of harms way.

Unpacking your Personal Viewing Screen

Provides a description of what you will find in your PVS kit.

Installing Your STAR TRAC Personal Viewing Screen (PVS)

Provides a step-by-step instruction set for installing your PVS on the E-UB, E-RB, E-ST, E-TBT and E-TR.

Setting Up Your STAR TRAC Personal Viewing Screen (PVS)

Provides step-by-step instruction set for configuring your PVS with either the NTSC/ATSC or PAL/SECAM screen.

FAQ's and Troubleshooting

Frequently asked questions and troubleshooting methods to help solve problems that may occur with your PVS.

Regulatory Information

Provides regulatory information for the Star Trac Personal Viewing Screen.

BEFORE YOU GET STARTED

CHECK FACILITIES PREPAREDNESS

For a proper installation, please read this guide thoroughly and follow the instructions. Star Trac's goal is to help you have a successful and reliable installation, for this reason we have come up with some helpful tips and check list to accomplish this goal.

EQUIPMENT LAYOUT

Check to see that the equipment you will be adding the PVS to are placed where they will be used. It is recommended that you follow your installation guides for each one of your Star Trac pieces of equipment in making sure that there is ample space around them to ensure a safe and enjoyable experience.

INPUT SIGNAL

In the world of entertainment today you have many choices. Star Trac recommends you know what type of video signal (cable, analogue, digital, satellite, antenna) is in the club facility and if it has a good signal. Don't forget every installation is different. Check to see that you have a coaxial cable connection at each location where a PVS will be installed.



CABLING

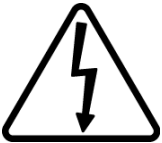
When Radio Frequency signals travel through cabling the signal will degrade over distance. Connectors may degrade the signal as well. Check each output before connecting to your PVS and make sure you have a clean strong signal to ensure an enjoyable experience. The Star Trac PVS requires a minimum signal strength of 45dBmV for analogue channels, and 40% for digital channels. Your club may require signal amplifiers to achieve a good strong signal. Star Trac recommends you use a qualified installer for your Audio Visual needs.

ELECTRICAL RECEPTACLES

The Personal Viewing Screen requires a plug-in 60 watt power supply to operate (included). Check with your club facility to ensure ample electrical receptacles are placed next to the equipment for a safe and proper install. Check with your contractor to make sure you have enough power.

WARNINGS AND CAUTIONS

	CAUTION RISK OF ELECTRIC SHOCK DO NOT OPEN	
ATTENTION RISQUE DE CHOC ELECTRIQUE, NE PAS OUVRIER		
PRECAUCION RIESGO DE CHOQUE ELECTRICO NO ABRIR		
CAUTION: TO REDUCE THE RISK OF ELECTRIC SHOCK, DO NOT REMOVE COVER (OR BACK). NO USER-SERVICEABLE PARTS INSIDE. REFER SERVICING TO QUALIFIED SERVICE PERSONNEL.		



This lighting flash with arrowhead symbol, within an equilateral triangle, is intended to alert the user to the presence of un-insulated “dangerous voltage” within the product’s enclosure that may be of sufficient magnitude to constitute a risk of electric shock to persons.



This exclamation point within an equilateral triangle is intended to alert the user to the presence of important operating and maintenance (servicing) instruction in the literature accompanying the appliance.



WARNING:

To reduce the risk of fire or electric shock, do not expose this appliance to rain or moisture.



DO NOT disassemble the PVS.

Any unauthorized maintenance will void the warranty. Inexperienced technicians can cause serious damage, electric shock, and other hazards. Contact your dealer or an experienced technician for repair.



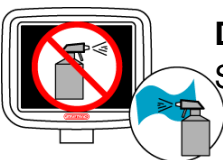
DO NOT place sharp tools such as a pin or other metallic object near the display.

May result in scratching the surface of the monitor as well as the frame.



Keep your monitor away from liquid or a humid place.

May cause electric shock and damage the display.



DO NOT spray any fluid directly on the surface of the monitor.

Spray the cleaner fluid on a soft cloth to wipe the surface of the monitor.



When strange sound or smoke occurs, be sure to unplug your power cord.

These problems can cause a serious electric shock and other hazards.

IMPORTANT SAFETY PRECAUTIONS

Electrical energy can perform many useful functions, but it can also cause personal injuries and property damage if improperly handled. This product has been engineered and manufactured with the highest priority on safety. But IMPROPER USE CAN RESULT IN POTENTIAL ELECTRICAL SHOCK OR FIRE HAZARD. In order to prevent potential danger, please read the following instructions when installing, operating and cleaning the product. To ensure your safety and prolong the service life of your new product, please read the following precautions carefully before using the product.

1. **Read these instructions**---All operating instructions must be read and understood before the product is operated.
2. **Keep these instructions**---These safety and operating instructions must be kept in a safe place for future reference.
3. **Heed all warnings**---All warnings on the product and in the instructions must be observed closely.
4. **Follow all instructions**---All operating instructions must be followed.
5. **Power source**---This product is intended to be supplied by a listed power supply indicated on the marking label. If you are not sure of the type of power supply to your home, consult your product dealer or local power company. For added protection for this product during a lightning storm, or when it is left unattended and unused for long periods of time, unplug it from the wall outlet and disconnect the cable system.
6. **Power cord protection**---Protect the power cord from being walked on or pinched particularly at plugs, convenience receptacles, and the point where they exit from the apparatus.
Note: where the mains plug or an appliance coupler is used as the disconnect device, the disconnect device shall remain readily operable.
7. **Overloading**---Do not overload wall outlets, extension cords, or convenience receptacles on other equipment as this can result in a risk of fire or electric shock.
8. **Replacement parts**---In case the product needs replacement parts, make sure that the service person replaces parts specified by the manufacturer, or those with the same characteristics and performance as the original parts. Use of unauthorized parts can result in fire, electric shock and/or other dangers.
9. **Safety checks**---Upon completion of service or repair work, request the service technician to perform safety checks to ensure that the product is in proper operating condition.
10. **Clean only with damp cloth**---Unplug this product from the wall outlet before cleaning. Do not use liquid cleaners or aerosol cleaners. Use a damp cloth for cleaning.
11. **Panel protection**---The display panel used in this product is made of glass. Therefore, it can break when the product is dropped or impacted upon by other objects. Be careful not to be injured by broken glass pieces in case the display panel breaks.
12. **Pixel defect**---The display panel is a very high technology product, giving you finely detailed pictures. Occasionally, a few non-active pixels may appear on the screen as a fixed point of blue, green or red. Please note that this does not affect the performance of your product.

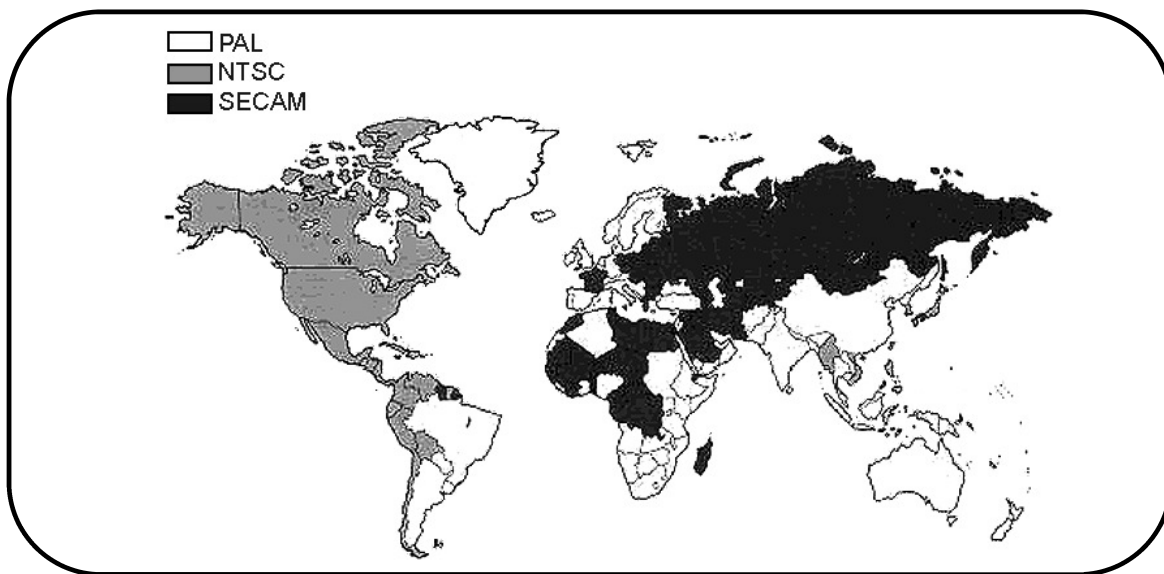
Warning:

To prevent the spread of fire, keep candles or other open flames away from this product at all times.

UNPACKING YOUR PERSONAL VIEWING SCREEN

Inspect the shipping box for any parts that may be missing BEFORE discarding the box. Items can shift during transportation, and may be accidentally discarded with the box. If any parts are missing, please contact Star Trac Product Support at 800-503-1221. Have the serial number of the PVS, and a list of the missing parts ready so they may be shipped to you. The Personal Viewing Screen is shipped in one box separate from your exercise equipment.

PVS kits are available in two different signal formats; NTSC/ATSC (typically US, Japan) and PAL/SECAM (typically Europe, Middle East), make sure the kit you have is appropriate for the country of the club facility.



The following items will be in the box:

NTSC/ATSC Kit (US, Japan)

- PVS assembly with mounting bracket, cables, and display cap with grommet (*There are 5 cables in the neck*)
- Center console keypad assembly
- Entertainment headphone jack and Mount
- Hardware tool kit, including:
 - (1) Headphone icon
 - (4) M8 x 20mm buttonhead screws
 - (5) M4 x 0.7X19L screws
 - (1) M8 hex nut
 - (1) Silicone wrap
 - (2) 5" tie straps
 - 5MM hex Allen key.
- 60w power supply (*NOT INCLUDED IN THE E-TRi KIT*)
- Power cord, AS/NZS 3112 (*NOT INCLUDED IN THE E-TRi KIT*)
- Power cord, Nema 6-15 (*NOT INCLUDED IN THE E-TRi KIT*)
- Power cord, Nema 5-15 (*NOT INCLUDED IN THE E-TRi KIT*)
- Owners manual
- Warranty card.

PAL/SECAM Kit (Europe, Middle East)

- PVS assembly with mounting bracket, cables, and display cap with grommet (*There are 5 cables in the neck*)
- Center console keypad assembly
- Entertainment headphone jack and mount
- Hardware tool kit, including:
 - (1) Headphone icon
 - (4) M8 x 20mm buttonhead screws
 - (5) M4 x 0.7X19L screws
 - (1) M8 hex nut
 - (2) 5" tie straps
 - Silicon wrap
 - F-type male to female PAL/SECAM coaxial adapter
 - 5MM hex Allen key.
- 60w power supply (*NOT INCLUDED IN THE E-TRi KIT*)
- Power cord, CEE 7/7 (*NOT INCLUDED IN THE E-TRi KIT*)
- Power cord, Nema 6-15 (*NOT INCLUDED IN THE E-TRi KIT*)
- Power cord, BS 1363 (*NOT INCLUDED IN THE E-TRi KIT*)
- Owners manual
- Warranty card.

Required Tool for Installation

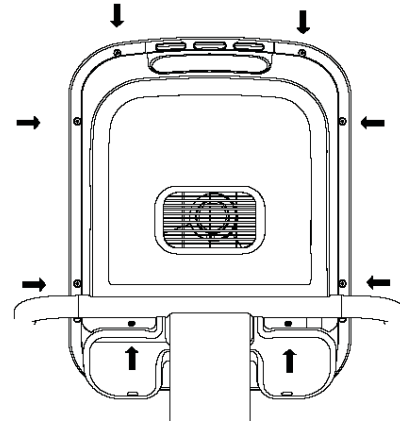
- 5MM hex Allen key
- #2 Phillips screwdriver (*Not Included*)
- 1/2" wrench (*for E-TRi kits only, not included*)
- Wire cutters (*Not Included*)
- Pliers (*Not Included*)
- Step stool (*Not Included*)

INSTALLING YOUR PVS ON THE E-UB, E-RB, E-TBT, AND E-ST

The Star Trac Personal Viewing Screen is different for each of your Star Trac E-Series Cardio products. Make sure you have the proper kit for the E-Series product you are installing. The E-UBi, E-RBi, E-TBTi, and the E-STi will follow the same basic steps for installation. For the E-TRi turn to appropriate section of this manual.

STEP 1.

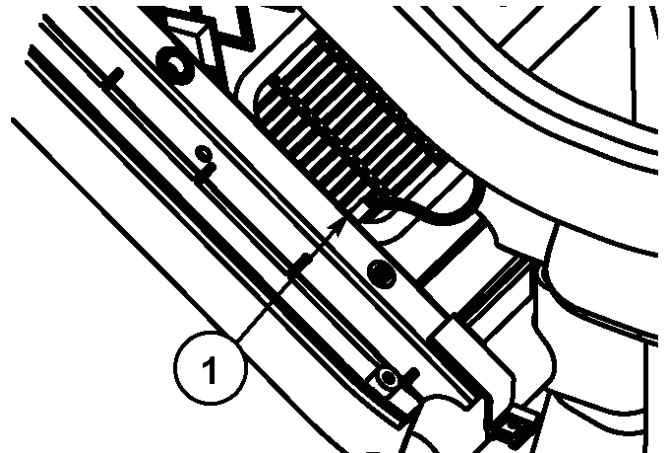
Using a #2 Phillips screwdriver, remove the (8) screws on the back of the display plastic. Set the screws aside, you will need them for re-assembly.



STEP 2.

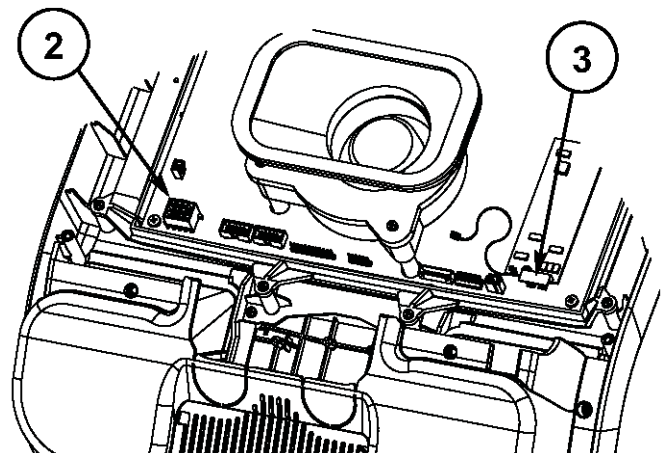
After the screws have been removed, carefully open the display plastic, so as to not detach the inner cables from the display.

Disconnect the ground wire (1) between the heart rate board and the display mount.



STEP 3.

Disconnect the 12-pin serial cable (2) and the heart rate cable (3) from the display.



After all the cable/harnessing has been disconnected, place the front display plastics aside for later use. Be careful with the display and place it face down on top of a non-scratching surface.

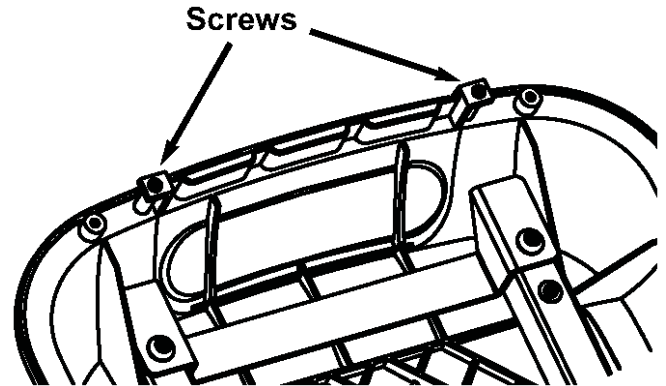
NOTE

You can use the foam bag that ships inside the Personal Viewing Screen package to place the display face onto. This will help protect it from being damaged.

STEP 4.

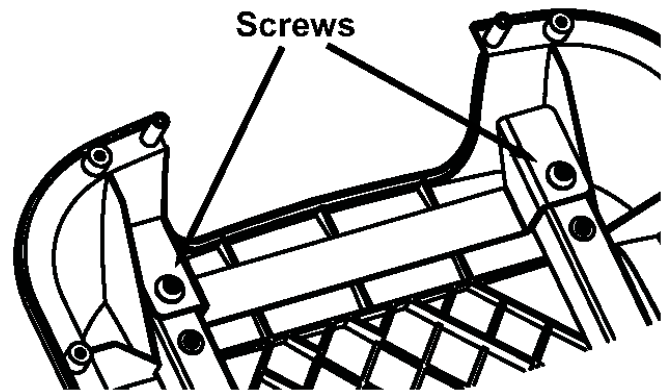
Remove the cap cover with the Star Trac logo from the back cover plastics by removing the (2) screws using a #2 Phillips screwdriver. **Retain the screws for later use.**

You will no longer need the cap cover and, if desired, you can store it away for any possible future use.

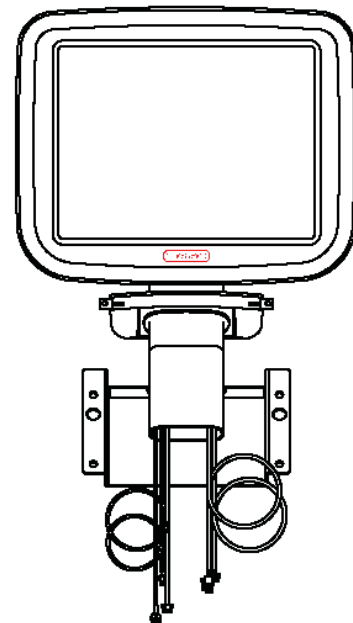
**STEP 5.**

Remove the (2) M8 buttonhead screws retaining the cross-brace using provided 5mm Hex key. **Retain screws for later use.**

You will no longer need the cross-brace and, if desired, you can store it away for any possible future use.

**STEP 6.**

It is now time to install the Personal Viewing Screen. Remove the PVS with its mounting bracket and cables from the packaging. Also remove the (2) M8 buttonhead screws from the hardware kit in the packaging.

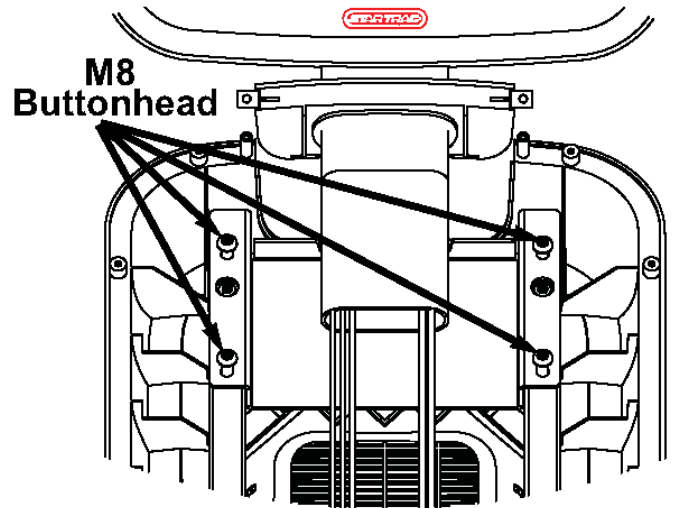


STEP 7.

Mount the PVS assembly on the mounting bracket, then thread the (4) M8 buttonhead screws through the PVS mounting bracket into the display mount. Do not tighten the screws yet.

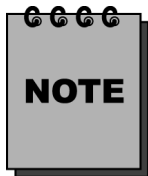
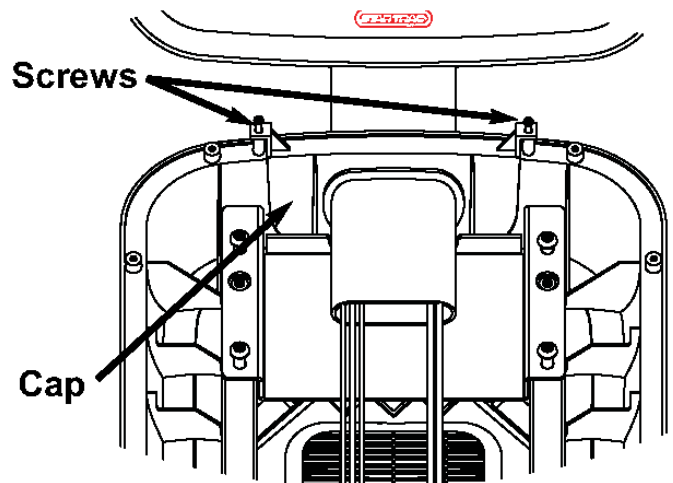
Note:

(2) of the screws are in the PVS kit, (2) retained from step 5.



STEP 8.

Adjust the cap with the grommet into place. Using the 5mm Hex key, tighten the M8 buttonhead screws to 190 lb-in (21.5 N-m) of torque. Take the (2) Phillips head screws you removed from the original cap and snugly tighten screws down using a #2 Phillips screwdriver.



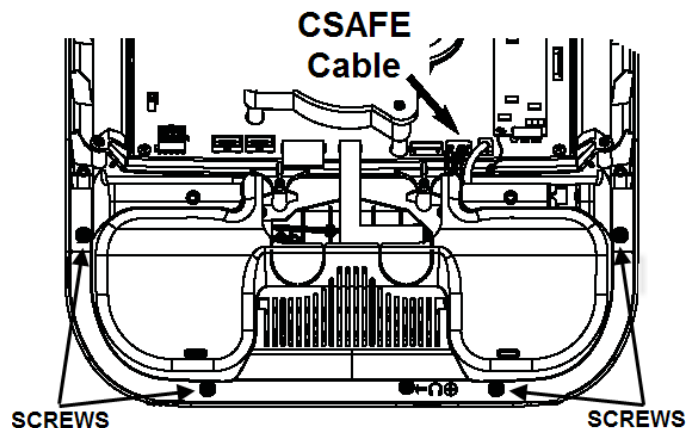
Check the back side of the display to see that the cap is seated properly. If not, loosen the two Phillips Head Screws, adjust the cap and then retighten the screws.

STEP 9.

Using a #2 Phillips head screwdriver, remove the (4) screws that hold bottom side of the display console on. Next remove the bottom cover.

Caution: When removing bottom cover, gently disconnect the CSAFE cable from the back of the display board.

Retain screws for later use.

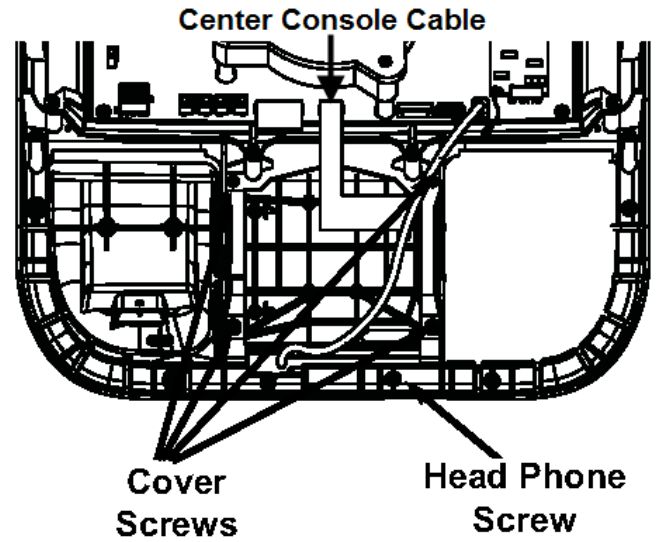


STEP 10.

Using a #2 Phillips head screwdriver, remove the (4) screws that hold center console to the display and remove the screw that holds in the blank cover where the new headphone jack mount will go.

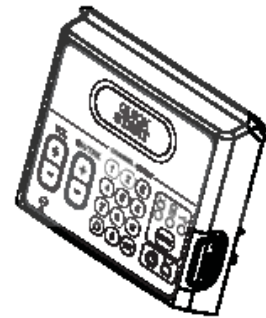
Next detach the center console ribbon cable then remove the center console and the blank headphone cover. **Retain screws for later use.**

Note: You will no longer need the center console and headphone jack cover, both can be stored away for any possible future use.



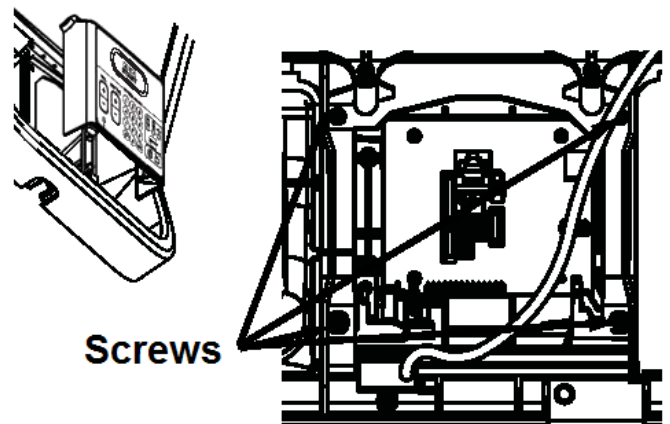
STEP 11.

Take the new PVS center console from the kit.



STEP 12.

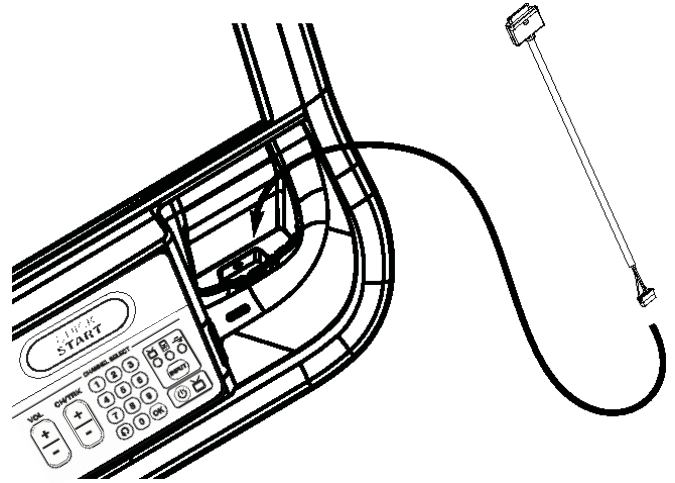
insert the new center console into the front display. Using a #2 Phillips screwdriver, screw in the (4) screws that were saved from the original center console. Tighten the screws so they are snug.



STEP 13.

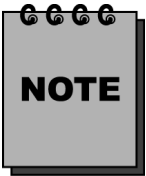
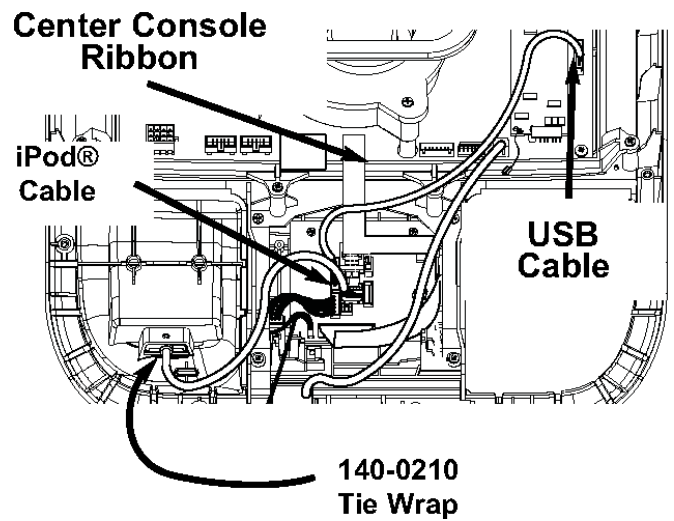
Note: If the iPod cable comes pre-installed on the cradle, skip this step.

Take the iPod® cable from the kit. Install the cable into the iPod® cradle on the front side of the display console by removing the plug from the cradle then inserting the cable through opening. Make sure cable is aligned properly with the display plastics. Press firmly to ensure the cable is seated into the cradle.



STEP 14.

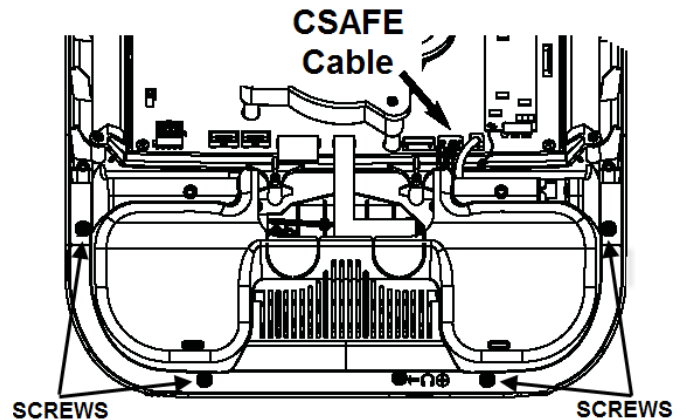
With the center console now installed, it is time to attach the USB cable, center console ribbon and the iPod® cable. Take the USB cable from the center console and attach it to the **CCB J14** connector on the display board. Next take the center console ribbon cable and attach it to the display PC board. Then take the iPod® cable from the base of the mount to the center console. Tie the iPod® cable to the plastic using the 3.5" tie wrap.



Make sure pin one on the cable is connected to pin one on the board.

STEP 15.

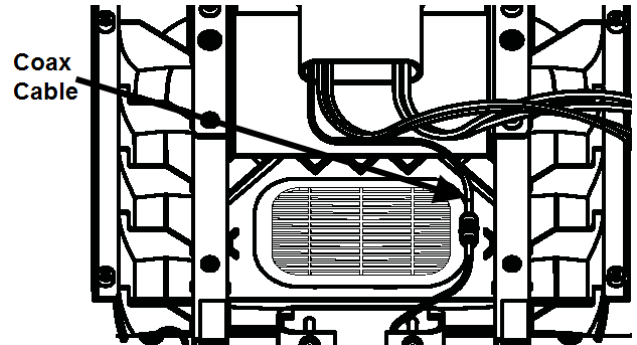
Next replace the bottom cover. Using a #2 Phillips head screwdriver, replace the (4) screws that hold the bottom side of the display console on. Then plug in the CSAFE cable to the back of the display board.



With the changes now completed on the display, it is now time to re-install the display console to the base unit. There are the (3) cables from the PVS mount that will need to be attached to the display. One cable from the PVS mount will be fed through the display which will be connected to the head phone jack later. The fifth cable from the PVS mount, which is the coax, will be connected to the coax on the base unit. There are (2) cables from the base unit that will be connected to the display. Use the image below to help reference the needed points on the display.

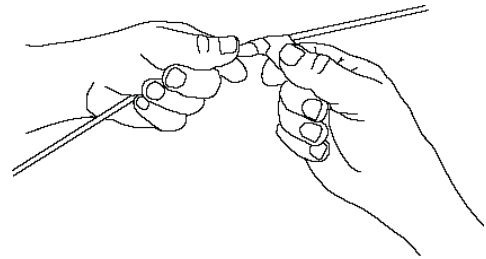
STEP 16.

Take the coax cable from the PVS mount and attach it to the coax cable on the base unit. Tighten the connectors snug to each other.



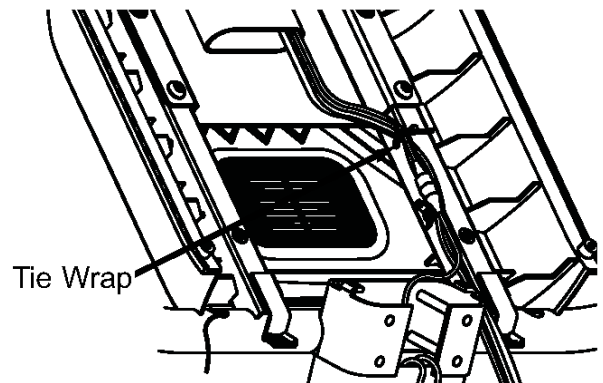
STEP 17.

Now take the 5" silicon wrap from the kit and peel off its protective tape then wrap the two connectors so that all of the metal surface is covered



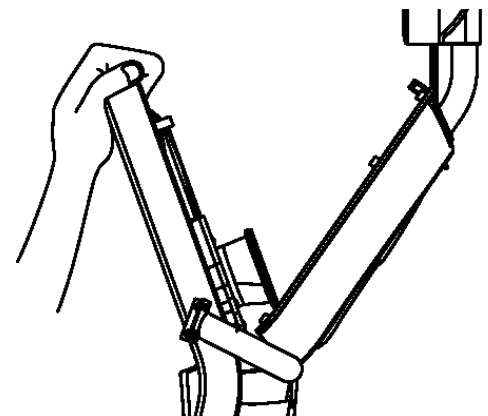
STEP 18.

Using a 5" tie wrap from the PVS kit, bind the cables from the PVS neck to one side of the display mount. Take the tie and put it through the hole on one of the display mount tubes.



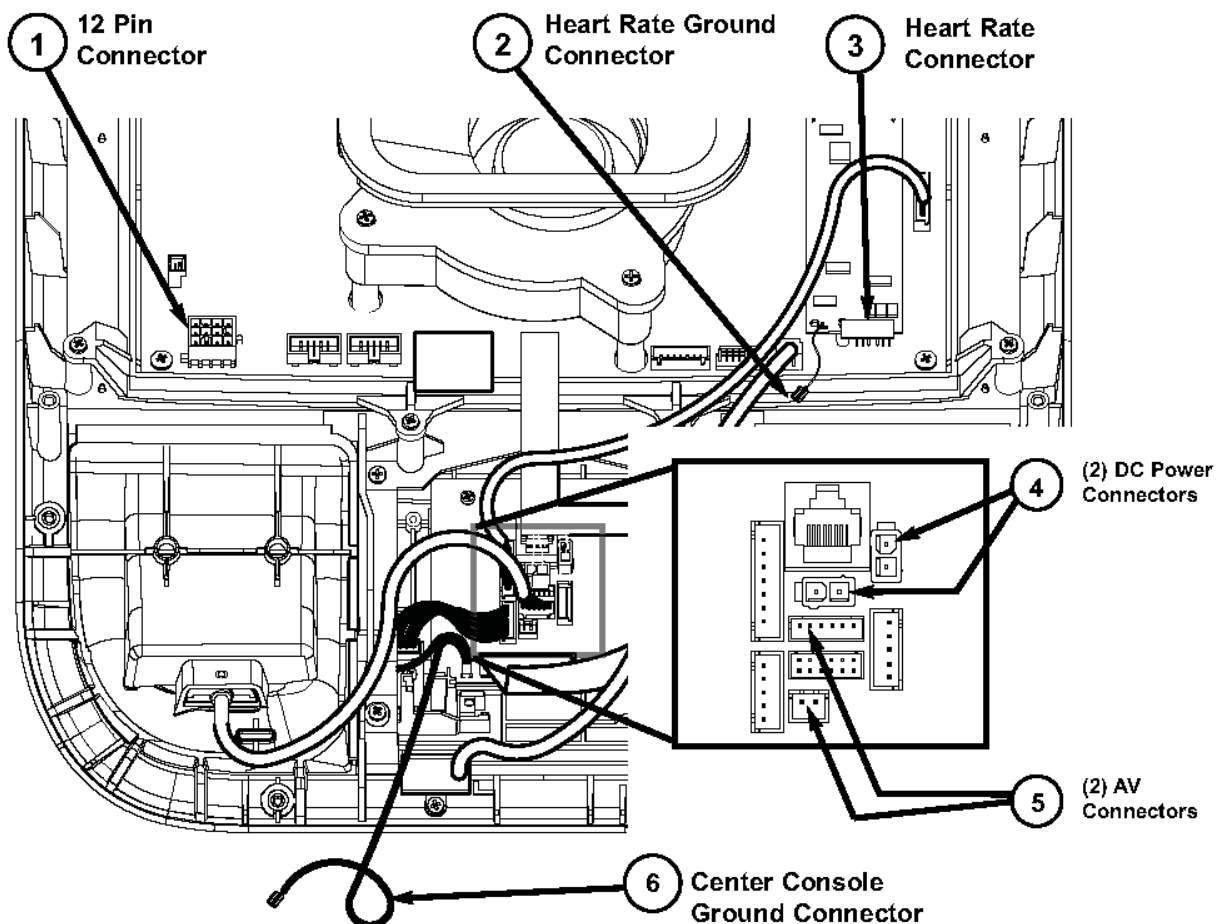
STEP 19.

Now, take the front display plastics with the new center console to the base unit. Hold the front display plastics at the top with one hand while connecting the cables/harnesses with the other. There is no particular order in connecting the cables. However, it may be best to start off connecting the cables/harnessing coming from the neck of the base unit.



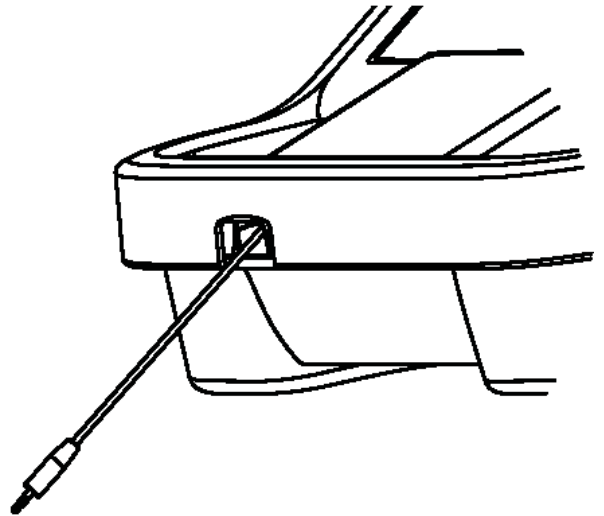
STEP 20.

- Connect the 12 pin serial cable from the base frame neck to the **1** 12 pin socket on the display.
- Connect the ground cable from the front display **2** heart rate board to one of the terminals on the display mount.
- Connect the heart rate cable from the display support tube to the **3** heart rate board on the display.
- Connect the DC power from the base frame neck to either one of the **4** DC connectors on the front display center console board.
- Connect the DC power from the PVS display neck to the other **4** DC connector on the front display center console board
- Connect the AV cables from the PVS display neck to the **5** (2) AV connectors on the center console board.
- Connect the ground cable from the front display **6** center console to one of the terminals on the display mount.



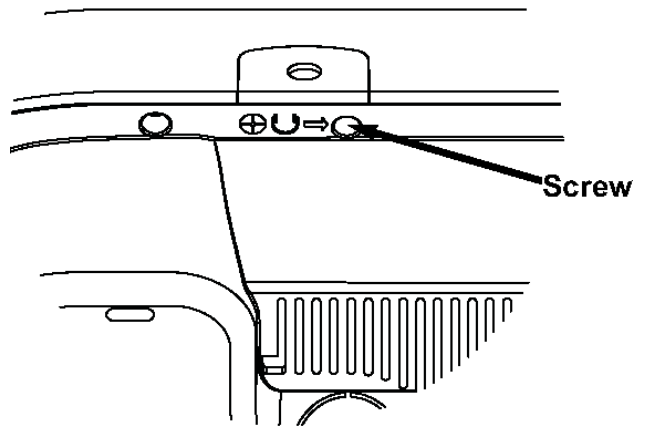
STEP 21.

Feed the headphone jack cable from the PVS display neck through the hole in the front display plastics where the blank cover was removed earlier.



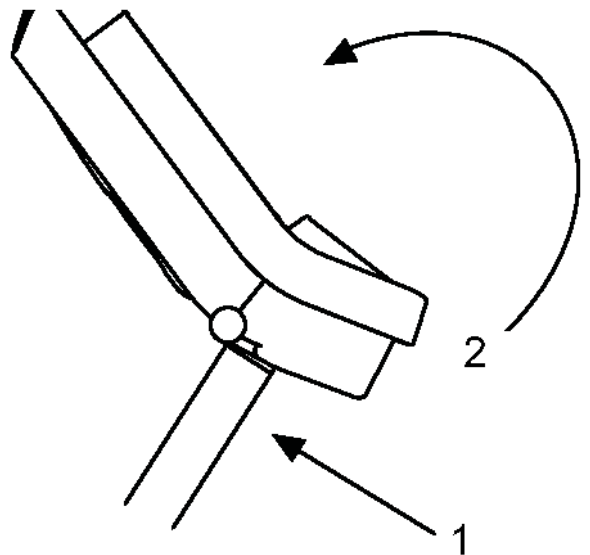
STEP 22.

Take the entertainment headphone jack from the PVS kit and attach it to the cable that is hanging out of the front of the display. Make sure the connector is seated all the way into the jack. Now slide the jack into the front of the display. Using a #2 Phillips screwdriver, fasten the headphone jack into the front display with the screw that was saved from the earlier step.



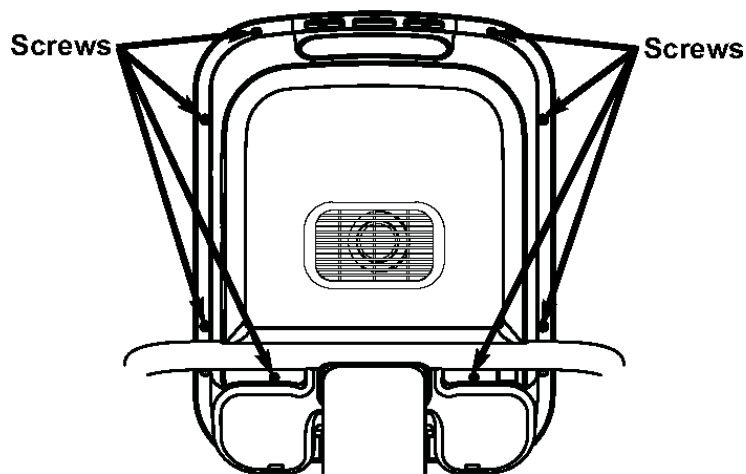
STEP 23.

Now that all the cables are in their places, and confined to the post on the display mount, place the display front plastic onto the back. Make sure the bottom of the display front is under the 2 tabs on the display mount. Press the front display against the round tube and rotate it to the back. Be careful not to pinch any wires.



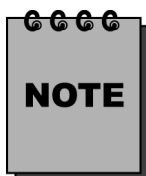
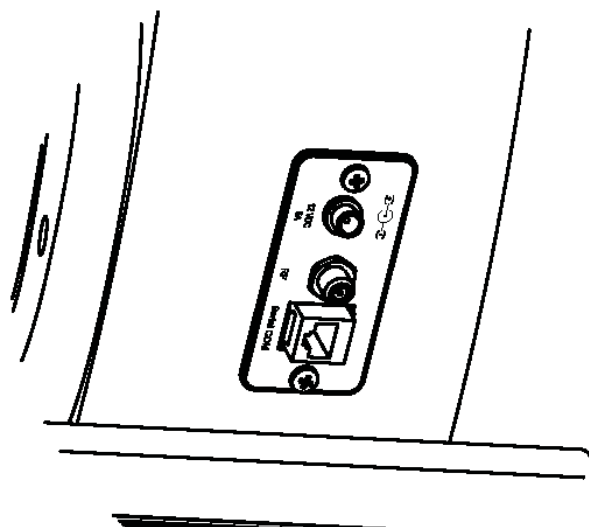
STEP 24.

Using a #2 Phillips screwdriver, secure the front display to the back with the (8) screws you previously removed and saved.



STEP 25.

Now with the Personal Viewing Screen installed on your Star Trac equipment, it is time to connect your entertainment cable and power to the unit. Look at the bottom of the neck, next to the floor. Connect your in-house Entertainment cable to the RF input. Take the power supply from the PVS kit and plug the small barrel connector to the DC input. Now take the appropriate power adapter cable from the kit and plug it into the power supply and the electrical receptacle.



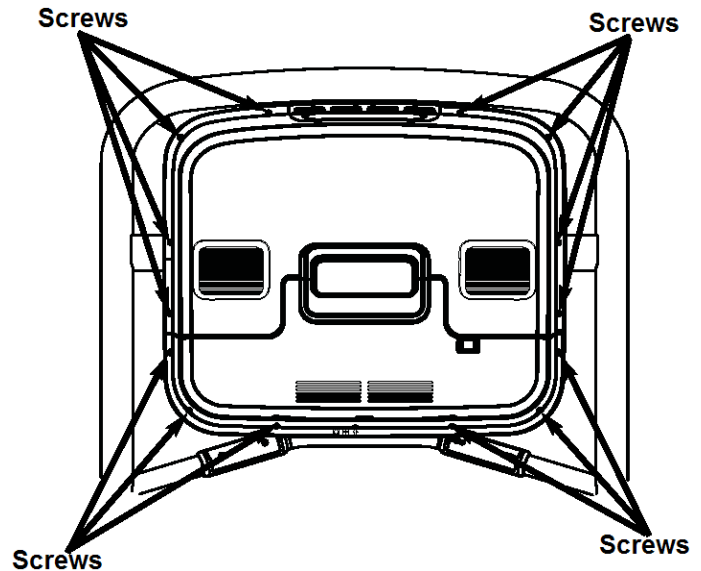
Only use the power supply that was provided in your Personal Viewing Screen Kit. Using the wrong supply may damage your PVS.

This completes the installation of the Personal Viewing Screen on the E-UB / E-RB / E-TBT / E-ST. Now it is time to set it up. Turn to the appropriate section for your Personal Viewing Screen.

INSTALLING YOUR PVS ON THE E-TR AND E-TRx

STEP 1.

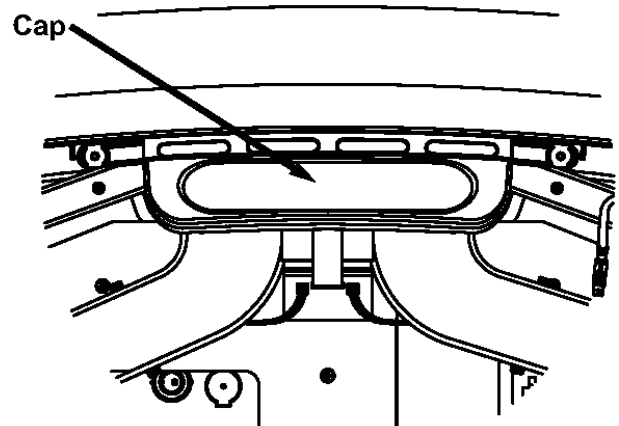
Using a #2 Phillips screwdriver, remove the (8) screws from the upper back of the display. Place the cover somewhere safe to keep it from being damaged. Next, remove the (6) screws from the lower back of the display. Place the cover with the other one. **Retain all the screws for later use.**



STEP 2.

Now remove the upper cap cover that has the STAR TRAC logo on it. This cap is held in by the upper back cover.

You will no longer need this cap cover and, if desired, you can store it away for any possible future use.



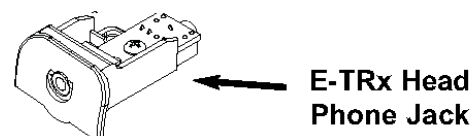
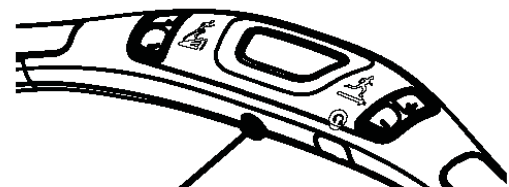
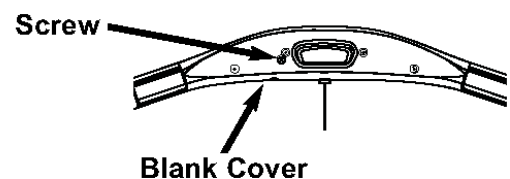
STEP 3. (E-TRx ONLY)

Note: If you have an E-TR skip this step.

Using a #2 Phillips screwdriver, remove the screw that holds in the blank headphone jack cap at the lower front of the Hot Bar. **Retain the screw.**

You will no longer need the cap and, if desired, you can store it away for any possible future use.

Now take the headphone jack from the iPod® CC hardware kit. Connect the headphone jack to the cable in the jack opening. Use the previously retained screw to reinstall the headphone jack. Tighten snugly. Skip ahead to Step 5.

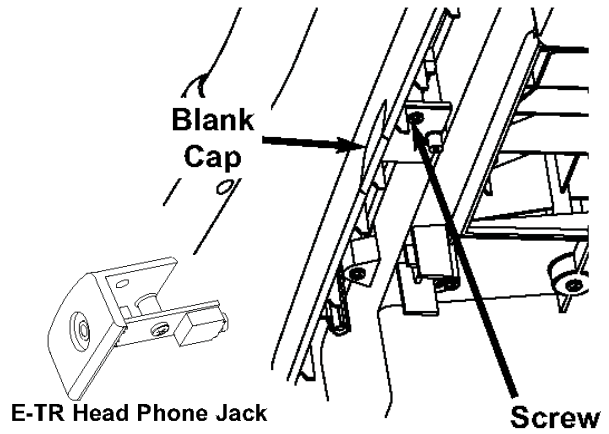


STEP 4. (E-TR ONLY)

Using a #2 Phillips screwdriver, remove the screw that holds in the blank headphone jack cap at the lower front of the display. **Retain the screw.**

You will no longer need the cap and, if desired, you can store it away for any possible future use.

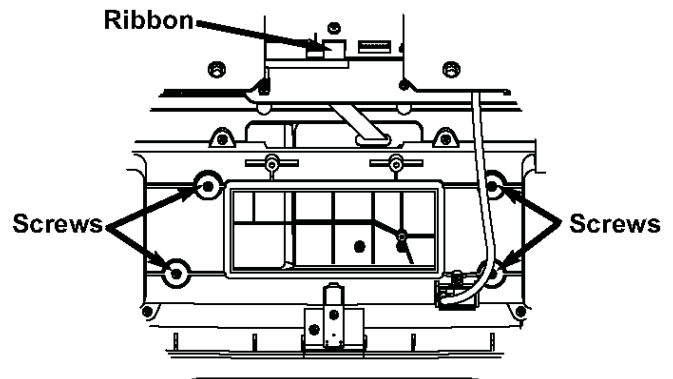
Now take the headphone jack from the iPod® CC hardware kit. Connect the headphone jack to the cable in the jack opening. Use the previously retained screw to reinstall the headphone jack. Tighten snugly.



STEP 5.

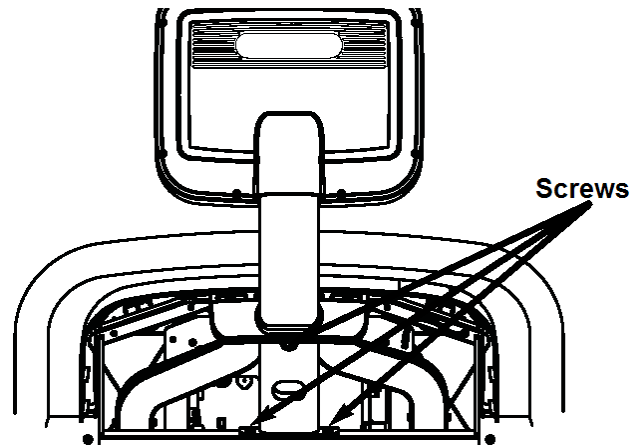
Detach the center console ribbon cable from the display board by gently pulling on the ribbon connector. Using a #2 Phillips screwdriver to remove the (4) screws that hold the center console in place. **Retain the screws for later use.**

Remove the center console. *You will no longer need this center console and, if desired, you can store it away for any possible future use.*



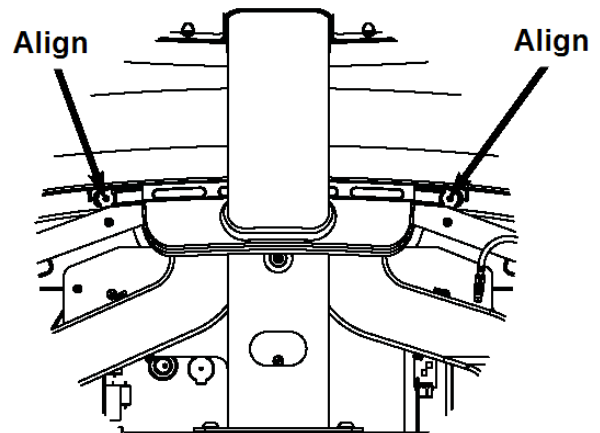
STEP 6.

Take the Personal Viewing Screen from the PVS kit. Next, take the (3) M8 buttonhead screws, the M8 Hex nut with washer, and the 5mm Hex key from the PVS hardware tool kit. Mount the Personal Viewing Screen on the treadmill. Using the 5mm Hex key, screw in the (2) M8 buttonheads at the base of the PVS first (do not tighten yet). Using the 5mm hex key put one of the M8 buttonhead screws into the hole on the PVS neck, then put the Hex nut with washer on the back side (do not tighten).



STEP 7.

Adjust the display cap up or down to align with the holes on the display front. Once the cap is aligned, tighten all three buttonhead screws with the 5mm hex key.



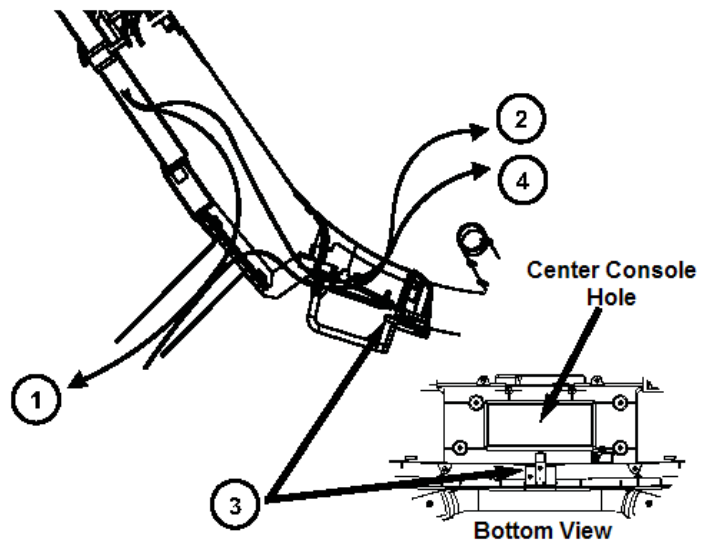
STEP 8.

Now that the PVS is mounted onto the treadmill, you need to route the wires to their proper places:

- Take the coax cable ① and feed it all the way down the treadmill neck.
- Feed the DC power cable ② from the treadmill neck through the center console hole.

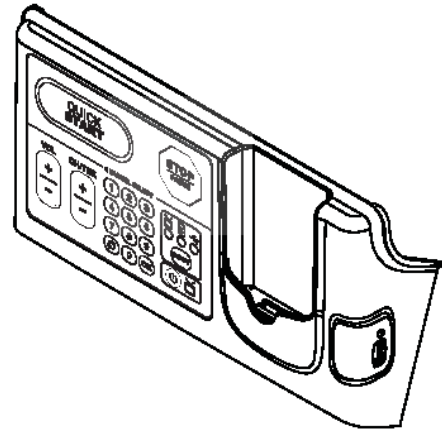
(E-TR ONLY)

- Next take the headphone jack cable ③ from the PVS neck and connect it to the headphone jack.
- Now feed the other (3) cables ④ through the display and out the center console hole.



STEP 9.

Take the entertainment center console from the PVS Kit.



STEP 10. (E-TRx ONLY)

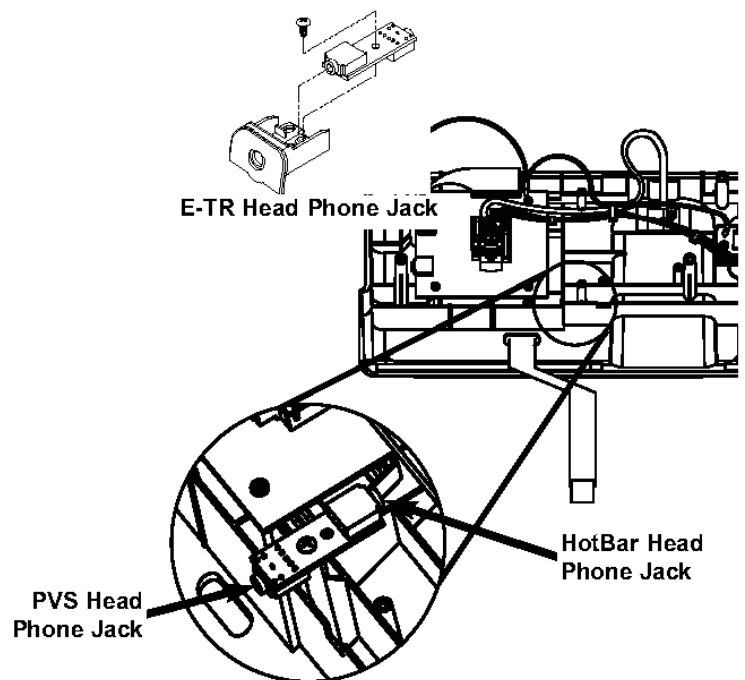
Take the E-TR headphone jack from the PVS kit. Disassemble the headphone jack. Retain the screw and the board.

Take the entertainment center console from the PVS Kit. Flip it over so you are looking at the back side.

Mount the headphone jack board to the center console using the screw from earlier.

NOTE: The headphone jack must be mounted as seen to reduce interference.

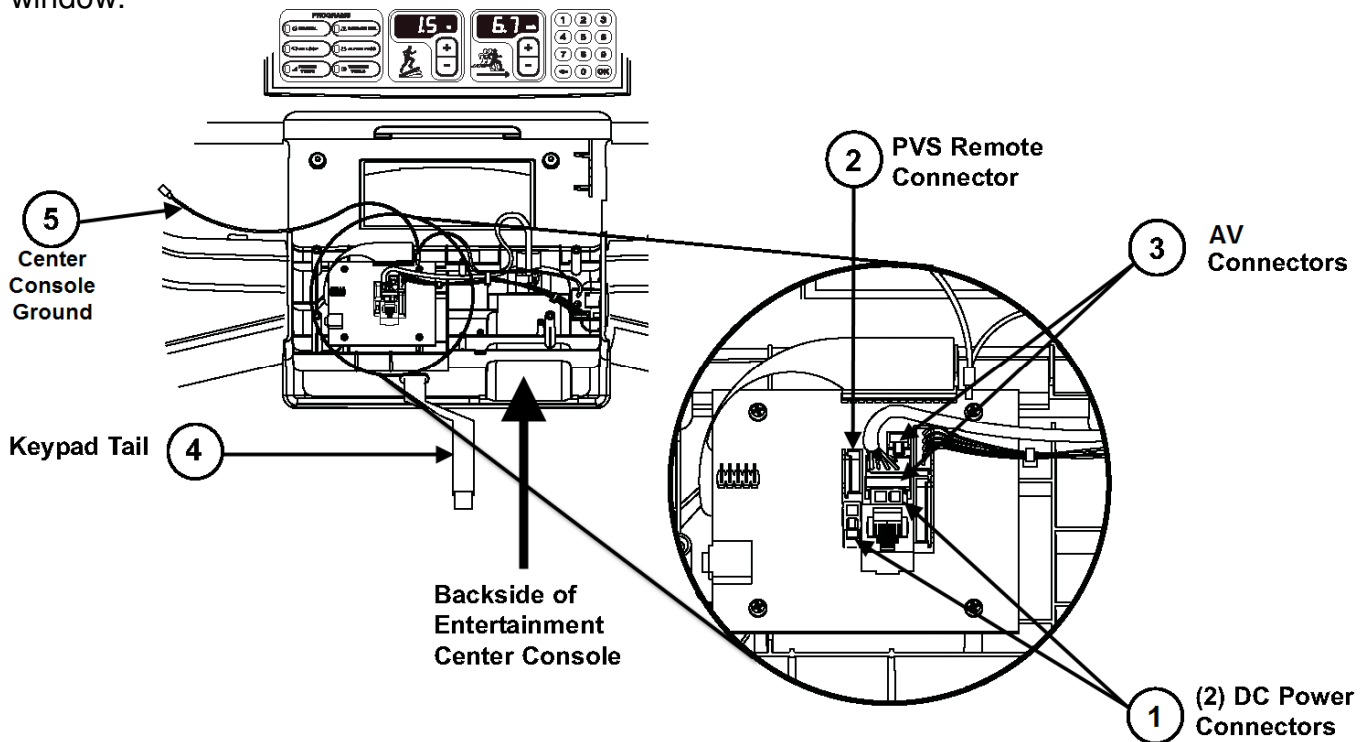
Once the center console has been mounted into the display connect the head phone jack to the appropriate jack as noted.



STEP 11.

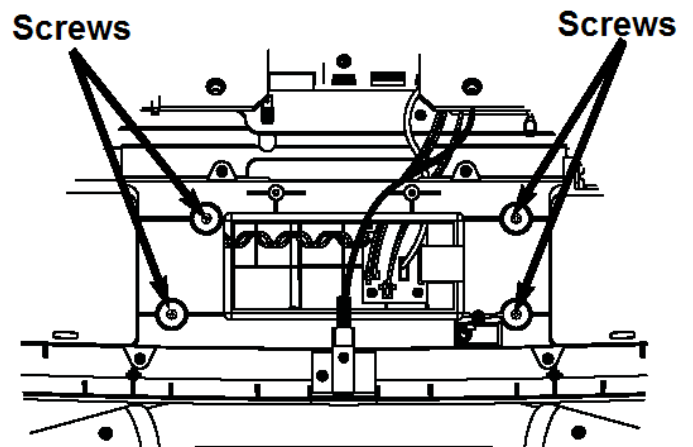
While holding the new center console near the opening of the display, connect the following cables to their appropriate connector. (There is no particular order):

- Plug in the (2) DC power cables to **1** the DC connectors, (they are the same so it does not matter which goes to which).
- Plug in the PVS remote cable to the **2** PVS remote connector.
- Plug in the A/V cable to the audio (6-pin) and the video (2-pin) connector, respectively, to the **3** A/V connectors on the center console board.
- Take the **4** keypad tail, and the **5** center console ground and feed them through the cable window.



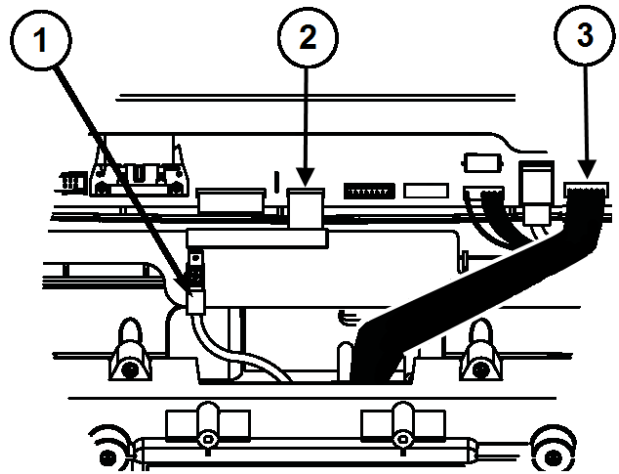
STEP 12.

Close the center console. Using a #2 Phillips screwdriver, take the screws retained from earlier and screw in the (4) screws from below that hold in the center console. Tighten the screws snug.



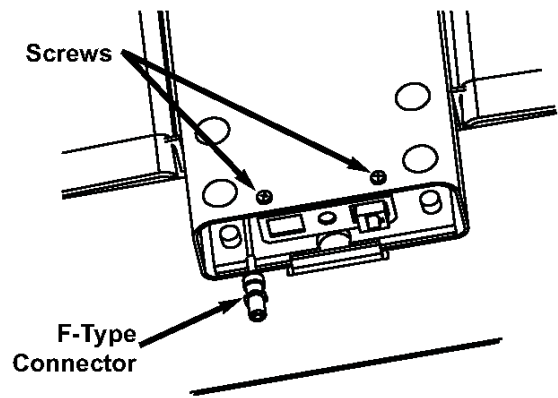
STEP 13.

- Plug the center console's ground cable (1) into the quick disconnect tab on the back display mount.
- Connect the keypad tail to the (2) keypad connector on the display board.
- Connect the interface cable to the (3) Interface connector **J11** on the display board.



STEP 14.

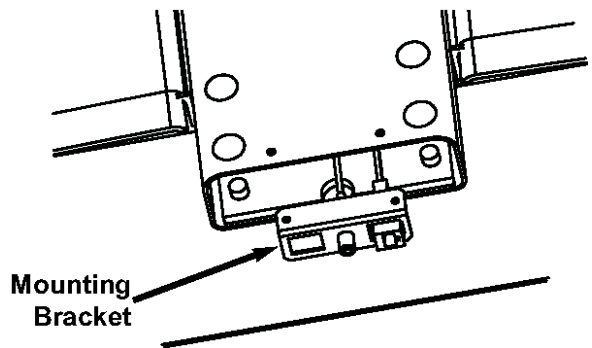
Go to the base of the treadmill neck. Using a #2 Phillips screwdriver, remove the (2) screws that hold in the RF cable Mounting Bracket. **Retain the screws for later use.**



STEP 15.

Remove the nut and washer from the F-Type connector on the end of the coax cable you fed down the treadmill neck, then put connector through the mounting bracket. Replace the nut and washer, and tighten the nut snugly.

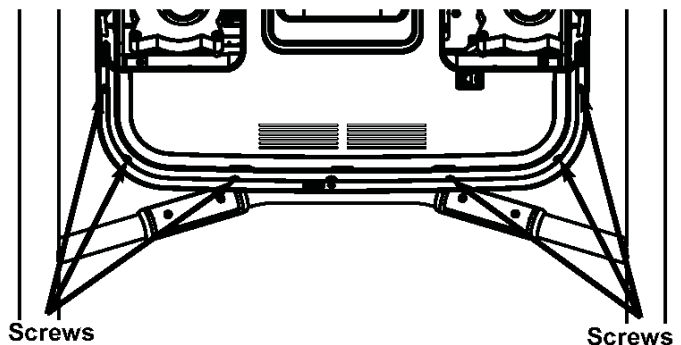
Next replace mounting bracket into the neck, using the screws retained from previous step. Tighten with a #2 Phillips screwdriver.



STEP 16.

Replace the bottom back plastic cover. Using a #2 Phillips screwdriver insert the (6) screws, retained from earlier step, into the plastic and tighten snug.

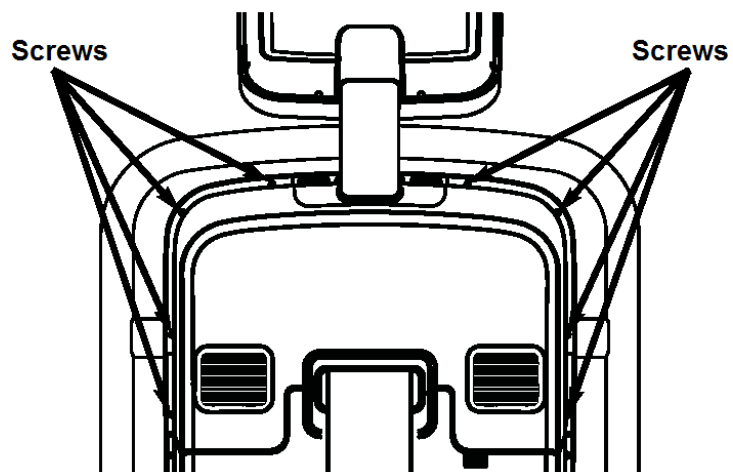
Caution: Do not over tighten screws.



STEP 17.

Replace the top back plastic cover. Using a #2 Phillips screwdriver insert the (8) screws, retained from earlier step, into the plastic.

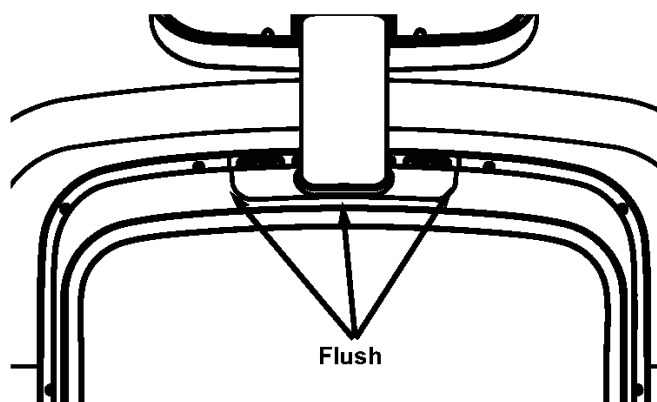
Do Not tighten screws at this time.



STEP 18.

Check the cap with the neck and grommet. Make sure the cap is flush with the top back plastic. Adjust if necessary. Use the screwdriver to tighten the screws snug from the previous step.

Caution: Do not over tighten screws.




This completes the installation of the Personal Viewing Screen on the E-TR / E-TRx treadmill. Now it is time to set it up. Turn to the appropriate section for your Personal Viewing Screen.

SETTING UP YOUR PERSONAL VIEWING SCREEN (NTSC / ATSC)


Basic Operations

Turning On / Off the Power



Turning On

Press the  button on the control module, the unit will be turned on and you will be ready to use its features.

Turning Off

With the power on, press the  button on the control module to turn off the unit.

Note:

- *When selecting AV mode, the  button can not work. If you want to turn off the unit, please select TV mode first.*
- *In TV mode, when there is no signal input for 30 seconds, the unit will turn off the back light automatically. Once you press any button (except  button) on the control module or the unit receives a signal input, the unit will display normally.*
- *In AV mode, when there is no signal input for 3-5 seconds, the unit will turn off the back light automatically. When you press **VOL+/-** button or the unit receives a signal input, the unit will display normally.*


Selecting the Input Signal Source

Press the **INPUT** button repeatedly to select your desired input source. Options include:

- **TV** - Watch TV.
- **iPod** - Listen to your iPod or watch a movie or other video from your iPod on the PVS screen.
- **USB** - Listen to music from your USB device.

Channel Selection

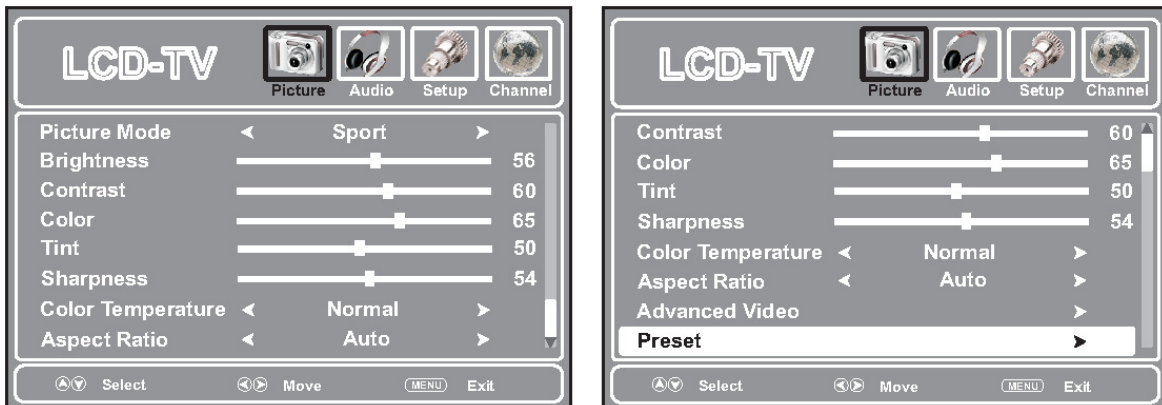
You can use the following ways to change channels:

- Press **CH+** or **CH-** to go to the next or previous channel. The skipped channels can't be selected.
- Press the number buttons to directly select any channel you want.
- To go to the previous channel viewed, press the  button.

Adjusting Picture Menu Options

Adjusting the Picture

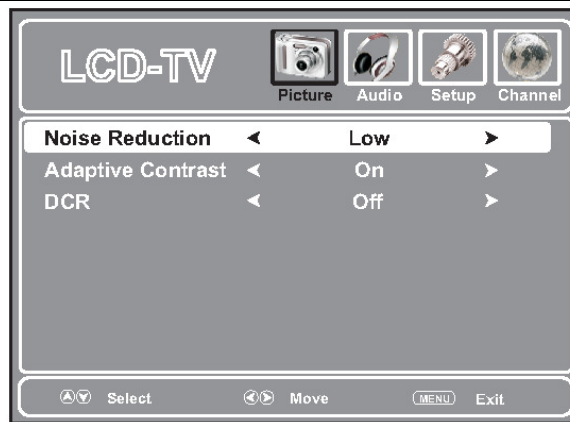
1. Press **VOL+**, **CH+** and number button **[3]** at the same time to display the main menu.
2. Press **VOL+/-** to select **Picture** menu, press **CH-** to access the menu.
3. Within the menu, press **CH+/-**, **VOL-** to navigate through the options or adjust an option. If the selected item has submenu, press **VOL+** to access.
4. Press **VOL+**, **CH+** and number button **[3]** at the same time to return to previous menu.



Option	Description
Picture Mode	Select a desired picture mode. You can select from Sport , Custom , Vivid , Standard , Energy Savings and Theater . Sport: Select for a dynamic picture. Custom: Select for a customized picture. Vivid: Select for a bright and vivid picture. Standard: Select for a standard picture. Energy Savings: Select for energy savings, the backlight brightness will be decreased. Theater: Select for a finely detailed picture
Brightness	Adjusts screen brightness for easier viewing of dark picture such as night scenes and black hair.
contrast	Adjusts image contrast.
Color	Adjusts color saturation.
Tint	Adjusts tint for image.
Sharpness	Adjusts image sharpness and displays a sharp image.
Color Temperature	Select one of three automatic color adjustments. Set to Warm to enhance hotter colors such as red, or set to Cool to see less intense colors with more blue. You can select from Warm , Cool and Normal .
Aspect Ration	You can select the aspect ratio (display proportions) according to your video signal type or personal preference. You can select from Normal , Zoom , Cinema and Auto . Normal: Select the correct aspect ratio to match the source's image. (4:3 to 4:3, 16:9 to 16:9) Zoom: Enlarges the picture, the top and bottom portion of the picture may be cropped. Cinema: Stretches the picture at the edges while maintaining a good aspect ratio at the center of the screen. Auto: Select the correct aspect ratio automatically

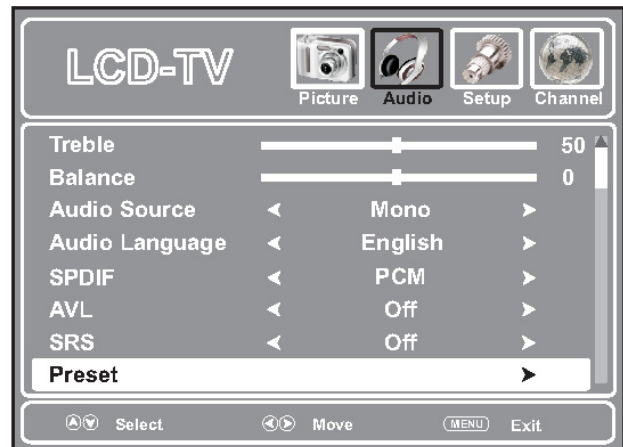
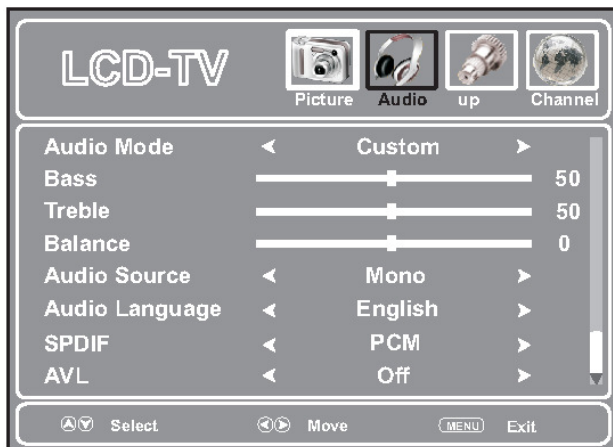
Adjusting Audio Menu Options

Option	Description
Advanced Video	<p>Making use of Advanced Video sub-menu to adjust Noise Reduction, Adaptive Contrast and DCR.</p> <hr/> <p>Noise Reduction: Select from Low/Middle/High to reduce noise in the picture, commonly called snow. Select Off to turn off this function.</p> <hr/> <p>Adaptive Contrast: Select from Low/Middle/High to reduce noise in the picture detail and brightness.</p> <hr/> <p>DCR: Select On to enhance the contrast ratio between light and dark areas of the picture.</p>
Preset	Select Yes then press OK to reset most setting of current source to Picture's default settings.



Adjusting the Sound

1. Press **VOL+**, **CH+** and number button **[3]** at the same time to display the main menu.
2. Press **VOL+/-** to select **Audio** menu, press **CH-** to access the menu.
3. Within the menu, press **CH+/-**, **VOL-** to navigate through the options or adjust an option. If the selected item has submenu, press **VOL+** to access.
4. Press **VOL+**, **CH+** and number button **[3]** at the same time to return to previous menu.



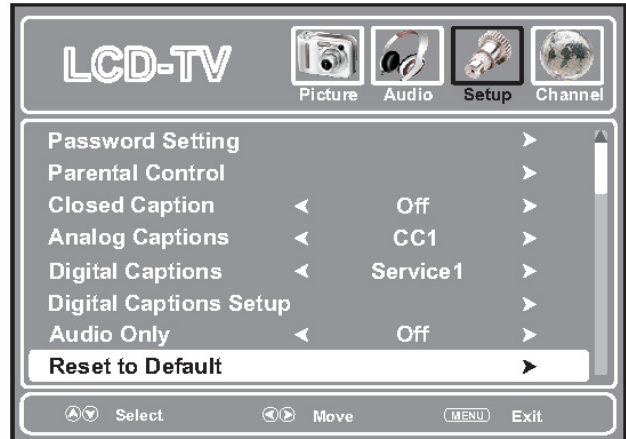
Adjusting Audio Menu Options (Continued)

<i>Option</i>	<i>Description</i>
Audio Mode	Select a desired audio mode. You can select from Custom , Standard , Movie and News .
	Custom: Select for a customized sound mode.
	Standard: Select for normal program.
	Movie: Select for movie program.
	News: Select for news program.
Bass	Adjusts Bass (low sounds).
Treble	Adjusts Treble (high sounds).
Balance	Adjust volume balance (left and right volume)
Audio Source (Only for analog Programs)	Select a desired audio source. You can select from Mono , Stereo and Sap .
	Mono: Select for mono reception. Use to reduce noise during weak stereo broadcasts.
	Stereo: Select for stereo reception when viewing a program broadcast in stereo.
	Sap: Select to automatically switch the TV to second audio programs when this signal is received.
Audio Language (Only for digital programs)	Select an alternate language if the program has more than one language.
SPDIF (Only for digital programs)	Select the digital audio output mode for SPDIF. You can select PCM or RAW.
AVL (Auto Volume Limit)	Select On to adjust the volume by lowering the sound output when the modulation signal is high. Select Off to turn off this function.
SRS	Select On to turn on the surround sound effect. The benefits of surround sound are enormous. You can be completely enveloped in sound, just as if you were at a concert hall or cinema. Select Off to turn off surround sound.
Preset	Select Yes then press OK to reset most setting of current source to Audio 's default settings.

Adjusting Setup Menu Options

System Setup

1. Press **VOL+**, **CH+** and number button **[3]** at the same time to display the main menu.
2. Press **VOL+/-** to select **Picture** menu, press **CH-** to access the menu.
3. Within the menu, press **CH+/-**, **VOL-** to navigate through the options or adjust an option. If the selected item has submenu, press **VOL+** to access.
4. Press **VOL+**, **CH+** and number button **[3]** at the same time to return to previous menu.



Option	Description
--------	-------------

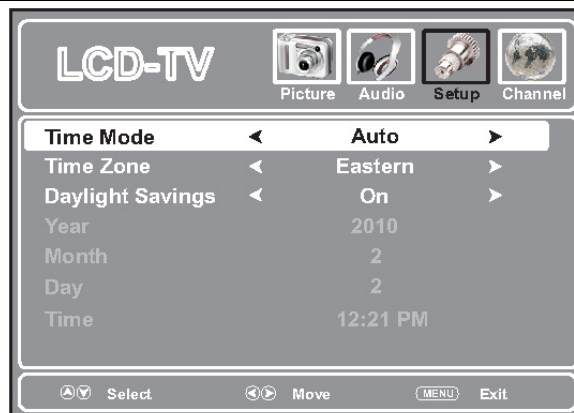
Menu Language	Select on-screen menus language
----------------------	---------------------------------

Time	Making use of Time sub-menu to set the current time for the set.
-------------	--

Time Mode:
 When selecting **Auto**, the **Year**, **Month**, **Day** and **Time** information will be displayed automatically.
 When selecting **Manual**, you can set time manually. The **Time Zone** and **Daylight Savings** items are not selectable.

Time Zone: Select your viewing area time zone.

Daylight Savings: Select **On** to observe daylight saving time.



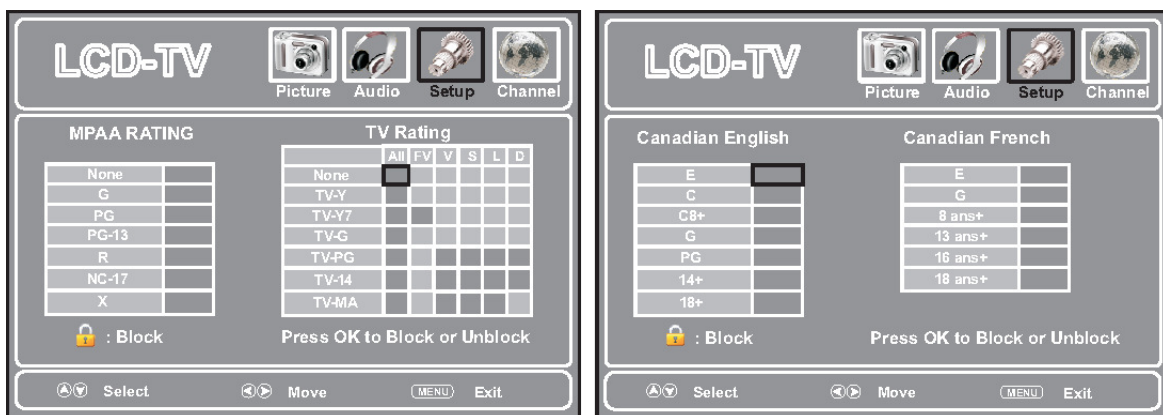
Adjusting Setup Menu Options (Continued)

Option	Description
Transparency	Select a desired menu transparency.
Password Setting	Used to set a new system password or to change an existing 4-digit system password. (default password is 0000). If you forget the password the unit provides a super password " 2580 ". Please DO NOT let your children know the super password.
Parental Control (Only for TV Mode)	Parental Control enables parents to prevent their children from watching inappropriate material on TV. Please input the password to enter the Parental Control sub-menu.

Block Unrated TV: Blocks TV programs that do not have a rating.



USA Parental Locks / Canadian Parental Locks: You can set parental controls for the U.S. and Canada. The following procedure shows how to set controls for U.S. TV ratings. You use similar steps for controlling U.S. movie and Canadian TV ratings.



Adjusting Setup Menu Options (Continued)

Option *Description*

Parental Control (Continued)

U.S. movie (MPAA) ratings	
None	Movie is not rated.
G	General audiences.
PG	Parental guidance suggested.
PG-13	Suitable for children 13 and older.
R	Parental guidance is suggested for children under 17.
NC-17	No suitable for children under 17.
X	Adult only.

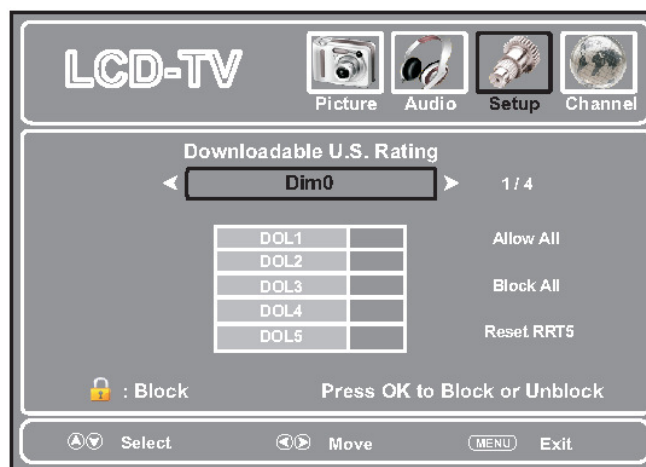
U.S. TV ratings (age-based)	
None	TV is not rated.
TV-Y	All children
TV-Y7	Suitable to children age 7 and older.
TV-G	General audience.
TV-PG	Parental guidance suggested
TV-14	Parents guidance strongly suggested.
TV-MA	Mature audience only.

Canadian English ratings	
E	Exempt programming
C	Suitable for all children.
C8+	Suitable for children 8 years and older.
G	General audiences.
PG	Parental guidance suggested.
14+	Suitable for children 14 and older
18+	Adults only.

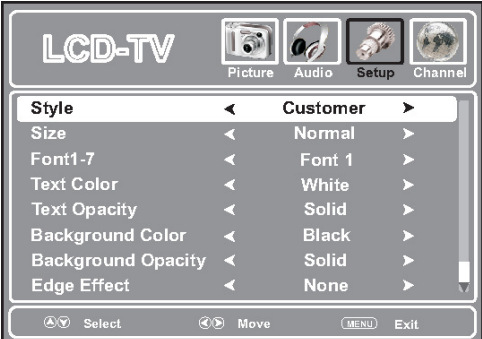
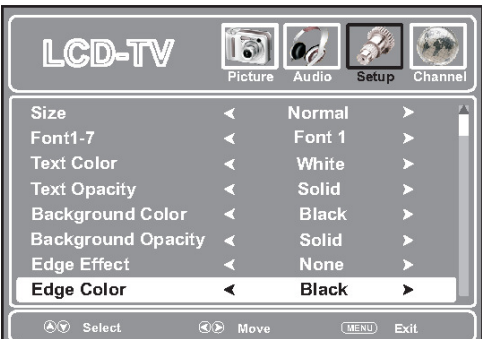
Canadian French ratings	
E	Exempt programming.
G	General audiences.
8 ans+	Suitable for children 8 years and older.
13 ans+	Suitable for children 13 years and older.
16 ans+	Suitable for children 16 years and older.
18 ans+	Adults only.

RRT5 Setting: You can download rating information to use when setting parent controls.

Note: The actual menu options of this rating vary.



Adjusting Setup Menu Options (Continued)

Option	Description
Closed Caption	<p>Allows you to select feature On or Off</p> <p>On: Turns on the Closed Caption.</p> <p>Off: Turns off the Closed Caption.</p>
Analog Caption	<p>Allows you to select closed caption options.</p> <hr/> <p>CC1, CC2, CC3, CC4: Displays a printed version of the dialog or sound effects of a program. (Should be set to CC1 for most programs.)</p> <hr/> <p>TX1/TX2/TX3/TX4: Displays network/station information presented using either half or the whole screen (if available).</p>
Digital Captions (Only for digital programs)	<p>Allows you to select advanced digital closed caption options. Select from the available options (Service1–Service 6).</p>
Digital Captions Setup (Only for digital programs)	<p>You can customize the digital closed captions that appear on your screen by doing the following steps: Highlight Digital Captions Setup item, press VOL+ button to access its sub-menu. Set Style to Customer and now you can customize the Size, Font 1-7, etc. to your preference. To restore to default settings, just set Style to Automatic.</p>
Style: Select a style for the words.	 <p>The screenshot shows the 'LCD-TV' menu with 'Setup' selected. The 'Style' option is highlighted and set to 'Customer'. Other options include Size (Normal), Font1-7 (Font 1), Text Color (White), Text Opacity (Solid), Background Color (Black), Background Opacity (Solid), and Edge Effect (None). Navigation buttons (Select, Move, MENU, Exit) are visible at the bottom.</p>
Size: Select the font size.	
Font 1-7: Select the font style.	
Text Color: Select the color for the words.	
Text Opacity: Select the opacity level for the words.	
Background Color: Select the color for the background.	
Background Opacity: Select the opacity level for the background.	
Edge Effect: Select the edge style.	 <p>The screenshot shows the 'LCD-TV' menu with 'Setup' selected. The 'Edge Color' option is highlighted and set to 'Black'. Other options include Size (Normal), Font1-7 (Font 1), Text Color (White), Text Opacity (Solid), Background Color (Black), Background Opacity (Solid), and Edge Effect (None). Navigation buttons (Select, Move, MENU, Exit) are visible at the bottom.</p>
Edge Color: Select the edge color.	
Audio Only	<p>Select On to turn off the picture on your TV and listen to only the program audio.</p>
Reset to Default	<p>Running this function will reset most settings of current source to Setup's default settings.</p>

Note: The **Analog Captions**, **Digital Captions** and **Digital Captions Setup** items can be set only after the **Closed Caption** item has been set to **On**.

Adjusting Channel Menu Options

Accessing the Channel Settings

1. Press **VOL+**, **CH+** and number button [**3**] at the same time to display the main menu.
2. Press **VOL+/-** to select **Picture** menu, press **CH-** to access the menu.
3. Within the menu, press **CH+/-**, **VOL-** to navigate through a the options or adjust an option. If the selected item has submenu, press **VOL+** to access.
4. Press **VOL+**, **CH+** and number button [**3**] at the same time to return to previous menu.



Option	Description
Antenna	Before running auto scan, you must specify the type of signal source that is connected to the unit. (i.e., an antenna or cable system). Select Air if using VHF/UHF antenna, select Cable if using Cable TV.

Signal Strength (Only for digital programs)	You can check the DTV signal strength to determine if you need to adjust your antenna or digital cable input. The higher the signal strength, the less likely you are to experience picture degradation.
---	--

Auto Scan	Select to automatically search for all channels available and store them in memory.
------------------	---

1. In **Channel menu**, select **Auto Scan** item, press **VOL+** to start auto scan.
2. During auto channel search, your unit searches for digital channels first. When the digital channel search is complete, a confirmation box appears asking if you want to scan analog channels. Press **OK** or wait for some seconds to continue searching for analog channels. (Press **VOL+** to select **Cancel**, and press **OK** to stop searching for channels.)



Adjusting Channel Menu Options (Continued)

Option	Description
--------	-------------

Add On CH Search

Select to manually search for channels that can not be memorized.

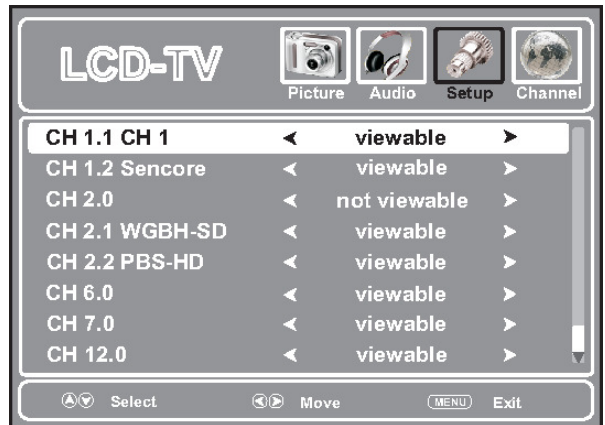
1. In **Channel** menu, select **Add On CH Search** item, press **VOL+** to access.
2. During Add On CH search, your unit searches for digital channels first. When the digital channel search is complete, a confirmation box appears asking if you want to scan analog channels. Press **OK** or wait for some seconds to continue searching for analog channels. (Press **VOL+** to select **Cancel**, and press **OK** to stop searching for channels.)



Channel Editor

Lets you delete channels from the channel list so your unit skips the channels when you press **CH+/-** button. You can still tune to the channel using the number buttons.

1. In **Channel** menu, select **Channel Editor** item, press **VOL+** to access.
2. Press **CH+/-** to select the channel you want to edit. Press **VOL+/-** to select viewable to show the channel and select not viewable to hide the channel.



Channel Labels

If a channel is not already labeled, you can label the channel to make it easier to identify. Also you can rename the channel already labeled.

1. In **Channel** menu, select **Channel Labels** item, then press **VOL+** to open the channel labels screen.
2. Press **VOL+/-** to select the channel number you want to label.
3. Press **CH-** to move to the channel label field, then press **OK** to access. Press **CH+/-** to select a character, then press **VOL+/-** to move to the next/previous character. Repeat this step to add more characters.
4. After finishing inputting, press **OK** to confirm. And the cursor will move to **Save**.
5. Press **OK** to save the setting or press **CH-** to select **Preset** and press **OK** to reset most setting of current source to **Channel Labels** default settings.




SETTING UP YOUR PERSONAL VIEWING SCREEN (PAL)


Basic Operations

Turning On / Off the Power


Turning On

Press the  button on the control module, the unit will be turned on and you will be ready to use its features.

Turning Off

With the power on, press the  button on the control module to turn off the unit.

Note:


- When selecting AV mode, the  button can not work. If you want to turn off the unit, please select DTV/ATV mode first.

Selecting the Input Signal Source

Press the **INPUT** to select desired input source. Options include:


- **ATV** - Watch analog TV.
- **DTV** - Watch digital TV.
- **iPod** - Listen to your iPod or watch a movie or other video from your iPod on the PVS screen.
- **USB** - Listen to music from your USB device.

Notes:

- In DTV / ATV mode, when there is no signal input for 30 seconds, the unit will turn off the back light automatically. Once you press any button (except  button) on the control module or the unit receives a signal input, the unit will display normally.
- In AV mode, when there is no signal input for 30 seconds or the unit only plays audio, the unit will turn off the back light automatically, once the unit receives a signal input or you press **CH+/-** or **INPUT** button on the control module, the unit will display normally.
- When there is no operation within 15 seconds, the on-screen menu will disappear from the screen automatically.

Channel Selection

You can use the following ways to change channels:

- Press **CH+** or **CH-** to go to the next or previous channel. The skipped channels can't be selected.
- Press the number buttons (**0 - 9**) to directly select any channel you want then press **OK**.
- To go to the previous channel viewed, press the  button.

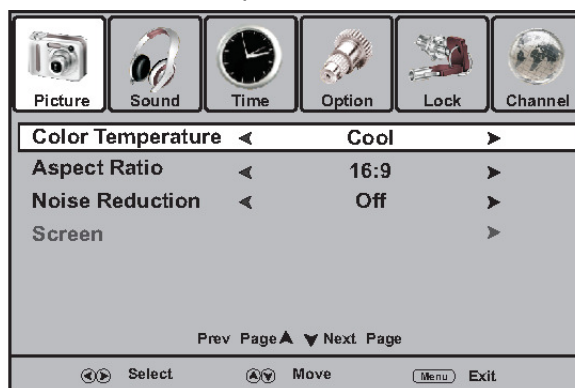
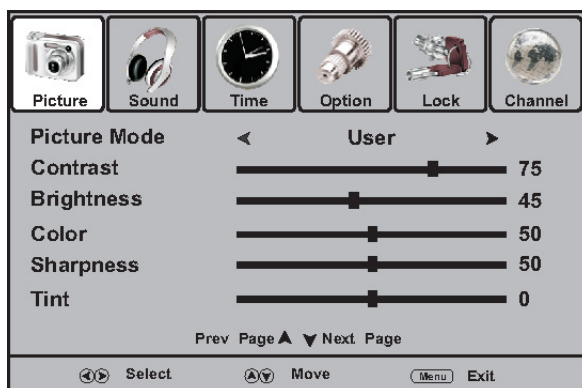
Note:

- TV is capable of receiving both radio and TV broadcasts. And for TV reception, your new unit is capable of receiving both traditional analog channels and digital channels.
- By using 0 – 9 number buttons, you can not select analog channels in DTV mode, or digital channels in ATV mode.
- If you input one digit or two-digit channel number, you can press **OK** to go directly to the channel without waiting.

Adjusting Picture Menu Options

Customizing the Picture

1. Press **VOL+**, **CH+** and number button **[3]** at the same time and the main menu screen displays.
2. Press **VOL+/-** to select **Picture** menu, press **CH-** to access the menu.
3. Within the menu, press **CH+/-** to scroll through the page upward or downward, and press **CH+/-**, **VOL+/-** to navigate through the options or adjust an option.
4. Press **VOL+**, **CH+** and number button **[3]** at the same time to return to previous menu.



Option	Description
Picture Mode	Select a desired picture mode. You can select from Standard , Dynamic , Mild and User . Standard: Select for a standard picture. Dynamic: Select for a bright and vivid picture. Mild: Select for a finely detailed picture. User: Select for user customized picture.
Contrast	Adjusts image contrast.
Brightness	Adjusts screen brightness for easier viewing of dark picture such as night scenes and black hair.
Color	Adjusts color saturation.
Sharpness	Adjusts image sharpness and displays a sharp image.
Tint (NTSC only)	Adjusts tint for image.
Color Temperature	Select one of three automatic color adjustments. Set to Normal for normal colors, set to Warm to enhance hotter colors such as red, or set to Cool to see less intense colors with more blue. You can select from Warm , Cool and Normal .
Aspect Ratio	You can select the aspect ratio (display proportions) according to your video signal type or personal preference. You can select from 16:9 , Zoom1 , Zoom2 , Auto and 4:3 . 16:9: Displays a 16:9 picture. <i>(To protect screen do not display images in 16:9 for extended periods of time)</i> Zoom1: Enlarges the picture, four portions may be cropped. Zoom2: Enlarges the picture, the top and bottom may be cropped Auto: Displays picture automatically in original ratio 4:3.
Noise Reduction	Select from Low/Middle/High to reduce noise in the picture, commonly called snow. Select Off to turn off this function.

Adjusting Sound Menu Options

Adjusting the Volume

Using the volume buttons (VOL+ and VOL-)

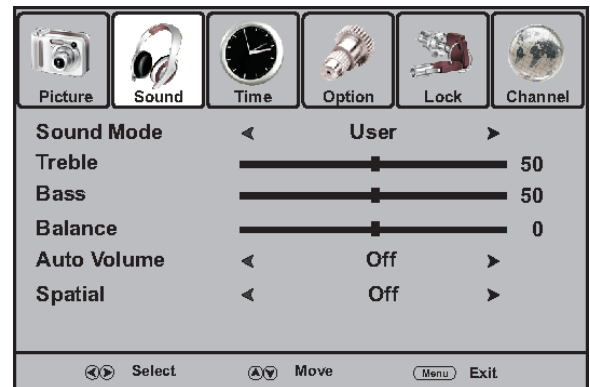
Press the **VOL +** or **VOL-** to increase or decrease the volume.

Note:

Once the unit switches to other input sources or loses the power, the unit will clear your customized volume setting and restore to default value(20).

Adjusting Sound Mode

1. Press **VOL+**, **CH+** and number button **[3]** at the same time and the main menu screen displays.
2. Press **VOL+/-** to select **Sound** menu, press **CH-** to access the menu.
3. Within the menu, press **CH+/-** to navigate through options, press **VOL+/-** to adjust an option.
4. Press **VOL+**, **CH+** and number button **[3]** at the same time to return to previous menu.



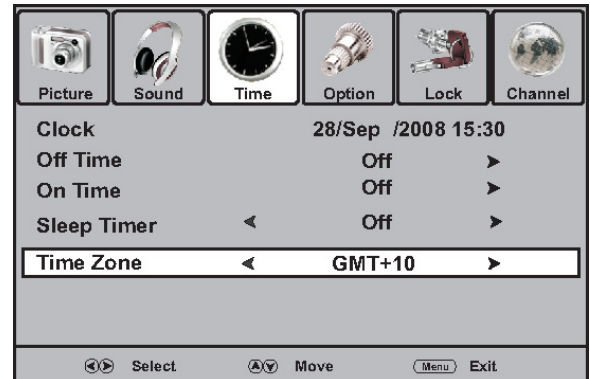
Option	Description
Sound Mode	Select a desired picture mode. You can select from Standard , Music , Movie , Sports and User . Standard: Select for normal program. Music: Select for a music program. Movie: Select for a movie program. Sports: Select for a sports program. User: The sound quality you set.
Treble	Adjusts Treble (high sounds).
Bass	Adjusts Bass (low sounds)
Balance	Adjusts volume balance (left and right volumes).
Auto Volume	Select On to equalize overall volume levels across all channels. Select Off to turn off the auto volume control.
Spatial	Select On to turn on the surround sound effect. The benefits of surround sound are enormous. You can be completely enveloped in sound, just as if you were at a concert hall or cinema. Select Off to turn off surround sound.

Adjusting Time Menu Options

Time Zone Selection

To obtain local time, you should first set the local time zone. Obtaining local time depends on whether your local station has broadcast time zone information.

1. Press **VOL+**, **CH+** and number button **[3]** at the same time and the maintenance screen displays.
2. Press **VOL+/-** to select **Time** menu, press **CH-** to access.
3. Press **CH+/-** to select **Time Zone** item, and then press **VOL+/-** to select the appropriate one.



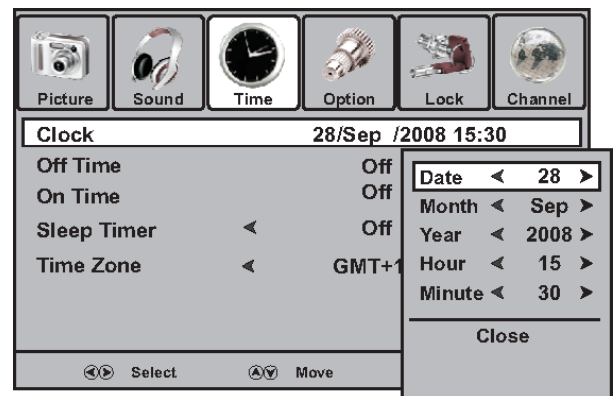
Current Time Setup

Make use of this function to set the current time for the unit.

1. Navigate to the **Time** menu, press **CH-** to access.
2. Press **CH+/-** to select **Clock** item, Press **VOL+** or **OK** to access the submenu.
3. Within the menu, use **CH+/-** to highlight the **Date**, **Month**, **Year**, **Hour** or **Minute** item, and use **VOL+/-** to adjust the values. When finished, use **CH+/-** to select **Close** and press **OK** to confirm the setting.

Note:

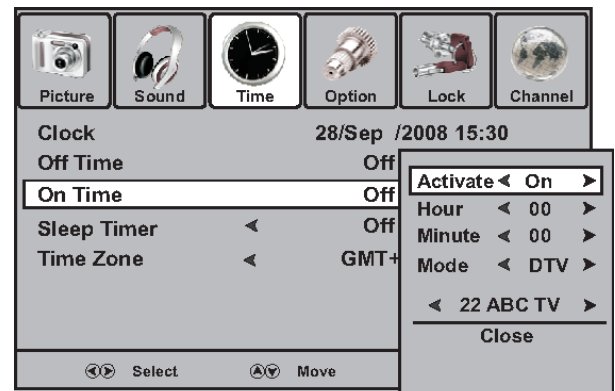
- Before setting Off timer and On timer, please set the Clock for the unit.
- Once the unit switch to DTV channel and success to get the current time from DTV channel, the Clock item will be displayed automatically, and cannot be adjusted.



On Timer Setup

With the **On Timer** function **On**, the TV will automatically turn on at the preset time.

1. Navigate to the **Time** menu, press **CH-** to access.
2. Press **CH+/-** to select **On Time** item, Press **VOL+** or **OK** to access the submenu.
3. Now the **Activate** item will be highlighted automatically, press **VOL+/-** to select **On**. (If you want to cancel setting, please choose **Off**).
4. Press **CH+/-** to select **Hour** or **Minute** item, and press **VOL+/-** to adjust the value.
5. After setting On Timer, you can press **CH+/-**, **VOL+/-** to navigate through the following two options and adjust the options:



Adjusting Time Menu Options (Continued)

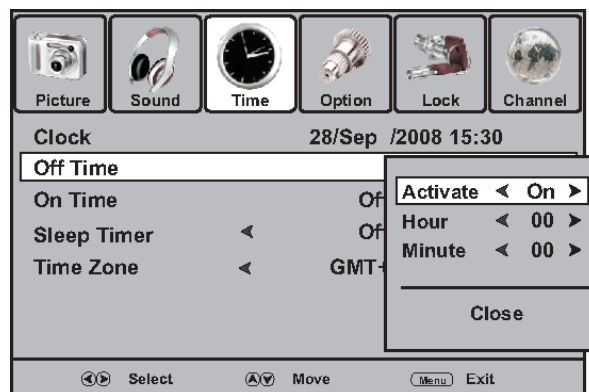
Option	Description
Mode	Select one source to be viewed through On timer.
Program Number	Select a broadcasting program for On timer.

- When finished, use **CH+/-** to select **Close** item and press **OK** to confirm the setting
- Press **⏻** to switch the unit to standby mode. At the preset time, the unit will auto turn on and broadcast the preset program.

Off Timer Setup

With the **Off Timer** function **On**, the unit will automatically turn off at the preset time.

- Navigate to the **Time** menu, press **CH-** to access.
- Press **CH+/-** to select **Off Time** item, press **VOL+** or **OK** to access the submenu.
- Now the **Activate** item will be highlighted automatically, press **VOL+/-** to select **On**. (If you want to cancel setting, please choose **Off**).
- Press **CH+/-** to select **Hour** or **Minute** item, and press **VOL+/-** to adjust the value.
- When finished, use **CH+/-** to select **Close** and press **OK** to confirm the setting.



Note:

Once the On Timer or Off Timer functions have been enabled, the unit will perform it everyday at the preset time.

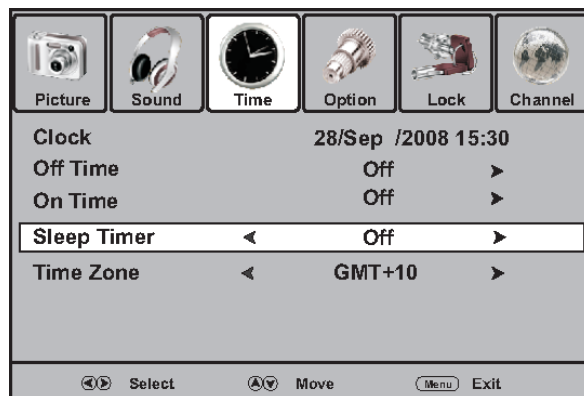
Sleep Timer Setup

Sleep timer lets you select the amount of time before your unit turns itself off automatically. This setting is cleared when the unit is turned off.

- Navigate to the **Time** menu, press **CH-** to access.
- Press **CH+/-** to select **Sleep Time** item.
- Press **VOL+/-** to select the amount of the time; to turn off the timer, please select **Off**.

Note:

After you have set sleep timer, when the last 30 seconds have come up, the Power Off screen will appear to remind you after how many seconds the unit will power off. You can press any button to quit.

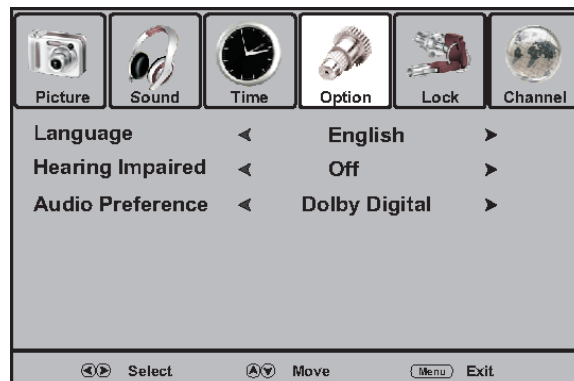


Adjusting System Options Menu

System Setup

You may change system settings such as **Language**, **Hearing impaired**, **Audio Preference** etc. by making use of the **Option** menu.

1. Press **VOL+**, **CH+** and number button **[3]** at the same time and the main menu screen displays.
2. Press **VOL+/-** to select **Option** menu, press **CH-** to access the menu.
3. Within the menu, press **CH +/-** to navigate through options, press **VOL+/-** to adjust an option.
4. Press **VOL+**, **CH+** and number button **[3]** at the same time to return to previous menu.



<i>Option</i>	<i>Description</i>
Language	Select on-screen menus language.
Hearing Impaired (Digital programs only)	Press VOL+/- to select On to display the subtitles (if available) for the hearing impaired. Select Off to turn off the function
Audio Preference (Digital programs only)	Select the audio track to output. You can select MPEG or Dolby Digital . MPEG: If the program has MPEG and Dolby Digital tracks, select MPEG to output MPEG track in preference. Dolby Digital: If the program has MPEG and Dolby Digital tracks, select Dolby Digital to output Dolby Digital track in preference.

Adjusting Lock Menu Options

Password Setup

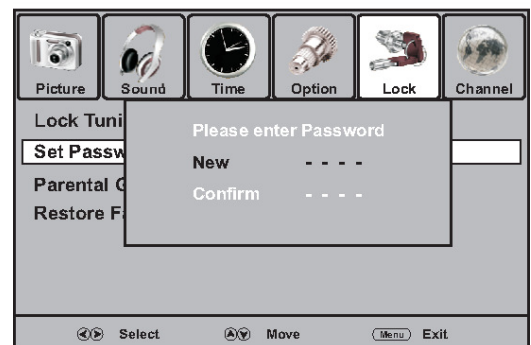
The set **Password** sub-menu is used to set a new system password or to change an existing system password. By default, the system password is **0000** and you may change it. To access Parental Guidance, etc., the system password is required.

To create a new password:

1. Press **VOL+**, **CH+** and number button **[3]** at the same time and the main menu screen displays.
Press **VOL+/-** to select **Lock** menu, press **CH-** to access the menu.
2. Now a password is required to input. Use number buttons to input correct password (the default password is **0000**).
3. Press **CH+/-** to select **Set Password** item, and then press **VOL+** or **OK** button to access its submenu.
4. Use the number buttons to input a new password (4- digit).
5. Input the new password again.
The New password has been created successfully.

Note:

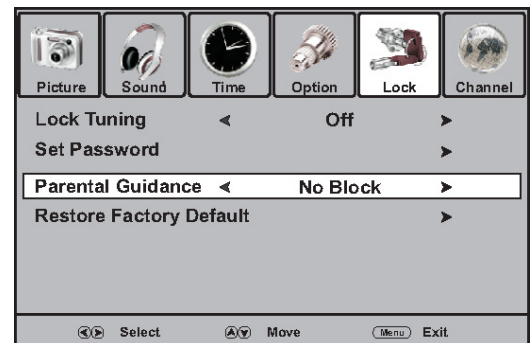
Be sure to write down your password and retain it for future use. If you do forget the password, the unit provides a super password "**2580**".
Please **DO NOT** let your children know the super password.



Parental Guidance Setup (DTV only)

Parental Guidance blocks programs according to their classification so that children can not view certain programs.

1. Navigate to the **Lock** menu and input the correct password to access.
2. Press **CH+/-** to highlight the **Parental Guidance** item.
3. Use **VOL+/-** to select your desired rating.
(Different countries have different ratings, the right illustration is for explanation purpose).
Use the "Block All" setting to completely block all viewing. The menu can still be accessed to unblock all programs.
4. Press **VOL+**, **CH+** and number button **[3]** at the same time to return to previous menu.



G (General Audiences): Content not offensive to most viewers.	<input type="checkbox"/> Block All
PG (Parental Guidance Suggested): Content is such that parents may not want their children to view the program.	<input type="checkbox"/> Block G and above
M (Mature Audience): Suitable for mature audience.	<input type="checkbox"/> Block PG and above
MA (Mature Adult Audience): May contain mature themes, profane language, graphic violence, and sexual situations.	<input type="checkbox"/> Block M and above
AV (Adult Audience): Strong violence.	<input type="checkbox"/> Block MA and above
R (Restricted viewing): Not for children under age 17. Strong elements of sex and/or violence.	<input type="checkbox"/> Block AV and above
	<input type="checkbox"/> Block R and above
	<input type="checkbox"/> No Block

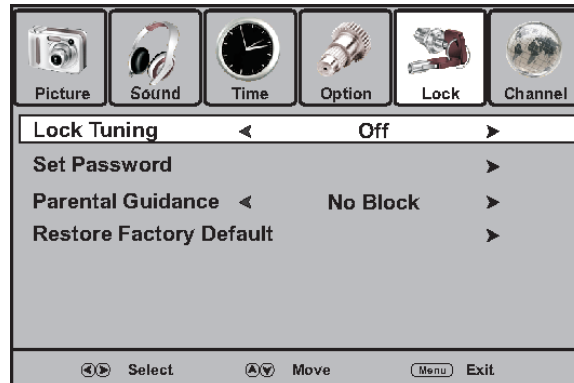
(The rating in Australia)

Adjusting Lock Menu Options (Continued)

Lock Tuning Setup

By making use of **Lock Tuning** you can protect some TV settings from being accidentally changed.

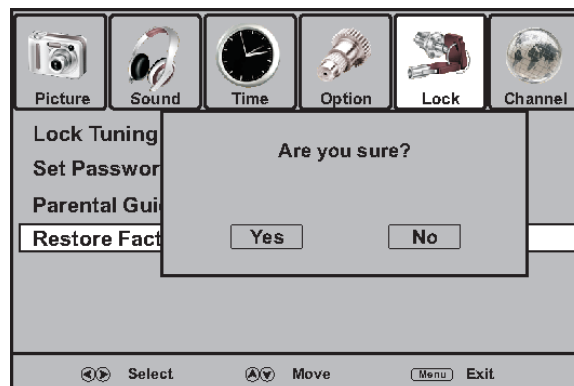
1. Navigate to the **Lock** menu and input the correct password to access.
2. Now the **Lock Tuning** item will be highlighted automatically.
3. Use **VOL+/-** to turn on or turn off the **Lock Tuning**. Once you turn on **Lock Tuning**, all items in Channel Menu can not be accessed by the user without the correct password. To cancel, use password to enter into Lock Menu and set **Lock Tuning** item to **OFF**.



Restoring Factory Default

Run this function to reset all settings to its original factory condition.

1. Navigate to the **Lock** menu and input the correct password to access.
2. Press **CH+/-** to select the **Restore Factory Default** item, press **VOL+** or **OK** to activate the function.
3. Now the screen will display a dialog box for you to confirm your operation. Use **VOL+/-** to toggle between **Yes** or **No** item, and press **OK** to confirm your operation.



Note:

This function will clear most of your customized settings. So make sure you do want to reset all settings to its original factory condition before you perform this operation.

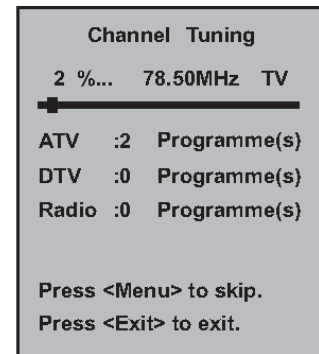
Adjusting Channel Menu Options

When you turn on the unit for the first time, you should perform an auto channel search to set up stations on your unit.

Auto Channel Search

You should perform an auto channel search to search for all channels available and stores them in memory, before you start Auto Tuning, it is necessary to select a country firstly.

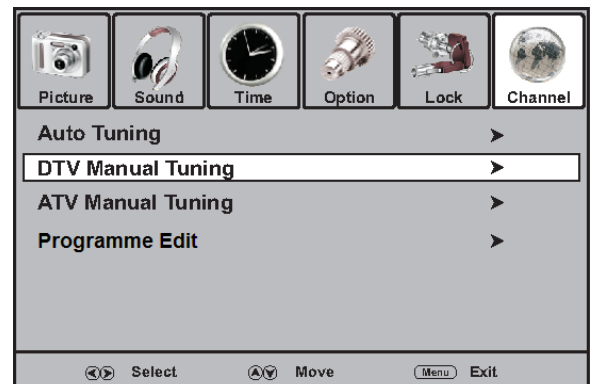
1. Press **VOL+**, **CH+** and the number **[3]** at the same time, the main menu screen should be displayed.
2. Press **VOL+/-** to select **Channel** menu, press **CH-** to access the menu.
3. Highlight **Auto Tuning** item, and press **VOL+** or **OK** to access.
4. Now a confirmation box appears on the screen. Press **VOL+/-** to select a country firstly, press **CH-** or **OK** to highlight **Start** item, and then press **OK** to begin the auto channel search. (If you want to cancel, press **VOL+/-** to select **Cancel** item, and use.
5. Then the TV begins memorizing all ATV/DTV channels available in your area. During the process, you can press **VOL+**, **CH+** and number button **[3]** at the same time to skip the search.



Manual Searching for DTV programs

If desired digital programs cannot be searched by Auto Tuning, you can make use of **DTV Manual Tuning** to search programs manually.

1. In **Channel** menu, press **CH+/-** to select **DTV Manual Tuning** item, then press **VOL+** or **OK** to access.
2. Highlight **VHF CH** (or **UHF CH**) item, press **VOL+/-** button to select your desired channel number.
3. Press **OK** to begin the manual DTV channel search. At the bottom of the menu screen the **DTV Signal** strength bar is displayed. You can make use of it to check how strong your DTV signal is and whether you need to adjust your antenna or digital cable input. The higher the signal strength is, the less likely you are to experience picture degradation.
4. Then all the digital programs available in this channel will be searched and stored. During the process, you can press **VOL+**, **CH+** and number button **[3]** at the same time to exit the search.



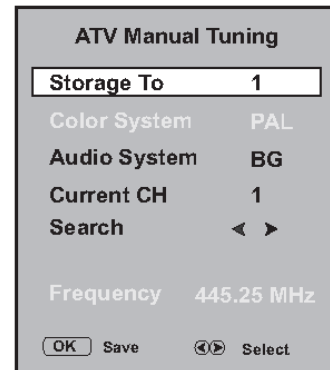
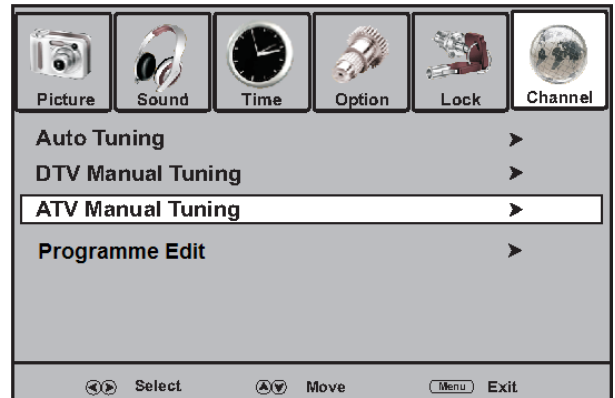
Adjusting Channel Menu Options (Continued)

Manual Searching for ATV programs

If desired analog programs cannot be searched by Auto Tuning, you can make use of **ATV Manual Tuning** to search programs manually.

1. In **Channel menu**, press **CH+/-** to select **ATV Manual Tuning** item, then press **VOL+** or **OK** to access.
2. Highlight **Storage To** item, press **VOL+/-** button to select a channel position in which you want to store.
3. Use **CH+/-** to select Search item, press **VOL+/-** to begin the manual ATV channel search.
Press **VOL+**, unit searches towards higher frequencies.
Press **VOL-**, unit searches towards lower frequencies.
4. The search stops when a program is found and this program will be stored in current channel, then press **OK** button to save.

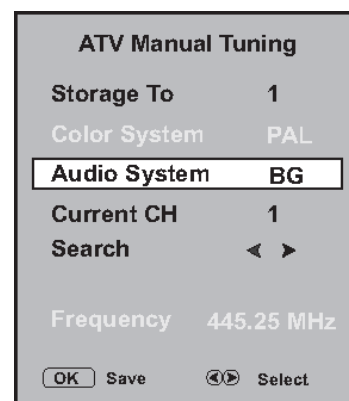
If you don't press OK button to save, the found program can't be saved automatically and the unit will switch back to the previously tuned channel after about 15 seconds.



Setting Audio System

Normally it is unnecessary to set audio system. However, if abnormal sound occurs, you may try to adjust the audio system.

1. Navigate to **ATV Manual Tuning** submenu, press **CH+/-** to highlight the **Audio System** item.
2. Press **VOL+/-** to select the proper audio system. Press **OK** button to save.
3. Press **VOL+**, **CH+** and number button **[3]** at the same time to return to previous menu.

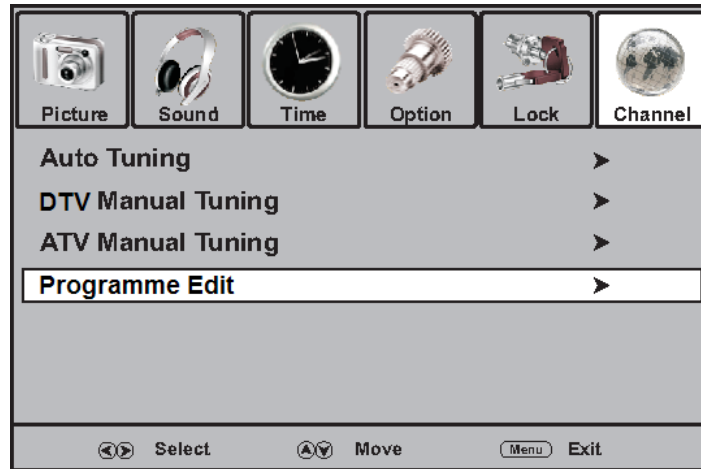


Adjusting Channel Menu Options (Continued)

Programme Edit

If desired, you can use the **Programme Edit** feature to delete, name, move or skip a channel.

In **Channel menu**, press **CH+/-** to select **Programme Edit** submenu.



Once in the **Programme Edit** submenu, press **VOL+** or **OK** to access. Next, press **CH+/-** to select item. Once the item is selected the following options are available:

1. **DEL:**

- Press **1** to "mark" selected item for deletion.
- Press **1** again to delete the "marked" item.
- If an entry was marked for deletion by accident, let the menu time out without pressing **1**.

2. **NAME:**

- Press **2** to rename selected item.
- Use **CH+/-** to select letter of symbol.
- Use **VOL+/-** to advance to next or previous character.
- Press **2** again to save changes and to allow for additional items to be selected.

3. **MOVE:**

- Press **3** to select item to move.
- Use **CH+/-** to move item up or down.
- Press **3** to leave selected item in its current position and to allow for additional item to be selected.

4. **SKIP:**

- Press **4** to set the selected item to be skipped.
- Pressing **4** again on an item that is already set to be skipped, will set the item to be available again.

Note:

If you are unable to perform this function, please refer to the FAQ and Troubleshooting section of this manual.

FAQ'S AND TROUBLESHOOTING

Your Star Trac Personal Viewing Screen is designed with little maintenance in mind and rarely should you experience a problem once it is installed. However, you may find the cleaning and troubleshooting information in this section useful.

We will also explain how to replace the headphone jack when it no longer provides good audio quality.

Cleaning the Personal Viewing Screen

- Periodically dust the Personal Viewing Screen with a clean soft cloth.
- Each week or as needed, clean the unit with a mild soap and water solution. Lightly dampen a clean cloth with the solution and wipe the unit. Do not use too much solution on the cloth or spray cleaning solution onto the unit. Doing this could cause moisture to enter the controller and cause damage.
- Use eyeglass cleaner to remove stubborn dirt from the screen.

Cautions:

DO NOT use liquid cleaners or aerosol cleaners to clean the screen. **DO NOT** use any solvents such as alcohol, paint thinner, or any acidic cleaners to clean the screen. This will void the warranty.

Troubleshooting

The following information may help you understand and troubleshoot any problems the you may encounter with your Star Trac Personal Viewing Screen. If the suggestions in this table do not help solve the problem that you encounter please contact Star Trac's Service Hotline at (800) 503-1221, or USA 1-714-669-1660.

<i>Problem</i>	<i>Possible Solution</i>
No Power	<ul style="list-style-type: none">• Make sure all power cables are connected and secure.• Check the power supply at the base of the unit and see if the green LED is lit.• Press the power button on the center console.
No Picture	<ul style="list-style-type: none">• Make sure the PVS has power.• Make sure the correct input is selected (by pressing the Input button).• Make sure your signal source is properly connected.• Try changing channels, it may be a station problem.• Turn off the PVS, and then back on after one minute.
No Audio	<ul style="list-style-type: none">• Increase the audio level with the VOL+ button.• Make sure the headphone jack is secure.• Replace headphone jack if necessary.
Poor Picture	<ul style="list-style-type: none">• Check the input signal cable, make sure it is in good shape and is connected snug to the RF input.• Adjust the Brightness, Sharpness, and Contrast in the Picture Setup of the PVS.
Bars or Snow on the screen	<ul style="list-style-type: none">• Check the input signal cable, make sure it is in good shape and is connected snug to the RF input.• Try a new channel; it may be the station is having difficulties.• Check for local interference.

Troubleshooting (Continued)

<i>Problem</i>	<i>Possible Solution</i>
Poor TV reception	<ul style="list-style-type: none">• Check the input signal cable, make sure it is in good shape and is connected snug to the RF input.• Try a new channel; it may be the station is having difficulties.• Check for local interference.• Try adjusting the Sharpness in the PVS video setup.
Ghost in the picture	<ul style="list-style-type: none">• Check the input signal cable, make sure it is in good shape and is connected snug to the RF input.• Try a new channel; it may be the station is having difficulties.• Check for local interference.
Missing TV Channels	<ul style="list-style-type: none">• Check the Channel setup of the PVS. The specific channel may not be programmed. If necessary, rerun the Auto Scan feature in Channel Setup.• These channels may be blocked, please unblock them (see Setting Parental Controls section).• These channels may be set hidden. You may set it to show or select them with 0-9 number buttons (See channel Editor section).
Lost Password	<ul style="list-style-type: none">• You may use the super password (2580) to access the Parental Controls menu and set a new password.
Center console keypad seems unresponsive	<ul style="list-style-type: none">• Check to see that the ribbon cables are connected firmly and properly (ribbon may be reversed).• Check center console PC board LED (will be green or red), if there is no light on the center console, it is not receiving any power.• Unplug power supply from base of equipment, then plug it back
“No Signal” displayed on screen.	<ul style="list-style-type: none">• See “NO PICTURE”, You may have to rerun the setup routine for the display.• Check that all input values are correct for you service provider.• Press the Input button to change from AV input to RF input.
Programme Edit function not available (PAL system only)	<p>If the Programme Edit feature becomes unavailable, follow these steps to restore function:</p> <ul style="list-style-type: none">• Press VOL-, CH- and number [3] at the same time to enter TV configuration mode, (TV icon LED starts blinking).• Press VOL-, CH- and number [4] to enable Programme Edit feature, (new configuration saved to memory).• Press VOL-, CH- and number [6] at the same time to exit TV configuration mode, (TV icon LED stops blinking). <p>Note: After 30 seconds from last key press, the system will automatically exit TV configuration mode.</p>

Note: If your problem is not solved, turn your unit off and then on again.

Caution: Never attempt to repair a defective TV yourself.

For technical assistance call Star Trac Customer Service: 1 800 503 1221

Headphone Jack Replacement.

When you are experiencing poor audio output from your PVS, you should check the entertainment headphone jack to see if it needs replacement. The headphone jack was designed for an easy and quick replacement.

Before you begin, make sure you have the proper replacement part available.

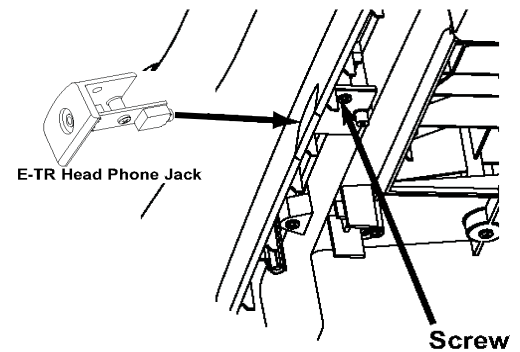
For the E-TR, use part number 715-3668.

For the E-TRx, use part number 715-3722.

For the E-TBTi, E-STi, E-RBi, and E-UBi use part number 718-5098.

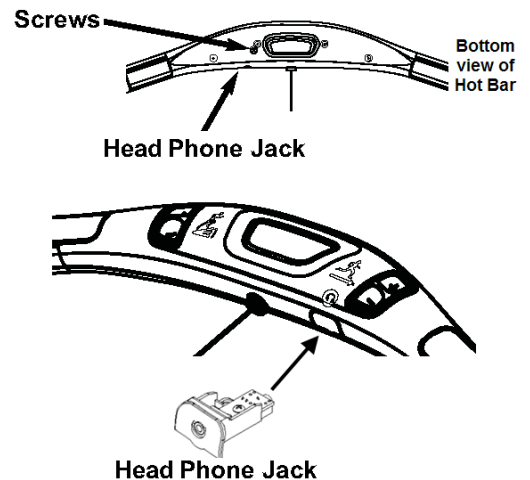
For the E-TR Model:

1. Use a #2 Phillips screwdriver to remove the screw that holds in the headphone jack at the lower front of the display.
2. Gently pull the headphone jack out of the display. Be careful, the headphone is connected to a cable.
3. Disconnect the cable.
4. Connect the new headphone jack to the cable in the jack opening.
5. Slide new headphone jack into the display plastic front.
6. Using the screwdriver, re-install the screw.



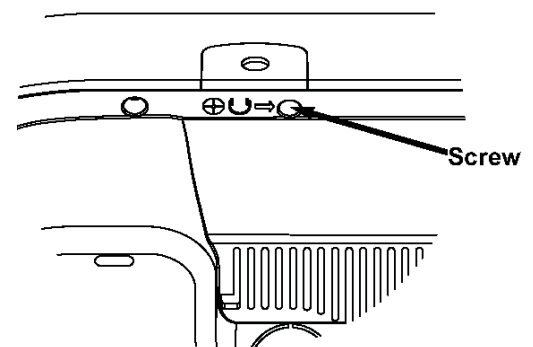
For the E-TRx Model:

1. Use a #2 Phillips screwdriver to remove the screw that holds the headphone jack at the lower front of the hot bar.
2. Gently pull the Headphone jack out of the hot bar.
3. Slide new Headphone jack into the headphone opening.
4. Using the screwdriver, re-install the screw.



For the E-TBTi, E-STi, E-RBi, and E-UBi Models:

1. Use a #2 Phillips screwdriver to remove the screw that holds in the Head Phone Jack at the lower front of the display.
2. Gently pull the Headphone jack out of the display. Be careful, the headphone is connected to a cable.
3. Disconnect the cable.
4. Connect the new headphone jack to the cable in the jack opening.
5. Slide new headphone jack into the display plastic front.
6. Using the screwdriver, re-install the screw.



This completes the Headphone replacement.

REGULATORY INFORMATION

Radio Frequency Interference (RFI)

Federal Communications Commission, Part 15

Warning:

To prevent fire or electrical shock, do not expose this equipment to rain, moisture or excessive heat.

The unit has been tested and found to comply with the limits for Part 15 of the FCC Rules. These limits are designed to provide reasonable protection against harmful interference when the equipment is operated in a commercial environment.

The Personal Viewing Screen generates, uses, and can radiate radio frequency energy and, if not installed and used in accordance with the assembly, installation and maintenance instruction manuals, may cause harmful interference by one or more of the following measures:

- Reorient or relocate the receiving antenna.
- Increase the separation between the equipment and the receiver.
- Connect the equipment into a separate outlet that uses a different circuit than the receiver.

Consult a Star Trac Service Representative or an experienced radio/TV technician for help.

Warning:

Per FCC rules, changes or modifications not expressly approved by Star Trac could void the user's authority to Operate the equipment.



expect different[®].

STAR TRAC

14410 Myford Road

Irvine, California 92606

Telephone: (800) 228-6635, (714) 669-1660

Fax: (714) 508-3303

<http://www.startrac.com>