



Spirit™ SD Multimedia Player/Recorder



1886 User Manual



Model 1886 Multimedia Player/Recorder

Thank you for purchasing the Califone® Model 1886 Multimedia Player/Recorder

We encourage you to visit our website www.califone.com to register your product for its warranty coverage, to sign up to receive our newsletter, download our catalog, and learn more about the complete line of Califone® audio visual products, including portable and installed wireless PA systems, multimedia players and recorders, headphones and headsets, computer peripheral equipment, visual presentation products and language learning materials.

Table of Contents

1. IMPORTANT SAFETY INSTRUCTIONS	3
2. PACKAGE CONTENTS	5
3. PART NAMES AND FUNCTIONS	5
4. SETUP AND INSTALLATION	6
4.1 AC OPERATION	6
4.2 BATTERY OPERATION	6
4.3 CONNECTING HEADPHONES	6
5. BASIC OPERATION	7
5.1 RADIO OPERATION	7
5.2 CASSETTE OPERATION	7
5.3 CD OPERATION	10
5.4 PLAYING FROM USB / SD STORAGE MEDIA	11
5.5 MISC FUNCTIONS	12
6. SPECIFICATIONS & FEATURES	14
7. WARRANTY	14
8. TROUBLE SHOOTING	15

1. IMPORTANT SAFETY INSTRUCTIONS

Before using this product, read the instruction manual for important safety information. Please retain this manual for future reference and warranty information.

Troubleshooting & Servicing

Do not attempt to service or repair the device yourself. Refer all servicing to qualified service personnel. Do not attempt to modify the device in any way. Doing so could invalidate your warranty.

Moisture and heat sources

Do not use this apparatus near water (for example, sinks, baths, pools) or expose it to rain, moisture, dripping or splashing liquids. Do not expose the unit to high temperatures, high humidity or direct sunlight.

Cleaning

When cleaning the device, please use a soft, dry cloth. Never use benzene, paint-thinner, or other chemicals on the device.

Location

Place the device in stable location, so it will not fall causing damage to the device or bodily harm.

Intended use

The product may only be used with the original parts intended for it. The product may only be used in closed and dry rooms. The intended use includes adherence to the specified installation instructions. The manufacturer accepts no liability for damage arising due to improper use.

WARNING: Changes or modifications to this unit not expressly approved by the party responsible for compliance could void the user's authority to operate the equipment.

IMPORTANT

This device complies with Part 15 of the FCC Rules. Operation is subject to the following two conditions:

(1) This device may not cause harmful interference, and (2) this device must accept any interference received, including interference that may cause undesired operation.

The unit's circuitry may cause interference to nearby radios. To prevent interference, either switch the unit off or move away from the affected radio.


NOTE: This equipment has been tested and found to comply within the limits for a class B digital device, pursuant to Part 15 of the FCC Rules. These limits are designed to provide reasonable protection against harmful interference in a residential installation. This equipment generates, uses and can radiate radio frequency energy and, if not installed and used in accordance with the instructions, may cause harmful interference to radio communications. However, there is no guarantee that interference will not occur in a particular installation. If this equipment does cause harmful interference to radio or television reception, which can be determined by turning the equipment off and on, the user is encouraged to try to correct the interference by one or more of the following measures:

- Reorient or relocate the receiving antenna.
- Increase the separation between the equipment and receiver.
- Connect the equipment into an outlet on a circuit different from that to which the receiver is connected.
- Consult the dealer or an experienced radio / TV technician for help.

NOTE: Shielded cables may be required to be used with this unit to ensure compliance with the Class B FCC limits.

SAFETY CERTIFICATION

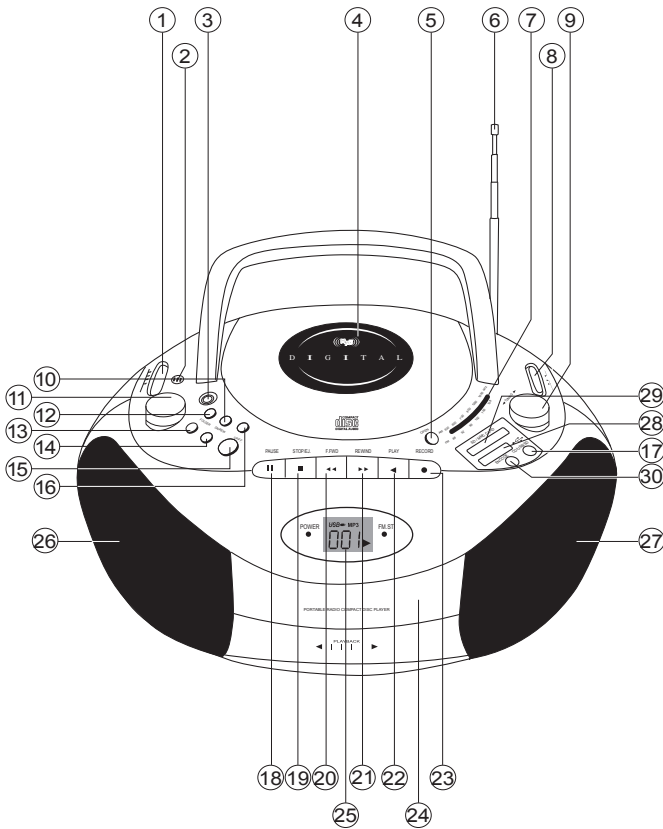
This device is made and tested to meet safety standards of the U.S. Department of Health and Human Services, and also with FDA Radiation Performance Standards 21 CFR Subchapter J.

	LASER SAFETY
INVISIBLE LASER RADIATION WHEN OPEN AND INTERLOCK FAILED OR DEFEATED. AVOID DIRECT EXPOSURE TO LASER BEAM.	This unit employs an optical laser beam system in the CD mechanism, designed with built-in safeguards. Do not attempt to disassemble; refer to qualified service personnel. Exposure to this invisible laser light beam may be harmful to the human eye.
	THIS IS A CLASS-1 LASER PRODUCT. USE OF CONTROLS, OR ADJUSTMENTS OR PROCEDURES OTHER THAN THOSE SPECIFIED HEREIN, MAY RESULT IN HAZARDOUS LASER LIGHT BEAM EXPOSURE.

2. PACKAGE CONTENTS

- 1886 Multimedia Player/Recorder with external power adapter (attached)
- User Manual

3. PART NAMES AND FUNCTIONS



- | | |
|-----------------------------|--------------------------|
| 1. Function Selector Switch | 16. CD Up/F.F. Button |
| 2. Condenser Microphone | 17. CD/USB/SD Button |
| 3. Headphone Jack | 18. Pause Button |
| 4. CD Compartment | 19. Stop / Eject Button |
| 5. CD Door Open Button | 20. Fast Forward Button |
| 6. FM Antenna | 21. Rewind Button |
| 7. Tuning Dial Scale | 22. Play Button |
| 8. Band Switch | 23. Record Button |
| 9. Tuning Control | 24. Cassette Compartment |
| 10. CD DN/REW Button | 25. CD Display |
| 11. Volume Control | 26. Left Speaker |
| 12. Folder+ Button | 27. Right Speaker |
| 13. Prog/Repeat Button | 28. USB Connector |
| 14. CD Stop Button | 29. SD/MMC Card Slot |
| 15. CD Play / Pause Button | 30. Encode Button |

4. SETUP AND INSTALLATION

4.1 AC OPERATION

1. Ensure the unit is off. To turn off the unit, slide the FUNCTION SELECTOR SWITCH to the "OFF" position.
2. Before operation please be sure that the voltage on the power adapter corresponds to the AC voltage of your local area. Unravel the AC Line Cord, insert one end into the AC jack on the set, and the other end into a standard AC outlet.

4.2 BATTERY OPERATION

1. Ensure the unit is off. To turn off the unit, slide the FUNCTION SELECTOR SWITCH to the "OFF" position.
2. **IMPORTANT: Disconnect the power adapter from the AC main power.**
3. Open the BATTERY COMPARTMENT DOOR and insert C (UM-2) size x 8 batteries (not included) making sure that the indicated battery polarity is observed.

4.3 CONNECTING HEADPHONES

1. Decrease the volume to minimum.
2. Connect the headphones to the PHONE jack.
3. Increase the volume to the desired listening level.

CAUTION: Avoid excessive volume for long periods of time as this can result in hearing damage.

5. BASIC OPERATION

5.1 RADIO OPERATION

1. Slide the FUNCTION SELECTOR SWITCH to the RADIO position.
2. Slide the BAND switch to the desired waveband. Turn the TUNING KNOB to your desired radio station.
3. Adjust the sound level by rotating the VOLUME CONTROL KNOB.
4. To turn off the radio, slide the FUNCTION SELECTOR SWITCH to OFF position.
5. For Stereo FM reception, slide the BAND Switch to the FM position. The FM STEREO indicator will light when listening to a strong station that is broadcasting in stereo.

NOTES:

- *For FM, pull out the telescopic antenna. To improve FM reception extend and reposition the antenna, reduce its length if the FM-signal is too strong (very close to a transmitter).*
- *For AM, SW1 & SW2, the set is provided with a built-in aerial, so there is no need to use the telescopic aerial, the aerial can be directed by turning the whole set.*

5.2 CASSETTE OPERATION

1. Press the STOP/EJECT button to open the cassette door.
2. Insert a cassette tape into the CASSETTE COMPARTMENT and push the cassette door to close.
3. Slide the FUNCTION SELECTOR SWITCH to TAPE position.
4. Press the PLAY button. Adjust the VOLUME CONTROL KNOB to your desired listening level.
5. To stop the tape, press the STOP/EJECT button.

FAST FORWARD AND REWIND

- The tape can be fast FORWARDED or REWOUND by pressing the FAST FORWARD button or REWIND button respectively.

PAUSE FUNCTION

- During playback or recording, the tape can be stopped temporarily by pressing the PAUSE button. To continue playback or recording, press the PAUSE button once again.

AUTO STOP SYSTEM

- When the tape runs to its end during playback or recording, the cassette operation will be stopped automatically.

CAUTION: *To avoid damage to the cassette mechanism or to the cassette tapes, always press the STOP/EJECT button between each operation.*

HANDLING CASSETTE TAPES

- If the tape is loose in its cassette, take up the slack by inserting a pencil in one of the reels and rotating if the tape is loose it may get stretched, cut, or caught in the cassette.
- Do not touch the tape surface.
- To prevent recording from being erased accidentally, remove the tab(s) A and B.
- To record after the tabs have been broken off reseal the slots A and B with a piece of adhesive tape.

CASSETTE DECK MAINTENANCE

The heads, capstan and pinch roller should be cleaned from time to time to prevent buildup of tape oxide, which degrades performance. We recommend cleaning after every 20-30 hours of operation.

1. Press the Stop/Eject key to open the deck door.
2. Remove cassette tape before cleaning.
3. Clean the head of all visible, reddish-brown oxide with a cotton-tipped swab moistened with a methyl alcohol or any solution specifically manufactured for this purpose.

CAUTION: DO NOT scrape the head surface with hard, sharp or abrasive objects. This will permanently damage the heads.

4. Clean the pinch roller by scrubbing the surface of the roller with the moistened swab. Rotate the roller by hand until the entire surface is clean.
5. Clean external case surfaces with a moist, soft cloth. Use only a mild detergent water solution.

HEAD DEMAGNETIZATION

It is recommended that the tape heads be demagnetized from time to time. This eliminates residual magnetism which degrades sound reproduction and the recording function.

1. After cleaning the heads and capstan, place the demagnetizer several feet away from the cassette unit and plug it into an AC outlet.
2. Follow the manufacturer's operating instructions supplied with the demagnetizer.

RECORDING FROM THE RADIO TO CASSETTE DECK

1. Tune to a desired radio program as described in the "RADIO OPERATION" section.
2. Insert a blank cassette tape into the CASSETTE COMPARTMENT.
3. Press the PAUSE button.
4. Press the RECORD button. The PLAY button is engaged simultaneously to start recording. With the built-in Automatic Level Control (ALC), the best recording quality is automatically adjusted. Changing the volume level will not affect the recording.

5. To activate recording, release the PAUSE button.
6. To stop recording temporarily, press the PAUSE button. To continue the recording, press the PAUSE button once again.
7. Press the STOP/EJECT button to stop recording.
8. When the tape runs to its end, the cassette operation will be stopped automatically.

RECORDING FROM THE BUILT-IN CONDENSER MICROPHONE TO CASSETTE DECK

1. Set the FUNCTION SELECTOR SWITCH to the TAPE position.
2. Open the CASSETTE COMPARTMENT by pressing the STOP/EJECT button and insert a blank tape into the CASSETTE COMPARTMENT. Close the door gently.
3. Press the RECORD button and PLAY button simultaneously to start the recording process. This process will record the signals that are received by the built-in CONDENSER MICROPHONE.
4. Press the STOP/EJECT button when finished.

NOTE: Monitoring during MICROPHONE recording is not possible.

RECORDING FROM THE CD PLAYER TO CASSETTE DECK

1. Slide the FUNCTION SELECTOR SWITCH to "CD" position.
2. Put a CD into the CD COMPARTMENT with the label side upward.
3. Insert a blank cassette into the CASSETTE COMPARTMENT and press PAUSE button of the cassette deck.
4. Press RECORD button and PLAY button simultaneously for recording stand-by. With the built-in ALC, the best recording quality is adjusted automatically.
5. Activate the CD players, playing in a desired TRACK as described in the COMPACT DISC PLATER OPERATION section. Release the PAUSE button of the cassette deck to start recording.
6. To stop recording temporarily, press the PAUSE button. To continue recording, press the PAUSE button again.
7. Press STOP/EJECT button of the cassette deck to stop recording. Then stop CD playback by pressing the STOP button of the CD player.

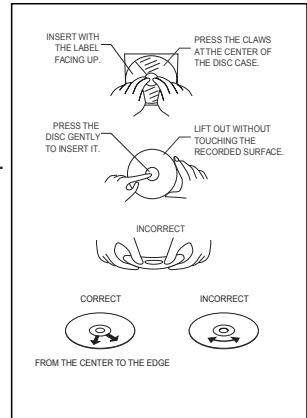
5.3 CD OPERATION

HANDLING COMPACT DISCS

This unit is designed to play only compact discs bearing the identification logo below.

Other discs may not conform to the CD standard and may not play properly.

- Dirty, scratched or warped discs may cause skipping or noise.
- Handle the disc only by the edges. To keep clean, do not touch its surface.
- Discs should be stored in their cases after use to avoid serious scratches.
- Do not expose disc to direct sunlight, high humidity, high temperature, dust, etc. Prolonged exposure to extreme temperatures can warp the disc.
- Do not stick or write anything on either side of disc. Sharp writing instruments or the inks used in some felt tip pens may damage its surface

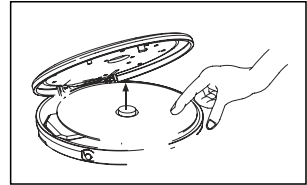


Remove the disc

- To pick up the disc, hold the edge and gently press the center pivot as illustrated.

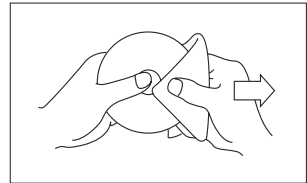
CAUTION: Wait for the disc to stop rotating before pressing the OPEN button.

NOTE: This unit can play 3" (8 cm) single CDs without an adapter. Do not use a CD single adapter for these discs.



CLEANING DISCS

Finger prints should be carefully wiped from the surface of disc with a soft cloth. Unlike conventional records, compact discs have no grooves to collect dust and microscopic debris, so gently wiping them with a soft cloth should remove most particles. Wipe in a straight motion from the center to the edge. Never use thinner, benzene, record cleaner or anti-static spray on a compact disc. Such chemicals can damage its plastic surface.



NOTE: Should skipping of tracks occur during CD playback, try turning the volume down. When CD is playing, do not open the CD Door.

PLAYING COMPACT DISCS

1. Select FUNCTION SELECTOR SWITCH to MODE.
2. Press the CD door open button to open the CD DOOR. Put a CD into the CD COMPARTMENT and close the CD DOOR.
3. When the CD DOOR is closed, the disc will automatically begin playback.
4. If the CD DOOR is not closed or there is no disc inside, the DISPLAY will show "OPN" or "NOD".

NOTE: This unit can read CD-RW discs, however not all types of CD-RW discs are compatible.

PLAYING COMPACT DISCS WITH MP3/WMA FILES

1. Select FUNCTION SELECTOR SWITCH to MODE.
2. Press the CD door open button to open the CD DOOR. Put an MP3 disc into the CD COMPARTMENT and close the CD DOOR.
3. When the CD DOOR is closed, the disc will automatically begin playback.
4. Use the REW and F.F. buttons to skip between tracks. If some files are within folders on the disc, use the FOLDER+ button to enter each folder and play the files.
5. If the CD DOOR is not closed or there is no disc inside, the DISPLAY will show "OPN" or "NOD".

NOTE: This unit can read and play compact discs with MP3 and WMA files on them, however not all such discs and filetypes are compatible.

5.4 PLAYING FROM USB / SD STORAGE MEDIA

To play files from USB/SD storage media, follow these steps:

1. Slide the FUNCTION SELECTOR SWITCH to the MODE position.
2. Remove the rubber cover of the USB Connector
3. Before connecting the USB/SD media to the unit, make sure the port is in the correct direction and will connect. Then connect the USB Storage Media or SD card.
4. Press CD/USB/SD button to switch function between operation of the CD, USB, and SD card. The LCD will indicate with text and an icon, which mode it is in.
5. The system will automatically start playing the files on the USB / SD card.
6. Use the REW and F.F. buttons to skip between tracks. If some files are within folders on the disc, use the FOLDER+ button to enter each folder and play the files. The folder number will flash for 3 seconds.

NOTES:

NOTES:

It is not possible to operate the USB/SD functions when the CD door is open. Make sure the CD door is closed during USB/SD Playback.

- *This system is able to playback most MP3 and WMA format files stored on the memory media with a USB connector and SD Card. This includes the Califone® 8100 MP3 Player/Recorder using a standard USB cable and iPod® devices using appropriate iPod® dock connector to USB connector.*
- *When the PLAY/PAUSE button is pressed while playback is stopped, the first track will be played. The LCD DISPLAY will show the specific number of track being played.*

CAUTION: *Improperly connecting the USB Storage Media or SD/MMC Card upside down could damage the unit or the USB Storage Media or SD/MMC Card.*

5.5 MISC FUNCTIONS

SKIP AND SEARCH MODE

- During Play or Pause mode, press the UP/F.F. or DN/REW button once to go to next track or previous track.
- During Play or Pause mode, press and hold the UP/F.F. or DN/REW button to search within a track and the elapsed time will be shown on the Display.
- Release the UP/F.F. or DN/REW button once the desired time is reached.

PROGRAM MODE

1. First, press the STOP button to ensure that playback is stopped. Note that it is not possible to program while the CD/USB/SD are playing.
2. Press the PROG button, the display will show "P01" and "000" in flashing. "P01" for the program location, and "000" for your desired songs.
3. Then press UP/F.F. or DN/REW. button to search for the track to be stored.
4. Press the PROG button to store the track.
5. Continue entering tracks in this way until all the desired tracks are stored (up to a limit of 20 tracks).
6. Press the PLAY/PAUSE button once to start playing the first programmed track.
7. During the playback of Programmed tracks, the PROG Indicator on the LCD display will remain lighted.
8. To clear/stop programmed play, press the STOP button.

REPEAT MODE

REPEAT SINGLE TRACK

- To continually repeat playback of a single track, first play the track.
- During playback, press the REPEAT button once.
- The “REP” indicator will light on the LCD display.

REPEAT ALL TRACKS IN FOLDER

- To continually repeat playback of all tracks in a folder on the storage media, first start playback of the first track in the folder.
- During playback, press the REPEAT button twice.
- The “REP” and “FOLDER” indicators will light on the LCD display.

REPEAT ALL TRACKS

- To continually repeat playback of all tracks on the storage media, first start playback of the first track.
- During playback, press the REPEAT button three times.
- The “REP” and “ALL” indicators will light on the LCD display.
- To cancel Repeat ALL tracks within FOLDER, press REPEAT button once more and the REP ALL indicator will go off.

ENCODING (FOR CD PLAYBACK)

1. Select and play the CD song.
2. When the song is being played, press and hold the ENCODE button till the display shows “ENC”. (It will take about 3 seconds)
3. To successfully copy the whole song to the storage media, do not press any buttons on the unit until copying is completed.
4. To manually stop the copying process, press the STOP button. If the STOP button is pressed during the Encode (Record) process, the song being Encoded (Recorded) to the Storage Media will also stop at the same time.
5. *NOTE: The song will play through the speakers while it is being copied to the storage media.*
6. The songs copied onto the storage media will be stored inside a folder “MP3” or “CDROM” (depending on the type of CD) and the songs will be named “TRACK01”, “TRACK02”, etc.

7. SPECIFICATIONS & FEATURES

Radio Frequency Range	AM: 530 - 1600 kHz FM: 88 - 108 MHz
Power requirements	8 "C" size alkaline batteries OR 110-240VAC -> 12VDC power adapter (attached)
No. of Channels	2 Channels (Stereo)
Output Power	1.8 W x 2
CD Compatibility	CD / MP3/WMA-CD / CD-R / CD-RW
Digital Audio File Compatibility	MP3, WMA
Compatible USB/SD Card Capacities	16MB / 32MB / 64MB / 128MB / 256MB / 512MB / 1GB / 2GB
Encoding (Recording) format (CD to USB / SD)	128 kbps MP3 format
Product Dimensions	13" x 10" x 5.5"
Product Weight (incl. accessories)	4.5 lbs

8. WARRANTY

Califone warrants this product to be free from defective material and workmanship for one year from the purchase date. Our "Project Intercept" Customer Satisfaction program will replace defective parts and repair malfunctioning equipment under this warranty when the defect occurs under normal use.

All Damage Claims Must Be Made With the Freight Carrier

Notify the freight carrier immediately if you observe any damage to the shipping carton or product. Repack the unit in the carton and await inspection by the carrier's claim agent. Notify your dealer of the pending freight claim.

Returning Your Unit for Service or Repairs

Should your unit require service, contact our Customer Service Department online at califone.com/techsupport or via email warranty@califone.com or by phone at 800-722-0500 / 818-407-2400 to first obtain an RA (Return Authorization) number before returning it to Califone. The unit must be returned to our factory via prepaid transportation only after the factory issues an RA number, which must be clearly written on the outside of the box.

6. TROUBLESHOOTING

Freezing / Problem occur during unit operation.	Should the unit Freeze or exhibit problem during operation, turn off the unit and disconnect the power supply and then restart.
CD-RW disc does not play.	This unit can read CD-RW discs, however not all types of CD-RW discs are compatible. Thus the full playability with all CD-RW disc is not guaranteed.
No Playback via USB Flash Player / USB / SD Card.	Due to the variance in the use of USB Flash Players software and capacity of the USB / SD Card, not all USB MP3 Players / USB / SD Card are compatible in the unit.
Problem occur during playback of songs via USB / SD Card.	Due to the variance in MP3 or WMA transferring, some files may not be supported.



We invite you to follow us.

Califone® International, LLC
9135 Alabama Avenue, #B, Chatsworth, CA 91311
Tel (818)407-2400 | (800)722-0500
Fax (818)407-2405 | (877)402-2248
Visit us online at califone.com