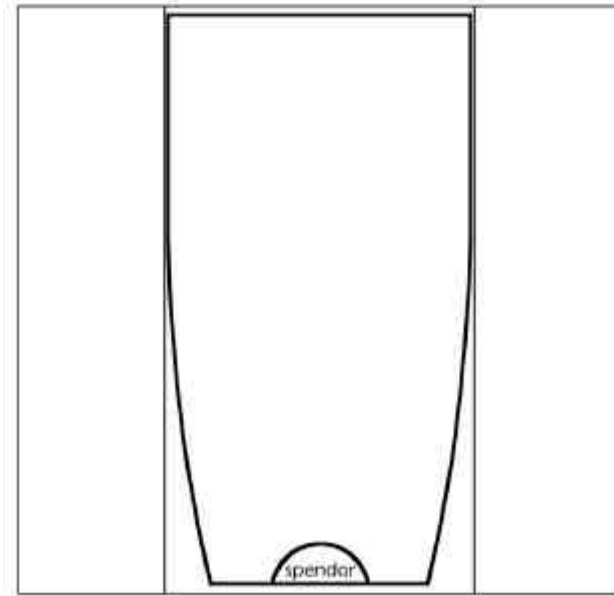


Instruction Manual



SR5 Loudspeaker



Spendor Audio Systems Ltd

IMPORTANT

- **PLEASE READ THESE INSTRUCTIONS CAREFULLY BEFORE INSTALLING YOUR NEW SPENDOR LOUDSPEAKERS**
- **DO NOT DRILL ANY HOLES OR FIX ANY SCREWS CLOSE TO ANY AC MAINS OR OTHER ELECTRICAL CABLES**
- **DO NOT DRILL ANY HOLES OR FIX ANY SCREWS CLOSE TO ANY PIPES OR CONDUITS**
- **IF YOU ARE UNSURE ABOUT ANY ASPECT OF THE INSTALLATION CONSULT YOUR SPENDOR DEALER OR A QUALIFIED PROFESSIONAL BEFORE PROCEEDING**
- **PLEASE READ THESE INSTRUCTIONS CAREFULLY BEFORE INSTALLING YOUR NEW SPENDOR LOUDSPEAKERS**
- The Spendor SR5 is designed to perform optimally when it is mounted on a wall.
- It must be fixed securely to a wall or ceiling using the supplied wall bracket.
- The wall bracket must be securely fixed using the supplied 3 x screws and 3 x wall plugs. The screws must be fixed into a solid wall section. This can be brick, block or, if the wall is dry-lined (e.g. wallboard or plasterboard), a structural timber 'stud' or 'batten'.
- If the wall is dry-lined and there is no timber batten directly behind the bracket use a suitable expansion fixing (not supplied). Expansion fixings are available from most hardware stores or builders merchants.
- If the SR5 is mounted very close to a corner or on a ceiling you can place a solid timber batten (spacer) between the bracket and the wall to provide a greater range of adjustment. See figure 4. The spacer can be up to 50mm thick. If a spacer is used, longer fixing screws (not supplied) will be required.
- For any other installation arrangement seek advice from your Spendor dealer.
- Install all loudspeaker cables before installing the bracket and allow at least 100mm of free loudspeaker cable directly behind the loudspeaker terminals.
- Always position the cabinet as close to the wall as possible while allowing a clear gap of at least 2mm between the cabinet rear edge and the wall face.
- Plan the layout of your room and all loudspeaker positions before installing any cables or brackets.

1 POSITIONING THE LOUDSPEAKERS

- The SR5 frequency response is extremely well maintained off-axis. This creates a wide deep precise sound field which allows great flexibility when planning the layout of your room, seating, loudspeakers, and associated equipment (e.g. TV or video screen). Use the following guidelines to determine the optimum positions for your loudspeakers.
- Try to position the loudspeakers at least 650mm away from any adjacent wall, ceiling or large equipment cabinet and always install the cabinet so that the distances A, B and C differ by at least 75mm. See figure 1.
- As a general guide if the cabinet is 1m or more above floor level mount the cabinet in its normal orientation. See figure 2.
- When the cabinet is less than 1m above floor level 'invert' the cabinet so the tweeter is above the bass-mid driver. See figure 3.
- The SR5 grille can be fitted to match either cabinet orientation or, if preferred, it can be left off.

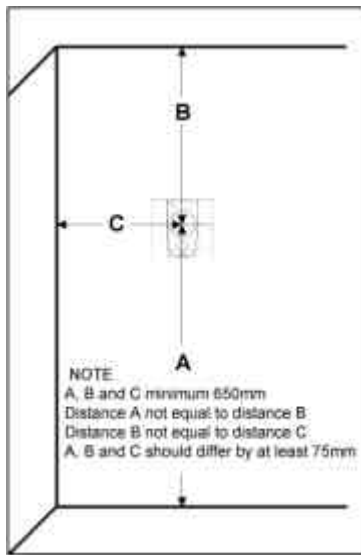


Figure 1

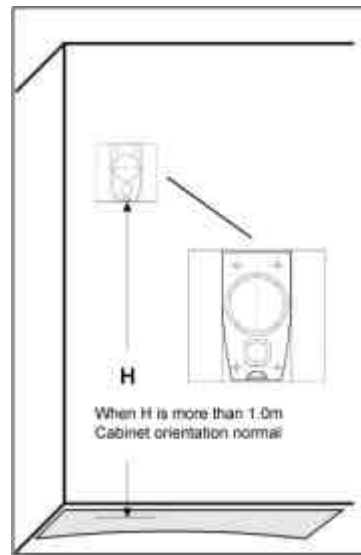


Figure 2

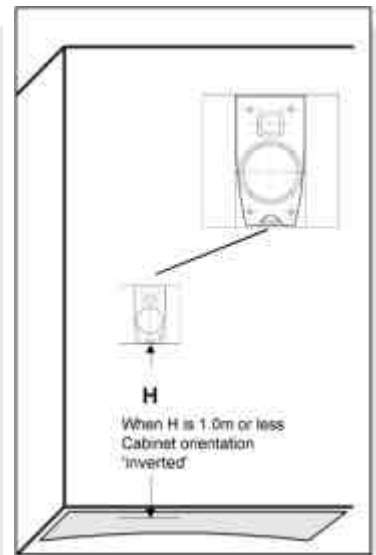


Figure 3

- If your room has a hard reflecting floor, e.g. wood or stone with no sound absorbing rugs, try to position the loudspeaker cabinets at least 1m above floor level.
- A rug or carpet on the floor between your front loudspeakers and the main seating area can dramatically improve the sound of any audio system.
- If the SR5 is close to a large TV, equipment housing or item of furniture there will be many acoustic variables. Try the loudspeaker normal and inverted, and choose the orientation which gives the clearest sound, the best sound image and the smoothest bass.
- The SR5 is magnetically shielded to prevent interference if it is positioned close to magnetically sensitive video, TV or computer screens.
- If you have an acoustically transparent video screen, and you are using the SR5 as a centre channel loudspeaker, position the cabinet behind the screen as close as possible to the centre of the screen and remove the grille. If the screen is sufficiently wide the left and right loudspeakers can also be positioned behind the screen.

- The wall bracket allows you to adjust the angle of the cabinet to fine-tune the sound field which is especially useful when the SR5 is used as a surround or rear channel loudspeaker or if it is mounted on a ceiling. See figure 4.

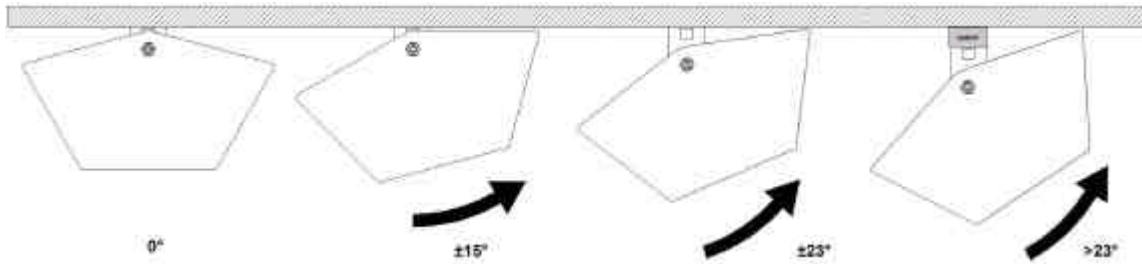


Figure 4



Figure 5

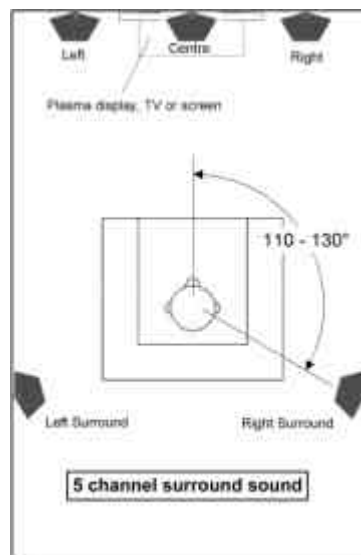


Figure 6

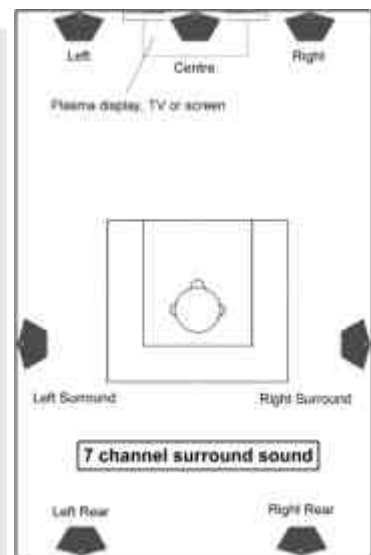


Figure 7

- Surround/rear loudspeakers should generally be mounted above seated ear level.
- Surround (side) loudspeakers should generally be mounted above seated ear level.
- Centre channel loudspeaker can be above or below the screen.
- If no screen is installed, eg. music only surround sound system, position the left, right and centre loudspeakers slightly above seated ear level if possible.

2 BRACKET AND CABINET INSTALLATION

- Check that all loudspeaker cables have been prepared and installed. See section 3 Cables and Connections.
- The cabinet is secured to the bracket with 2 x M6 hex-drive socket cap machine screws, 2 x spring washers and 2 x stainless steel bushes. See figure 8. ALWAYS store these components safely whenever they are removed.
- Remove the two screws and washers using the supplied 5mm hex wrench and carefully detach the bracket from the cabinet.

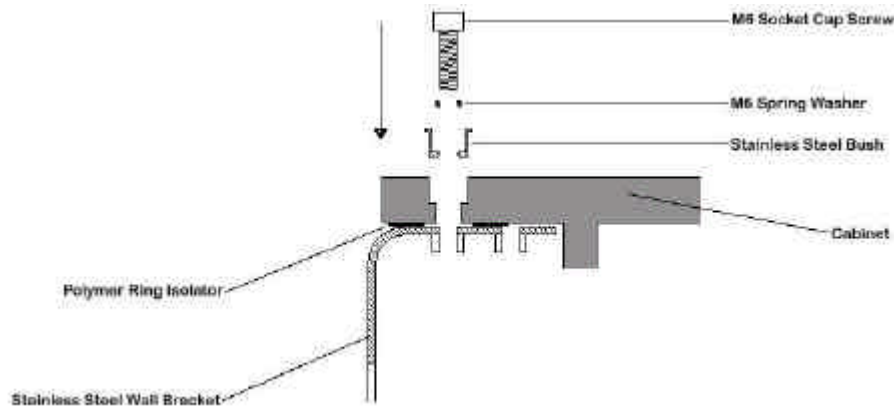


Figure 8

- Hold the bracket against the wall (or ceiling) in its final location and carefully mark the centres of the three holes. To ensure a neat installation make sure the bracket is level. See figure 9.
- Place the bracket to one side.
- Drill three 5.5mm diameter holes to a clear depth of 30mm. Insert the 3 wall-plugs. Screw the bracket to the wall using the supplied 3 x No 8 cross-head screws. Before tightening the screws check the orientation of the bracket.

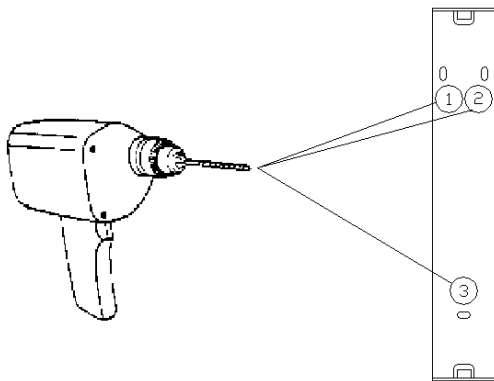


Figure 9

- Check that the 2 x bushes are correctly fitted to the cabinet. Carefully locate the cabinet over the bracket and fit the 2 x M6 screws and 2 x spring washers. Do not tighten the screws completely until all cables have been connected. Tighten the screws securely but do not use excessive force.
- To adjust the cabinet angle, loosen the M6 screws slightly, adjust the cabinet, then re-tighten the screws.
- Take care not to mark any wall coverings when using the hex wrench.

3 CABLES AND CONNECTIONS

- Loudspeaker cables can have a noticeable effect on sound quality. Choose good quality low resistance cables with high purity metal conductors and low-loss dielectric (insulation). Ask your dealer for advice on cables to suit your system and budget.
- Set amplifier(s) to minimum volume and switch off the power.
- Always connect the –ve (usually black) loudspeaker output terminal of the amplifier to the corresponding –ve (Black) terminal on the loudspeaker.
- Always connect the +ve (usually red) loudspeaker output terminal of the amplifier to the corresponding +ve (Red) terminal on the loudspeaker.
- Always connect the left channel amplifier output to the left loudspeaker and the right channel amplifier output to the right loudspeaker.
- For surround sound systems the centre, surround and rear loudspeakers must be connected to the appropriate amplifier outputs.
- Make the connections as shown below. Only the left channel connection is shown.
- When all connections have been made. Switch on the amplifier(s). Pick a sound source (e.g. CD or FM) and advance the volume control carefully.

SINGLE WIRING

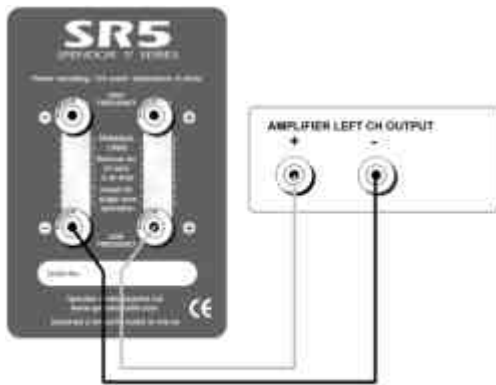


Figure 10

Single Wiring - Terminal Links INSTALLED

BI-WIRING

- **IMPORTANT:** REMOVE the terminal links and store them safely.
- Bi-wiring can improve sound quality by separating the current paths for Low (LF) and High (HF) frequencies.

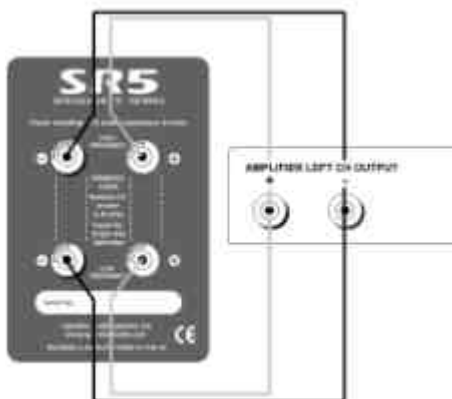


Figure 11

Bi-wiring - Terminal Links REMOVED

BI-AMPING

- **IMPORTANT:** REMOVE the terminal links and store them safely.
- Bi-amping allows two independent audio power amplifier of equal or similar quality to be used for LF and HF signals. The benefits of bi-amping include reduced intermodulation distortion because the low and high frequency signals are amplified independently, and more power reserve and dynamic range because each amplifier has less 'work' to do than a corresponding single amplifier.

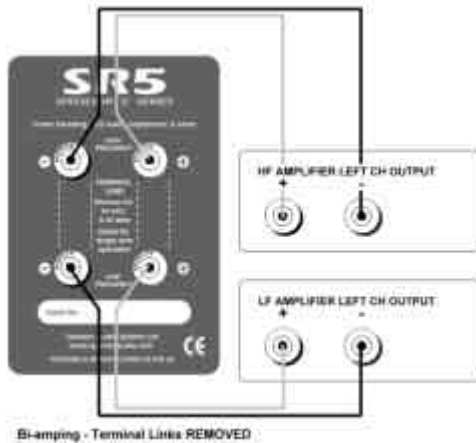


Figure 12

4 POWER RATING

The technical specification shows a nominal power rating for your loudspeaker and the figure can be taken as a rough guide to the power rating, Watts per channel into 8ohm load, for a complementary amplifier. However, provided you NEVER play at levels where the sound is strained or distorted, the power rating is not critical provided you have a minimum of about 15 Watts per channel and a maximum of 250 Watts per channel available. If the sound is strained always turn the playing level down immediately. Ask your dealer for advice if you are unsure or if you are choosing a new amplifier.

5 RUNNING-IN

The performance of any loudspeaker will improve subtly during initial use especially if the loudspeaker has been stored in a cold environment or not used for an extended period. The drive unit suspension and any damping materials will 'break in' and settle during the first 24-48 hours of playing. This running-in period may vary. Allow up to a week for the loudspeaker temperature to stabilise and a further 48 hours of continual operation for the loudspeaker to deliver its full potential.

6 MAINTENANCE

Spendor's real wood veneers and solid timber elements should be treated like high quality furniture. Routine dusting with a soft cloth is recommended. Do not apply any aerosol spray directly as this could damage the drive units or grille fabric. Dust on the grille cloth can be removed with a sticky roller or a piece of sticky tape or by gentle vacuuming with a soft brush adaptor. Do not expose the cabinets to damp, widely fluctuating temperatures or direct sunlight, the appearance and performance may suffer. The SR5 cabinets are finished in natural wood, over time the wood will age and mature, often darkening the surface colour while highlighting the natural grain and patina.

7 QUERIES AND SERVICE

If you require advice or service for your audio system please contact your Spondor dealer. We recommend that you retain all the packaging for your loudspeakers in case you need to transport them safely in the future.

8 WARRANTY

All Spondor 'S' Series loudspeakers ('The Equipment') are guaranteed against defects in components and materials for a period of 5 years from date of purchase. Within this period parts will be replaced free of charge provided that failure is not due to accident, negligence or misuse. Labour and carriage are not covered except by local agreement.

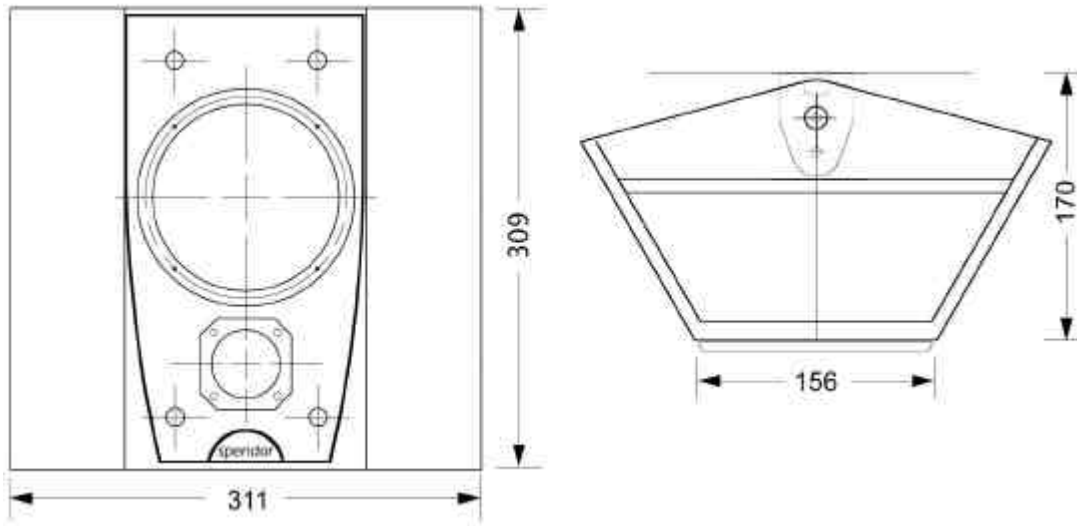
The guarantee offered does not affect the consumer's statutory rights.

To obtain Service under guarantee the equipment together with an original or clear copy of proof of purchase must be delivered to a local Spondor dealer or distributor at the owner's expense.

Spondor Audio Systems Ltd and any of its authorised distributors or dealers reserve the right to refuse service under guarantee if the equipment has been subject to unauthorised modification or any of the serial numbers identifying the equipment have been defaced or removed.

Please register ownership of your Spondor loudspeakers by completing and returning the enclosed registration card. This will help us to deal quickly with any queries regarding your equipment.

9 SPECIFICATIONS [SR5]



Description	2-way sealed enclosure for use on wall
Drive Units	25mm (1in) coated fabric dome tweeter 140mm (5.5in) homopolymer cone bass-mid driver
Frequency response	90Hz - 20kHz \pm 3dB on reference axis
Frequency range	-6dB at 70Hz
Dispersion	Within 3dB of response on reference axis Horizontal: over 40° arc (\pm 20°) Vertical: over 20° arc (\pm 10°)
Sensitivity	88dB SPL (1W, 1m)
Harmonic distortion	2 nd & 3 rd harmonics (re. 90 dB/1m) <1% 100Hz – 20kHz
Nominal impedance	8 ohms (minimum 6.0 ohms)
Crossover frequency	5 kHz
Connections	Heavy duty 2/3 way gold plated terminal posts Independent HF and LF terminals allow bi-wiring
Power handling	15 - 125W into 8 ohms on unclipped programme
Dimensions (W x H x D)	311 x 309 x 176mm (12.2 x 12.1 x 7in) maximum including bracket
Net weight	Net 5.8kg (13lb) including bracket
Cabinet finishes	Cherry, Maple, Rosenut or Black Ash Veneer
Accessories	Stainless steel wall bracket and fixings included

Spendor loudspeakers are magnetically shielded to avoid interaction with video and computer screens

Spendor Loudspeakers are designed and manufactured by Spendor Audio Systems Ltd
Spendor Audio Systems Ltd reserve the right to alter designs and specifications without notice
Spendor is a registered trademark of Spendor Audio Systems Ltd

Spendor Audio Systems Ltd
Station Road Industrial Estate
Hailsham
East Sussex
BN27 2ER UK

T+44 (0) 1323 843474
F+44 (0) 1323 442254
E info@spendoraudio.com
www.spendoraudio.com