

SONY[®]

User guide

Game Control Mount
GCM10

Contents

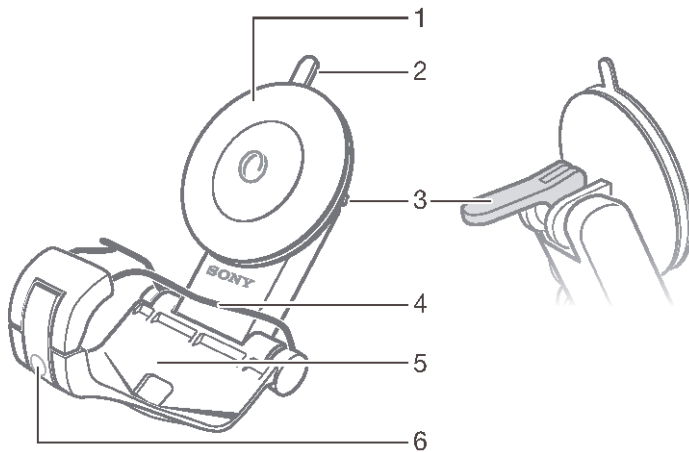
Introduction.....	3
About the Game Control Mount.....	3
Using the Game Control Mount.....	4
Attaching the gaming controller and a phone or tablet.....	4
Detaching your phone or tablet.....	5
Legal information.....	6

Introduction

About the Game Control Mount

Use the GCM10 Game Control Mount to mount a Sony DS4™ gaming controller and an Xperia™ smartphone or tablet together so that you can play games anywhere you go while enjoying a comfortable viewing angle and wireless control.

You can attach a phone or tablet with a maximum screen size of 8 inches. Devices with a larger screen size might not fit properly or may be too heavy for the suction pad.

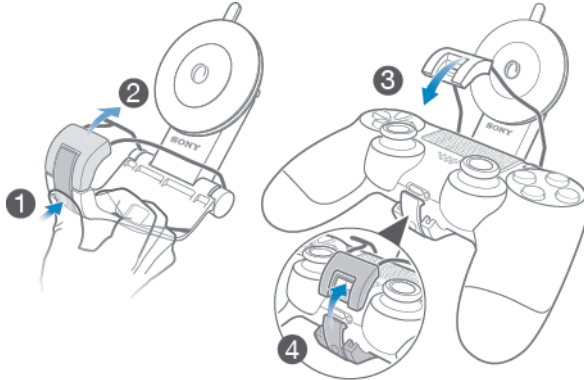


- | | |
|---|------------------------------------|
| 1 | Suction pad |
| 2 | Release tab |
| 3 | Suction pad lever |
| 4 | Holding brace |
| 5 | Holding dock for gaming controller |
| 6 | Latch clip |

Using the Game Control Mount

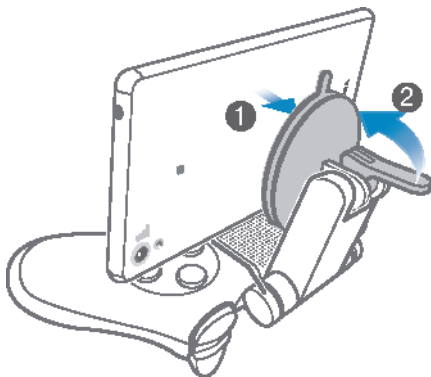
Attaching the gaming controller and a phone or tablet

To attach the gaming controller



- 1 To unfasten the lock, press against the bottom of the latch clip.
- 2 Draw the holding brace upwards.
- 3 Place the gaming controller in the holding bay, then draw the holding brace downwards to its original position..
- 4 Fasten the latch clip.

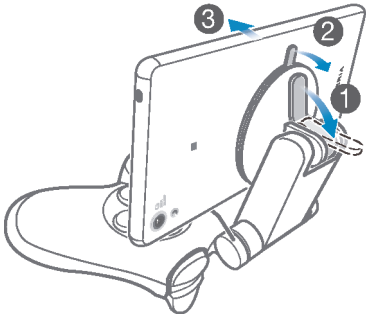
To attach a phone or tablet



- 1 Make sure the suction pad lever is in the open or down position.
 - 2 Press the rear middle area of the phone or tablet against the suction pad.
 - 3 Press the suction pad lever upwards towards the phone or tablet.
- ! When a gaming controller and phone/tablet are attached to the Game Control Mount, avoid sudden or shaking movements and do not hold the mount in such a way that the phone or tablet is facing downwards. This is to ensure that the phone or tablet does not become detached.
- 💡 Make sure the part of the phone that you attach to the suction pad is flat.

Detaching your phone or tablet

To detach your phone or tablet



- 1 Hold your phone or tablet firmly, then press the suction pad lever downwards.
 - 2 Pull the release tab backwards.
 - 3 Detach your phone or tablet from the suction pad.
- ! Do not try to forcefully remove the phone or tablet from the suction pad. In order to avoid permanent damage to the pad, make sure you follow the correct procedure.

Legal information

Sony GCM10

Prior to use, please read the *Important information* leaflet separately provided.

This User guide is published by Sony Mobile Communications Inc. or its local affiliated company, without any warranty. Improvements and changes to this User guide necessitated by typographical errors, inaccuracies of current information, or improvements to programs and/or equipment, may be made by Sony Mobile Communications Inc. at any time and without notice. Such changes will, however, be incorporated into new editions of this User guide.

All rights reserved.

©2014 Sony Mobile Communications Inc.

Sony is the trademark or registered trademark of Sony Corporation.

All product and company names mentioned herein are the trademarks or registered trademarks of their respective owners. Any rights not expressly granted herein are reserved. All other trademarks are property of their respective owners.

Visit www.sonymobile.com for more information.

All illustrations are for illustration only and may not accurately depict the actual accessory.