

Safety Instruction & Operator's Manual for

# SNAPPER<sup>®</sup>

## EDGER/TRIMMERS

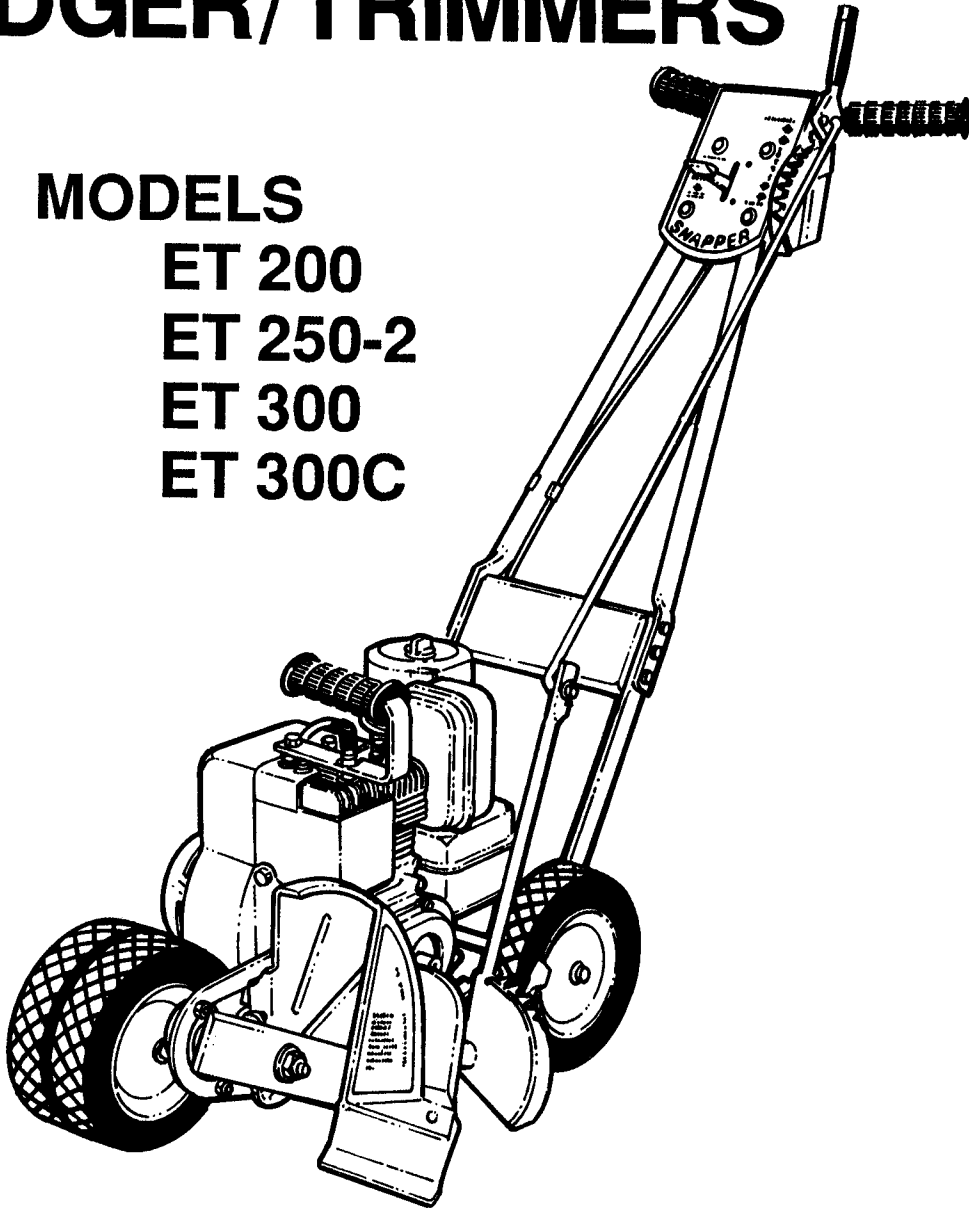
### MODELS

ET 200

ET 250-2

ET 300

ET 300C



Thank you for buying a **SNAPPER** product! Your Edger/Trimmer was designed and built to provide long and satisfactory service. Study this manual carefully before operating this equipment and pay particular attention to the Important Safety Instructions found on page 2. Keep in mind that an Edger/Trimmer, like any other mechanical device, can be potentially dangerous if used improperly. Following the instructions in this and the engine manual will help you continue to enjoy the trouble-free operation expected of a **SNAPPER**.

**SNAPPER POWER EQUIPMENT**

McDonough, GA • 30253



Revision 2, 11/88

MANUAL #1-5940

# IMPORTANT SAFETY INSTRUCTIONS

**WARNING:** Failure to comply with the following instructions may result in serious injury to the operator or other persons. The owner of the edger/trimmer must understand these instructions and, furthermore, must allow only persons who understand these instructions to operate the unit. Each person operating the edger/trimmer must be of sound mind and body and must not be under the influence of any substance which might impair vision, dexterity, or judgement. If you have any questions pertaining to your edger/trimmer which your dealer cannot answer to your satisfaction, call or write the Customer Service Department at SNAPPER POWER EQUIPMENT, McDonough, Georgia, 30253. (Phone 404-957-9141).

## SAVE THESE INSTRUCTIONS!

### TRAINING

1. Read this manual carefully. Be thoroughly familiar with the controls and proper use of the equipment. Know how to stop the unit and disengage the controls quickly.
2. Never allow anyone to operate the edger/trimmer without proper instruction.
3. Keep the area clear of all persons, particularly small children, and pets.
4. DO NOT allow pre-teenage children to operate edger/trimmer.
5. Allow only responsible teenager with mature judgement to operate edger/trimmer and only under close supervision.

### PREPARATION

1. Wear safety glasses or goggles. Do not wear loose clothing or jewelry. They can be caught in moving parts.
2. Always wear substantial footwear and long pants. Sturdy gloves are recommended. Do not operate edger/trimmer when barefoot or wearing open sandals.
3. Thoroughly inspect the operating area and remove all stones, sticks, wire, bones and other objects that could cause injury if thrown at high speeds.
4. Never operate edger/trimmer without proper guards, shields or other safety protective devices in place and properly connected. Inspect to determine that these safety devices are installed properly, are in good repair, and operate properly. If the condition or operation of these devices are questionable, they must be repaired or replaced before using the edger/trimmer.
5. Mix and store fuel in an approved gasoline container. Fill fuel tank before starting engine and replace fuel tank cap securely. Do not smoke near open gasoline container. Do not fill gasoline tank indoors or when engine is running. Allow engine to cool for at least ten minutes before refueling. Wipe off any spilled gasoline and move away from fueling site before starting engine. Do not run engine indoors.
6. Use edger/trimmer only in daylight or in good artificial light.
7. Never operate edger/trimmer in wet grass. Keep a firm hold on the handles and walk slowly, never run.
8. Operate only where firm footing and balance are assured. Do not operate where use of hands would be necessary to prevent falls.

### OPERATION

1. Do not overspeed engine.
2. Do not put hands or feet near or under rotating parts while engine is running. Keep feet away from cutting area.
3. Stop engine when crossing gravel drives, walks, or roads, and under any conditions where thrown objects might be a hazard.
4. After striking a foreign object or if unit vibrates abnormally, stop the engine, disconnect and secure spark plug wire. Inspect the unit for any damage and repair the damage.
5. Stop engine before leaving unit. Caution - cutting blade coasts after turn off.
6. Before cleaning, repairing or inspecting, make certain blade has stopped. Disconnect and secure spark plug wire away from plug to prevent accidental starting.
7. Hold handles firmly with both hands to prevent loss of control due to blade bounce upon contact with hidden solid objects.

### MAINTENANCE AND STORAGE

1. Disconnect (unplug) spark wire when unit is not in use, before servicing or cleaning or before changing accessories.
2. Keep all nuts, bolts, and screws tight to be sure unit is in safe operating condition.
3. Never store unit with gasoline in the tank inside of a building where fumes may reach an open flame or spark. Allow engine to cool before storing in any enclosure.
4. To reduce fire hazard, keep unit free of grass, leaves or excessive grease.
5. Have your edger/trimmer inspected and serviced each year by an authorized Snapper dealer. Determine if any additional devices are available which might upgrade the safety of your edger/trimmer.
6. Use only factory specified Snapper attachments, accessories and fasteners.
7. Store edger/trimmer in an area inaccessible to children.

# FAMILIARIZATION

## SNAPPER EDGER/TRIMMERS

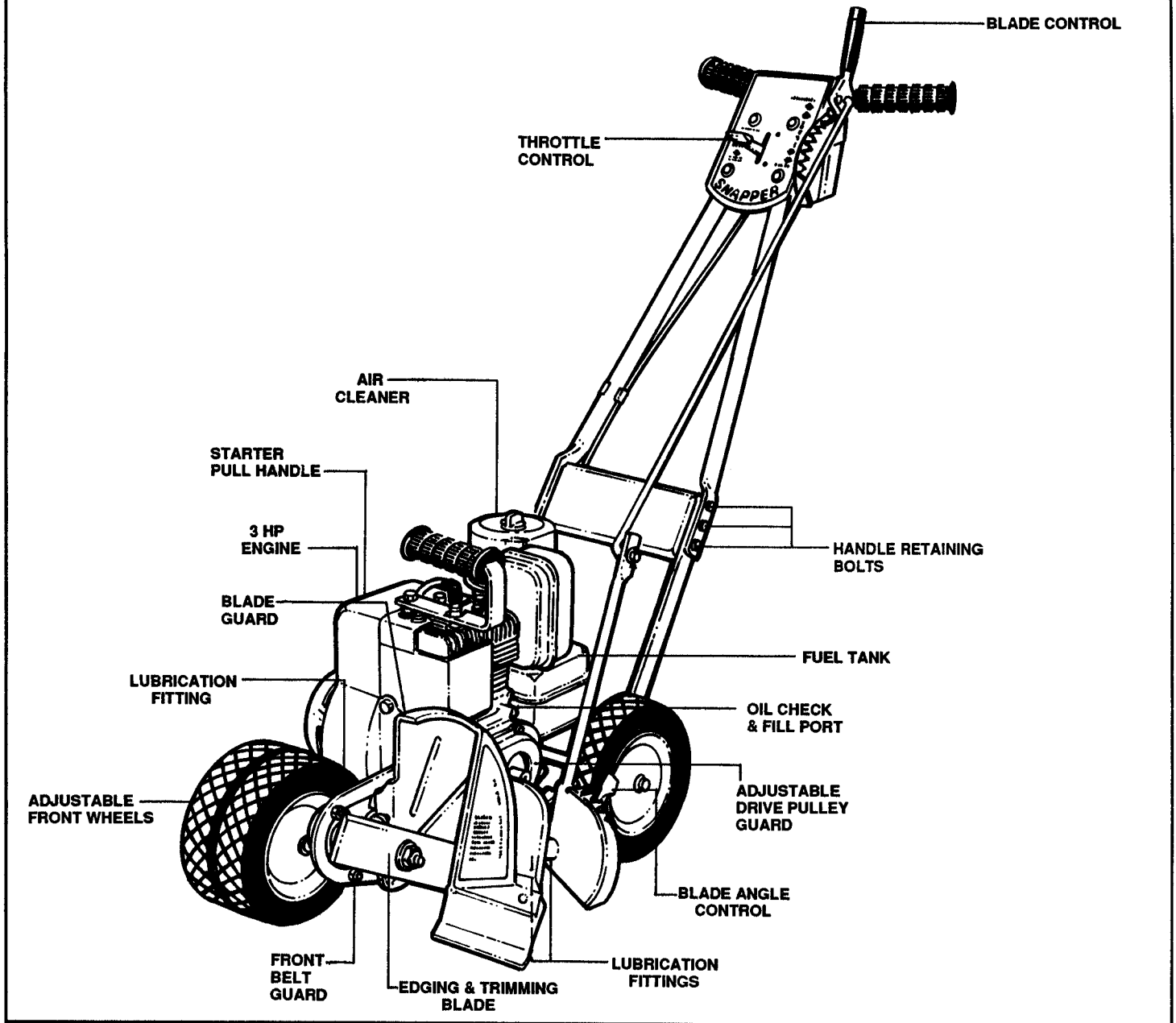


FIGURE 1

This manual has been prepared for the operators of the **SNAPPER EDGER/TRIMMER**. Its purpose, aside from recommending operating instructions and routine service requirements, is to promote safety through the use of accepted operating practices. **READ, UNDERSTAND AND FOLLOW** the safety and operating instructions herein before attempting any work with the machine.

### NOMENCLATURE

The nomenclature drawing above (Figure 1) shows the essential parts of the **SNAPPER EDGER/TRIMMER**. It is recommended that all operators of this equipment become thoroughly familiar with the controls, parts and operation of this machine before operating. Specific details involving the engine are found in the separate engine owner's manual. Study these manuals before operating and keep both handy for future reference.

# OPERATING INSTRUCTIONS

## BEFORE OPERATING:

Be thoroughly familiar with all controls and how to use them before operating your Edger/Trimmer. Make the following checks and perform the services as required before each start up.

## PRE-START CHECK LIST

**CHECK ENGINE OIL** and bring level up to full. \* (Refer to engine manual for oil specifications).

**CHECK AIR CLEANER** and service according to instructions in Engine Manual.

**CHECK EXTERNAL SURFACES** and remove dirt and dust accumulation and sharpen blade as needed.

**CHECK GUARDS** to make sure all are in proper position and securely tightened.

**FILL FUEL TANK** where fumes will be safely dissipated. Refer to Engine Manual for fuel specifications. \*

### \* NOTE

ON MODEL ET250-2, MIX 2-CYCLE ENGINE OIL WITH THE GASOLINE IN THE EXACT RATIO SPECIFIED IN THE ENGINE OWNERS MANUAL!

## STARTING - STOPPING

Know beforehand how to stop the blade and engine in preparation for possible emergencies. The engine is stopped by pulling the engine THROTTLE CONTROL to the rear to STOP. See Figure 2.

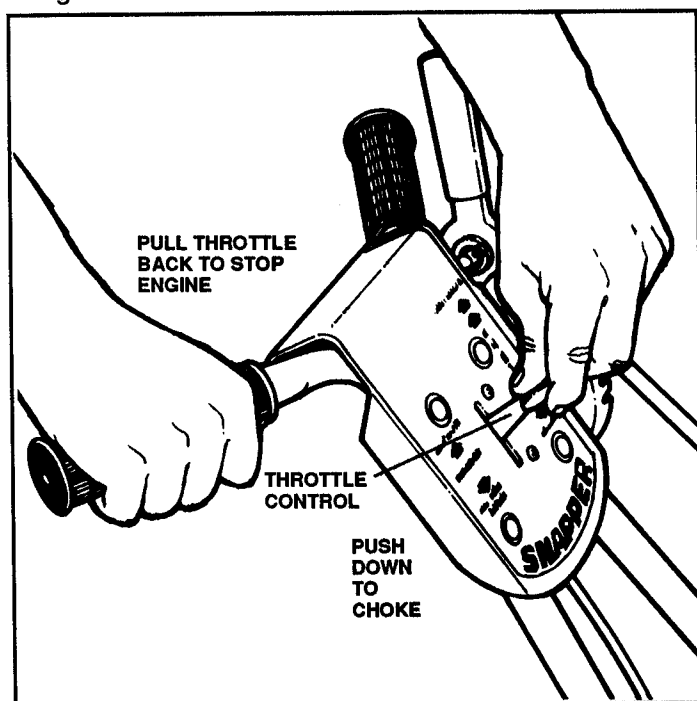


FIGURE 2

The blade rotation is stopped by pulling the blade control out and up to its position closest to the operator. See Figure 3.

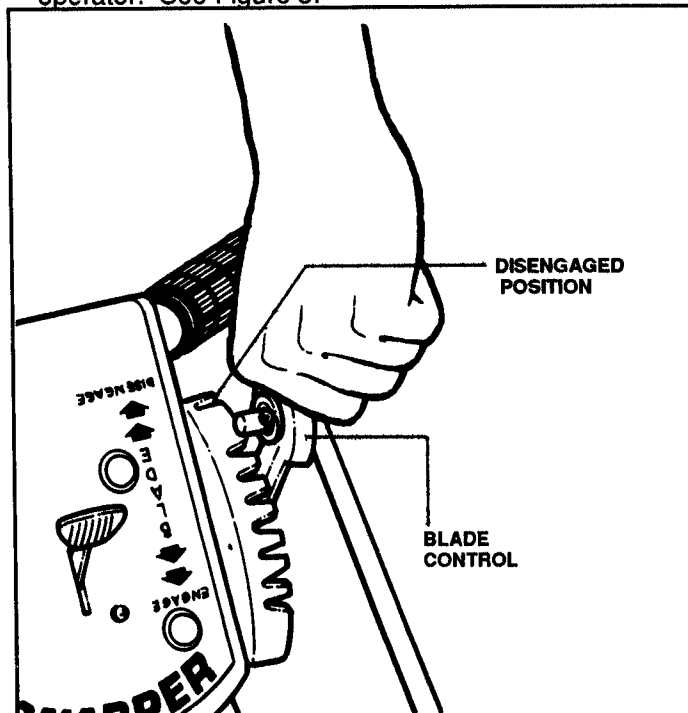


FIGURE 3

## OPERATE ENGINE AS FOLLOWS:

**STEP 1:** Disengage blade by placing the BLADE CONTROL to its disengaged position.

**STEP 2:** On cold starts, move the THROTTLE CONTROL into the CHOKE position.

**STEP 3:** Move around to right side of the unit and pull ROPE STARTER on engine with a smooth, steady motion until engine starts. To prolong the life of the rope, guide the starter back to the engine rather than allowing it to snap back.

**STEP 4:** After engine starts, allow a brief engine warm-up period, then move the THROTTLE CONTROL to the desired speed setting. Refer to EDGING and TRIMMING PROCEDURE sections.

**STEP 5:** To stop the engine, pull the engine THROTTLE CONTROL completely back to its "OFF" position.

## TRANSPORTING TO WORK SITE

To avoid damage to blade, lawn, curbs, or pavement, make certain blade control is in its disengaged position. After disengaging blade, push the machine to the site where work is to begin.

## EDGING PROCEDURE

The SNAPPER EDGER/TRIMMER is designed for edging along driveways, sidewalks, and curbing at any desired depth and/or angle.

# OPERATING INSTRUCTIONS/SERVICE

Initial setup of blade and wheels is required to achieve the desired results. Follow the instructions below before beginning the EDGING OPERATION.

## WARNING

MAKE CERTAIN ENGINE IS OFF, BLADE DISENGAGED AND SPARK PLUG WIRE REMOVED BEFORE ATTEMPTING ANY ADJUSTMENTS OF BLADE AND WHEELS.

1. **ADJUST FRONT WHEELS** by removing the "hair-pin" from the axle and sliding the L.H. WHEEL to the position closest to the blade guard, reinsert the "hair-pin".
2. **ADJUST BLADE CUTTING ANGLE** by setting the blade angle control, on the L.H. side of the machine, to the desired cutting angle. See Figure 4.

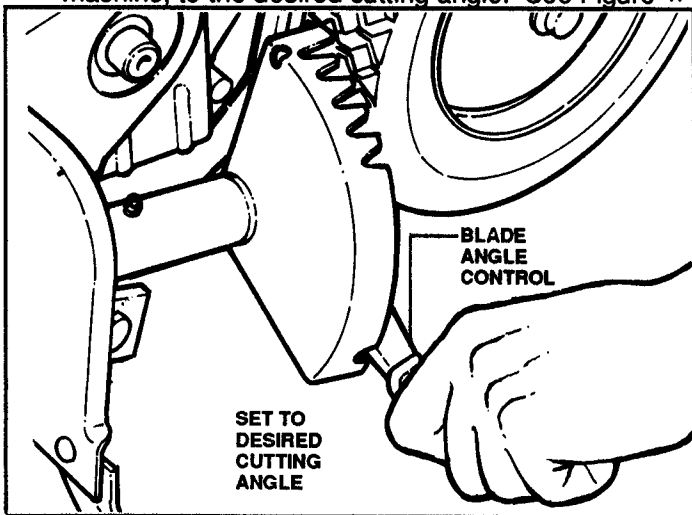


FIGURE 4

3. Check guards to make certain all are tightened securely. Also, check blade for sharpness and correct torque on mounting spindle. Proper torque should be 20 foot lbs. torque.
4. Replace the spark plug wire and start engine according to "OPERATE ENGINE AS FOLLOWS:" on the preceding column.
5. Position the EDGER/TRIMMER to begin work.
6. Engage and adjust blade to desired cutting depth by moving blade control to the desired position.

## TRIMMING PROCEDURE

The **SNAPPER EDGER/TRIMMER** is also designed for trimming operations.

Initial set up of blade and wheels is required to achieve desired results. Follow the instructions below before beginning any TRIMMING OPERATION.

## WARNING

MAKE CERTAIN ENGINE IS OFF, BLADE DISENGAGED AND SPARK PLUG WIRE REMOVED BEFORE ATTEMPTING ANY ADJUSTMENTS OF BLADE AND WHEELS.

1. **ADJUST FRONT WHEELS** by removing the "hair-pin" from the axle and sliding the L.H. WHEEL against the R.H. WHEEL, reinsert the "hair-pin" to hold wheel in place.
2. **ADJUST BLADE** to the trimming position by setting the blade angle control, on the L.H. side of machine all the way down to its lowest position. The blade should be horizontal.
3. Check guards to make certain all are tightened securely. Also, check blade for sharpness and correct torque on mounting spindle. Proper torque should be 20 ft. lbs.
4. Replace the spark plug wire and start engine according to "OPERATE ENGINE AS FOLLOWS:" on the preceding column.
5. Position the EDGER/TRIMMER to begin work.
6. Engage and adjust blade to desired cutting position by moving blade control to the desired position.

## SERVICE PARTS & ASSISTANCE

To retain the original quality of your Edger/Trimmer, use only genuine **SNAPPER** replacement parts. Specify the model and serial number as found on the nameplate of your Edger/Trimmer when contacting your **SNAPPER** Dealer for parts of service assistance. Only numbers of certain routine service parts are listed in this manual. Your **SNAPPER** Dealer has a complete listing of all components. For engine parts, look for the engine manufacturer's dealers under the heading ENGINES - gasoline in the yellow pages of your telephone directory. **SNAPPER** Dealers are listed under LAWN MOWERS.

## WARNING

MAKE CERTAIN ENGINE IS OFF, BLADE DISENGAGED AND SPARK PLUG WIRE REMOVED BEFORE ATTEMPTING ANY SERVICE OR ADJUSTMENTS TO THE **SNAPPER EDGER/TRIMMER**.

**SERVICE NOTE:** Since an edger/trimmer normally operates under dusty or dirty conditions, the air cleaner, engine oil and cooling fins must be serviced as specified in the engine manual at frequent intervals. The edger/trimmer should be serviced as follows:

# SERVICE

## EDGER/TRIMMER LUBRICATION

The **SNAPPER EDGER/TRIMMER** has three (3) lubrication fittings on the L.H. side of the machine. These lubrication points should be serviced weekly with good grade G.P. grease to assure safe, trouble-free operation the Edger/Trimmer. Grease levers twice a year. Oil controls and control cables as required.

## EDGER/TRIMMER BLADE SERVICE BLADE REMOVAL/REPLACEMENT

1. Remove blade by holding the spindle with a 3/4" boxed end wrench while removing the blade retaining nut with a 3/4" socket wrench. See Figure 5.

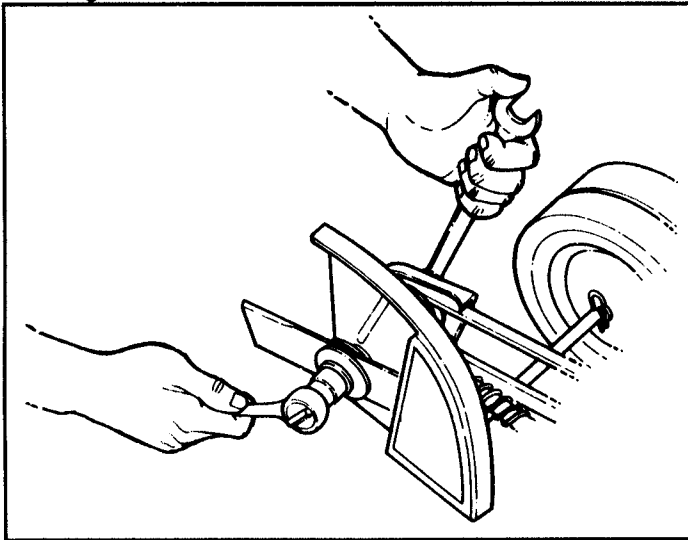


FIGURE 5

2. Replace blade according to sequence in Figure 6. When tightening blade, make certain proper torque of 20 ft. lbs. is achieved before any operation of the **SNAPPER EDGER/TRIMMER** is attempted.

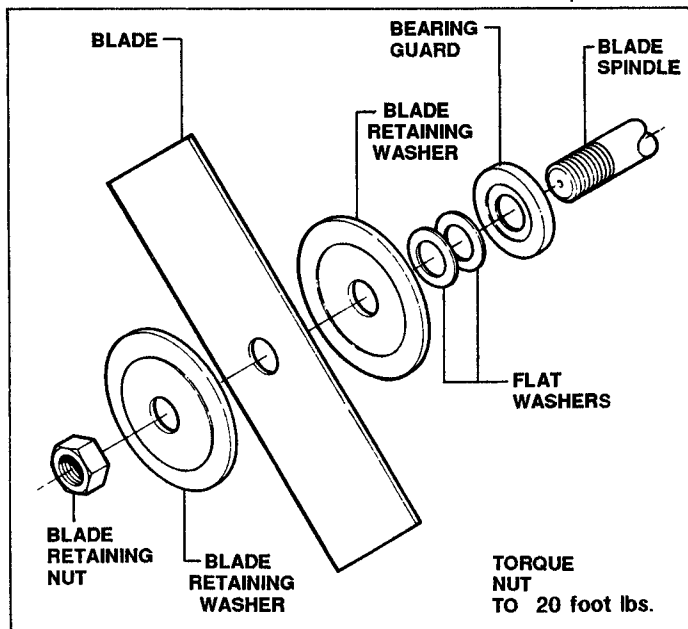


FIGURE 6

## BELT ADJUSTMENT - REPLACEMENT

### WARNING

MAKE CERTAIN ENGINE IS OFF, BLADE DIS-ENGAGED AND SPARK PLUG WIRE IS REMOVED BEFORE ATTEMPTING ANY SERVICE OR ADJUSTMENTS TO THE **SNAPPER EDGER/TRIMMER**.

1. Proper belt adjustment is achieved by observing the following conditions and adjustment procedures.
2. Disengage blade by placing blade control in its disengaged position. See Figure 7.

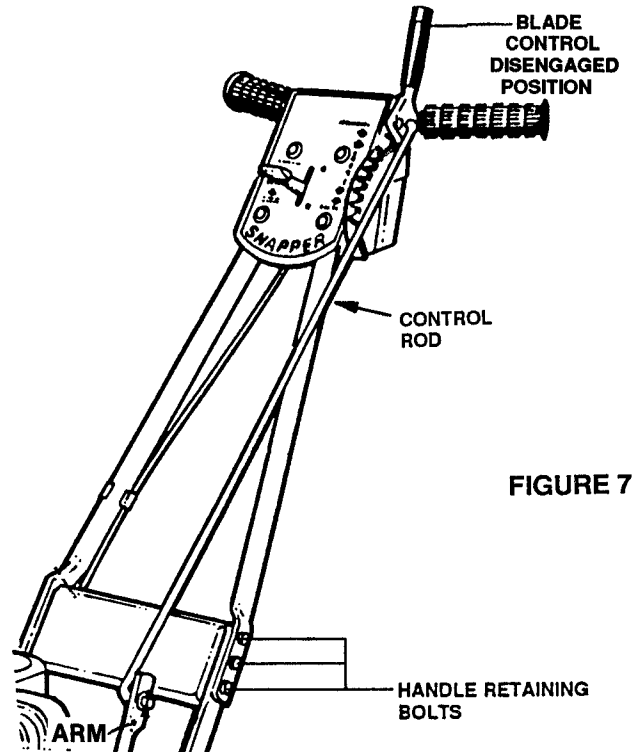


FIGURE 7

3. Remove spark plug wire from spark plug and place under the spark plug retaining clip, located on the head of the engine. See Figure 8.
4. Move to the R.H. side of the machine, grasp the ROPE STARTER HANDLE and pull with a smooth, even motion.

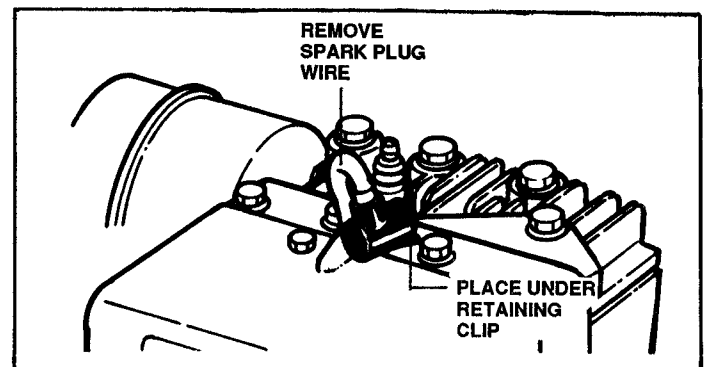


FIGURE 8

# SERVICE

5. While pulling the ROPE STARTER, watch the belt for any rotational movement. If any movement of belt is observed, make the following adjustments to the BLADE CONTROL. Refer to Figure 7.

- (a) Loosen the six handle retaining bolts.
- (b) Place BLADE CONTROL in disengaged position.
- (c) Place foot on front wheels to hold wheels down.
- (d) Push handle bars back (to take slack out of control rod and arm) and hold in this position while retightening the handle retaining bolts.

6. Pull ROPE STARTER observing for belt rotation. If belt rotation persists, make the following adjustment.

- (a) Loosen the drive pulley guard retainer bolts. Adjust the guard to relieve any tension on the drive belt. See Figure 9.

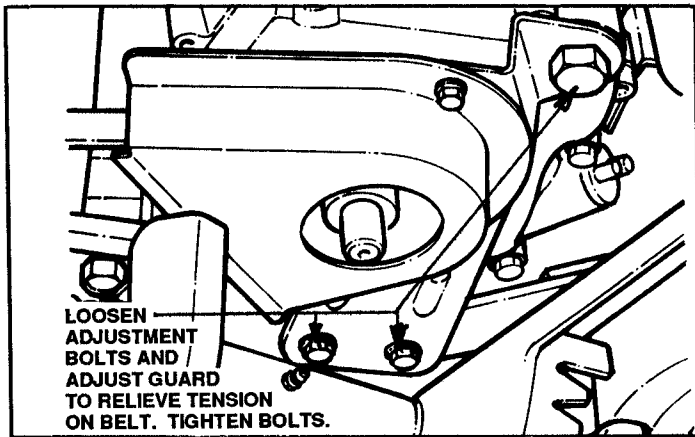


FIGURE 9

7. Tighten retainer bolts. Pull rope starter and observe any belt rotation. If again rotation persists, readjust belt guard as described above.

## BELT REPLACEMENT

- 1. Disengage blade by placing BLADE CONTROL to its disengaged position.
- 2. Remove spark plug wire and place under the spark plug wire retainer clip, located on the head of the engine. Refer to Figure 8.
- 3. Remove the drive pulley cover. See Figure 10.

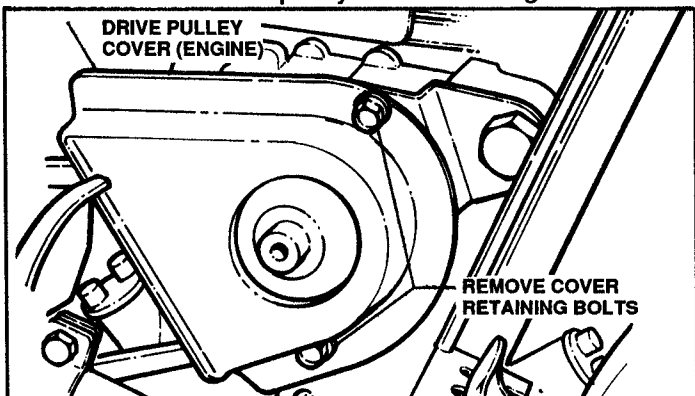


FIGURE 10

4. Remove the driven pulley cover. See Figure 11.

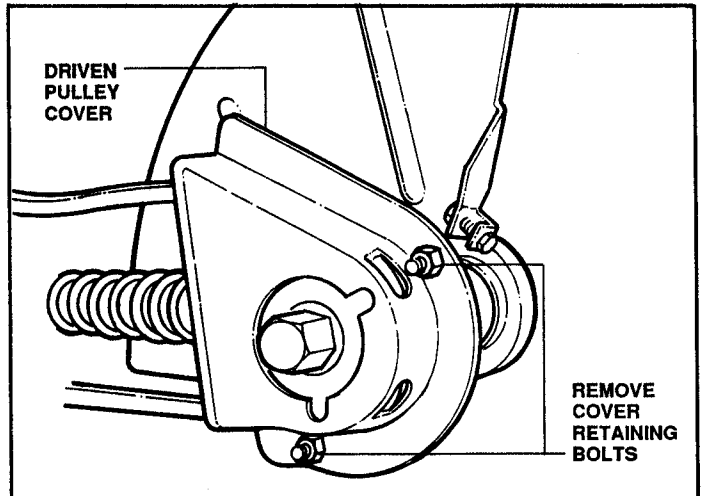


FIGURE 11

5. Remove belt from pulleys and replace with new belt. **SNAPPER** Part Number 2-3226. Replace covers.

## BLADE BELT STOP

**EDGER BLADE MUST STOP WITHIN 5 SECONDS AFTER DISENGAGING!!** Check frequently!

### WARNING

MAKE SURE ENGINE IS OFF AND SPARK PLUG WIRE IS DISCONNECTED BEFORE CHECKING OR ADJUSTING BLADE BELT STOP.

1. **ADJUSTING BLADE BELT STOP**

- (a) Engage blade and, using feeler gauge, check clearance between belt and "STOP TABS". Clearance should be .030". See Figure 12.

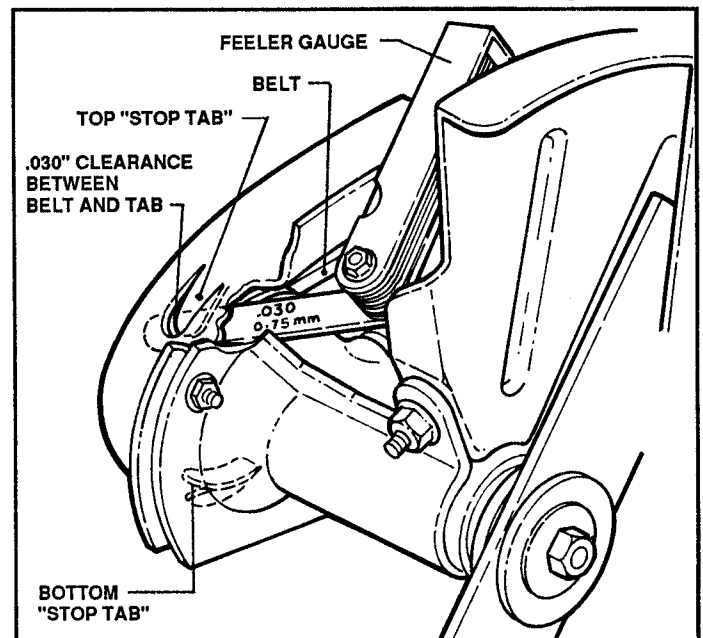


FIGURE 12

- (b) Adjust clearance by pushing tabs "IN" or "OUT".
- (c) After adjusting, check to make sure clearance is .030".



## EDGER/TRIMMERS

### ACCESSORY

- Your Edger/Trimmer can be converted to an even more versatile edging and trimming tool with the addition of the optional Curbing Kit. Contact your **SNAPPER** Dealer for complete information on this kit.

### OFF-SEASON STORAGE

Thoroughly clean all external surfaces and blade before storing the Edger/Trimmer. However, the following steps must be taken before long term storage.

1. Drain gasoline from fuel system and drain the engine crankcase oil. (Refer to **ENGINE MANUAL** for details).
2. At the start of the new season, replenish engine crankcase oil and add gasoline to the fuel tank after returning the Edger/Trimmer to its wheels.
3. Before starting, move the **ENGINE CONTROL** to **STOP** and pull rope starter slowly several times. If excessive resistance is felt, remove the spark plug and pull rope starter rapidly to spin the engine and clear oil from the cylinder. Clean and reinstall the spark plug before attempting to start the engine.

### MANUFACTURER'S 2 YEAR LIMITED WARRANTY

For two (2) Years from purchase date for the original purchaser's residential, non-commercial use [ninety (90) days from purchase date for the original purchaser's commercial, rental, or other non-residential use], **SNAPPER POWER EQUIPMENT**, through any **SNAPPER** dealer will replace, free of charge, any part or parts found upon examination by the factory at McDonough, Georgia to be defective in material or workmanship or both.

All transportation cost incurred by the purchaser in submitting material to a **SNAPPER** dealer for replacement under this warranty must be borne by the purchaser.

This warranty does not apply to engines and their components, as these items are warranted separately by their manufacturers, and does not apply to batteries which are covered separately.

This warranty does not apply to parts that have been damaged by accident, alteration, abuse, improper lubrication, normal wear, or other cause beyond our control.

There is no other express warranty.

Implied warranties, including those of merchantability and fitness for a particular purpose, are limited to two (2) years from purchase date for the original purchaser's residential, non-commercial use [ninety (90) days from purchase for the original purchaser's commercial, rental or other non-residential use], and to the extent permitted by law any and all implied warranties are excluded. This is the exclusive remedy. Liabilities for consequential damages, under any and all warranties are excluded.

Some states do not allow limitations on how long an implied warranty lasts, or do not allow the exclusion or limitation of incidental or consequential damages, so the above limitation or exclusion may not apply to you.

This warranty gives you specific legal rights, and you may also have other rights which vary from state to state.

**WARNING: THE USE OF REPLACEMENT PARTS OTHER THAN GENUINE SNAPPER PARTS MAY IMPAIR THE SAFETY OF SNAPPER PRODUCTS AND WILL VOID ANY LIABILITY AND WARRANTY BY SNAPPER ASSOCIATED WITH THE USE OF SUCH PARTS.**

**IMPORTANT:** Please fill out the attached **SNAPPER** Product Registration Card immediately and mail to: **SNAPPER POWER EQUIPMENT, McDONOUGH, GEORGIA 30253**



**SNAPPER POWER EQUIPMENT**  
McDonough, GA • 30253

