

## FAB28RDB

### 50's Retro style

Smeg FAB 28 refrigerator-freezer right-hand hinge

EAN13: 8017709165246

denim

1510mmH x 600mmW x 732mmD (includes handle)

refrigerator capacity: 222 litre net

freezer capacity: 26 litre net

total 256 litre net

refrigerator: automatic defrost

freezer defrost: manual — retractable drip funnel

adjustable thermostat

tropical rating

#### refrigerant

R600a - 0.0227kg

#### Standard inclusions

##### refrigerator

5 x bottle chromed wine rack

4 x crystal glass quick-chill shelves

13 x shelf height adjustments

1 x crystal glass floor/crisper cover (removable)

1 x large, full-width clear crisper drawer

1 x clear meat keeper

##### inside door

6 x clear insert containers, includes:

4 x multi-purpose half-width containers

2 x fully-lidded dairy containers

2 x full-width bottle shelf with restrainer

2 x eight-place egg nests

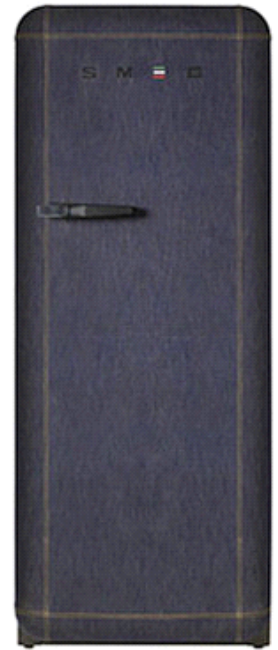
4 x chromed safety rails (removable)

6 height positions

##### freezer

1 x ice cube trays

##### warranty



two years on parts and labour

limited five year warranty on evaporator, condenser and compressors

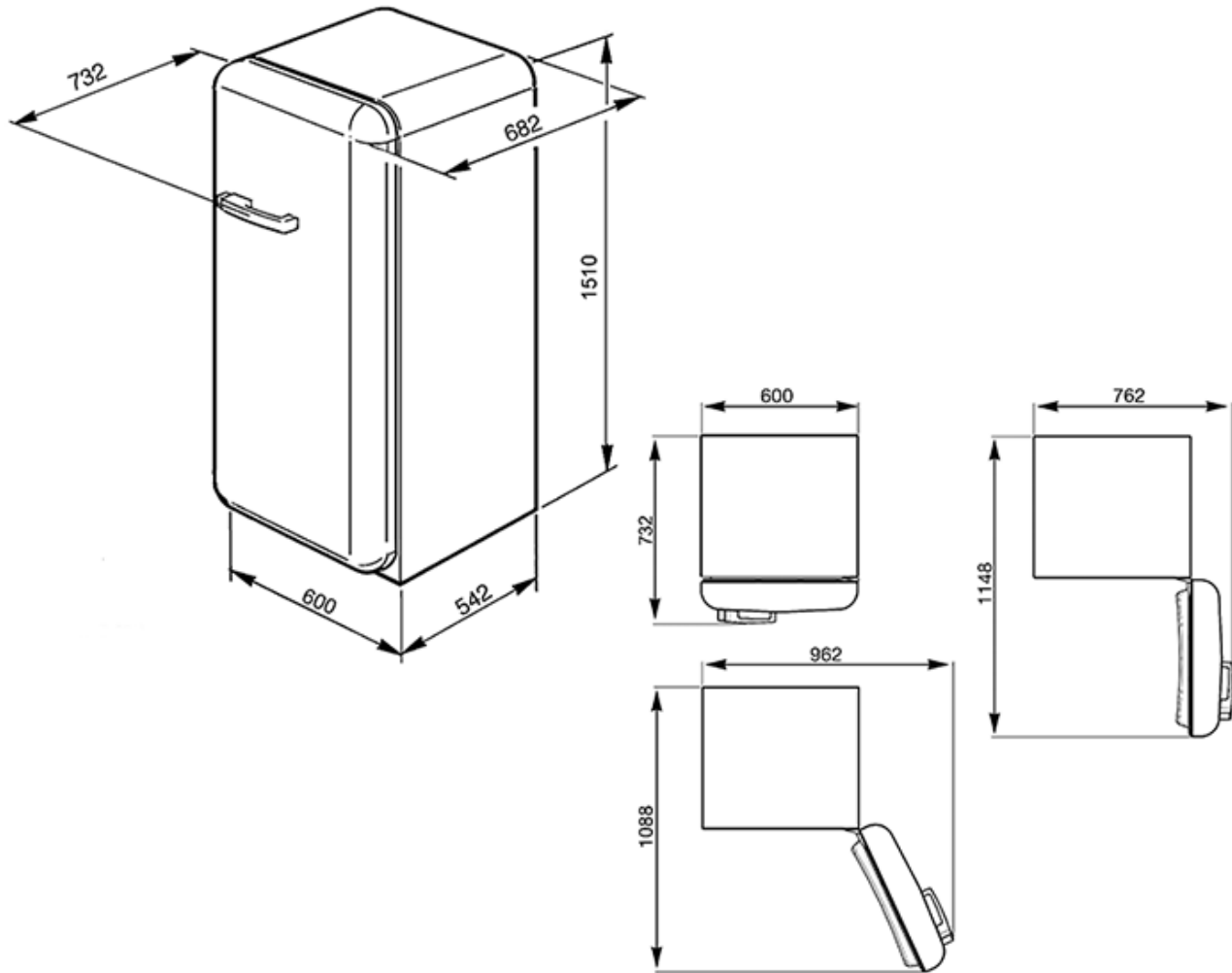
**Smeg Australia**  
**2 Baker ST, Banksmeadow**  
**NSW 2019**  
**Tel. 8667 4888**  
**Fax 8667 4800**



# FAB28RDB

50's Retro style

refrigeration  
coloured  
denim



Smeg Australia  
2 Baker ST, Banksmeadow  
NSW 2019  
Tel. 8667 4888  
Fax 8667 4800