

# **INSTRUCTIONS FOR USE**

**BEFORE USING THE APPLIANCE**

**SAFEGUARDING THE ENVIRONMENT**

**PRECAUTIONS AND GENERAL  
RECOMMENDATIONS**

**KNOW YOUR APPLIANCE**

**MAINTENANCE AND CLEANING**

**SERVICE**

**ELECTRICAL CONNECTION**

# BEFORE USING THE APPLIANCE

- Your new appliance is designed exclusively for domestic use

**To get the most out of your new appliance, read the user handbook thoroughly. The handbook contains a description of the appliance and useful tips for storing food. Keep this handbook for future consultation.**

1. After unpacking, make sure that the appliance is undamaged and that the door closes properly. Any damage must be reported to your dealer within 24 hours after delivery of the appliance.
2. Wait at least two hours before switching the appliance on in order to ensure the refrigerant circuit is fully efficient.
3. Installation of the appliance and electrical connections must be carried out by a qualified electrician, in accordance with the manufacturer's instructions and local safety regulations
4. Clean the inside of the appliance before using it.

# SAFEGUARDING THE ENVIRONMENT


## 1. Packing

The packaging material is entirely recyclable, and marked with the recycling symbol. Follow local regulations for scrapping. Keep the packaging materials (plastic bags, polystyrene parts, etc.) out of reach of children, as they are potentially dangerous.

## 2. Scrapping

The appliance is manufactured using recyclable material.

This appliance is marked according to the European directive 2002/96/EC on Waste Electrical and Electronic Equipment (WEEE). By ensuring this product is disposed of correctly, you will help prevent potential negative consequences for the environment and human health, which could otherwise be caused by inappropriate waste handling of this product.

The symbol  on the product, or on the documents accompanying the product, indicates that this appliance may not be treated as household waste. Instead it shall be handed over to the applicable collection point for the recycling of electrical and electronic equipment.

Before scrapping, make the appliance unusable by cutting off the power cable and removing the doors and shelves so that children cannot easily climb inside the appliance.

Disposal must be carried out in accordance with local environmental regulations for waste disposal. Deliver the appliance immediately to an authorized dump; do not leave it unattended even for a few days, since it is potentially dangerous for children. For more detailed information about treatment, recovery and recycling of this product, please contact your local city office, your household waste disposal service or the shop where you purchased the product.

## Information:

This appliance does not contain CFCs (replaced with R134a) or HFCs (replaced with R600a).

Appliances with Isobutane (R600a): isobutane is a naturally occurring, low environmental impact gas. Caution is required, however, because isobutane is flammable. Therefore, it is essential to ensure that refrigerant pipelines are not damaged.

## Declaration of conformity

- This appliance is designed to store food and is manufactured in conformity with EEC directives No. 90/128//EEC, 02/72//EEC and European regulation EC 1935/2004.



- This appliance is designed, manufactured, and retailed in compliance with:
  - the safety objectives of the Low Voltage Directive 73/23/EEC;
  - the protection requirements of the "EMC" Directive 89/336/EEC amended by Directive 93/68/EEC;
- the electrical safety of the appliance can only be guaranteed if the product is connected to an approved earth connection.



# PRECAUTIONS AND GENERAL RECOMMENDATIONS


- Use the refrigerator compartment only for storing fresh food and beverages and use the freezer compartment only for storing frozen food, freezing fresh food and making ice cubes.
- After installation, make sure that the appliance is not standing on the power supply cable.
- Do not store glass containers with liquids in the freezer since they may burst.
- Do not eat ice cubes or ice lollies immediately after taking them out of the freezer since they may cause cold burns.
- Before carrying out any maintenance or cleaning, always unplug the appliance or disconnect the power supply.
- Make sure that the appliance is not near a heat source.
- Do not store or use gasoline or other flammable vapours and liquids in the vicinity of this or any other appliance. The fumes can create a fire hazard or explosion.
- To ensure proper ventilation, leave a gap on both sides and above the appliance.
- Ensure that the vent outlets on the appliance casing or housing unit are unobstructed in order to allow correct air circulation.
- All appliances equipped with an ice maker or water dispenser must be connected to a mains water supply that delivers potable water only (with water pressure between 1.7 and 8.1 bar (25 and 117 PSI)). Ice makers and/ or water dispensers not directly connected to a mains water supply must be filled with potable water only.
- Install and level the appliance on a floor strong enough to take its weight and in an area suitable for its size and use.

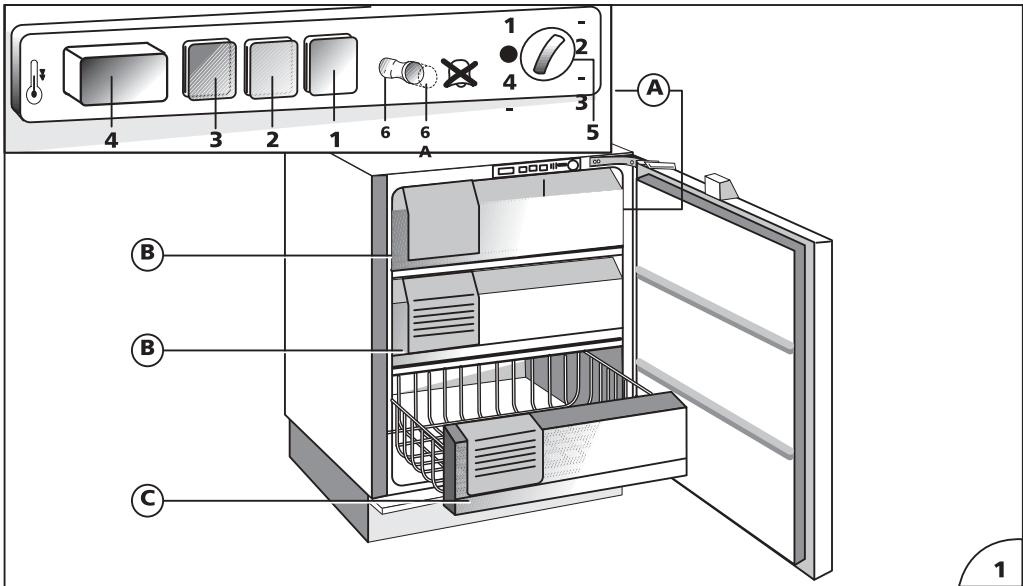
- Install the appliance in a dry and well-ventilated place. The appliance is set for operation at specific ambient temperature ranges, according to the climatic class indicated on the data plate: The appliance may not work properly if it is left for a long period at a temperature above or below the indicated range.

Climatic class	Amb. T. (°C)	Amb. T. (°F)
SN	From 10 to 32	From 50 to 90
N	From 16 to 32	From 61 to 90
ST	From 18 to 38	From 64 to 100
T	From 18 to 43	From 64 to 110

- Be careful not to damage the floors when you move the appliance (e.g. parquet flooring).
- Do not use mechanical devices or any means other than those recommended by the manufacturer to speed up the defrosting process.
- Do not damage the refrigerant circuit.
- Do not use electrical appliances inside the freezer compartments, unless such appliances are specifically recommended by the manufacturer.
- This appliance is not designed for use by young children or the infirm.
- To avoid the risk of children being trapped and therefore suffocating, do not allow them to play or hide inside the appliance.
- The power cable may only be replaced by an authorized person.
- Do not use extension leads or adapters.
- It must be possible to disconnect the appliance from the mains by unplugging it or by means of a two-pole switch fitted upline of the socket.
- Ensure that the voltage indicated on the appliance data plate corresponds to the domestic supply voltage
- Do not swallow the contents (non-toxic) of the ice packs (if provided).

# KNOW YOUR APPLIANCE

The appliance you have just bought, marked by the  symbol, allows the freezing - in of fresh and cooked food, the production of ice cubes and the storage of frozen food. Please read these instructions carefully, as they include a description of your appliance and the useful hints to enable you to achieve the best performances required to freeze fresh food and to store already frozen food.



## DESCRIPTION OF THE APPLIANCE (Fig. 1)

### A) Control panel

1. Operation control lamp (green light)
2. Temperature control lamp (red alarm light) with acoustic signal
3. Fast freeze control lamp (yellow light)
4. Fast freeze switch
5. Temperature control knob (thermostat)
6. Open door alarm switch

### B) Baskets (freezing - in and storage baskets)

### C) Storage basket only.

Some models are supplied with containers filled with cooling liquid (eutectics): remove them from the back of the basket (C) and position them next to each other inside the basket.

## INSTALLATION

Ensure that the appliance is not damaged. Transit damages must be reported to your dealer within 24 hours of receipt of the appliance. The appliance should not be installed close to heat sources such as cookers, central heating, boilers, sunlight, etc. It must however be located in a well ventilated dry space. If the following type of installation cannot be avoided, respect these side distances:

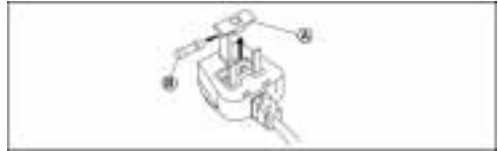
- a) between appliance and oil or coal stoves: 30 cm minimum.
- b) between appliance and gas or electric cooker: 3 cm minimum.

The appliance must stand on a stable and level surface: install it following the instructions given on the rear of the template, delivered with the appliance. Leave the appliance to stand for two hours before connecting it to the electricity supply. We suggest that during this time the interior is cleaned with a sponge dampened in a solution of water and vinegar, after which the baskets can be fitted into the appliance.

**Attention:** Accessibility to the plug has to be guaranteed even after installation of the appliance to disconnect it, if required. Alternatively, connect the appliance to the mains by means of a two-pole switching device with contact separation of 3 mm situated in an accessible position.

## ELECTRICAL CONNECTION AND OPERATION

Please check that the voltage indicated on the rating plate situated inside the compartment corresponds to the voltage in your home. **The earthing of this appliance is compulsory by law. The manufacturer will accept no liability for injury to persons or damage to objects arising from the non observance of this requirement.**



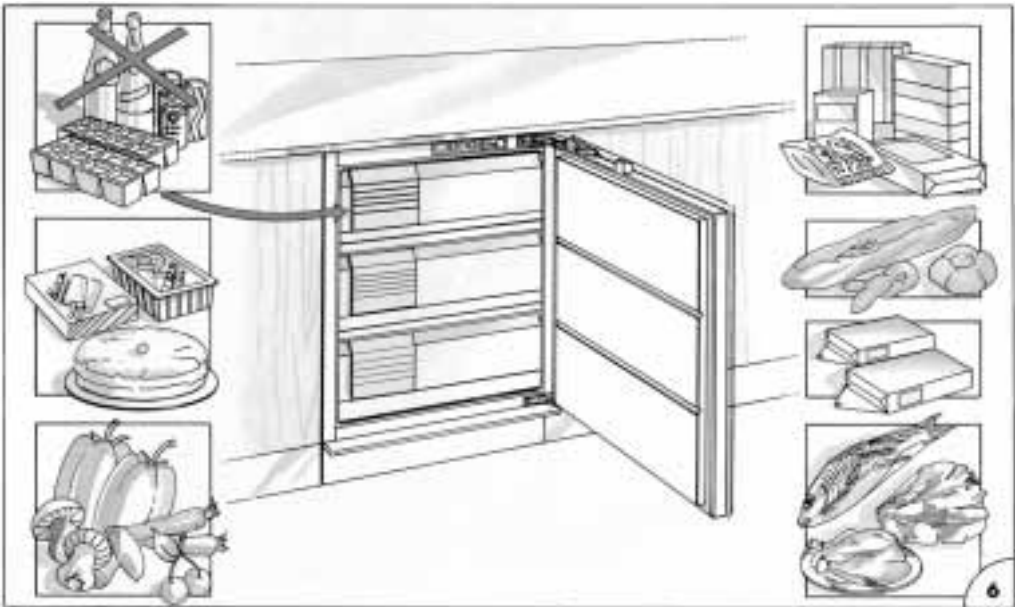
When the appliance is plugged in, if the thermostat knob is not set to symbol ●, the green and the red lamps (1) and (2) (Fig. 1) light up and the temperature acoustic alarm sounds. The green control light always remains alight and indicates the operation of the appliance. The red control light remains alight until the set operation temperature has been attained. It lights up again when the temperature inside the freezer rises due to frequent or prolonged door opening, and when the appliance has been loaded with fresh food to be frozen. In this case, switch on the fast freeze facility until the red control light goes off. The acoustic signal indicates that the red control light is alight. It stops when the red control light goes off or when the fast freeze facility is switched on (yellow control light on).

## ADJUSTMENT OF THE TEMPERATURE

The thermostat (Fig. 1) controls the temperature inside the appliance. Position ● indicates that the operation of appliance is interrupted. The ideal storage temperature of frozen food for a long time is  $-18^{\circ}\text{C}$ . In normal ambient conditions (temperature between  $+20^{\circ}\text{C}$  and  $+25^{\circ}\text{C}$ ), we suggest you adjust the thermostat control knob to a middle position. To obtain colder or warmer temperatures than  $-18^{\circ}\text{C}$ , turn the thermostat control knob to the highest or lowest setting respectively. We remind you that internal temperatures are affected by the location of the appliance, the temperature of the surrounding air, the frequency of the door opening. The setting of the thermostat may have to be varied to allow for these factors. To check the temperature of the food stored, place the thermometer (if delivered) under the food; if it is placed on the food it will indicate the temperature of the air which does not correspond to that of the food stored.

## USE OF THE FREEZER COMPARTMENT

This appliance is equipped with an acoustic alarm which sounds when the door is left open. In case of prolonged door opening, to stop the alarm pull switch (6) (Fig.1).



## **FREEZING IN (Fig. 6)**

The amount of fresh food which can be frozen in a 24 hours period at an ambient temperature of +25° C is stated on the rating plate.

To freeze the maximum quantity of foods allowed, switch on the fast freeze facility (4) (yellow light on) 24 h prior to loading the foods, which should be positioned directly on the grid without using the baskets.

At completion of the freezing-in operation, switch off the fast freeze facility (yellow light off).

The freezing-in time diminishes for loads less than the maximum.

Very small loads can be frozen without switching on the fast freeze facility.

Do not store warm foods in the freezer. Never re-freeze partially or completely defrosted foods.

Prepare and wrap foods to be frozen in aluminium or plastic foils or place them in appropriate containers. Label the packets indicating the freezing-in date and the contents. The freezer compartment maintains the storage temperature for 15 hours approx. even in case of power failure.

We suggest however you leave the door closed during this time.

Fizzy drinks should not be frozen and some products, such as flavoured water ices, should not be consumed too cold.

**Note:** Due to the efficiency of the door seal, it is not always possible to open the freezer door immediately after closing it. Wait some minutes before trying to open it.

## **PRODUCTION OF ICE CUBES**

3/4 fill the ice cube trays with water and place them in the low temperature compartment. If the trays stick to the bottom of the compartment, do not detach them with sharp or cutting instruments, which could damage the appliance. Use, if necessary, the handle of a spoon. To allow removal of ice cubes from plastic trays, bend them slightly.

**Attention:** Do not eat ice cubes or ice lollies immediately after removal from the low temperature compartment as they may give rise to cold burns.

## **STORAGE OF FROZEN FOOD**

When buying frozen food, it is suggested to use thermal bags or cold boxes. They should be the last purchases made and should be well wrapped in newspaper. When home, store them in the compartment, with the least possible delay. In any case these foods have to be used within the date printed on the packet.

## **THAWING**

Here are some basic suggestions:

**Raw vegetables:** Do not thaw - put straight into boiling water and cook as usually.

**Meat (large cuts):** Thaw in the refrigerator without unwrapping them. Before cooking, leave at room temperature for some hours.

**(Small cuts):** Thaw at room temperature or cook directly.

**Fish:** Thaw in the refrigerator without unwrapping or cook directly before being completely thawed.

**Previously cooked food:** Re-heat in the oven without removing from its aluminium container.

**Fruit:** Thaw in the refrigerator.

## **DEFROSTING**

Generally you need to defrost two or three times a year when the layer of frost reaches a 3 mm thickness. We suggest you periodically remove the frost from the freezing plate by means of a plastic scraper. Avoid using sharp or cutting instruments. Defrosting should be carried out when the quantity of food stored is minimum. If the appliance is not empty, to avoid the food thawing out during defrosting, switch on the fast freeze facility some hours prior to defrosting so that the food stored reaches the coldest temperature. Wrap the frozen food into several layers of newspaper (or in a cover) and place them in the refrigerator or in a cool place. Adjust the thermostat control knob to position ●, disconnect the appliance from the mains and leave the door open. Remove the baskets by pulling forward and up. Do not use commercial defrosting products as they could contain dangerous components. At completion of defrosting, clean and dry the appliance carefully. Reconnect the freezer to the mains supply and switch on the fast freeze facility. Reload the freezer with the frozen food. Two hours after the red control lamp switches off, switch off the fast freeze switch.

# MAINTENANCE AND CLEANING

A periodic and proper maintenance will ensure a longer life to your appliance. Disconnect the appliance from the mains supply before any intervention. Clean periodically the appliance with a solution of water and vinegar. Rinse and dry thoroughly. Never use abrasive or detergents. Clean periodically the door gasket with water and dry carefully. Avoid soiling the door gasket with oil or other grease which could damage it. After cleaning, reconnect the appliance to the mains supply.

## HINTS FOR HOLIDAYS

If you plan to be away for a long time, disconnect the appliance from the mains, empty and clean the inside. Leave the door open to prevent the appliance from smelling musty. If you plan to be away for a short time, let the appliance operate normally.

## SERVICE

The incorrect operation of the appliance is not always due to a fault but it may also result from poor installation or usage. To prevent unnecessary service calls for which you will be charged, we suggest you consult this trouble-shooting guide.

**1. If the red light is on continuously or flashing, the internal temperature is too high.** Check that:

- the door is not properly shut;
- the thermostat control knob is correctly set (see chapter "Adjustment of the temperature");
- the freezer is not near a source of heat;
- there is a large build up of frost on the inner walls;
- the air flow is not restricted.

If your appliance is fitted with a drawer situated on the bottom left hand side (**Fig. 11**), we suggest you remove it and you clean the inside with a soft brush.

**2. If the compressor functions continuously.** Check that:

- the fast freeze switch is turned off;
- the ambient temperature is too warm;
- the door is not being opened too frequently.

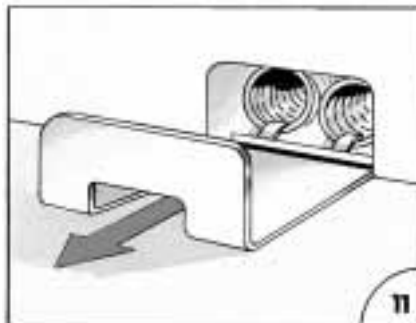
**3. The appliance is excessively noisy.** Check that:

- the appliance is level.

**4. The appliance does not operate.** Check that:

- the thermostat control knob is not set to position ●;
- there is not a power failure;
- the plug is making good contact with the supply socket;
- any automatic circuit breakers have tripped or any fuses blown;
- the supply cable is intact (see also Note).

**Note:** When replacing a damaged supply cord, be sure the new cord is correctly clamped. If you have followed this trouble shooting guide and your freezer still does not work properly, get in touch with your Retailer or Service Agent. State clearly what is wrong and the type and serial number of your freezer.



# ELECTRICAL CONNECTION

## 1) For Great Britain only

**Warning - this appliance must be earthed**

### Fuse replacement

If the mains lead of this appliance is fitted with a BS 1363A 13amp fused plug, to change a fuse in this type of plug use an A.S.T.A. approved fuse to BS 1362 type and proceed as follows:

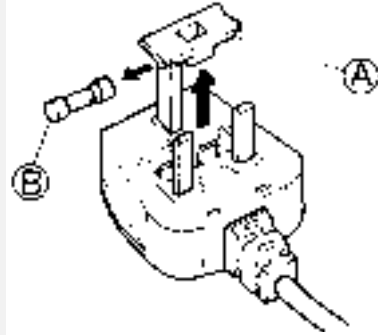
1. Remove the fuse cover (A) and fuse (B).
2. Fit replacement 13A fuse into fuse cover.
3. Refit both into plug.

### Important:

The fuse cover must be refitted when changing a fuse and if the fuse cover is lost the plug must not be used until a correct replacement is fitted.

Correct replacement are identified by the colour insert or the colour embossed in words on the base of the plug.

Replacement fuse covers are available from your local electrical store.



## 2) For the Republic of Ireland only

The information given in respect of Great Britain will frequently apply, but a third type of plug and socket is also used, the 2-pin, side earth type.

## 3) Socket outlet / plug (valid for both countries)

If the fitted plug is not suitable for your socket outlet, please contact Whirlpool Service for further instruction. Please do not attempt to change plug yourself. This procedure needs to be carried out by a qualified Whirlpool technician in compliance with the manufactures instructions and current standard safety regulations.