

DIPLOMAT

*How to get the
most from your
Fully Integrated Dishwasher*



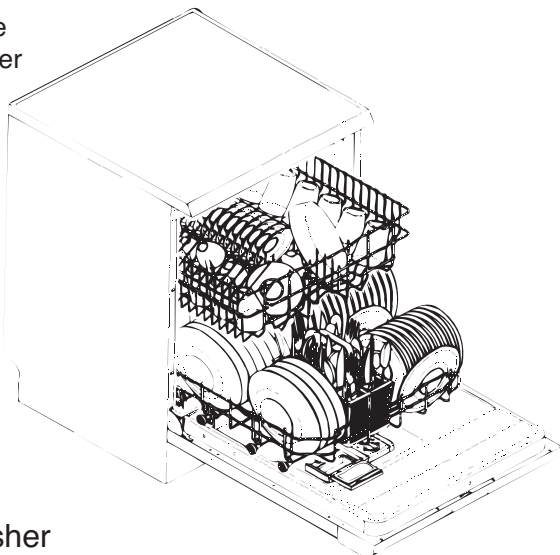
ADP 8252

• D I S H W A S H E R •

● ***A Helping Hand on the Home Front***

From now on washing dishes, glassware, cutlery and saucepans should be as simple as loading your dishwasher and switching on.

We strongly recommend you take the time to read this leaflet fully from cover to cover. It may seem like a chore, but it'll pay off in the long run.



Contents

Page No.

- **1, 2 & 3** Installation
- **4 & 5** Loading
- **6** Your Dishwasher
- **7** Detergent and Rinse Aid Dispenser
- **8** Water Softener
- **9 & 10** The First Wash
- **11** Table of Programs
- **12** Cleaning and Maintenance
- **13** How to Deal with Small Problems
- **14** General and Technical Details
- **15 & 16** Not Working Properly?
- **17** Electrical Connections
- **18** 12 Month Guarantee

Your brand new dishwasher complies with stringent EEC specifications and is fully compatible with any 600mm deep kitchen units. If you are reasonably handy at DIY, installing your dishwasher should be relatively straight forward as long as you stick to the following guidelines. If you have any doubts about installing this product we suggest you seek professional advice.

IMPORTANT

The electrical supply, water supply and drain should NOT be positioned directly behind the appliance. When the appliance is located and fixed in position it must be possible to switch off and disconnect both electrical and water supplies.

Connection to a Water Supply

Your dishwasher has been specially designed to heat its own water. This means that you'll only have to pay to heat water actually consumed by the appliance. What's more, the dishwashing process itself is designed with economy in mind. Within each cycle, hot water is filtered and re-circulated many times before being expelled as waste.

We recommend that your dishwasher is permanently plumbed in to the cold water supply. To do so, connect the pipe with its 3/4" BSP female connector to a suitably threaded tap. Always run water through the pipe before connection to remove any debris. Ensure that there are no kinks in the tube and always fit the black rubber filter supplied with the dishwasher at the appliance inlet connection.

Connection to Waste Pipe

The discharge hose is at the back of your dishwasher. On no account shorten this pipe and always ensure it hangs vertically.

Plumb the pipe into a waste outlet between 320 and 800mm above floor level. This outlet should be at least 40mm in diameter, providing an air break, and ensuring an efficient flow of water.

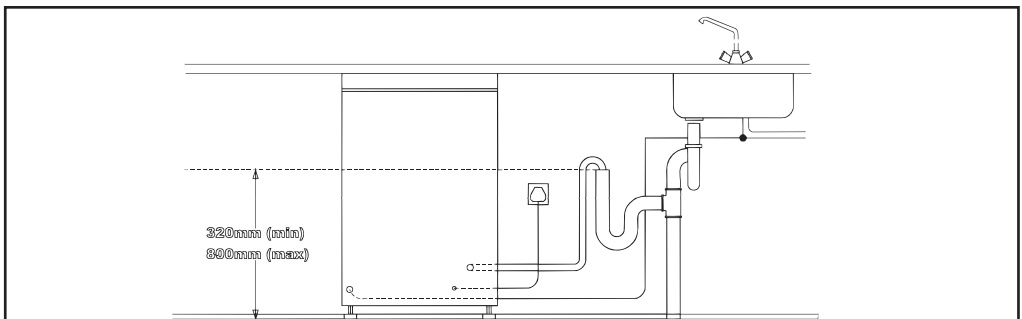
On no account seal the waste pipe as this can create a suction effect in the wrong direction. Plumb in your dishwasher as illustrated below.

Capacity

Your dishwasher has a capacity of 12 full place settings. That's 12 of everything-dinner, soup, side and dessert plates plus the accompanying cutlery and selection of saucepans, so you shouldn't be short of space.

Before you start

Check the salt rinse-aid levels and make sure that you've added sufficient detergent.



● Installation cont...

● Stage 1

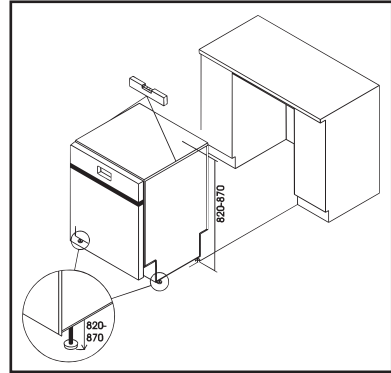
Supplied with the appliance is a metal anti-condensation strip, this should be fixed to the underside of your worktop along the front edge (via the two outer screws). Also supplied with the appliance are two plastic skids, which should be positioned below the adjustable feet and allow the appliance to be positioned easily.

The adjustable feet of the appliance allow it to be raised up to 870mm, if the space between the floor and the underside of the work surface is greater than 870mm, then the appliance should be positioned on suitable wooden spacers which should always be fixed to the floor. Always use a spirit level to make sure that the appliance is level.

After positioning the appliance, screw the feet in or out to adjust its height if necessary, and to level it until horizontal.

Proper levelling ensures that the dishwasher gives the best service.

If the appliance is installed on a carpeted floor, take care that the openings in its base are not obstructed.

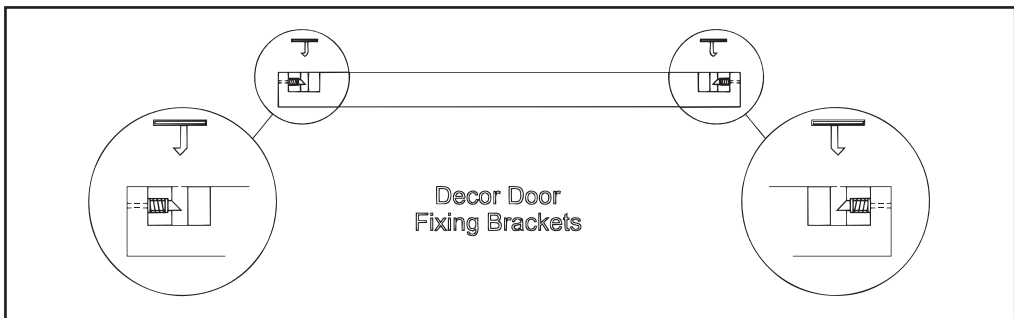


● Stage 2

Connect the water, drain and electrical supplies (230V 50Hz 13A). We recommend that the appliance is connected to a cold water supply.

● Stage 3

Measure the width of the decor door. Align the top of the template on the rear of the door approximately 10mm above the top of the door. Using the dimensions marked on the template align the dimensions of the decor door with corresponding dimensions on the right hand side of the template. Mark through the identified position of the side fixing bracket with a bradawl. Repeat this process for the left hand side fixing bracket (ensure the left handside dimension of the template is aligned with the width of the decor door previously measured). Align the fixing bracket over the pre-marked holes and secure in position with the screws provided.

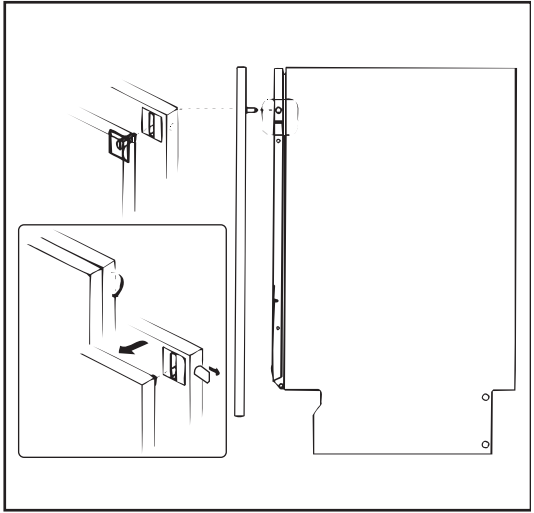


● **Installation cont...**

● **Stage 4**

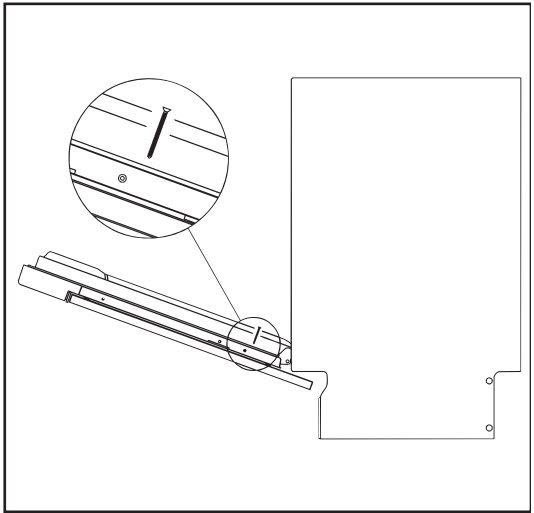
Position the decor door onto the front of the dishwasher by locating the brackets into the two mouldings mounted either side on the top of the door.

NOTE: to remove the door a small plastic tool is provided. This should be inserted into the small black mouldings on the side of the door, rotated and pulled away from the appliance. The decor door can now be removed from the appliance.



● **Stage 5**

Align the top of the decor door with adjacent cabinets. Gently open door whilst supporting the lower half of the door. Once in the lowered position fix the lower fixing screws as shown in the diagram.



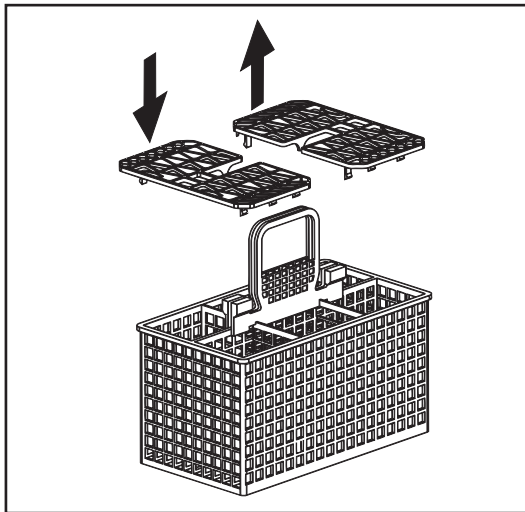
● **Stage 6**

The dishwasher should now be screwed to the underside of the worktop, via the two outer fixing holes in the top trim.

The dishwasher has a capacity of 12 place-settings including serving dishes. Before loading the dishes, remove the largest scraps of food to avoid blocking the filter. Very dirty pans or frying-pans must be soaked in water before they are placed in the dishwasher, to allow food waste to be removed more easily. Put pans in the bottom basket.

Loading the bottom basket

Thanks to the particular vigorous washing action of the bottom spray arm, the bottom basket is the right place for the dishes with the toughest dirt. It has supports for plates and a basket for cutlery of all kinds (if you have to wash only a little cutlery, just one basket can be used). The bottom basket can be filled with plates, soup dishes, dessert and serving dishes, pans and lids. Place the main course and dessert plates on the racks provided, taking care that there is always a gap between one plate and the next. They must always be vertical to allow the water to pass freely. Pans must always be upside down. All loading combinations and variations are possible, provided dishes and pans are placed so that all dirty surfaces are exposed to the jets of water from below, and the water is able to flow freely.



Loading the Top Basket

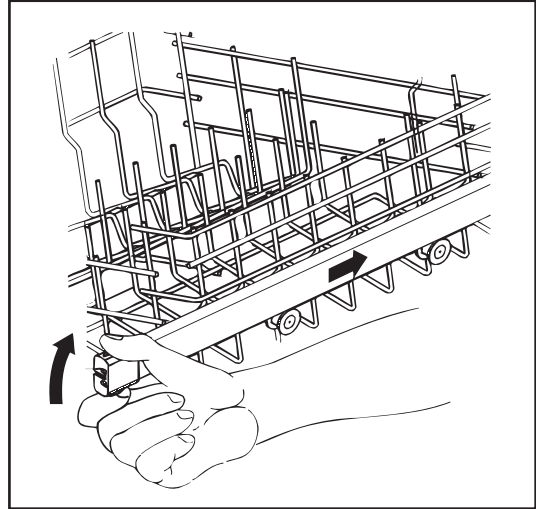
The top basket is intended to take only small and medium items such as glasses, small plates, coffee and tea cups, shallow bowls and light heat resistant plastic objects. When the top basket is used in the lower position, plates with light dirt can also be placed in it. Load plates with the top, and other recipients with the opening facing down. A few washes will give you experience of the best way to arrange cups and glasses in two layers. Large and small plates can be placed in the centre, in the supports provided.

Adjusting the Top Basket

The top basket can be in two different positions depending on the height of the dishes.

- Pull out the right-hand basket guide;
- remove the stop, first releasing it as shown in the diagram;
- push the guide to free the wheels;
- fit the upper or lower pair of wheels into the guide depending on the setting required;
- return the stop to its original position.

This will allow large diameter plates to be loaded into the bottom basket.



What not to Load

Some objects are best washed by hand. These include large silverware items, hand painted crockery, very soft plastics, antique porcelain and utensils with polished wood handles.

Since dishwasher detergents tend to be abrasive, "soft" glassware, cut glass, and lead-crystal ware should not be washed in the dishwasher.

These days, manufacturers often display the "Dishwasher Safe" stamp on items that are robust enough to cope with regular dishwashing.

If you ever hear knocking or a breaking noises during a cycle, stop the machine at once.

NEVER OPEN THE DOOR WHILST A CYCLE IS IN PROGRESS

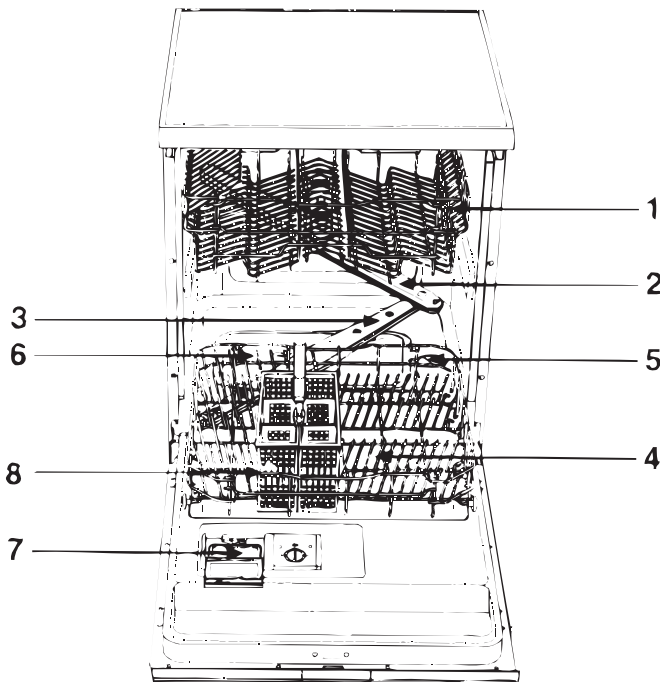
Having stopped the machine, wait 15 minutes to allow the crockery to cool down before opening the door to attend to any problem.

IMPORTANT NOTE

In the interest of general safety do not place long bladed knives in the cutlery basket. These items should be laid flat, so as not to cause potential accidental injury when unloading your dishwasher.

WARNING

After loading, ensure that both spray arms are free to rotate. We cannot accept responsibility for damage caused by incorrect loading.



- 1 Upper Basket
- 2 Upper Basket Spray Arm
- 3 Lower Basket Spray Arm
- 4 Lower Basket
- 5 Salt Container
- 6 Filters
- 7 Detergent Dispenser and Rinse Aid Container
- 8 Cutlery Basket

The detergent and rinse aid dispenser are on the inside of the door.

The detergent dispenser is on the left and the rinse aid dispenser is on the right.

Fill the dispenser with detergent before each wash.

Filling with detergent

To open the detergent dispenser press the button gently. The lid will spring out. Pour in the detergent and close the lid. The dispenser is opened automatically during washing. If the "super" programme is selected, as well as the usual dose of detergent, an extra amount will have to be added to the adjacent cavity which is also below the lid.

IMPORTANT: use only detergents specifically intended for dishwashers. The use of good detergents is important in obtaining the best washing results. If insufficient detergent is added, the dirt will not be completely eliminated, while excessive detergent does not increase the effectiveness of the wash, and may cause foam and pollution.

Adding rinse-aid

Open the cap of the dispenser and pour in the rinse-aid, watching the optical level indicator (Fig. 2).

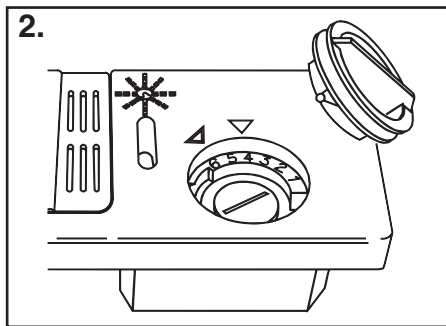
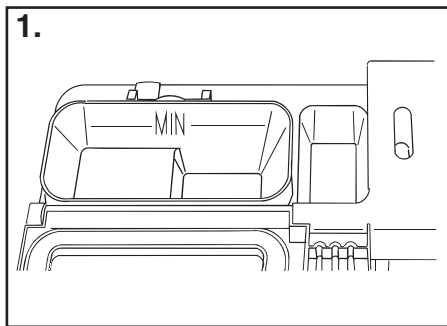
RINSE-AID LEVEL INDICATOR

- Dispenser full
- Dispenser empty

The rinse-aid dispenser is able to take about 140 c.c. of liquid. Before closing the cap or hatch, wipe away any spills of rinse-aid with a soft cloth.

The rinse-aid is added to the water automatically during the last rinse; it speeds up the drying process and prevents the formation of stains and scale deposits on the dishes.

To adjust the dosage, turn the selector on the dispenser to the desired position, the doses are proportioned to the numbers indicated (Fig. 2). Increase the dose if the washed dishes are dull or show round marks. If dishes are sticky or have whitish streaks, reduce the dose. The appliance leaves the factory with a mid-range setting.



The dishwasher is equipped with an automatic softener which uses regenerating salts specially developed for dishwashers to remove hardening substances from the water.

Hard water leaves whitish marks on the dry dishes, and dishes gradually lose their shine over time. The appliance is preset to dispense the right amount of salt on the basis of the hardness of the mains water.

N.B. The appliance leaves the factory with a medium setting (2).

IMPORTANT NOTE: users are asked to take great care to close the salt container carefully after filling. It is important that detergent, or water containing it, should not enter the salt container, since this would impair operation of the regeneration system. In this case, the warranty would no longer apply.

Filling with salt

Use only regenerating salt for household dishwashers. If salt pastilles are used, do not fill container completely.

There is a container on the bottom of the dishwasher into which the regeneration salt has to be poured. After taking out the bottom basket, unscrew the cap off by turning it anti-clockwise and pour in the salt using the funnel supplied with the dishwasher. Before unscrewing the cap back into place, remove salt residue from the opening of the container. The water softener contains about 1,7 kg of salt.

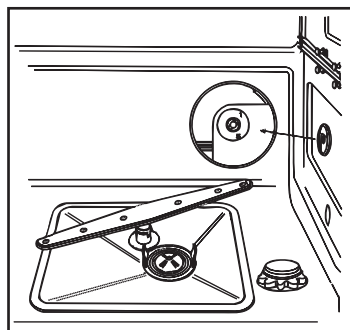
N.B. when the appliance is used for the first time, one litre of water has to be poured into the tank as well as the salt.

The salt container must always be topped up before a wash, so that any overflowing salt solution will be removed immediately by the water. If this solution is left inside the tank, it might cause corrosion.

Adjusting the water softener

The dishwasher is fitted with a device which allows adjustments to the level of hardness of the mains water. It is inside the plastic ring-nut on the right-hand side inside the dishwasher and allows setting 5 levels. Set the water softener after checking the hardness of your water in accordance with the table below.

WATER HARDNESS		SETTING
German degrees (°dH)	French degrees (°dF)	
0 ÷ 4	0 ÷ 7	N. 1 NO SALT
5 ÷ 9	8 ÷ 15	N. 1
10 ÷ 22	16 ÷ 37	N. 2
23 ÷ 29	38 ÷ 50	N. 3
30 ÷ 35	51 ÷ 60	N. 4
36 ÷ 41	61 ÷ 70	N. 5



Switching on

The dishwasher must not be turned on until the dishes have been loaded, the dispenser has been filled with detergent, a check has been made that the spray arms turn freely, and the door has been shut. The water tap must also be turned on and salt placed in the container.

To simplify programming and communication, the dishwasher is equipped with an "Information Display" (see diagram page 10).

- 6 Indicates the programme selected/delayed start/alarms.
- 7 Indicates that a delay has been set before the start of the programme.
- 8 No rinse aid warning light.
- 9 No regenerating salt warning light.
- 10 Indicates that an economy programme has been selected.

Setting the programme "P"

All programming operations are accompanied by a short beep to indicate reception; if you do not hear anything when a button is pressed, the programme selected does not provide this function. To select the most suitable programme for the dishes to be washed, **comply carefully with the table** in the manual which follows, **especially in the beginning**. This table lists the programmes available in relation to the type of dishes, their strength and resistance to temperature, and how dirty they are. With this fully integrated dishwasher, the washing programmes are selected with the door partly open. Once the most suitable programme has been identified, it is set by pressing the "**programme selection**" ("P") button until the corresponding number appears on the information display.

N.B.: "P0" on the display means that no washing programme has been selected. This indication remains on the display until the programme selection button is pressed, at this point the display will show the last programme carried out. Each time the button is pressed, the system will scroll through the programme numbers from that number onward.

Start-up

At this point, to start the dishwasher simply close the door. A double beep will inform you that the programme is starting.

Switch-off

The end of the washing programme is signalled by an on/off beeper and the appearance of "P0" on the display.

Deleting/Changing the Programme

To abort a programme in progress simply open the door and select programme "P0". When the door is closed, the dishwasher will force an early end to the programme.

To change a programme already in progress simply set the new number corresponding to the programme desired. When the door is closed, the dishwasher will automatically start the new programme.

Removing the dishes

It is better to wait at least 20 minutes after the end of the program before removing the dishes, so that they will be dry and not too hot.

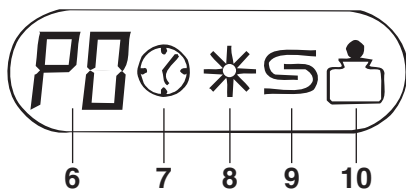
Empty the bottom basket first, so that any drops of water left in the top basket will not fall onto dishes still in the bottom one.

Programme Delay

Allows the start of washing programmes to be delayed by a **minimum of 1 hour to a maximum of 9**. This allows you to operate the dishwasher during the hours you prefer. When the "programme delay" button is pressed, the number of hours (9, 8,...1) will appear on the display, together with the "clock" symbol which remains there until the programme starts. The number of hours disappears automatically if the keyboard is not used for five seconds or if any button other than "programme delay" is pressed. To see how many hours are left before the programme starts, simply press the corresponding button once.

Economy programme selection "ECO"

This button can be pressed to reduce the temperatures in programmes 4-8, allowing electricity saving and reducing the duration of the washing cycle.



No.	Cycle	Load Type	Prewash	Wash	1 st Rinse	2 st Rinse	Rinse Aid Rinse	Drying	Eco
1	SOAK	Preliminary rinsing of dishes.	YES	NO	NO	NO	NO	NO	-
2	DELICATE	Dishes with light dirt (glasses, cups).	NO	45°C	YES	NO	65°C	YES	-
2	CRYSTAL	Delicate china or glassware which cannot withstand high washing temperatures. Small non dried food remains which do not contain starch.	NO	45°C	YES	NO	55°C	YES	*
3	RAPID	Dishes with light or medium dirt with no dried residues or starches.	NO	45°C	YES	YES	NO	NO	-
4	NORMAL	Dishes with normal dirt with dried residues of foods containing starches.	YES	65°C	YES	NO	65°C	YES	-
4	DAILY	Dishes with normal dirt without dried residues or starches.	NO	65°C	YES	NO	65°C	YES	*
5	BIO (**)	Dishes with light dirt with dried residues of foods containing starches.	YES	55°C	YES	NO	65°C	YES	-
5	ECO BIO (****) EN 50242	Dishes with light dirt with dried residues of foods containing starches.	NO	55°C	YES	NO	65°C	YES	*
6	STRONG	Very dirty pans and dishes with dried residues containing starches.	YES	70°C	YES	YES	70°C	YES	-
6	STRONG (without prewash)	Dishes with normal dirt and pans, with dried residues containing starches.	NO	70°C	YES	YES	70°C	YES	*
7	SUPER	Very dirty pans and dishes with a lot of dried on food, containing also starch (ex. pasta, rice, semolina, potatoes, eggs, sauces, roasts).	45°C	70°C	YES	YES	70°C	YES	-
8	(****) RINSE	Dishes requiring "refreshing".	NO	NO	NO	YES	65°C	YES	-

* = Press "ECO" button. ** = Programme recommended with a "new generation" detergents containing enzymes.
 *** = Reference cycle according to EN 50242.
 **** = Before starting programme No. 8, check that the hatch of the detergent dispenser.

N.B. Only SOAK with partial load.

Cleaning the Appliance

Make sure that the appliance is disconnected from the electrical mains.

The outside surfaces and the inside of the door of the dishwasher must be cleaned regularly with a soft, damp cloth.

Never use abrasive or acid detergents.

The door seals must be cleaned with a damp sponge. The outside of the appliance may be cleaned with a normal detergent for painted surfaces.

Cleaning the Water Intake Filter

Clean the filter at the appliance water inlet connection periodically. Turn off the tap, unscrew the end of the water filler hose, remove the black filter and clean it gently under a jet of running water, then replace the filter and screw the hose back in place.

Cleaning the Spray Arms

The spray arms can easily be removed to allow periodic cleaning of the nozzles and prevent any clogging. To remove the top arm, unscrew the retainer ring-nut; the bottom arm will simply pull off after releasing the two catches. Wash them thoroughly under a jet of water.

Cleaning the Filter Unit

The central filter should be removed for inspection periodically and cleaned if necessary. To remove it, press the tangs lightly, turn anticlockwise and lift out. Remove the central filter by pushing from below and separate it from the microfilter; then extract the central plastic filter from its seat. The rectangular filter can now be just lifted out.

Clean filters in running water using a stiff brush.

It is essential to clean filters carefully as instructed above, as the dishwasher cannot operate with a fouled filter.

Users must also take care to replace the cleaned filters correctly, to avoid damage to the washing pump.

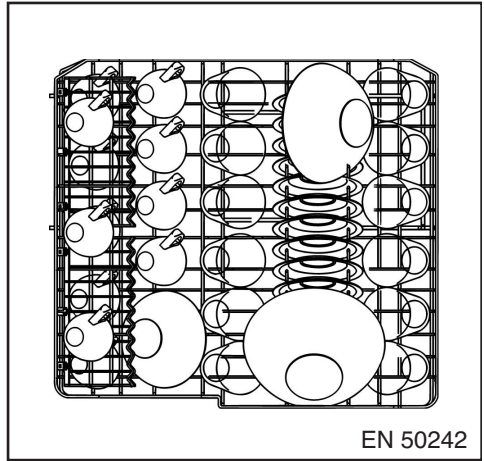
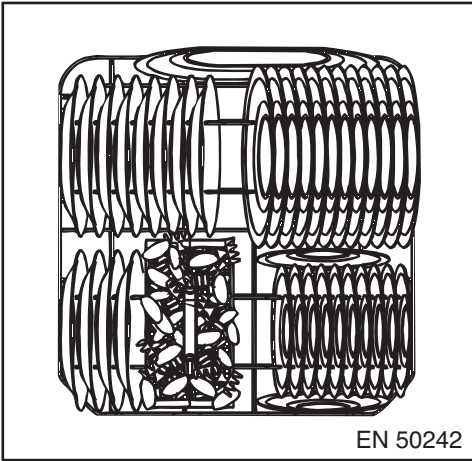
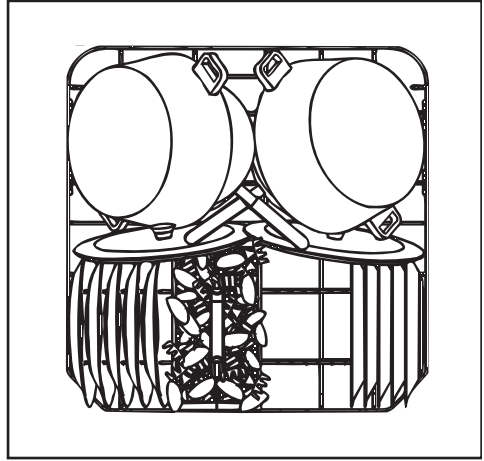
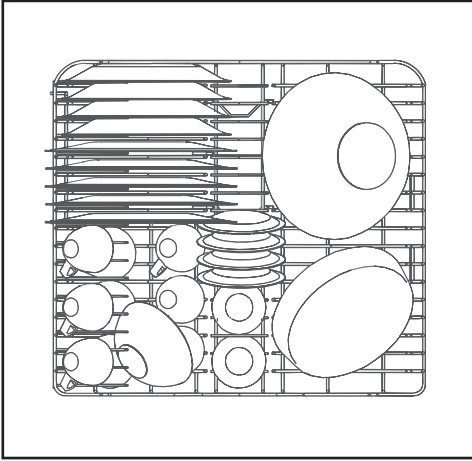
If the dishwasher is to be out of use for a long period

The following precautions must be taken:

- perform two consecutive pre-rinses;
- disconnect the plug from the mains;
- leave the door slightly open so that no unpleasant smells can form;
- turn off the water tap.

Before re-using the dishwasher after a lay-off

- Re-connect the plug to the power socket;
- check that no sludge or rust has been deposited in the water supply pipeline;
- allows water to flow freely from the supply tap for a few minutes;
- re-connect the filter hose and turn the water tap back on.



Technical Details

Capacity	12 place settings
Intake	1÷9 bar
Power Supply Voltage	230 V
Fuse Rating	13 Amps
Width of Appliance	60 cm
Depth of Appliance	57 cm
Dimension with Door Open	116 cm

Check These Points First

The electronic control system is capable of detecting 6 possible dishwasher malfunctions. Therefore before calling the After-Sales Service, users are advised to consult the list below, and in all cases to make a note of the error messages.

Alarm E1

NOT USED ON THIS APPLIANCE.

Alarm E2

The system which limits the water level inside the dishwasher (Safety Level) has been tripped. Since this might be a temporary fault, try reprogramming the machine. If the malfunction persists, call the After-Sales Service.

Alarm E3

The dishwasher is not able to heat the washing water correctly. To establish the cause of the fault call the After-Sales Service.

Alarm E4

The temperature monitoring system has failed. Switch off the dishwasher, switch it back on and restart a washing programme. If the alarm appears again, call the After-Sales Service, specifying the number of the error.

Alarm E5

The dishwasher is not able to take in water. Check that:

- A) the water cock is open;
- B) the filter in the pipe is not blocked;
- C) there are no restrictions in the filter pipe.

After making these checks, close the door. The washing programme will restart from the point where it was interrupted. If the alarm persists call the After-Sales Service.

Alarm E6

The dishwasher is unable to discharge the water. Check that:

- A) the drain hose is not crushed;
- B) the drain line is not blocked.

After making these checks, close the door. The washing programme will restart from the point where it was interrupted. If the alarm persists call the After-Sales Service.

If the dishes are not clean at the end of the program

Check whether:

- the right washing program has been used;
- the detergent dispenser has opened correctly;
- the right amount of detergent has been placed in the dispenser;
- the dishes have been arranged correctly;
- the spray-arms turn freely;
- the water tap has been turned on;
- the spray arm nozzles are blocked;
- the filler hose filter is fouled;
- the main water pressure is correct;
- there is salt in the water softener.

If the dishwasher does not work

Check that:

- the connection to the power supply socket and the fuse;
- there is not a power supply blackout;
- the water tap is turned on;
- the door is closed correctly;
- the filler hose filter is not fouled;
- the filler and drain hoses are not creased.

IMPORTANT: ENSURE THAT THE ELECTRICITY SUPPLY IS SWITCHED OFF BEFORE CONNECTING.

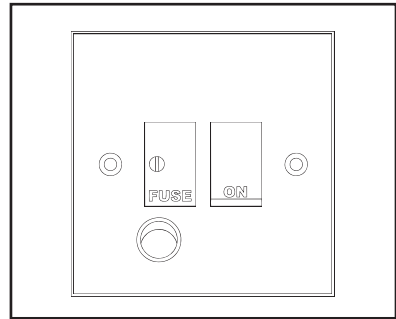
Your appliance must be connected to fixed wiring via the use of a double pole switched fused spur outlet with at least 3mm contact separation.

(See technical data for fuse rating).

We strongly recommend the appliance is connected by a qualified electrician who is a member of the N.I.C.E.I.C who will comply with the I.E.E. and any local regulations.

NOTE

The terminology "DOUBLE POLE" means that both the live and neutral supplies are switched and disconnected at the same time.

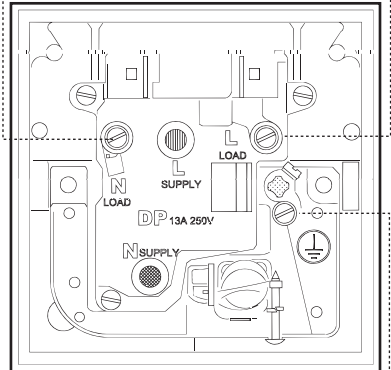


**BLUE
(NEUTRAL)**

**BROWN
(LIVE)**

The terminations labelled SUPPLY are for the connection for the internal house wiring and the terminations labelled LOAD are for connection for the appliance.

**- WARNING -
THIS APPLIANCE MUST BE EARTHED.**



**GREEN & YELLOW
(EARTH)**

IMPORTANT

The wires in this mains lead are coloured in accordance with the following code:

GREEN / YELLOW	Earth
BLUE	Neutral
BROWN	Live

At the colours of the wires in the mains lead of this appliance may not correspond with the coloured markings identifying the terminals in your spur box, proceed as follows.

The wire which is coloured green and yellow must be connected to the terminal which is marked with the letter **E** or by the earth symbol \perp or coloured green or green and yellow. The wire which is coloured blue must be connected to the terminal which is marked with letter **N** or coloured black. The wire which is coloured brown must be connected to the terminal which is marked with the letter **L** or coloured red.

TECHNICAL DATA

FUSE RATING:

13AMP

GUARANTEE CONDITIONS

(a) Any claim during the period of the guarantee **MUST BE ACCOMPANIED WITH THE RECEIPT** relating to the original purchase.

(b) The unit must be correctly installed and operated in accordance with the manufacturer's instructions and used for normal domestic purposes.

(c) The guarantee does not cover accidental damage, misuse or alterations which are likely to affect the units.

(d) The guarantee is invalid if the unit is tampered with, or repaired by any unauthorised person.

(e) The guarantee in no way affects your statutory rights.

(f) Mainland U.K. only.

● ***Procedure when reporting a fault***

1. Give full name, address including post code, home telephone number and business telephone number if appropriate.
2. Quote sales receipt number, make and model number of faulty appliance.
This product's reference is as follows: **ADP 8252**

LOW CALL SERVICE LOW CALL SERVICE LOW CALL SERVICE LOW CALL SERVICE

08457 959722

LOW CALL SERVICE LOW CALL SERVICE LOW CALL SERVICE LOW CALL SERVICE