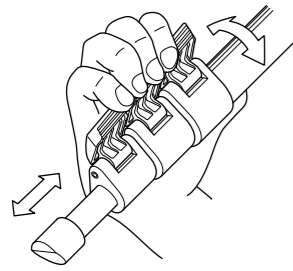


Extending the tripod legs

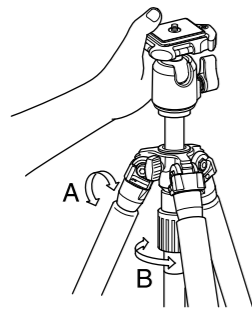


Flip up the leg lock lever to extend or shorten any of the individual leg sections to the desired length and press the leg lock lever flush against the leg to lock.

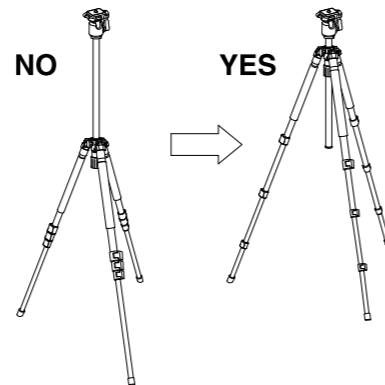


It is easier to extend the tripod legs if you turn the leg-tips to the foot, while leaving legs close.

Operating the center column

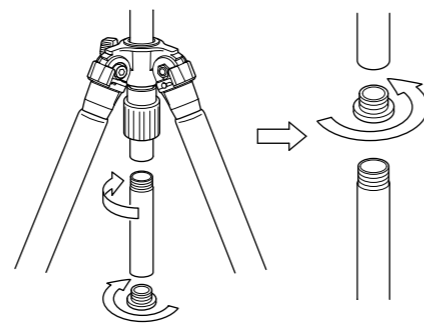
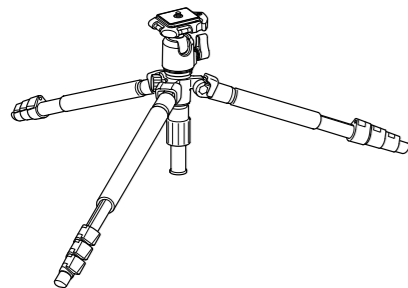


A - Screw-type
Center column stopper is used to lock or unlock center column.
B - Twist-type
Center column locking nut is used to adjust a tension of the movement.
The both of A and B must be locked for fixing center column.



To avoid unnecessary camera vibrations, try to keep the center column height to a minimum.
Also use the larger legs first when extending the legs.

How to get low position shots



Remove the center column base stopper and then, remove the lower part of center column.
Put the center column base stopper on the upper part of center column.

Care of the tripod

- DO NOT apply any grease or oil to this product.
- Clean with a mild detergent and a soft cloth only.
- DO NOT use close to flame. Avoid extreme heat.



Slik Corporation reserves the right to make changes in design and/or improvements on the products without any obligation and advanced notice.

SLIK CORPORATION
853 Kayama, Hidaka City, Saitama 350-1231 Japan Phone 81-42-989-2141, Fax. 81-42-985-0210 ©2010

Printed in Thailand

SLIK®

PRO 340BH Tripod

Operating Instructions

Thank you very much for choosing SLIK PRO 340BH Tripod. The SLIK Corporation has designed your tripod to be a sturdy, rugged, dependable product that will provide you with many years of satisfactory use.

Please take a few moments to read this operating instruction carefully before use so that you can take full advantage of your tripod's many fine features.

Retain this operating instruction in case you might want to refer back to it.

⚠ Caution

This caution icon refers to information pertaining to important safety procedures in preventing injuries, or damages which may occur as a result of mishandling this product.

🚫 Prohibition

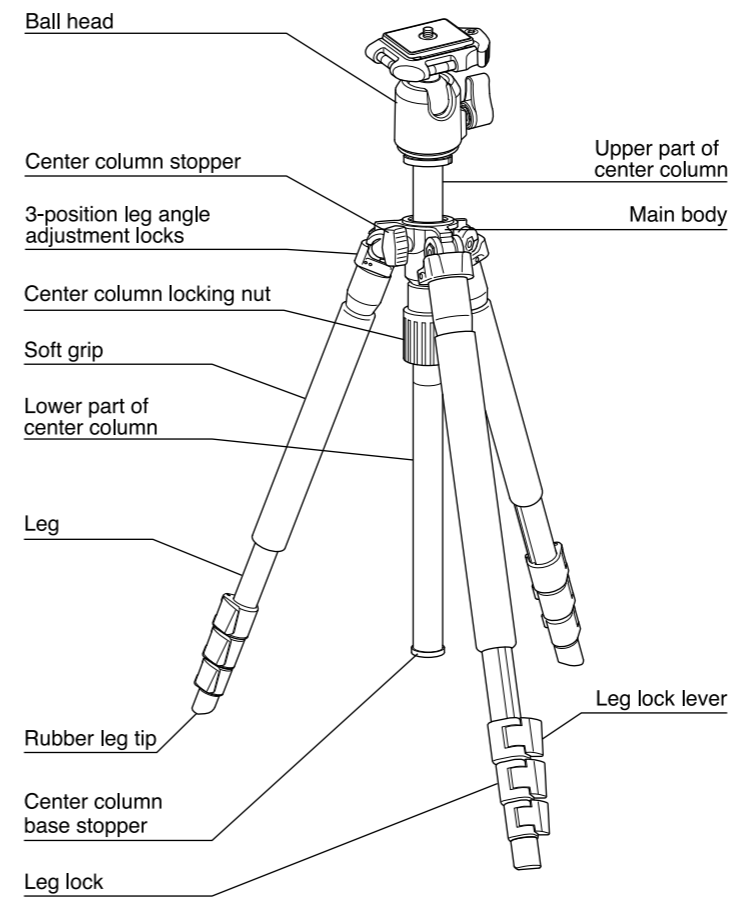
This prohibited icon refers to information pertaining to prohibited contents. Please refer to instructions closely to avoid accidents.

Specification

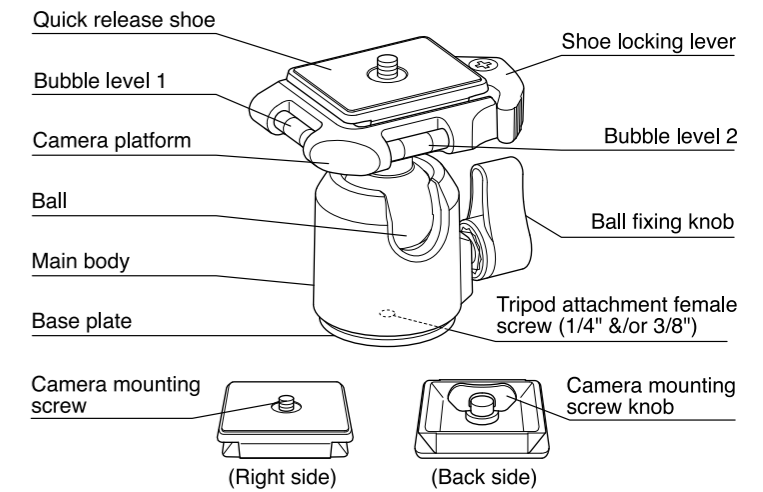
Max. operating height	1,437 mm (56 1/2")
Folded length	515 mm (20 1/4")
Max. center column ext.	290 mm (11 5/12")
Weight	1,510 g (3lbs 5oz)
Tripod attachment female screw	(1/4" &/or 3/8")

K488-3

Components



Ball head



Equipment that can be loaded on this tripod

🚫 Prohibition

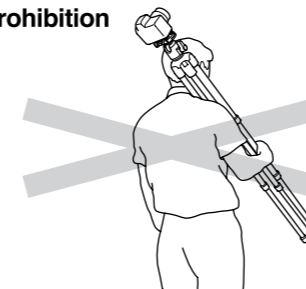
This product has been designed to handle equipment weighing under 3kgs (6lbs 9oz). Do not overload.
Some equipment weighing under 3kgs (6lbs 9oz), such as long lenses, may not balance well due to its weight distribution.
In such case, please use a larger tripod.

⚠ Caution

Soft grip is consumption and cannot be used permanently.
Please replace it whenever ragged.

Carrying the tripod

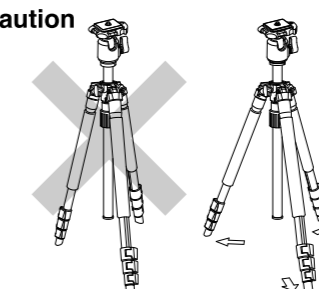
🚫 Prohibition



Carrying a tripod with a camera left on can result in unexpected accidents. We therefore, recommend you to remove your camera while carrying the tripod.

Setting up

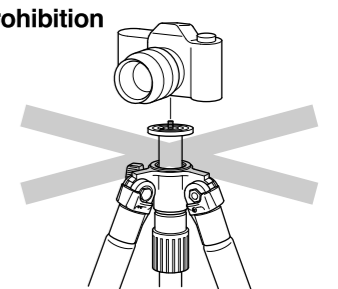
⚠ Caution



To prevent accidental equipment fall or tripod tipping over, making sure all levers, knobs and handles on the tripod are securely tightened.
And all of the three legs are opened all the way.

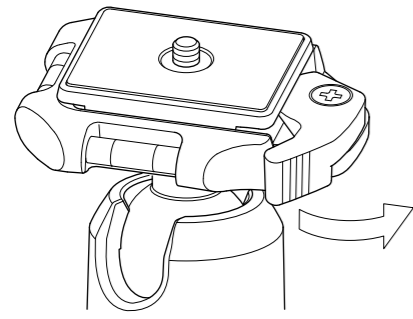
Pan head mounting post

🚫 Prohibition

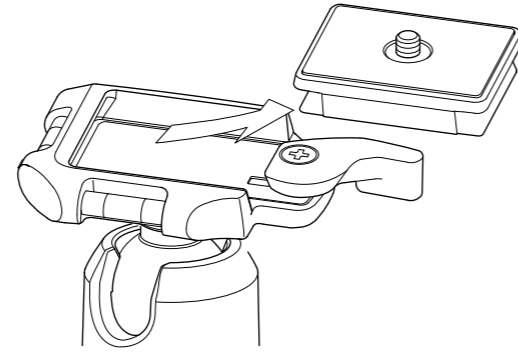


Do not attach a camera directly to the attachment screw of the center column.
This may damage both your camera and tripod.

Attaching a camera

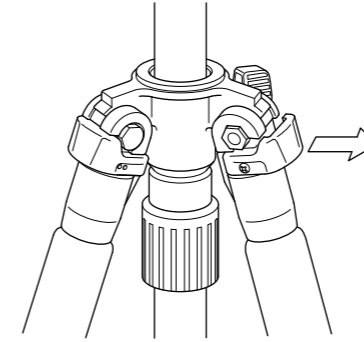


Remove the quick release shoe turning the shoe locking lever.

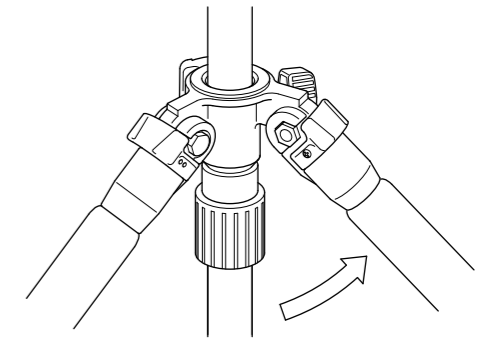


In this case, please do not put the shoe locking lever back by force as it has been stood by the stopper.

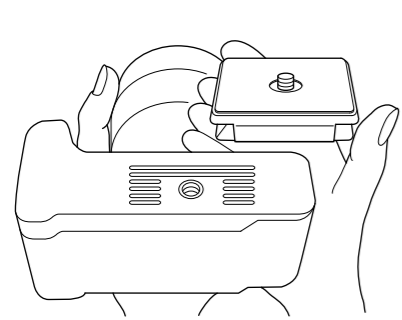
Three position adjustable legs



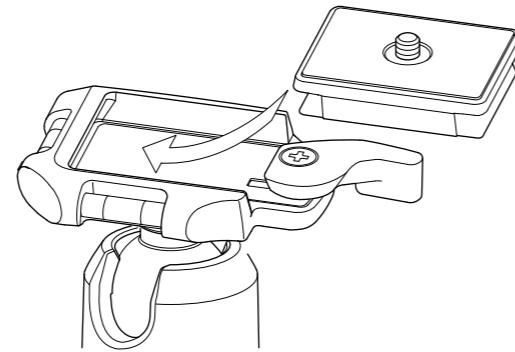
To change the angle of each leg, close the leg slightly, and then pull the leg angle adjustment lock out.



There is a choice of two other angle positions.

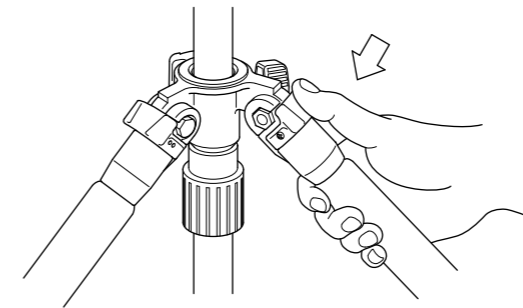


Insert the camera mounting screw of the quick release shoe in the place of the tripod attachment screw of your camera. Turn the camera mounting screw knob and fix firmly.



Attach the shoe slid aslant from the shoe locking lever. It will be closed automatically after attaching.

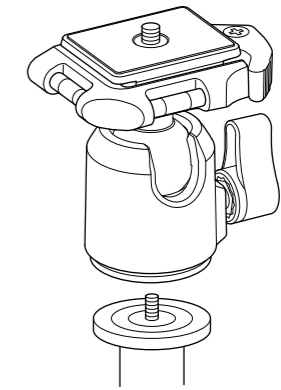
⚠ Caution



After choosing the desired leg angle, securely push in the adjustment lock.

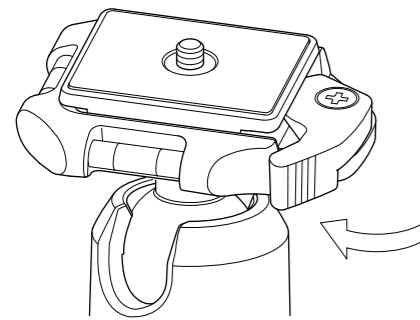
Removing the center column

⚠ Caution

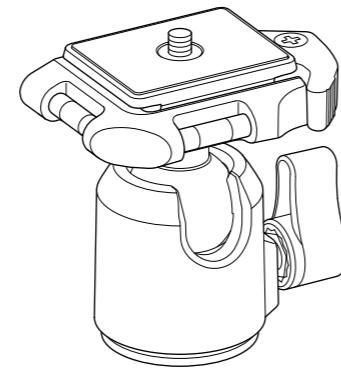


Always remove the ball head when replacing the center column.

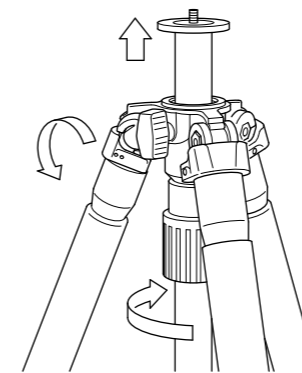
Built-in level



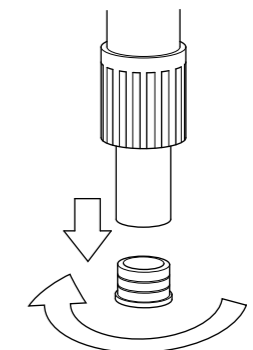
Fasten the shoe locking lever to the side of lever fixation. It will be certainly fixed.



Adjust the built-in level to fit into the middle.

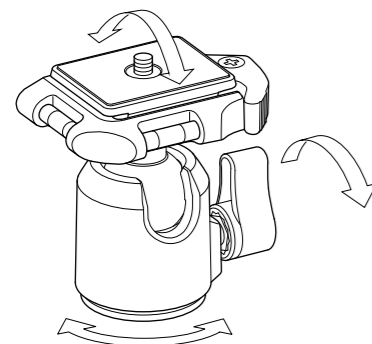


Remove the center column base stopper from the bottom of the center column.

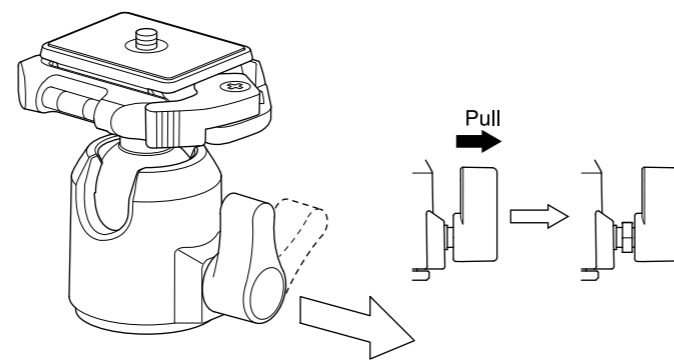


Loosen the center column stopper and the locking collar, and then pull out the center column.

Using the ball head

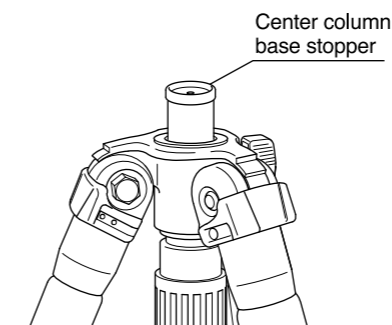


Camera platform and base plate will be rotated when the ball fixing knob is loosened.



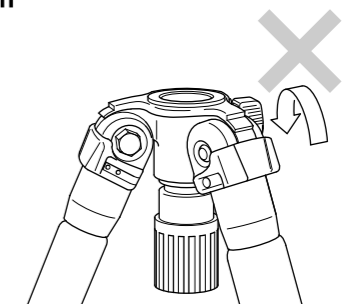
You can change a position of a ball fixing knob. To change a position, turn the ball fixing knob to your favorite position while pulling a ball fixing knob itself.

⚠ Caution



Insert the new replacement center column through the top, and tighten the locking collar. Always be sure to return the center column base stopper back on the bottom of the center column, as this prevents the center column from being accidentally pulled out.

⊘ Prohibition



Please do not turn the center column stopper without a center column. The internal parts may be damaged.