

## OVERVIEW

The SiliconDrive 1.8" Drive is an optimal time-to-market replacement for hard drives and flash cards or in host systems that require low power and scalable storage solutions.

SiliconDrive technology is engineered exclusively for the high performance, high reliability, and multiyear product lifecycle requirements of the Enterprise System OEM market. Typical end-market applications include broadband data and voice networks, military systems, flight system avionics, medical equipment, industrial control systems, video surveillance, storage networking, VoIP, wireless infrastructure, and interactive kiosks.

Every SiliconDrive is integrated with SiliconSystems' patented PowerArmor and patent-pending SiSMART technologies to virtually eliminate storage systems failures.

PowerArmor prevents data corruption and loss from power disturbances by integrating patented technology into every SiliconDrive.

SiSMART acts as an early warning system to eliminate unscheduled downtime by constantly monitoring and reporting the exact amount of remaining storage system useful life.

Numerous SiliconSystems' patented and patent-pending application-specific technologies can be integrated into SiliconDrive to safeguard application data and software IP. Application notes detailing these performance-enhancing options are available under NDA.

## FEATURES

- RoHS 6 of 6 compliant
- Integrated PowerArmor and SiSMART technologies
- Capacity range: 32MB to 16GB
- Supports both 8-bit and 16-bit data register transfers
- Supports 5V interface
- Data reliability <1 error in  $10^{14}$  bits read
- MTBF 4,000,000 hours
- ATA-3 compliant
- Industry Hitachi 1.8" Drive form factor
- Supports PIO modes 0-4 and DMA modes 0-2



[Click here](#)



[Click here](#)

## SILICONSYSTEMS PROPRIETARY

This document and the information contained within it is confidential and proprietary to SiliconSystems, Inc.  
All unauthorized use and/or reproduction is prohibited.

## REVISION HISTORY

Document No.	Release Date	Changes
3500H-03DSR	February 2, 2009	<p><b>Updated:</b></p> <ul style="list-style-type: none"> <li>• "System Reliability" table and changed the name to "Reliability."</li> <li>• "Related Documentation" table.</li> </ul> <p><b>Added:</b></p> <ul style="list-style-type: none"> <li>• "Projected Operational Life Span."</li> </ul>
3500H-02DSR	May 15, 2008	<p><b>Updated:</b></p> <ul style="list-style-type: none"> <li>• "Overview."</li> <li>• SiProtect information.</li> </ul>
SSDS01-3500H-R	October 31, 2007	<p><b>Updated:</b></p> <ul style="list-style-type: none"> <li>• RoHS information.</li> <li>• The <math>t_{RWD}</math> Maximum in the "True IDE Multiword DMA Read/Write Access Timing" table.</li> <li>• Cylinder Low in the "Task File Register Specification" table.</li> <li>• "Sample Label."</li> </ul> <p><b>Removed:</b></p> <ul style="list-style-type: none"> <li>• NOP command from the "ATA Command Set" table.</li> </ul>
SSDS00-3500H-R	February 9, 2007	Initial release.

### SILICONSYSTEMS PROPRIETARY

This document and the information contained within it is confidential and proprietary to SiliconSystems, Inc.  
All unauthorized use and/or reproduction is prohibited.

## TABLE OF CONTENTS

<b>Overview</b> .....	<b>i</b>
<b>Features</b> .....	<b>i</b>
<b>Revision History</b> .....	<b>II</b>
<b>List of Figures</b> .....	<b>VI</b>
<b>List of Tables</b> .....	<b>VII</b>
<b>Physical Specifications</b> .....	<b>1</b>
Physical Dimensions .....	1
Pin Locations .....	2
Jumper Settings .....	2
<b>Product Specifications</b> .....	<b>3</b>
System Performance .....	3
System Power Requirements .....	3
Reliability .....	4
Projected Operational Life Span .....	4
Product Capacity Specifications .....	5
Environmental Specifications .....	5
<b>Electrical Specification</b> .....	<b>6</b>
Pin Assignments .....	6
Signal Descriptions .....	7
Absolute Maximum Ratings .....	9
Capacitance .....	9
DC Characteristics .....	10
AC Characteristics .....	11
I/O Access Read Timing .....	11
I/O Access Write Timing .....	12
True IDE Read/Write Access Timing .....	13
True IDE Multiword DMA Read/Write Access Timing .....	14

---

### SILICONSYSTEMS PROPRIETARY

This document and the information contained within it is confidential and proprietary to SiliconSystems, Inc.  
All unauthorized use and/or reproduction is prohibited.

<b>ATA and True IDE Register Decoding .....</b>	<b>15</b>
Task File Register Specification .....	15
<b>ATA Registers.....</b>	<b>16</b>
Data Register .....	16
Error Register.....	16
Feature Register.....	17
Sector Count Register.....	18
Sector Number Register.....	19
Cylinder Low Register .....	20
Cylinder High Register .....	21
Drive/Head Register.....	22
Status Register.....	23
Command Register .....	24
Alternate Status Register .....	25
Device Control Register .....	26
Device Address Register.....	27
<b>ATA Command Block and Set Description.....</b>	<b>28</b>
ATA Command Set .....	28
Check Power Mode — 98h, E5h.....	30
Executive Drive Diagnostic — 90h.....	31
Format Track — 50h .....	32
Identify Drive — ECh.....	33
<i>Identify Drive — Drive Attribute Data .....</i>	<i>34</i>
Idle — 97h, E3h.....	37
Idle Immediate — 95h, E1h.....	38
Initialize Drive Parameters — 91h.....	39
Recalibrate — 1Xh .....	40
Read Buffer — E4h .....	41
Read DMA — C8h.....	42

**SILICONSYSTEMS PROPRIETARY**

This document and the information contained within it is confidential and proprietary to SiliconSystems, Inc.  
All unauthorized use and/or reproduction is prohibited.

Read Multiple — C4h .....	43
Read Sector — 20h, 21h.....	44
Read Long Sector(s) — 22h, 23h.....	45
Read Verify Sector(s) — 40h, 41h .....	46
Seek — 7Xh .....	47
Set Features — EFh.....	48
Set Multiple Mode — C6h .....	49
Set Sleep Mode — 99h, E6h.....	50
Standby — 96h, E2h .....	51
Standby Immediate — 94h, E0h .....	52
Write Buffer — E8h .....	53
Write DMA — CAh .....	54
Write Multiple — C5h .....	55
Write Sector(s) — 30h, 31h.....	56
Write Long Sector(s) — 32h, 33h.....	57
Erase Sector(s) — C0h .....	58
Request Sense — 03h .....	59
Translate Sector — 87h .....	60
Wear-Level — F5h .....	61
Write Multiple w/o Erase — CDh.....	62
Write Sector(s) w/o Erase — 38h.....	63
Write Verify — 3Ch.....	64
<b>Sales and Support .....</b>	<b>65</b>
<b>Part Numbering.....</b>	<b>65</b>
Nomenclature .....	65
Part Numbers .....	66
RoHS 6 of 6 Product Labeling — Pb-Free Identification Label .....	66
Sample Label .....	66
<b>Related Documentation.....</b>	<b>67</b>

---

**SILICONSYSTEMS PROPRIETARY**

This document and the information contained within it is confidential and proprietary to SiliconSystems, Inc.  
All unauthorized use and/or reproduction is prohibited.

## LIST OF FIGURES

Figure 1: Physical Dimensions.....	1
Figure 2: Pin Locations .....	2
Figure 3: Jumper Settings.....	2
Figure 4: I/O Access Read Timing Diagram .....	11
Figure 5: I/O Access Write Timing Diagram.....	12
Figure 6: True IDE Read/Write Access Timing Diagram .....	13
Figure 7: True IDE Multiword DMA Read/Write Access Timing.....	14
Figure 8: Sample Label.....	66

---

**SILICONSYSTEMS PROPRIETARY**

This document and the information contained within it is confidential and proprietary to SiliconSystems, Inc.  
All unauthorized use and/or reproduction is prohibited.

## LIST OF TABLES

Table 1: Physical Dimensions.....	1
Table 2: System Performance .....	3
Table 3: System Power Requirements .....	3
Table 4: Reliability.....	4
Table 5: Operational Life Span .....	4
Table 6: Product Capacity Specifications .....	5
Table 7: Environmental Specifications.....	5
Table 8: Pin Assignments .....	6
Table 9: Signal Descriptions .....	7
Table 10: Absolute Maximum Ratings .....	9
Table 11: Capacitance .....	9
Table 12: DC Characteristics .....	10
Table 13: I/O Access Read Timing .....	11
Table 14: I/O Access Write Timing .....	12
Table 15: True IDE Read/Write Access Timing .....	13
Table 16: True IDE Multiword DMA Read/Write Access Timing.....	14
Table 17: Task File Register Specification.....	15
Table 18: Error Register.....	16
Table 19: Feature Register .....	17
Table 20: Sector Count Register.....	18
Table 21: Sector Number Register .....	19
Table 22: Cylinder Low Register.....	20
Table 23: Cylinder High Register.....	21
Table 24: Drive/Head Register.....	22
Table 25: Status Register .....	23
Table 26: Command Register .....	24
Table 27: Alternate Status Register .....	25

---

**SILICONSYSTEMS PROPRIETARY**

This document and the information contained within it is confidential and proprietary to SiliconSystems, Inc.  
All unauthorized use and/or reproduction is prohibited.

Table 28: Device Control Register .....	26
Table 29: Device Address Register .....	27
Table 30: ATA Command Block and Set Description .....	28
Table 31: ATA Command Set .....	28
Table 32: Check Power Mode — 98h, E5h.....	30
Table 33: Executive Drive Diagnostic — 90h.....	31
Table 34: Format Track — 50h .....	32
Table 35: Identify Drive — ECh .....	33
Table 36: Identify Drive — Drive Attribute Data .....	34
Table 37: Idle — 97h, E3h .....	37
Table 38: Idle Immediate — 95h, E1h .....	38
Table 39: Initialize Drive Parameters — 91h .....	39
Table 40: Recalibrate — 1Xh.....	40
Table 41: Read Buffer — E4h.....	41
Table 42: Read DMA — C8h .....	42
Table 43: Read Multiple — C4h.....	43
Table 44: Read Sector — 20h, 21h .....	44
Table 45: Read Long Sector(s) — 22h, 23h .....	45
Table 46: Read Verify Sector(s) — 40h, 41h.....	46
Table 47: Seek — 7Xh.....	47
Table 48: Set Features — EFh .....	48
Table 49: Set Features' Attributes .....	48
Table 50: Set Multiple Mode — C6h.....	49
Table 51: Set Sleep Mode — 99h, E6h .....	50
Table 52: Standby — 96h, E2h.....	51
Table 53: Standby Immediate — 94h, E0h.....	52
Table 54: Write Buffer — E8h.....	53
Table 55: Write DMA — CAh.....	54
Table 56: Write Multiple — C5h.....	55

**SILICONSYSTEMS PROPRIETARY**

This document and the information contained within it is confidential and proprietary to SiliconSystems, Inc.  
All unauthorized use and/or reproduction is prohibited.



Table 57: Write Sector(s) — 30h, 31h .....	56
Table 58: Write Long Sector(s) — 32h, 33h .....	57
Table 59: Erase Sector(s) — C0h.....	58
Table 60: Request Sense — 03h.....	59
Table 61: Extended Error Codes .....	59
Table 62: Translate Sector — 87h .....	60
Table 63: Wear-Level — F5h.....	61
Table 64: Write Multiple w/o Erase — CDh .....	62
Table 65: Write Sector(s) w/o Erase — 38h .....	63
Table 66: Write Verify — 3Ch .....	64
Table 67: Part Numbering Nomenclature .....	65
Table 68: Part Numbers.....	66
Table 69: Related Documentation .....	67

---

**SILICONSYSTEMS PROPRIETARY**

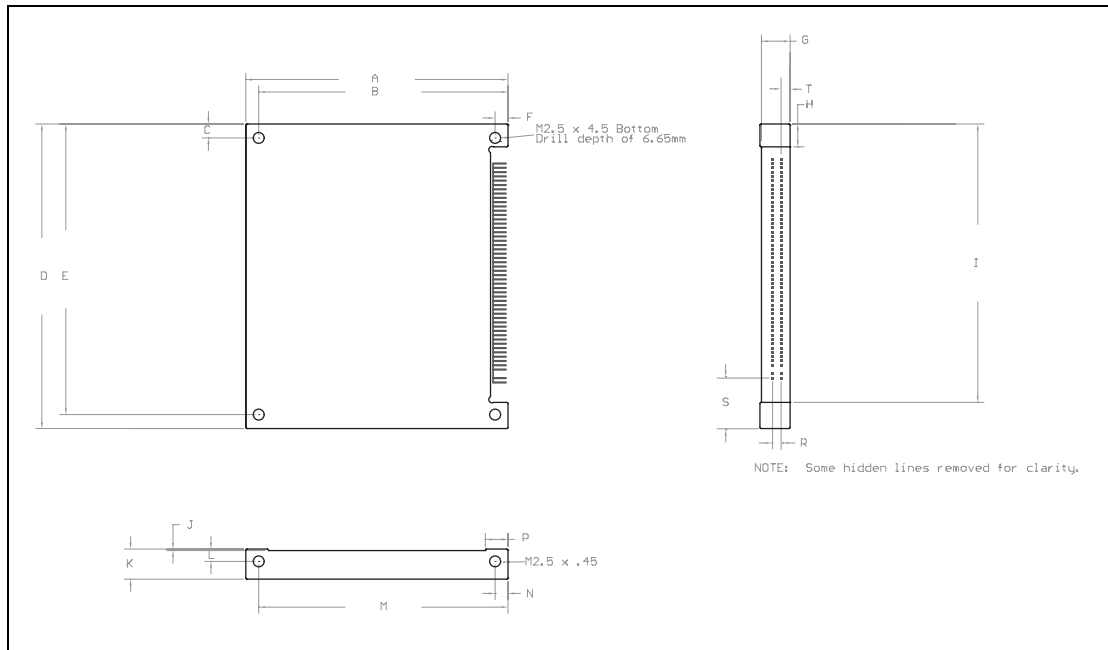
This document and the information contained within it is confidential and proprietary to SiliconSystems, Inc.  
All unauthorized use and/or reproduction is prohibited.

## PHYSICAL SPECIFICATIONS

The SiliconDrive 1.8" Drive products are offered in an industry-standard 1.8" Drive form factor. See ["Part Numbering" on page 65](#) for details regarding 1.8" Drive capacities.

### PHYSICAL DIMENSIONS

This section provides diagrams that describe the physical dimensions for the 1.8" Drive.



**Figure 1: Physical Dimensions**

**Table 1: Physical Dimensions**

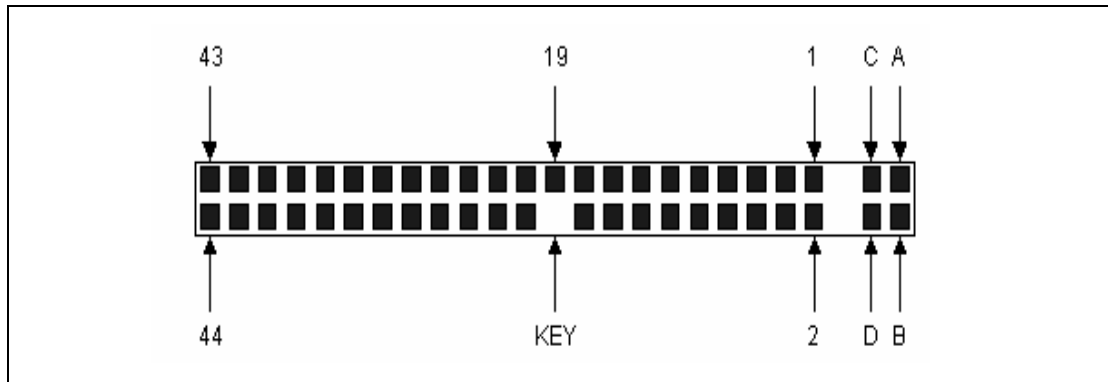
Dimension	Millimeters	Tolerance (mm)	Dimension	Millimeters	Tolerance (mm)
A	60.00	±0.25	K	6.90	±0.125
B	57.05	±0.25	L	2.82	±.10
C	3.20	±0.10	M	57.05	±0.25
D	69.85	±0.25	N	2.95	±0.10
E	66.65	±0.25	P	5.19	±0.125
F	2.95	±0.10	Q	11.57	±0.125
G	6.55	±0.125	R	2.00	±0.10
H	5.25	±0.125	S	11.71	±0.125
I	63.85	±0.25	T	3.00	±0.10
J	.35	±0.0125			

**SILICONSYSTEMS PROPRIETARY**

This document and the information contained within it is confidential and proprietary to SiliconSystems, Inc. All unauthorized use and/or reproduction is prohibited.

**PIN LOCATIONS**

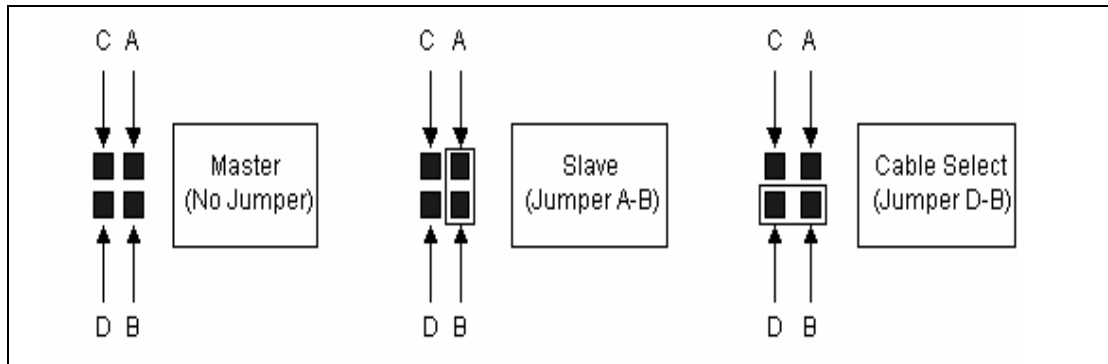
The following diagram identifies the pin locations of the 1.8" Drive.



**Figure 2: Pin Locations**

**JUMPER SETTINGS**

The following diagram defines the SiliconDrive 1.8" Drive jumper settings.



**Figure 3: Jumper Settings**

**SILICONSYSTEMS PROPRIETARY**

This document and the information contained within it is confidential and proprietary to SiliconSystems, Inc. All unauthorized use and/or reproduction is prohibited.

## PRODUCT SPECIFICATIONS

**Note:** All SiliconDrive 1.8" Drive values quoted are typical at 25°C and nominal supply voltage.

### SYSTEM PERFORMANCE

**Table 2: System Performance**

Reset to Ready Startup Time (Typical/Maximum)	200ms/400ms
Read Transfer Rate (Typical)	8MBps
Write Transfer Rate (Typical)	6MBps
Burst Transfer Rate	16.7MBps
Controller Overhead (Command to DRQ)	2ms (maximum)

### SYSTEM POWER REQUIREMENTS

**Note:** The 5V is the only operation for the 16GB capacity.

**Table 3: System Power Requirements**

DC Input Voltage	5.0 ± 10%
Sleep (Standby Current)	>1.0mA
Read (Typical/Peak)	30mA/100mA
Write (Typical/Peak)	40mA/100mA

---

#### SILICONSYSTEMS PROPRIETARY

This document and the information contained within it is confidential and proprietary to SiliconSystems, Inc.  
All unauthorized use and/or reproduction is prohibited.

**RELIABILITY****Table 4: Reliability**

MTBF (@ 25°C)	4,000,000 hours
Bit Error Rate	<1 non-recoverable error in 10 <sup>14</sup> bits read

**PROJECTED OPERATIONAL LIFE SPAN****Table 5: Operational Life Span**

SiliconDrive Part#	Capacity	Service Life*	GB Written per Day
SSD-H16G-3500	16GB	648.7 Years @	135.2GB
SSD-H08G-3500	8GB	324.3 Years @	135.2GB
SSD-H04G-3500	4GB	162.2 Years @	135.2GB
SSD-H02G-3500	2GB	81.1 Years @	135.2GB
SSD-H01G-3500	1GB	40.5 Years @	135.2GB
SSD-H51M-3500	512MB	20.3 Years @	135.2GB
SSD-H25M-3500	256MB	10.1 Years @	135.2GB
SSD-H12M-3500	128MB	5.1 Years @	135.2GB
SSD-H64M-3500	64MB	2.5 Years @	135.2GB
SSD-H32M-3500	32MB	1.3 Years @	135.2GB

\* There are unlimited read cycles. Service life is determined using SiliconSystems' LifeEst calculation at 100% duty cycle with 25% write cycles.

LifeEst is a comprehensive measurement that considers numerous factors to determine the projected life span of a SiliconDrive. A white paper that describes the benefits of LifeEst and how to calculate it can be found at [http://www.siliconsystems.com/resources/Documents/Whitepaper/SiliconSystems\\_NAND\\_Evolution.pdf](http://www.siliconsystems.com/resources/Documents/Whitepaper/SiliconSystems_NAND_Evolution.pdf).

The actual life of a SiliconDrive is dependant on the customer usage model. SiSMART is a patented technology of SiliconSystems that enables host systems to monitor actual usage of a SiliconDrive in real time. SiSMART measures and reports the remaining life of a SiliconDrive. For more information on SiSMART, refer to the *Eliminating Unscheduled Downtime by Forecasting Useable Life* white paper at [http://www.siliconsystems.com/technology/pdfs/SiliconDrive\\_SiSMART.pdf](http://www.siliconsystems.com/technology/pdfs/SiliconDrive_SiSMART.pdf).

**SILICONSYSTEMS PROPRIETARY**

This document and the information contained within it is confidential and proprietary to SiliconSystems, Inc.  
All unauthorized use and/or reproduction is prohibited.

## PRODUCT CAPACITY SPECIFICATIONS

**Table 6: Product Capacity Specifications**

Product Capacity	Capacity (Bytes)	Number of Sectors	Number of Cylinders	Number of Heads	Number of Sectors/Track
32MB	32,702,464	63,872	499	2	32
64MB	65,601,536	128,128	1001	4	32
128MB	130,154,496	254,208	993	8	32
256MB	260,571,136	508,928	994	16	32
512MB	521,773,056	1,019,088	1011	16	63
1GB	1,047,674,880	2,046,240	2030	16	63
2GB	2,098,446,336	4,098,528	4066	16	63
4GB	4,224,761,856	8,251,488	8186	16	63
8GB	8,455,200,768	16,514,064	16,383*	16	63
16GB	16,494,428,160	32,215,680	16,383*	16	63

\* = All IDE drives 8GB and larger use 16383 cylinders, 16 heads, and 63 sectors/track due to interface restrictions.

## ENVIRONMENTAL SPECIFICATIONS

**Table 7: Environmental Specifications**

Temperature	0°C to 70°C (Commercial) -40°C to 85°C (Industrial)
Humidity	8% to 95% non-condensing
Vibration	16.3gRMS, MIL-STD-810F, Method 514.5, Procedure I, Category 24
Shock	1000G, Half-sine, 0.5ms Duration 50g Pk, MIL-STD-810F, Method 516.5, Procedure I
Altitude	80,000ft, MIL-STD-810F, Method 500.4, Procedure II

### SILICONSYSTEMS PROPRIETARY

This document and the information contained within it is confidential and proprietary to SiliconSystems, Inc.  
All unauthorized use and/or reproduction is prohibited.

## ELECTRICAL SPECIFICATION

### PIN ASSIGNMENTS

The following table describes the SiliconDrive 1.8" Drive 44-pin IDE connector signals.

**Table 8: Pin Assignments**

Pin	IDE-ATA	Pin	IDE-ATA
1	-RESET	2	GND
3	D7	4	D8
5	D6	6	D9
7	D5	8	D10
9	D4	10	D11
11	D3	12	D12
13	D2	14	D13
15	D1	16	D14
17	D0	18	D15
19	GND	20	KEY
21	DMARQ	22	GND
23	-IOWR	24	GND
25	-IORD	26	GND
27	IORDY	28	-CSEL
29	-DMACK	30	GND
31	INTRQ	32	-IOCS16
33	A1	34	-PDIAG
35	A0	36	A2
37	-CS0	38	-CS1
39	-DASP	40	GND
41	V <sub>CC</sub>	42	V <sub>CC</sub>
43	GND	44	NC

### SILICONSYSTEMS PROPRIETARY

This document and the information contained within it is confidential and proprietary to SiliconSystems, Inc.  
All unauthorized use and/or reproduction is prohibited.

## SIGNAL DESCRIPTIONS

**Table 9: Signal Descriptions**

Signal Name	Pin(s)	Type	Description
A2-A0	36, 33, 35	I	<b>Address Inputs.</b> These signals are asserted by the host to access the task registers in the device.
-CS0,-CS1	37, 38	I	In the true IDE mode, -CS0 is the chip select for the task file registers while -CS1 is used to select the Alternate Status register and the Device Control register.
-CSEL	28	I	<b>Cable Select.</b> This internally pulled-up signal is used to configure this device as a master or a slave when the jumper configuration is in CSEL mode. When this pin is: <ul style="list-style-type: none"> <li>• Grounded by the host, this device is configured as a master.</li> <li>• Open, this device is configured as a slave.</li> </ul>
D15-D0	18, 16, 14, 12, 10, 8, 6, 4, 3, 5, 7, 9, 11, 13, 15, 17	I/O	<b>Data Inputs/Outputs.</b> This is the 8-bit or 16-bit bidirectional interface between the host and device. The lower eight bits are used for 8-bit register transfers.
-DMACK	29	I	<b>DMA Acknowledge.</b> This signal is used by the host in response to DMARQ to initiate DMA transfers. The DMARQ/-DMACK handshake is used to provide flow control during the transfer. When -DMACK is asserted, -CS0 and -CS1 are not asserted and transfers are 16-bits wide.
DASP	39	I/O	<b>Disk Active/Slave Present.</b> This open drain output signal is asserted low any time the drive is active. In a master/slave configuration, this signal is used by the slave to inform the master that a slave is present.

**SILICONSYSTEMS PROPRIETARY**

This document and the information contained within it is confidential and proprietary to SiliconSystems, Inc.  
All unauthorized use and/or reproduction is prohibited.



**Table 9: Signal Descriptions (Continued)**

Signal Name	Pin(s)	Type	Description
DMARQ	21	O	<b>DMA Request.</b> This signal is used for DMA transfers between the host and device. DMARQ is asserted by the device when the device is ready to transfer data to/from the host. The direction of data transfer is controller by -IORD and -IOWR. This signal is used in a handshake manner with -DMACK (i.e., the device waits until the host asserts -DMACK before negating DMARQ, and reasserts DMARQ if there is more data to transfer). The DMARQ/-DMACK handshake is used to provide flow control during the transfer.
GND	2, 19, 22, 24, 26, 30, 40, 43	-	<b>Ground.</b> The device ground signal.
INTRQ	31	O	<b>Interrupt Request.</b> This signal is an active high interrupt request to the host.
IORDY	27	I	<b>I/O Channel Ready.</b> The signal is negated to extend the host transfer cycle of any host register access.
-IORD	25	I	<b>Device I/O Read.</b> This is the read strobe signal from the host. The falling edge of IORD enables data from the device onto the data bus. The rising edge of IORD latches data at the host. The host does not act on the data until it is latched.
-IOWR	23	I	<b>Device I/O Write.</b> This is the write strobe signal from the host. The rising edge of IOWR# latches data from the data bit signals. The device does not act on the data until it is latched.
KEY	20	-	<b>Key.</b> Reserved for the Connector Key.
-PDIAG	34	I/O	<b>Pass Diagnostic.</b> This open drain signal is asserted by the slave to indicate to the master that it has passed its diagnostics.

**SILICONSYSTEMS PROPRIETARY**

This document and the information contained within it is confidential and proprietary to SiliconSystems, Inc.  
All unauthorized use and/or reproduction is prohibited.

**Table 9: Signal Descriptions (Continued)**

Signal Name	Pin(s)	Type	Description
-RESET	1	I	<b>Device Reset.</b> An active low signal. When active, this signal sets all internal registers to their default state. This signal is held asserted until at least 25 $\mu$ s after power has been stabilized during the device power-on.
V <sub>CC</sub>	41, 42	-	<b>Device Power Supply.</b> The device power 5V signal.

## ABSOLUTE MAXIMUM RATINGS

**Table 10: Absolute Maximum Ratings**

Symbol	Parameter	Minimum	Maximum	Units
T <sub>s</sub>	Storage Temperature	-55	125	°C
T <sub>A</sub>	Operating Temperature	-40	85	°C
V <sub>CC</sub>	V <sub>CC</sub> with Respect to GND	-0.3	6.7	V
V <sub>in</sub>	Input Voltage	-0.5	6.0	V
V <sub>out</sub>	Output Voltage	-0.3	5.8	V

## CAPACITANCE

**Table 11: Capacitance**

Symbol	Parameter	Maximum	Units
C <sub>in</sub>	Input Capacitance	35	pF
C <sub>out</sub>	Output Capacitance	35	pF
C <sub>I/O</sub>	Bidirectional Capacitance	35	pF

### SILICONSYSTEMS PROPRIETARY

This document and the information contained within it is confidential and proprietary to SiliconSystems, Inc.  
All unauthorized use and/or reproduction is prohibited.

## DC CHARACTERISTICS

Table 12: DC Characteristics

Symbol	Parameter	5V $\pm$ 10%		Units
		Minimum	Maximum	
V <sub>CC</sub>	Power Supply Voltage	4.5	5.5	V
I <sub>LI</sub>	Input Leakage *(1) Current	-	5	$\mu$ A
I <sub>LO</sub>	Output Leakage *(1) Current	-	5	$\mu$ A
V <sub>CCR</sub>	V <sub>CC</sub> Read Current	-	80	mA
V <sub>CCW</sub>	V <sub>CC</sub> Write Current	-	80	mA
V <sub>CCS</sub>	V <sub>CC</sub> Standby Current	-	0.5	mA
V <sub>IL</sub>	Input Low Voltage	-0.3	0.3 x V <sub>CC</sub>	V
V <sub>IH</sub>	Input High Voltage	7 x V <sub>CC</sub>	V <sub>CC</sub> + 0.3	V
V <sub>OL</sub>	Output Low Voltage	-	0.4	V
V <sub>OH</sub>	Output High Voltage	V <sub>CC</sub> - 0.4	-	V

\*(1) Except the pulled-up/pulled-down pin.

## SILICONSYSTEMS PROPRIETARY

This document and the information contained within it is confidential and proprietary to SiliconSystems, Inc.  
All unauthorized use and/or reproduction is prohibited.

## AC CHARACTERISTICS

## I/O Access Read Timing

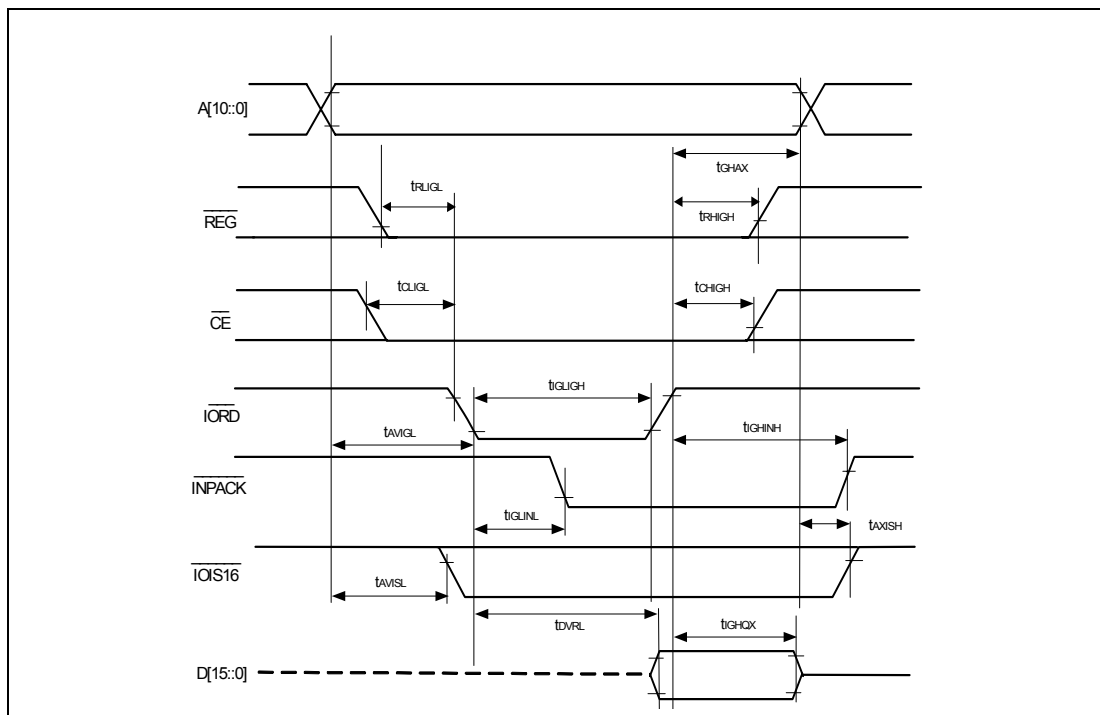


Figure 4: I/O Access Read Timing Diagram

Table 13: I/O Access Read Timing

Symbol	Parameter	Minimum	Maximum	Units
$t_{DVRL}$	Data Delay after IORD	-	50	ns
$t_{GHQX}$	Data Hold following IORD	5	-	ns
$t_{GLIGH}$	IORD Pulse Width	65	-	ns
$t_{AVIGL}$	Address Setup before IORD	25	-	ns
$t_{GHAX}$	Address Hold following IORD	10	-	ns
$t_{CLIGL}$	CE Setup before IORD	5	-	ns
$t_{CHIGH}$	CE Hold following IORD	10	-	ns
$t_{RLIGL}$	REG Setup before IORD	5	-	ns
$t_{RHIGH}$	REG Hold following IORD	0	-	ns
$t_{GLINL}$	INPACK Delay falling from IORD	-	(1)	ns
$t_{GLINH}$	INPACK Delay Rising from IORD	-	(1)	ns
$t_{AVISL}$	IOIS16 Delay Falling from Address	-	(1)	ns
$t_{AXISH}$	IOIS16 Delay Rising from Address	-	(1)	ns

**Note:** (1) IOIS16 and INPACK are not supported.

## SILICONSYSTEMS PROPRIETARY

This document and the information contained within it is confidential and proprietary to SiliconSystems, Inc.  
All unauthorized use and/or reproduction is prohibited.

## I/O Access Write Timing

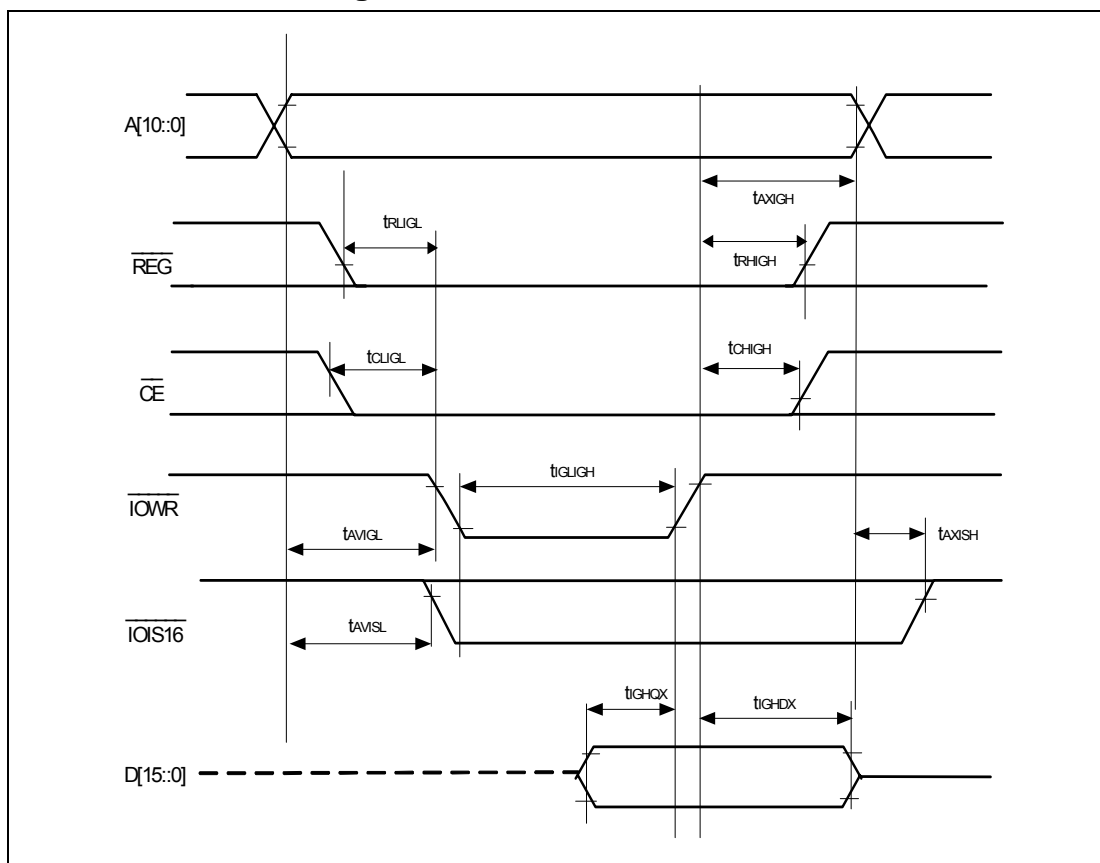


Figure 5: I/O Access Write Timing Diagram

Table 14: I/O Access Write Timing

Symbol	Parameter	Minimum	Maximum	Units
$t_{IGHDX}$	Data Hold following IOWR	5	-	ns
$t_{IGHQX}$	Data Setup before IOWR	20	-	ns
$t_{IGLIGH}$	IOWR Pulse Width	65	-	ns
$t_{AVIGL}$	Address Setup before IOWR	25	-	ns
$t_{AXIGH}$	Address Hold following IOWR	10	-	ns
$t_{CLIGL}$	CE Setup before IOWR	5	-	ns
$t_{CHIGH}$	CE Hold following IOWR	10	-	ns
$t_{RLIGL}$	REG Setup before IOWR	5	-	ns
$t_{RHIGH}$	REG Hold following IOWR	0	-	ns
$t_{AVISL}$	IOIS16 Delay Falling from Address	-	(1)	ns
$t_{AXISH}$	IOIS16 Delay Rising from Address	-	(1)	ns

**Note:** (1) IOIS16 and INPACK are not supported.

## SILICONSYSTEMS PROPRIETARY

This document and the information contained within it is confidential and proprietary to SiliconSystems, Inc.  
All unauthorized use and/or reproduction is prohibited.

## True IDE Read/Write Access Timing

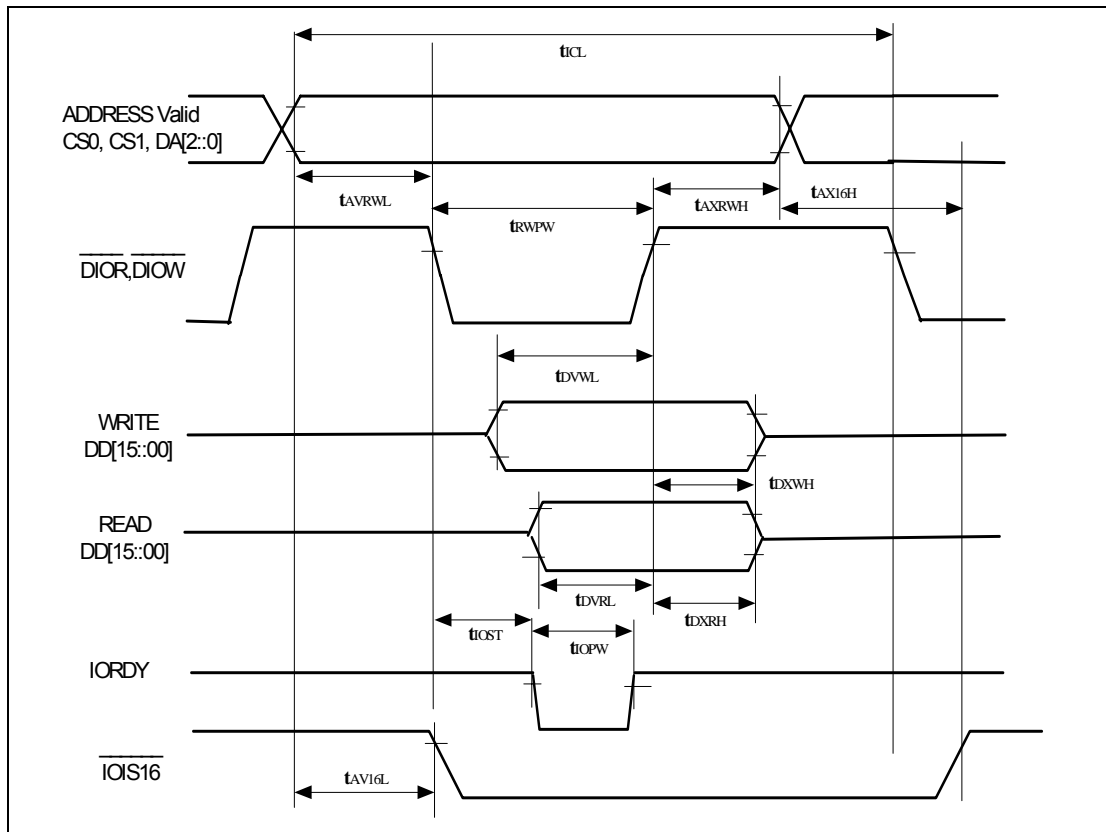


Figure 6: True IDE Read/Write Access Timing Diagram

Table 15: True IDE Read/Write Access Timing

Symbol	Parameter	Minimum	Maximum	Units
$t_{ICL}$	Cycle Time	100	-	ns
$t_{AVRWL}$	Address Valid to DIOR, DIOW Setup Time	15	-	ns
$t_{RWPW}$	DIOR, DIOW Pulse Width	65	-	ns
$t_{DVWL}$	DIOW Data Setup Time	20	-	ns
$t_{DXWH}$	DIOW Data Hold Time	5	-	ns
$t_{DVRL}$	DIOR Data Setup Time	15	-	ns
$t_{DXRH}$	DIOR Data Hold Time	5	-	ns
$t_{AV16L}$	Address Valid to IOCS16 Assertion	-	(1)	ns
$t_{AX16H}$	Address Valid to IOCS16 Negation	-	(1)	ns
$t_{AXRWH}$	DIOW, DIOR to Address Valid Hold Time	10	-	ns
$t_{IOST}$	IORDY Setup Time	-	(1)	ns
$t_{IOPW}$	IORDY Pulse Width	-	(1)	ns

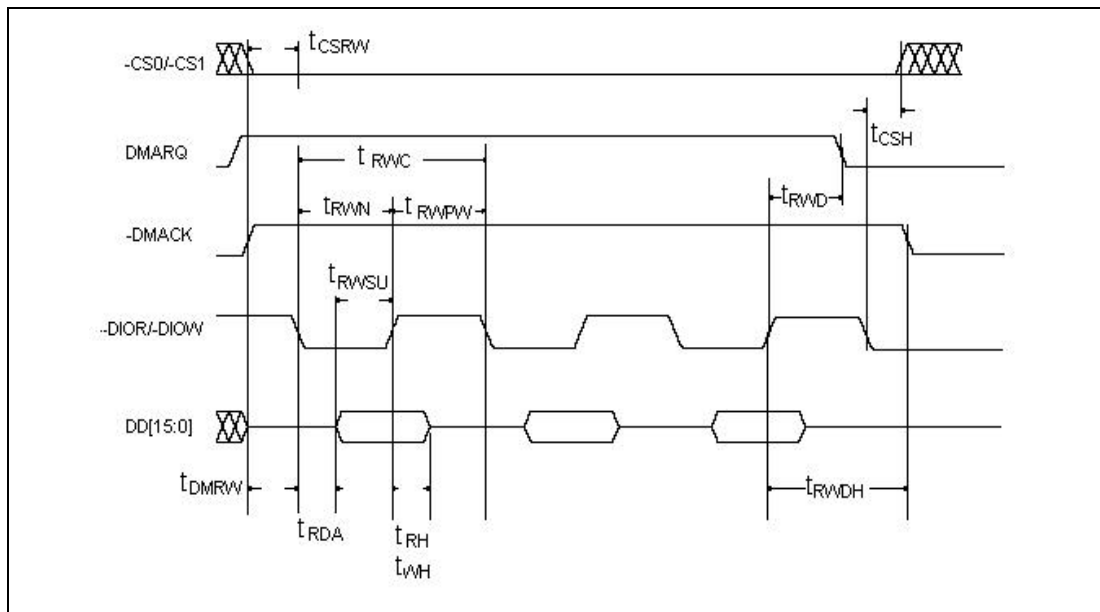
**Note:** (1) IOIS16 and INPACK are not supported.

## SILICONSYSTEMS PROPRIETARY

This document and the information contained within it is confidential and proprietary to SiliconSystems, Inc.  
All unauthorized use and/or reproduction is prohibited.

### True IDE Multiword DMA Read/Write Access Timing

This function does not apply to SiliconDrives that have DMA disabled.



**Figure 7: True IDE Multiword DMA Read/Write Access Timing**

**Table 16: True IDE Multiword DMA Read/Write Access Timing**

Symbol	Parameter	Minimum	Maximum	Units
$t_{RWC}$	Cycle Time (mode 2)	100	-	ns
$t_{RWPW}$	DIOR/DIOW Pulse Width	65	-	ns
$t_{RDA}$	DIOR Data Access	-	50	ns
$t_{RWSU}$	DIOR/DIOW Data Setup Time	15	-	ns
$t_{VH}$	DIOW Data Hold Time	5	-	ns
$t_{RH}$	DIOR Data Hold Time	5	-	ns
$t_{DMRW}$	DMACK to DIOR/DIOW Setup Time	0	-	ns
$t_{RWDH}$	DIOR/DIOW to DMACK Hold Time	5	-	ns
$t_{RWN}$	DIOR/DIOW negated Pulse Width	25	-	ns
$t_{RWD}$	DIOR/DIOW to DMARQ Delay	-	35	ns
$t_{CSRW}$	CS(1:0) valid to DIOR/DIOW	10	-	ns
$t_{CSH}$	CS(1:0) Hold Time	10	-	ns

#### SILICONSYSTEMS PROPRIETARY

This document and the information contained within it is confidential and proprietary to SiliconSystems, Inc.  
All unauthorized use and/or reproduction is prohibited.

## ATA AND TRUE IDE REGISTER DECODING

SiliconDrive can be configured as either a memory-mapped or an I/O device. As noted earlier, communication to and from the drive is accomplished using the ATA Command Block.

### TASK FILE REGISTER SPECIFICATION

The Task File registers are used for reading and writing the storage data in the SiliconDrive. The decoded addresses are as shown in the following table.

**Table 17: Task File Register Specification**

CS0#	CS1#	DA02	DA01	DA00	DIOR# = L	DIOW# = L
0	1	0	0	0	Data	Data
0	1	0	0	1	Error	Feature
0	1	0	1	0	Sector Count	Sector Count
0	1	0	1	1	Sector Number	Sector Number
0	1	1	0	0	Cylinder Low	Cylinder Low
0	1	1	0	1	Cylinder High	Cylinder High
0	1	1	1	0	Drive/Head	Drive/Head
0	1	1	1	1	Status	Command
0	0	X	X	X	Invalid	Invalid
1	1	X	X	X	High-Z	Not Used
1	0	0	X	X	High-Z	Not Used
1	0	1	0	X	High-Z	Not Used
1	0	1	1	0	Alternate Status	Device Control
1	0	1	1	1	Device Address	Not Used

### SILICONSYSTEMS PROPRIETARY

This document and the information contained within it is confidential and proprietary to SiliconSystems, Inc.  
All unauthorized use and/or reproduction is prohibited.



## ATA REGISTERS

### DATA REGISTER

The Data register is a 16-bit register used to transfer data blocks between the host and drive buffers. The register may set to 8-bit mode by using the Set Features Command defined in "[Seek — 7Xh](#)" on page 47.

### ERROR REGISTER

The Error register contains the error status, if any, generated from the last executed ATA command. The contents are qualified by the ERR bit being set in "[Status Register](#)" on page 23.

**Table 18: Error Register**

Operation	D <sub>7</sub>	D <sub>6</sub>	D <sub>5</sub>	D <sub>4</sub>	D <sub>3</sub>	D <sub>2</sub>	D <sub>1</sub>	D <sub>0</sub>
Read	BBK	UNC	MC	IDNF	MCR	ABRT	TKNOF	AMNF
Default Value	0	0	0	0	0	0	0	0

Bit(s)	Description
7	<b>Bad Block Detected (BBK).</b> Set when a bad block is detected.
6	<b>Uncorrectable Data Error (UNC).</b> Set when an uncorrectable error is encountered.
5	<b>Media Changed (MC).</b> Set to 0.
4	<b>ID Not Found (IDNF).</b> Set when the sector ID is not found.
3	<b>MCR (Media Change Request).</b> Set to 0.
2	<b>Aborted Command (ABRT).</b> Set when a command is aborted due to a drive error.
1	<b>Track 0 Not Found (TKONF).</b> Set when the execute drive diagnostic command is executed.
0	<b>Address Mark Not Found (AMNF).</b> Set in the case of a general error.

#### SILICONSYSTEMS PROPRIETARY

This document and the information contained within it is confidential and proprietary to SiliconSystems, Inc.  
All unauthorized use and/or reproduction is prohibited.

**FEATURE REGISTER**

The Feature register is command-specific and used to enable and disable interface features. This register supports only either odd or even byte data transfers.

**Table 19: Feature Register**

Operation	D <sub>7</sub>	D <sub>6</sub>	D <sub>5</sub>	D <sub>4</sub>	D <sub>3</sub>	D <sub>2</sub>	D <sub>1</sub>	D <sub>0</sub>
Read/Write	Feature Byte							

**SILICONSYSTEMS PROPRIETARY**

This document and the information contained within it is confidential and proprietary to SiliconSystems, Inc.  
All unauthorized use and/or reproduction is prohibited.

**SECTOR COUNT REGISTER**

The Sector Count register is used to read or write the sector count of the data for which an ATA transfer has been made.

**Table 20: Sector Count Register**

Operation	D <sub>7</sub>	D <sub>6</sub>	D <sub>5</sub>	D <sub>4</sub>	D <sub>3</sub>	D <sub>2</sub>	D <sub>1</sub>	D <sub>0</sub>
Read/Write	Sector Count							
Default Value	0	0	0	0	0	0	0	1

**SILICONSYSTEMS PROPRIETARY**

This document and the information contained within it is confidential and proprietary to SiliconSystems, Inc.  
All unauthorized use and/or reproduction is prohibited.

## SECTOR NUMBER REGISTER

The Sector Number register is set by the host to specify the starting sector number associated with the next ATA command to be executed. Following a qualified ATA command sequence, the device sets the register value to the last sector read or written as a result of the previous AT command.

When Logical Block Addressing (LBA) mode is implemented and the host issues a command, the contents of the register describe the Logical Block Number bits A[7:0]. Following an ATA command, the device loads the register with the LBA block number resulting from the last ATA command.

**Table 21: Sector Number Register**

Operation	D <sub>7</sub>	D <sub>6</sub>	D <sub>5</sub>	D <sub>4</sub>	D <sub>3</sub>	D <sub>2</sub>	D <sub>1</sub>	D <sub>0</sub>
Read/Write	Sector Number (CHS Addressing)							
	Logical Block Number bits A07-A00 (LBA Addressing)							
Default Value	0	0	0	0	0	0	0	1

---

### SILICONSYSTEMS PROPRIETARY

This document and the information contained within it is confidential and proprietary to SiliconSystems, Inc.  
All unauthorized use and/or reproduction is prohibited.

## CYLINDER LOW REGISTER

The Cylinder Low register is set by the host to specify the cylinder number low byte. Following an ATA command, the content of the register is written by the device, identifying the cylinder number low byte.

In LBA mode, the 8-bit register maintains the contents of the Logical Block number address bits A15:A08.

**Table 22: Cylinder Low Register**

Operation	D <sub>7</sub>	D <sub>6</sub>	D <sub>5</sub>	D <sub>4</sub>	D <sub>3</sub>	D <sub>2</sub>	D <sub>1</sub>	D <sub>0</sub>
Read/Write	Cylinder Number Low Byte (CHS Addressing)							
	Logical Block Number bits A15-A08 (LBA Addressing)							
Default Value	0	0	0	0	0	0	0	0

### SILICONSYSTEMS PROPRIETARY

This document and the information contained within it is confidential and proprietary to SiliconSystems, Inc.  
All unauthorized use and/or reproduction is prohibited.

## CYLINDER HIGH REGISTER

The Cylinder High register is set by the host to specify the cylinder number high byte. Following an ATA command, the content of the register is set internally by the device, identifying the cylinder number high byte.

In LBA mode, the 8-bit register maintains the contents of the Logical Block number address bits A23:A16.

**Table 23: Cylinder High Register**

Operation	D <sub>7</sub>	D <sub>6</sub>	D <sub>5</sub>	D <sub>4</sub>	D <sub>3</sub>	D <sub>2</sub>	D <sub>1</sub>	D <sub>0</sub>
Read/Write	Cylinder Number Low Byte (CHS Addressing)							
	Logical Block Number bits A23-A16 (LBA Addressing)							
Default Value	0	0	0	0	0	0	0	0

### SILICONSYSTEMS PROPRIETARY

This document and the information contained within it is confidential and proprietary to SiliconSystems, Inc.  
All unauthorized use and/or reproduction is prohibited.

## DRIVE/HEAD REGISTER

The Drive/Head register is used by the host and the device to select the type of addressing (CHS or LBA), the drive letter, and either bits 3-0 of the head number in CHS mode or logical block number bits 27-24 in LBA mode.

**Table 24: Drive/Head Register**

Operation	D <sub>7</sub>	D <sub>6</sub>	D <sub>5</sub>	D <sub>4</sub>	D <sub>3</sub>	D <sub>2</sub>	D <sub>1</sub>	D <sub>0</sub>
Read/Write	1	LBA	1	DRV	HS3 LBA27	HS2 LBA26	HS1 LBA25	HS0 LBA24
Default Value	1	0	1	0	0	0	0	0

The Drive/Head register is used by the host to specify one of a pair of ATA drives present in the platform.

Bit(s)	Description
6	<b>LBA.</b> Selects between CHS (0) and LBA (1) addressing mode.
4	<b>Drive Address (DRV).</b> Indicates the drive number selected by the host, either 0 or 1.
3-0	<p>HS3 to 0. Indicates bits 3-0 of the head number in CHS addressing mode or LBA bits 27-24 in LBA mode.</p> <ul style="list-style-type: none"> <li>• CHS to LBA conversion: <math>LBA = (C \times HpC + H) \times SpH + S - 1</math></li> <li>• LBA to CHS conversion: <ul style="list-style-type: none"> <li>◦ <math>C = LBA / (HpC \times SpH)</math></li> <li>◦ <math>H = (LBA / SpH) \bmod (HpC)</math></li> <li>◦ <math>S = (LBA \bmod (SpH)) + 1</math></li> </ul> </li> </ul> <p>...where:</p> <ul style="list-style-type: none"> <li>◦ C is the cylinder number</li> <li>◦ H is the head number</li> <li>◦ S is the sector count</li> <li>◦ HpC is the head count per cylinder count</li> <li>◦ SpH is the sector count per head count (track)</li> </ul>

### SILICONSYSTEMS PROPRIETARY

This document and the information contained within it is confidential and proprietary to SiliconSystems, Inc.  
All unauthorized use and/or reproduction is prohibited.

## STATUS REGISTER

The Status register provides the device's current status to the host. The status register is an 8-bit read-only register. When the contents of the register are read by the host, the IREQ# bit is cleared.

**Table 25: Status Register**

Operation	D <sub>7</sub>	D <sub>6</sub>	D <sub>5</sub>	D <sub>4</sub>	D <sub>3</sub>	D <sub>2</sub>	D <sub>1</sub>	D <sub>0</sub>
Read/Write	BSY	DRDY	DWF	DSC	DRQ	CORR	IDX	ERR
Default Value	0	0	0	0	0	0	0	0

Bit(s)	Description
7	<b>Busy (BSY).</b> Set when the drive is busy and unable to process any new ATA commands.
6	<b>Data Ready (DRDY).</b> Set when the device is ready to accept ATA commands from the host.
5	<b>Drive Write Fault (DWF).</b> Always set to 0.
4	<b>Drive Seek Complete (DSC).</b> Set when the drive heads have been positioned over a specific track.
3	<b>Data Request (DRQ).</b> Set when a device is ready to transfer a word or byte of data to or from the host and the device.
2	<b>Corrected Data (CORR).</b> Always set to 0.
1	<b>Index (IDX).</b> Always set to 0.
0	<b>Error (ERR).</b> Set when an error occurs during the previous ATA command.

### SILICONSYSTEMS PROPRIETARY

This document and the information contained within it is confidential and proprietary to SiliconSystems, Inc.  
All unauthorized use and/or reproduction is prohibited.



## COMMAND REGISTER

The Command register specifies the ATA command code being issued to the drive by the host. Execution of the command begins immediately following the issuance of the command register code by the host.

**Table 26: Command Register**

Operation	D <sub>7</sub>	D <sub>6</sub>	D <sub>5</sub>	D <sub>4</sub>	D <sub>3</sub>	D <sub>2</sub>	D <sub>1</sub>	D <sub>0</sub>
Read/Write	ATA Command Code							

See ["ATA Command Block and Set Description" on page 28](#) for a listing of the supported ATA commands.

---

### SILICONSYSTEMS PROPRIETARY

This document and the information contained within it is confidential and proprietary to SiliconSystems, Inc.  
All unauthorized use and/or reproduction is prohibited.

**ALTERNATE STATUS REGISTER**

The Alternate Status register is a read-only register indicating the status of the device, following the previous ATA command. See ["Status Register" on page 23](#) for specific details.

**Table 27: Alternate Status Register**

Operation	D <sub>7</sub>	D <sub>6</sub>	D <sub>5</sub>	D <sub>4</sub>	D <sub>3</sub>	D <sub>2</sub>	D <sub>1</sub>	D <sub>0</sub>
Read/Write	BSY	DRDY	DWF	DSC	DRQ	CORR	IDX	ERR
Default Value	0	0	0	0	0	0	0	0

**SILICONSYSTEMS PROPRIETARY**

This document and the information contained within it is confidential and proprietary to SiliconSystems, Inc.  
All unauthorized use and/or reproduction is prohibited.

**DEVICE CONTROL REGISTER**

The Device Control register is used to control the interrupt request and issue ATA software resets.

**Table 28: Device Control Register**

Operation	D <sub>7</sub>	D <sub>6</sub>	D <sub>5</sub>	D <sub>4</sub>	D <sub>3</sub>	D <sub>2</sub>	D <sub>1</sub>	D <sub>0</sub>
Write	-	-	-	-	1	SRST	nIEN	0

Bit(s)	Description
7-4	Reserved bits.
3	Always set to 1.
2	<b>Software Reset (SRST)</b> . When set, resets the ATA software.
1	<b>Interrupt Enable (nIEN)</b> . When set, device interrupts are disabled. There is no function in the memory-mapped mode.
0	Always set to 0.

**SILICONSYSTEMS PROPRIETARY**

This document and the information contained within it is confidential and proprietary to SiliconSystems, Inc.  
All unauthorized use and/or reproduction is prohibited.

## DEVICE ADDRESS REGISTER

The Device Address register is used to maintain compatibility with ATA disk drive interfaces.

**Table 29: Device Address Register**

Operation	D <sub>7</sub>	D <sub>6</sub>	D <sub>5</sub>	D <sub>4</sub>	D <sub>3</sub>	D <sub>2</sub>	D <sub>1</sub>	D <sub>0</sub>
Read/Write	-	nWTG	nHS3	nHS2	nHS1	nHS0	nDS1	nDS0
Default Value	0	0	1	1	1	1	1	0

Bit(s)	Description
7	Reserved bit.
6	<b>Write Gate (nWTG)</b> . Low when a write to the device is in process.
5-2	<b>nHS3 to nHS0</b> . The negated binary address of the currently selected head.
1	<b>nDS1</b> . Low when drive 1 is selected and active.
0	<b>nDS0</b> . Low when drive 0 is selected and active.

### SILICONSYSTEMS PROPRIETARY

This document and the information contained within it is confidential and proprietary to SiliconSystems, Inc.  
All unauthorized use and/or reproduction is prohibited.

## ATA COMMAND BLOCK AND SET DESCRIPTION

In accordance with the *ANSI ATA Specification*, the device implements seven registers that are used to transfer instructions to the device by the host. These commands follow the ANSI standard ATA protocol. A description of the ATA command block is provided in the following table.

**Table 30: ATA Command Block and Set Description**

Operation	D <sub>7</sub>	D <sub>6</sub>	D <sub>5</sub>	D <sub>4</sub>	D <sub>3</sub>	D <sub>2</sub>	D <sub>1</sub>	D <sub>0</sub>
Feature					X			
Sector Count					X			
Sector Number					X			
Cylinder Low					X			
Cylinder High					X			
Drive Head	1	LBA	1	Drive			X	
Command					X			

## ATA COMMAND SET

**Table 31: ATA Command Set**

Class	Command Name	Command Code	Registers Used					
			FR	SC	SN	CY	DH	LBA
1	Check Power Mode	98h, E5h	-	-	-	-	D	-
1	Execute Drive Diagnostics	90h	-	-	-	-	D	-
1	Erase Sector	C0h	-	Y	Y	Y	Y	Y
2	Format Track	50h	-	Y	-	Y	Y	Y
1	Identify Drive	ECh	-	-	-	-	D	-
1	Idle	97h, E3h	-	Y	-	-	D	-
1	Idle Immediate	95h, E1h	-		-	-	D	-
1	Initialize Drive Parameters	91h	-	Y	-	-	Y	-
1	Read Buffer	E4h	-	-	-	-	D	-
1	Read DMA*	C8h	-	Y	Y	Y	Y	Y
1	Read Multiple	C4h	-	Y	Y	Y	Y	Y

### SILICONSYSTEMS PROPRIETARY

This document and the information contained within it is confidential and proprietary to SiliconSystems, Inc. All unauthorized use and/or reproduction is prohibited.

**Table 31: ATA Command Set (Continued)**

Class	Command Name	Command Code	Registers Used					
			FR	SC	SN	CY	DH	LBA
1	Read Long Sector	22h, 23h	-	-	Y	Y	Y	Y
1	Read Sector(s)	20h, 21h	-	-	Y	Y	Y	Y
1	Read Verify Sector(s)	40h, 41h	-	Y	Y	Y	Y	Y
1	Recalibrate	1Xh	-	-	-	-	Y	-
1	Request Sense	03h	-	-	-	-	D	-
1	Seek	7Xh	-	-	Y	Y	Y	Y
1	Set Features	EFh	Y	-	-	-	D	-
1	Set Multiple Mode	C6h	-	Y	-	-	D	-
1	Set Sleep Mode	99h, E6h	-	-	-	-	D	-
1	Standby	96h, E2h	-	-	-	-	D	-
1	Standby Immediate	94h, E0h	-	-	-	-	D	-
1	Translate Sector	87h	-	Y	Y	Y	Y	Y
1	Wear Level	F5h	-	-	-	-	Y	-
2	Write Buffer	E8h	-	-	-	-	D	-
1	Write DMA*	CAh	-	Y	Y	Y	Y	Y
2	Write Long Sector	32h, 33h	-	-	Y	Y	Y	Y
3	Write Multiple	C5h	-	Y	Y	Y	Y	Y
3	Write Multiple w/o Erase	CDh	-	Y	Y	Y	Y	Y
2	Write Sector(s)	30h, 31h	-	Y	Y	Y	Y	Y
2	Write Sector(s) w/o Erase	38h	-	Y	Y	Y	Y	Y
3	Write Verify	3Ch	-	Y	Y	Y	Y	Y

\* = This function does not apply to SiliconDrives that have DMA disabled.

**Notes:**

- CY = Cylinder
- SC = Sector Count
- DH = Drive/Head
- SN = Sector Number
- FR = Feature LBA — LBA bit of the Drive/Head register (D denotes that only the drive bit is used)

**SILICONSYSTEMS PROPRIETARY**

This document and the information contained within it is confidential and proprietary to SiliconSystems, Inc.  
All unauthorized use and/or reproduction is prohibited.

**Check Power Mode — 98h, E5h**

The Check Power Mode command verifies the device's current power mode. When the device is configured for standby mode or is entering or exiting standby, the BSY bit is set, the Sector Count register set to 00h, and the BSY bit is cleared. In idle mode, BSY is set and the Sector Count register is set to FFh. The BSY bit is then cleared and an interrupt is issued.

**Table 32: Check Power Mode — 98h, E5h**

Register	D <sub>7</sub>	D <sub>6</sub>	D <sub>5</sub>	D <sub>4</sub>	D <sub>3</sub>	D <sub>2</sub>	D <sub>1</sub>	D <sub>0</sub>
Feature					X			
Sector Count					X			
Sector Number					X			
Cylinder Low					X			
Cylinder High					X			
Drive Head	X	X	X	Drive				
Command								98h or E5h

**SILICONSYSTEMS PROPRIETARY**

This document and the information contained within it is confidential and proprietary to SiliconSystems, Inc.  
All unauthorized use and/or reproduction is prohibited.

**Executive Drive Diagnostic — 90h**

The Executive Drive Diagnostic performs an internal read write diagnostic test using (AA55h and 55AAh). If an error is detected in the read/write buffer, the Error register reports the appropriate diagnostic code.

**Table 33: Executive Drive Diagnostic — 90h**

Register	D <sub>7</sub>	D <sub>6</sub>	D <sub>5</sub>	D <sub>4</sub>	D <sub>3</sub>	D <sub>2</sub>	D <sub>1</sub>	D <sub>0</sub>
Feature					X			
Sector Count					X			
Sector Number					X			
Cylinder Low					X			
Cylinder High					X			
Drive Head	X	X	X					Drive
Command								90h

**SILICONSYSTEMS PROPRIETARY**

This document and the information contained within it is confidential and proprietary to SiliconSystems, Inc.  
All unauthorized use and/or reproduction is prohibited.



**Format Track — 50h**

The Format Track command formats the common solid-state memory array.

**Table 34: Format Track — 50h**

Register	D <sub>7</sub>	D <sub>6</sub>	D <sub>5</sub>	D <sub>4</sub>	D <sub>3</sub>	D <sub>2</sub>	D <sub>1</sub>	D <sub>0</sub>
Feature	X							
Sector Count	Sector Count							
Sector Number	Sector Number (LBA7-0)							
Cylinder Low	Cylinder Low (LBA15-8)							
Cylinder High	Cylinder High (LBA23-16)							
Drive Head	1	LBA	1	Drive	Head Number (LBA27-24)			
Command	50h							

**SILICONSYSTEMS PROPRIETARY**

This document and the information contained within it is confidential and proprietary to SiliconSystems, Inc.  
All unauthorized use and/or reproduction is prohibited.

**Identify Drive — ECh**

Issued by the host, the Identify Drive command provides 256 bytes of drive attribute data (i.e., sector size, count, and so on) The identify drive data structure is detailed in the following table.

**Table 35: Identify Drive — ECh**

Register	D <sub>7</sub>	D <sub>6</sub>	D <sub>5</sub>	D <sub>4</sub>	D <sub>3</sub>	D <sub>2</sub>	D <sub>1</sub>	D <sub>0</sub>
Feature					X			
Sector Count					X			
Sector Number					X			
Cylinder Low					X			
Cylinder High					X			
Drive Head	X	X	X	Drive			X	
Command					ECh			

**SILICONSYSTEMS PROPRIETARY**

This document and the information contained within it is confidential and proprietary to SiliconSystems, Inc.  
All unauthorized use and/or reproduction is prohibited.

*Identify Drive — Drive Attribute Data***Table 36: Identify Drive — Drive Attribute Data**

Word Address	Data Default	Bytes	Data Description
0	045Ah	2	General configuration bit information <ul style="list-style-type: none"> <li>• 15: Non-magnetic disk</li> <li>• 14: Formatting speed latency permissible gap needed</li> <li>• 13: Track Offset option supported</li> <li>• 12: Data Strobe Offset option supported</li> <li>• 11: Over 0.5% rotational speed difference</li> <li>• 10: Disk transfer rate &gt;10Mbps</li> <li>• 9: 10Mbps &gt;= disk transfer rate &gt;5Mbps</li> <li>• 8: 5Mbps &gt;= disk transfer rate</li> <li>• 7: Removable cartridge drive</li> <li>• 6: Fixed drive</li> <li>• 5: Spindle Motor Control option executed</li> <li>• 4: Over 15<math>\mu</math>s changing head time</li> <li>• 3: Non-MFM encoding</li> <li>• 2: Soft sector allocation</li> <li>• 1: Hard sector allocation</li> <li>• 0: Reserved</li> </ul>
1	XXXXh	2	Number of cylinders
2	0000h	2	Reserved
3	00XXh	2	Number of heads
4	0000h	2	Number of unformatted bytes per track
5	XXXXh	2	Number of unformatted bytes per sector
6	XXXXh	2	Number of sectors per track
7-8	XXXXh	4	Number of sectors per device
9	0000h	2	Reserved
10-19	XXXXh	20	Serial number

**SILICONSYSTEMS PROPRIETARY**

This document and the information contained within it is confidential and proprietary to SiliconSystems, Inc.  
All unauthorized use and/or reproduction is prohibited.

**Table 36: Identify Drive — Drive Attribute Data (Continued)**

Word Address	Data Default	Bytes	Data Description
20	0001h	2	Buffer type <ul style="list-style-type: none"> <li>• 0000h: Not specified</li> <li>• 0001h: A single-ported, single-sector buffer</li> <li>• 0002h: A dual-ported multisector buffer</li> <li>• 0003h: A dual-ported multisector buffer with a read caching</li> </ul>
21	0001h	2	Buffer size in 512-byte increments
22	0004h	2	Number of ECC bytes passed on read/write long commands
23-26	XXXXh	8	Firmware revision (eight ASCII characters)
27-46	XXXXh	40	Model number (40 ASCII characters)
47	0001h	2	7-0: Maximum number of sectors that can be transferred with a Read/Write Multiple command per interrupt
48	0000h	2	Double word (32 bit) not supported
49	0f00h	2	<ul style="list-style-type: none"> <li>• 11: IORDY supported</li> <li>• 9: LBA supported</li> <li>• 8: DMA supported</li> </ul>
50	0000h	2	Reserved
51	0200h	2	15-8: PIO data transfer cycle timing
52	0000h	2	15-8: DMA data transfer cycle timing
53	0003h	2	<ul style="list-style-type: none"> <li>• 1: Words 64-70 are valid</li> <li>• 0: Words 54-58 are valid</li> </ul>
54	XXXXh	2	Current number of cylinders
55	XXXXh	2	Current number of heads
56	XXXXh	2	Current sectors per track
57-58	XXXXh	4	Current capacity in sectors
59	010Xh	2	7-0: Current sectors can be transferred with a Read/Write Multiple command per interrupt
60-61	XXXXh	4	Total number of sectors addressable in LBA mode
62	0000h	2	Single-word DMA modes supported

**SILICONSYSTEMS PROPRIETARY**

This document and the information contained within it is confidential and proprietary to SiliconSystems, Inc.  
All unauthorized use and/or reproduction is prohibited.

**Table 36: Identify Drive — Drive Attribute Data (Continued)**

Word Address	Data Default	Bytes	Data Description
63	0407h	2	Multiword DMA modes supported
64	0003h	2	PIO modes supported
65	0078h	2	Minimum DMA transfer cycle time per word (ns)
66	0078h	2	Manufacturer's recommended DMA transfer cycle time (ns)

**SILICONSYSTEMS PROPRIETARY**

This document and the information contained within it is confidential and proprietary to SiliconSystems, Inc.  
All unauthorized use and/or reproduction is prohibited.

**Idle — 97h, E3h**

When issued by the host, the device's internal controller sets the BSY bit, enters the Idle mode, clears the BSY bit, and generates an interrupt. If the sector count is non-zero, it is interpreted as a timer count with each count being 5ms, and the automatic power-down mode is enabled. If the sector count is zero, the automatic power-down mode is disabled.

**Table 37: Idle — 97h, E3h**

Register	D <sub>7</sub>	D <sub>6</sub>	D <sub>5</sub>	D <sub>4</sub>	D <sub>3</sub>	D <sub>2</sub>	D <sub>1</sub>	D <sub>0</sub>
Feature	X							
Sector Count	Timer Count (5ms increments)							
Sector Number	X							
Cylinder Low	X							
Cylinder High	X							
Drive Head	X	X	X	Drive	X			
Command	97h or E3h							

**SILICONSYSTEMS PROPRIETARY**

This document and the information contained within it is confidential and proprietary to SiliconSystems, Inc.  
All unauthorized use and/or reproduction is prohibited.

**Idle Immediate — 95h, E1h**

When issued by the host, the device's internal controller sets the BSY bit, enters Idle Mode, clears the BSY bit, and issues an interrupt. The interrupt is issued whether or not the Idle mode is fully entered.

**Table 38: Idle Immediate — 95h, E1h**

Register	D <sub>7</sub>	D <sub>6</sub>	D <sub>5</sub>	D <sub>4</sub>	D <sub>3</sub>	D <sub>2</sub>	D <sub>1</sub>	D <sub>0</sub>
Feature					X			
Sector Count					X			
Sector Number					X			
Cylinder Low					X			
Cylinder High					X			
Drive Head	X	X	X	Drive			X	
Command	95h or E1h							

**SILICONSYSTEMS PROPRIETARY**

This document and the information contained within it is confidential and proprietary to SiliconSystems, Inc.  
All unauthorized use and/or reproduction is prohibited.

**Initialize Drive Parameters — 91h**

Initialize Drive Parameters allows the host to set the sector counts per track and the head counts per cylinder to 1 Fixed. Upon issuance of the command, the device sets the BSY bit and associated parameters, clears the BSY bit, and issues an interrupt.

**Table 39: Initialize Drive Parameters — 91h**

Register	D <sub>7</sub>	D <sub>6</sub>	D <sub>5</sub>	D <sub>4</sub>	D <sub>3</sub>	D <sub>2</sub>	D <sub>1</sub>	D <sub>0</sub>
Feature	X							
Sector Count	Sector Count (Number of Sectors)							
Sector Number	X							
Cylinder Low	X							
Cylinder High	X							
Drive Head	X	0	X	Drive	Head Number (Number of Heads — 1)			
Command	91h							

**SILICONSYSTEMS PROPRIETARY**

This document and the information contained within it is confidential and proprietary to SiliconSystems, Inc.  
All unauthorized use and/or reproduction is prohibited.



**Recalibrate — 1Xh**

The Recalibrate command sets the cylinder low and high, head number to 0h, and sector number to 1h in CHS mode. In LBA mode (i.e., LBA = 1), the sector number is set to 0h.

**Table 40: Recalibrate — 1Xh**

Register	D <sub>7</sub>	D <sub>6</sub>	D <sub>5</sub>	D <sub>4</sub>	D <sub>3</sub>	D <sub>2</sub>	D <sub>1</sub>	D <sub>0</sub>
Feature					X			
Sector Count					X			
Sector Number					X			
Cylinder Low					X			
Cylinder High					X			
Drive Head	1	LBA	1	Drive			X	
Command								1Xh

**SILICONSYSTEMS PROPRIETARY**

This document and the information contained within it is confidential and proprietary to SiliconSystems, Inc.  
All unauthorized use and/or reproduction is prohibited.

**Read Buffer — E4h**

The Read Buffer command allows the host to read the contents of the sector buffer. When issued, the device sets the BSY bit and sets up the sector buffer data in preparation for the read operation. When the data is ready, the DRQ bit is set and the BSY bit in the Status register are set and cleared, respectively.

**Table 41: Read Buffer — E4h**

Register	D <sub>7</sub>	D <sub>6</sub>	D <sub>5</sub>	D <sub>4</sub>	D <sub>3</sub>	D <sub>2</sub>	D <sub>1</sub>	D <sub>0</sub>
Feature					X			
Sector Count					X			
Sector Number					X			
Cylinder Low					X			
Cylinder High					X			
Drive Head	X	X	X	Drive			X	
Command					E4h			

**SILICONSYSTEMS PROPRIETARY**

This document and the information contained within it is confidential and proprietary to SiliconSystems, Inc.  
All unauthorized use and/or reproduction is prohibited.

**Read DMA — C8h**

The Read DMA command allows the host to read data using the DMA transfer protocol.

**Note:** This function does not apply to SiliconDrives that have DMA disabled.

**Table 42: Read DMA — C8h**

Register	D <sub>7</sub>	D <sub>6</sub>	D <sub>5</sub>	D <sub>4</sub>	D <sub>3</sub>	D <sub>2</sub>	D <sub>1</sub>	D <sub>0</sub>
Feature	X							
Sector Count	Sector Count							
Sector Number	Sector Number (LBA7-0)							
Cylinder Low	Cylinder Low (LBA15-8)							
Cylinder High	Cylinder High (LBA23-16)							
Drive Head	1	LBA	1	Drive	Head Number (LBA27-24)			
Command	C8h							

**SILICONSYSTEMS PROPRIETARY**

This document and the information contained within it is confidential and proprietary to SiliconSystems, Inc.  
All unauthorized use and/or reproduction is prohibited.

**Read Multiple — C4h**

The Read Multiple command executes similarly to the Read Sector command, with the exception that interrupts are issued only when a block containing the counts of sectors defined by the Set Multiple command is transferred.

**Table 43: Read Multiple — C4h**

Register	D <sub>7</sub>	D <sub>6</sub>	D <sub>5</sub>	D <sub>4</sub>	D <sub>3</sub>	D <sub>2</sub>	D <sub>1</sub>	D <sub>0</sub>
Feature	X							
Sector Count	Sector Count							
Sector Number	Sector Number (LBA7-0)							
Cylinder Low	Cylinder Low (LBA15-8)							
Cylinder High	Cylinder High (LBA23-16)							
Drive Head	1	LBA	1	Drive	Head Number (LBA27-24)			
Command	C4h							

**SILICONSYSTEMS PROPRIETARY**

This document and the information contained within it is confidential and proprietary to SiliconSystems, Inc.  
All unauthorized use and/or reproduction is prohibited.

**Read Sector — 20h, 21h**

The Read Sector command allows the host to read sectors 1 to 256 as specified in the Sector Count register. If the sector count is set to 0h, all 256 sectors of data are made available. When the command code is issued and the first sector of data has been transferred to the buffer, the DRQ bit is set. The Read Sector command is terminated by writing the cylinder, head, and sector number of the last sector read in the task file. On error, the read operation is aborted in the errant sector.

**Table 44: Read Sector — 20h, 21h**

Register	D <sub>7</sub>	D <sub>6</sub>	D <sub>5</sub>	D <sub>4</sub>	D <sub>3</sub>	D <sub>2</sub>	D <sub>1</sub>	D <sub>0</sub>
Feature	X							
Sector Count	Sector Count							
Sector Number	Sector Number (LBA7-0)							
Cylinder Low	Cylinder Low (LBA15-8)							
Cylinder High	Cylinder High (LBA23-16)							
Drive Head	1	LBA	1	Drive	Head Number (LBA27-24)			
Command	20h or 21h							

**SILICONSYSTEMS PROPRIETARY**

This document and the information contained within it is confidential and proprietary to SiliconSystems, Inc.  
All unauthorized use and/or reproduction is prohibited.

**Read Long Sector(s) — 22h, 23h**

The Read Long Sector(s) command operates similarly to the Read Sector(s) command, with the exception that it transfers requested data sectors and ECC data. The long instruction ECC byte transfer for Long commands is a byte transfer at a fixed length of 4 bytes.

**Table 45: Read Long Sector(s) — 22h, 23h**

Register	D <sub>7</sub>	D <sub>6</sub>	D <sub>5</sub>	D <sub>4</sub>	D <sub>3</sub>	D <sub>2</sub>	D <sub>1</sub>	D <sub>0</sub>
Feature	X							
Sector Count	X							
Sector Number	Sector Number (LBA7-0)							
Cylinder Low	Cylinder Low (LBA15-8)							
Cylinder High	Cylinder High (LBA23-16)							
Drive Head	1	LBA	1	Drive	Head Number (LBA27-24)			
Command	22h or 23h							

**SILICONSYSTEMS PROPRIETARY**

This document and the information contained within it is confidential and proprietary to SiliconSystems, Inc.  
All unauthorized use and/or reproduction is prohibited.

**Read Verify Sector(s) — 40h, 41h**

The Read Verify Sector(s) command operates similarly to the Read Sector(s) command, with the exception that it does not set the DRQ bit and does not transfer data to the host. When the requested sectors are verified, the onboard controller clears the BSY bit and issues an interrupt.

**Table 46: Read Verify Sector(s) — 40h, 41h**

Register	D <sub>7</sub>	D <sub>6</sub>	D <sub>5</sub>	D <sub>4</sub>	D <sub>3</sub>	D <sub>2</sub>	D <sub>1</sub>	D <sub>0</sub>
Feature	X							
Sector Count	Sector Count							
Sector Number	Sector Number (LBA7-0)							
Cylinder Low	Cylinder Low (LBA15-8)							
Cylinder High	Cylinder High (LBA23-16)							
Drive Head	1	LBA	1	Drive	Head Number (LBA27-24)			
Command	40h or 41h							

**SILICONSYSTEMS PROPRIETARY**

This document and the information contained within it is confidential and proprietary to SiliconSystems, Inc.  
All unauthorized use and/or reproduction is prohibited.

**Seek — 7Xh**

The Seek command seeks and picks up the head to the tracks specified in the task file. When the command is issued, the solid-state memory chips do not need to be formatted. After an appropriate amount of time, the DSC bit is set.

**Table 47: Seek — 7Xh**

Register	D <sub>7</sub>	D <sub>6</sub>	D <sub>5</sub>	D <sub>4</sub>	D <sub>3</sub>	D <sub>2</sub>	D <sub>1</sub>	D <sub>0</sub>
Feature	X							
Sector Count	X							
Sector Number	Sector Number (LBA7-0)							
Cylinder Low	Cylinder Low (LBA15-8)							
Cylinder High	Cylinder High (LBA23-16)							
Drive Head	1	LBA	1	Drive	Head Number (LBA27-24)			
Command	7Xh							

**SILICONSYSTEMS PROPRIETARY**

This document and the information contained within it is confidential and proprietary to SiliconSystems, Inc.  
All unauthorized use and/or reproduction is prohibited.



**Set Features — EFh**

The Set Features command allows the host to configure the feature set of the device according to the attributes listed in [Table 49](#).

**Table 48: Set Features — EFh**

Register	D <sub>7</sub>	D <sub>6</sub>	D <sub>5</sub>	D <sub>4</sub>	D <sub>3</sub>	D <sub>2</sub>	D <sub>1</sub>	D <sub>0</sub>
Feature	Feature							
Sector Count	X							
Sector Number	X							
Cylinder Low	X							
Cylinder High	X							
Drive Head	X	X	X	Drive	X			
Command	EFh							

**Table 49: Set Features' Attributes**

Feature	Operation
01h	Enable 8-bit data transfer
66h	Disable reverting to power on defaults
81h	Disable 8-bit data transfer
BBh	4 bytes of data apply on Read/Write Long commands
CCh	Enable revert to power on defaults

On power-up or following a hardware reset, the device is set to the default mode 81h.

**SILICONSYSTEMS PROPRIETARY**

This document and the information contained within it is confidential and proprietary to SiliconSystems, Inc.  
All unauthorized use and/or reproduction is prohibited.

**Set Multiple Mode — C6h**

The Set Multiple Mode command allows the host to access the drive via Read Multiple and Write Multiple ATA commands. Additionally, the command sets the block count (i.e., the number of sectors within the block) for the Read/Write Multiple command. The sector count per block is set in the Sector Count register.

**Table 50: Set Multiple Mode — C6h**

Register	D <sub>7</sub>	D <sub>6</sub>	D <sub>5</sub>	D <sub>4</sub>	D <sub>3</sub>	D <sub>2</sub>	D <sub>1</sub>	D <sub>0</sub>
Feature	X							
Sector Count	Sector Count							
Sector Number	X							
Cylinder Low	X							
Cylinder High	X							
Drive Head	X	X	X	Drive	X			
Command	C6h							

**SILICONSYSTEMS PROPRIETARY**

This document and the information contained within it is confidential and proprietary to SiliconSystems, Inc.  
All unauthorized use and/or reproduction is prohibited.

**Set Sleep Mode — 99h, E6h**

The Set Sleep Mode command allows the host to set the device in sleep mode. When the onboard controller transitions to sleep mode, it clears the BSY bit and issues an interrupt. The device interface then becomes inactive. Sleep mode can be exited by issuing either a hardware or software reset.

**Table 51: Set Sleep Mode — 99h, E6h**

Register	D <sub>7</sub>	D <sub>6</sub>	D <sub>5</sub>	D <sub>4</sub>	D <sub>3</sub>	D <sub>2</sub>	D <sub>1</sub>	D <sub>0</sub>
Feature					X			
Sector Count					X			
Sector Number					X			
Cylinder Low					X			
Cylinder High					X			
Drive Head	X	X	X	Drive			X	
Command								99h or E6h

**SILICONSYSTEMS PROPRIETARY**

This document and the information contained within it is confidential and proprietary to SiliconSystems, Inc.  
All unauthorized use and/or reproduction is prohibited.

**Standby — 96h, E2h**

When the Standby command is issued by the host, it transitions the device into standby mode. If the Sector Count register is set to a value other than 0h, the Auto Powerdown function is enabled and the device returns to Idle mode.

**Table 52: Standby — 96h, E2h**

Register	D <sub>7</sub>	D <sub>6</sub>	D <sub>5</sub>	D <sub>4</sub>	D <sub>3</sub>	D <sub>2</sub>	D <sub>1</sub>	D <sub>0</sub>
Feature	X							
Sector Count	Timer Count (5ms x Timer Count)							
Sector Number	X							
Cylinder Low	X							
Cylinder High	X							
Drive Head	X	X	X	Drive	X			
Command	96h or E2h							

**SILICONSYSTEMS PROPRIETARY**

This document and the information contained within it is confidential and proprietary to SiliconSystems, Inc.  
All unauthorized use and/or reproduction is prohibited.

**Standby Immediate — 94h, E0h**

When the Standby Immediate command is issued by the host, it transitions the device into standby mode.

**Table 53: Standby Immediate — 94h, E0h**

Register	D <sub>7</sub>	D <sub>6</sub>	D <sub>5</sub>	D <sub>4</sub>	D <sub>3</sub>	D <sub>2</sub>	D <sub>1</sub>	D <sub>0</sub>
Feature					X			
Sector Count					X			
Sector Number					X			
Cylinder Low					X			
Cylinder High					X			
Drive Head	X	X	X	Drive			X	
Command	94h or E0h							

**SILICONSYSTEMS PROPRIETARY**

This document and the information contained within it is confidential and proprietary to SiliconSystems, Inc.  
All unauthorized use and/or reproduction is prohibited.

**Write Buffer — E8h**

The Write Buffer command allows the host to rewrite the contents of the 512- byte data buffer with the wanted data.

**Table 54: Write Buffer — E8h**

Register	D <sub>7</sub>	D <sub>6</sub>	D <sub>5</sub>	D <sub>4</sub>	D <sub>3</sub>	D <sub>2</sub>	D <sub>1</sub>	D <sub>0</sub>
Feature					X			
Sector Count					X			
Sector Number					X			
Cylinder Low					X			
Cylinder High					X			
Drive Head	X	X	X	Drive			X	
Command	E8h							

**SILICONSYSTEMS PROPRIETARY**

This document and the information contained within it is confidential and proprietary to SiliconSystems, Inc.  
All unauthorized use and/or reproduction is prohibited.

**Write DMA — CAh**

The Write DMA command allows the host to write data using the DMA transfer protocol.

**Note:** This function does not apply to SiliconDrives that have DMA disabled.

**Table 55: Write DMA — CAh**

Register	D <sub>7</sub>	D <sub>6</sub>	D <sub>5</sub>	D <sub>4</sub>	D <sub>3</sub>	D <sub>2</sub>	D <sub>1</sub>	D <sub>0</sub>
Feature	X							
Sector Count	Sector Count							
Sector Number	Sector Number (LBA7-0)							
Cylinder Low	Cylinder Low(LBA15-8)							
Cylinder High	Cylinder High(LBA23-16)							
Drive Head	X	LBA	X	Drive	Head Number(LBA27-24)			
Command	CAh							

**SILICONSYSTEMS PROPRIETARY**

This document and the information contained within it is confidential and proprietary to SiliconSystems, Inc.  
All unauthorized use and/or reproduction is prohibited.

**Write Multiple — C5h**

The Write Multiple command operates in the same manner as the Write Sector command. When issued, the device sets the BSY bit within 400ns and generates an interrupt at the completion of a transferred block of sectors. The DRQ bit is set at the beginning of a block transfer.

**Table 56: Write Multiple — C5h**

Register	D <sub>7</sub>	D <sub>6</sub>	D <sub>5</sub>	D <sub>4</sub>	D <sub>3</sub>	D <sub>2</sub>	D <sub>1</sub>	D <sub>0</sub>
Feature	X							
Sector Count	Sector Count							
Sector Number	Sector Number (LBA7-0)							
Cylinder Low	Cylinder Low(LBA15-8)							
Cylinder High	Cylinder High(LBA23-16)							
Drive Head	X	LBA	X	Drive	Head Number(LBA27-24)			
Command	C5h							

**SILICONSYSTEMS PROPRIETARY**

This document and the information contained within it is confidential and proprietary to SiliconSystems, Inc.  
All unauthorized use and/or reproduction is prohibited.



**Write Sector(s) — 30h, 31h**

The Write Sector(s) command writes from 1 to 256 sectors as specified in the Sector Count register. A sector count of 0 requests 256 sectors. When issued, the device sets the BSY bit within 400ns and generates an interrupt at the completion of a transferred block of sectors. The DRQ bit is set at the beginning of a block transfer.

**Table 57: Write Sector(s) — 30h, 31h**

Register	D <sub>7</sub>	D <sub>6</sub>	D <sub>5</sub>	D <sub>4</sub>	D <sub>3</sub>	D <sub>2</sub>	D <sub>1</sub>	D <sub>0</sub>
Feature	X							
Sector Count	Sector Count							
Sector Number	Sector Number (LBA7-0)							
Cylinder Low	Cylinder Low (LBA15-8)							
Cylinder High	Cylinder High (LBA23-16)							
Drive Head	X	LBA	X	Drive	Head Number (LBA27-24)			
Command	30h or 31h							

**SILICONSYSTEMS PROPRIETARY**

This document and the information contained within it is confidential and proprietary to SiliconSystems, Inc.  
All unauthorized use and/or reproduction is prohibited.

**Write Long Sector(s) — 32h, 33h**

The Write Long Sector(s) command operates in the same manner as the Write Sector command — when issued, the device sets the BSY bit within 400ns and generates an interrupt at the completion of a transferred block of sectors. The DRQ bit is set at the beginning of a block transfer.

**Table 58: Write Long Sector(s) — 32h, 33h**

Register	D <sub>7</sub>	D <sub>6</sub>	D <sub>5</sub>	D <sub>4</sub>	D <sub>3</sub>	D <sub>2</sub>	D <sub>1</sub>	D <sub>0</sub>
Feature	X							
Sector Count	Sector Count							
Sector Number	Sector Number (LBA7-0)							
Cylinder Low	Cylinder Low (LBA15-8)							
Cylinder High	Cylinder High (LBA23-16)							
Drive Head	X	LBA	X	Drive	Head Number (LBA27-24)			
Command	32h or 33h							

**SILICONSYSTEMS PROPRIETARY**

This document and the information contained within it is confidential and proprietary to SiliconSystems, Inc.  
All unauthorized use and/or reproduction is prohibited.

**Erase Sector(s) — C0h**

The Erase Sector(s) command is issued prior to the issuance of a Write Sector(s) or Write Multiple w/o Erase command.

**Table 59: Erase Sector(s) — C0h**

Register	D <sub>7</sub>	D <sub>6</sub>	D <sub>5</sub>	D <sub>4</sub>	D <sub>3</sub>	D <sub>2</sub>	D <sub>1</sub>	D <sub>0</sub>
Feature	X							
Sector Count	Sector Count							
Sector Number	Sector Number (LBA7-0)							
Cylinder Low	Cylinder Low (LBA15-8)							
Cylinder High	Cylinder High (LBA23-16)							
Drive Head	X	LBA	X	Drive	Head Number (LBA27-24)			
Command	C0h							

**SILICONSYSTEMS PROPRIETARY**

This document and the information contained within it is confidential and proprietary to SiliconSystems, Inc.  
All unauthorized use and/or reproduction is prohibited.

**Request Sense — 03h**

The Request Sense command identifies the extended error codes generated by the preceding ATA command. The Request Sense command must be issued immediately following the detection of an error via the Error register.

**Table 60: Request Sense — 03h**

Register	D <sub>7</sub>	D <sub>6</sub>	D <sub>5</sub>	D <sub>4</sub>	D <sub>3</sub>	D <sub>2</sub>	D <sub>1</sub>	D <sub>0</sub>
Feature					X			
Sector Count					X			
Sector Number					X			
Cylinder Low					X			
Cylinder High					X			
Drive Head	1	X	1	Drive			X	
Command					03h			

The extended error codes are defined in the following table.

**Table 61: Extended Error Codes**

Extended Error Codes	Description
00h	No error detected
01h	Self test is OK (no error)
09h	Miscellaneous error
20h	Invalid command
21h	Invalid address (requested head or sector invalid)
2Fh	Address overflow (address too large)
35h, 36h	Supply or generated voltage out of tolerance
11h	Uncorrectable ECC error
18h	Corrected ECC error
05h, 30h-32h, 37h, 3Eh	Self test of diagnostic failed
10h, 14h	ID not found
3Ah	Spare sectors exhausted
1Fh	Data transfer error/aborted command
0Ch, 38h, 3Bh, 3Ch, 3Fh	Computed media format
03h	Write/erase failed

**SILICONSYSTEMS PROPRIETARY**

This document and the information contained within it is confidential and proprietary to SiliconSystems, Inc.  
All unauthorized use and/or reproduction is prohibited.

**Translate Sector — 87h**

The Translate Sector command is not currently supported by the SiliconSystems' SiliconDrive. If the host issues this command, the device responds with 0x00h in the data register.

**Table 62: Translate Sector — 87h**

Register	D <sub>7</sub>	D <sub>6</sub>	D <sub>5</sub>	D <sub>4</sub>	D <sub>3</sub>	D <sub>2</sub>	D <sub>1</sub>	D <sub>0</sub>
Feature	X							
Sector Count	Sector Count							
Sector Number	Sector Number (LBA7-0)							
Cylinder Low	Cylinder Low (LBA15-8)							
Cylinder High	Cylinder High (LBA23-16)							
Drive Head	1	LBA	1	Drive	Head Number (LBA27-24)			
Command	87h							

**SILICONSYSTEMS PROPRIETARY**

This document and the information contained within it is confidential and proprietary to SiliconSystems, Inc.  
All unauthorized use and/or reproduction is prohibited.

**Wear-Level — F5h**

The Wear-Level command is supported as an NOP command for the purposes of backward compatibility with the ANSI AT attachment standard. This command sets the Sector Count register to 0x00h.

**Table 63: Wear-Level — F5h**

Register	D <sub>7</sub>	D <sub>6</sub>	D <sub>5</sub>	D <sub>4</sub>	D <sub>3</sub>	D <sub>2</sub>	D <sub>1</sub>	D <sub>0</sub>
Feature	X							
Sector Count	Completion Status							
Sector Number	X							
Cylinder Low	X							
Cylinder High	X							
Drive Head	X	X	X	Drive	Flag			
Command	F5h							

**SILICONSYSTEMS PROPRIETARY**

This document and the information contained within it is confidential and proprietary to SiliconSystems, Inc.  
All unauthorized use and/or reproduction is prohibited.

**Write Multiple w/o Erase — CDh**

The Write Multiple w/o Erase command functions identically to the Write Multiple command, with the exception that the implied pre-erase (i.e., Erase Sector(s) command) is not issued prior to writing the sectors.

**Table 64: Write Multiple w/o Erase — CDh**

Register	D <sub>7</sub>	D <sub>6</sub>	D <sub>5</sub>	D <sub>4</sub>	D <sub>3</sub>	D <sub>2</sub>	D <sub>1</sub>	D <sub>0</sub>
Feature	X							
Sector Count	Sector Count							
Sector Number	Sector Number (LBA7-0)							
Cylinder Low	Cylinder Low (LBA15-8)							
Cylinder High	Cylinder High (LBA23-16)							
Drive Head	X	LBA	X	Drive	Head Number (LBA27-24)			
Command	CDh							

**SILICONSYSTEMS PROPRIETARY**

This document and the information contained within it is confidential and proprietary to SiliconSystems, Inc.  
All unauthorized use and/or reproduction is prohibited.

**Write Sector(s) w/o Erase — 38h**

The Write Sector(s) w/o Erase command functions similar to the Write Sector command, with the exception that the implied pre-erase (i.e., Erase Sector(s) command) is not issued prior to writing the sectors.

**Table 65: Write Sector(s) w/o Erase — 38h**

Register	D <sub>7</sub>	D <sub>6</sub>	D <sub>5</sub>	D <sub>4</sub>	D <sub>3</sub>	D <sub>2</sub>	D <sub>1</sub>	D <sub>0</sub>
Feature	X							
Sector Count	Sector Count							
Sector Number	Sector Number (LBA7-0)							
Cylinder Low	Cylinder Low (LBA15-8)							
Cylinder High	Cylinder High (LBA23-16)							
Drive Head	X	LBA	X	Drive	Head Number (LBA27-24)			
Command	38h							

**SILICONSYSTEMS PROPRIETARY**

This document and the information contained within it is confidential and proprietary to SiliconSystems, Inc.  
All unauthorized use and/or reproduction is prohibited.



**Write Verify — 3Ch**

The Write Verify command verifies each sector immediately after it is written. This command performs identically to the Write Sector(s) command, with the added feature of verifying each sector written.

**Table 66: Write Verify — 3Ch**

Register	D <sub>7</sub>	D <sub>6</sub>	D <sub>5</sub>	D <sub>4</sub>	D <sub>3</sub>	D <sub>2</sub>	D <sub>1</sub>	D <sub>0</sub>
Feature	X							
Sector Count	Sector Count							
Sector Number	Sector Number (LBA7-0)							
Cylinder Low	Cylinder Low (LBA15-8)							
Cylinder High	Cylinder High (LBA23-16)							
Drive Head	X	LBA	X	Drive	Head Number (LBA27-24)			
Command	3Ch							

**SILICONSYSTEMS PROPRIETARY**

This document and the information contained within it is confidential and proprietary to SiliconSystems, Inc.  
All unauthorized use and/or reproduction is prohibited.

## SALES AND SUPPORT

To order or obtain information on pricing and delivery, contact your SiliconSystems Sales Representative.

## PART NUMBERING

### NOMENCLATURE

The following table defines the SiliconDrive 1.8" Drive part numbering scheme.

**Table 67: Part Numbering Nomenclature**

<b>SSD-</b>	<b>H</b>	<b>YYY</b>	<b>T</b>	<b>-3500</b> Part number suffix — contact your SiliconSystems' Sales Representative
				Temperature Range: • Blank = Commercial • I = Industrial
				Capacity: 32M = 32MB to 16G = 16GB
	Form Factor: • C = CF • D = 2.5" Drive • H = 1.8" Drive • M = Module • P = PC Card			
SiliconSystems' SiliconDrive				

### SILICONSYSTEMS PROPRIETARY

This document and the information contained within it is confidential and proprietary to SiliconSystems, Inc.  
All unauthorized use and/or reproduction is prohibited.

## PART NUMBERS

The following table lists the SiliconDrive's part numbers.

**Table 68: Part Numbers**

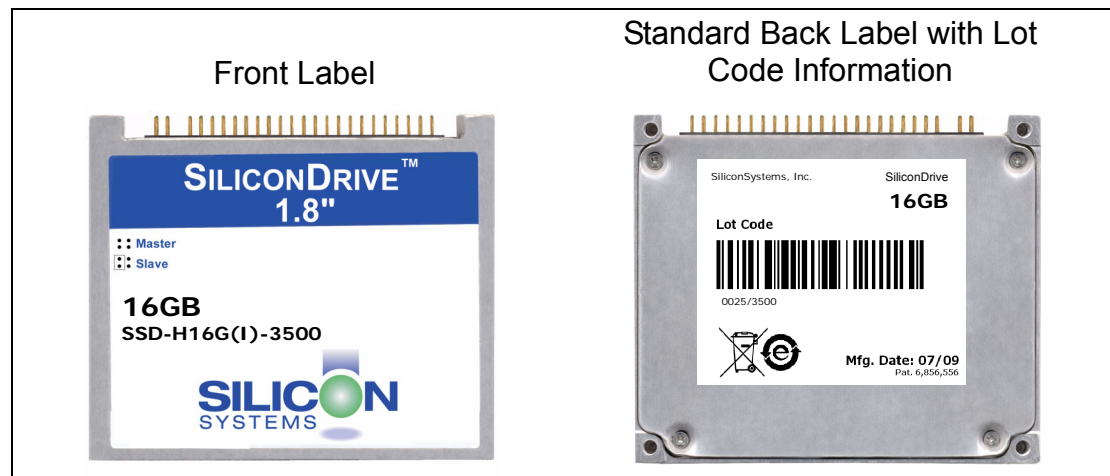
Part Number	Capacity
SSD-H16G(I)-3500	16GB
SSD-H08G(I)-3500	8GB
SSD-H04G(I)-3500	4GB
SSD-H02G(I)-3500	2GB
SSD-H01G(I)-3500	1GB
SSD-H51M(I)-3500	512MB
SSD-H25M(I)-3500	256MB
SSD-H12M(I)-3500	128MB
SSD-H64M(I)-3500	64MB
SSD-H32M(I)-3500	32MB

## ROHS 6 OF 6 PRODUCT LABELING — PB-FREE IDENTIFICATION LABEL



The Pb-free identification label indicates that the enclosed components/devices and/or assemblies do not contain any lead (i.e., they are lead-free, as defined in RoHS directive 2002/95/ED). The above symbol is on all RoHS 6 of 6 compliant product labels, as seen in [Figure 8](#).

## SAMPLE LABEL



**Figure 8: Sample Label**

### SILICONSYSTEMS PROPRIETARY

This document and the information contained within it is confidential and proprietary to SiliconSystems, Inc.  
All unauthorized use and/or reproduction is prohibited.

## RELATED DOCUMENTATION

For more information, visit [www.siliconsystems.com](http://www.siliconsystems.com) or contact your SiliconSystems Sales Representative.

**Table 69: Related Documentation**

<b>SiliconDrive</b>		
<b>Application-Specific Description</b>		<b>Document Number</b>
<b>Technology</b>		
PowerArmor	Eliminates drive corruption.	WP-007-0xR
SiSMART	Calculates remaining useful life.	WP-008-0xR
SiProtect	Protection software for password-required, read/write, or read-only access.	WP-003-0xR
SiSweep	Ultra-fast data erasure.	SiSecure-0xANR
SiPurge	Non-recoverable data erasure.	SiSecure-0xANR

SiliconSystems' performance tests, ratings, and product specifications are measured using specific computer systems and/or components and reflect the approximate performance of SiliconSystems' products as measured by those tests. Any difference in system hardware or software design or configuration, as well as system use, may affect actual test results, ratings, and product specifications. SiliconSystems welcomes user comments and reserves the right to revise this document and/or make updates to product specifications, products, or programs described without notice at any time. SiliconSystems makes no representations or warranties regarding this document. The names of actual companies and products mentioned herein are the trademarks of their respective owners.

SiliconSystems®, SiliconDrive®, SiliconDrive II®, SiSecure®, SiliconDrive EP®, PowerArmor®, SiSMART®, SiKey™, SiZone™, SiProtect™, SiSweep™, SiPurge™, SiScrub™, SiliconDrive USB Blade™, SolidStor™, and the SiliconSystems logo are trademarks or registered trademarks of SiliconSystems, Inc. and may be used publicly only with the permission of SiliconSystems and require proper acknowledgement. Other listed names and brands are trademarks or registered trademarks of their respective owners.

© Copyright 2009 by SiliconSystems, Inc. All rights reserved. No part of this publication may be reproduced without the prior written consent of SiliconSystems.

### SILICONSYSTEMS PROPRIETARY

This document and the information contained within it is confidential and proprietary to SiliconSystems, Inc. All unauthorized use and/or reproduction is prohibited.