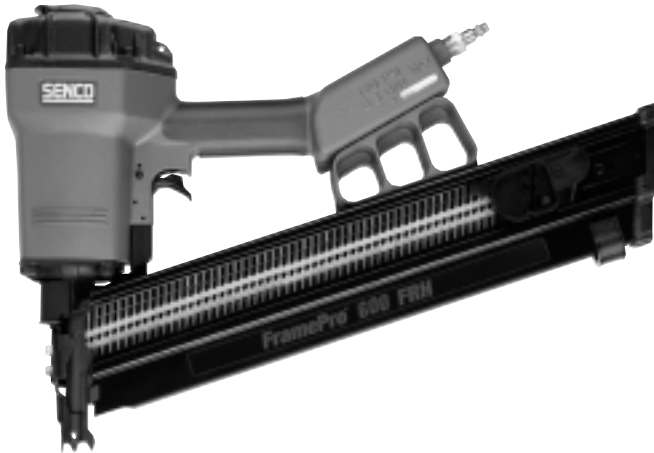


# FramePro® 600/650 FRH Nailer



The FramePro® Full Round Head Nailers are the result of our award winning, feature loaded clipped head nailers now designed for Full Round Head nails. The FramePro® 600/650 FRH nailers feature an aggressive toenail safety, rugged aluminum casting, power to drive full round head nails from 2" to 3½" in 5 gauges (.113-.162) and an in-line magazine for superior balance and line of sight. All this and more for the Pro. Senco tools. Hard Work. Bring it On!

## Applications:

Framing, truss building, subflooring, sheathing, decking, siding, fencing, pallets and crate assembly.

## Features and Benefits:

- Aggressive sawtooth safety that really digs in for toenailing
- In-line magazine for superior balance and line of sight
- 600 FRH drives ring and smooth shank nails in 4 gauges (.113, .120, .131 and .148) from 2" to 3½"
- 650 FRH drives smooth shank nails in 3 gauges (.131, .148 and .162) from 2½" to 3½"
- 650 FRH provides 16% more power than the 600 FRH to drive common nails.
- Adjustable Exhaust
- Depth of Drive control and EZ-Clear feature
- Ergonomic comfort grip handle reduces vibration and fatigue
- One-Year Warranty

For additional information on how Senco Fastening Systems will save you time, reduce costs and increase quality, call your nearest Authorized Senco Dealer or Distributor listed in the Yellow Pages under "Staples," or call our toll-free Action Line: 1-800-543-4596.

## Tool Specifications:

	600 FRH	650 FRH
Tool Weight:	8.4 lbs (3.81 kg)	8.75 lbs (3.97 kg)
Height:	13 ¼" (336.55mm)	14 ¼" (361.95 mm)
Length:	20" (508 mm)	20" (508mm)
Nail Capacity:	60	60
Reg. Operating Pressure:	70-120 psig	
Mode of Operation:	Available with either Dual Action or Restrictive Trigger activating mechanisms.	

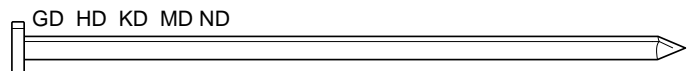
## Fastener Specifications:

FramePro® 600 FRH nailer drives 2"– 3½" smooth shank nails (Sencote® or plain) and 2"–3" ring shank nails. Shank diameter includes .113, .120, .131 and .148.

FramePro® 650 FRH nailer drives 2½"– 3½" smooth shank nails (Sencote® or plain). Shank diameter includes .131, .148 and .162 (Common Nails).



GL-ring shank (.113) 2", 2 3/8"  
HL-ring shank (.120) 3"



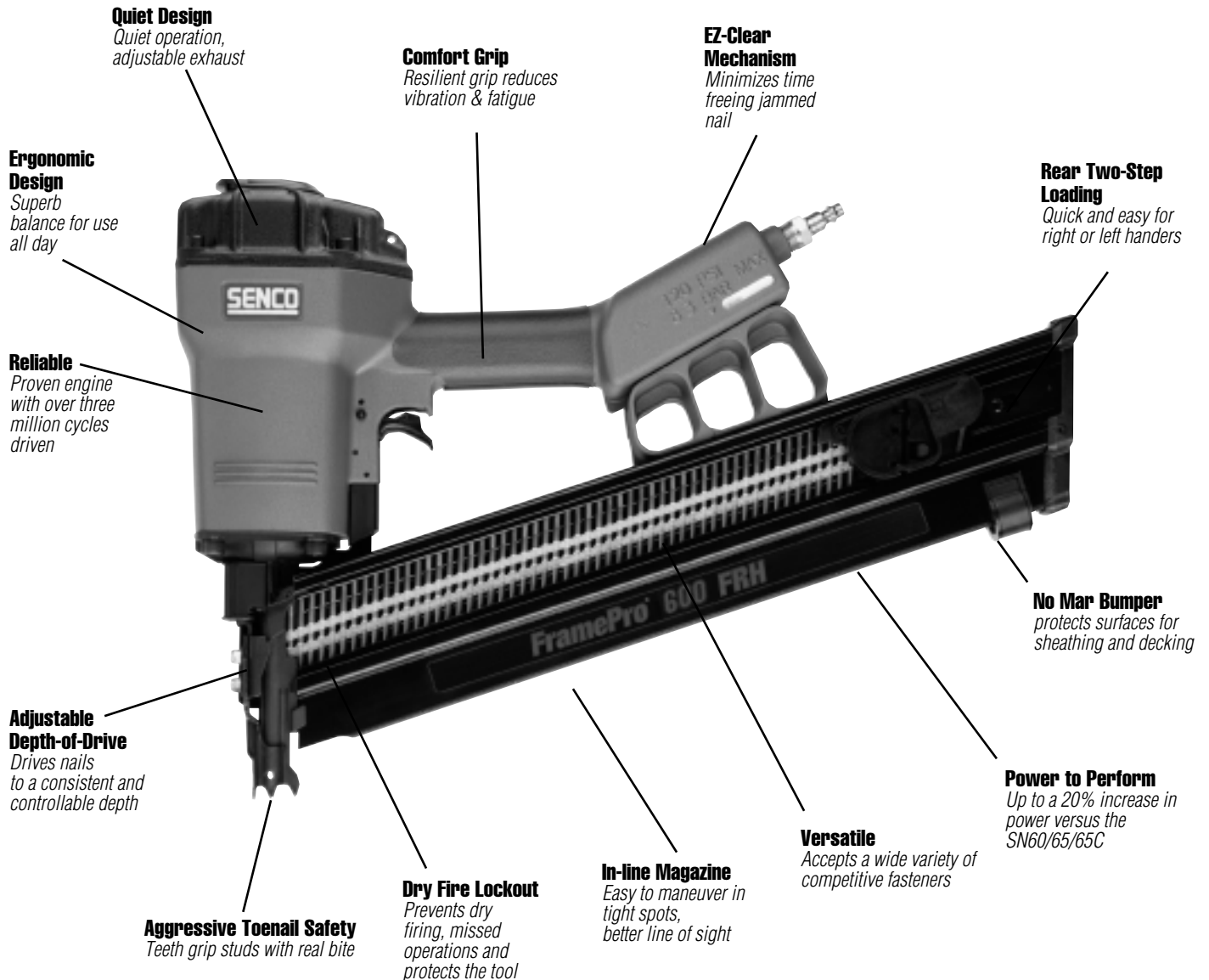
GD-smooth shank (.113) 2", 2 3/8", 2 1/2"  
HD-smooth shank (.120) 3", 3 1/4"  
KD-smooth shank (.131) 2 1/2", 3", 3 1/4", 3 1/2"  
MD-smooth shank (.148) 2 1/4", 3", 3 1/2"  
ND-smooth shank (.162) 3 1/2"

### SENCO TRIGGERING OPTIONS

Senco offers three types of triggering options that are safe when used in accordance with all warnings, instructions and safe workplace practices.

1. **Dual Action** (also called "bottom fire/trigger fire")
  - **Productivity.** For applications where high production work is desired (eg. decking, sheathing, siding)
  - **Safety.** A Dual Action Tool can result in an unwanted nail or staple being driven as a result of double fire, rebound, recoil, or leaving your finger on the trigger and bumping yourself or a co-worker.
2. **Restrictive Trigger** (also called "trigger fire")
  - **Productivity.** For applications where precise nail or staple placement is desired.
  - **Safety.** A Restrictive Trigger tool reduces the probability of double fire and may reduce the probability of bodily injury to you or others in the area as a result of leaving your finger on the trigger and bumping yourself or a co-worker.
3. **ThinkTrac Technology** (Currently available on select models)
  - **Productivity.** Provides the bounce fire option for high production needs while providing safety advantages.
  - **Safety.** The ThinkTrac Technology reduces the probability of double fire and may reduce the probability of bodily injury to you or others in the area as a result of leaving your finger on the trigger and bumping yourself or a co-worker.

## FramePro® 600/650 FRH Nailer



**650FRH provides 16% more power than the 600FRH to drive common nails**