



SIMPLY BUILT TO LAST. GUARANTEED*

FINALLY – A COMPANY THAT LOVES BIKES AS MUCH AS YOU DO.

Chances are, your bikes are just like ours - your most valued possessions. And if it has the Saris name on it, nothing we build goes out the door unless it's worth putting those possessions on. Call it obsessive. Call it eccentric. We just chalk it up to caring a hell of a lot about creating the last rack you'll ever need.

THE T-RAX SPORT

INSTALLATION MANUAL

Please READ and FOLLOW all instructions carefully.



T-Rax Sport 2 bike (502)
T-Rax Sport 4 bike (504)

Tongue Weight Limitations

Hitch Type	Tongue Weight	Maximum Load
1-1/4"	200 lbs.	2 bikes/70 lbs.
	200 lbs.	3 bikes/105 lbs.
	300 lbs.	4 bikes/140 lbs.
2"	300 lbs.	2 bikes/70 lbs.
	300 lbs.	3 bikes/105 lbs.
	300 lbs.	4 bikes/140 lbs.

**35lbs. per bike maximum*

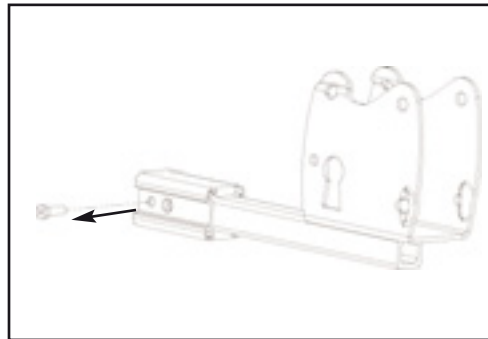
Parts List

	Item Description	QTY
1	T-RAX unit	1
2	Receiver Base w/2" adaptor	1
3	Pin with lanyard	1
4	Lock washer	1
5	Hitch pin bolt	1
6	Cotter pin	1
7	Sleeve	1
8	1/2" bolt	1
9	1/2" washer	1
10	1/2" nut	1
11	3/8" bolt	1
12	3/8" washer	1
13	3/8" nut	1

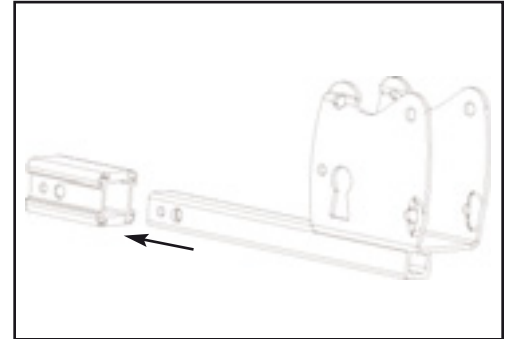
Tools Included: 4mm hex wrench
Tools Required: 3/4" (19mm) wrench x 2
9/16" wrench

1. MOUNT CARRIER TO VEHICLE

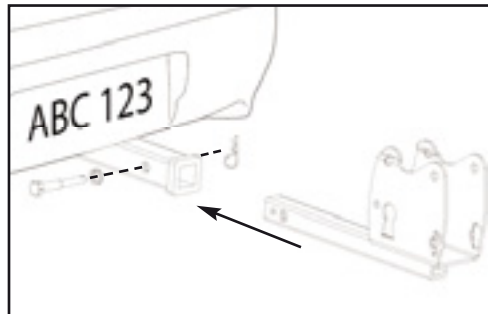
1A. 1-1/4" Receiver



Remove adaptor bolt with 4mm hex wrench provided.



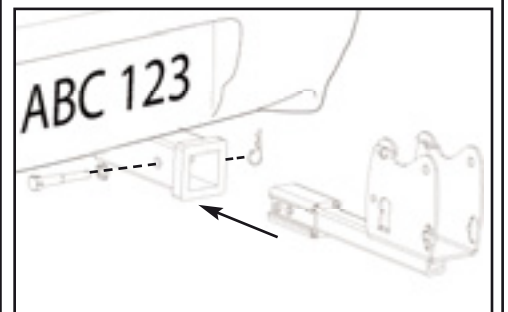
Slide 2" adaptor off receiver.



Slide receiver into 1-1/4" hitch as illustrated. Install threaded hitch pin bolt and lock washer and fully tighten using 3/4" (19mm) wrench.

For added security part #3022 sold separately.

1B. 2" Receiver



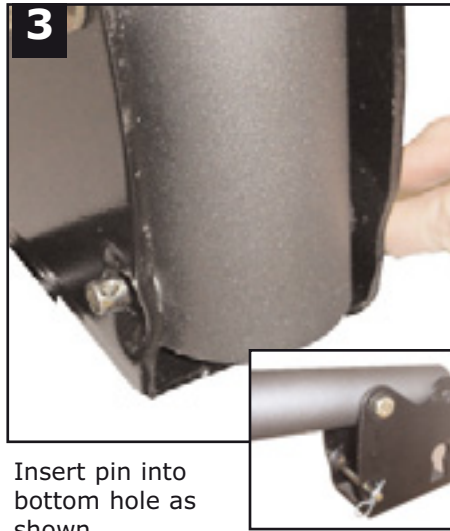
Slide receiver into 2" hitch as illustrated. Install threaded hitch pin bolt and lock washer fully tighten using 3/4" (19mm) wrench. Install cotter pin.

For added security part #3022 sold separately.

MOUNT CARRIER TO VEHICLE CONTINUED:

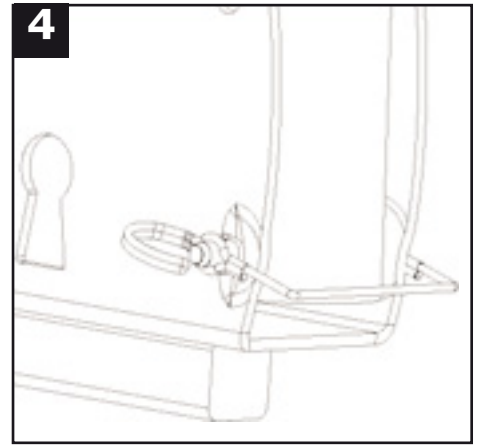


Insert rack into the receiver base and insert long bolt into receiver and rack as shown.

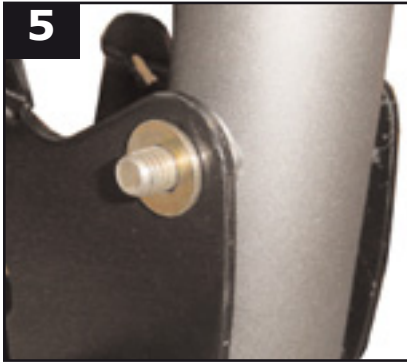


Insert pin into bottom hole as shown.

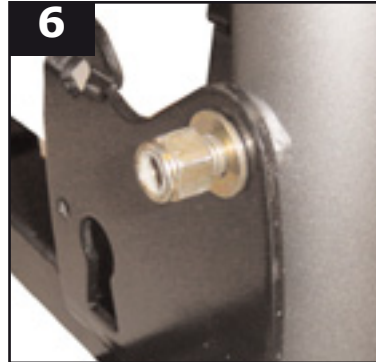
(Note: Pin can be removed when rack is empty to fold rack down. Do not drive with rack in down position)



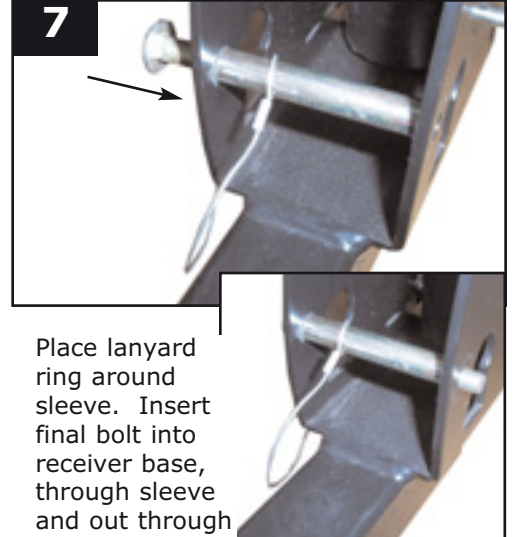
Secure with clip.



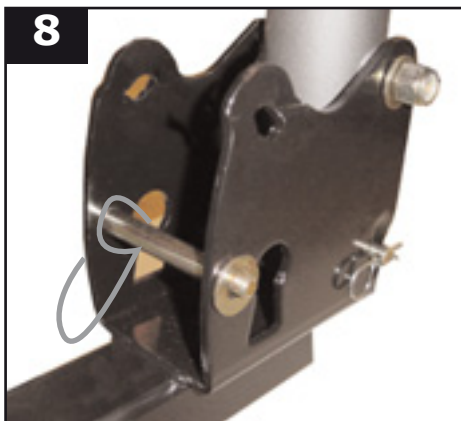
Attach 1/2" washer.



Attach nut loosely-do not fully tighten until all nuts and bolts are loosely placed.



Place lanyard ring around sleeve. Insert final bolt into receiver base, through sleeve and out through the other side of the receiver base.



Attach 3/8" washer and nut. Tighten with a 9/16" wrench.

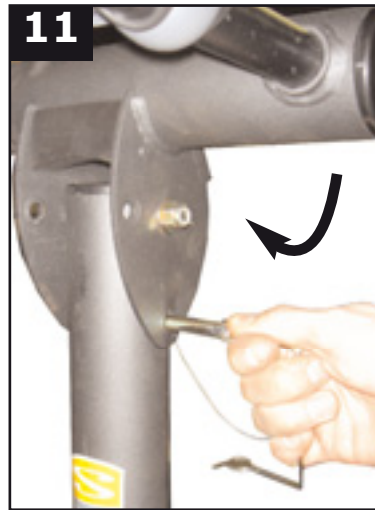


Attach bolt and securely tighten all bolts with two 3/4" wrenches.

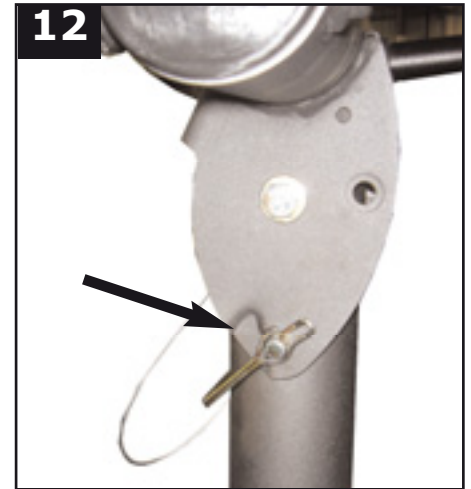
ADJUST ARMS ON CARRIER:



Unhook clasp and pull pin from the rack.

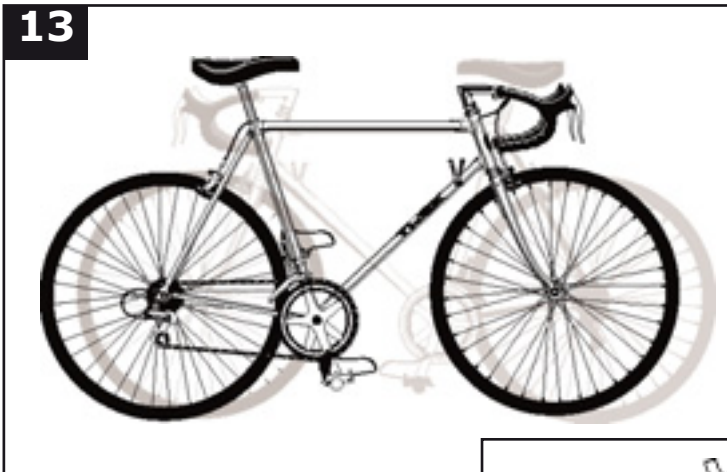


Rotate arm up and out away from vehicle. Align holes and insert pin.

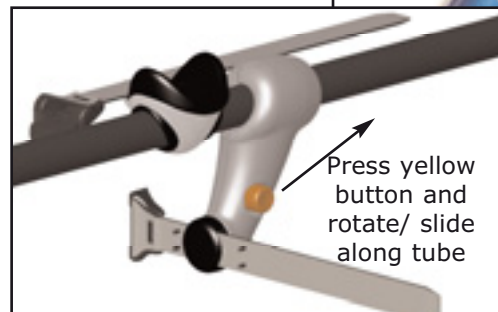
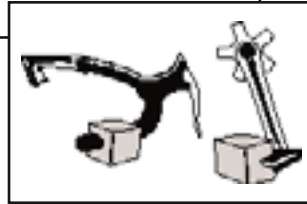


To secure arm, be sure that the clasp is closed.

MOUNT BIKES TO CARRIER:



Place bikes on carrier arms, alternating direction of handle-bars. The purchase of Saris Protect-O-Pads (#2060) is recommended to protect contact areas. Make sure foam pads are free of debris as it could scratch vehicle's finish. Cover inner pedal of first bike to avoid potential scratching of vehicle finish.

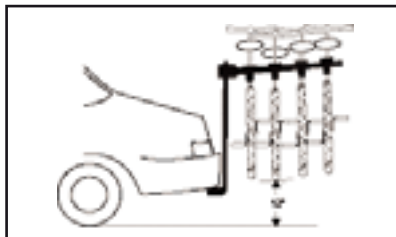


Rest cross tube in hold-down saddles. Note: To aid in positioning of bicycles, hold-downs can be slid along arm tube. Press the yellow button on stabilizer arm to move the stabilizer into position to fit snugly against bicycle down tube.

Note: Cable locks can be used to secure bikes to rack (#981 locking cable recommended)

CHECK CARRIER STRAPS & STABILITY

- ▶ Shown below are the different possible positions for mounting mens, womens, and non-traditional style frames.
- ▶ Check Clearance. Bike must rest high enough to allow bike tires 12" minimum of ground clearance. It's recommended to load smallest and lightest bikes last.
- ▶ Heaviest bikes should be placed closest to the vehicle (*35lbs. per bike maximum*)



- ▶ To use tilt and release features, remove cotter and clevis pins and tilt carrier away from vehicle.
Note: Do not tilt carrier with bikes mounted.
- ▶ Arms may be folded down when not in use. Pull pin on arm assembly, rotate arms down, and secure with pin and clasp.

CAUTIONS:

Cautions:

- 1) Read and follow instructions carefully. Save owner's manual for future reference or parts information.
- 2) Be certain any future user of this carrier is aware of correct attachment and use.
- 3) Vehicle should be in good condition in the area at which the hitch is located. Refer to table on cover page for load capacities and limitations.
- 4) Make sure bike tires are not directly behind exhaust pipe.
- 5) Do not exceed maximum load capacity of the carrier.
- 6) This hitch mounted carrier is not recommended for off road use.
- 7) Do not mount on any type of trailer or recreational vehicle.
- 8) Do not take carrier through car wash.
- 9) Replace straps at the first sign of wear. Replacement parts are available by contacting Saris at (800) 783-7257.
- 10) It's the consumers responsibility to ensure that the use of this rack complies with local regulations, regarding issues such as distance behind vehicle & partial covering of license plate and tail lights.

WARNING AND DISCLAIMER:

This carrier has been designed to carry bicycles on specific vehicles. Before installation, user must read and follow enclosed instructions. User must attach carrier correctly to the vehicle, check its attachment before each use, and inspect carrier parts for wear. Carrier's attachment to the vehicle is critical and beyond the control of the manufacturer. Manufacturer and seller expressly disclaim any and all liability for personal injury, property damage or loss, whether direct, indirect, or incidental, resulting from the incorrect attachment, improper use, inadequate maintenance, or neglect of this carrier.

LIMITED WARRANTY:

Saris Cycling Group, Inc. ("Saris") warrants that your Saris product will be free from defects in materials and workmanship for as long as you own the product. This warranty only extends to the original consumer buyer. This warranty does not apply to parts that have worn out through normal use or been damaged through misuse, abuse, neglect, accident or unauthorized modifications. ANY IMPLIED WARRANTIES WHICH THE BUYER MAY HAVE ARE LIMITED IN DURATION TO THE TIME THAT THE ORIGINAL CONSUMER BUYER OWNS THE PRODUCT. Some states do not allow limitations on how long an implied warranty lasts, so the above limitation may not apply to you. At its option, Saris will repair or replace, or refund the purchase price of, any Saris product which is defective or fails to conform with this warranty under normal use and service. To obtain

service under this warranty, return the defective Saris Product or part, freight prepaid, to Saris at the address below. Please contact our customer service department prior to return to get a return authorization number. Repair or replacement of a defective Saris product or refund of the purchase price, shall be the sole remedy of the buyer under this warranty, and in no event shall Saris be liable for incidental or consequential damages, losses or expenses. Some states do not allow the exclusion or limitation of incidental or consequential damages, so the above limitation or exclusion may not apply to you.