



SIMPLY BUILT TO LAST. GUARANTEED.\*

**FINALLY – A COMPANY THAT LOVES BIKES AS MUCH AS YOU DO.**

Chances are, your bikes are just like ours - your most valued possessions. And if it has the Saris name on it, nothing we build goes out the door unless it's worth putting those possessions on. Call it obsessive. Call it eccentric. We just chalk it up to caring a hell of a lot about creating the last rack you'll ever need.

# Park-A-Bike

Owner's manual

6200 & 6400 Series Assembly Instructions\*

## Parts List

\*\*Double/Single Park-A-Bike

Item#	Part#	Qty(Dbl/Sgl)	Description
①	6201-63	8/6	3/8"-16x 301/4" hex bolt
②	1070-73	8/6	3/8"-16 nut
③	6101-31	12/10	1-5/8" dia. end cap
④	1070-85	8/6	3/8" split lock washer

\*Note: Single sided racks come with one brace pole.

\*\*Double sided unit pictured in illustrations.

### Step 1

Place end caps over ends of tubing (Fig. 1)

### Step 2

Align holes in grid section with mating holes in end section (Fig. 2)

### Step 3

At the top of grid, insert a 3/8"-16 x 3-1/4" hex head bolt down through tubes and fasten finger tight with a 3/8"-16 nut (Fig. 3).

Repeat at opposite end of grid.

### Step 4

At the bottom of grid, once again insert bolt down through tubing and fasten finger tight with a 3/8" split lock washer and 3/8"-16 nut (Fig. 2)

Repeat at opposite end of grid.

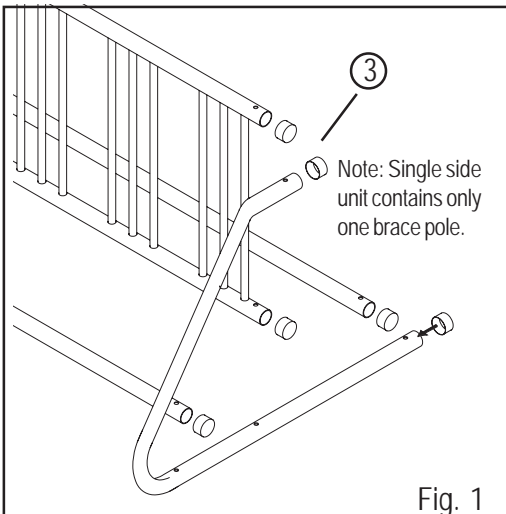


Fig. 1

### Step 5

Attach brace poles to each end section, securing as in step 4 (fig. 2)

### Step 6

Tighten all hardware completely.

### Important Notes:

Always consider safety when choosing a location for your parking system. Injury may result from unsafe placement due to tripping over or falling on the unit. For safe placement, determine actual size with bikes parked in the system.

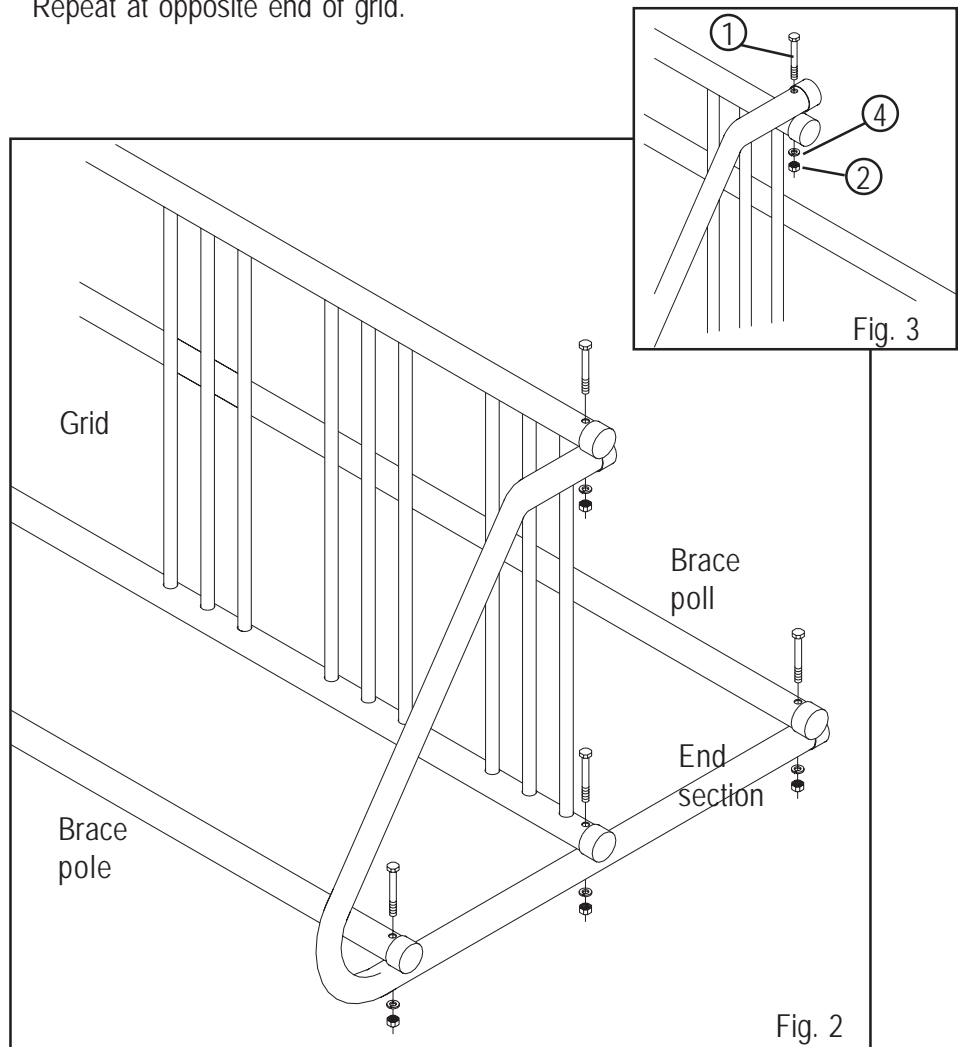


Fig. 2

Fig. 3

**WARNING:**

Manufacturer and seller expressly disclaim any and all liability for personal injury, property damage or loss, whether direct, indirect, or incidental, resulting from the incorrect attachment, improper use, inadequate maintenance, or neglect of this product.

**WARRANTY:**

Saris Cycling Group, Inc. ("Saris") warrants that your Saris product will be free from defects in materials and workmanship for one year. This warranty only extends to the original consumer buyer. This warranty does not apply to parts that have worn out through normal use or been damaged through misuse, abuse, neglect, accident or unauthorized modifications. **ANY IMPLIED WARRANTIES WHICH THE BUYER MAY HAVE ARE LIMITED IN DURATION TO THE TIME THAT THE ORIGINAL CONSUMER BUYER OWNS THE PRODUCT. Some states do not allow limitations on how long an implied warranty lasts, so the above limitation may not apply to you.** At its option, Saris will repair or replace, or refund the purchase price of, any Saris product which is defective or fails to conform with this warranty under normal use and service. To obtain service under this warranty, return the defective Saris Product or part, freight prepaid, to Saris at the address below. Please contact our customer service department prior to return to get a return authorization number. Repair or replacement of a defective Saris product or refund of the purchase price, shall be the sole remedy of the buyer under this warranty, and **in no event shall Saris be liable for incidental or consequential damages, losses or expenses.** Some states do not allow the exclusion or limitation of incidental or consequential damages, so the above limitation or exclusion may not apply to you. This warranty gives you specific legal rights, and you may also have other rights which vary from state to state.

Saris Cycling Group, Inc.

5253 Verona Road · Madison, WI 53711

1-800-783-7257 [www.sarisparking.com](http://www.sarisparking.com)