



**Russell Hobbs**

20 Litre microwave oven  
User manual



**Model number: RHM2047SS**

Important safety instructions , please read carefully and keep them for future reference

For Customer Services & Spare Parts please call

**0845 209 7461**

Opening times: Monday – Friday

9am – 5pm



## Contents

	Page
About this microwave oven.....	2
Unpacking your microwave oven.....	3
Safety instructions.....	4
Microwave oven installation.....	9
Feature diagram.....	10
Turn table installation.....	11
Control panel.....	12
How to use your microwave oven.....	13
Cleaning and care.....	19
Important utensil information.....	21
Connection to the mains supply.....	22
Problem solving.....	25
Guarantee.....	26
Technical specification.....	27

For Customer Services & Spare Parts please call **0845 209 7461** Opening times: Monday Friday 9am – 5pm

## About this microwave oven

Microwaves are high-frequency electromagnetic waves similar to radio waves. While radio waves may vary in length from one metre to many kilometres, microwaves are very short (less than 12.5 centimetres). Microwaves do not make any heat themselves but only cause water molecules in food to vibrate. This vibration produces heat that cooks the food. This is why your food will come out of the microwave piping hot, when your utensils inside the oven stay much cooler. The microwaves do not stay in the air or in the food when you open the microwave oven door.

The microwave oven will work using an ordinary household electrical socket. Inside the microwave oven is the magnetron, which turns the electrical energy into microwaves. Microwaves cannot go through metal, so the inside of the oven is lined with metal. The door is lined with a fine metal mesh which stops microwaves getting through. This means that when the microwave oven door is shut, there is no possibility that microwaves can be released. This is why the microwave oven has been made so that it will not work when the door is open.

For Customer Services & Spare Parts please call **0845 209 7461** Opening times: Monday Friday 9am – 5pm

## Unpacking your microwave oven

Before you use your microwave oven

1. Remove all the packaging. **Do not** remove the small piece of card from the right hand side of the cavity wall. This is called a wave-guide cover and allows the microwaves to pass through to cook the food. **Please ensure you keep this cover clean at all time.**

2. Check the oven after unpacking for any visual damage such as:

- A misaligned door
- Damage to the door
- Dents or holes in the door window and screen
- Dents in the inside
- If you can see any damage **do not use the oven**

This microwave oven weighs approximately 12kg so you must put it on a horizontal surface that is strong enough to support this weight.

The oven must be placed away from high temperatures and steam.

Do not put anything on the top of the microwave oven.

For Customer Services & Spare Parts please call **0845 209 7461** Opening times: Monday Friday 9am – 5pm

## Safety instructions

Do not use the oven for any reason other than preparing food, such as for drying clothes, paper or any other non-food items, or for sterilising purposes.

- Do not use the oven when it is empty. This could damage the oven.
- Do not store anything in the oven, such as papers, cookbooks and so on.
- Do not cook any food surrounded by a membrane, such as egg yolks, potatoes, chicken livers, ready meals and so on without piercing them several times with a fork.
- Never put any objects into the openings on the outer case.
- Never remove parts from the oven such as the feet, screws and so on.
- You should use microwave utensils only in line with these instructions.
- Do not try to deep-fry foods in this oven.
- Only use the accessories supplied by the manufacturer

For Customer Services & Spare Parts please call **0845 209 7461** Opening times: Monday Friday 9am – 5pm

## Safety instructions

- Heat from the contents of a container may be transmitted to the container itself, so please be careful when removing it from the oven. Please remember that the food or liquid inside will be releasing some steam or will be spitting. Never cover any container fully, always leave a gap for steam to escape.
- Cooking utensils may become hot because of heat transferred from the heated food. This is especially true if plastic wrap has been covering the top and handles of the utensil. You may need oven gloves to handle the utensil.
- The contents of feeding bottles and baby food jars shall be stirred or shaken and the temperature checked before consumption, in order to avoid burns.
- Always test the temperature of cooked food, never eat or drink food or liquid straight from the oven, allow it to stand for a few minutes and stir to distribute the heat evenly.

For Customer Services & Spare Parts please call **0845 209 7461** Opening times: Monday Friday 9am – 5pm

## Safety instructions

- Food containing a mixture of fat and water (for example, stock) should stand for 30 to 60 seconds in the oven after it has been turned off. This is to allow the mixture to settle and to prevent it from bubbling when a spoon is placed in it, or a stock cube is added.
- When heating or cooking food or liquid, remember that there are certain foods (such as Christmas puddings, jam and mincemeat) which heat up very quickly.
- When heating or cooking foods that contain a lot of fat or sugar, do not use plastic containers.
- Always have the glass tray and turntable support in place when using the oven.
- Never remove parts from the oven such as the feet, screws and so on.
- Do not cook food directly on the glass tray. Put food on a suitable plate or in a bowl before putting it in the oven.

For Customer Services & Spare Parts please call **0845 209 7461** Opening times: Monday Friday 9am – 5pm



## Safety instructions

To reduce the risk of fire in the oven cavity:

- Do not overcook food.
- Do not leave the microwave oven unattended while you are using it and if using paper or plastic containers check regularly to ensure they do not ignite.
- Remove wire twist-ties from bags before putting the bag in the oven.
- If materials inside the oven smoke or catch fire, keep the oven door closed to stifle the flames, turn the oven off at the wall switch, or shut the power off at the fuse or circuit-breaker panel.
- If the supply cord is damaged, it must be replaced by the manufacturer, its service agent or similarly qualified persons in order to avoid a hazard.

**Warning:** Children should not use this microwave oven.

**Warning:** This appliance is not intended for use by persons (including children) with reduced physical, sensory or mental capabilities, or lack of experience and knowledge, unless they have been given supervision or instruction concerning use of the appliance by a person responsible for their safety. Children should be supervised to make sure that they do not play with the appliance.

For Customer Services & Spare Parts please call **0845 209 7461** Opening times: Monday Friday 9am – 5pm

## Safety instructions

**Warning:** it is hazardous for anyone other than a competent person to carry out any service or repair operation which involves the removal of a cover which gives protection against exposure to microwave energy.

**Warning:** if the door or door seals are damaged, the oven must not be operated until it has been repaired by a competent person. The door seals are located around the window on the inside of the door. These seals are not airtight, although no microwaves can be released, it is normal for small amounts of air or steam to escape when the oven is in use.

**Warning:** Liquids and other foods must not be heated in sealed containers as they are liable to explode.

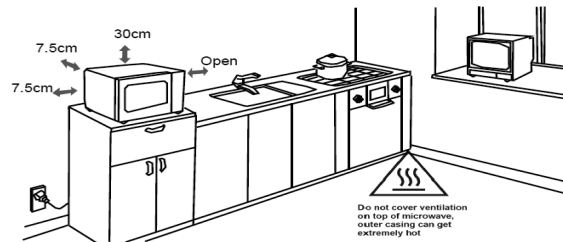
**Warning:** do not use the microwave when it is empty.

For Customer Services & Spare Parts please call **0845 209 7461** Opening times: Monday Friday 9am – 5pm

## Microwave oven installation

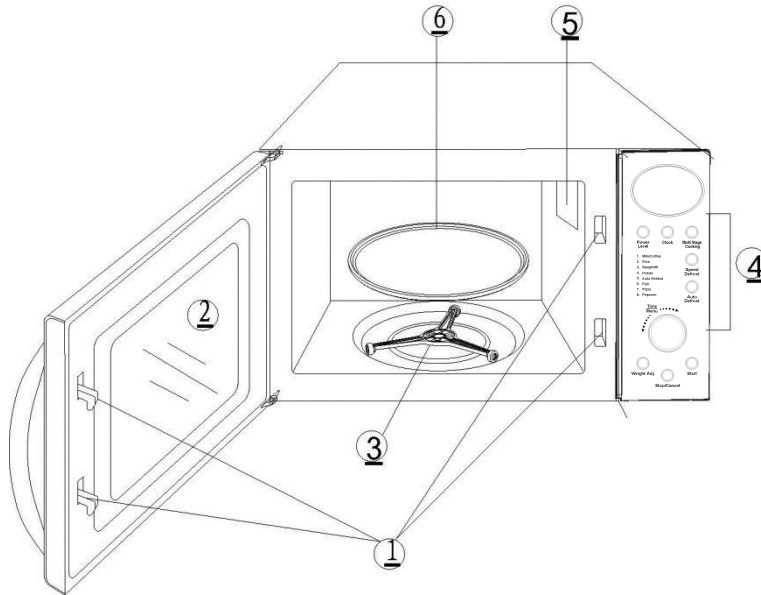
- Select a level surface that provides enough space for the outlet vents.
- A minimum clearance of 7.5cm is required between the oven and any adjacent walls. One side must be open. Leave a minimum clearance of 30cm above the oven.
- Place the oven as far away from radios and TV's as possible. Using the oven may cause interference with the reception.
- Plug the oven into a suitable 13 amp mains socket, make sure the voltage is the same as on the rating label (do not use extension cables or mains socket adaptors).

**Warning:** do not install the oven over a cooker or other heat producing appliance. This will damage the oven.



For Customer Services & Spare Parts please call **0845 209 7461** Opening times: Monday Friday 9am – 5pm

## Feature Diagram

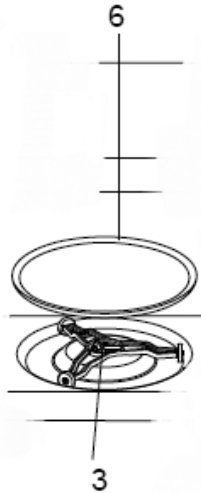


1. Door Safety Lock System
2. Oven Window
3. Turntable support
4. Control Panel
5. Wave Guide
6. Glass Turntable

**Warning - do not use the oven when empty or for warming plates.  
Always keep the oven cavity, door assembly and waveguide cover clean**

For Customer Services & Spare Parts please call **0845 209 7461** Opening times: Monday Friday 9am – 5pm

## Turn table installation

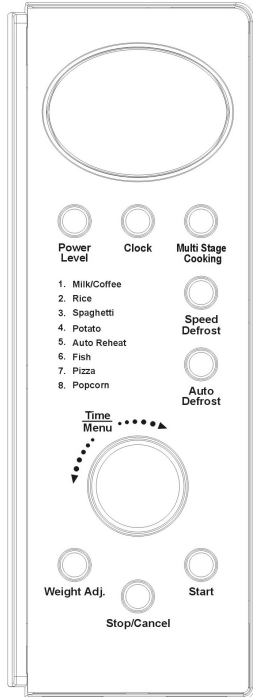


Turntable ring assembly

- Before first use, check that any securing tape has been removed from the glass tray and turntable ring assembly. These parts must never be restricted from rotating.
- Never place the glass tray upside down.
- Both the glass tray and turntable ring assembly must always be used during cooking.
- Do not place the food directly onto the glass tray, always place on or in suitable microwaveable cookware.
- If the glass tray or turntable ring assembly has been damaged in anyway, please contact the spares helpline number detailed on the back of this instruction manual.

For Customer Services & Spare Parts please call **0845 209 7461** Opening times: Monday Friday 9am – 5pm

## Control panel



**MENU ACTION SCREEN** Cooking time, power, action indicators, and clock time are displayed.

**POWER LEVEL** Touch this button a number of times to set microwave cooking power level.

**CLOCK** Touch this button to start setting the oven clock and ending by touching it again.

**MULTI STAGE COOKING** Use to set the multi stage cooking program.

**SPEED DEFROST** Touch to defrost food by time.

**AUTO DEFROST** Touch to defrost food by weight.

**WEIGHT ADJ.** Touch this button to select specify food weight or number of servings.

**STOP/CANCEL** Press to cancel the setting or reset the oven before setting a cooking program.

Press once to temporarily stop cooking, or twice to cancel cooking altogether.

It's also used for setting the child lock.

**START** Press to start a cooking program or to set a quick start function.

**TIME/MENU** Turn the dial to input cooking time. Rotate to select the cooking menu.

For Customer Services & Spare Parts please call **0845 209 7461** Opening times: Monday Friday 9am – 5pm

## How to use the microwave oven

### **SETTING THE CLOCK**

With the oven ready for input, touch the CLOCK button once or twice to set the digital clock in 12 or 24 hours cycle.

FOR EXAMPLE: Suppose you want to set the oven clock time to 8:30.

Choose to set the clock in 12 or 24-hour cycle by touching the CLOCK.

Turn TIME/MENU to indicate the hour digit 8.

Press CLOCK button.

Turn TIME/MENU dial to indicate the minute digits until the screen shows 8: 30.

Press CLOCK to confirm the setting.

NOTE: You can press the CLOCK button once to check clock time during cooking.

## Cooking

The longest cooking time is 95 minutes.

To cook with microwave power alone, press the POWER LEVEL button a number of times to select a cooking power level, and then use the TIME/MENU dial to set a desired cooking time.

Select power level by pressing the POWER LEVEL button:

Press <u>POWER LEVEL</u> button	Cooking power
once	100%
twice	80%
3 times	60%
4 times	40%
5 times	20%
6 times	0

For example, suppose you want to cook something for 1 minute at 60% of microwave power.

Press the POWER LEVEL button 3 times.

Turn TIME/MENU dial to 1:00.

Press START button.

For Customer Services & Spare Parts please call **0845 209 7461** Opening times: Monday Friday 9am – 5pm



## Cooking

### QUICK START

This feature allows you to start the oven quickly.

Press the START button a number of times to set the cooking time, the oven starts to work at full power level immediately.

### AUTO DEFROST

The oven allows the defrosting of meat, poultry, and seafood. The time and the defrosting power are adjusted automatically once the weight is programmed.

FOR EXAMPLE: Suppose you want to defrost food.

- Place food to be defrosted into the oven.
- Press AUTO DEFROST button once.
- Press WEIGHT ADJ. button repeatedly to select the weight (100~1800g).
- Press START button.

NOTE: At the middle of cooking time the system will sound to remind you to turn over the food and pause until you depress the button start to enter into the next defrosting stage, and the system resume

For Customer Services & Spare Parts please call **0845 209 7461** Opening times: Monday Friday 9am – 5pm

## Cooking

### **SPEED DEFROST**

The oven can quickly defrost food to the set time you have entered.

FOR EXAMPLE: Suppose you want to defrost prawns

Place the prawns to be defrosted into the oven.

Press SPEED DEFROST button once.

Turn TIME/MENU dial to set defrosting time.

Press START button.

### **MULTI STAGE COOKING**

The following example shows the steps in setting up such a program.

Touch MULTI STAGE COOKING button.

Touch MULTI STAGE COOKING button again

Input another microwave cooking program with probably lower power level settings.

Touch START button.

NOTE:

Auto Defrost and Menu Cook can not be set in the Multistage Cooking mode, speed Defrost.

The respective lights will come on to indicate which stage the oven is operating in.

For Customer Services & Spare Parts please call **0845 209 7461** Opening times: Monday Friday 9am – 5pm

## Cooking

### Auto Cook

For food in the auto cook mode, it is not necessary to program the duration and the cooking power. It is sufficient to indicate the type of food that you wish to cook as well as the weight of this food. In order to do this, rotate the TIME/MENU to select a category of food/cooking mode, and then press WEIGHT ADJ. to indicate weight of food to be cooked. The oven begins cooking once the START/QUICK START button is engaged.

You may need to turn food over at the middle of cooking time to obtain uniform cooking.

For example: to cook 400g of fish.

- Turn TIME/MENU dial until 6 displays.
- Press WEIGHT ADJ. to indicate a weight of 400g.
- Press START button.

Code	Food/cooking mode	
1	Milk/Coffee (each 200ml)	<ol style="list-style-type: none"><li>1. The result of auto cooking depends on factors such as the shape and size of food, your personal preference. If you find the result not quite satisfactory, please adjust the cooking time a little bit accordingly.</li><li>2. For Spaghetti add boiling water before cooking.</li></ol>
2	Rice (g)	
3	Spaghetti (g)	
4	Potato (each 230g)	
5	Auto Reheat (g)	
6	Fish (g)	
7	Pizza (g)	
8	Popcorn (99g)	

For Customer Services & Spare Parts please call **0845 209 7461** Opening times: Monday Friday 9am – 5pm

## Childs lock

This can be used to prevent unsupervised operation of the oven by children. The CHILD LOCK indicator will show up on display screen, and the oven can not be operated while the CHILD LOCK is set.

To set the CHILD LOCK: Press and hold the STOP/CANCEL button for 3 seconds, a beep sounds and the LOCK indicator lights.

To cancel the CHILD LOCK: Press and hold the STOP/CANCEL button for 3 seconds until lock indicator on display goes off.

## Cleaning and care

- Before you clean the oven, turn it off and unplug it.
- Keep the inside of the oven clean. When food or liquids stick to the oven walls, wipe with a damp cloth. We recommend that you do not use harsh detergent or abrasives.
- On the right hand side wall of the cavity is the wave guide cover, microwaves are passed through this to enable your food to cook. It is important that this wave guide cover is kept clean at all times. To do this wipe with mild detergent and water, then dry.
- You should clean the outside of the oven with a damp cloth. Don't allow water to seep into the ventilation openings.
- Do not allow the control panel to become wet. Clean with a soft, damp cloth. Do not use detergents, abrasives or spray-on cleaners on the control panel.
- If steam builds up inside or around the outside of the oven door, wipe with a soft cloth. This may happen when the microwave oven is used in humid conditions.

For Customer Services & Spare Parts please call **0845 209 7461** Opening times: Monday Friday 9am – 5pm

## Cleaning and care

- Regularly remove the glass turntable to clean it, and wash it in warm soapy water.
- Regularly clean the turntable support and oven floor. Simply wipe the bottom surface of the oven with mild detergent and water, then dry. You can wash the turntable support in mild soapy water.
- When removing the turntable support of the oven, make sure you put it back properly.
- If the inside of the oven smells, put a cup of water with the juice and skin of one lemon in a deep microwave bowl. Microwave it for three minutes, wipe thoroughly and then dry with a soft cloth.
- Failure to maintain the oven in a clean condition, especially if liquid is left under the turntable, could lead to deterioration of the surface that could adversely affect the life of the appliance and possibly result in a hazardous condition.

For Customer Services & Spare Parts please call **0845 209 7461** Opening times: Monday Friday 9am – 5pm

## Important utensil information

- Do not use metal pans or dishes with metal handles.
- Do not use anything with a metal trim.
- Do not use paper covered wire twist-ties on plastic bags.
- Do not use melamine dishes as they contain a material which will absorb microwave energy. This may cause the dishes to crack or burn, and will slow down the cooking speed.
- Use only cookware that is approved to be used in a microwave oven.
- Do not cook using a container with a restricted opening, such as bottles, as they may explode.
- Do not heat baby bottles with the teat left on and remove if replacing the bottle back into the oven.
- Only use thermometers that are approved for microwave ovens.
- Do not use the microwave oven for heating utensils.

For Customer Services & Spare Parts please call **0845 209 7461** Opening times: Monday Friday 9am – 5pm

## Connection to the mains supply

### **WARNING-** THIS APPLIANCE MUST BE EARTHED

This appliance is designed to operate from a mains supply of AC230-240V~50Hz. Check that the voltage marked on the product corresponds with your supply voltage.

This product is fitted with a 13A plug complying with BS1363.

If this plug is unsuitable or needs to be replaced, please note the following:

**Important:** The wires in the mains lead are Coloured in accordance with the following code:  
GREEN/YELLOW-EARTH  
BLUE-NEUTRAL  
BROWN-LIVE



**DANGER**  
**Electric**  
**Shock Risk**

For Customer Services & Spare Parts please call **0845 209 7461** Opening times: Monday Friday 9am – 5pm



## Connection to the mains supply

For UK use only – Plug fitting details (where applicable):

As the colours of the wires in the mains lead of this appliance may not correspond with the coloured markings identifying the terminals in your plug, proceed as follows:

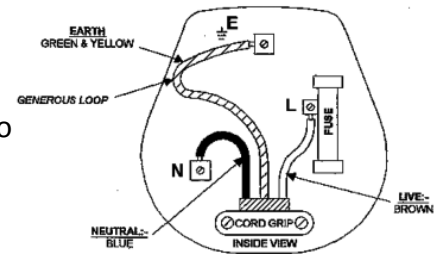
The GREEN/YELLOW wire is the EARTH and must be connected to the terminal which is marked with the letter E or by the earth symbol or coloured GREEN or GREEN/YELLOW.

The BLUE wire is the NEUTRAL and must be connected to the terminal marked with the letter N or coloured BLACK.

The BROWN wire is the LIVE wire and must be connected to the terminal marked with the letter L or coloured RED.

Always ensure that the plug cord grip is fastened correctly.

If a 13A (BS1363) fused plug is used it must be fitted with a 13amp fuse conforming to BS1362 and be BSI or ASTA approved.



For Customer Services & Spare Parts please call **0845 209 7461** Opening times: Monday Friday 9am – 5pm

## Non-rewireable mains plug

If your appliance is supplied with a non-rewireable plug fitted to the mains lead you will find that it incorporates a fuse, the value of which is indicated either on the base of the plug or on the fuse carrier. Should the fuse need replacing, you must use an ASTA approved fuse (conforming to BS1362) of the same rating.

If the fuse cover is lost the plug must not be used until a replacement is obtained from an electrical supplier.

If you need to remove the plug, cut it from the mains lead and dispose of it. Never attempt to re-use this plug or insert it into a socket outlet, as there is a very great risk of an electric shock.

For Customer Services & Spare Parts please call **0845 209 7461** Opening times: Monday Friday 9am – 5pm

## Problem solving

The microwave oven may cause interference to your radio, TV or similar equipment. If it does, you can get rid of the interference by moving the radio, TV or equipment as far away from your microwave oven as possible.

If the oven doesn't work -

- Make sure the mains plug is plugged in securely. If it is not, remove the plug from the socket, wait 10 seconds and plug it in again securely.
- Check the premises for a blown circuit fuse or a tripped main circuit breaker. If these seem to be working properly, test the socket with another appliance.

If the microwave power will not work –

- Check to see whether the timer is set.
- Make sure the door is securely closed. Otherwise, the microwave energy will not flow into the oven

For Customer Services & Spare Parts please call **0845 209 7461** Opening times: Monday Friday 9am – 5pm

## Guarantee

This product is guaranteed for 12 months from the date of the original purchase. If any defect arises due to faulty materials or workmanship the faulty product must be returned to the place of purchase.

Refund or replacement is at the discretion of the store.

### **The following conditions apply:**

- The product must be returned to the retailer with the original proof of purchase.
- The product must be installed and used in accordance with the instructions contained in this instruction guide and any other instructions for use which has been supplied.
- It must be used for domestic purposes only and for its intended use.
- This guarantee does not cover wear and tear, damage, misuse or consumable parts.

### **This does not affect your statutory rights.**

For Customer Services & Spare Parts please call **0845 209 7461** Opening times: Monday Friday 9am – 5pm

## Specifications

Rated Voltage: 230V – 240V ~ 50Hz

Rated Input Power(Microwave): 1200W

Rated Output Power(Microwave): 800W

Oven Capacity: 20 L

Turntable Diameter: 245 mm

External Dimensions(LxWxH): 452mmX390mmX262mm

Net Weight: Approx. 12 kg

For Customer Services & Spare Parts please call **0845 209 7461** Opening times: Monday Friday 9am – 5pm





For Customer  
Services please call  
**0845 209 7461**  
Opening times:  
Monday - Friday  
9am until 5pm

## Revision 1



This symbol is known as the 'Crossed-out wheellie bin Symbol'. When this symbol is marked on a product/batteries, it means that the product/batteries should not be disposed of with your general household waste. Only discard electrical/electronic/battery items in separate collection schemes, which cater for the recovery and recycling of materials contained within. Your co-operation is vital to make sure the success of these schemes and for the protection of the environment. For your nearest disposal facility, visit [www.recycle-more.co.uk](http://www.recycle-more.co.uk) or ask in store for details.

We reserve the right due to possible changes to design to alter the instruction manual without prior notice.

For Customer Services & Spare Parts please call **0845 209 7461** Opening times: Monday Friday 9am – 5pm