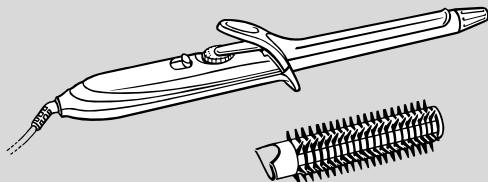
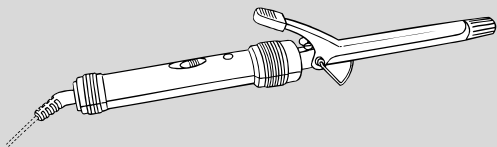


Rowenta

039534/08-02



Gebrauchsanweisung

Instructions for use

Notice d'emploi

Gebruiksaanwijzing

Istruzioni per l'uso

Modo de empleo

Instruções de
utilização

Bruksanvisning

Brugsanvisning

Brugsanvisning

Käyttöohje

Návod k použití

Használati utasítás

Návod na použitie

Instrukcja używania

Упътване за употреба

Instrucțiuni de folosire

Navodilo za uporabo

Uputstvo za uporabu

Инструкция по
использованию

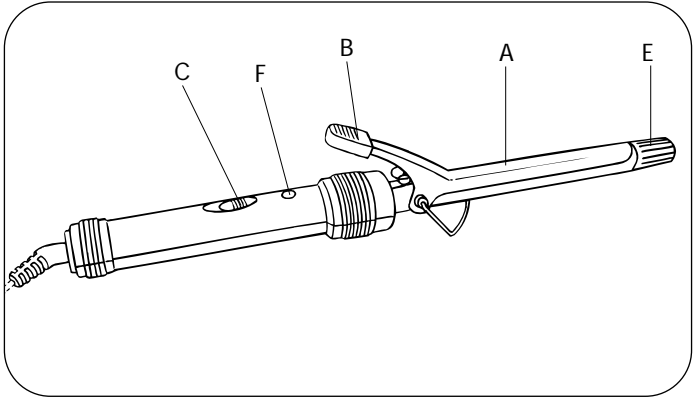
Οδηγίες χρήσεως

Kullanma talimatı

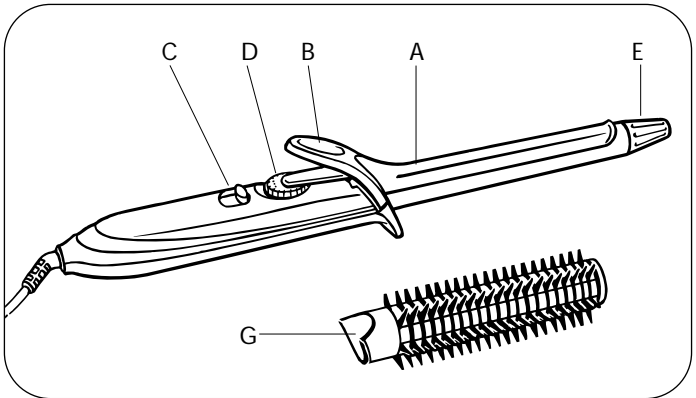
使用说明 电吹风机系列

دليل الاستعمال





Mod.A = PS205



Mod.B = PS207

1 - PRESENTATION OF THE UNIT

GB

- | | |
|---------------------------|--------------------------------|
| A. Spoon | D. Temperature selector switch |
| B. Automatic curl release | E. Stay cool tip |
| C. On/Off key pad | F. Brush accessory (Mod.B) |

2 - SAFETY PRECAUTIONS

GB

- Check that the unit voltage corresponds to the voltage of your electrical supply (220-240 V). Any error may cause irreversible damage that is not covered by the guarantee.
- Never pull on the cord to unplug the appliance. Only use an extension lead that is in perfect condition.
- Do not use the appliance near a bathtub or sink that is filled with water.
- Do not touch the curling tong with wet hands even though it is perfectly insulated. Never immerse the appliance in water.
- The appliance must not be left unattended when switched on. Unplug it as soon as you have finished using it or when you leave the room.
- Do not leave the appliance within the reach of children.
- If the power cord shows signs of wear, it must be replaced by a strictly identical cord, sold by an approved Service Centre (see attached list).
- If your curling tong is dropped, have it checked by an approved Service Centre before using it again. Non-visible damage to the appliance may be detrimental to your safety.
- Your curling tong requires special tools for repair. We recommend that you do not disassemble it. For any servicing problem, see your usual retailer or an approved Service Centre.
- The barrel of the appliance becomes very hot during use. Take care to avoid any contact between the hot barrel and your skin. Ensure that the power cord never comes into contact with the hot parts of the appliance.

WIRING INSTRUCTIONS - FOR U.K. ONLY. SAFETY NOTES - FOR REWIREABLE OR MOULDED PLUG.

The mains lead of this appliance may be already fitted with a BS 1363 13 A plug. Should the fuse need to be replaced, a 13 A ASTA approved BS 1362 fuse must be used.

If your socket outlet is not suitable for the plug, then the plug must be removed (cut off if it is a moulded on plug) and an appropriate one fitted. Warning : dispose of a plug that has been cut from the power supply cord, as such a plug is hazardous if inserted in a live 13 A socket outlet elsewhere in the house.

Always replace, the fuse cover after fitting a fuse. The plug must NOT be used if the cover is omitted or lost until a replacement is obtained - make certain that only the correct fuse cover is used and fitted.

For plugs with a detachable fuse cover the replacement must be the same as the colour insert in the base of the plug, or as directly by the embossed wording on the base of the plug.

If the detachable fuse cover is lost, a replacement may be purchased from Rowenta Service Centre (see enclosed Service Information leaflet). Information for supply may also be obtained from the plug manufacturer.

U.K. ONLY - FITTING A PLUG.

Important: the wires in this lead are coloured in accordance with the following codes Blue, Neutral, Brown, live.

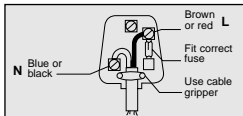
Please read the instructions given below before connecting the cord to a plug. if in doubt, please consult a qualified electrician.

As the colours of the wires in the mains lead of this appliance may not correspond with the coloured markings identifying the terminals in your plug, proceed as follows:

- the wire which is coloured BLUE must be connected to the terminal which is marked with the letter "N" or coloured BLACK;
- the wire which is coloured BROWN must be connected to the terminal which is marked with the letter "L" or coloured RED.

Neither core is to be connected to the earth terminal of a three-pin plug.

This appliance requires a 13 A fuse ASTA approved to BS 1362.



3 - RECOMMENDATIONS



Your hair must be untangled, clean and DRY (in order not to damage your hair).

1. Put your curling tong on a flat surface, balanced on its safety stand.
2. **Mod. A** : Plug in the appliance. Select the right temperature to curl your hair with efficiency and optimum care :
 - 1: fine or delicate hair
 - 2 : normal hair, thick or difficult to curl hair
2. **Mod. B** : Plug in the appliance and switch it on. Select the right temperature to curl your hair with efficiency and optimum care :
 - • : fine or delicate hair
 - •• : normal hair
 - ••• : thick or difficult to curl hair

Wait for 10 minutes until the appliance reaches the right temperature.

3. Part a thin section of hair 2-3 cm wide.
4. Open the spoon by pressing the automatic curl release and slide the tip of the hair section between the spoon and the barrel.
5. Release the tongs to close. Ensure that the tip of the hair section comes out on the other side of the spoon. Hold the stay cool tip with your free hand.
6. Turn the appliance in order to wrap up the hair section around the accessory. Wrap up the curl as near to the scalp as possible without getting burnt.
7. Hold the hair section in this position for approximately 20 seconds for tight curls (less than 20 seconds if you wish to have softer curls).

- When you have obtained the required curl, half unroll the curled section of hair. Open the tongs by pressing the automatic curl release and let the curl slide out.
- Repeat this operation to form a new curl.
You may comb or brush your hair slightly **AFTER HAVING LET THE CURLS GET COLD**, so as to obtain a result of more natural waves.

4 - USE OF THE BRUSH ACCESSORY (Mod.B)



Slide the brush attachment over the tong and make sure it holds well. **ONLY DO THIS WHEN THE CURLING IRON IS COLD TO AVOID GETTING BURNT.**
Select the temperature as described before.
Brush your hair from root to tip.

5 - CLEANING



Unplug the appliance and let it get cold on its stand.
Clean it when it's perfectly cold. Wipe the handle with a damp soft duster.
Never use water or any other liquid inside the handle.

6 - GUARANTEE



Your curling tong is covered by a one-year guarantee. Any connection error or abnormal use cancels the guarantee. Professional use is not covered by the guarantee. For any problem, see your usual retailer or an approved Service Centre.

7. ENVIRONMENTAL PROTECTION



At the end of your product's useful life, please take it to a waste collection centre for recycling.



SERVICE- SPARE PARTS. (U.K. ONLY)

Rowenta (U.K.) Ltd has a network of Service Agents throughout the country. To telephone your nearest Rowenta Service Centre see enclosed Service Information leaflet. These Service Agents carry-out in-guarantee repairs (free of charge) and out of guarantee repairs (chargeable) on behalf of Rowenta. Should service be required, or the appliance appear faulty, consult your local Rowenta Service Agent in the first instance. If a product develops a fault during the guarantee period it is the responsibility of the consumer to supply to the Service Agent proof of the date of purchase of the appliance (eg. Completed guarantee card and/or receipt showing the date of purchase).

GUARANTEE (U.K. ONLY)

Details of the Rowenta guarantee are shown on the Guarantee Card enclosed with the appliance. This guarantee does not affect your statutory rights.

Should further information be required please see the enclosed Service Information leaflet.