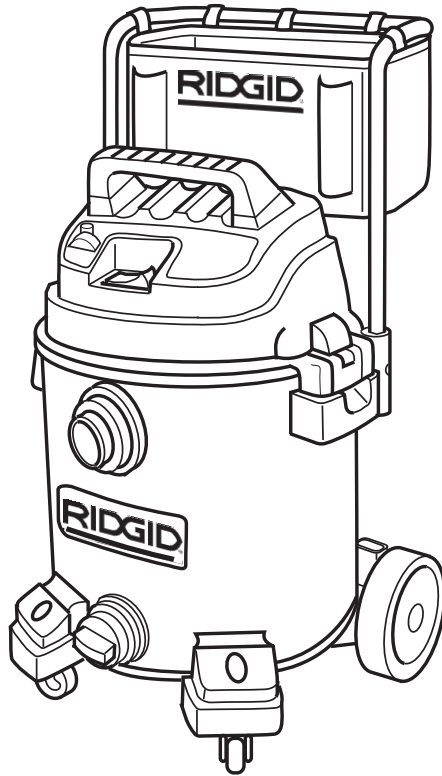


OPERATOR'S MANUAL

16 U.S. GALLONS/60 LITERS
PROFESSIONAL WET/DRY VAC

WD1950



FOR QUESTIONS OR INFORMATION CONTACT US AT
CALL 1-800-4-RIDGID (1-800-474-3443) OR
www.ridgidvacs.com

▲ WARNING:

To reduce the risk of injury, the user must read and understand the operator's manual before using this product.

Thank you for buying a RIDGID product.

SAVE THIS MANUAL FOR FUTURE REFERENCE

Table of Contents

Section	Page	Section	Page
Important Safety Instructions	2	Filter Performance Sensor	11
Introduction	4	Emptying the Drum	11
Unpacking and Checking		Moving the Wet/Dry Vac	12
Carton Contents	4	Blowing Feature	12
Removing/Installing The Metal Handle	6	Accessory and Hose Storage	12
Installing Handle	6	Cord Wrap	13
Lowering Handle for Storage	6	Maintenance	13
Removing Handle	6	Filter	13
Installing Tool Holder	6	Cleaning & Disinfecting the Wet/Dry Vac	14
Replacement Filter Assembly	7	Storage	14
Drum/Caddy Assembly	8	Casters & Wheels	14
Wet/Dry Vac Assembly	9	Frame & Handles	14
Insert Hose	9	Wet Nozzle	
Operation	10	Filter Replacement	16
Vacuuming Dry Materials	10	Repair Parts	18
Vacuuming Liquids	11	Warranty	22

IMPORTANT SAFETY INSTRUCTIONS

Safety is a combination of common sense, staying alert, and knowing how your wet/dry vacuum cleaner ("Vac") works.

Safety Signal Words

▲ DANGER: Indicates an imminently hazardous situation which, if not avoided, **will** result in death or serious injury.

▲ WARNING: Indicates a potentially hazardous situation which, if not avoided, **could** result in death or serious injury.

▲ CAUTION: Indicates a potentially hazardous situation which, if not avoided, **may** result in minor or moderate injury.

When using your Vac, always follow basic safety precautions including the following:

▲ WARNING - To reduce the risk of fire, electric shock, or injury:

- Read and understand this operator's manual and all labels on the Wet/Dry Vac before operating.
- Use only as described in this manual.
- Do not leave Vac running while unattended.
- Sparks inside the motor can ignite flammable vapors or dust. To reduce the risk of fire or explosion, do not vacuum or use near flammable or combustible liquids, gases, or explosive dusts, such as gasoline or other fuels, lighter fluid, cleaners, oil-based paints, natural gas, hydrogen, coal dust, magnesium dust, aluminum dust, grain dust, or gun powder.

- Do not vacuum anything that is burning or smoking, such as cigarettes, matches, or hot ashes.
- Do not vacuum drywall dust or cold fireplace soot or ash with standard filter. This is a very fine dust which may be exhausted back into the air. Use a fine dust filter instead.
- To reduce the risk of health hazards from vapors or dust, do not vacuum toxic materials.
- Do not use or store near hazardous materials.
- To reduce the risk of electric shock, do not expose to rain or allow liquid to enter motor compartment. Store indoors.
- Do not allow to be used as a toy. Close attention is necessary when used by or near children.
- Do not use with a torn filter or without the filter installed except when vacuuming liquids as described in the Operation section of this manual. Dry debris ingested by the impeller may damage the motor or be exhausted back into the air.
- **WARNING:** The power cord on this product contains lead, a chemical known in the State of California to cause birth defects or other reproductive harm. **Wash hands after handling.**
- Do not leave Vac plugged in. Unplug from outlet when not in use and before servicing.

- Turn off Vac before unplugging.
- To reduce the risk of injury from accidental starting, unplug power cord before changing or cleaning filter.
- Do not unplug by pulling on cord. To unplug, grasp the plug, not the cord.
- Do not use with damaged cord, plug or other parts. If your Vac is not working as it should, has missing parts, has been dropped, damaged, left outdoors, or dropped into water, return it to an Authorized Service Center.
- Do not pull or carry by cord, use cord as handle, close a door on cord, or pull cord around sharp edges or corners. Do not run Vac over cord. Keep cord away from heated surfaces.
- Do not handle plug, switch, or the Vac with wet hands.
- Do not put any object into ventilation openings. Do not vacuum with any ventilation openings blocked; keep free of dust, lint, hair or anything that may reduce air flow.
- Keep hair, loose clothing, fingers, and all parts of body away from openings and moving parts.
- To reduce the risk of falls, use extra care when cleaning on stairs.
- To reduce the risk of back injury or falls, do not lift a Vac that is heavy with liquid or debris. Partially empty the Vac by scooping or draining liquid to make it comfortable to lift.
- To reduce the risk of personal injury or damage to Vac, use only Ridgid recommended accessories.
- When using as a blower:
 - Direct air discharge only at work area.
 - Do not direct air at bystanders.
 - Keep children away when blowing.
 - Do not use blower for any job except blowing dirt and debris.
 - Do not use as a sprayer.
 - Wear safety eyewear.
- To reduce the risk of eye injury, wear safety eyewear. The operation of any utility Vac or blower can result in foreign objects being blown into the eyes, which can result in severe eye damage.

- This Wet/Dry Vac is double-insulated, eliminating the need for a separate grounding system. Use only identical replacement parts. Read the instructions for Servicing Double-Insulated Wet/Dry Vacs before servicing.
- Use only extension cords that are rated for outdoor use. Extension cords in poor condition or that are too small in wire size can pose fire and shock hazards. To reduce the risk of these hazards when using an extension cord, be sure it is in good condition and that the connection does not come into contact with liquid. To keep power loss to a minimum, use the following table to choose the minimum wire size extension cord.

Extension Cord Length	Gauge A.W.G.
0-50 Ft.	14
50-100 Ft.	12

▲ CAUTION:

- To reduce the risk of hearing damage, wear ear protectors when using for extended hours or using in a noisy area.
- For dusty operations, wear dust mask.

NOTE: Static shocks are common in dry areas or when the relative humidity of the air is low. Vacuuming fine debris with your Vac can deposit static charge on the hose or on the Vac. The best remedy to reduce the frequency of static shocks in your home or when using this Vac is to add moisture to the air with a humidifier.

Observe the following warnings that appear on the motor housing of your Vac:

**DOUBLE INSULATED
GROUNDING NOT REQUIRED.
WHEN SERVICING USE ONLY
IDENTICAL REPLACEMENT PARTS.**

▲ WARNING: For your own safety, read and understand operator's manual. Do not run unattended. Do not pick up hot ashes, coals, toxic, flammable or other hazardous materials. Do not use around explosive liquids or vapors.

WARNING: To reduce the risk of electric shock - do not expose to rain - store indoors.

SAVE THIS MANUAL

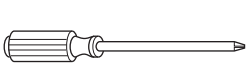
Introduction

This Professional Wet/Dry Vac is intended for household use. It may be used for vacuuming wet or dry media and may be used as a blower.

Read this operator's manual to familiarize yourself with the product features and to understand the specific usage of your new Vac.

Unpacking and Checking Carton Contents

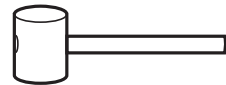
Tools Required



Long Phillips Screwdriver



Hammer



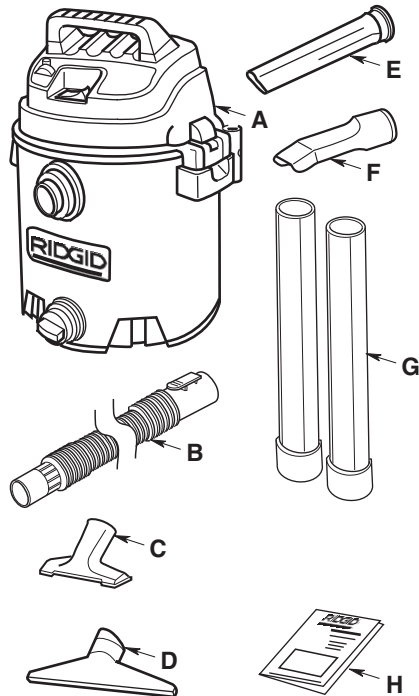
Mallet

Refer to the assembly sketch for positioning of parts.

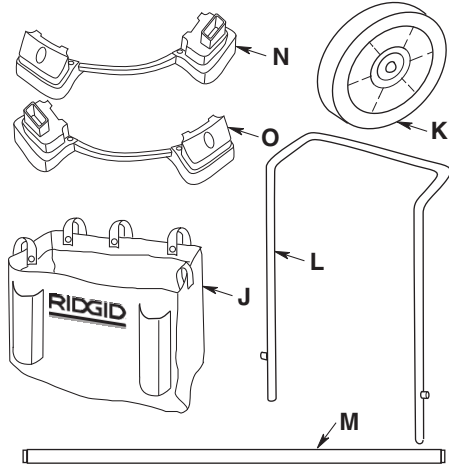
Remove contents of carton. Check each item against the Carton Contents List. Call 1-800-4-RIDGID (1-800-474-3443) or E-mail us at info@ridgidvac.com if any parts are damaged or missing.

Carton Contents List

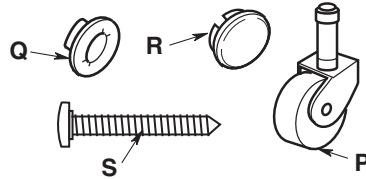
Key	Description	Qty
A	Wet/Dry Vac Assembly.....	1
B	Tug-A-Long Hose.....	1
C	Utility Nozzle.....	1
D	Wet Nozzle.....	1
E	Crevice Nozzle.....	1
F	Car Nozzle.....	1
G	Extension Wands.....	2
H	Operator's Manual.....	1



Key	Description	Qty
Carton containing the following parts:		
J	Storage Bag	1
K	8" Wheel	2
L	Metal Handle	1
M	Shaft	1
N	Caddy, Right	1
O	Caddy, Left	1



Key	Description	Qty
Bag of Loose Parts - Containing the following:		
P	2" Caster	2
Q	1/2" Cap Nut	2
R	Wheel Caps	2
S	Screw, Type AB #10 x 3/4	8



Removing/Installing the Metal Handle

Your Metal handle comes packaged in the carton in the reverse direction. You must pull the metal handle completely out of vac and reinstall the handle in the correct direction, bent area facing away from the back of the vac, before continuing.

Installing Handle

Press and hold release buttons while installing handle into handle receptacles in drum (See illustration).

NOTE: An audible snap of release buttons indicates successful engagement of handle.

Lowering Handle for Storage

To store Wet/Dry Vac, press and hold release buttons while firmly sliding handle down.

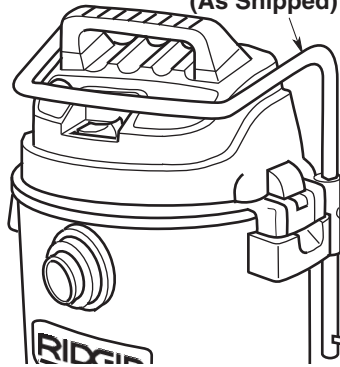
Removing Handle

Press and hold release buttons, as shown. While firmly pushing in release buttons, pull handle upwards to remove (see illustration).

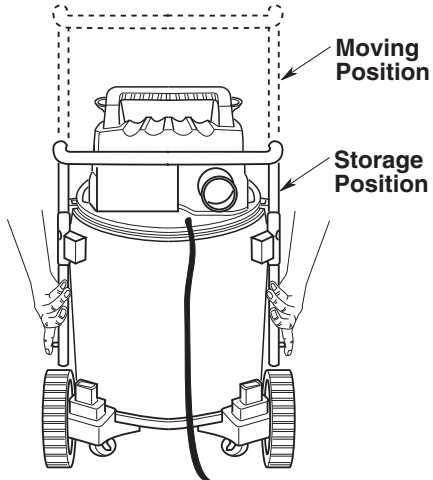
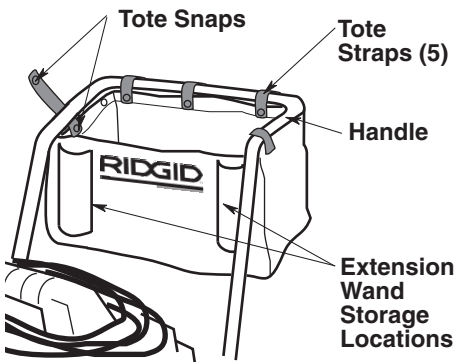
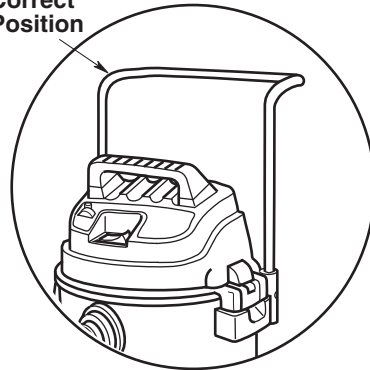
Installing Tool Holder

Install tool holder as shown with extension wand holders facing unit.

Metal Handle in Reversed Position (As Shipped)



Correct Position



Replacement Filter Assembly

1. Carefully slide the filter over the filter cage, sliding it over the center ring covering the 3 slots until the filter stops against the lid.

2. Place filter nut onto threaded stud and tighten it down. Finger tighten only.

NOTE: Lever of filter nut should be away from plate as shown.

IMPORTANT: Do not overtighten as this may deform or crack the filter cage, or filter.

NOTE: If filter cage needs to be removed, because the float is placed in the wrong way, use a flat blade screwdriver and insert the blade near one of the tabs between the filter cage and the center ring of the lid. Pry the tab out of the slot. Tilt the cage and lift away from the lid. To replace, follow the assembly instructions below:

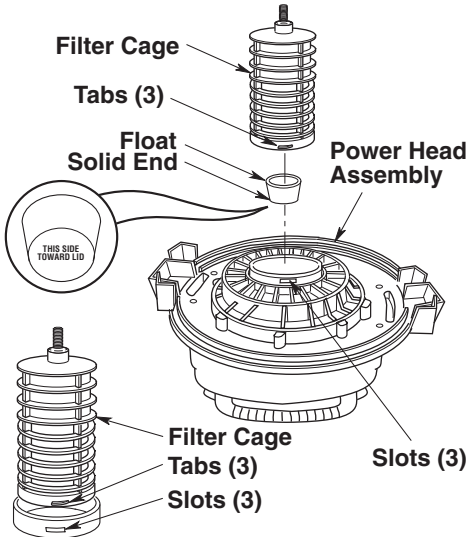
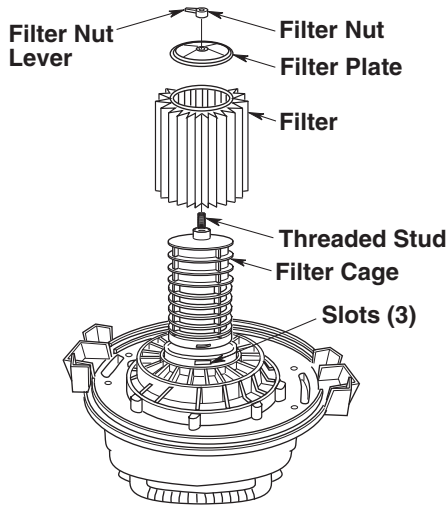
⚠ WARNING: For your own safety, never connect plug to power source outlet until all assembly steps are complete and you have read and understood the safety and operation instructions. Do not operate vac with any parts damaged or missing.

3. Place the float over the opening in the center of the lid with the words "This Side Towards Lid" laying face down over the hole.

⚠ WARNING: To reduce the risk of personal injury or damage to vac be sure to keep hands, fingers, or any other foreign objects out of the center opening when assembling the float.

4. Line up filter cage tabs with slots in the center ring of the lid.

5. Push on the filter cage until the tabs snap into slots for a secure fit.



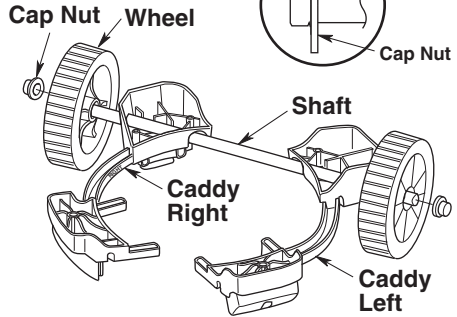
Drum/Caddy Assembly

If any parts are missing or damaged contact Customer Service.

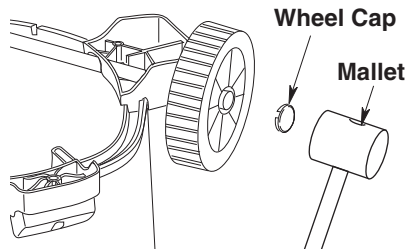
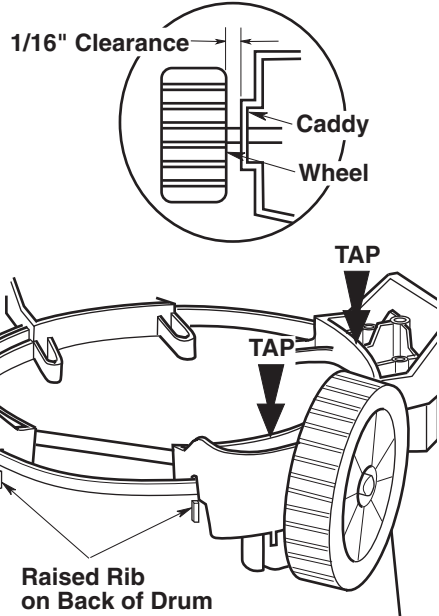
Do not assemble until you have all the parts.

1. Invert drum to install caddies. Install cap nut on one side of shaft rod. Tap gently with rubber mallet or hammer until fully seated. Slide open end of shaft through the wheel (smooth side of wheel facing outward).
2. Place wheel/shaft assembly through caddy left and on through the caddy right, as shown.
3. Then place the remaining wheel onto the caddy assembly (smooth side of wheel facing outward), and install second cap nut.
4. Place the caddy assembly onto the drum rim. Align inside edges of both left and right caddies with the raised outer ribs, located on back of the drum. Be sure that wheels spin freely, and do not contact the caddies. If the wheels do touch the caddies, move caddies inward slightly.
5. Once the caddies are aligned with the raised ribs on back of the drum, gently tap on rear of each caddy until firmly seated. It is recommended to tap the center portion of each rear caddy. After rear portions of caddies are firmly in place, proceed to tap into place the front portion of each caddy until fully seated. It is recommended to tap the center portion of the front caddies as shown.
6. Using a rubber mallet or hammer, gently tap the wheel caps onto each wheel until the wheel caps are firmly seated onto each wheel. This is required on both left and right sides.

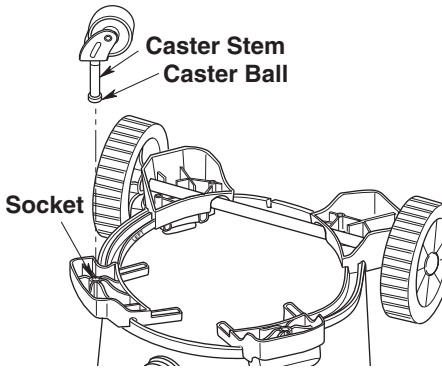
NOTE: Smooth side of the wheel to the outside.



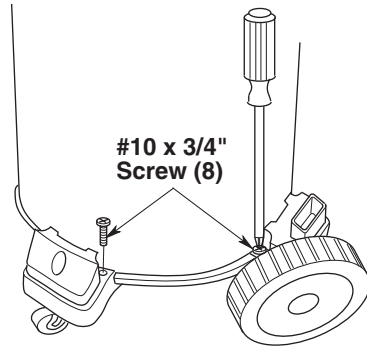
CADDY ASSEMBLY



7. Insert the caster stem into the socket of the caster foot as shown. (Front casters only).
8. Push on the caster until the ball on the caster stem is inserted all the way into the socket. You will be able to hear the ball snap into the socket and the caster will swivel easily when positioning is correct.

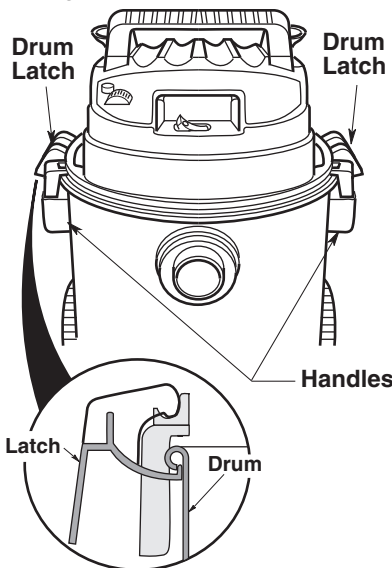


9. Rotate drum/caddy assembly upright, using a long phillips screwdriver, install (8) #10 x 3/4" screws into matching holes on both right and left side of caddy. Tighten screws until just snug. Do not over tighten as this may tend to deform the caddies.



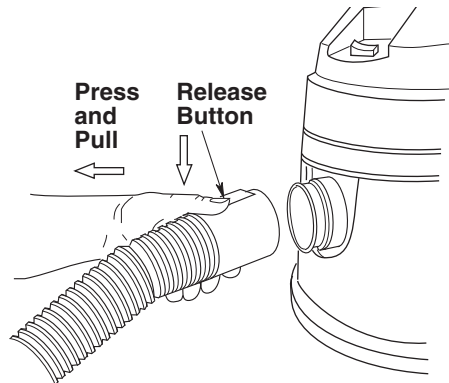
Wet/Dry Vac Assembly

1. Position the powerhead assembly on the drum/caddy assembly as shown (assembled earlier).
2. Rotate both latches down and press until you hear them snap over the flanges on the drum.



Insert Hose

Insert the push button end of the "Tug-A-Long" hose into the inlet of the vac. The hose should snap into place. To remove the hose from the vac, press the release button in the hose assembly and pull the hose out of the vac inlet, as shown.



Operation

▲ WARNING

To reduce the risk of fire or explosion, do not operate this vac in areas with flammable gases, vapors or explosive dust in the air. Flammable gases or vapors include but are not limited to; lighter fluid, solvent type cleaners, oil-base paints, gasoline, alcohol or aerosol sprays. Explosive dusts include but are not limited to; coal, magnesium, aluminum, grain or gun powder. Do not vacuum explosive dust, flammable or combustible liquids or hot ashes. Do not use this vac as a sprayer. To reduce the risk of health hazards from vapors or dusts, do not vacuum toxic materials.

▲ WARNING: The operation of any utility vac can result in foreign objects being blown into the eyes, which can result in severe eye damage. Always wear safety eyewear complying with ANSI Z87.1 (or in Canada, CSA Z94.3) before starting operation. Safety eyewear are available at many local retail stores.

▲ CAUTION: To reduce risk of hearing damage, wear ear protectors when using the vac for extended hours or when using it in a noisy area.

To reduce the risk of electric shock, this appliance has a polarized plug (one blade is wider than the other). This plug will fit in a polarized outlet only one way. If the plug does not fit fully in the outlet, reverse the plug. If it still does not fit, contact a qualified electrician to install the proper outlet. Do not change the plug in any way.

After you plug the power cord into the outlet, turn the unit on by pushing the switch from position "O" to position "I". The symbols used on the switch actuator are international "On & Off" symbols. "O" is the symbol for "OFF" and "I" is the symbol for "ON".

○ = OFF | = ON

Familiarize yourself with the accessories included with the vac. Each accessory may be used in various ways for vacuuming and blowing debris. Here is a list of the accessories and their uses.

Utility Nozzle - General purpose nozzle for most vacuuming applications.

Wet Nozzle - Used for wet pickup on smooth surfaces to pick up liquid and dry the surface in one stroke.

Car Nozzle - Dry pickup nozzle for car interiors and most upholstery cleaning.

Extension Wands - These wands can be connected together and provides additional length for more reach.

Hose - Provides transfer of vacuum or blowing capability to work site. Provides the means of attaching extension wands and nozzles.

Crevice Tool - Use to pick up debris in hard to reach locations.

▲ WARNING: To reduce the risk of fire or electric shock, do not run vac unattended.

Vacuuming Dry Materials

1. The filter must always be in correct position to reduce the risk of leaks and possible damage to vac.
2. Your Wet/Dry Vac comes with the VF5000 Filter installed. When using your vac to pick up very fine dust, it will be necessary for you to empty the drum and clean the filter at more frequent intervals to maintain peak vac performance.

NOTE: A dry filter is necessary to pick up dry material. If you use your vac to pick up dust when the filter is wet, the filter will clog quickly and be very difficult to clean.

3. If your filter is wet but you need to use the vac to pick up dry material, you can quickly dry the filter by running the vac without hose attached for about 10 minutes. The clean air rushing through the vac will help dry the filter.

Vacuuming Liquids

1. When picking up small amounts of liquid the filter may be left in place.
2. When picking up large amounts of liquid we recommend that the filter be removed. If the filter is not removed, it will become saturated and misting may appear in the exhaust.
3. When the liquid in the drum reaches a predetermined level, the float mechanism will rise automatically to cut off air-flow. When this happens, turn off the vac, unplug the power cord, and empty the drum. You will know that the float has risen because vac airflow ceases and the motor noise will become higher in pitch, due to increased motor speed.
4. After using the vac to pick up liquids, the filter must be dried to reduce the risk of possible mildew and damage to the filter.

IMPORTANT: To reduce the risk of damage to the vac do not run motor with float in raised position.

Filter Performance Sensor

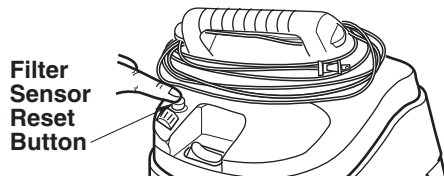
1. This Wet/Dry Vac features an innovative device for determining when your filter needs to be cleaned. This patent pending design works whether the Wet/Dry Vac is on or off.
2. Bars of color show the cleanliness of your filter. All green bars indicate that your filter is clean and ready to use.
3. As the filter becomes dirty, orange bars will appear and green bars will disappear.
4. All orange bars indicate that your filter is dirty and needs to be cleaned or replaced.
5. Your Wet/Dry Vac operates most efficiently and powerfully, with a clean filter. When the filter performance sensor shows all orange bars, the

performance of your Wet/Dry Vac is approximately 40-55% of its original power with a clean filter. At any point during the increasing orange bars, you may elect to clean the filter.

6. To set the indicator bars back to the original full green position, press the sensor reset button.

NOTE: Do not press the sensor reset button while the Wet/Dry Vac is running. This may damage the filter performance sensor.

7. Press the sensor reset button until all green bars show. This should be done whenever you clean or replace the filter. Depending on how clean you get the filter, will determine how many orange bars show. A new filter will show all green.



Emptying the Drum

▲ WARNING: To reduce the risk of injury from accidental starting, unplug power cord before emptying the drum.

1. The vac comes equipped with a drain for easy emptying of liquids. Simply unscrew the drain cap and lift the opposite side slightly to empty the drum.
2. Another option is to remove the powerhead assembly.
3. Lay powerhead assembly aside on a clean area while emptying drum.
4. Dump the drum contents into the proper waste disposal container.

▲ WARNING: To reduce the risk of back injury or falls, do not lift a vac heavy with liquid or debris. Scoop or drain enough contents out to make the vac light enough to lift comfortably.

Operation (continued)

Moving the Wet/Dry Vac

Should it become necessary to pick the vac up to move it, the handle on the sides of the dust drum are used to lift. To maneuver the vac, the metal handle in the rear of the unit should be used.

Blowing Feature

Your vac features a blowing port. It can blow sawdust and other debris. Follow the steps below to use your vac as a blower.

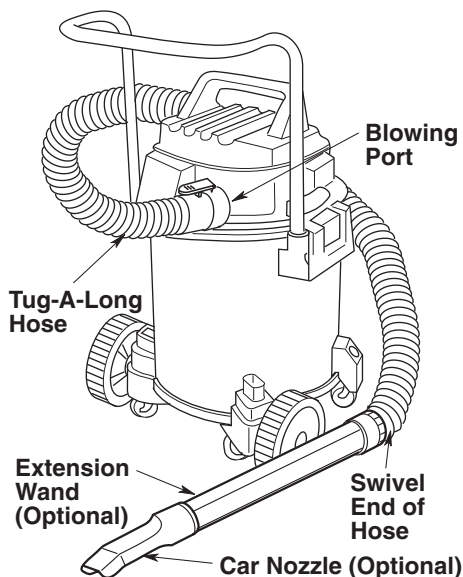
1. Locate blowing port of your vac.

▲ WARNING: Always wear safety eyewear complying with ANSI Z87.1 (or in Canada, CSA Z94.3) before using as a blower.

▲ WARNING: To reduce the risk of injury to bystanders, keep them clear of blowing debris.

▲ CAUTION: Wear a dust mask if blowing creates dust which might be inhaled.

▲ CAUTION: To reduce the risk of hearing damage wear ear protectors when using the vac/blower for extended hours or when using in a noisy area.



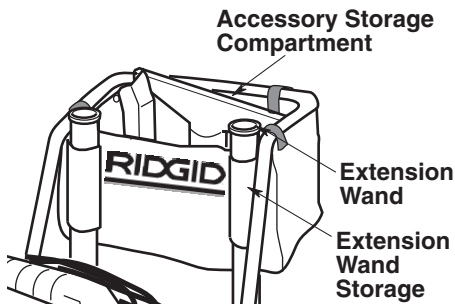
1. Locate blowing port of your vac.
2. Insert the locking end of the tug-along hose into the blowing port of the vac. The hose should snap into place. To remove the hose from the vac, press the release button in the hose assembly and pull the hose out of the vac inlet.
3. (Optional) Attach extension wand to opposite end of hose, then place the car nozzle on the wand.
4. Turn vac on and you are ready to use your vac as a blower.

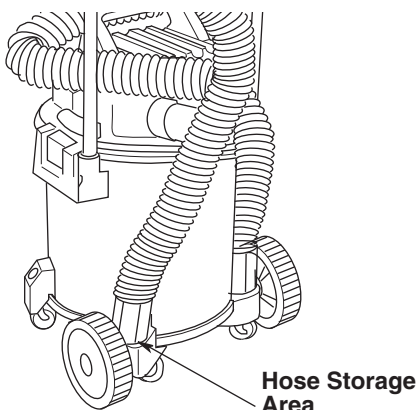
Accessory and Storage

Your accessories may be stored in the removable tote, or in the two locations on the caddy right/left. The hose may be stored by wrapping it around the unit and placing each end into the two areas marked Hose Storage.

NOTE: Insert male end of extension wand into the holder sleeve as shown.

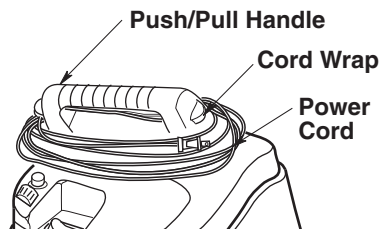
The hose may be stored by wrapping it around the unit and plugging the open end into one of the storage locations on the caddy assembly.





Cord Wrap

When vacuuming is complete, unplug the cord and wrap it around the power assembly as shown. The cord should wrap under the pull handle (above the inlet) and around and under the cord wrap of the motor cover.



Maintenance

Filter

▲ WARNING: To reduce the risk of injury from accidental starting, unplug power cord before changing or cleaning filter.

NOTE: The filter is made of high quality paper designed to stop very small particles of dust. The filter can be used for dry pick up or small amounts of liquid. Handle the filter carefully when removing to clean or installing it. Creases in the filter pleats may occur from installation but will not affect the performance of the filter.

Filter Cleaning

Your filter should be cleaned often to maintain peak vac performance.

Be sure to dry the filter before storing or picking up dry debris.

IMPORTANT: After cleaning, check the filter for tears or small holes. Do not use a filter with holes or tears in it. Even a small hole can cause a lot of dust to come out of your vac. Replace it immediately.

Filter Removal

To remove the filter for cleaning or replacement, unscrew the filter nut from the filter cage and lift off filter and filter plate .

IMPORTANT: To avoid damage to the

▲ WARNING: Do not operate with the filter cage and float removed. The float prevents water from entering the impeller and damaging the motor. The cage prevents fingers from touching the moving impeller.

blower wheel and motor, always reinstall the filter before using the vac for dry material pick-up.

Cleaning A Dry Filter

1. Some removal of dry debris can be accomplished without removing the filter from the vac. Slap your hand on top of the lid while the vac is turned off.
2. For best cleaning results due to accumulated dust, clean the filter in an open area. Cleaning **SHOULD** be done outdoors and not in the living quarters.
3. After filter removal from vac, remove the dry debris by gently tapping filter against the inside wall of your dust drum. The debris will loosen and fall.
4. For thorough cleaning of dry filter with fine dust (no debris), run water through it as described under "Cleaning A Wet Filter"

Maintenance (continued)

Cleaning A Wet Filter

After filter is removed, run water through the filter from a hose or spigot. Take care that water pressure from the hose is not strong enough to damage filter.

Installation

Refer to page 7 "Replacement Filter Assembly" Section of this manual.

Allow the filter to dry before reinstalling and storing the vac.

Cleaning and Disinfecting the Wet/Dry Vac

To keep your Wet/Dry Vac looking its best, clean the outside with a cloth dampened with warm water and mild soap.

To clean the drum:

1. Dump debris out.
2. Wash drum thoroughly with warm water and mild soap.
3. Wipe out with dry cloth.

Before prolonged storage or as needed (i.e.; waste water pick up) the drum should be disinfected.

To disinfect the drum:

1. Pour 1 gallon of water and 1 teaspoon chlorine bleach into the drum.
2. Let solution stand for 20 minutes, carefully swishing every few minutes, making sure to wet all inside surfaces of the drum.
3. Empty drum after 20 minutes. Rinse with water until bleach smell is gone. Allow drum to dry completely before sealing the motor on the drum.

Storage

Before storing your vac, the dust drum should be emptied and cleaned. The cord should be wrapped around the unit and the hose should be stored as described in this manual. Accessories should be kept in the same area as the vac so they can be readily available. The vac should be stored indoors.

Casters and Wheels

Should your cart squeak or become hard to roll, you should place two or three drops of general purpose oil on each wheel at the axle. If your casters are noisy, you may put a drop of oil on the roller shaft to make them quieter.

Frame and Handles

Your metal handle is painted to prevent rust, however, liquids and corrosive debris should be wiped off with a soft cloth should they come in contact with the handle.

▲ WARNING: To assure product SAFETY and RELIABILITY, repairs and adjustments should be performed by Authorized Service Centers, always using RIDGID replacement parts.

Wet Nozzle

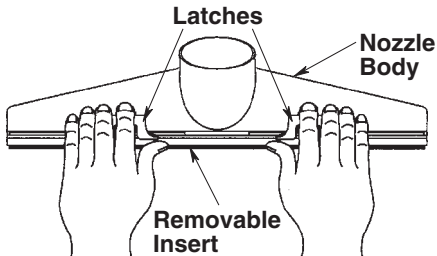
To pick up liquids off a smooth surface, use the 2-1/2 inch wet nozzle accessory supplied with your wet/dry vac. To use this nozzle, simply attach the nozzle to the end of an extension wand.

Connect a second extension wand to the first, and connect the 2-1/2 inch x 7 foot hose to the extension wand.

Liquids may be picked up by dragging the nozzle across the surface. The squeegee will dry the surface as you vacuum.

If the rubber becomes worn, it may be flipped over for use on the opposite side or replaced. (Replacement service part #822256). To reverse or replace the squeegee:

1. Lay the wet nozzle on a flat surface with the round inlet opening facing up and the two latches close to you as shown.
2. Using both hands, position each thumb

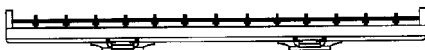


on the removable insert, (below the latches) and two fingers of each hand on each latch, lift and disengage the two latches from the tabs on the nozzle body.

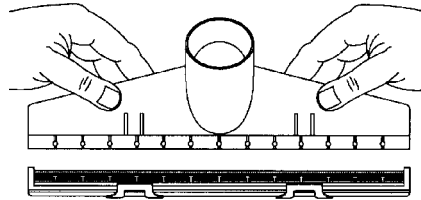
3. Gently pull the latches toward yourself to remove the insert.

To reinstall the removable insert correctly, follow these steps:

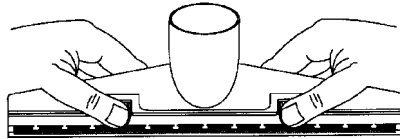
1. Place the removable insert on a flat surface with the pins positioned upward and the latches close to you as shown. Place the rubber squeegee on the insert, with the pins fitting through the matching holes in the squeegee. (Make sure the new working edge is located farthest from you.)
2. Using both hands, lower the nozzle



body onto the insert and squeegee with the round opening of the nozzle closest to you. With fingers on the far side and thumbs holding the latches of the removable insert, flip the nozzle over so the latches are on the top and the round inlet opening is facing away from you. Make sure the squeegee stays on the insert pins.

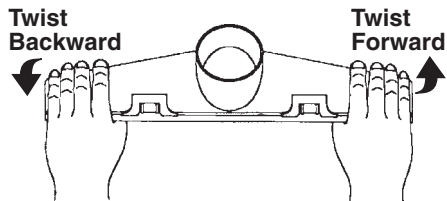


3. Press down with each thumb below the latching tabs until you see and hear the removable insert snap into the nozzle body. Snap the latches over the locking tabs into their original position.



4. Inspect the pins of the insert to make sure they fit through the holes of the squeegee and fit into the matching slots in the nozzle body.





NOTE: If the pins are out of position, hold the nozzle assembly with both hands and gently twist in opposite directions. The insert pins should snap into proper position.



The wet nozzle assembly is ready for wet pickup use.

Filter Replacement

Which Replacement Filter Meets Your Needs?

 <p>Choosing a filter is as easy as 1, 2, 3...</p>	 <p>Standard Filter</p>	 <p>Filter System with Microban[®] antimicrobial product protection Fights and inhibits the growth of mold, mildew and bacteria that can shorten filter life</p>	 <p>Filter System with Microban[®] antimicrobial product protection Fights and inhibits the growth of mold, mildew and bacteria that can shorten filter life</p>
<p>Applications</p>	<p>VF4000</p>	<p>STEP UP VF5000</p>	<p>STEP UP VF6000</p>
<ul style="list-style-type: none"> • Sawdust 	<p>✓</p>	<p>✓</p>	<p>✓</p>
<ul style="list-style-type: none"> • Wet Pick-up 	<p>✓</p>	<p>✓</p>	<p>✓</p>
<ul style="list-style-type: none"> • Typical Basement, Garage or Car Dirt 	<p>✓</p>	<p>✓</p>	<p>✓</p>
<ul style="list-style-type: none"> • Drywall Dust 		<p>✓</p>	<p>✓</p>
<ul style="list-style-type: none"> • Cold* Ashes <ul style="list-style-type: none"> - BBQ Grill - Fireplace <p>* DO NOT VACUUM ANYTHING THAT IS BURNING OR SMOKING, SUCH AS CIGARETTES, MATCHES OR HOT ASHES.</p>		<p>✓</p>	<p>✓</p>
<ul style="list-style-type: none"> • Antimicrobial Protection 		<p>Microban[®]</p>	<p>Microban[®]</p>
<ul style="list-style-type: none"> • Fine Indoor Particles <ul style="list-style-type: none"> - Pet Dander - Furnace Filter - Dryer Lint - Upholstery 			<p>HEPA TRAPS 99.97% OF PARTICLES DOWN TO .3 MICRONS</p>
<ul style="list-style-type: none"> • Cement Dust 			<p>HEPA</p>
<ul style="list-style-type: none"> • Pollen/Allergens 			<p>HEPA</p>

MICROBAN is a registered trademark of Microban Products Company

MAXIMIZE VACUUM PERFORMANCE WITH A NEW FILTER
Typical Replacement Frequency is 2 Times Per Year

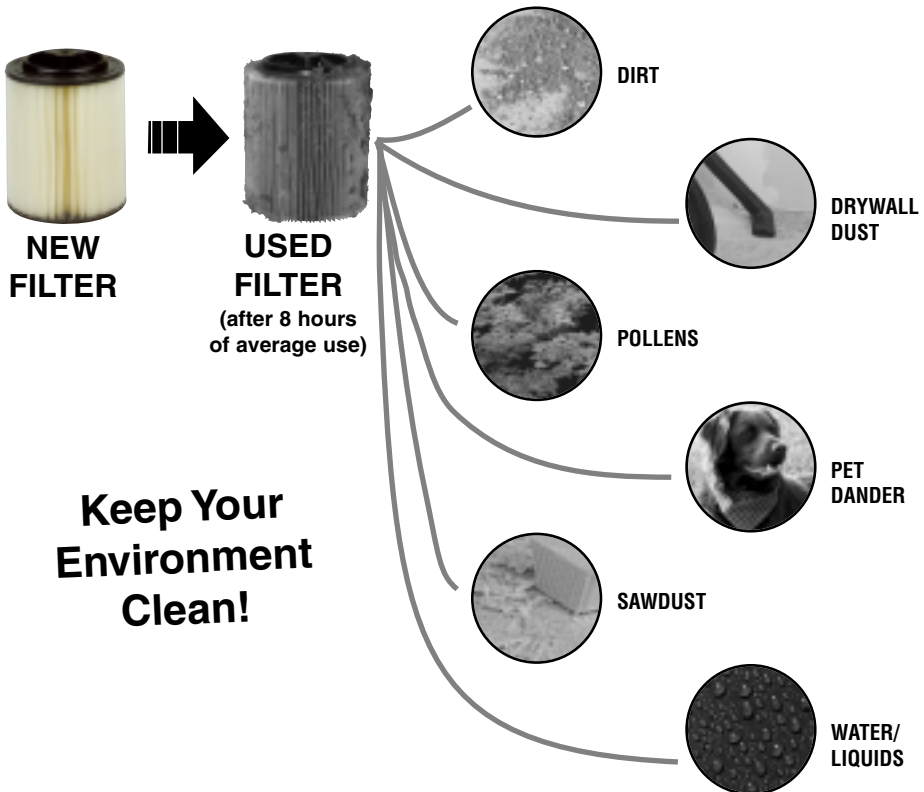
MAXIMIZE VACUUM PERFORMANCE WITH A NEW FILTER

Typical Replacement Frequency is 2 Times Per Year



Log on to www.ridgidvac.com to Join Our Filter Club and/or Enter Our \$500 Home Depot Gift Card Sweepstakes.

(No Need to Join the Filter Club to Win)



Repair Parts

16 Gallon Professional Wet/Dry Vac Model Number WD19500

RIDGID parts are available on-line at www.ridgidparts.com

Always order by Part Number - Not by Key Number


Key No.	Part No.	Description
1	830564	Actuator, Switch
2	813213	Switch, Toggle
3	829971-29	Motor Cover Assembly
4	830473	Filter Performance Sensor
5	509776-16	Motor Cover Assembly (Includes Keys 12 through 15)
6	829718-8	Cord Assembly
7	819260-7	Lead Assembly
8	830861	Lid Assembly (Includes Key 11)
9	830566-1	Duct Motor Exhaust
10	820563-5	Screw, Pan Head Type "AB" #10 x 1-1/4
11	830847	Lid Latch
12	818961	Spacer
13	818413	Blower Wheel
14	315534-1	Washer
15	826817	Nut, Hex Flange 5/16-18
16	829692-2	Collector Assembly
17	820563-4	Screw, Pan Head Serrated Type "AB" #10 x 3/4
18	830578-1	Tube Cover
19	820563-11	Screw, Pan Head Recessed Type "AB" #10 x 1
20	830498-2	Tube
21	823200A	Float
22	823201-1	Filter Cage
23	VF5000	† Filter - 2-Stage
24	73317	Filter Plate
25	73316	Filter Nut
26	VT2509	† Utility Nozzle
27	VT2503	† Car Nozzle
28	VT2510	† Wet Nozzle (Includes Key 30)
29	VT2502	† Crevice Tool
30	822256	Squeegee
31	826356-5	† Hose Assembly
32	VT2508	† Extension, Handle
33	SP6567	Operator's Manual

† These replacement parts may be available where you purchased your vac.

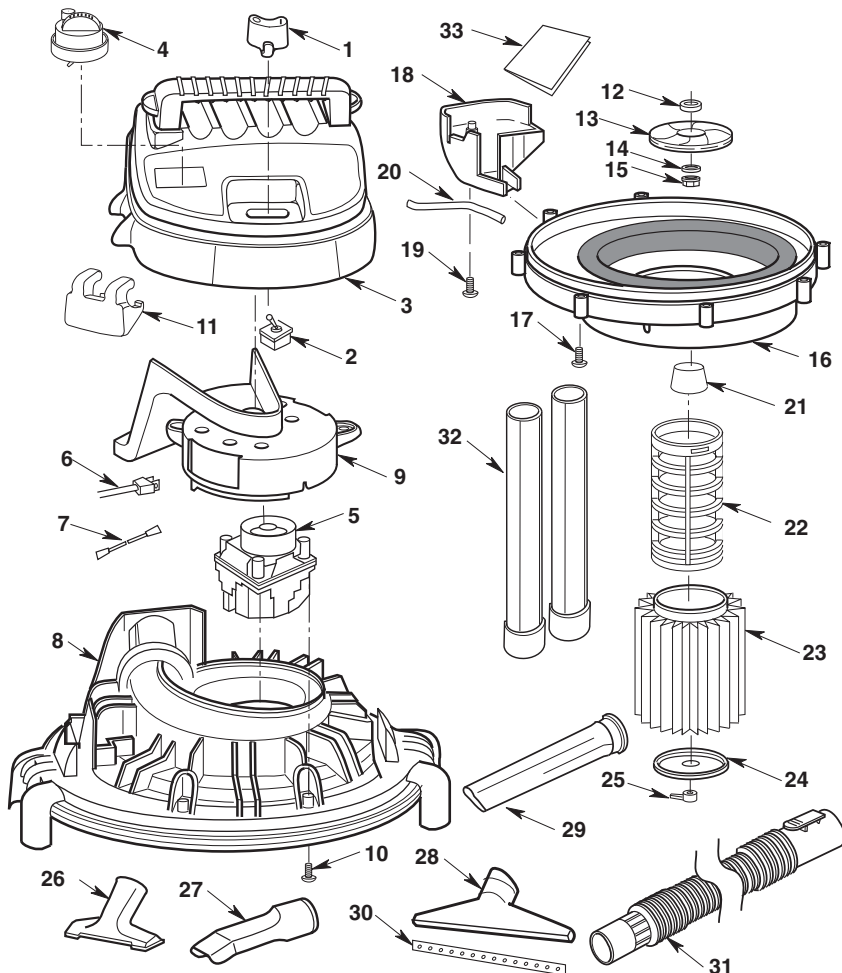
RIDGID parts are available on-line at www.ridgidparts.com

▲ WARNING

SERVICING OF DOUBLE-INSULATED WET/DRY VAC

In a double-insulated Wet/Dry Vac, two systems of insulation are provided instead of grounding. No grounding means is provided on a double-insulated appliance, nor should a means for grounding be added. Servicing a double-insulated Wet/Dry Vac requires extreme care and knowledge of the system, and should be done only by qualified service personnel. Replacement parts for a double-insulated Wet/Dry Vac must be identical to the parts they replace. Your double-insulated Wet/Dry Vac is marked with the words "DOUBLE INSULATED" and the symbol  (square within a square) may also be marked on the appliance.

To reduce the risk of injury from electrical shock, unplug power cord before servicing the electrical parts of the Wet/Dry Vac.



Repair Parts

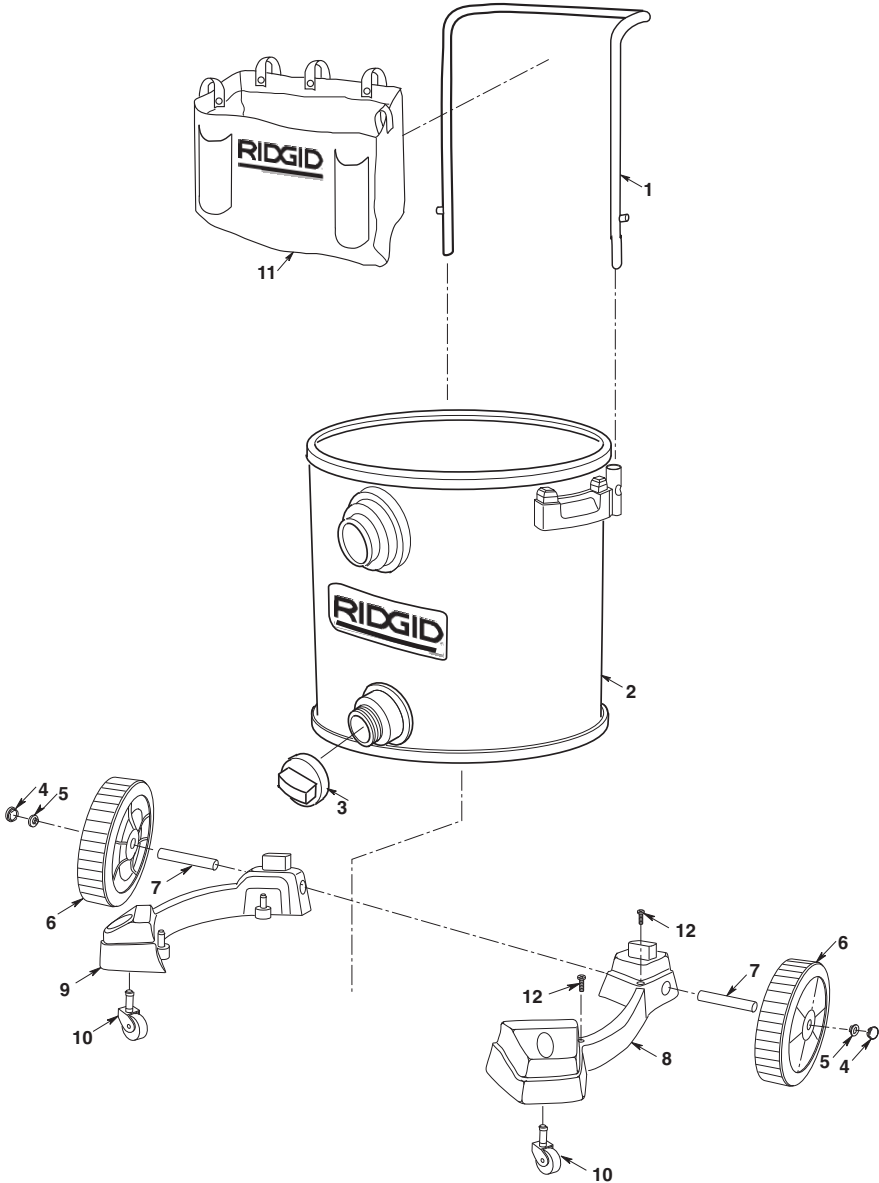
16 Gallon Professional Wet/Dry Vac Cart Model Number WD19500

RIDGID parts are available on-line at www.ridgidparts.com

Always order by Part Number - Not by Key Number

Key No.	Part No.	Description
1	830858	Handle Assembly
2	830846	Dust Drum Assembly
3	73185	Drain Cap
4	830611	Wheel Cap
5	813836-1	Cap Nut 1/2"
6	830598	8" Wheel Assembly (Includes Keys 4 and 5)
7	831024-1	Shaft
8	830841	Caddy, Right
9	830840	Caddy, Left
10	73102	Caster
11	830860	Tote
12	820563-4	Screw Type "AB" #10 x 3/4
13	509748-3	Bag of Loose Parts (Not Illustrated) (Includes Keys 4, 5, 10, and 12)

Repair Parts



RIDGID®



What is covered

RIDGID® tools are warranted to be free of defects in workmanship and material.

How long coverage lasts

This warranty lasts for the lifetime of the RIDGID® tool. Warranty coverage ends when the product becomes unusable for reasons other than defects in workmanship or material.

How can you get service

To obtain the benefit of this warranty, deliver via prepaid transportation the complete product to RIDGE TOOL COMPANY, Elyria, Ohio, or any authorized RIDGID® INDEPENDENT SERVICE CENTER. Pipe wrenches and other hand tools should be returned to the place of purchase.

What we will do to correct problems

Warranted products will be repaired or replaced, at RIDGE TOOL's option, and returned at no charge; or, if after three attempts to repair or replace during the warranty period the product is still defective, you can elect to receive a full refund of your purchase price.

What is not covered

Failures due to misuse, abuse or normal wear and tear are not covered by this warranty. RIDGE TOOL shall not be responsible for any incidental or consequential damages.

How local law relates to the warranty

Some states do not allow the exclusion or limitation of incidental or consequential damages, so the above limitation or exclusion may not apply to you. This warranty gives you specific rights, and you may also have other rights, which vary, from state to state, province to province, or country to country.

No other express warranty applies

This FULL LIFETIME WARRANTY is the sole and exclusive warranty for RIDGID® products. No employee, agent, dealer, or other person is authorized to alter this warranty or make any other warranty on behalf of the RIDGE TOOL COMPANY.

Stock No. WD1950

Model No. WD19500

Serial Number _____

Model and serial numbers may be found on the handle. You should record both model and serial numbers in a safe place for future use.

**QUESTIONS OR COMMENTS? CALL
1-800-4-RIDGID (1-800-474-3443)**

www.ridgidvac.com

Please have your Model Number and Serial Number on hand when calling.



EMERSON™
Professional Tools

Emerson Tool Company
A Division Of
Emerson Electric Co.

© 2007 Emerson

Part No. SP6567

Form No. SP6567-1

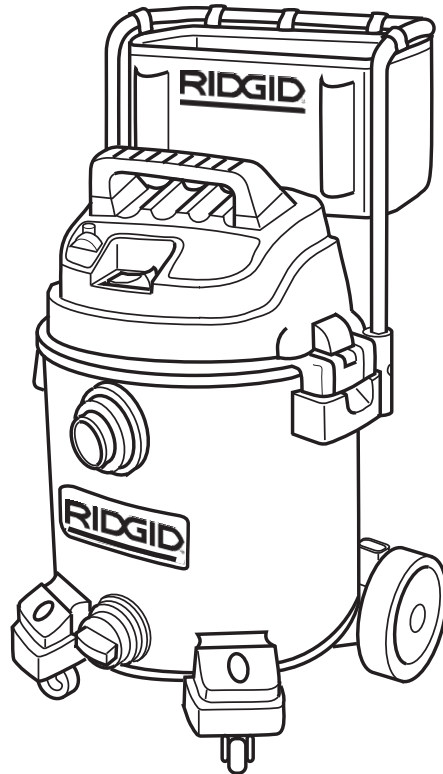
Printed in Mexico 08/07



MANUAL DEL OPERADOR

ASPIRADORA PARA MOJADO/SECO PROFESIONAL DE 16 GALONES EE.UU./ 60 LITROS

WD1950



SI TIENE PREGUNTAS O DESEA INFORMACIÓN, CONTÁCTENOS LLAMANDO AL
1-800-4-RIDGID (1-800-474-3443) O
CONECTÁNDOSE A www.ridgidvac.com

▲ ADVERTENCIA: Para reducir el riesgo de lesiones, el usuario debe leer y entender el manual del operador antes de utilizar este producto.

Gracias por comprar un producto RIDGID.

GUARDE ESTE MANUAL PARA REFERENCIA FUTURA

Índice

Sección	Página	Sección	Página
Instrucciones de seguridad importantes	24	Sensor de rendimiento del filtro	33
Introducción	26	Vaciado del tambor	33
Desempaquetado y comprobación del contenido de la caja de cartón	26	Traslado de la aspiradora para mojado/seco	34
Remoción e instalación del asa metálica	28	Dispositivo de soplado	34
Instalación del asa	28	Accesorios y almacenamiento	34
Bajada del asa para almacenar la aspiradora	28	Enrollado del cordón	35
Remoción del asa	28	Mantenimiento	35
Instalación del portaherramientas	28	Filtro	35
Ensamblaje de un filtro de reemplazo	29	Limpieza y desinfección de la aspiradora para mojado/seco	36
Ensamblaje del tambor/base de soporte	30	Almacenamiento	36
Ensamblaje de la aspiradora para mojado/seco	31	Ruedecillas y ruedas	36
Introduzca la manguera	31	Armazón y mangos	36
Funcionamiento	32	Boquilla para mojado	36
Recogida de materiales secos con la aspiradora	32	Reemplazo del filtro	38
Recogida de líquidos con la aspiradora	33	Piezas de repuesto	40
		Garantía	44

INSTRUCCIONES DE SEGURIDAD IMPORTANTES

La seguridad es una combinación de sentido común, permanecer alerta y saber cómo funciona la aspiradora para mojado/seco (“la aspiradora”).

Palabras de señal de seguridad

▲ PELIGRO: indica una situación inminentemente peligrosa que, si no se evita, **causará** la muerte o lesiones graves

▲ ADVERTENCIA: indica una situación potencialmente peligrosa que, si no se evita, **podría** causar la muerte o lesiones graves

▲ PRECAUCIÓN: indica una situación potencialmente peligrosa que, si no se evita, **podría** causar lesiones leves o moderadas.

Cuando utilice la aspiradora siga siempre las precauciones básicas de seguridad, incluyendo las siguientes.

▲ ADVERTENCIA – Para reducir el riesgo de incendio, sacudidas eléctricas o lesiones:

- Lea y entienda este manual del usuario y todas las etiquetas que están colocadas en la aspiradora para mojado/seco antes de utilizarla.
- Utilice la aspiradora únicamente de la manera que se describe en este manual.
- No deje la aspiradora en marcha mientras esté desatendida.
- Las chispas que se producen en el interior del motor pueden incendiar los vapores inflamables o el polvo. Para reducir el riesgo de incendio o explosión: No recoja con la aspiradora líquidos o gases inflamables o combustibles, o polvos explosivos como gasolina u otros combustibles, líquido encendedor, limpiadores, pinturas a base de aceite, gas natural, hidrógeno, polvo de carbón, polvo de magnesio, polvo de aluminio, polvo de granos de cereal o pólvora, ni use la aspiradora

cerca de estos materiales.

- No recoja con la aspiradora nada que esté ardiendo o humeando, como cigarrillos, fósforos o cenizas calientes.
- No recoja con la aspiradora polvo de panel de yeso ni hollín frío o ceniza fría de chimenea con un filtro estándar. Este material es un polvo muy fino que puede ser expulsado de vuelta al aire. Utilice un filtro para polvo fino en lugar de un filtro estándar.
- Para reducir el riesgo de que se produzcan peligros para la salud causados por vapores o polvo, no recoja con la aspiradora materiales tóxicos.
- No use ni almacene la aspiradora cerca de materiales peligrosos.
- Para reducir el riesgo de descargas eléctricas, no exponga la aspiradora a la lluvia ni deje que entren líquidos en el compartimiento del motor. Guarde la aspiradora en un lugar interior.
- No permita que la aspiradora se utilice como un juguete. Se necesita prestar máxima atención cuando sea utilizada por niños o cerca de éstos.
- No use esta aspiradora con un filtro desgarrado o si no tiene el filtro instalado, excepto cuando recoja líquidos de la manera que se describe en la sección “Funcionamiento” de este manual. Los residuos secos absorbidos por el impulsor podrían dañar el motor o ser expulsados de vuelta al aire.
- **ADVERTENCIA:** El cordón de energía de este producto contiene plomo, una sustancia química que según los conocimientos del estado de California causa defectos de nacimiento u otros daños a la reproducción. **Lávese las manos después de manejar el producto.**
- No abandone la aspiradora cuando esté enchufada. Desenchúfela del tomacorriente cuando no la esté utilizando y antes de realizar servicio de revisión.
- Apague la aspiradora antes de desenchufarla.
- Para reducir el riesgo de lesiones debidas a un arranque accidental, desenchufe el cordón de energía antes de cambiar o limpiar el filtro.

- No desenchufe la aspiradora tirando del cordón. Para desenchufarla, agarre el enchufe y no el cordón.
- No use la aspiradora con el cordón dañado, el enchufe dañado u otras piezas dañadas. Si la aspiradora no funciona como debe, le faltan piezas, se ha caído, ha sido dañada, se ha dejado a la intemperie o se ha caído al agua, devuélvala a un Centro de Servicio autorizado.
- No tire de la aspiradora usando el cordón ni la lleve por el cordón, ni use el cordón como asa, ni cierre una puerta sobre el cordón, ni tire del cordón alrededor de bordes o esquinas afilados. No pase la aspiradora en marcha sobre el cordón. Mantenga el cordón alejado de las superficies calientes.
- No maneje el enchufe, el interruptor o la aspiradora con las manos mojadas.
- No ponga ningún objeto en las aberturas de ventilación. No recoja nada con la aspiradora cuando cualquiera de las aberturas de ventilación esté bloqueada; mantenga dichas aberturas libres de polvo, pelusa, pelo o cualquier cosa que pueda reducir el flujo de aire.
- Mantenga el pelo, la ropa holgada, los dedos y todas las partes del cuerpo alejados de las aberturas y de las piezas móviles.
- Para reducir el riesgo de caídas, tenga cuidado adicional al limpiar en escaleras.
- Para reducir el riesgo de lesiones de espalda o caídas, no levante una aspiradora que pese mucho debido a que contiene líquido o residuos. Saque parte del contenido de la aspiradora o drénela parcialmente para hacer que sea lo suficientemente liviana como para poder levantarla cómodamente.
- Para reducir el riesgo de lesiones corporales o daños a la aspiradora, utilice únicamente accesorios recomendados por Ridgid.
- Cuando utilice la aspiradora como soplador:
 - Dirija la descarga de aire solamente hacia el área de trabajo.
 - No dirija el aire hacia las personas que estén presentes.
 - Mantenga alejados a los niños durante la operación de soplado.
 - No utilice el soplador para trabajos que no sean soplar suciedad y residuos.
 - No use la aspiradora como rociador.
 - Use protección ocular de seguridad.
- Para reducir el riesgo de lesiones en los ojos, use protección ocular de seguridad. La utilización de cualquier aspiradora utilitaria o soplador utilitario puede hacer que se soplen objetos extraños hacia los ojos, lo cual puede causar daños graves en los ojos.
- Esta aspiradora para mojado/seco tiene aislamiento doble, lo cual elimina la necesidad de un sistema independiente de conexión a tierra. Utilice únicamente piezas de repuesto idénticas. Lea las instrucciones de servicio de revisión de las aspiradoras para mojado/seco con aislamiento doble antes de realizar dicho servicio.

- Utilice únicamente cordones de extensión que tengan capacidad nominal para uso a la intemperie. Los cordones de extensión que estén en malas condiciones o cuyo tamaño de alambre sea demasiado pequeño pueden conllevar peligros de incendio y sacudidas eléctricas. Para reducir el riesgo de estos peligros cuando utilice un cordón de extensión, asegúrese de que el cordón esté en buenas condiciones y de que la conexión no entre en contacto con líquido. Para mantener la pérdida al mínimo, utilice la tabla que aparece a continuación para seleccionar el cordón de extensión con el tamaño de cable mínimo.

Longitud del cordón de extensión	Calibre del cable (A.W.G.)
0-50 pies	14
50-100 pies	12

▲ PRECAUCIÓN:

- Para reducir el riesgo de daños a la audición, use protectores de oídos cuando utilice la aspiradora durante muchas horas seguidas o cuando la emplee en un área ruidosa.
- Para operaciones que generan polvo, use una máscara antipolvo.

NOTA: Las descargas de estática son comunes en áreas secas o cuando la humedad relativa del aire es baja. Si recoge residuos finos con la aspiradora, se puede depositar carga estática en la manguera o en la aspiradora. El mejor remedio para reducir la frecuencia de las descargas de estática en su casa o cuando use esta aspiradora es añadir humedad al aire con un humidificador.

Siga las siguientes advertencias que aparecen en la caja del motor de la aspiradora.

□ AISLAMIENTO DOBLE. NO SE REQUIERE CONEXION A TIERRA.
CUANDO HAGA SERVICIO DE REVISIÓN DE LA ASPIRADORA, UTILICE ÚNICAMENTE PIEZAS DE REPUESTO IDÉNTICAS.

▲ ADVERTENCIA: Para su propia seguridad, lea y entienda el manual del operador. No tenga en marcha la aspiradora desatendida. No recoja cenizas calientes, carbón caliente, materiales tóxicos ni inflamables ni otros materiales peligrosos. No use la aspiradora alrededor de líquidos o vapores explosivos

ADVERTENCIA: Para reducir el riesgo de sacudidas eléctricas, no exponga la aspiradora a la lluvia y guárdela en interiores.

GUARDE ESTE MANUAL

Introducción

Esta aspiradora para mojado/seco profesional está diseñada para uso doméstico. Se puede utilizar para recoger materiales mojados o secos y se puede usar como soplador.

Lea este manual del operador para familiarizarse con las características del producto y para entender la utilización específica de su nueva aspiradora.

Desempaquetado y comprobación del contenido de la caja de cartón

Herramientas necesarias



Destornillador Phillips largo



Martillo



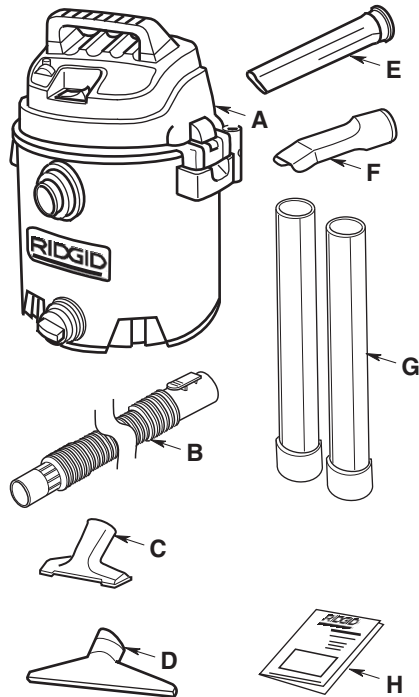
Mazo

Consulte el dibujo de ensamblaje para averiguar el posicionamiento de las piezas.

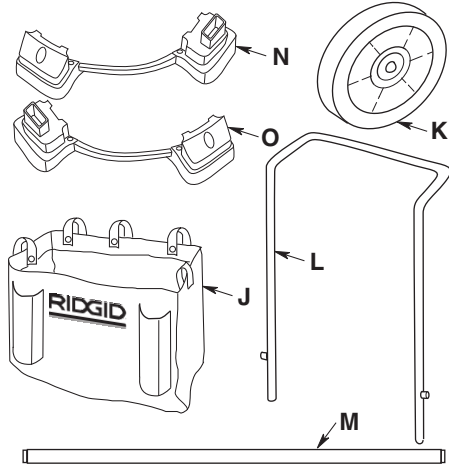
Saque todo el contenido de la caja de cartón. Asegúrese de que no falte ningún artículo utilizando la lista del contenido de la caja. Llame al 1-800-4-RIDGID (1-800-474-3443) o comuníquese con nosotros por correo electrónico a info@ridgidvac.com si alguna pieza está dañada o falta.

Lista del contenido de la caja de cartón

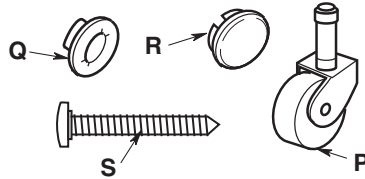
Clave	Descripción	Cant.
A	Ensamblaje de la aspiradora para mojado/seco	1
B	Manguera arrastrable	1
C	Boquilla de uso general	1
D	Boquilla para mojado	1
E	Boquilla rinconera	1
F	Boquilla para auto	1
G	Tubos de extensión	2
H	Manual del usuario	1



Clave	Descripción	Cant.
Caja de cartón que contiene las piezas siguientes:		
J	Bolsa de almacenamiento	1
K	Rueda de 8 pulgadas.....	2
L	Mango metálico.....	1
M	Eje	1
N	Base de soporte derecha	1
O	Base de soporte izquierda	1



Clave	Descripción	Cant.
Bolsa de piezas sueltas que contiene lo siguiente:		
P	Ruedecilla de 2 pulgadas	2
Q	Tuerca de tapa de 1/2 pulgada	2
R	Tapas de rueda	2
S	Tornillo de tipo AB No. 10 x 3/4	8



Remoción e instalación del asa metálica

El asa metálica viene empacada en la caja de cartón en sentido inverso. Usted debe tirar del asa metálica hasta sacarla completamente de la aspiradora y reinstalarla en el sentido correcto, de modo que el área curvada quede orientada alejándose de la parte trasera de la aspiradora, antes de continuar.

Instalación del asa

Oprima y mantenga oprimidos los botones de liberación mientras instala el asa en los receptáculos para el asa ubicados en el tambor (vea la ilustración).

NOTA: Un chasquido audible de los botones de liberación indica un acoplamiento exitoso del asa.

Bajada del asa para almacenar la aspiradora

Para almacenar la aspiradora para mojado/seco, oprima y mantenga oprimidos los botones de liberación mientras desliza firmemente el asa hacia abajo.

Remoción del asa

Oprima y mantenga oprimidos los botones de liberación, de la manera que se muestra en la ilustración. Mientras oprime firmemente los botones de liberación, tire del asa hacia arriba hasta quitarla (vea la ilustración).

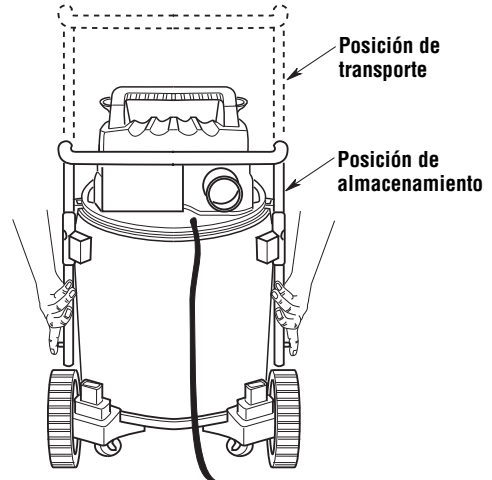
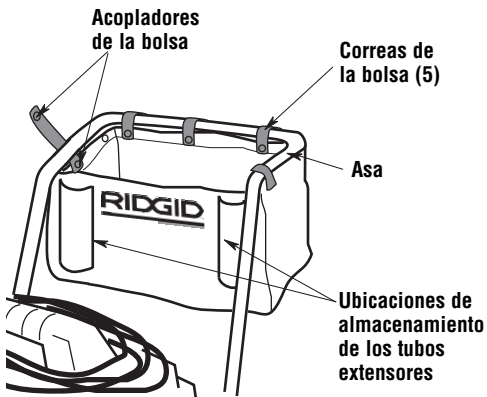
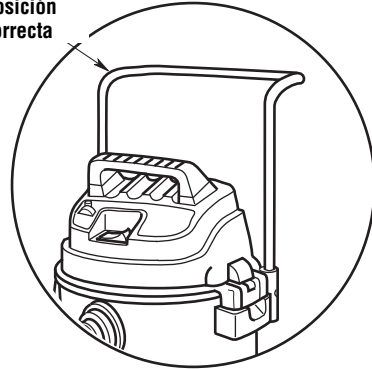
Instalación del portaherramientas

Instale el portaherramientas de la manera que se muestra en la ilustración, con los portatubos extensores orientados hacia la unidad.

Asa metálica en posición invertida (tal como se envía)



Posición correcta



Ensamblaje de un filtro de reemplazo

1. Deslice cuidadosamente el filtro sobre la jaula del filtro, deslizándolo sobre el anillo central que cubre las 3 ranuras hasta que el filtro se detenga contra la tapa.
2. Coloque la tuerca del filtro en el espárrago roscado y apriétela hacia abajo. Apriétela solamente con los dedos.

NOTA: La palanca de la tuerca del filtro debe estar alejada de la placa, de la manera que se muestra en la ilustración.

IMPORTANTE: No apriete excesivamente la tuerca, ya que esto puede deformar o agrietar la jaula del filtro o el filtro.

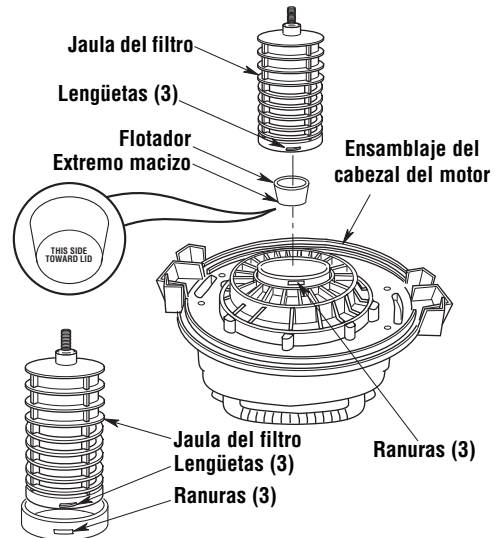
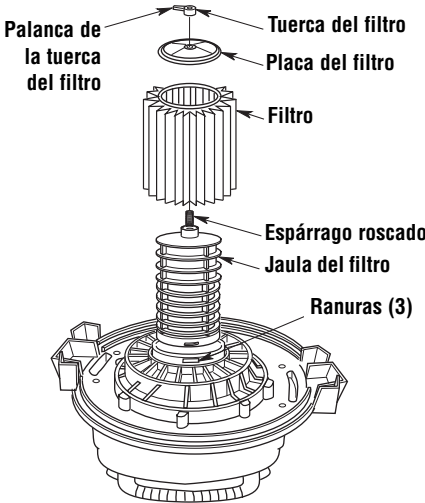
NOTA: En caso de que sea necesario quitar la jaula del filtro debido a que el flotador esté colocado de manera incorrecta, utilice un destornillador de hoja plana e introduzca la hoja cerca de una de las lengüetas entre la jaula del filtro y el anillo central de la tapa. Haga palanca hacia afuera en la lengüeta hasta sacarla de la ranura. Incline la jaula y levántela para separarla de la tapa. Para colocar de nuevo la jaula, siga las instrucciones de ensamble que aparecen más adelante.

⚠ ADVERTENCIA: Para su propia seguridad, nunca conecte el enchufe al tomacorriente de la fuente de energía hasta que haya completado todos los pasos de ensamble y haya leído y entendido las instrucciones de seguridad y utilización. No utilice la aspiradora si alguna de sus piezas está dañada o falta.

3. Coloque el flotador sobre la abertura ubicada en el centro de la tapa con las palabras "This Side Towards Lid" (Este lado hacia la tapa) orientadas hacia abajo sobre el agujero (vea la ilustración).

⚠ ADVERTENCIA: Para reducir el riesgo de lesiones personales o daños a la aspiradora, asegúrese de mantener las manos, los dedos o cualquier otro objeto extraño fuera de la abertura central cuando ensamble el flotador.

4. Alinee las lengüetas de la jaula del filtro con las ranuras del anillo central de la tapa.
5. Empuje sobre la jaula del filtro hasta que las lengüetas se acoplen a presión en las ranuras para lograr un encaje seguro.



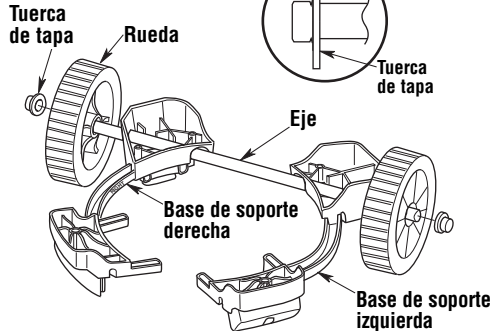
Ensamblaje del tambor/base de soporte

Si cualquiera de las piezas falta o está dañada, póngase en contacto con Servicio al Cliente.

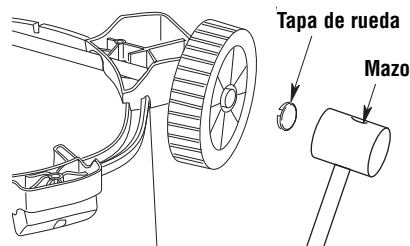
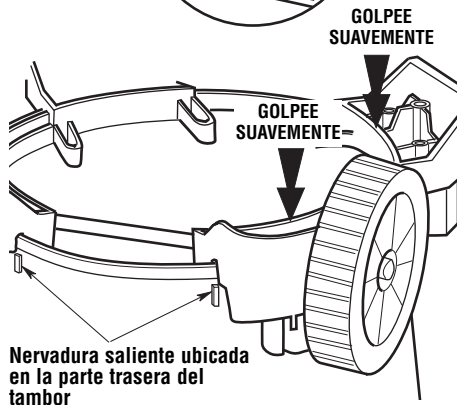
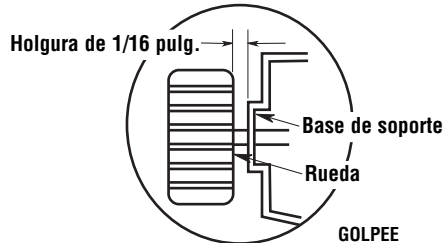
No realice el ensamblaje hasta que tenga todas las piezas.

1. Invierta el tambor para instalar las bases de soporte. Instale una tuerca de tapa en un lado de la varilla del eje. Golpee la tuerca suavemente con un mazo de goma o un martillo hasta que esté completamente asentada. Deslice el extremo abierto del eje a través de la rueda (con el lado liso de la rueda orientado hacia afuera).
2. Coloque el ensamblaje de la rueda y el eje a través de la base de soporte izquierda y luego a través de la base de soporte derecha, de la manera que se muestra en la ilustración.
3. Luego, coloque la rueda restante en el ensamblaje de las bases de soporte (con el lado liso de la rueda orientado hacia afuera) e instale la segunda tuerca de tapa.
4. Coloque el ensamblaje de las bases de soporte sobre el reborde del tambor. Alinee los bordes interiores de las bases de soporte tanto izquierda como derecha con las nervaduras exteriores salientes ubicadas en la parte trasera del tambor. Asegúrese de que las ruedas giren libremente y no entren en contacto con las bases de soporte. Si las ruedas tocan las bases de soporte, mueva dichas bases ligeramente hacia adentro.
5. Una vez que las bases de soporte estén alineadas con las nervaduras salientes ubicadas en la parte trasera del tambor, golpee suavemente la parte trasera de cada base de soporte hasta que esté firmemente asentada. Se recomienda golpear suavemente la porción central de la parte trasera de cada base de soporte. Después de que las porciones traseras de las bases de soporte estén ubicadas firmemente en su sitio, proceda a golpear suavemente en su sitio la porción delantera de cada base de soporte hasta que esté completamente asentada. Se recomienda golpear suavemente la porción delantera de cada base de soporte, de la manera que se muestra en la ilustración.
6. Utilizando un mazo de goma o un martillo, golpee suavemente las tapas de rueda, una en cada rueda, hasta que dichas tapas estén firmemente asentadas en cada rueda. Se requiere hacer esto tanto en los lados izquierdo como derecho.

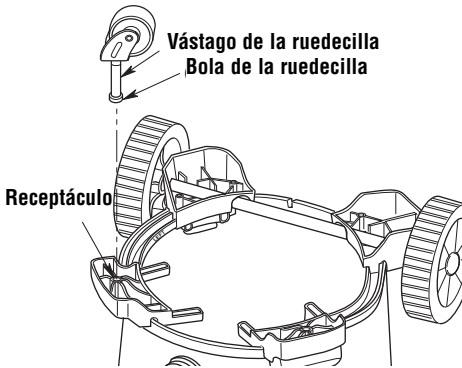
NOTA: Lado liso de la rueda hacia el exterior.



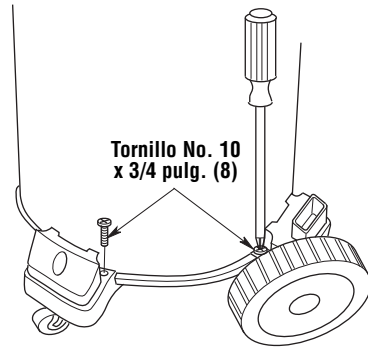
ENSAMBLAJE DE LAS BASES DE SOPORTE



7. Introduzca el vástago de la ruedecilla en el receptáculo del pie de ruedecilla, de la manera que se muestra en la ilustración (ruedecilla delantera solamente).
8. Empuje sobre la ruedecilla hasta que la bola del vástago de la ruedecilla esté introducida completamente en el receptáculo. Usted podrá oír como la bola se acopla a presión en el receptáculo y la ruedecilla girará fácilmente cuando el posicionamiento sea correcto.

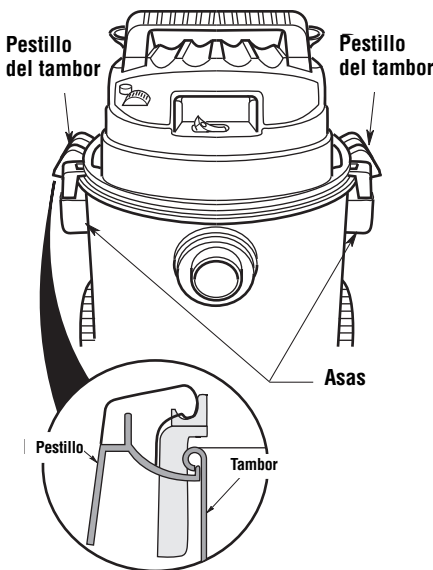


9. Voltee el ensamblaje del tambor/base de soporte hasta la posición vertical. Utilizando un destornillador Phillips largo, instale (8) tornillos No. 10 x 3/4 pulgadas en los agujeros correspondientes ubicados tanto en el lado derecho como en el lado izquierdo de la base de soporte. Apriete los tornillos sólo hasta que queden perfectamente ajustados. No los apriete excesivamente en este momento, ya que esto podría tender a deformar las bases de soporte.



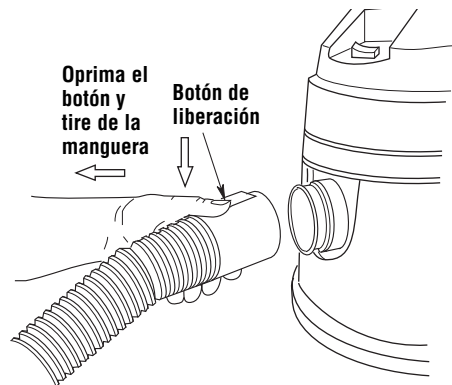
Ensamblaje de la aspiradora para mojado/seco

1. Posicione el ensamblaje del cabezal del motor sobre el ensamblaje del tambor/base de soporte, de la manera que se muestra en la ilustración (ensamblado antes).
2. Gire ambos pestillos hacia abajo y presione hasta que los oiga acoplarse a presión sobre las pestañas del tambor.



Introduzca la manguera

Introduzca el extremo con botón pulsador de la manguera "arrastrable" en la entrada de la aspiradora. La manguera debe acoplarse a presión en su sitio. Para quitar la manguera de la aspiradora, oprima el botón de liberación que está en el ensamblaje de la manguera y tire de la manguera hasta sacarla de la entrada de la aspiradora, de la manera que se muestra en la ilustración.



Funcionamiento

▲ ADVERTENCIA

Para reducir el riesgo de incendios o explosión, no haga funcionar esta aspiradora en áreas en las que haya gases inflamables, o vapores inflamables o polvo explosivo en el aire. Entre los gases y vapores inflamables se incluye, pero sin limitarse a ellos, líquidos de encendedor, limpiadores a base de disolventes, pinturas a base de aceite, gasolina, alcohol o rociadores aerosoles. Entre los polvos explosivos se incluye, pero sin limitarse a ellos, el carbón, magnesio, aluminio, polvo de granos o pólvora. No recoja con la aspiradora polvo explosivo, líquidos inflamables o combustibles, ni cenizas calientes. No use esta aspiradora como rociador. A fin de reducir los peligros para la salud debidos a vapores o polvos, no recoja con la aspiradora materiales tóxicos.

▲ **ADVERTENCIA:** El funcionamiento de cualquier aspiradora de uso general puede tener como resultado que salgan proyectados hacia los ojos objetos extraños, lo cual puede producir daños graves en los ojos. Use siempre protectores oculares de seguridad que cumplan con la norma ANSI Z87.1 (o en Canadá, con la norma CSA Z94.3) antes de comenzar la operación. Los protectores oculares de seguridad se pueden obtener en muchas tiendas minoristas locales.

▲ **PRECAUCIÓN:** Para reducir el riesgo de daños a la audición, use protectores de oídos al utilizar la aspiradora o durante muchas horas seguidas o al emplearla en un área ruidosa.

Para reducir el riesgo de sacudidas eléctricas, este aparato electrodoméstico tiene un enchufe polarizado (una hoja es más ancha que la otra). Este enchufe entrará en un tomacorriente polarizado solamente de una manera. Si el enchufe no entra por completo en el tomacorriente, déle la vuelta. Si sigue sin entrar, póngase en contacto con un electricista competente para instalar el tomacorriente adecuado. No haga ningún tipo de cambio en el enchufe.

Después de enchufar el cordón de energía en el tomacorriente, encienda la unidad empujando el interruptor de la posición "O" a la posición "I". Los símbolos utilizados en el accionador del interruptor son los símbolos internacionales de "encendido y apagado". "O" es el símbolo de "APAGADO" y "I" es el símbolo de "ENCENDIDO".

○ = APAGADO | = ENCENDIDO

Familiarícese con los accesorios que se incluyen con la aspiradora. Cada accesorio puede usarse de diversas maneras para aspirar y soplar residuos. A continuación hay una lista de los accesorios y de sus usos.

Boquilla de uso general: Boquilla que se usa en la mayoría de las aplicaciones de aspiración.

Boquilla para mojado: Se utiliza para recoger materiales mojados en superficies lisas con el fin de recoger líquidos y secar la superficie en una sola pasada.

Boquilla para auto: Boquilla para recoger materiales secos en interiores de auto y en la mayoría de limpiezas de tapicería.

Tubos extensores: Estos tubos pueden conectarse entre sí y proporcionan longitud adicional para tener más alcance.

Manguera: Proporciona transferencia de capacidad de aspiración o soplado al lugar de trabajo. Proporciona los medios para acoplar los tubos extensores y las boquillas.

Boquilla rinconera: Se utiliza para recoger residuos en lugares difíciles de alcanzar.

▲ **ADVERTENCIA:** Para reducir el riesgo de incendio o sacudidas eléctricas, no deje desatendida la aspiradora mientras esté en marcha.

Recogida de materiales secos con la aspiradora

1. El filtro debe estar siempre en la posición correcta para reducir el riesgo de fugas y posibles daños a la aspiradora.
2. La aspiradora para mojado/seco viene con el filtro VF5000 instalado. Al utilizar la aspiradora para recoger polvo muy fino, será necesario que usted vacíe el tambor y limpie el filtro a intervalos más frecuentes para mantener un rendimiento óptimo.

NOTA: Se necesita un filtro seco para recoger material seco. Si utiliza la aspiradora para recoger polvo cuando el filtro está mojado, éste se atascará rápidamente y será muy difícil limpiarlo.

3. Si el filtro está mojado pero necesita usar la aspiradora para recoger material seco, puede secar el filtro rápidamente haciendo funcionar la aspiradora sin tener la manguera colocada durante unos 10 minutos. El aire limpio que penetrará rápidamente en la aspiradora ayudará a secar el filtro.

Recogida de líquidos con la aspiradora

1. Al recoger pequeñas cantidades de líquido se podrá dejar puesto el filtro.
2. Al recoger grandes cantidades de líquido recomendamos quitar el filtro. Si no se quita el filtro, éste se saturará y podrá aparecer niebla en el escape.
3. Cuando el líquido que se encuentre en el tambor alcance un nivel predeterminado, el mecanismo del flotador subirá automáticamente para cortar el flujo de aire. Cuando esto suceda, apague la aspiradora, desenchufe el cordón de energía y vacíe el tambor. Sabrá que el flotador ha subido porque el flujo de aire de la aspiradora cesará y subirá el tono del ruido del motor debido a que se producirá un aumento de la velocidad del mismo.
4. Después de usar la aspiradora para recoger líquidos, se debe secar el filtro para reducir el riesgo de posible moho y daños al filtro.

IMPORTANTE: Para reducir el riesgo de daños a la aspiradora, no tenga en marcha el motor con el flotador en la posición elevada.

Sensor de rendimiento del filtro

1. Esta aspiradora para mojado/seco cuenta con un innovador dispositivo para determinar cuándo es necesario limpiar el filtro. Este diseño con patente pendiente funciona tanto si la aspiradora para mojado/seco está encendida como si está apagada.
2. Unas barras de color muestran el nivel de limpieza del filtro. Si todas las barras visibles son verdes, esto indica que el filtro está limpio y listo para utilizarse.
3. A medida que el filtro se ensucie, aparecerán barras anaranjadas y desaparecerán las barras verdes.
4. Si todas las barras visibles son anaranjadas, esto indica que el filtro está sucio y es necesario limpiarlo o reemplazarlo.
5. La aspiradora para mojado/seco funciona a la máxima eficacia y potencia con un filtro limpio. Cuando el sensor de rendimiento del filtro muestra sólo todas las barras anaranjadas, el rendimiento de la aspiradora para mojado/seco

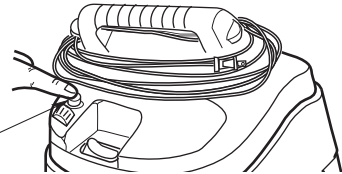
es aproximadamente de un 40 a un 55 % de su potencia original con un filtro limpio. En cualquier momento durante el aumento del número de barras anaranjadas se puede elegir limpiar el filtro.

6. Para ajustar las barras indicadoras de vuelta a la posición original completamente verde, oprima el botón de restablecimiento del sensor.

NOTA: No oprima el botón de restablecimiento del sensor mientras la aspiradora para mojado/ seco esté en marcha. Esto podría dañar el sensor de rendimiento del filtro.

7. Oprima el botón de restablecimiento del sensor hasta que se vean todas las barras verdes. Debe hacer esto siempre que limpie o reemplace el filtro. Qué tan limpio quede el filtro determinará cuántas barras anaranjadas se verán. Un filtro nuevo mostrará sólo todas las barras verdes.

Botón de restablecimiento del sensor del filtro



Vaciado del tambor

⚠ ADVERTENCIA: Para reducir el riesgo de lesiones debidas a un arranque accidental, desenchufe el cordón de energía antes de vaciar el tambor.

1. La aspiradora viene equipada con un drenaje para vaciarla fácilmente de líquidos. Simplemente desenrosque la tapa del drenaje y levante ligeramente el lado opuesto para vaciar el tambor.
2. Otra opción es quitar el ensamblaje del cabezal del motor.
3. Ponga a un lado el ensamblaje del cabezal del motor en un área limpia mientras vacía el tambor.
4. Vierta el contenido del tambor en el recipiente de eliminación de residuos apropiado.

⚠ ADVERTENCIA: Para reducir el riesgo de que se produzcan lesiones en la espalda o caídas, no levante la aspiradora si pesa demasiado debido a que contiene líquido o residuos. Saque o haga salir una cantidad suficiente del contenido para hacer que la aspiradora sea suficientemente liviana como para poder levantarla cómodamente.

Funcionamiento (continuación)

Traslado de la aspiradora para mojado/seco

En caso de que sea necesario levantar la aspiradora para trasladarla, las asas ubicadas en los lados del tambor para polvo se usan para levantar la aspiradora. Para maniobrar la aspiradora, se debe usar el asa metálica ubicada en la parte trasera de la unidad.

Dispositivo de soplado

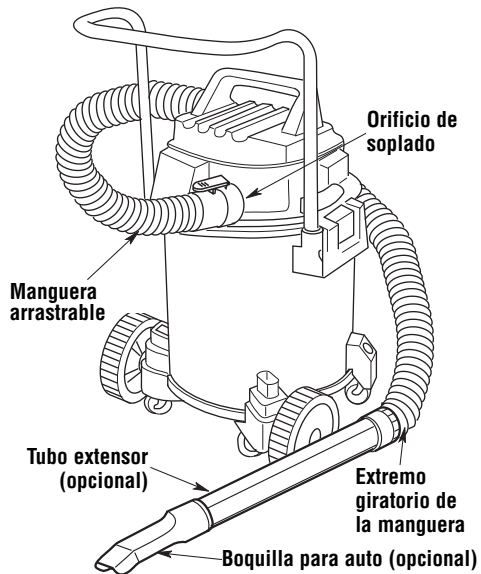
La aspiradora cuenta con un orificio de soplado. Puede soplar aserrín y otros residuos. Siga los pasos que se indican a continuación para usar la aspiradora como soplador.

⚠ ADVERTENCIA: Use siempre protectores oculares de seguridad que cumplan con la norma ANSI Z87.1 (o en Canadá, con la norma CSA Z94.3) antes de utilizar la aspiradora como soplador.

⚠ ADVERTENCIA: Para reducir el riesgo de lesiones a las personas que estén presentes, manténgalas alejadas de los residuos soplados.

⚠ ADVERTENCIA: Use una máscara antipolvo si el soplado genera polvo que podría ser inhalado.

⚠ PRECAUCIÓN: Para reducir el riesgo de daños a la audición, use protectores de oídos cuando utilice la aspiradora/soplador durante muchas horas seguidas o cuando la utilice en un área ruidosa.



1. Localice el orificio de soplado de la aspiradora.
2. Introduzca el extremo de fijación de la manguera arrastrable con la aspiradora en el orificio de soplado de la aspiradora. La manguera debe acoplarse a presión en su sitio. Para quitar la manguera de la aspiradora, oprima el botón de liberación ubicado en el ensamblaje de la manguera y tire de la manguera hasta sacarla de la entrada de la aspiradora.
3. (Opcional) Acople un tubo extensor en el extremo opuesto de la manguera y luego coloque la boquilla para auto en el tubo.
4. Encienda la aspiradora y estará lista para utilizarse como soplador.

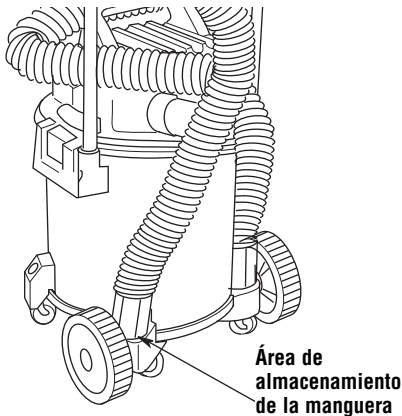
Accesorios y almacenamiento

Los accesorios se pueden almacenar en la bolsa desmontable o en las dos ubicaciones que están en la base de soporte derecha/izquierda. La manguera se puede almacenar enrollándola alrededor de la unidad y colocando cada uno de sus extremos en las dos áreas marcadas con las palabras "Hose Storage" (Almacenamiento de la manguera).

NOTA: Introduzca el extremo macho del tubo extensor en el manguito del portador de la manera que se muestra en la ilustración.

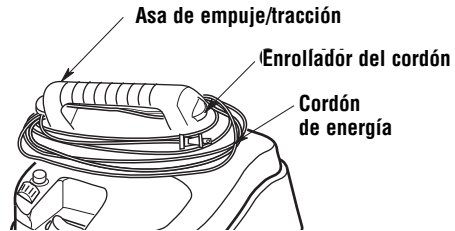


La manguera se puede almacenar enrollándola alrededor de la unidad e introduciendo el extremo libre en una de las ubicaciones de almacenamiento que están en el ensamblaje de las bases de soporte.



Enrollado del cordón

Cuando se haya completado la limpieza con la aspiradora, desenchufe el cordón de energía y enróllelo alrededor del ensamblaje del cabezal del motor, de la manera que se muestra en la ilustración. El cordón se debe enrollar debajo del asa de tracción (por encima de la entrada) y alrededor y debajo del enrollador del cordón ubicado en la cubierta del motor.



Mantenimiento

Filtro

⚠ ADVERTENCIA: Para reducir el riesgo de lesiones debidas a un arranque accidental, desenchufe el cordón de energía antes de cambiar o limpiar el filtro.

NOTA: Este filtro está hecho de papel de alta calidad diseñado para detener partículas de polvo muy pequeñas. El filtro se puede usar para recoger material seco o pequeñas cantidades de líquido. Maneje el filtro cuidadosamente al quitarlo para limpiarlo o al instalarlo. Es posible que se produzcan arrugas en los pliegues del filtro, pero dichas arrugas no afectarán el funcionamiento del filtro.

Limpieza del filtro

El filtro se debe limpiar a menudo para mantener un rendimiento óptimo de la aspiradora.

Asegúrese de secar el filtro antes de guardar la aspiradora o de recoger residuos secos.

IMPORTANTE: Después de limpiar el filtro, compruebe si éste tiene desgarraduras o agujeros pequeños. No use un filtro que tenga agujeros o desgarraduras. Incluso un agujero pequeño puede hacer que salga mucho polvo de la aspiradora. Cámbielo inmediatamente.

Remoción del filtro

Para quitar el filtro con el fin de limpiarlo o reemplazarlo, desenrosque la tuerca del filtro de la jaula del filtro y levante el filtro y la placa del filtro.

⚠ ADVERTENCIA: No utilice la aspiradora si se le han quitado la jaula del filtro y el flotador. El flotador evita que entre agua en el impulsor y dañe el motor. La jaula impide que los dedos toquen el impulsor cuando éste está en movimiento.

IMPORTANTE: Para evitar daños a la rueda del soplador y al motor, vuelva a instalar siempre el filtro antes de usar la aspiradora para recoger material seco.

Limpieza de un filtro seco

1. Se pueden quitar algunos residuos secos sin quitar el filtro de la aspiradora. Dé una palmada en la parte de arriba de la tapa mientras la aspiradora está apagada.
2. Para lograr una limpieza óptima con el fin de eliminar el polvo acumulado en el filtro, limpie el filtro en un área abierta. La limpieza del filtro DEBE realizarse al aire libre y no en el interior de una vivienda.
3. Después de quitar el filtro de la aspiradora, saque los residuos secos golpeando suavemente el filtro contra la pared interior del tambor para polvo. Los residuos se soltarán y caerán.
4. Para limpieza a fondo del filtro seco con polvo fino (sin residuos), haga pasar agua a través del filtro tal como se describe bajo "Limpieza de un filtro mojado".

Mantenimiento (continuación)

Limpeza de un filtro mojado

Después de quitar el filtro, haga pasar agua a través de él usando una manguera o desde una espita. Tenga cuidado de que la presión del agua procedente de la manguera no sea tan fuerte como para dañar el filtro.

Instalación

Consulte la sección "Ensamblaje de un filtro de reemplazo" que está en la página 29 de este manual.

Deje que el filtro se seque antes de volver a instalarlo y de guardar la aspiradora.

Limpeza y desinfección de la aspiradora para mojado/seco

Para mantener el mejor aspecto posible de la aspiradora para mojado/seco, limpie su exterior con un paño humedecido con agua templada y un jabón suave.

Para limpiar el tambor:

1. Vacíe de residuos el tambor.
2. Lave a fondo el tambor con agua templada y un jabón suave.
3. Limpie el tambor con un paño seco.

Antes de un almacenamiento prolongado o según sea necesario (por ejemplo, si se recogen aguas residuales), se debe desinfectar el tambor.

Para desinfectar el tambor:

1. Eche 1 galón de agua y 1 cucharadita de blanqueador de cloro en el tambor.
2. Deje que la solución repose durante 20 minutos y agítela cuidadosamente cada pocos minutos, asegurándose de mojar todas las superficies interiores del tambor.
3. Vacíe el tambor después de 20 minutos. Enjuáguelo con agua hasta que el olor a blanqueador desaparezca. Deje que el tambor se seque completamente antes de sellar el motor sobre el tambor.

Almacenamiento

Antes de almacenar la aspiradora, se debe vaciar y limpiar el tambor para polvo. El cordón se debe enrollar alrededor de la unidad y la manguera se debe almacenar de la manera descrita en este manual. Los accesorios se deben mantener en la misma área que la aspiradora para que estén al alcance de la mano cuando se necesiten. La aspiradora se debe almacenar en interiores.

Ruedecillas y ruedas

Si el carro rechina o es difícil de hacer rodar, debe poner dos o tres gotas de aceite de uso general en el eje de cada rueda. Si las ruedecillas hacen ruido, puede poner una gota de aceite en el eje del rodillo para que hagan menos ruido.

Armazón y mangos

El mango metálico está pintado para impedir la formación de herrumbre. Sin embargo, los líquidos y los residuos corrosivos deben limpiarse con un paño suave si entran en contacto con el mango.

▲ ADVERTENCIA: Para garantizar la SEGURIDAD y CONFIABILIDAD del producto, las reparaciones y los ajustes deben realizarlos Centros de Servicio autorizados, usando siempre piezas de repuesto RIDGID.

Boquilla para mojado

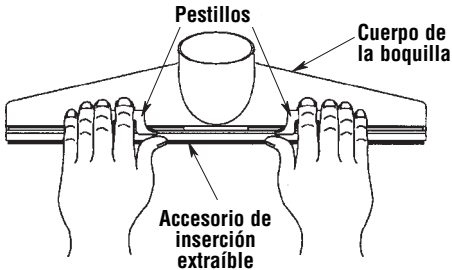
Para recoger líquidos de una superficie lisa, utilice la boquilla accesoria para mojado de 2-1/2 pulgadas suministrada con la aspiradora para mojado/seco. Para utilizar dicha boquilla, simplemente conéctela al extremo de un tubo extensor.

Conecte un segundo tubo extensor al primero y conecte la manguera de 2-1/2 pulg. x 7 pies al tubo extensor.

Los líquidos pueden recogerse arrastrando la boquilla por la superficie. La barredora de goma secará la superficie al usar la aspiradora.

Si la goma se desgasta, se le puede dar la vuelta para utilizarla en el lado contrario, o puede reemplazarse (pieza de repuesto No. 822256). Para invertir o reemplazar la barredora de goma:

1. Coloque la boquilla para mojado sobre una superficie plana con la abertura de entrada redonda orientada hacia arriba y los dos pestillos cerca de usted, tal como se muestra en la ilustración.



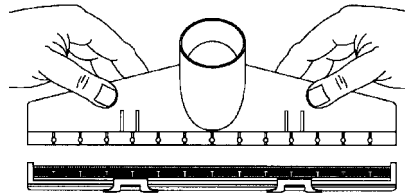
2. Utilizando las dos manos, sitúe los pulgares sobre el accesorio de inserción extraíble (debajo de los pestillos) y dos dedos de cada mano sobre cada pestillo, y levante y desacople los dos pestillos de las lengüetas del cuerpo de la boquilla.
3. Tire suavemente de los pestillos hacia usted para extraer el accesorio de inserción.

Para reinstalar correctamente el accesorio de inserción extraíble, siga estos pasos:

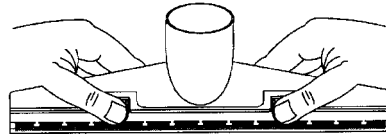
1. Coloque el accesorio de inserción extraíble sobre una superficie plana con los pasadores orientados hacia arriba y los pestillos cerca de usted, tal como se muestra en la ilustración. Coloque la barredora de goma sobre el accesorio de inserción con los pasadores acoplados a través de los agujeros correspondientes de la barredora de goma. (Asegúrese de que el nuevo borde de trabajo esté ubicado lo más alejado posible de usted.)



2. Utilizando las dos manos, baje el cuerpo de la boquilla sobre el accesorio de inserción y la barredora de goma con la abertura redonda de la boquilla lo más cerca posible de usted. Con los dedos situados en el lado alejado y los pulgares sujetando los pestillos del accesorio de inserción extraíble, dé la vuelta a la boquilla de manera que los pestillos queden en la parte de arriba y la abertura de entrada redonda quede orientada de manera que se aleje de usted. Asegúrese de que la barredora de goma permanezca sobre los pasadores del accesorio de inserción.

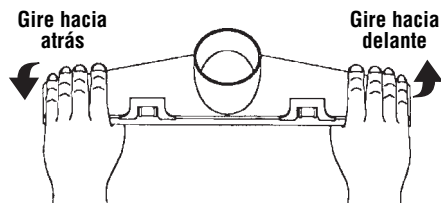


3. Ejerza presión hacia abajo con ambos pulgares debajo de las lengüetas de fijación hasta que vea y escuche cómo el accesorio de inserción extraíble se acopla a presión en el cuerpo de la boquilla. Acople a presión los pestillos sobre las lengüetas de fijación en su posición original.



4. Inspeccione los pasadores del accesorio de inserción para asegurarse de que están acoplados a través de los agujeros de la barredora de goma y de que están acoplados en las ranuras correspondientes del cuerpo de la boquilla.

NOTA: Si los pasadores están fuera de posición, sujete el ensamblaje de la boquilla con las dos manos y gírelo suavemente moviendo las manos en sentido contrario. Los pasadores del accesorio de inserción deben acoplarse a presión en la posición adecuada.



El ensamblaje de la boquilla para mojado está listo para usarse en la recogida de material mojado.

Reemplazo del filtro

¿Qué filtro de reemplazo es adecuado para sus necesidades?

			
<p>Escoger un filtro es tan fácil como decir 1, 2, 3...</p>	<p>Filtro estándar</p>	<p>Sistema de filtro con Microban® protección con producto antimicrobiano Combate e inhibe el crecimiento de moho, verdín y bacterias que pueden acortar la duración del filtro</p>	<p>Sistema de filtro con Microban® protección con producto antimicrobiano Combate e inhibe el crecimiento de moho, verdín y bacterias que pueden acortar la duración del filtro</p>
<p>Aplicaciones</p>	<p>VF4000</p>	<p>INSTALACIÓN → VF5000</p>	<p>INSTALACIÓN → VF6000</p>
<ul style="list-style-type: none"> • Aserrín 	<p>✓</p>	<p>✓</p>	<p>✓</p>
<ul style="list-style-type: none"> • Recogida de material mojado 	<p>✓</p>	<p>✓</p>	<p>✓</p>
<ul style="list-style-type: none"> • Suciedad típica de sótano, garaje o auto 	<p>✓</p>	<p>✓</p>	<p>✓</p>
<ul style="list-style-type: none"> • Polvo de pared de tipo seco 		<p>✓</p>	<p>✓</p>
<ul style="list-style-type: none"> • Cenizas frías* <ul style="list-style-type: none"> - Parrilla de barbacoa - Chimenea 		<p>✓</p>	<p>✓</p>
<p>* NO RECOJA CON LA ASPIRADORA NADA QUE ESTÉ ARDIENDO O HUMEANDO, COMO CIGARRILLOS, FÓSFOROS O CENIZAS CALIENTES.</p>			
<ul style="list-style-type: none"> • Protección antimicrobiana 		<p>Microban®</p>	<p>Microban®</p>
<ul style="list-style-type: none"> • Partículas finas en interiores <ul style="list-style-type: none"> - Caspa de animales domésticos - Filtro de horno - Pelusa de secadora - Tapicería 			<p>HEPA ATRAPA EL 99.97% DE LAS PARTÍCULAS HASTA UN TAMAÑO TAN PEQUEÑO COMO 0.3 MICRONES</p>
<ul style="list-style-type: none"> • Polvo de cemento 			<p>HEPA</p>
<ul style="list-style-type: none"> • Polen/Alergenos 			<p>HEPA</p>

MICROBAN es una marca registrada de Microban Products Company

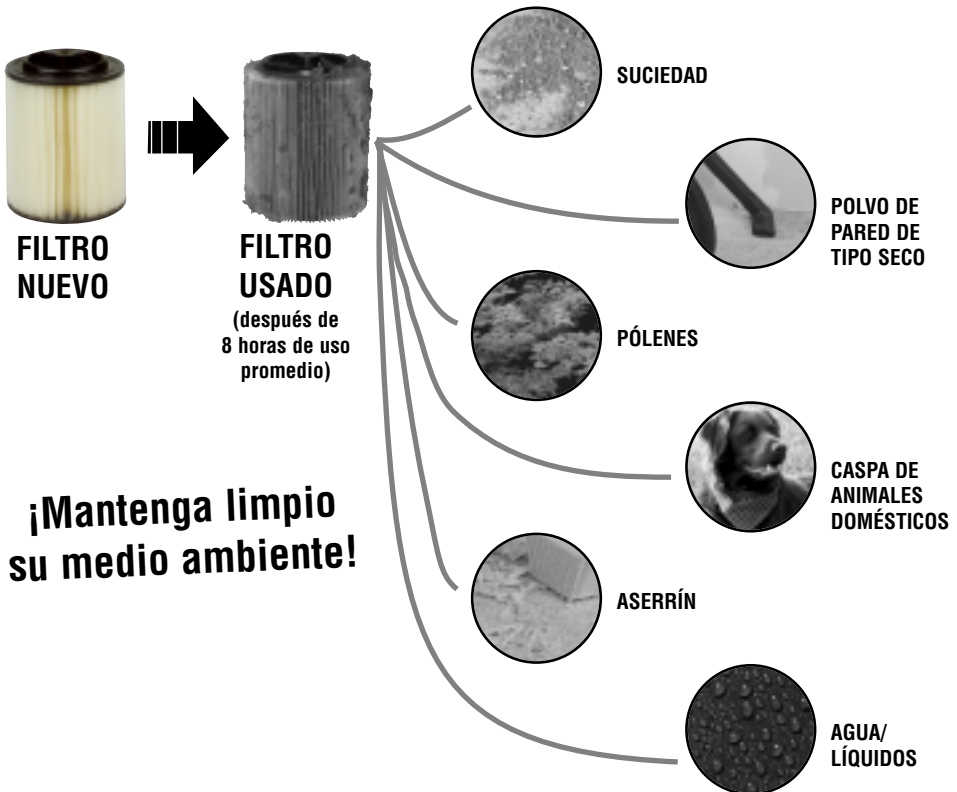
MAXIMICE EL RENDIMIENTO DE LA ASPIRADORA CON UN FILTRO NUEVO
La frecuencia típica de reemplazo es de 2 veces al año

MAXIMICE EL RENDIMIENTO DE LA ASPIRADORA CON UN FILTRO NUEVO La frecuencia típica de reemplazo es de 2 veces al año



Conéctese a www.ridgidvac.com para hacerse miembro de nuestro Club de Filtros y/o inscribirse en nuestro Sorteo de Tarjetas de Regalo de Home Depot por valor de US\$ 500.

(No es necesario hacerse miembro del Club de Filtros para ganar)



¡Mantenga limpio su medio ambiente!

Piezas de repuesto

Aspiradora para mojado/seco profesional de 16 galones Número de modelo WD19500

Las piezas RIDGID se encuentran disponibles en línea conectándose a www.ridgidparts.com

Pida siempre por número de pieza —no por número de clave


No. de clave	No. de pieza	Descripción
1	830564	Accionador del interruptor
2	813213	Interruptor de palanca
3	829971-29	Ensamblaje de la cubierta del motor
4	830473	Sensor de rendimiento del filtro
5	509776-16	Ensamblaje del motor (incluye las claves 12 a 15)
6	829718-8	Ensamblaje del cordón
7	819260-7	Ensamblaje de hilos conductores
8	830861	Ensamblaje de la tapa (incluye la clave 11)
9	830566-1	Conducto de escape del motor
10	820563-5	Tornillo de cabeza troncocónica tipo "AB" No. 10 x 1-1/4
11	830847	Pestillo de la tapa
12	818961	Separador
13	818413	Rueda del soplador
14	315534-1	Arandela
15	826817	Tuerca hexagonal con pestaña 5/16-18
16	829692-2	Ensamblaje del colector
17	820563-4	Tornillo de cabeza troncocónica serrada tipo "AB" No. 10 x 3/4
18	830578-1	Cubierta del tubo
19	820563-11	Tornillo de cabeza troncocónica en cruz tipo "AB" No. 10 x 1
20	830498-2	Tubo
21	823200A	Flotador
22	823201-1	Jaula del filtro
23	VF5000	† Filtro de 2 etapas
24	73317	Placa del filtro
25	73316	Tuerca del filtro
26	VT2509	† Boquilla utilitaria
27	VT2503	† Boquilla para auto
28	VT2510	† Boquilla para mojado (incluye la clave 30)
29	VT2502	† Boquilla rinconera
30	822256	Barredora de goma
31	826356-5	† Ensamblaje de manguera
32	VT2508	† Asa de extensión
33	SP6567	Manual del usuario

† Estas piezas de repuesto pueden estar disponibles en el establecimiento donde usted compró la aspiradora.

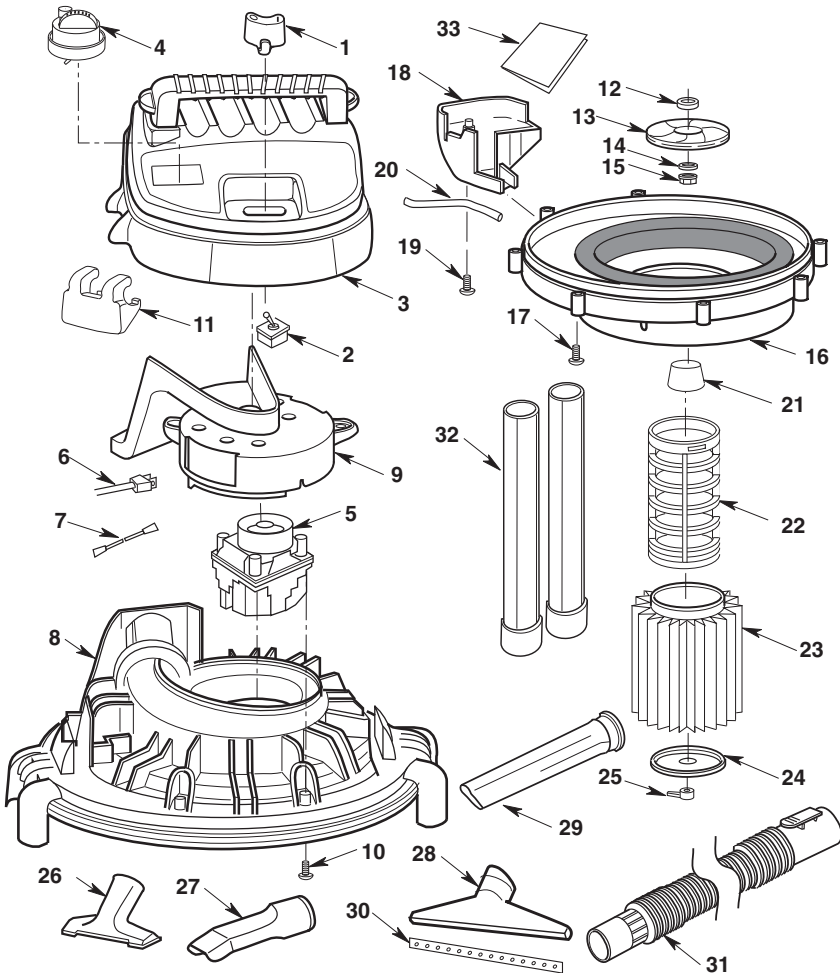
Las piezas RIDGID se encuentran disponibles en línea conectándose a www.ridgidparts.com

ADVERTENCIA

SERVICIO DE AJUSTES Y REPARACIONES DE UNA ASPIRADORA PARA MOJADO/SECO CON AISLAMIENTO DOBLE

En una aspiradora para mojado/seco con aislamiento doble se proporcionan dos sistemas de aislamiento en vez de conexión a tierra. No se proporciona ningún medio de conexión a tierra en un aparato electrodoméstico con aislamiento doble, ni se debe añadir a éste ningún medio de conexión a tierra. El servicio de ajustes y reparaciones de una aspiradora para mojado/seco con aislamiento doble requiere extremado cuidado y conocimiento del sistema, y debe ser realizado únicamente por personal de servicio competente. Las piezas de repuesto para la aspiradora para mojado/seco con aislamiento doble deben ser idénticas a las piezas que reemplazan. La aspiradora para mojado/seco con aislamiento doble está marcada con las palabras "DOUBLE INSULATED" (con aislamiento doble) y puede que el símbolo  (un cuadrado dentro de un cuadrado) también esté marcado en los aparatos.

Para reducir el riesgo de lesiones por causa de descargas eléctricas, desenchufe el cordón de energía antes de hacer servicio de ajustes y reparaciones a las piezas eléctricas de la aspiradora para mojado/seco.



Piezas de repuesto

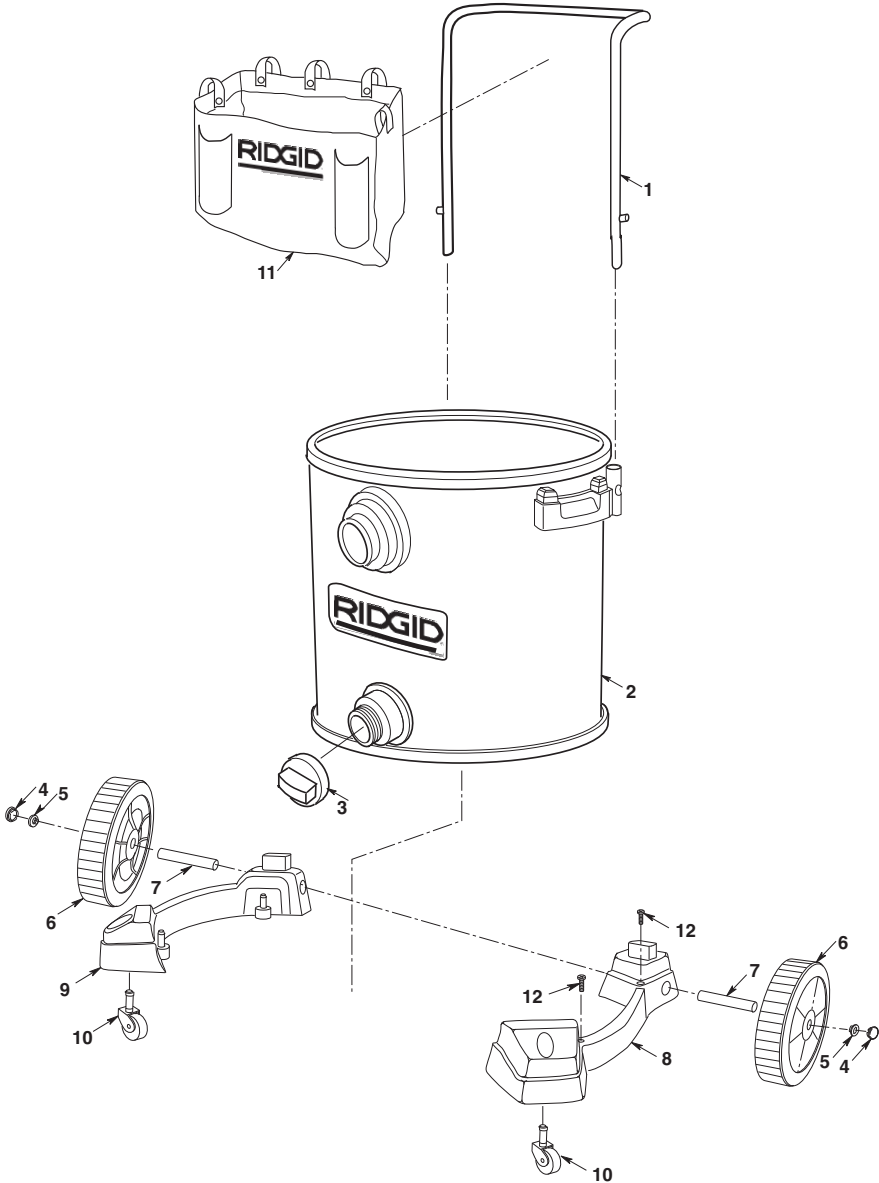
Aspiradora para mojado/seco profesional de 16 galones Número de modelo WD19500

Las piezas RIDGID se encuentran disponibles en línea conectándose a www.ridgidparts.com

Pida siempre por número de pieza —no por número de clave

No. de clave	No. de pieza	Descripción
1	830858	Ensamblaje del asa
2	830846	Ensamblaje del tambor para polvo
3	73185	Tapa del drenaje
4	830611	Tapa de rueda
5	813836-1	Tuerca de tapa de 1/2 pulgada
6	830598	Ensamblaje de rueda de 8 pulgadas (incluye las claves 4 y 5)
7	831024-1	Eje
8	830841	Base de soporte derecha
9	830840	Base de soporte izquierda
10	73102	Ruedecilla
11	830860	Bolsa
12	820563-4	Tornillo tipo "AB" No. 10 x 3/4
13	509748-3	Bolsa de piezas sueltas (no ilustrada) (incluye las claves 4, 5, 10 y 12)

Piezas de repuesto



RIDGID®



Qué está cubierto

Se garantiza que las herramientas RIDGID® están libres de defectos de fabricación y de materiales.

Cuánto dura la cobertura

Esta garantía dura toda la vida de la herramienta RIDGID®. La cobertura de garantía termina cuando el producto se vuelva inutilizable por motivos que no sean defectos de fabricación o de materiales.

Cómo puede obtener servicio

Para obtener el beneficio de esta garantía, envíe el producto completo mediante transporte prepago a RIDGE TOOL COMPANY, Elyria, Ohio, o a cualquier CENTRO DE SERVICIO INDEPENDIENTE RIDGID®. Las llaves para tubos y otras herramientas de mano deben devolverse al establecimiento de compra.

Qué haremos para corregir los problemas

Los productos garantizados se repararán o reemplazarán, a opción de RIDGE TOOLS, y se devolverán sin cargo; o si después de tres intentos de reparar o reemplazar un producto durante el período de garantía dicho producto sigue presentando defectos, usted podrá optar por recibir un reembolso completo por la cantidad del precio de compra.

Qué no está cubierto

Las averías debidas a uso incorrecto, abuso o desgaste por el uso normal no están cubiertas por esta garantía. RIDGE TOOL no será responsable de ningún daño incidental ni emergente.

Cómo se relaciona la ley local con la garantía

Algunos estados no permiten la exclusión o limitación de los daños incidentales o emergentes, por lo que es posible que la limitación o exclusión que antecede no tenga aplicación en su caso. Esta garantía le confiere a usted derechos específicos y es posible que también tenga otros derechos, que varían de un estado a otro, una provincia a otra o un país a otro.

Ninguna otra garantía expresa tiene aplicación

Esta GARANTÍA COMPLETA DE POR VIDA es la garantía única y exclusiva de los productos RIDGID®. Ningún empleado, agente, distribuidor u otra persona está autorizado a alterar esta garantía ni a dar ninguna otra garantía en nombre de RIDGE TOOL COMPANY.

No. de existencias **WD1950**

No. de modelo **WD19500**

Número de serie _____

Los números de modelo y de serie pueden encontrarse en el mango. Debe anotar tanto el número de modelo como el de serie en un lugar seguro para uso futuro.

**¿PREGUNTAS O COMENTARIOS? LLAME AL
1-800-4-RIDGID (1-800-474-3443)**

www.ridgidvacs.com

Por favor, tenga a mano su número de modelo y número de serie cuando llame.



EMERSON™
Professional Tools

Emerson Tool Company
Una División de
Emerson Electric Co.

© 2007 Emerson

No. de pieza SP6567

Formulario No. SP6567-1

Impreso en Mexico 08/07