



www.regency-fire.com

# P40 Gas Fireplace

Owners &  
Installation Manual



MODELS: P40-NG Natural Gas P40-LP Propane

**WARNING:**

If the information in these instructions are not followed exactly, a fire or explosion may result causing property damage, personal injury or loss of life.

**FOR YOUR SAFETY**

Do not store or use gasoline or other flammable vapors and liquids in the vicinity of this or any other appliance.

Installation and service must be performed by a qualified installer, service agency or the gas supplier.

**FOR YOUR SAFETY**

What to do if you smell gas:

- Do not try to light any appliance
- Do not touch any electrical switch: do not use any phone in your building.
- Immediately call your gas supplier from a neighbour's phone. Follow the gas supplier's instructions.
- If you cannot reach your gas supplier, call the fire department.

tested by:



*Installer:* Please complete the details on the back cover and leave this manual with the homeowner.

*Homeowner:* Please keep these instructions for future reference.

---

**To the New Owner:**

**Congratulations!**

You are the owner of a state-of-the-art Gas Fireplace by REGENCY®. The P40 has been designed to provide you with all the warmth and charm of a wood fireplace at the flick of a switch. The model P40 has been approved by Warnock Hersey for both safety and efficiency. As it also bears our own mark, it promises to provide you with economy, comfort and security for many trouble free years to follow. Please take a moment now to acquaint yourself with these instructions and the many features of your Regency® Fireplace.

**MANUFACTURED MOBILE HOME REQUIREMENTS  
INFORMATION FOR MOBILE/MANUFACTURED HOMES AFTER FIRST SALE**

This Regency® product has been tested and listed by Warnock Hersey as a Vented Gas Fireplace Heater to the following standards: VENTED GAS FIREPLACE HEATERS ANSI Z21.88-2005/CSA 2.33-2005 and GAS-FIRED APPLIANCES FOR USE AT HIGH ALTITUDES CAN/CGA 2.17-M91.

This Direct Vent System Appliance must be installed in accordance with the manufacturer's installation instructions and the Manufactured Home Construction and Safety Standard, Title 24 CFR, Part 3280, or the current Standard of Fire Safety Criteria for Manufactured Home Installations, Sites, and Communities ANSI/NFPA 501A, and with CAN/CSA Z240-MH Mobile Home Standard in Canada.

This appliance installation must comply with the manufacturer's installation instructions and local codes, if any. In the absence of local codes follow the current National Fuel Gas Code, ANSI Z223.1 and the current National Electrical Code ANSI/NFPA 70 in the U.S.A., and the current CAN/CGA B149 Gas Installation Code and the current Canadian Electrical Code CSA C22.1 in Canada.

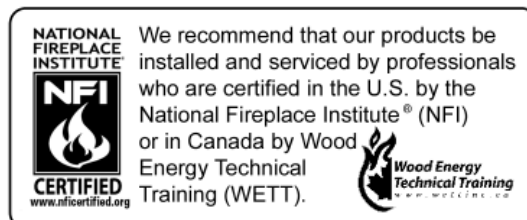
This appliance comes equipped with a dedicated #8 Ground Lug for attachment of the ground wire to the steel chassis as applicable to local codes.

The appliance, when installed, must be electrically grounded in accordance with local codes or, in the absence of local codes, with the National Electrical Code, ANSI/NFPA 70, or the Canadian Electrical Code, CSA C22.1.

This appliance may only be installed in an aftermarket permanently located, manufactured (U.S.A only) or mobile home, where not prohibited by local codes.

This appliance can only be used with the type of gas indicated on the rating plate. This appliance is not convertible for use with other gases, unless a certified kit is used. (Kit# 502-969)

Ensure that structural members are not cut or weakened during installation.



# TABLE OF CONTENTS

|  |    |
|--|----|
| <b>SAFETY LABEL</b>  |    |
| Copy of Safety Label .....                                       | 4  |
| <b>REQUIREMENTS</b>  |    |
| MA Code - CO Detector<br>(for state of Massachusetts only) ..... | 5  |
| <b>UNIT DIMENSIONS</b>   |    |
| Dimensions .....   | 6  |
| <b>INSTALLATION</b>  |    |
| Important Message .....  | 7  |
| Before You Start .....   | 7  |
| General Safety Information .....                                 | 7  |
| Installation Checklist .....                                     | 7  |
| Manufactured Mobile Home Additional Requirements ..              | 8  |
| Locating Your Gas Fireplace .....                                | 8  |
| Heatwave Duct Kit .....  | 8  |
| Heat Release Kit .....   | 8  |
| Hearth Requirements .....  | 8  |
| Clearances .....   | 9  |
| Mantel Clearances .....  | 10 |
| Mantel Leg Clearances .....                                      | 10 |
| Framing & Finishing .....  | 11 |
| Unit Assembly Prior To Installation .....                        | 12 |
| Top Standoff Assembly .....                                      | 12 |
| Top Facing Support and Side Nailing Strips .....                 | 12 |
| Venting Introduction .....                                       | 12 |
| Vent Restrictor Position .....                                   | 12 |
| Exterior Vent Termination Requirements .....                     | 13 |
| Venting Arrangements .....                                       | 14 |
| Horizontal Termination (Flex) .....                              | 14 |
| Rigid Pipe Venting Systems .....                                 | 15 |
| Basic Horizontal & Vertical Terminations .....                   | 15 |
| Rigid Pipe Venting Components List .....                         | 16 |
| Venting Arrangements .....                                       | 17 |
| Allowable Horizontal Terminations .....                          | 17 |
| Venting Arrangements .....                                       | 20 |
| Allowable Vertical Terminations .....                            | 20 |
| Unit Installation with Horizontal Termination .....              | 21 |
| Unit Installation with Vertical Termination .....                | 22 |
| Horizontal Termination with Flex Vent System .....               | 23 |
| P40-NG System Data .....   | 24 |
| P40-LP System Data .....   | 24 |
| High Elevation .....   | 24 |
| Gas Line Installation .....                                      | 24 |
| Pilot Adjustment .....   | 24 |
| Gas Pipe Pressure Testing .....                                  | 25 |
| SIT Valve Description .....                                      | 25 |
| Back-Up Battery Installation .....                               | 25 |
| Conversion Kit #502-969 from NG to LP .....                      | 26 |
| Brick Panel Installation .....                                   | 28 |
| Log Set Installation .....                                       | 29 |
| Aeration Adjustment .....  | 32 |
| Standard Flush Door .....  | 32 |
| Flush Louvers .....  | 32 |
| Finishing Trim .....   | 33 |
| Wiring Diagram .....   | 33 |
| <b>OPERATING INSTRUCTIONS</b>                                    |    |
| Operating Instructions .....                                     | 34 |
| Shutdown Procedure .....   | 34 |
| First Fire .....   | 34 |
| Lighting Procedure .....   | 34 |
| Operation During Power Outage .....                              | 35 |
| Summary Of Controls .....  | 35 |
| FireWizard™ Remote Control Functions .....                       | 35 |
| Normal Operating Sounds of Gas Appliances .....                  | 36 |
| Copy of Lighting Plate Instructions .....                        | 36 |
| <b>MAINTENANCE</b>   |    |
| Maintenance Instructions .....                                   | 37 |
| General Vent Maintenance .....                                   | 37 |
| Log Replacement .....  | 37 |
| Thermopile / Thermocouple .....                                  | 37 |
| Glass Gasket .....   | 37 |
| Louvers .....  | 37 |
| Door Glass .....   | 38 |
| Glass Replacement .....  | 38 |
| Fan Replacement .....  | 38 |
| Valve Replacement .....  | 39 |
| DC Sparker Replacement .....                                     | 40 |
| Power Module Replacement .....                                   | 41 |
| Control Module Replacement .....                                 | 41 |
| Backup Battery Replacement .....                                 | 41 |
| <b>PARTS LIST</b>  |    |
| Main Assembly .....  | 42 |
| Valve Tray Assembly .....  | 43 |
| Flush Door & Louvers .....                                       | 44 |
| <b>WARRANTY</b>  |    |
| The Warranty: Limited Lifetime .....                             | 47 |

# SAFETY LABEL

This is a copy of the label that accompanies each P40-NG and P40-LP Direct Vent Gas Fireplace. We have printed a copy of the contents here for your review.

**NOTE:** Regency® units are constantly being improved. Check the label on the unit and if there is a difference, the label on the unit is the correct one.

## Copy of Safety Label

**DO NOT REMOVE THIS LABEL / NE PAS ENLEVER CETTE ÉTIQUETTE**



**318**

Serial No. / No de serie

Listed: **VENTED GAS FIREPLACE HEATER**  
 Tested to: **ANSI Z21.88-2005/ CSA 2.33-2005, CAN/CGA-2.17-M91**  
 Certified for / Certifiée pour: **CANADA AND U.S.A.**



 Model/Modelo:  
**P40-NG**

**NATURAL GAS FIREPLACE: MODEL P40-NG**  
**Factory Equipped For Altitude 0-4500ft. (0-1372m)**

|                             |        |       |            |
|-----------------------------|--------|-------|------------|
| Min. Supply Pressure        | 5"     | WC    | (1.25 kpa) |
| Low Setting Man. Pressure   | 1,6"   | WC    | (0.39 kpa) |
| Max. Manifold Pressure      | 3,5"   | WC    | (0.87 kpa) |
| Orifice Size (Front Burner) | #44    | DMS   |            |
| Orifice Size (Back Burner)  | #35    | DMS   |            |
| Minimum Input               | 13,000 | Btu/h | (3.81 kW)  |
| Maximum Input               | 45,000 | Btu/h | (13.19 kW) |

 Model/Modelo:  
**P40-LP**

**PROPANE GAS FIREPLACE: MODEL P40-LP**  
**Factory Equipped For Altitude 0-4500ft. (0-1372m)**

|                             |        |       |            |
|-----------------------------|--------|-------|------------|
| Min. Supply Pressure        | 12"    | WC    | (2.98 kpa) |
| Low Setting Man. Pressure   | 3,6"   | WC    | (2.49 kpa) |
| Max. Manifold Pressure      | 10"    | WC    | (2.98 kpa) |
| Orifice Size (Front Burner) | #55    | DMS   |            |
| Orifice Size (Back Burner)  | #53    | DMS   |            |
| Minimum Input               | 12,000 | Btu/h | (3.51 kW)  |
| Maximum Input               | 43,000 | Btu/h | (12.60 kW) |

**VENTED GAS FIREPLACE HEATER**

This appliance must be installed in accordance with the manufacturer's installation instructions and with local codes, if any; if none, follow the current ANSI Z223.1 in the USA or the current CAN 1-B149 in Canada.

**This vented gas fireplace heater is not for use with air filters.**

For Manufactured Home Installation: This Direct Vent System Appliance must be installed in accordance with the manufacturer's installation instructions and Manufactured Home Construction and Safety Standard Title 24 CFR, Part 3280, or the current Standard for Fire Safety Criteria for Manufactured Home Installation, Sites, and Communities ANSI/NFPA 501A, and with CAN/CSA Z240 MH Mobile Home Standard in Canada.

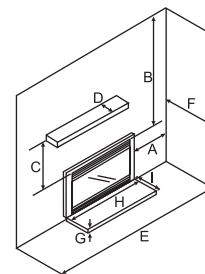
This appliance is only for use with the type of gas indicated on the rating plate and may be installed in an aftermarket, permanently located, manufactured (mobile) home where not prohibited by local codes. See owner's manual for details. This appliance is not convertible for use with other gases, unless a certified kit is used (Kit #521-969). Certified for use with Heat Wave (Kit #946-556) and Heat Release (Kit #946-570).

Electrical Supply: 115 V, 0.1 A, 60 Hz

**NOT FOR USE WITH SOLID FUEL**

**Minimum Clearances to Combustibles from Fireplace**

|                    |    |     |          |
|--------------------|----|-----|----------|
| Side Walls         | A  | 8"  | (203mm)  |
| Ceiling            | B  | 39" | (991mm)  |
| Min. Mantel Height | C  | 12" | (305mm)  |
| Max. Mantel Depth  | *D | 13" | (330mm)  |
| Min. Alcove Width  | E  | 56" | (1422mm) |
| Max. Alcove Depth  | F  | 36" | (914mm)  |



**Non-Combustible Hearth Extension**

|               |   |        |          |
|---------------|---|--------|----------|
| Hearth Height | G | 1-1/2" | (39mm)   |
| Hearth Width  | H | 40"    | (1016mm) |
| Hearth Depth  | I | 16"    | (406mm)  |

\* Mantel depth taken at 21" (533mm) from top of louver opening.

For the State of Massachusetts, installation and repair must be done by a plumber or gasfitter licensed in the Commonwealth of Massachusetts.

For the State of Massachusetts, flexible connectors shall not exceed 36 inches in length.

For the State of Massachusetts, the appliances individual manual shut-off must be a t-handle type valve.

The State of Massachusetts requires the installation of a carbon monoxide alarm in accordance with NFPA 720 and a CO alarm with battery back up in the same room where the gas appliance is installed.

**FPI Fireplace Products International Ltd., Delta BC, CANADA**  
**MADE IN CANADA / FABRIQUE AU CANADA**

918-567a

## MA Code - CO Detector (for the State of Massachusetts only)

### 5.08: Modifications to NFPA-54, Chapter 10

(2) Revise 10.8.3 by adding the following additional requirements:

(a) For all side wall horizontally vented gas fueled equipment installed in every dwelling, building or structure used in whole or in part for residential purposes, including those owned or operated by the Commonwealth and where the side wall exhaust vent termination is less than seven (7) feet above finished grade in the area of the venting, including but not limited to decks and porches, the following requirements shall be satisfied:

1. **INSTALLATION OF CARBON MONOXIDE DETECTORS.** At the time of installation of the side wall horizontal vented gas fueled equipment, the installing plumber or gasfitter shall observe that a hard wired carbon monoxide detector with an alarm and battery back-up is installed on the floor level where the gas equipment is to be installed. In addition, the installing plumber or gasfitter shall observe that a battery operated or hard wired carbon monoxide detector with an alarm is installed on each additional level of the dwelling, building or structure served by the side wall horizontal vented gas fueled equipment. It shall be the responsibility of the property owner to secure the services of qualified licensed professionals for the installation of hard wired carbon monoxide detectors

a. In the event that the side wall horizontally vented gas fueled equipment is installed in a crawl space or an attic, the hard wired carbon monoxide detector with alarm and battery back-up may be installed on the next adjacent floor level.

b. In the event that the requirements of this subdivision can not be met at the time of completion of installation, the owner shall have a period of thirty (30) days to comply with the above requirements; provided, however, that during said thirty (30) day period, a battery operated carbon monoxide detector with an alarm shall be installed.

2. **APPROVED CARBON MONOXIDE DETECTORS.** Each carbon monoxide detector as required in accordance with the above provisions shall comply with NFPA 720 and be ANSI/UL 2034 listed and IAS certified.

3. **SIGNAGE.** A metal or plastic identification plate shall be permanently mounted to the exterior of the building at a minimum height of eight (8) feet above grade directly in line with the exhaust vent terminal for the horizontally vented gas fueled heating appliance or equipment. The sign shall read, in print size no less than one-half (1/2) inch in size, "**GAS VENT DIRECTLY BELOW. KEEP CLEAR OF ALL OBSTRUCTIONS**".

4. **INSPECTION.** The state or local gas inspector of the side wall horizontally vented gas fueled equipment shall not approve the installation unless, upon inspection, the inspector observes carbon monoxide detectors and signage installed in accordance with the provisions of 248 CMR 5.08(2)(a)1 through 4.

(b) **EXEMPTIONS:** The following equipment is exempt from 248 CMR 5.08(2)(a)1 through 4:

1. The equipment listed in Chapter 10 entitled "Equipment Not Required To Be Vented" in the most current edition of NFPA 54 as adopted by the Board; and

2. Product Approved side wall horizontally vented gas fueled equipment installed in a room or structure separate from the dwelling, building or structure used in whole or in part for residential purposes.

(c) **MANUFACTURER REQUIREMENTS - GAS EQUIPMENT VENTING SYSTEM PROVIDED.** When the manufacturer of Product Approved side wall horizontally vented gas equipment provides a venting system design or venting system components with the equipment, the instructions provided by the manufacturer for installation of the equipment and the venting system shall include:

1. Detailed instructions for the installation of the venting system design or the venting system components; and

2. A complete parts list for the venting system design or venting system.

(d) **MANUFACTURER REQUIREMENTS - GAS EQUIPMENT VENTING SYSTEM NOT PROVIDED.** When the manufacturer of a Product Approved side wall horizontally vented gas fueled equipment does not provide the parts for venting the flue gases, but identifies "special venting systems", the following requirements shall be satisfied by the manufacturer:

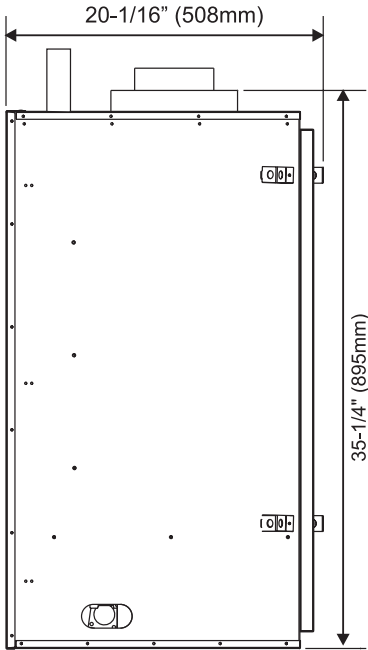
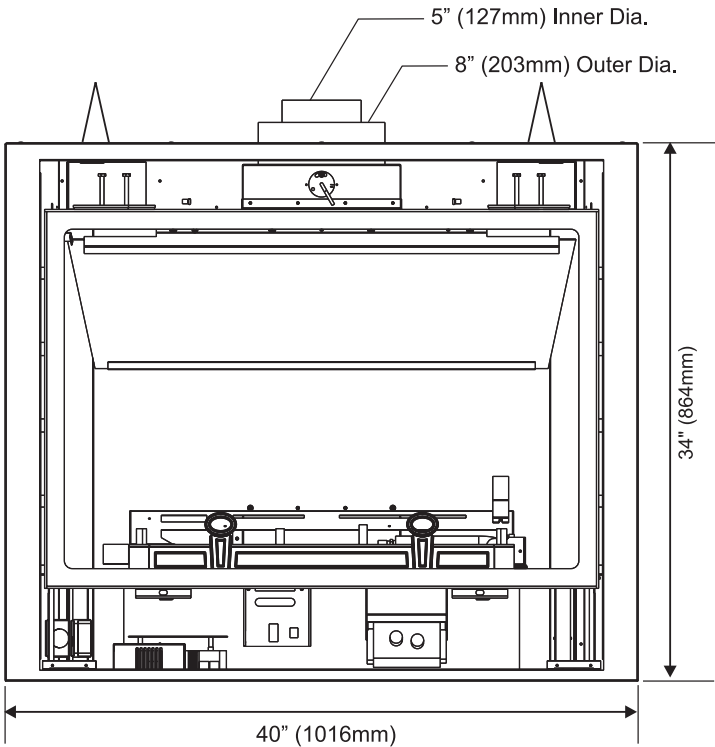
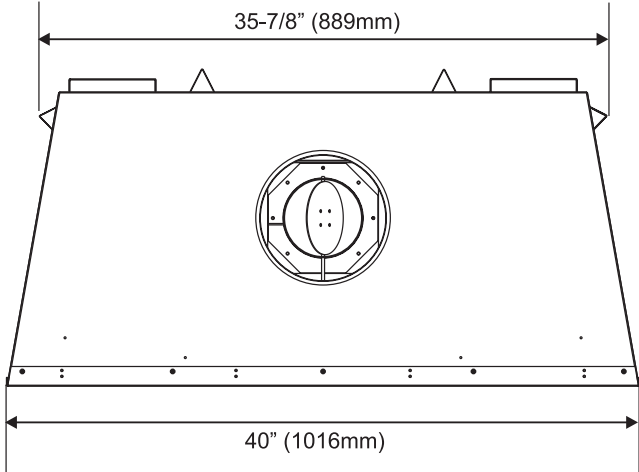
1. The referenced "special venting system" instructions shall be included with the appliance or equipment installation instructions; and

2. The "special venting systems" shall be Product Approved by the Board, and the instructions for that system shall include a parts list and detailed installation instructions.

(e) A copy of all installation instructions for all Product Approved side wall horizontally vented gas fueled equipment, all venting instructions, all parts lists for venting instructions, and/or all venting design instructions shall remain with the appliance or equipment at the completion of the installation.

# UNIT DIMENSIONS

## Dimensions



## IMPORTANT MESSAGE SAVE THESE INSTRUCTIONS

The P40 Direct Vent Fireplace must be installed in accordance with these instructions. Carefully read all the instructions in this manual first. Consult the "authority having jurisdiction" to determine the need for a permit prior to starting the installation. It is the responsibility of the installer to ensure this fireplace is installed in compliance with manufacturers instructions and all applicable codes.

### BEFORE YOU START

Safe installation and operation of this appliance requires common sense, however, we are required by the Canadian Safety Standards and ANSI Standards to make you aware of the following:

**INSTALLATION AND REPAIR SHOULD BE DONE BY AN AUTHORIZED SERVICE PERSON. THE APPLIANCE SHOULD BE INSPECTED BEFORE USE AND AT LEAST ANNUALLY BY A PROFESSIONAL SERVICE PERSON. MORE FREQUENT CLEANING MAY BE REQUIRED DUE TO EXCESSIVE LINT FROM CARPETING, BEDDING MATERIAL, ETC. IT IS IMPERATIVE THAT CONTROL COMPARTMENTS, BURNERS AND CIRCULATING AIR PASSAGEWAYS OF THE APPLIANCE BE KEPT CLEAN.**

**DUE TO HIGH TEMPERATURES, THE APPLIANCE SHOULD BE LOCATED OUT OF TRAFFIC AND AWAY FROM FURNITURE AND DRAPERIES.**

**WARNING: FAILURE TO INSTALL THIS APPLIANCE CORRECTLY WILL VOID YOUR WARRANTY AND MAY CAUSE A SERIOUS HOUSE FIRE.**

**CHILDREN AND ADULTS SHOULD BE ALERTED TO THE HAZARDS OF HIGH SURFACE TEMPERATURES, ESPECIALLY THE FIREPLACE GLASS, AND SHOULD STAY AWAY TO AVOID BURNS OR CLOTHING IGNITION.**

**YOUNG CHILDREN SHOULD BE CAREFULLY SUPERVISED WHEN THEY ARE IN THE SAME ROOM AS THE APPLIANCE.**

**CLOTHING OR OTHER FLAMMABLE MATERIAL SHOULD NOT BE PLACED ON OR NEAR THE APPLIANCE.**

### GENERAL SAFETY INFORMATION

- 1) The appliance installation must conform with local codes or, in the absence of local codes, with the current Canadian or National Gas Codes, CAN1-B149 or ANSI Z223.1 Installation Codes.
- 2) The appliance when installed, must be electrically grounded in accordance with local codes, or in the absence of local codes with the current National Electrical Code, ANSI/NFPA 70 or CSA C22.1 Canadian Electrical Code.
- 3) See general construction and assembly instructions. The appliance and vent should be enclosed.
- 4) This appliance must be connected to the specified vent and termination cap to the outside of the building envelope. Never vent to another room or inside a building. Make sure that the vent is fitted as per Venting instructions.
- 5) Inspect the venting system annually for blockage and any signs of deterioration.
- 6) Venting terminals shall not be recessed into a wall or siding.
- 7) Any safety glass removed for servicing must be replaced prior to operating the appliance.
- 8) To prevent injury, do not allow anyone who is unfamiliar with the operation to use the fireplace.
- 9) Wear gloves and safety glasses for protection while doing required maintenance.
- 10) Be aware of electrical wiring locations in walls and ceilings when cutting holes for termination.
- 11) Under no circumstances should this appliance be modified. Parts that have to be removed for servicing should be replaced prior to operating this appliance.

- 12) Installation and any repairs to this appliance should be done by an authorized service person. A professional service person should be called to inspect this appliance annually. Make it a practice to have all of your gas appliances checked annually.
- 13) Do not slam shut or strike the glass door.
- 14) Under no circumstances should any solid fuels (wood, paper, cardboard, coal, etc.) be used in this appliance.
- 15) The appliance area must be kept clear and free of combustible materials, (gases and other flammable vapours and liquids).

Emissions from burning wood or gas could contain chemicals known to the State of California to cause cancer, birth defects or other reproductive harm.

### INSTALLATION CHECKLIST

- 1) Locate appliance
  - a) Room location (Refer to "Locating Your Gas fireplace" section)
  - b) Clearances to Combustibles (Refer to "Clearances" section)
  - c) Mantle Clearances (Refer to "Mantel Clearances" section)
  - d) Framing & Finishing Requirements (Refer to "Framing & Finishing" section)
  - e) Venting Requirements (Refer to "Venting" section)
- 2) Assemble Top Standoffs and Top Facing Support and Side Nailing Strips (Refer to "Unit Assembly Prior to Installation"). NOTE: Must be done before installing unit into place.
- 3) Install vent (Refer to "Venting Arrangement" sections).
- 4) Back-up battery installation. Refer to "Back-up Battery Installation" section.
- 5) Make gas and electrical connections. Test the pilot. Must be as per diagram (Refer to "Pilot Adjustment" section).  
  
Convert to propane if desired (Refer to "Conversion from NG to LP" section).
- 6) Test Gas Pressure. (Refer to "Gas Pipe Pressure Testing" section).

# INSTALLATION

7) Install standard and optional features. Refer to the following sections:

- a) Brick Panels
- b) Log Set
- c) Standard Flush Door
- d) Flush Louvers
- e) Finishing trim
- f) Remote Control

8) Final check.

Before leaving this unit with the customer, the installer must ensure that the appliance is firing correctly and **operation fully explained to customer.**

**This includes:**

- 1) Clocking the appliance to ensure the correct firing rate (rate noted on label 45,000 (NG) Btu/h, 43,000 (LP) Btu/h) after burning appliance for 15 minutes.
- 2) If required, adjusting the primary air to ensure that the flame does not carbon. First allow the unit to burn for 15-20 min. to stabilize.

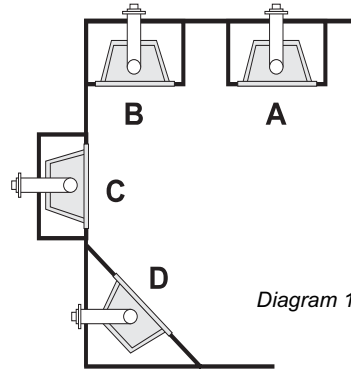
**CAUTION: Any alteration to the product that causes sooting or carboning that results in damage is not the responsibility of the manufacturer.**

## MANUFACTURED MOBILE HOME ADDITIONAL REQUIREMENTS

- 1) Ensure that structural members are not cut or weakened during installation.
- 2) Ensure proper grounding using the #8 ground lug provided. See "Wiring Diagram" section.

## LOCATING YOUR GAS FIREPLACE

- 1) When selecting a location for your fireplace, ensure that the clearances are met.
- 2) The appliance must be installed on a flat, solid, continuous surface (e.g. wood, metal, concrete). This may be the floor, or raised up on a platform to enhance its visual impact. The appliance must be installed on a metal or wood panel extending the full width and depth of the appliance.
- 3) The P40 Direct Vent Gas Fireplace can be installed in a recessed position or framed out into the room as in A, B, C, D. See Diagram 1.



- A) Flat on Wall
- B) Flat on Wall Corner
- C) Recessed into Wall/Alcove
- D) Corner

Diagram 1

- 4) This appliance is Listed for bedroom installations when used with the FireWizard (millivolt thermostat system). Some areas may have further requirements, check local codes before installation.
- 5) The P40 Direct Vent Gas Fireplace is approved for alcove installations, see "Clearances" section for details.
- 6) We recommend that you plan your installation on paper using exact measurements for clearances and floor protection before actually installing this appliance. Have an authorized inspector, dealer, or installer review your plans before installation.

**Note: For vent terminations see "Exterior Vent Termination Locations" section.**

## HEATWAVE DUCT KIT

The **HeatWave** Air Duct Kit increases the effectiveness of your fireplace by dispersing warm air from the fireplace to remote locations in the same room or other rooms in your home.

Up to two kits may be installed on the fireplace. **Please Note:** Only 1 HeatWave kit may be operated at one time. This includes the internal blower option as well.

See HeatWave installation manual for complete details and clearances from side only.



## HEAT RELEASE KIT

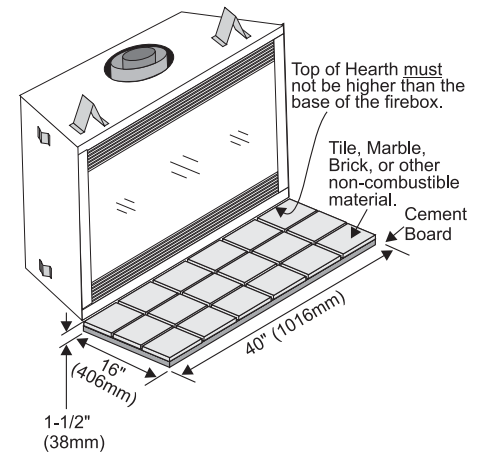
The Heat Release Kit expels warm air from the fireplace to the outside of the building, allowing the fireplace to be operated with less heat entering the room. The kit may be used on either the left or right side.

See Heat Release installation manual for complete details and clearances from side only.

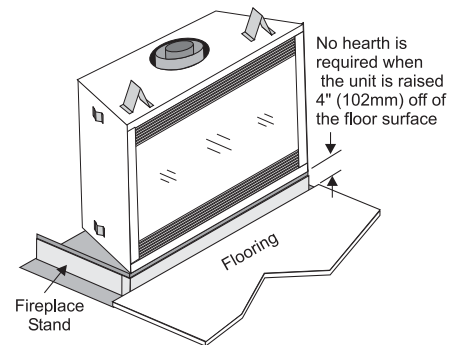
## HEARTH REQUIREMENTS

A 40" (1016mm) wide x 16" (406mm) deep x 1-1/2" (38mm) thick hearth is required, unless the unit is raised 4" (102mm).

### Floor Mounted Fireplace



### Raised Fireplace





## CLEARANCES

The clearances listed below are minimum distances unless otherwise stated:

**A major cause of chimney related fires is failure to maintain required clearances (air space) to combustible materials. It is of the greatest importance that this fireplace and vent system be installed only in accordance with these instructions.**

### Caution Requirements

The top, back and sides of the fireplace are defined by standoffs. The metal ends of the standoff may **NOT** be recessed into combustible construction.

### Clearance to Combustibles from:

|       |    |       |
|-------|----|-------|
| Back  | 0" | (0mm) |
| Side  | 0" | (0mm) |
| Floor | 0" | (0mm) |

\* **Note:** A hearth is required, unless the unit is raised 4" (102mm), see "Hearth Requirements" section for details.

### Minimum Clearance from Top of Louver Opening:

|               |          |                              |
|---------------|----------|------------------------------|
| Mantel Height | min. 12" | (305mm) (at 1" mantel depth) |
| Ceiling       | 39"      | (990mm)                      |

### Side Wall to Unit:

8" (203mm)

### Horizontal Vent Clearances to Combustibles:

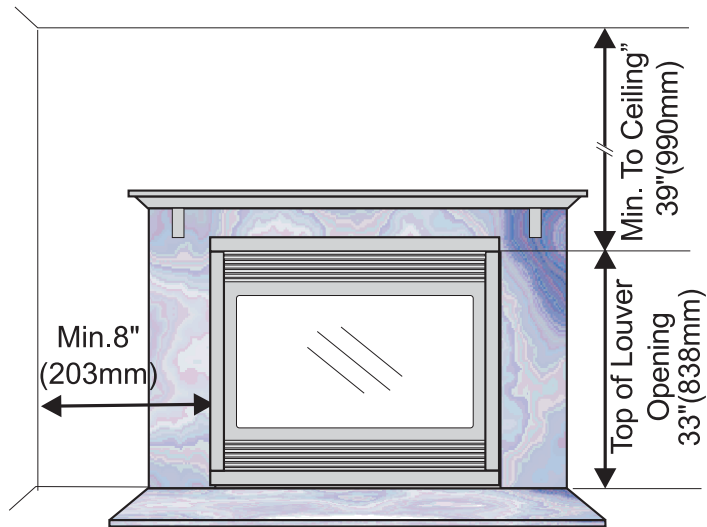
|        |        |        |
|--------|--------|--------|
| Top    | 2-1/2" | (64mm) |
| Side   | 1-1/2" | (38mm) |
| Bottom | 1-1/2" | (38mm) |

### Vertical Vent Clearances to Combustibles:

|           |        |        |
|-----------|--------|--------|
| All Sides | 1-1/4" | (32mm) |
|-----------|--------|--------|

### Alcove Clearances:

|             |     |          |
|-------------|-----|----------|
| Max. Depth  | 36" | (914mm)  |
| Min. Width  | 56" | (1422mm) |
| Min. Height | 72" | (1829mm) |



### WARNING

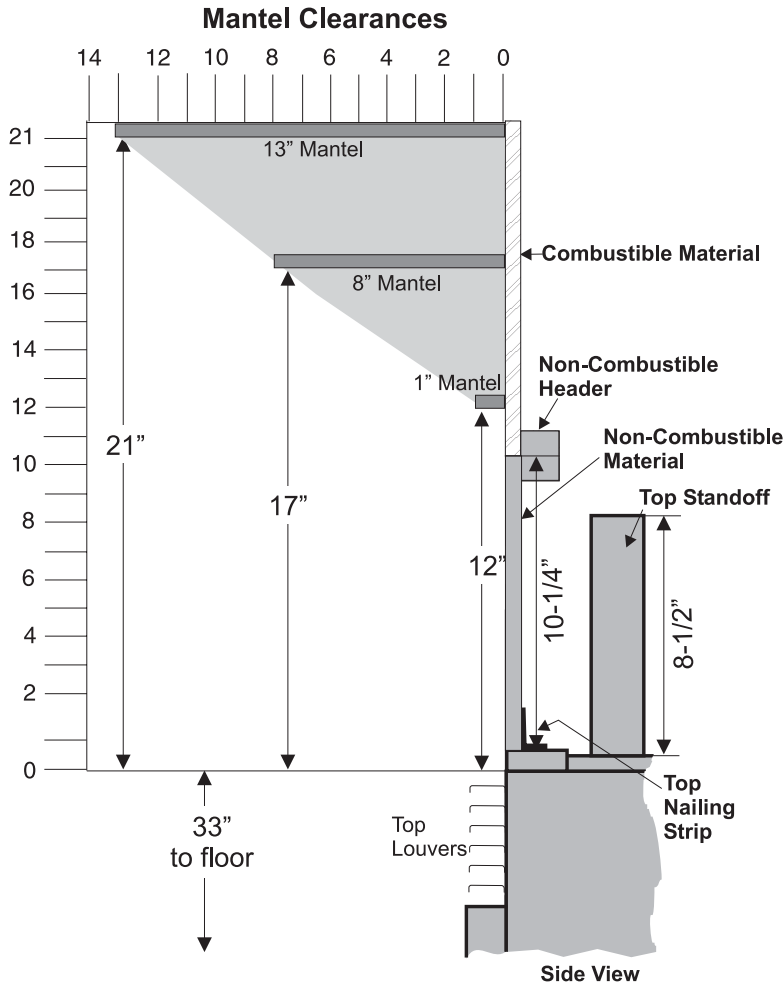
Fire hazard is an extreme risk if these clearances (air space) to combustible materials are not adhered to. It is of greatest importance that this fireplace and vent system be installed only in accordance with these instructions.

# INSTALLATION

## MANTEL CLEARANCES

Because of the extreme heat this fireplace emits, the mantel clearances are critical. Combustible mantel clearances from top of louver opening are shown in the diagram below.

**Note:** A non-combustible mantel may be installed at a lower height if the framing is made of metal studs covered with a non-combustible board.



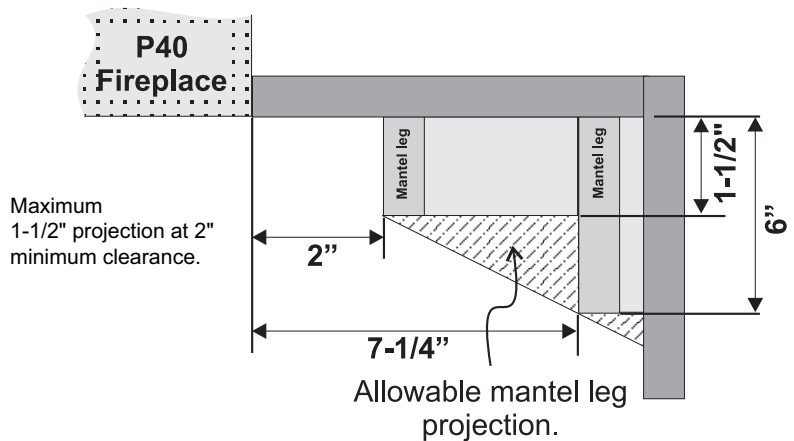
This drawing is to scale at 1:6 (one inch = 6 inches)

Mantel can be installed anywhere in shaded area using the above scale.

**Note:** Ensure the paint that is used on the mantel and the facing is "heat resistant" or the paint may discolour.

## MANTEL LEG CLEARANCES

Combustible mantel leg clearances as per diagram:



## FRAMING & FINISHING

- 1) Frame in the enclosure for the unit with framing material. The framed opening for the assembled kit is 42-1/2" high x 40-1/2" wide x 20-1/16" deep (1080mm H x 1029mm W x 508mm D), see Diagram 1. Also see Diagram 2 for corner installations.

**Note:** Height is from the base of the unit. Take into consideration the hearth height and material.  
**Height = 42-1/2" plus height of hearth.**

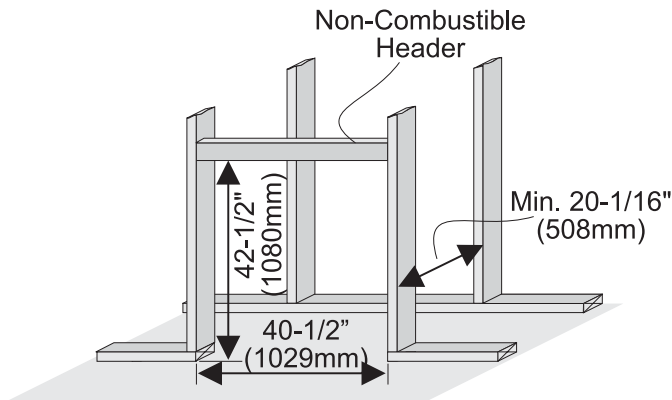


Diagram 1

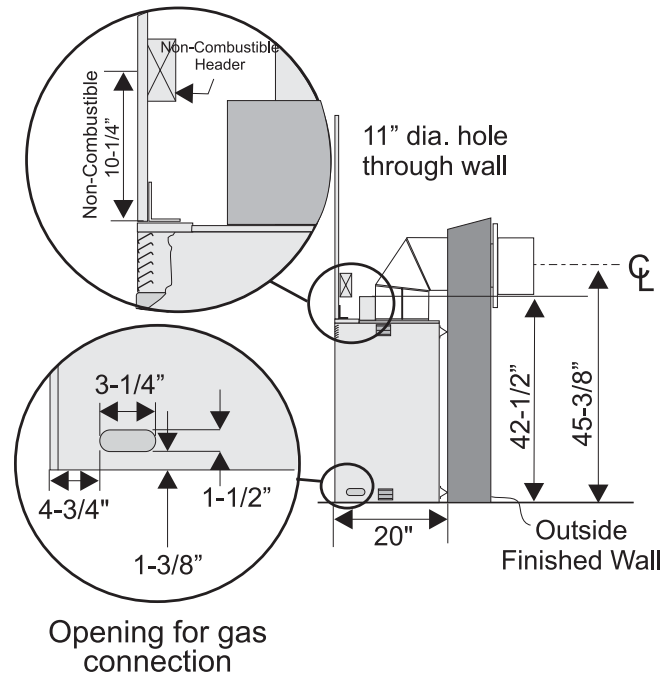


Diagram 3

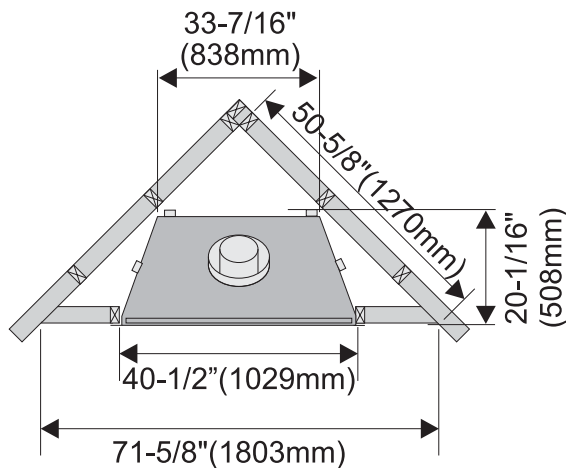


Diagram 2

**Note:** When constructing the framed opening, please ensure there is access to install the gas lines when the unit is installed. See diagram 3 for details.

- 2) For exterior walls, insulate the enclosure to the same degree as the rest of the house, apply vapour barrier and drywall, as per local installation codes. **(Do not insulate the fireplace itself.)**
- 3) The unit does not have to be completely enclosed in a chase. A non-combustible header must be used. You must maintain clearances from the vent to combustible materials: See "Clearances" section. Combustible materials can be laid against the side and back standoffs and the stove base.



The **HeatWave** Duct Kit has different clearance and framing requirements, check the **HeatWave** manual for details.

# INSTALLATION

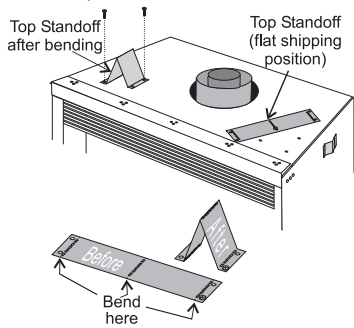
## UNIT ASSEMBLY PRIOR TO INSTALLATION

**NOTE:** The Top Facing Support, the Side Nailing Strips and the 2 Top Standoffs must be correctly positioned and attached before unit is slipped into position.

### TOP STANDOFF ASSEMBLY

The top standoffs are shipped in a flat position and must be folded into shape and attached.

- 1) Remove the standoffs from top of the fireplace.
- 2) Take each standoff and bend into the correct shape. Bend up at the bend lines until the screw holes in the standoff and the pre-punched screw holes on the fireplace top line up.
- 3) Attach the standoff securely to the top with 2 screws per standoff (on opposite corners).



### TOP FACING SUPPORT AND SIDE NAILING STRIPS

Determine the total thickness of facing material to allow the finished surface to be flush with the front of the unit. Total facing thickness can vary from 1/2" (13mm) to 1-1/4" (32mm) thick.

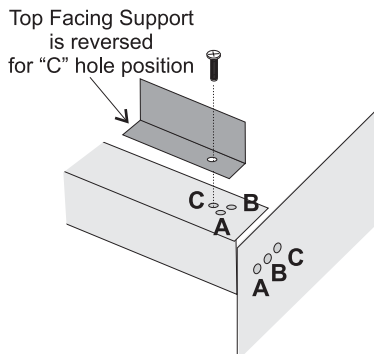
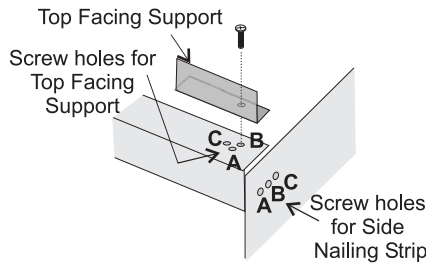
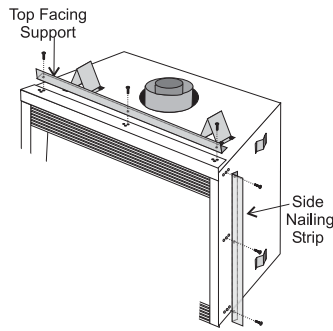
The Top Facing Support & Side Nailing Strips can be mounted in 3 different positions depending on the thickness of the facing material.

| Screw Position | Facing Material Depth |
|----------------|-----------------------|
| A              | 1/2" / 13mm           |
| B              | 7/8" / 22mm           |
| C*             | 1-1/4" / 32mm         |

\* For "C" screw position the top facing support is reversed.

- 1) Mount Top Facing Support using the 3 supplied screws into the three pre-punched screw holes on the top front of the unit. Use hole positions A, B, or C depending on your facing depth.

**Note:** For screw position C with a facing material depth of 1-1/4" (32mm), the top facing support must be reversed.



- 2) Use the same screw hole position for the Side Nailing Strips as was used for the Top Facing Support. Attach each side nailing strip using 3 screws.

**Note:** When installing side strips into position C, the side strips are not reserved.

## VENTING INTRODUCTION

The P40 uses the "balanced flue" technology Co Axial system. The inner liner vents products of combustion to the outside while the outer liner draws outside combustion air into the combustion chamber thereby eliminating the need to use heated room air for combustion and losing warm room air up the chimney.

**Note: These flue pipes must not be connected to any other appliance.**

The gas appliance and vent system must be vented directly to the outside of the building, and never be attached to a chimney serving a separate solid fuel or gas burning appliance.

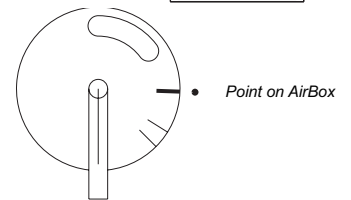
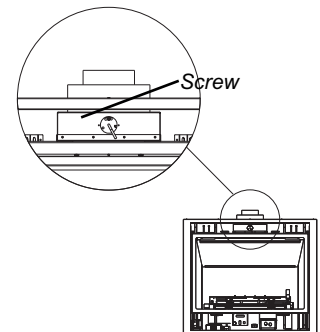
Each direct vent gas appliance must use its own separate vent system. Common vent systems are prohibited.

## VENT RESTRICTOR POSITION

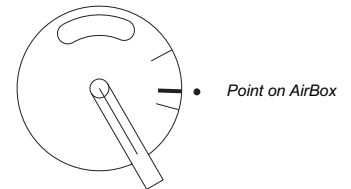
Vent restriction is required for certain venting installations, see the diagrams in the "Venting Arrangements" section to determine if they are required for your installation.

To set the Vent restriction as indicated in the diagrams in the "Venting Arrangements" section, refer to the instructions below;

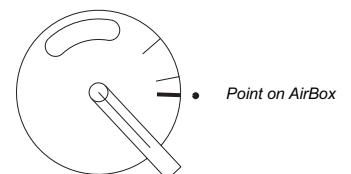
- 1) Remove the top louver if installed.
- 2) Loosen the screw on the vent restrictor indicating plate.
- 3) Rotate the vent restrictor adjustment rod counter clockwise to line up the slot on the indicating plate with the point on the air box to the required setting.
- 4) Tighten screw to lock position.



**Factory Set Vent Restrictor Setting**  
(no adjustment required)

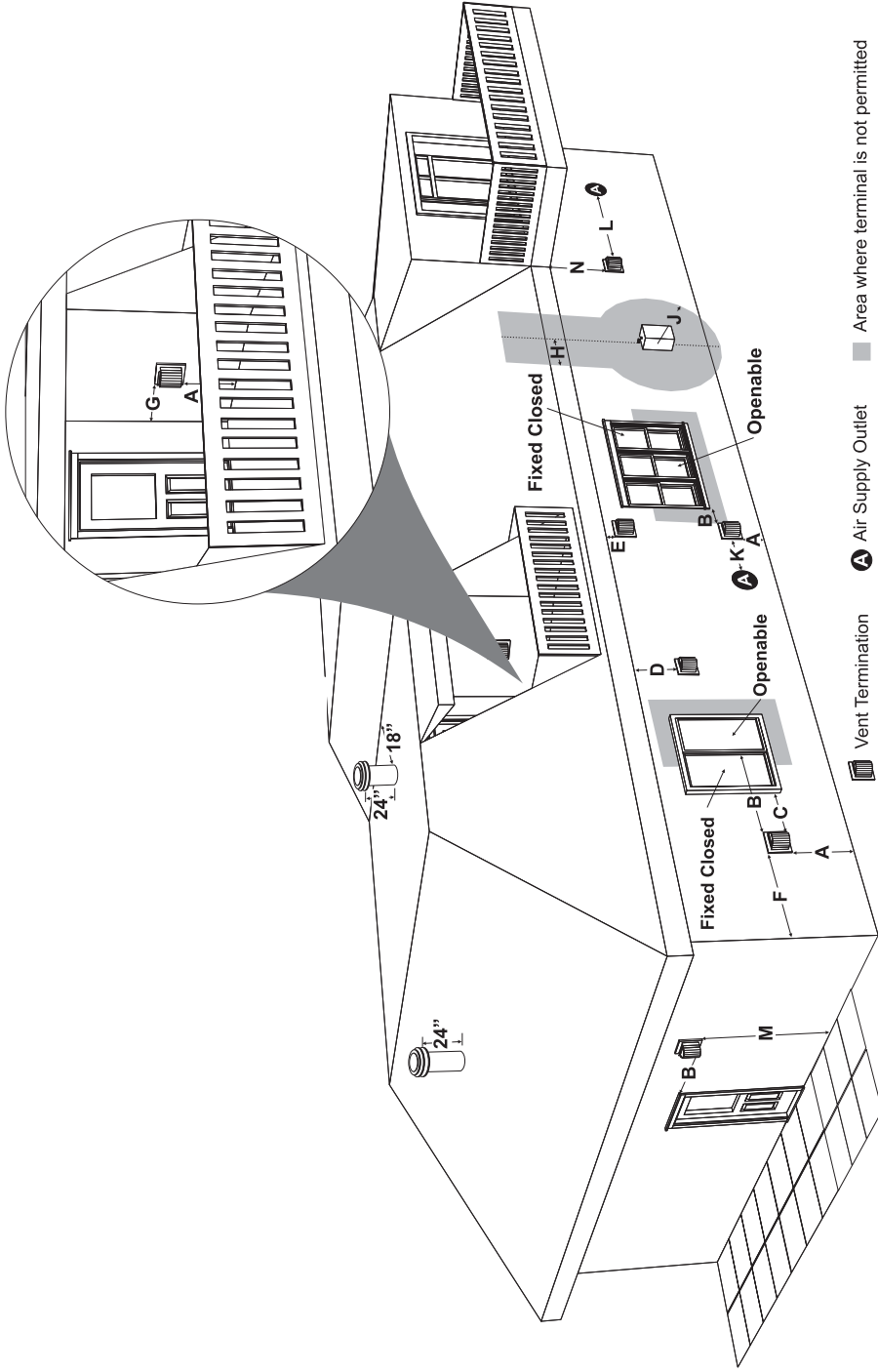


**Vent Restrictor setting at Set 1**



**Vent Restrictor setting at Set 2**

## EXTERIOR VENT TERMINATION REQUIREMENTS



- A= Clearance above grade, veranda, porch, deck, or balcony \*(min. 12"/30cm)
- B= Clearance to window or door that may be opened \*(12"/30cm) #9"/23cm)
- C= Clearance to permanently closed window \*(min. 12"/30cm)
- D= Vertical clearance to ventilated soffit located above the terminal within a horizontal distance of (24"/60cm) from the centerline of the terminal (min. 23") check with local code.
- E= Clearance to unventilated soffit (min. 15"/38cm)
- F= Clearance to outside corner: 13"
- G= Clearance to inside corner: 13"
- H= Not to be installed above a meter/regulator assembly within (3'/90cm) horizontally from the centerline of the regulator.
- J= Clearance to service regulator vent outlet \*(min. 36"/90cm)
- K= Clearance to non-mechanical air supply inlet to building or the combustion air inlet to any other appliance \*(12"/30cm) #9"/23cm)
- L= Clearance to a mechanical air supply inlet \*(6'/1.83m) #3' (91cm) above if within 10' (3m) horizontally.
- M= Clearance above paved sidewalk or a paved driveway located on public property \*(min. 84"/2.1m)
- N= Clearance under veranda, porch, deck, or balcony \*(min. 12"/30cm)

**Note:**

- Excluding direct vent or non-condensing appliances, a vent shall not terminate directly above a sidewalk or paved driveway which is located between two single family dwellings and serves both dwellings.
- Only permitted if veranda, porch, deck, or balcony is fully open on a minimum of two sides beneath the floor.
- If the vent termination is accessible, a certified guard shall be installed.
- \* (Canada) As specified in CGA B149 Installation Code. Note: Local codes or regulations may require different clearances.
- # (US) In accordance with the current ANSI Z223.1/NFPA 54, National Fuel Gas Code.

## VENTING ARRANGEMENTS

### HORIZONTAL TERMINATION (FLEX) Regency® Direct Vent System

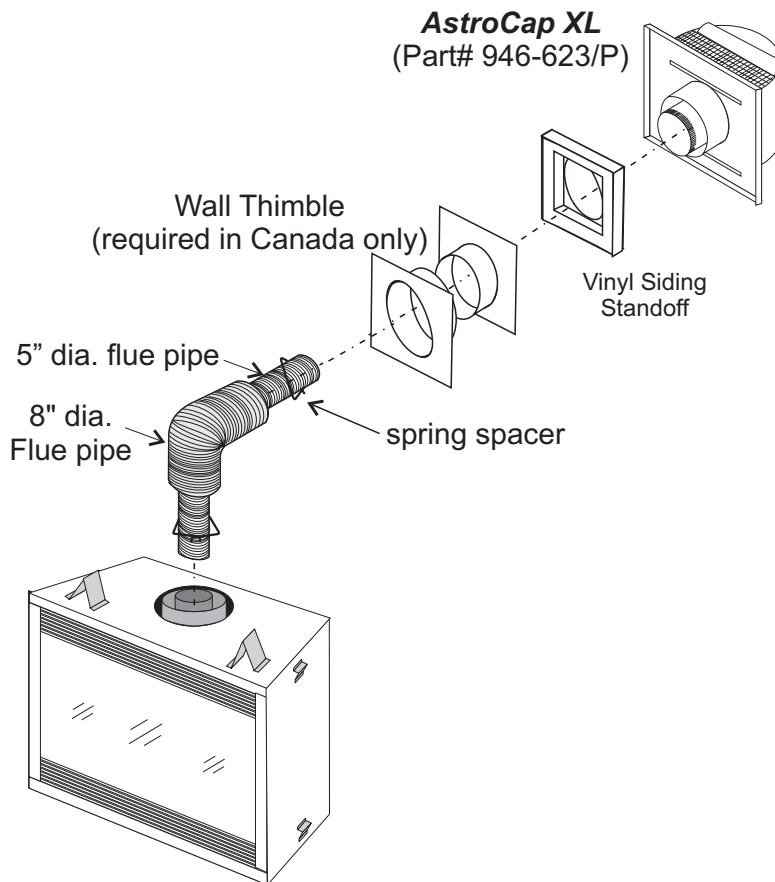
These venting systems, in combination with the P40 Direct Vent Gas Fireplace, have been tested and listed as a direct vent heater system by Warnock Hersey. The location of the termination cap must conform to the requirements in the Vent Terminal Locations diagram in "Exterior Vent Termination Requirements" section.

**Regency® Direct Vent (Flex) System Termination Kit (Part# 946-615) includes all the parts needed to install the P40 with a maximum run of 4 feet.**

- 1) 8" dia. flexible liner (4 ft. length)
- 2) 5" dia. flexible liner (4 ft. length)
- 3) spring spacers (4)
- 4) thimble
- 5) AstroCap XL termination cap (1)
- 6) screws (12)
- 7) tube of Mill Pac (1)
- 8) plated screws (8)
- 9) screws #8 x 1-1/2" Drill Point, Stainless Steel (4)
- 10) vinyl siding standoff

**If longer runs are needed, the Regency® Direct Vent system (Flex) Part# 946-616 includes all the parts needed to install the P40 with a maximum 10' run.**

- 1) 8" dia. flexible liner (10 ft. length)
- 2) 5" dia. flexible liner (10 ft. length)
- 3) spring spacers (7)
- 4) thimble (2)
- 5) AstroCap XL termination cap (1)
- 6) screws (12)
- 7) tube of Mill Pac (1)
- 8) plated screws (8)
- 9) screws #8 x 1-1/2" Drill Point, Stainless Steel (4)
- 10) vinyl siding standoff



#### Notes:

- 1) Liner sections should be continuous without any joints or seams.
- 2) Only Flex pipe purchased from FPI may be used for Flex installations.
- 3) Horizontal vent must be supported every 3 feet. (For 10' flex kit 946-616 only.)

## RIGID PIPE VENTING SYSTEMS

### BASIC HORIZONTAL & VERTICAL TERMINATIONS

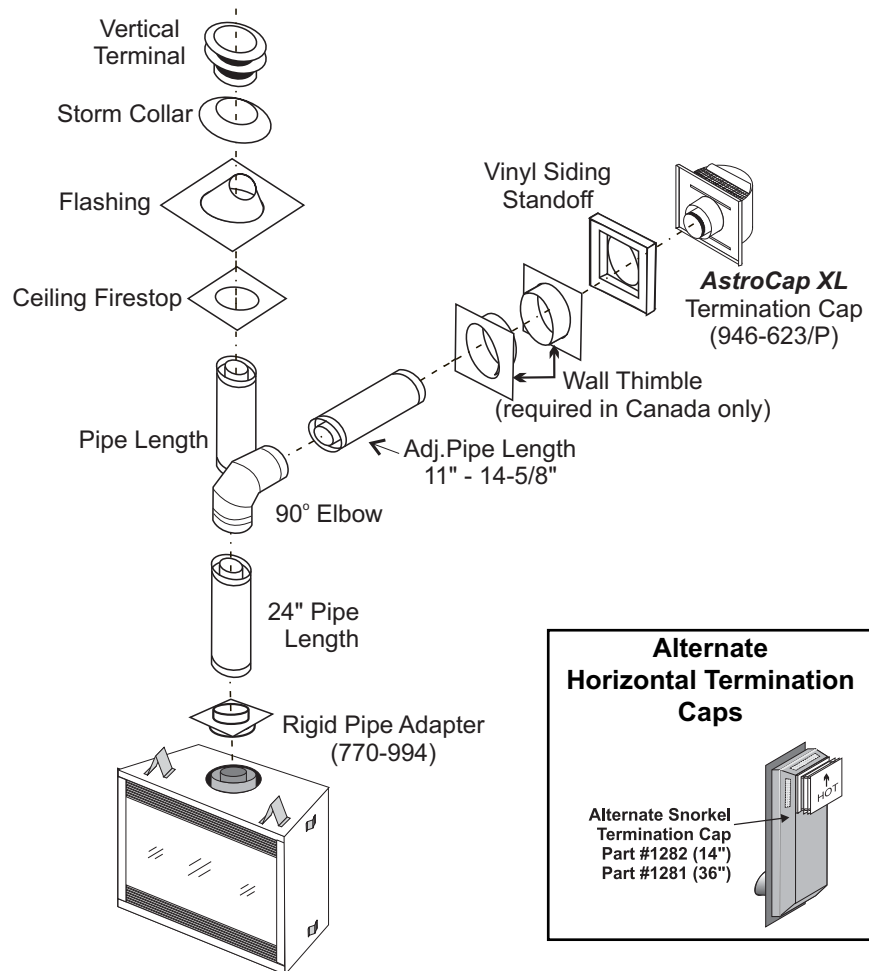
Rigid Pipe Vent Systems offer a complete line of component parts for installation of both horizontal and vertical installations. Many items are offered in decorative black, as well as galvanized finish.

The minimum components required for a basic horizontal termination are:

- 1 Horizontal Termination Cap
- 1 90° Elbow
- 1 Rigid Pipe Adaptor
- 1 Wall Thimble (Canada only)
- 1 Length of pipe to suit wall thickness

The minimum components required for a basic vertical termination are:

- 1 Vertical Termination Cap
- 1 Rigid Pipe Adaptor
- 1 Lengths of pipe to adequately penetrate roof
- 1 Ceiling Firestop
- 1 Flashing
- 1 Storm Collar



Wall thickness is measured from the back standoffs to the inside mounting surface of termination cap. For siding other than vinyl furring strips may be used, instead of the vinyl siding standoff, to create a level surface to mount the vent terminal. The Terminal must not be recessed into siding. Measure the wall thickness including furring strips.

If a Vinyl Siding Standoff is required (it must be used with vinyl siding), measure to outside surface of wall without siding and add 2 inches.

**When using Rigid Vent other than Simpson Dura-Vent, 3 screws must be used to secure rigid pipe to adaptor.**

**WARNING:**

Do not combine venting components from different venting systems.

Use of the the AstroCap XL™ and FPI Riser is acceptable with all systems.

This product has been evaluated by Intertek for using a Rigid Pipe Adaptor in conjunction with Duravent Direct-Vent GS and Selkirk Direct-Temp systems. Use of these systems with the Rigid Pipe adaptor is deemed acceptable and does not affect the Intertek WHI listing of components.

The FPI AstroCap XL™ is certified for installations using FPI venting systems as well as Simpson Dura-Vent® Direct Vent GS and Selkirk Direct-Temp. AstroCap XL™ is a proprietary trademark of FPI Fireplace Products International Ltd. Dura-Vent® and Direct Vent GS are registered and/or proprietary trademarks of Simpson Dura-Vent Co. Inc.

# INSTALLATION

## RIGID PIPE VENTING COMPONENTS LIST

Simpson Dura-Vent components are available directly from FPI.

| Description                       | Simpson Dura-Vent<br>Direct VentGS® | Selkirk<br>Direct-Temp™ |
|-----------------------------------|-------------------------------------|-------------------------|
| 6" Pipe Length, Galvanized        | 1208                                | 5DT-6                   |
| 9" Pipe Length, Galvanized        | 1207                                | 5DT-9                   |
| 12" Pipe Length, Galvanized       | 1206                                | 5DT-12                  |
| 18" Pipe Length, Galvanized       | N/A                                 | 5DT-18                  |
| 24" Pipe Length, Galvanized       | 1204                                | 5DT-24                  |
| 36" Pipe Length, Galvanized       | 1203                                | 12DT-36                 |
| 48" Pipe Length, Galvanized       | 1202                                | 5DT-48                  |
| Adjustable Length, 11"-14", Galv. | 1211                                | 5DT-AJ                  |
| 45° Elbow, Galvanized             | 1245                                | 5DT-EL45                |
| 90° Elbow, Galvanized             | 1290                                | 5DT-EL90S               |
| Ceiling Support                   | 1240                                | 5DT-CS                  |
| Cathedral Support Box             | 1241                                | 5DT-CSS                 |
| Wall Support/Band                 | 1288                                | 5DT-WS/B                |
| Offset Support                    | 1289                                | 5DT-OS                  |
| Wall Thimble                      | 1247                                | 5DT-WT                  |
| Firestop Spacer                   | 1263                                | 5DT-FS                  |
| Trim Plate, Black                 | N/A                                 | 5DT-TP                  |
| High Wind Vertical Cap            | 1291                                | 5DT-VC                  |
| High Wind Horizontal Cap          | 1285                                | 5DT-HC                  |
| Storm Collar                      | 1253                                | 5DT-SC                  |
| Adjustable Flashing, 0/12-6/12    | 1243                                | 5DT-AF6                 |
| Adjustable Flashing, 6/12-12/12   | 1243S                               | 5DT-AF12                |
| Vinyl Siding Standoff             | 1250                                | 5DT-VS                  |
| Snorkel Termination 14"           | 1282                                | 5DT-ST14                |
| Snorkel Termination 36"           | 1281                                | 5DT-ST36                |

|           |  |           |                            |
|-----------|--|-----------|----------------------------|
| FPI       |  | 946-623/P | AstroCap XL Horizontal Cap |
| 946-604/P | Vent Guard (Optional)                                      |           |                            |
| 770-994   | Rigid Pipe Adaptor <b>(Must use with all Rigid Piping)</b> |           |                            |

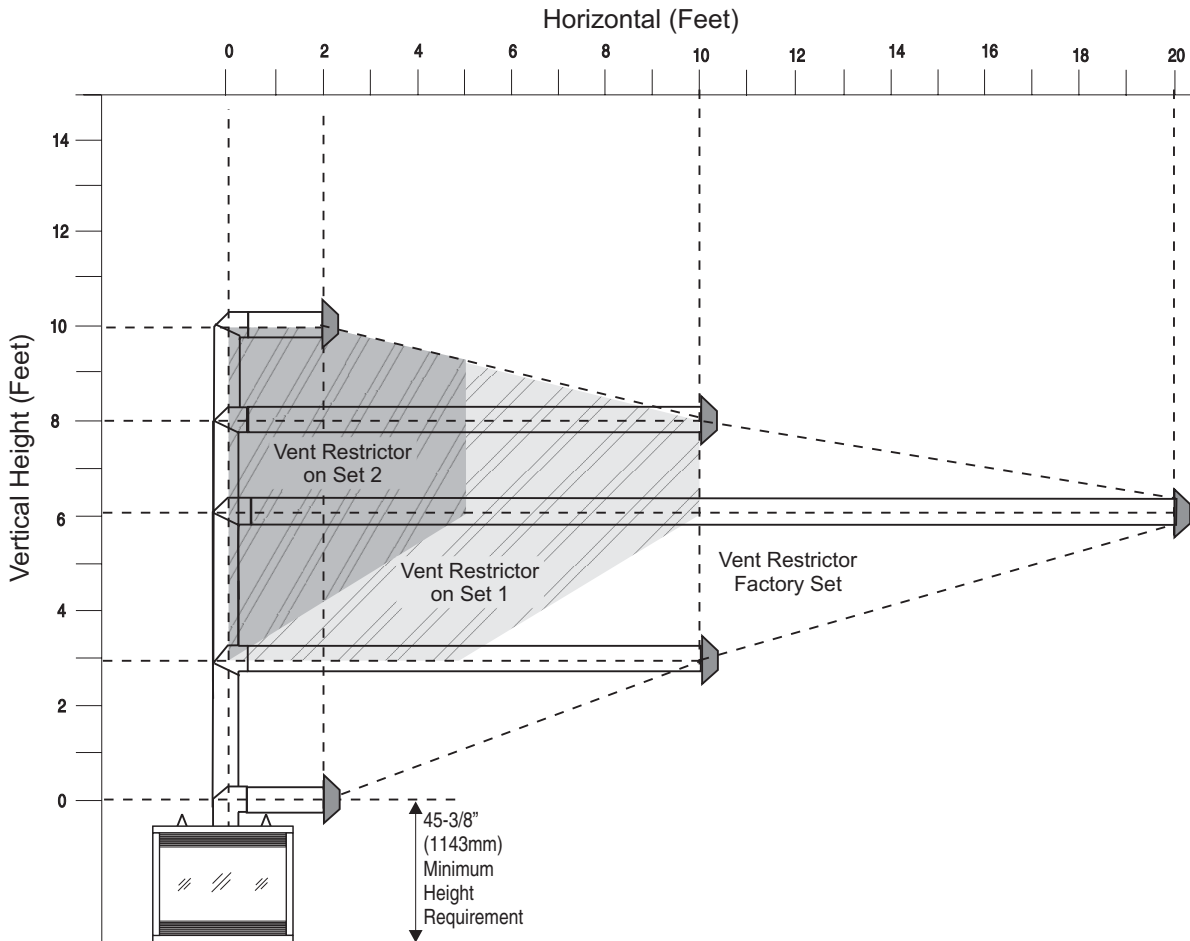


## VENTING ARRANGEMENTS

### ALLOWABLE HORIZONTAL TERMINATIONS

The diagram shows all allowable combinations of vertical runs with horizontal terminations, one 90° elbow (two 45° elbows equal one 90° elbow).

**Note:** Must use optional rigid pipe adapter (Part # 770-994) when using any Rigid Vent System (ie. Simpson Dura-Vent pipe).



Refer to "Vent Restrictor Position" section for details on how to change the vent restrictor to Set 1 or Set 2 if required. A vent guard maybe required as per local codes, refer to "Exterior Vent Termination Requirements" section for details.

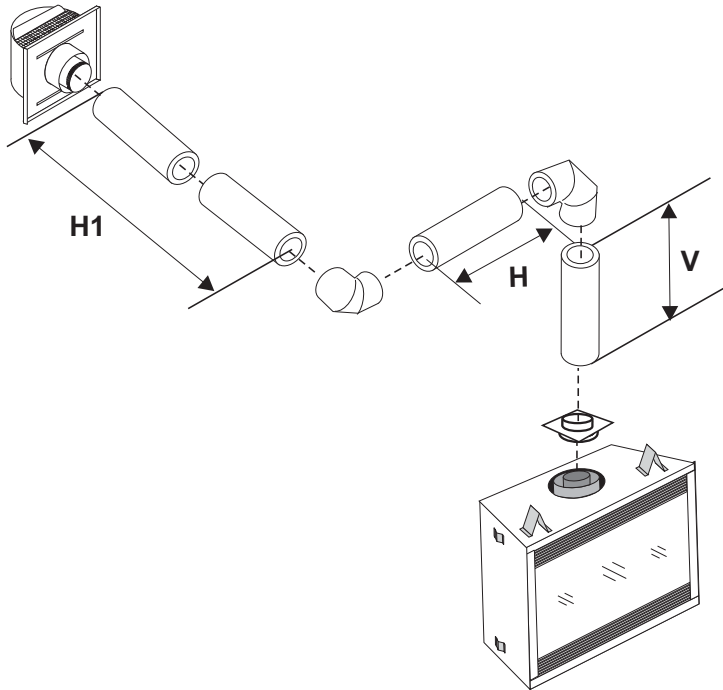
**Note:** Regency® Direct Vent System (Flex) is only approved for horizontal terminations.

- Maintain clearances to combustibles as listed in "Clearances" section
- Horizontal vent must be supported every 3 feet.
- Firestops are required at each floor level and whenever passing through a wall.
- A wall thimble is required for all horizontal terminations.

# INSTALLATION

## Horizontal Venting with Two (2) 90° Elbows

One 90° elbow = Two 45° elbows.



| Option | V       | H + H1  | With these options, maximum total pipe length is 30 feet with minimum of 6 feet total vertical and maximum 8 feet total horizontal. |
|--------|---------|---------|---|
| A)     | 2' Min. | 2' Max. |   |
| B)     | 3' Min. | 5' Max. |   |
| C)     | 4' Min. | 6' Max. |   |
| D)     | 5' Min. | 7' Max. |   |
| E)     | 6' Min. | 8' Max. |   |

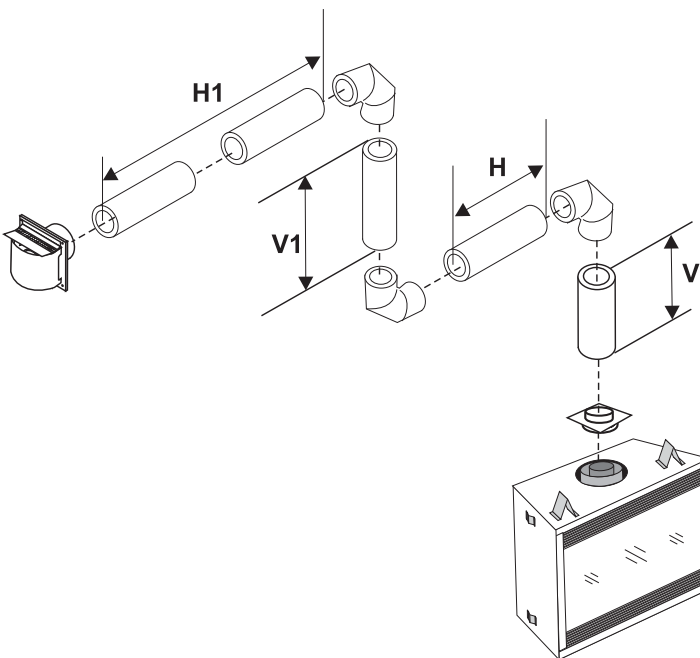
### VENT RESTRICTOR SETTING:

When total vertical exceeds total horizontal by 2x the vent restrictor setting is set to 1.

Please note minimum 1 foot between 90° elbows is required.

## Horizontal Venting with Three (3) 90° Elbows

One 90° elbow = Two 45° elbows.



| Option | V       | H       | V + V1   | H + H1  | With these options, max. total pipe length is 30 feet with min. of 12 feet total vertical and max. 9 feet total horizontal.<br><br>Please note min. 1 foot between 90° elbows is required. |
|--------|---------|---------|----------|---------|--|
| A)     | 0' Min. | 1' Max. | 1' Min.  | 1' Max. |  |
| B)     | 1' Min. | 2' Max. | 3' Min.  | 3' Max. |  |
| C)     | 2' Min. | 2' Max. | 5' Min.  | 4' Max. |  |
| D)     | 3' Min. | 2' Max. | 7' Min.  | 5' Max. |  |
| E)     | 4' Min. | 3' Max. | 9' Min.  | 6' Max. |  |
| F)     | 5' Min. | 4' Max. | 10' Min. | 7' Max. |  |
| G)     | 6' Min. | 5' Max. | 11' Min. | 8' Max. |  |
| H)     | 7' Min. | 6' Max. | 12' Min. | 9' Max. |  |

### VENT RESTRICTOR SETTING:

When total vertical exceeds total horizontal by 3x the vent restrictor setting is set to 1.

## Vertical Venting with Two (2) 90° Elbows

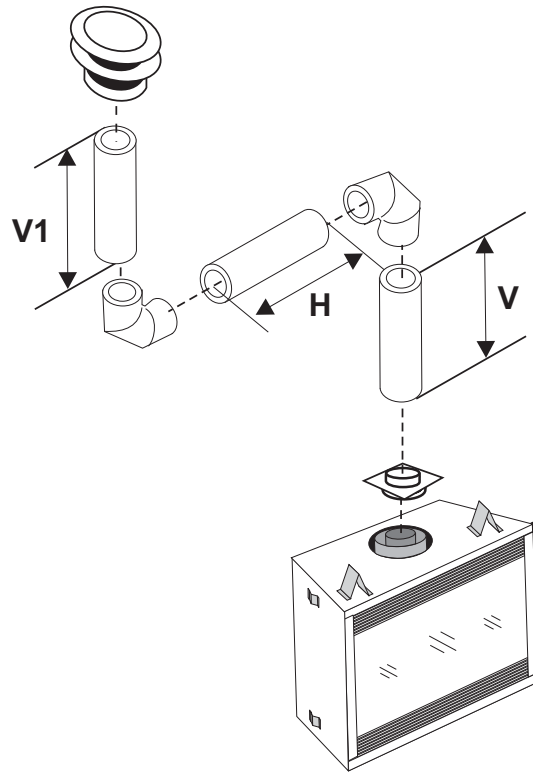
One 90° elbow = Two 45° elbows.

| Option | V       | H       | V + V1  |  |
|--------|---------|---------|---------|--|
| A)     | 0' Min. | 2' Max. | 1' Min. | With these options, max. total pipe length is 30 feet with min. of 6 feet total vertical and max. 8 feet total horizontal.<br><br><i>Please note min. 1 foot between 90° elbows is required.</i> |
| B)     | 1' Min. | 4' Max. | 2' Min. |  |
| C)     | 2' Min. | 5' Max. | 3' Min. |  |
| D)     | 3' Min. | 6' Max. | 4' Min. |  |
| E)     | 4' Min. | 7' Max. | 5' Min. |  |
| F)     | 5' Min. | 8' Max. | 6' Min. |  |

**VENT RESTRICTOR SETTING:**

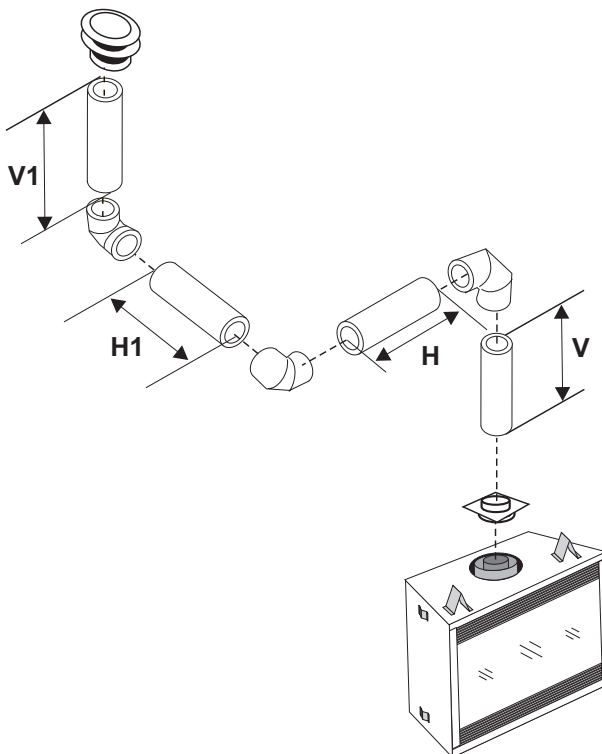
When total vertical exceeds total horizontal by 2x the vent restrictor setting is set to 1.

For additional vertical venting with 2 x 90° elbows, refer to next page.



## Vertical Venting with Three (3) 90° Elbows

One 90° elbow = Two 45° elbows.



| Option | V       | H + H1  | V + V1   |   |
|--------|---------|---------|----------|---|
| A)     | 0' Min. | 2' Max. | 3' Min.  | With these options, max. total pipe length is 30 feet with min. of 10 feet total vertical and max. 8 feet total horizontal.<br><br><i>Please note min. 1 foot between 90° elbows is required.</i> |
| B)     | 1' Min. | 2' Max. | 3' Min.  |   |
| C)     | 2' Min. | 3' Max. | 4' Min.  |   |
| D)     | 3' Min. | 4' Max. | 6' Min.  |   |
| E)     | 4' Min. | 5' Max. | 7' Min.  |   |
| F)     | 5' Min. | 6' Max. | 8' Min.  |   |
| G)     | 6' Min. | 7' Max. | 9' Min.  |   |
| H)     | 7' Min. | 8' Max. | 10' Min. |   |

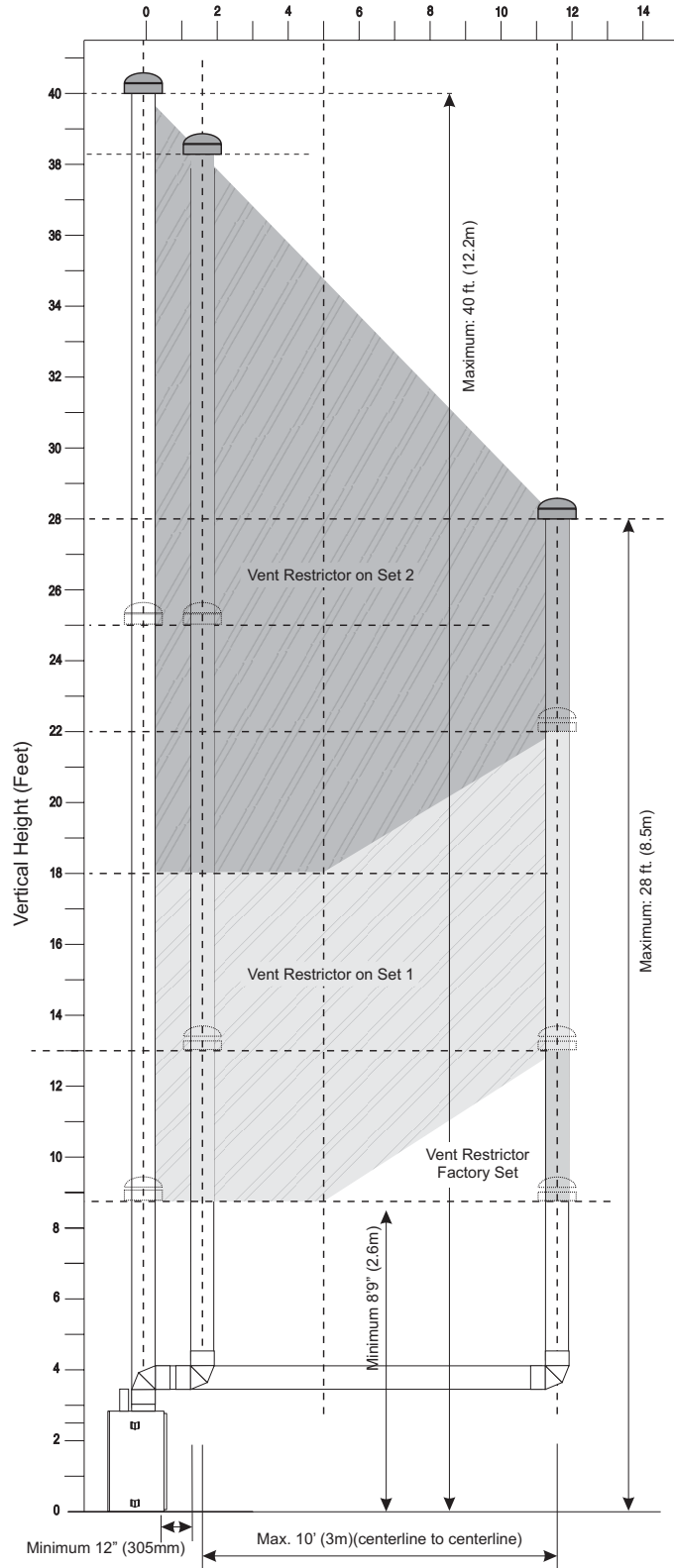
**VENT RESTRICTOR SETTING:**

When total vertical exceeds total horizontal by 3x the vent restrictor setting is set to 1.

## VENTING ARRANGEMENTS

### ALLOWABLE VERTICAL TERMINATIONS

The shaded area in the diagram shows all allowable combinations of straight vertical and offset to vertical terminations, using two 90° elbows, with **Rigid Pipe Venting Systems** for Propane and Natural Gas. Two 45° elbows equal to one 90° elbow. Maximum of four 45° elbows allowed.



- Vent must be supported at offsets.
- Firestops are required at each floor level and whenever passing through a wall.
- Maintain clearances to combustibles as listed in the "Clearances" section.
- Refer to "Vent Restrictor Position" section for details on how to change the vent restrictor to Set 1 or Set 2 if required.

**Note:** Must use optional flue adapter when using Rigid Pipe (Part # 770-994).

## UNIT INSTALLATION WITH HORIZONTAL TERMINATION (Rigid Vent Systems)

Install the vent system according to the manufacturer's instructions included with the components.

- 1) Set the unit in its desired location. Check to determine if wall studs or roof rafters are in the way when the venting system is attached. If this is the case, you may want to adjust the location of the unit. Rough in the gas preferably on the right side of the unit and the electrical (junction block is on the left side) on the left.
- 2) Direct Vent pipe and fittings are designed with special twist-lock connections to connect the venting system to the appliance flue outlet. A twist-lock appliance adaptor is required.
- 3) In conjunction with the Simpson Dura-Vent Direct Vent GS system. Install the adaptor after the unit is set in its desired location. Put a bead of high temperature silicone inside the outer section of the adaptor and a bead of Mill Pack on the inner collar. Slip the adaptor over the existing inner and outer flue collar. Fasten to the outer collar only with the 3 supplied screws (drilling pilot holes will make this easier).
- 4) Level the fireplace and fasten it to the framing using nails or screws through the top and side nailing strips.
- 5) Assemble the desired combination of pipe and elbows to the appliance adaptor and twist-lock for a solid connection.

**Note: Apply sealant "Mill-Pac" to inner pipe and high temp silicone sealant to outer pipe on every twist-lock joint.**

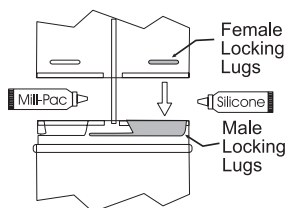


Diagram 1

Horizontal runs of vent must be supported every 3 feet (0.9meter). Wall straps are available for this purpose.

- 6) Mark the wall for a 11" x 11" (279mm x 279mm) square hole. The center of the square hole should line up with the center-line of the horizontal pipe. Cut and frame the 11 inch (279mm) square hole in the exterior wall where the vent will be terminated. See diagram 2 for center line requirements.

If the wall being penetrated is constructed of non-combustible material, i.e. masonry block or concrete, an 8" (203mm) diameter hole is acceptable.

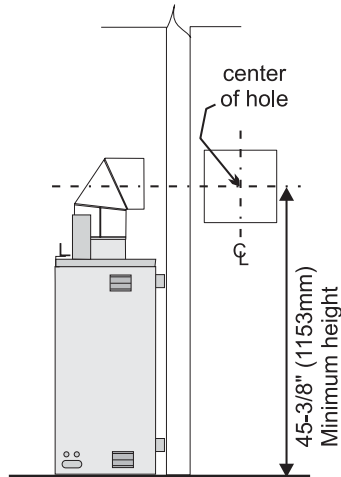


Diagram 2

**Note:**

- a) The horizontal run of vent must be level, or have a 1/4 inch rise for every 1 foot of run towards the termination. Never allow the vent to run downward. This could cause high temperatures and may present the possibility of a fire. **The arrow on the vent cap should be pointing up.**
- b) The location of the horizontal vent termination on an exterior wall must meet all local and national building codes, and must not be blocked or obstructed. See "Exterior Vent Termination Locations"

- 7) Insure that the 1-1/4"(32mm) pipe clearances to combustibles materials are maintained (Diagram 5). Install the termination cap.

**Note: If installing termination on a vinyl siding covered wall, a vinyl siding standoff or furring strips must be used to ensure that the termination is not recessed into the siding.**

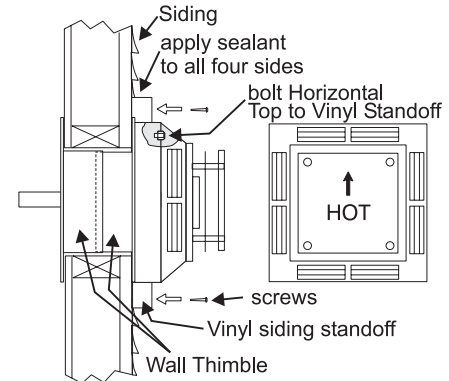


Diagram 5

The four wood screws provided should be replaced with appropriate fasteners for stucco, brick, concrete, or other types of sidings.

- 8) Before connecting the horizontal run of vent pipe to the vent termination, slide the Wall Thimble (Part # 1247) over the vent pipe, required in Canada.
- 9) Slide the appliance and vent assembly towards the wall carefully inserting the vent pipe into the vent cap assembly. It is important that the vent pipe extends into the vent cap sufficient distance so as to result in a minimum pipe overlap of 1-1/4 inches (32mm). Secure the connection between the vent pipe and the vent cap by attaching the two sheet metal strips extending from the vent cap assembly into the outer wall of the vent pipe. Use the two sheet metal screws provided to connect the strips to the pipe section. See Diagram 6.

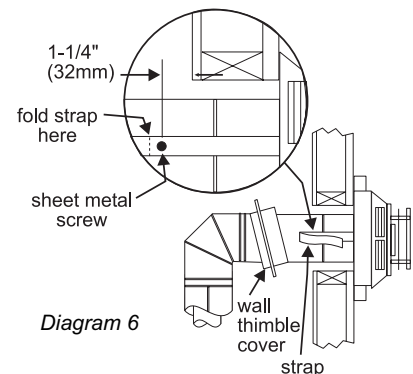


Diagram 6

- 10) Install wall thimble in the center of the 11" (279mm) square and attach with wood screws (Diagram 7).

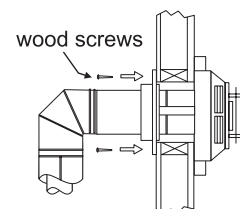
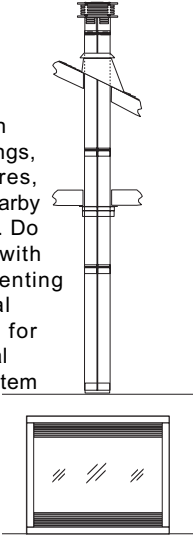


Diagram 7

# INSTALLATION

## UNIT INSTALLATION WITH VERTICAL TERMINATION (Rigid Vent Systems)

- 1) Maintain the 1-1/4" (32mm) clearances (air spaces) to combustibles when passing through ceilings, walls, roofs, enclosures, attic rafter, or other nearby combustible surfaces. Do not pack air spaces with insulation. Check "Venting Arrangement - Vertical Termination" section for the maximum vertical rise of the venting system and the maximum horizontal offset limitations.



- 2) Set the gas appliance in its desired location. Drop a plumb bob from the ceiling to the position of the appliance flue exit, and mark the location where the vent will penetrate the ceiling. Drill a small hole at this point. Next, drop a plumb bob from the roof to the hole previously drilled in the ceiling, and mark the spot where the vent will penetrate the roof. Determine if ceiling joists, roof rafters or other framing will obstruct the venting system. You may wish to relocate the appliance or to offset, as shown in Diagram 2 to avoid cutting load bearing members.

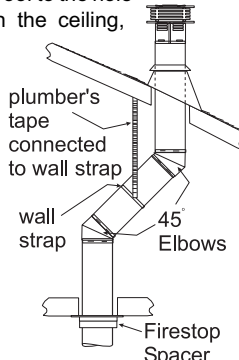


Diagram 2

- 3) A Firestop spacer must be installed in the floor or ceiling of every level.

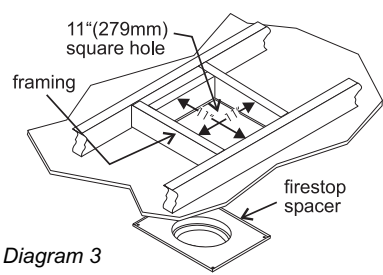
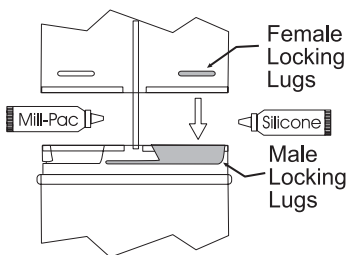


Diagram 3

- 4) Assemble the desired lengths of pipe and elbows. Ensure that all pipes and elbow connections are in the fully twist-locked position and sealed.

**Note:** Apply sealant "Mill-Pac" to inner pipe and high temp silicone sealant to outer pipe on every twist-lock joint.



- 5) Cut a hole in the roof centered on the small drilled hole placed in the roof in Step 2. The hole should be of sufficient size to meet the minimum requirements for clearance to combustibles of 1-1/4"(32mm). Slip the flashing under the shingles (shingles should overlap half the flashing) as per Diagram 4.

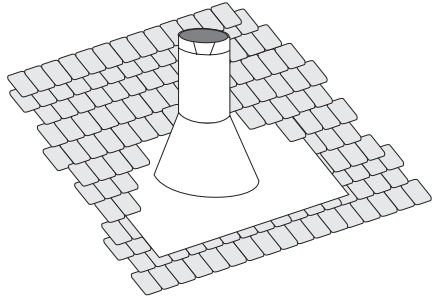


Diagram 4: The upper half of the flashing is installed under the roofing material and not nailed down until the chimney is installed. This allows for small adjustments.

- 6) Continue to assemble pipe lengths.

**Note:** If an offset is necessary in the attic to avoid obstructions, it is important to support the vent pipe every 3 feet (0.9 meter), to avoid excessive stress on the elbows, and possible separation. Wall straps are available for this purpose (Diagram 2).

Galvanized pipe is desirable above the roofline due to its higher corrosion resistance. Continue to add pipe sections through the flashing until the height of the vent cap meets the minimum height requirements specified in Diagram 5 or local codes. Note that for steep roof pitches, the vertical height must be increased.

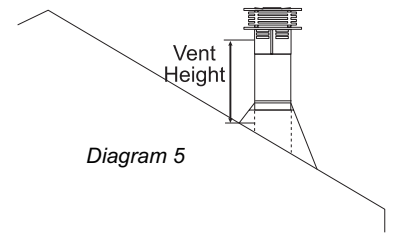


Diagram 5

| Roof Pitch          | Minimum Vent Height |        |
|---------------------|---------------------|--------|
|                     | Feet                | Meters |
| flat to 7/12        | 2                   | 0.61   |
| over 7/12 to 8/12   | 2                   | 0.61   |
| over 8/12 to 9/12   | 2                   | 0.61   |
| over 9/12 to 10/12  | 2.5                 | 0.76   |
| over 10/12 to 11/12 | 3.25                | 0.99   |
| over 11/12 to 12/12 | 4                   | 1.22   |
| over 12/12 to 14/12 | 5                   | 1.52   |
| over 14/12 to 16/12 | 6                   | 1.83   |
| over 16/12 to 18/12 | 7                   | 2.13   |
| over 18/12 to 20/12 | 7.5                 | 2.29   |

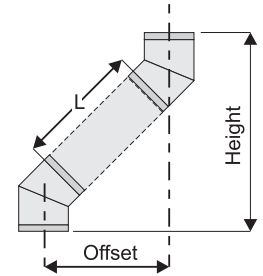
A poor draft, or down drafting can result from high wind conditions near big trees or adjoining roof lines, in these cases, increasing the vent height may solve the problem.

- 7) Ensure vent is vertical and secure the base of the flashing to the roof with roofing nails, slide storm collar over the pipe section and seal with a mastic.
- 8) Install the vertical termination cap by twist-locking it.

**Note:** Any closets or storage spaces, which the vent passes through must be enclosed.

### Offset Chart

| GS 8"(203mm) Nominal Diameter ID |     |                 |      |        |      |
|----------------------------------|-----|-----------------|------|--------|------|
| Offset                           |     | Pipe Length (L) |      | Height |      |
| inches                           | mm  | inches          | mm   | inches | mm   |
| 4 3/4                            | 121 | 0               | 0    | 13 1/4 | 337  |
| 9                                | 229 | 6               | 152  | 17 1/2 | 445  |
| 11 1/4                           | 286 | 9               | 229  | 19 1/2 | 495  |
| 13 1/4                           | 337 | 12              | 305  | 21 3/4 | 552  |
| 21 3/4                           | 552 | 24              | 610  | 30 1/4 | 768  |
| 30 1/4                           | 768 | 36              | 914  | 39     | 991  |
| 38                               | 965 | 48              | 1219 | 47     | 1194 |

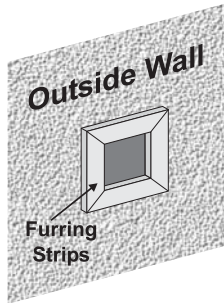




## UNIT INSTALLATION HORIZONTAL TERMINATION WITH FLEX VENT SYSTEM

- 1) Locate the unit in the framing, rough in the gas (preferably on the right side of the unit) and the electrical (Junction block is on the left side) on the left. Locate the centerline of the termination and mark wall accordingly. Cut an 11"(279mm) hole in the wall (inside dimension).

**Note:** A top clearance of 2-1/2"(64mm) and side & bottom clearance of 1-1/2"(38mm) must be maintained except that only a 1"(25mm) clearance is needed at the termination end. We recommend framing a 11"(279mm) x 11"(279mm) (inside dimensions) hole to give structural rigidity for mounting the termination.



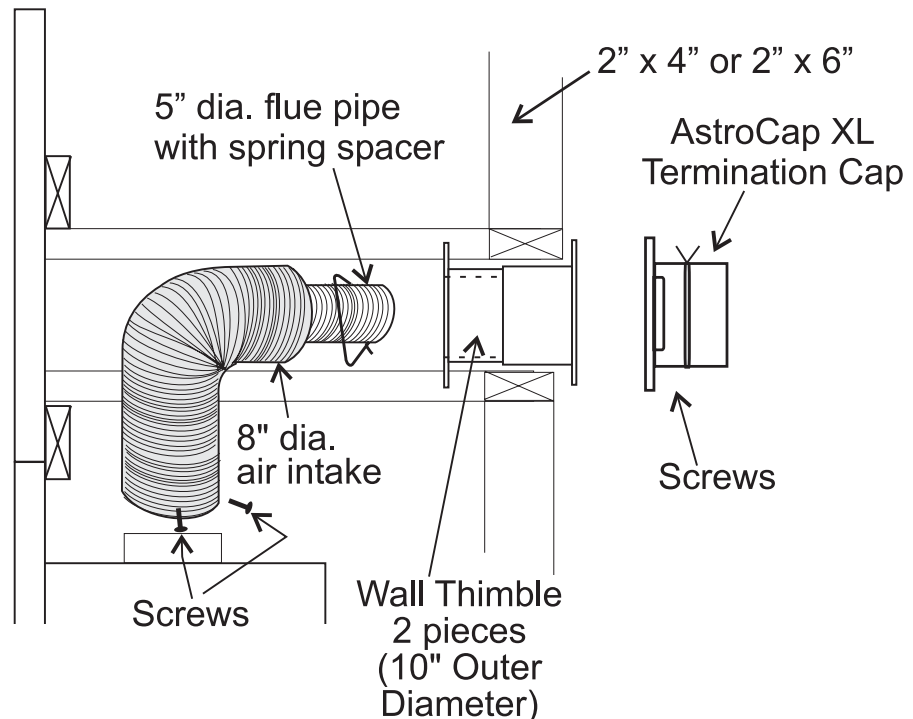
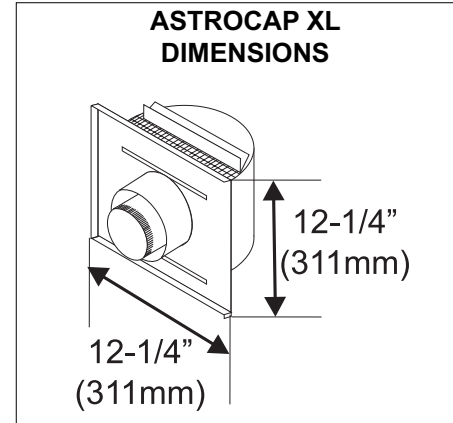
**Note:** If installing termination on a siding covered wall, a vinyl siding standoff or vinyl furring strips must be used to ensure that the termination is not recessed into the siding.

- 2) Level the fireplace and fasten it to the framing using nails or screws through the nailing strips.
- 3) Assemble the vent assembly by applying Mill Pac to the 5"(127mm) inner collar of the termination and slipping the 5"(127mm) liner over it at least 1-3/8" (35mm). Fasten with the 3 screws (drilling pilot holes will make this easier). Apply Mill Pac or high temperature silicone to the 8"(203mm) flex pipe and slip it over the 8" outer collar of the vent terminal at least 1-3/8" (35mm) and fasten with the 3 screws.

**NOTE:** Horizontal sections must be supported at intervals not exceeding 3 feet (0.9 meter). (Flame picture and performance will be affected by sags in the liner).

- 4) Separate the 2 halves of the wall thimble and securely fasten the one with the tabs to the outside wall making sure that the tabs are on top and bottom. Fasten the other thimble half to the inside wall. The thimble halves slip inside each other and can be adjusted for 2 x 4 or 2 x 6 walls.
- 5) Slip the assembled liner and termination assembly through the thimble making sure the termination cap faces up (there are markings on the cap that show which way is up). This will position the termination cap with proper down slope for draining water. Fasten the cap to the outer wall with the 4 supplied screws.
- 6) Pull the centre 5"(127mm) liner and outer 8"(203mm) liner out enough to slip over the flue collars of the fireplace. (You may wish to cut the liner shorter to make it more workable.) Do not bend liner more than 90°. **The liners must slip over the collars a minimum of 1-3/8".**
- 7) Apply Mill Pac over the fireplace inner collar and slip the 5"(127mm) liner down over it and attach with 3 supplied screws.
- 8) Do the same with the 8"(203mm) liner.
- 9) Apply a bead of silicone between the thimble and termination and around the outer edge of the terminal at the wall in order to keep the water out.

**IMPORTANT:** Do not locate termination hood where excessive snow or ice buildup may occur. Be sure to check vent termination area after snow falls, and clear to prevent accidental blockage of venting system. When using snow blowers, make sure snow is not directed towards vent termination area.



# INSTALLATION

| P40-NG SYSTEM DATA  |                  |
|---|------------------|
| For 0 to 4500 feet altitude   |                  |
| Front Burner Orifice:   | #44              |
| Back Burner Orifice:  | #35              |
| Max. Input Rating   | 45,000 Btu/h     |
| Min. Input Rating   | 13,000 Btu/h     |
| Supply Pressure   | min.5.0" w.c.    |
| Manifold Pressure (High)  | 3.5"+/- 0.3"w.c. |
| Log Set: Ceramic fibre,<br>8 per set + ember bed.   |                  |
| Vent System: Simpson Dura-Vent Direct Vent System, Regency® Flex Kit, Selkirk Direct-Temp |                  |
| P40-LP SYSTEM DATA  |                  |
| Conversion Kit# 502-969   |                  |
| For 0 to 4500 feet altitude   |                  |
| Front Burner Orifice:   | #55              |
| Back Burner Orifice:  | #53              |
| Max. Input Rating   | 43,000 Btu/h     |
| Min. Input Rating   | 12,000 Btu/h     |
| Supply Pressure   | min.12.0" w.c.   |
| Manifold Pressure (High)  | 10"+/- 0.5" w.c. |
| Log Set: Ceramic fibre,<br>8 per set + ember bed.   |                  |
| Vent System: Simpson Dura-Vent Direct Vent System, Regency® Flex Kit, Selkirk Direct-Temp |                  |

## GAS LINE INSTALLATION

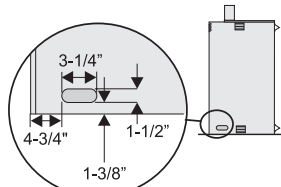
The gas line can be brought through the bottom right of the appliance. The gas valve is situated on the bottom of the unit.

The gas line connection may be made of rigid pipe, copper pipe or an approved flex connector. (If you are using rigid pipe, ensure that the valve can be removed for servicing.) Since some municipalities have additional local codes it is always best to consult with your local authorities and the CAN/CGA B149 installation code.

For USA installations follow local codes and/or the current National Fuel Gas Code, ANSI Z223.1.

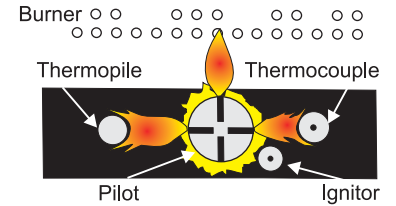
When using copper or flex connectors use only approved fittings. Always provide a union so that gas lines can be easily disconnected for servicing. Flare nuts for copper lines and flex connectors are usually considered to meet this requirement.

**IMPORTANT: Always check for gas leaks with a soap and water solution or gas leak detector. Do not use open flame for leak testing.**



Opening for gas connection

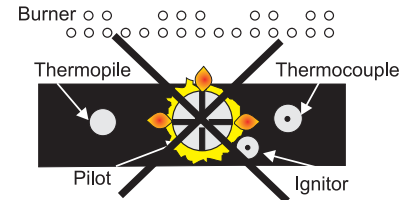
## PILOT ADJUSTMENT



**Periodically check the pilot flames. Correct flame pattern has three strong blue flames: 1 flowing around the thermopile, 1 around the thermocouple and 1 flowing across the burner (it does not have to be touching the burner).**

**Note: If you have an incorrect flame pattern, contact your Regency® dealer for further instructions.**

**Incorrect flame pattern will have small, probably yellow flames, not coming into proper contact with the rear burner or thermopile or thermocouple.**



## HIGH ELEVATION

This unit is approved in Canada for altitude 0 to 4500 ft. (CAN1 2.17-M91).



## GAS PIPE PRESSURE TESTING

The appliance must be isolated from the gas supply piping system by closing its individual manual shut-off valve during any pressure testing of the gas supply piping system at test pressures equal to or less than 1/2 psig. (3.45 kPa). Disconnect piping from valve at pressures over 1/2 psig.

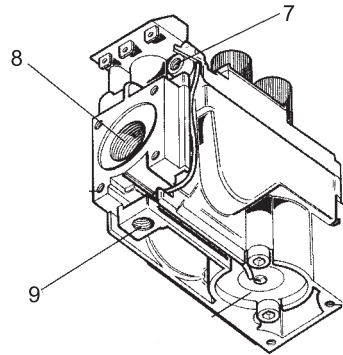
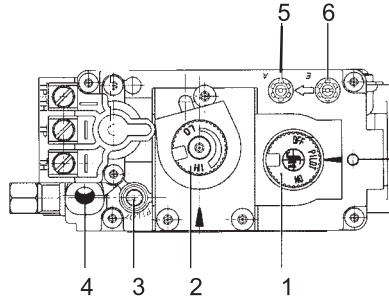
The manifold pressure is controlled by a regulator built into the gas control, and should be checked at the pressure test point.

**Note: To properly check gas pressure, both inlet and manifold pressures should be checked using the valve pressure ports on the valve.**

- 1) Make sure the valve is in the "OFF" position.
- 2) Loosen the "IN" and/or "OUT" pressure tap(s), turning counterclockwise with a 1/8" wide flat screwdriver.
- 3) Attach manometer to "IN" and/or "OUT" pressure tap(s) using a 5/16" ID hose.
- 4) Light the pilot and turn the valve to "ON" position.
- 5) The pressure check should be carried out with the unit burning and the setting should be within the limits specified on the safety label.
- 6) When finished reading manometer, turn off the gas valve, disconnect the hose and tighten the screw (clockwise) with a 1/8" flat screwdriver. **Note: Screw should be snug, but do not over tighten.**

## SIT VALVE DESCRIPTION

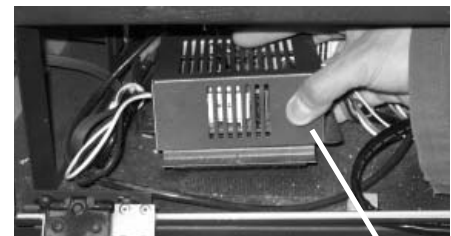
- 1) Gas on/off knob
- 2) Electronically Operated Hi/Lo
- 3) Pilot Adjustment
- 4) Thermocouple Connection - *option*
- 5) Outlet Pressure Tap
- 6) Inlet Pressure Tap
- 7) Pilot Outlet
- 8) Main Gas Outlet
- 9) Alternative TC Connection Point



## BACK-UP BATTERY INSTALLATION (within Power Module)

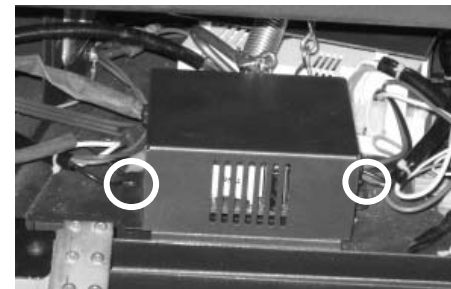
**The 9V battery operates the rear burner and the AA battery operates the DC Sparker for lighting the pilot under power outage conditions.**

- 1) Unplug the power source.
- 2) Remove the Power Module by lifting it up off of the velcro and pull out.

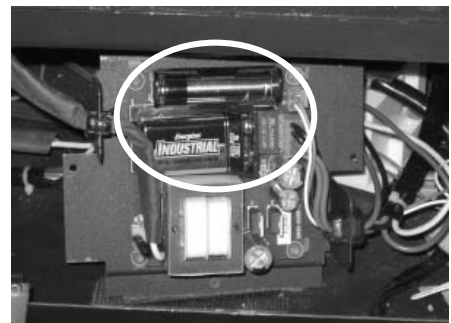


Power Module

- 3) Remove the Power Module cover by removing the 2 screws, one on each side of the box.



- 4) Install the 9V and AA battery.



# INSTALLATION

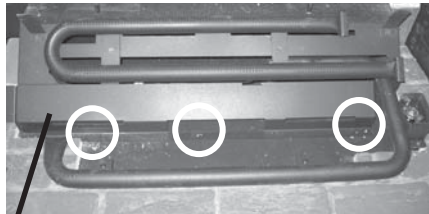
## CONVERSION KIT #502-969 FROM NG TO LP

**THIS CONVERSION MUST BE DONE BY A QUALIFIED GAS FITTER IF IN DOUBT DO NOT DO THIS CONVERSION !!**

### LP Conversion Kit Contains:

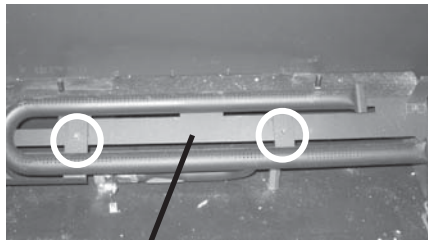
| Qty. | Part #  | Description         |
|------|---------|---------------------|
| 1    | 910-462 | LP Conversion Coil  |
| 1    | 910-037 | LP Pilot Orifice    |
| 1    | 904-345 | Orifice #53         |
| 1    | 904-575 | Orifice #55         |
| 1    | 904-529 | Allen Key           |
| 1    | 918-590 | LP Conversion Decal |
| 1    | 908-528 | Red Propane Label   |
| 1    | 918-587 | Instruction Sheet   |

- 1) Turn control knob to the OFF position; Shut off the gas supply to the valve; Unplug the power source.
- 2) Remove the louvers and the flush door.
- 3) Remove the logs.
- 4) Remove the front air box by undoing the 3 screws.



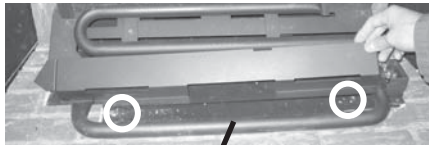
Front Air Box

- 5) Remove the 2 screws on the back burner.



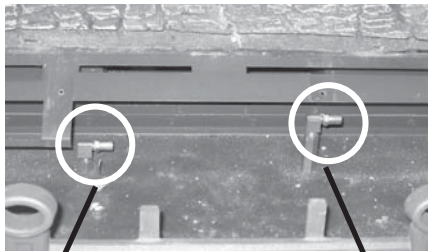
Back Burner

- 6) Slide the burner to the right and lift out.
- 7) Remove the front burner by removing the 2 screws. Lift the burner up and swing to the right and slide out.



Front Burner

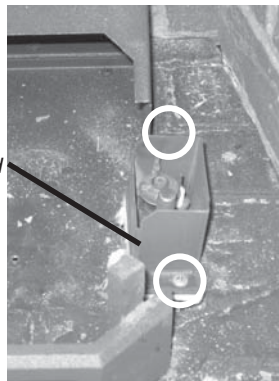
- 8) Replace the rear burner orifice with #53, using a 1/2" wrench. See image below. Use another wrench to hold onto the elbow behind the orifice.
- 9) Replace the front burner orifice with #55, using a 1/2" wrench. See image below. Use another wrench to hold onto the elbow behind the orifice.



Rear Burner Orifice

Front Burner Orifice

- 10) Remove the pilot shield by removing the 2 screws.



Pilot Shield

- 11) Remove the clip from the pilot head assembly using a flat head screw driver to pop out.



Clip

- 12) Remove the NG pilot orifice with the Allen Key and replace with LP pilot orifice. Reattach pilot head and clip.



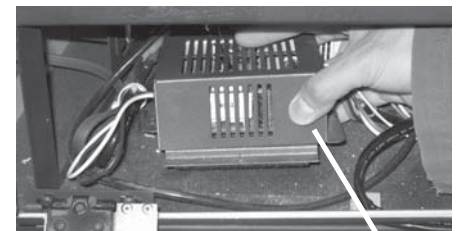
- 13) Re-install pilot shield.

- 14) Set aeration on both front and rear burner for LP gas;
 

|       |       |
|-------|-------|
| Rear  | 5/16" |
| Front | 3/8"  |

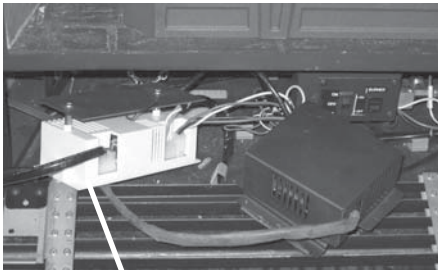
- 15) Reverse steps 7 to 4.

- 16) Remove the Power Module by lifting it up off of the velcro and move it over to the side.



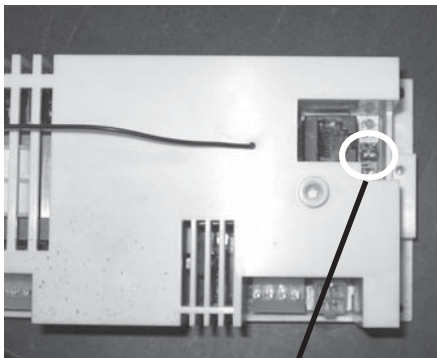
Power Module

- 17) Remove the Control Module, located behind the power module, by lifting it up off of the velcro.



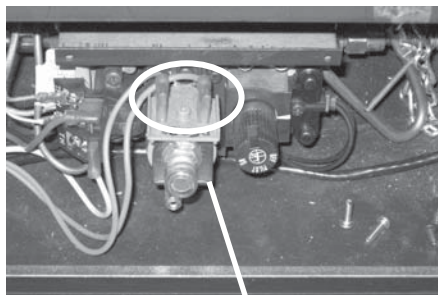
*Control Module*

- 18) Remove the J9 jumper using needle nose pliers, located under the heat shield.



*J9 Jumper*

- 19) Reverse steps 17 and 16. Be careful not to pinch wires.  
20) Remove the 2 wires connected to the modulating coil.



*Modulating Coil*

- 21) Using a Torx T20, or slotted screwdriver, remove and discard the three pressure regulator mounting screws and rubber diaphragm.
- 22) Insure that the new rubber gasket is properly positioned and install the new modulating pressure regulator assembly to the valve using the screws supplied with the kit. Tighten screws securely.
- 23) Reattach 2 wires to modulating coil.
- 24) Install the enclosed identification label to the valve body where it can be easily seen. The label is found in the coil package.
- 25) Attach the LP conversion decal near or on top of the serial # decal located on a metal plate under the unit.
- 26) Replace the yellow "Natural Gas" label with the red "Propane" label on the valve assembly.
- 27) Ensure proper installation of venting is complete, gas line is connected and then turn on power to unit.
- 28) Check for gas leaks.
- 29) Check inlet (12" wc) and outlet (10" wc) pressures.
- 30) Check operation of flame control using the manual control box located on the right side under the firebox.
- 31) Re-install logs and flush door. Check for proper flame appearance and glow on logs.

## WARNING!

This conversion kit should be installed by a qualified service agency in accordance with the authority having jurisdiction. If the information in these instructions are not followed exactly, a fire, explosion or production of carbon monoxide may result causing property damage, personal injury or loss of life. The qualified service agency is responsible for the proper installation of this kit. The installation is not proper and complete until the operation of the converted appliance is checked as specified in the manufacturer's instructions supplied with the kit.

**Installer Notice:**  
These instructions must be left with the appliance.

# INSTALLATION

## BRICK PANEL INSTALLATION

Must install 1 set of brick panels with the P40.

- 1) Unwrap the Brick Panels from the protective wrapping.
- 2) **Ensure that the logs are not in the unit.**
- 3) Place the 2 small Back Brick Panels at the base of the firebox on the left and right side of the burner assembly.

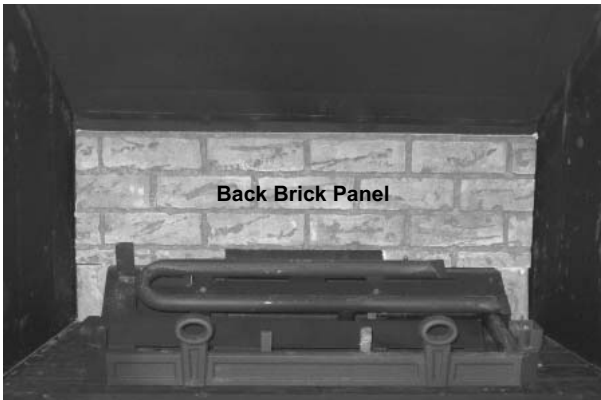
**Note:** Ensure that the full brick pattern is on the bottom and the half brick pattern is on top to line up (approximately) with grout lines on side brick panels.



Left Side Small Back Brick Panel

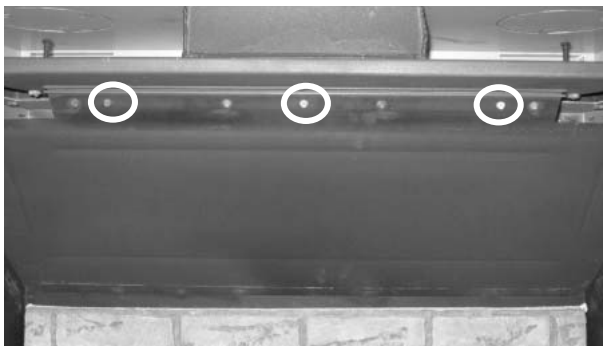
Right Side Small Back Brick Panel

- 4) Insert the Back Brick Panel by slipping it between the back wall of the firebox and the burner assembly, sitting it on the small back brick panels installed in step 3.

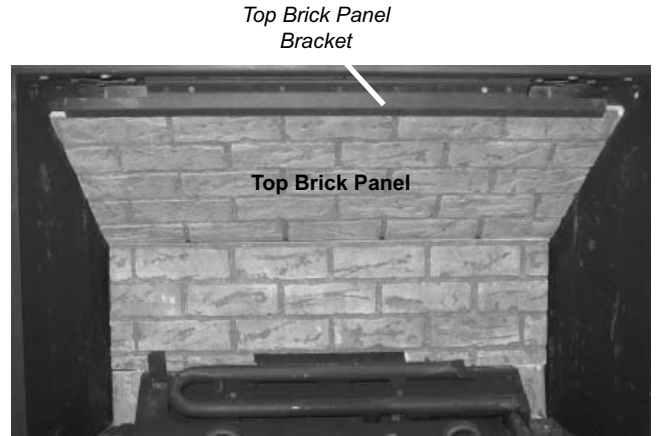


Back Brick Panel

- 5) Remove the Top Brick Panel Bracket by removing the 3 screws.



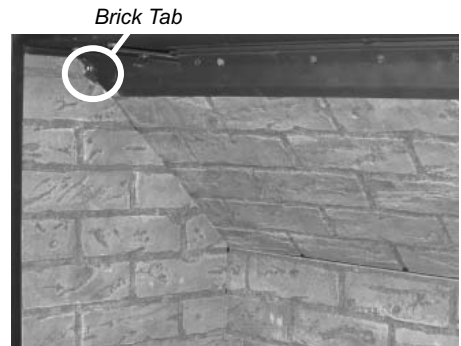
- 6) Place the Top Brick Panel over the back brick panel and secure with the top brick panel bracket.



Top Brick Panel Bracket

Top Brick Panel

- 7) Remove the screw on the left side of the firebox. Place the left side brick panel in position and secure using the brick tab and screw. Repeat for right side brick panel.



Brick Tab

Brick Panels Completely Installed



**IMPORTANT**  
Dangerous operating conditions may occur if the panels are broken.

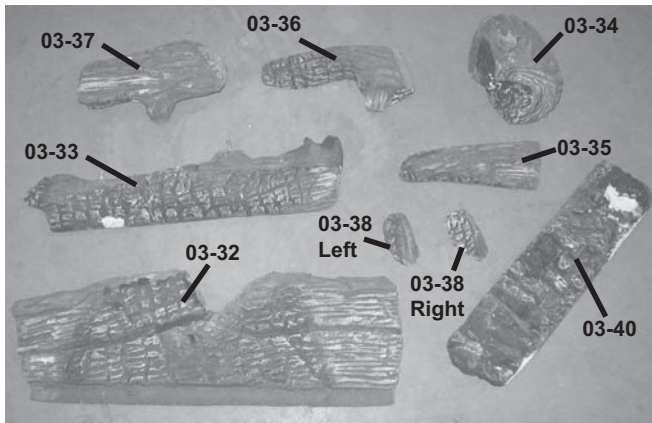


## LOG SET INSTALLATION

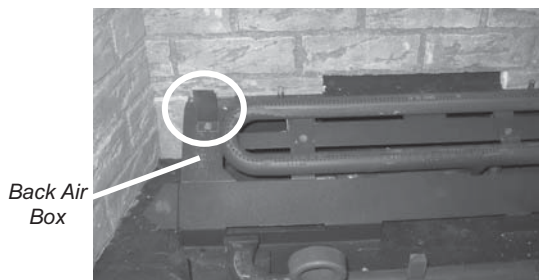
Read the instructions below carefully and refer to the pictures. If the logs are broken do not use the unit until they are replaced. Broken logs can interfere with the pilot operation.

Log kit (Part # 502-930) contains the following pieces:

- a) 03-32 Back Log
- b) 03-40 Ember Bed
- c) 03-34 Front Left Log
- d) 03-33 Middle Back Log
- e) 03-35 Middle Left Cross Log
- f) 03-36 Middle Right Cross Log
- g) 03-37 Front Right Log
- h) 03-38 Right Side Ember Bed
- i) 03-38 Left Side Ember Bed
- j) 902-154 Embers Lava
- k) 902-179 Vermiculite

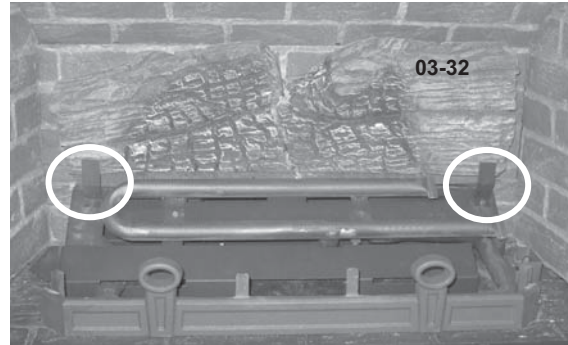


- 1) Carefully remove the logs from the box and unwrap them. The logs are fragile, handle with care - **do not force into position**.
- 2) Remove the brackets on the left and right side of the back air box.

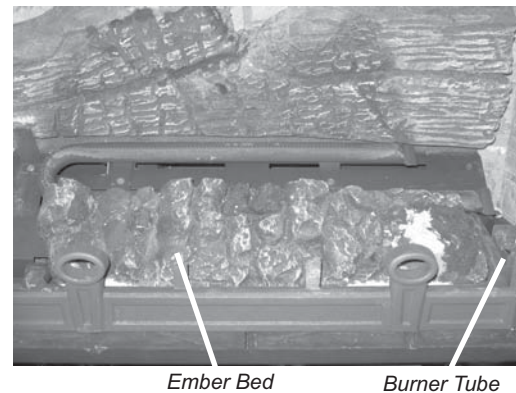
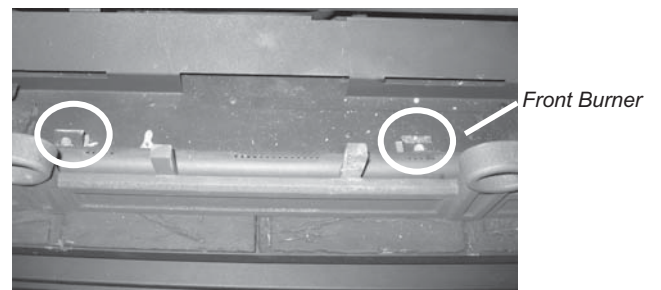


- 3) Fit log 03-32 into the pins on the back air box. Push the log tight against the back brick panel.

- 4) Re-install the brackets removed in step 2 to hold the log in place.



- 5) Place the Ember Bed on the 2 tabs located on the front burner. Then slide the ember bed to the right until it touches the burner tube.

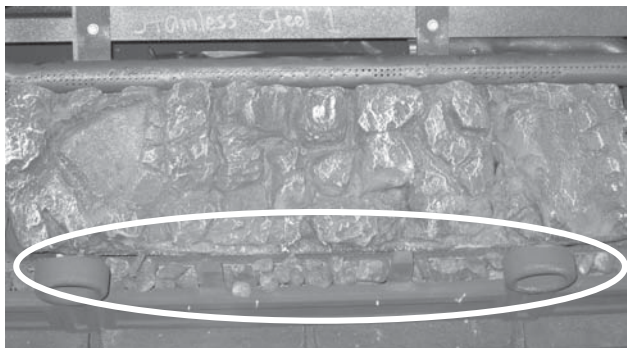


# INSTALLATION

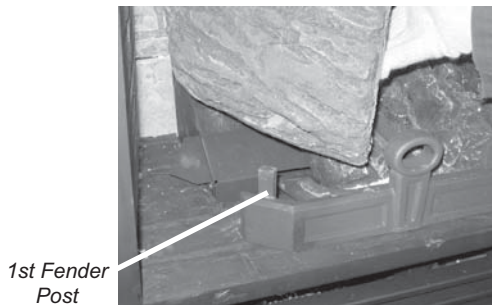
- 6) Spread the embers along the ember tray on the inside of the fender as shown.



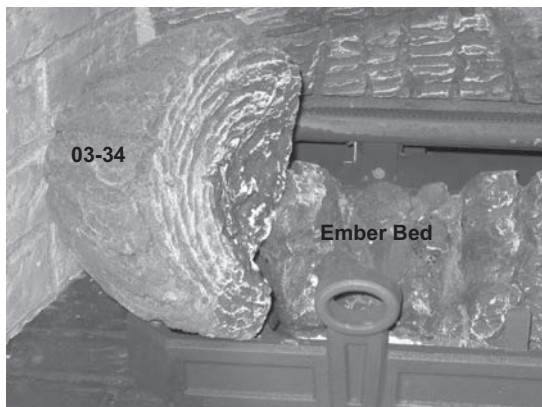
Ember Tray



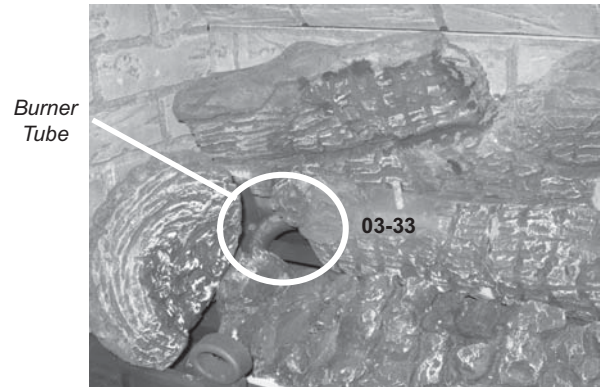
- 7) Fit log 03-34 into the 1st left side Fender Post and rest on the ember bed.



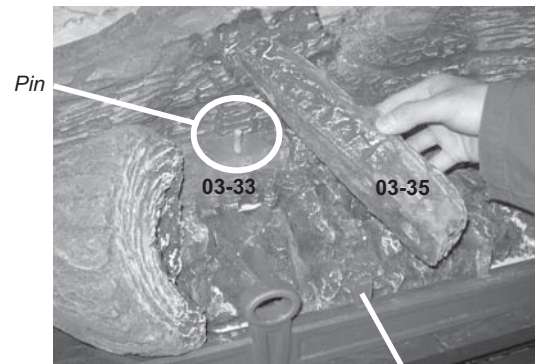
1st Fender Post



- 8) Place log 03-33 on the back burner in between the burner tubes. Slide the log to the left until it touches the end of the burner tube.

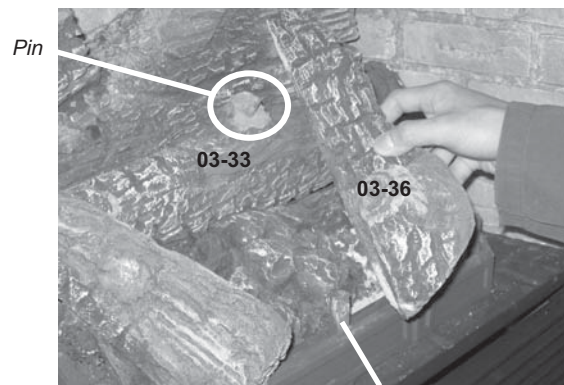


- 9) Place the bottom of log 03-35 onto the 2nd fender post and fit the top of log 03-35 into the pin on the left side of log 03-33.



2nd Fender Post

- 10) Place the end of log 03-36 on the 3rd fender post and fit the top of log 03-36 into the pin on the right side of log 03-33.



3rd Fender Post

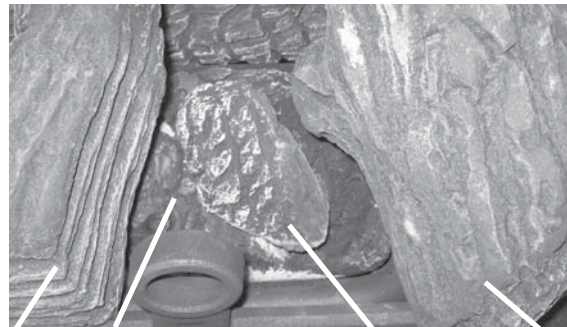


11) Fit log 03-37 on the 4th fender post and rest on the notch in log 03-33.



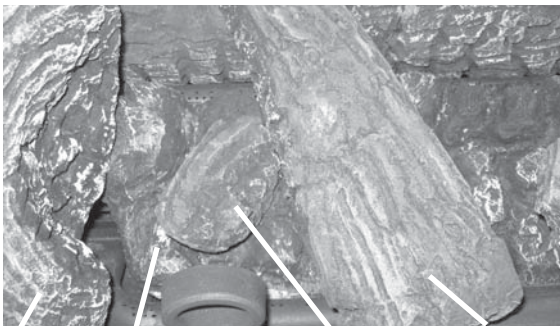
4th Fender Post

13) Place log 03-38 Right on the right side of the ember bed inbetween log 03-37 and log 03-36.



03-36 Ember Bed 03-38 Right 03-37

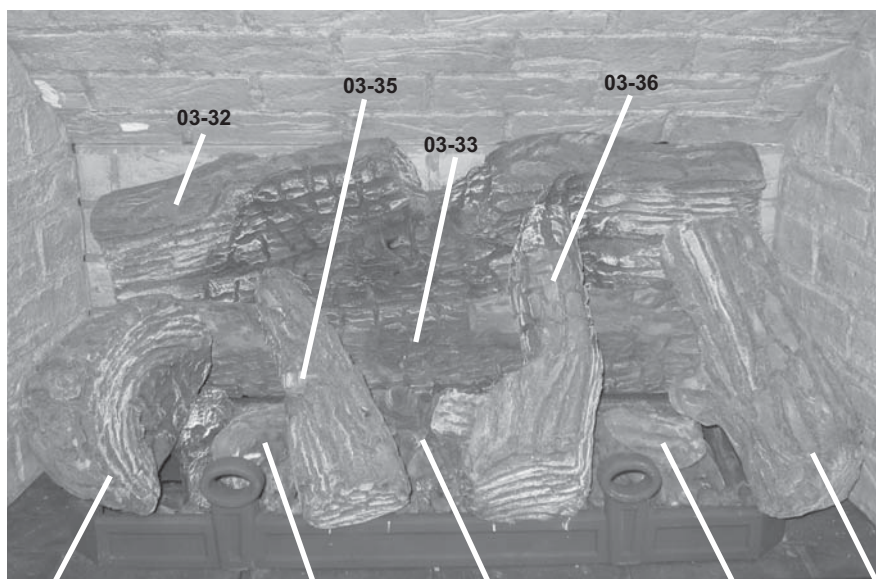
12) Place log 03-38 Left on the left side of the ember bed inbetween log 03-34 and log 03-35.



03-34 Ember Bed 03-38 Left 03-35

14) Spread the bag of vermiculite on the exposed base brick.

## Completed Log Set Installation



03-34 03-38 Left Ember Bed 03-38 Right 03-37

# INSTALLATION

## AERATION ADJUSTMENT

Aeration Adjustment should only be performed by an authorized Regency® Installer at the time of installation or service.

The rear burner aeration is factory set but may need adjusting due to either the local gas supply or altitude.

The rear burner air shutter can be adjusted by moving the air shutter wire. Open (pull) the air shutter wire for a blue flame or close (push) for a more yellow flame.

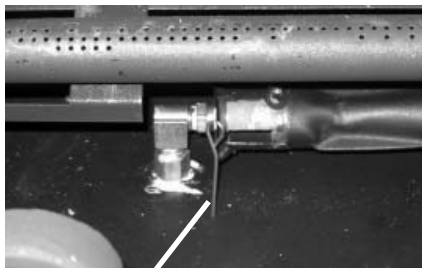
\* The front burner aeration is factory set, do not adjust this setting.

### Minimum Air Shutter Opening:

|    |               |       |
|----|---------------|-------|
| NG | Front Burner* | 1/8"  |
|    | Rear Burner   | 1/4"  |
| LP | Front Burner* | 3/8"  |
|    | Rear Burner   | 5/16" |

**CAUTION:** Carbon will be produced if air shutter is closed too much.

**Note:** Any damage due to carboning resulting from improperly setting the aeration controls is NOT covered under warranty.



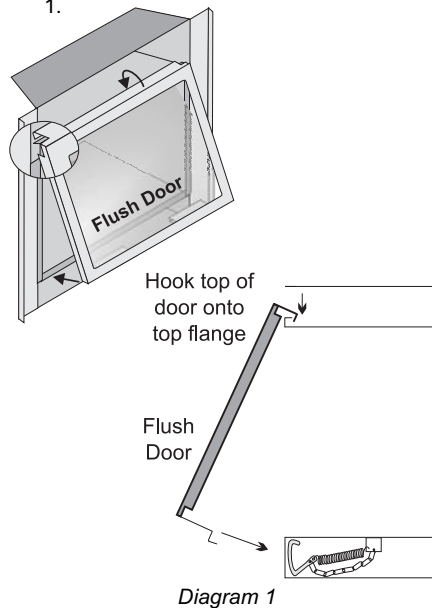
Rear Burner Adjustment Wire

Adjustment Wire - Pull to open or push to close aeration cap.

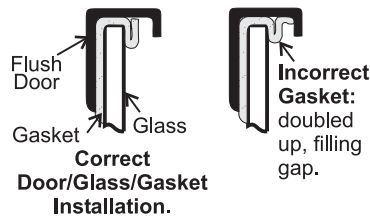
## STANDARD FLUSH DOOR

**NOTE:** Install Finishing Trim prior to installing the Flush Door and Louvers.

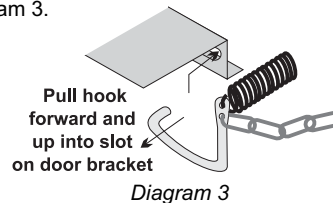
- 1) The standard flush door comes with a black frame. To install the frame, simply hook the top door flange onto the top of the unit and swing the door towards the unit, diagram 1.



- 2) Be careful that the glass gasket does not roll up; there must be a gap between the gasket and the door lip to ensure that the door sits securely on the unit. Diagram 2.



- 3) Use the hook to pull the spring out until you can put the hook into the slot on the bottom door bracket. Repeat for 2nd spring. See diagram 3.



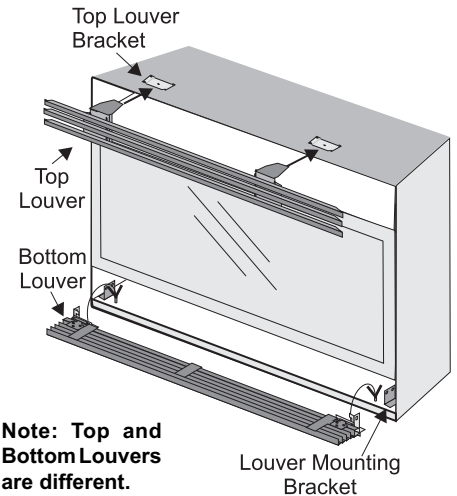
**NOTE:** Springs and chain must always be OVER not under the gas line.

- 4) To remove the flush door, reverse the above steps.

## FLUSH LOUVERS

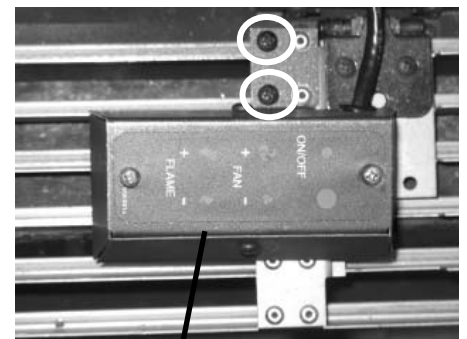
**NOTE:** Install Finishing Trim prior to installing the Flush Door and Louvers.

- 1) Install the top louver by sliding the two bracket clips into the brackets located underneath the top of the firebox.
- 2) Install the bottom louver by securing the louver onto the 2 hinges provided.



### 3) Installing the Manual Control Box

- a) Ensure that the bottom louver is open.
- b) Pull out the Manual Control Box from the right side under the bottom of the firebox.
- c) Using the 2 screws on the louver, secure the control box onto the right side of the louver.



Manual Control Box



## FINISHING TRIM

**NOTE:** Install Finishing Trim prior to installing the Flush Door and Louvers.

- 1) Install the Finishing Trim sides as shown in diagram 1, line up the holes in the side trim with the holes in the firebox side.
- 2) Secure with 2 screws per side.
- 3) Loosen the 3 screws in the top inside edge of the firebox.
- 4) Slide the Finishing Trim Top over the Side Trim pieces and fit the bottom bracket slots over the screws. Tighten the 3 screws to secure.

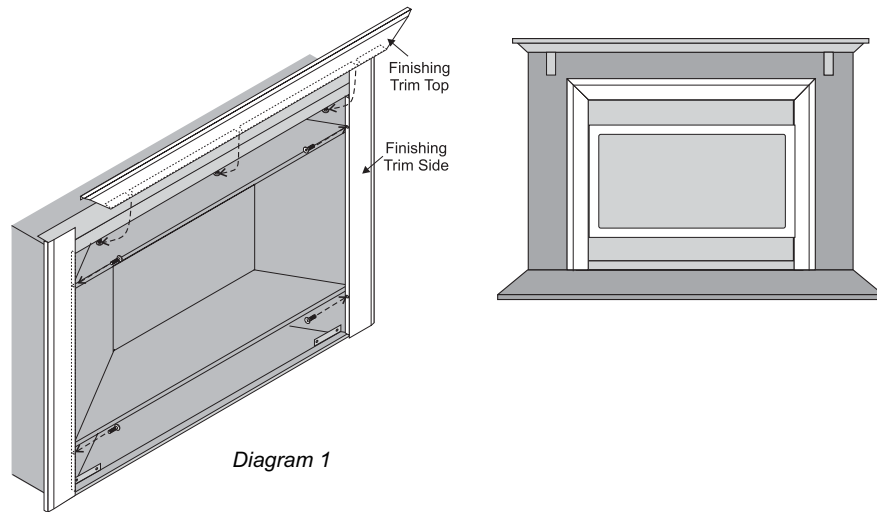
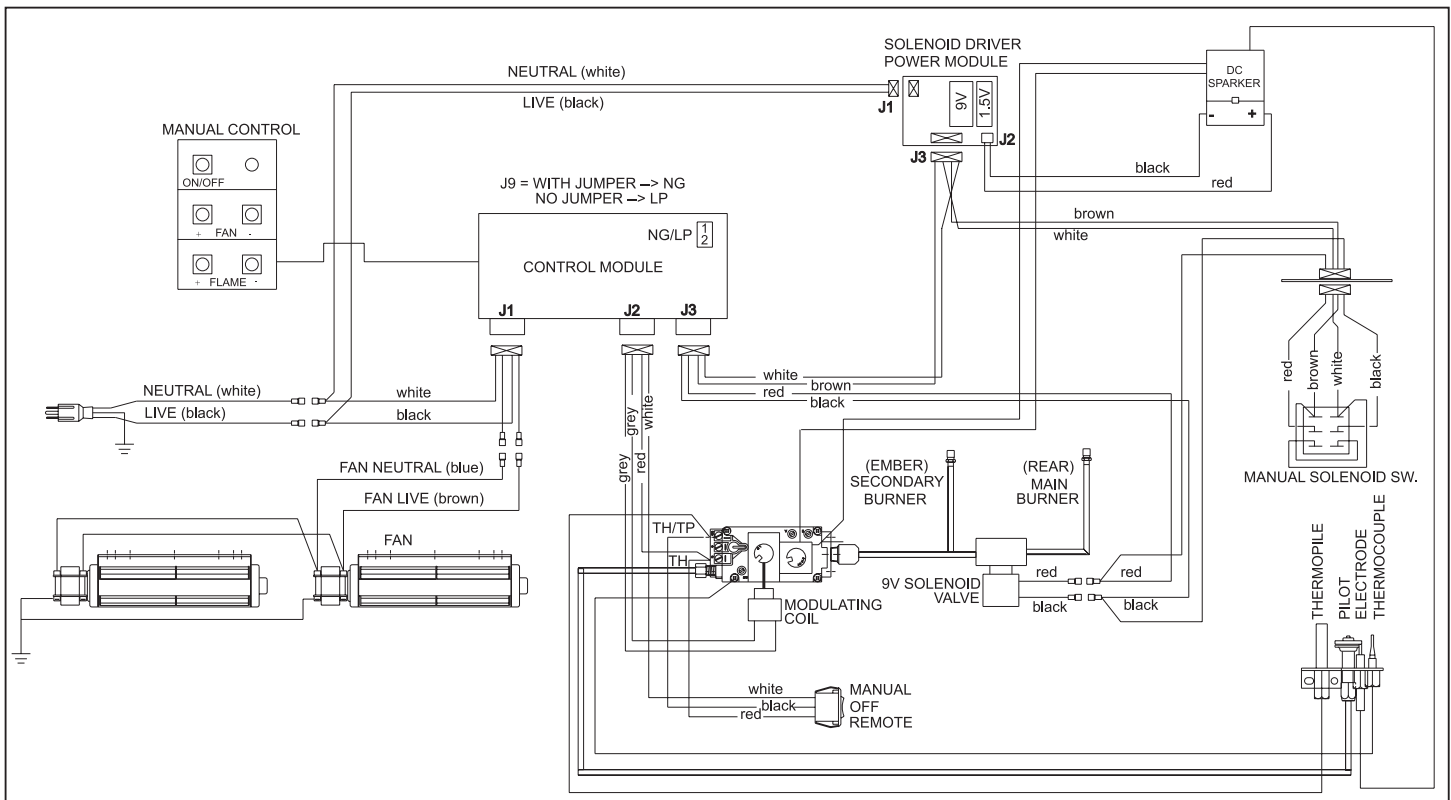


Diagram 1

## WIRING DIAGRAM

A receptacle is provided on the left hand side of the unit. 120 Volt AC power must be wired to the receptacle and the control module plugged in for the unit to operate fully. The front and rear burners will operate on low, when the unit is running on battery back-up.

**(Do not cut the ground terminal off under any circumstances.)**



**Caution:** Ensure that the wires do not touch any hot surfaces and are away from sharp edges.

**CAUTION:** Label all wires prior to disconnection when servicing controls. Wiring errors can cause improper and dangerous operation.

# OPERATING INSTRUCTIONS

## OPERATING INSTRUCTIONS

- 1) Read and understand these instructions before operating this appliance.
- 2) Check to see that all wiring is correct and enclosed to prevent possible shock.
- 3) Check to ensure there are no gas leaks.
- 4) Make sure the glass in the door frame is properly positioned. Never operate the appliance with the glass removed.
- 5) Verify that the venting and cap are unobstructed.
- 6) Ensure that the brick panels are installed.
- 7) Verify log placement. If the pilot cannot be seen when lighting the unit, the logs have been incorrectly positioned.
- 8) The unit should never be turned off, and on again without a minimum of a 60 second wait.

- 1) Push in gas control knob slightly and turn clockwise to "OFF". Knob cannot be turned from "PILOT" to "OFF" unless knob is pushed in slightly. Do not force.
- 2) Wait five (5) minutes to clear out any gas.
- 3) Turn knob on gas control counterclockwise to "PILOT".
- 4) Push in control knob all the way and hold in until the pilot lights up. Continue to hold the control knob in for about 20 seconds after the pilot is lit. Release knob and it will pop back up. Pilot should remain lit. If it goes out, repeat steps 1) to 4). If knob does not pop up when released, stop and immediately call your service technician or gas supplier. If the pilot will not stay lit after several tries, turn the gas control knob to "OFF" and call your service technician or gas supplier.
- 5) Turn gas control knob counterclockwise to "ON".
- 6) Turn the unit on.

**NOTE:** If using the remote control refer to the FireWizard manual for instructions.

## FIRST FIRE

### DO NOT BURN THE APPLIANCE WITHOUT THE GLASS FRONT IN PLACE.

The **FIRST FIRE** in your heater is part of the paint curing process. To ensure that the paint is properly cured, it is recommended that you burn your fireplace for at least four (4) hours the first time you use it with the fan on.

When first operated, the unit will release an odour caused by the curing of the paint and the burning off of any oils remaining from manufacturing. Smoke detectors in the house may go off at this time. Open a few windows to ventilate the room for a couple of hours. The glass may require cleaning.

**NOTE:** The main burner will always start on "HIGH" and resume it's last setting after 20 seconds of operation.

**NOTE:** When the glass is cold and the appliance is lit, it may cause condensation and fog the glass. This condensation is normal and will disappear in a few minutes as the glass heats up.

### DO NOT ATTEMPT TO CLEAN THE GLASS WHILE IT IS STILL HOT!

## LIGHTING PROCEDURE

### IMPORTANT

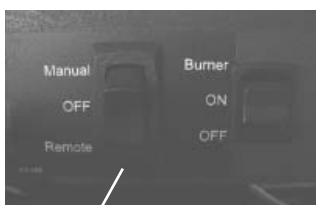
To ignite or reignite the pilot, you must first release the tension springs below the door.

Only when the pilot holds, without pressure being applied to the control knob, reapply the tension springs to the door. The unit **must not** be operated with the tension springs unattached.

**IMPORTANT** Gas on/off knob cannot be turned from "PILOT" to "OFF" unless it is partially depressed.

Ensure that the 3 way switch on the manual control panel is in the "Remote" position.

Manual Control Panel



3-way Switch

## SHUTDOWN PROCEDURE

- 1) Press the ON/OFF switch once.
- 2) The LED will flash.
- 3) Turn the main gas control clockwise to the "OFF" position to turn off the pilot.
- 4) Turn off all electric power to appliance if service is to be performed.

During the first few fires, a white film may develop on the glass front as part of the curing process. The glass should be cleaned after the unit has cooled down or the film will bake on and become very difficult to remove. Use a non-abrasive cleaner and **DO NOT ATTEMPT TO CLEAN THE GLASS WHILE IT IS HOT.**

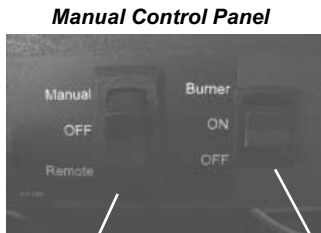
# OPERATING INSTRUCTIONS

## OPERATION DURING POWER OUTAGE

### Important:

If the unit is not used for a prolonged period of time, we recommend turning the 3-way switch on the manual control panel to "Off". Also see "Lighting Plate Instructions" for details on how to turn off the pilot.

**NOTE:** The fan will not operate during a power outage.



3-way Switch      Rear Burner Switch

### When in "Remote" position:

In the event of a power failure, if the 3-way switch is in the "Remote" position, the unit cannot be operated with the Remote Control until after power is restored.

### To operate unit during a power failure:

**NOTE:** Both burners when on will operate at the lowest flame setting. The BTU's for NG will be 13,000 and 12,000 for LP.

### Front Burner Operation:

- 1) Open the bottom louver to gain access to the Manual Control Panel.
- 2) To turn on the front burner, change the 3-way switch to "Manual" position.

### Rear Burner Operation:

- 1) Open the bottom louver to gain access to the Manual Control Panel.
- 2) To turn on the rear burner, change the Rear Burner Switch to the "On" position. Changing the switch to the "Off" position will turn the rear burner off.

**Note:** The rear burner will only operate if the front burner is on.

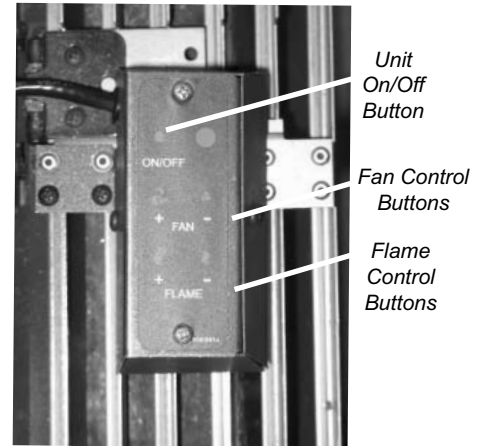
### When in "Manual" position:

In the event of a power failure, if the 3-way switch is in the "Manual" position the front burner will remain on at the lowest setting and will remain on when power resumes. If the rear burner is not in use, to operate see "Rear Burner Operation" above.

Both burners when on will operate at the lowest flame setting. The BTU's for NG will be 13,000 and 12,000 for LP.

When power resumes the unit will remain on at the lowest setting until reset using the remote control.

**NOTE:** When power is restored, reset the 3-way switch on the Manual Control Panel to the "Remote" position to be able to use the FireWizard™ Remote Control.



Manual Control Box

## SUMMARY OF CONTROLS

For the Manual Control Box, located on right hand side of the bottom louver.

### On/Off Button

If the unit is off, pressing and releasing this button once will switch the unit on. The unit will be on high for 20 seconds and then resume to its last settings.

If the unit is on, pressing and releasing this button once will switch the unit off.

### Flame:

There are seven flame settings that can be adjusted by pressing and releasing the plus (+) and minus (-) FLAME button.

**Increase:** If the unit is on, pressing and releasing the flame plus (+) button once will increase the flame height to the next available high setting.

**Decrease:** If the unit is on, pressing and releasing the flame minus (-) button once will decrease the flame height to the next available low setting.

### Fan:

There are three fan speeds that can be adjusted by pressing and releasing the plus (+) and minus (-) FAN button.

Pressing and releasing the plus (+) FAN button will change the fan speed as follows:

OFF -> LOW -> MEDIUM -> HIGH -> OFF

Pressing and releasing the minus (-) FAN button will be the reverse of the above.

## FIREWIZARD™ REMOTE CONTROL FUNCTIONS

The FireWizard™ Remote Control was developed to provide a user-friendly system to operate your appliance. The operating range is approximately 10 metres (32 feet) from the fireplace.

See FireWizard Remote Control Manual for complete details on operation functions and instructions.



OPERATION

# OPERATING INSTRUCTIONS

## NORMAL OPERATING SOUNDS OF GAS APPLIANCES

It is possible that you will hear some sounds from your gas appliance. This is perfectly normal due to the fact that there are various gauges and types of steel used within your appliance. Listed below are some examples. All are **normal operating sounds** and should not be considered as defects in your appliance.

### Blower:

Regency® gas appliances use high tech blowers to push heated air farther into the room. It is not unusual for the fan to make a "whirring" sound when ON. This sound will increase or decrease in volume depending on the speed setting of your fan speed control.

### Burner Tray:

The burner tray is positioned directly under the burner tube and logs and is made of a different gauge material from the rest of the firebox and body. Therefore, the varying thicknesses of steel will expand and contract at slightly different rates which can cause "ticking" and "cracking" sounds. You should also be aware that as there are temperature changes within the unit these sounds will likely re-occur. Again, this is normal for steel fireboxes.

### Pilot Flame:

While the pilot flame is on it can make a very slight "whisper" sound.

### Gas Control Valve:

As the gas control valve turns ON and OFF, a dull clicking sound may be audible, this is normal operation of a gas regulator or valve.

### Unit Body/Firebox:

Different types and thicknesses of steel will expand and contract at different rates resulting in some "cracking" and "ticking" sounds will be heard throughout the cycling process.

## COPY OF LIGHTING PLATE INSTRUCTIONS



### FOR YOUR SAFETY READ BEFORE LIGHTING

This appliance must be installed in accordance with local codes, if any; if none, follow the National Fuel Gas Code, ANSI Z223.1/NFPA 54, or Natural Gas and Propane Installation Codes, CSA B149.1. (Australia: AS5601-2004, New Zealand: NZS 5261)


**WARNING: If you do not follow these instructions exactly, a fire or explosion may result causing property damage, personal injury or loss of life. Improper installation, adjustment, alteration, service or maintenance can cause injury or property damage. Refer to the owner's information manual provided with this appliance. For assistance or additional information consult a qualified installer, service agency or gas supplier.**

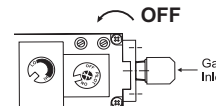
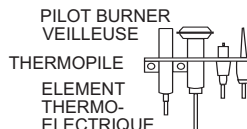
- A) This appliance has a pilot which must be lighted by hand. When lighting the pilot, follow these instructions exactly.
- B) BEFORE LIGHTING smell all around the appliance area for gas. Be sure to smell next to the floor because some gas is heavier than air and will settle on the floor.  
**WHAT TO DO IF YOU SMELL GAS**
  - Do not try to light any appliance.
  - Do not touch any electric switch, do not use any phone in your building.
  - Immediately call your gas supplier from a neighbours phone. Follow the gas supplier's instructions.
  - If you cannot reach your gas supplier, call the fire department.
- C) Use only your hand to push in or turn the gas control knob. Never use tools. If the knob will not push in or turn by hand, don't try to repair it, call a qualified service technician. Forced or attempted repair may result in a fire or explosion.
- D) Do not use this appliance if any part has been under water. Immediately call a qualified service technician to inspect the appliance and to replace any part of the control system and any gas control which has been under water.
- E) This appliance needs fresh air for safe operation and must be installed so there are provisions for adequate combustion and ventilation air.


**CAUTION: Hot while in operation. Do not touch. Severe Burns may result. Due to high surface temperatures keep children, clothing and furniture, gasoline and other liquids having flammable vapors away. Keep burner and control compartment clean. See installation and operating instructions accompanying appliance.**

### LIGHTING INSTRUCTIONS


**STOP! Read the safety information above on this label.**

- 1) Push in gas control knob slightly and turn clockwise  to "OFF". Knob cannot be turned from "PILOT" to "OFF" unless knob is pushed in slightly. Do not force.



- 2) Wait five (5) minutes to clear out any gas. If you then smell gas STOP! Follow step "B" in the Safety Information above on this label. If you don't smell gas, go to the next step.
- 3) Turn knob on gas control counterclockwise  to "PILOT".
- 4) Push in control knob all the way and hold in until the pilot lights up. Continue to hold the control knob in for about 20 seconds after the pilot is lit. Release knob and it will pop back up. Pilot should remain lit. If it goes out, repeat steps 1) to 4). If knob does not pop up when released, stop and immediately call your service technician or gas supplier. If the pilot will not stay lit after several tries, turn the gas control knob to "OFF" and call your service technician or gas supplier.
- 5) Turn gas control knob counterclockwise to "ON".
- 6) Turn the unit on.

### TO TURN OFF GAS APPLIANCE

- 1) Turn off the unit.
- 2) Push in the gas control knob slightly and turn clockwise  to "OFF". Do not force.
- 3) Turn off all electric power to the appliance if service is to be performed.  
You may shut off the pilot during prolonged non use periods to conserve fuel.

**DO NOT REMOVE THIS INSTRUCTION PLATE**

918-583

## MAINTENANCE INSTRUCTIONS

- 1) Always turn off the gas valve before cleaning. For relighting, refer to lighting instructions. Keep the burner and control compartment clean by brushing and vacuuming at least once a year. When cleaning the logs, use a soft clean paint brush as the logs are fragile and easily damaged.
- 2) Clean appliance and door with a damp cloth (never when unit is hot). Never use an abrasive cleaner. The glass should be cleaned with a gas fireplace glass cleaner. **The glass should be cleaned when it starts looking cloudy.**
- 3) The heater is finished in a heat resistant paint and should only be refinished with heat resistant paint. Regency® uses StoveBright Paint - Metallic Black #6309.
- 4) Make a periodic check of burner for proper position and condition. Visually check the flame of the burner periodically, making sure the flames are steady; not lifting or floating. If there is a problem, call a qualified service person.
- 5) The appliance and venting system must be inspected before use, and at least annually, by a qualified field service person, to ensure that the flow of combustion and ventilation air is not obstructed.

**Note: Never operate the appliance without the glass properly secured in place.**

- 6) Do not use this appliance if any part has been under water. Immediately call a qualified service technician to inspect the appliance and to replace any part of the control system and any gas control which has been under water.
- 7) In the event this appliance has been serviced, check that the vent-air system has been properly resealed & reinstalled in accordance with the manufacturer's instructions.
- 8) Verify operation after servicing.

## GENERAL VENT MAINTENANCE

Conduct an inspection of the venting system semiannually. Recommended areas to inspect as follows:

- 1) Check the Venting System for corrosion in areas that are exposed to the elements. These will appear as rust spots or streaks, and in extreme cases, holes. These components should be replaced immediately.
- 2) Remove the Cap, and shine a flashlight down the Vent. Remove any bird nests, or other foreign material.
- 3) Check for evidences of excessive condensation, such as water droplets forming in the inner liner, and subsequently dripping out the joints. Continuous condensation can cause corrosion of caps, pipe, and fittings. It may be caused by having excessive lateral runs, too many elbows, and exterior portions of the system being exposed to cold weather.
- 4) Inspect joints, to verify that no pipe sections or fittings have been disturbed, and consequently loosened. Also check mechanical supports such as Wall Straps, or plumbers' tape for rigidity.

## LOG REPLACEMENT

The unit should never be used with broken logs. Turn off the gas valve and allow the unit to cool before opening door and carefully remove the logs. (The pilot light generates enough heat to burn someone.) If for any reason a log should need replacement, you must use the proper replacement log. The position of these logs must be as shown in the diagrams under Log Installation.

**Note: Improper positioning of logs may create carbon build-up and will severely alter the unit's performance which is not covered under warranty.**

## THERMOPILE / THERMOCOUPLE

- 1) Open the Bottom Louver and remove the Top Louver.
- 2) Open and remove door.
- 3) Remove log set.
- 4) Remove grate and burner.
- 5) Disconnect thermocouple by loosening nut from the valve with a 9mm wrench. Disconnect thermopile by loosening 2 screws marked TP on the valve.
- 6) Remove 2 screws from the pilot assembly and pull up far enough to be able to loosen the thermocouple or thermopile with a 7/16" wrench. NOTE: the pilot line is very fragile, use caution when pulling it up.
- 7) Drop the thermocouple or thermopile down through the extrusion and pull it out of the unit.
- 8) Reinstall the new ones in reverse order.

## GLASS GASKET

If the glass gasket requires replacement use a tadpole glass gasket (Part # 936-155).

## LOUVERS

The finish on the louvers require little maintenance, and need only be cleaned with a damp cloth.

DO NOT use abrasive materials or chemical cleaners, as they may harm the finish and void the warranty.

**Clean any fingerprints off before turning the unit on.**

# MAINTENANCE

## DOOR GLASS

Your Regency® fireplace is supplied with high temperature 5mm-Ceramic glass. If your glass requires cleaning, we recommend using an approved glass cleaner available at all authorized dealers. Do not use abrasive materials.

### CAUTION & WARNINGS:

- \* Do not clean when the glass is hot.
- \* The use of substitute glass will void all product warranties.
- \* Care must be taken to avoid breakage of the glass.
- \* Do not strike or abuse the glass.
- \* Do not operate this fireplace without the glass front or with a cracked or broken glass front.
- \* Wear gloves when removing damaged or broken glass.
- \* Replacement of the glass panel(s) should be done by a licensed or qualified service person.

## GLASS REPLACEMENT

In the event that you break your glass by impact, purchase your replacement from an authorized Regency® dealer only.

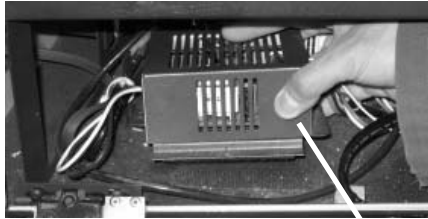
Replacement glass is shipped already installed into the door frame. Reinstall as per Glass Door Installation in "Standard Flush Door" section.

**CAUTION: Wear gloves when removing damaged or broken glass.**

**WARNING: Do not operate the appliance with the glass panels removed, cracked or broken. Replacement of the glass panels should be done by a licensed or qualified service person.**

## FAN REPLACEMENT

- 1) Unplug the power source.
- 2) Remove the power module by lifting it up off of the velcro and pull out.



Power Module

- 3) Undo the wire holder by releasing tab.

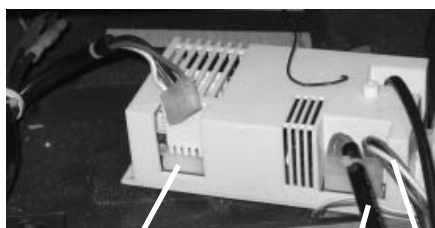


- 4) Remove the Control module by lifting it up and off to the side.



Control Module

- 5) Unplug the J1, J2 and J3 harness at the ECS module and pull out the Control module.

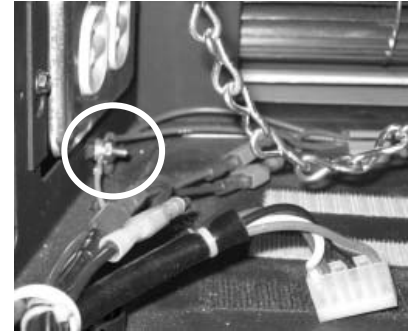


J1

J2

J3

- 6) Remove the fan ground wires.



- 7) Disconnect the brown and blue wires connected to the J1 harness.



- 8) Release the 2 wire tabs.

- 9) Remove both fans by lifting up off of the pins and tilt sideways and then slide to the left of the firebox and pull out carefully.

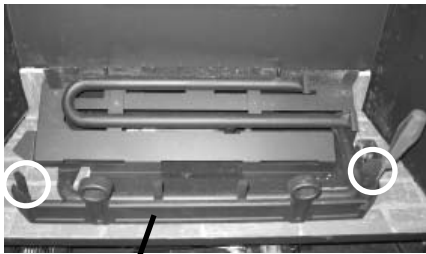


- 10) Reverse steps to re-install.

**NOTE:** To facilitate easier re-installation of the fans, apply some lubricant to the rubber grommets at the base of the fan bracket.

## VALVE REPLACEMENT

- 1) Shut off the main gas supply and unplug the power to the ECS system.
- 2) Remove the main gas line pipe from the gas valve.
- 3) Remove logs and brick panels if installed.
- 4) Remove the fender by undoing the 2 screws, one on the left and right side.



*Fender*

- 5) Remove the front air box by undoing the 3 screws.

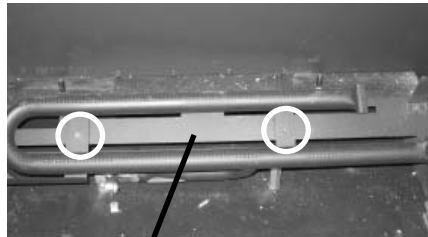


*Front Air Box*

- 6) Remove the front burner by removing the 2 screws and swing the burner to the left and slide out.

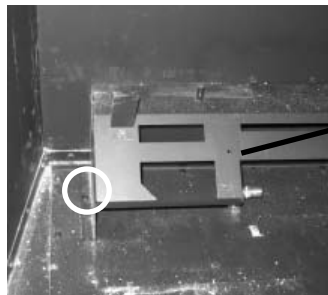


- 7) Carefully remove the base brick panel.
- 8) Remove the 2 screws on the back burner.



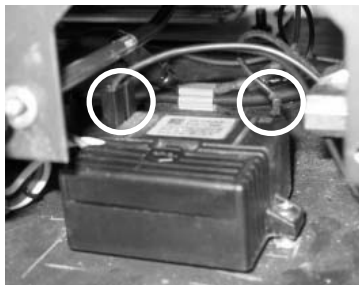
*Back Burner*

- 9) Slide burner to the right and lift out.
- 10) Remove back air box by removing 2 screws, one on the left and one on the right side and pull out.

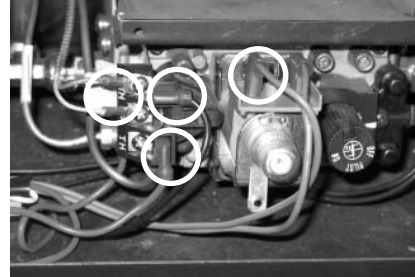


*Back Burner*

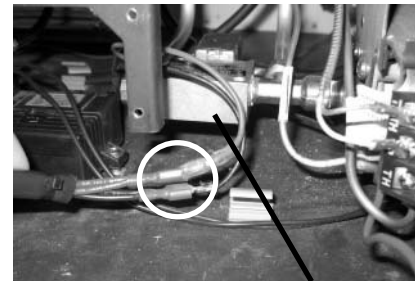
- 11) Unplug the 3 black wires at the DC Sparker.



- 12) Unplug the 5 wires at the valve (2 grey, 2 red and 1 black).

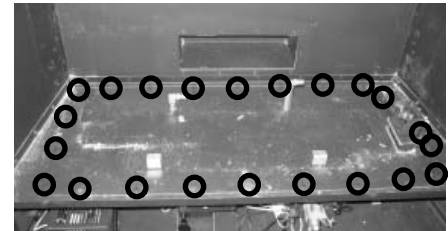


- 13) Reach in and grab the black and red wires leading to the solenoid valve and disconnect them.



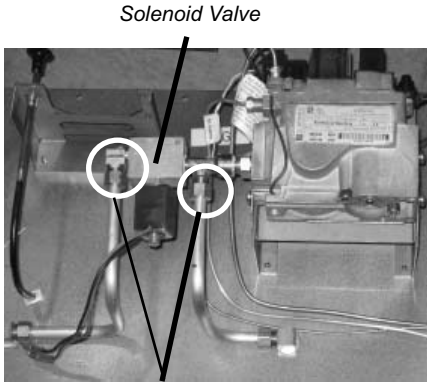
*Solenoid Valve*

- 14) Remove all 22 valve tray screws and carefully lift out the valve tray.

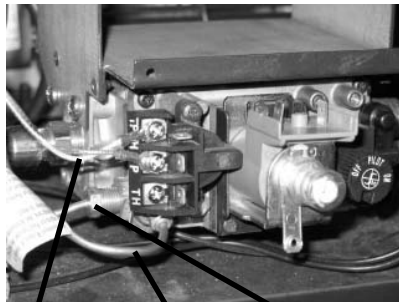


# MAINTENANCE

- 15) Disconnect the compression fitting at the solenoid valve.
- 16) Remove the solenoid valve from the main valve.



- 17) Disconnect the thermopile wires (TP/TH & TP) from the valve. See image below.
- 18) Undo the pilot tube from the valve with a 7/16" wrench. See image below.
- 19) Undo the quick drop out thermocouple nut on the valve with a 9mm (metric) wrench.



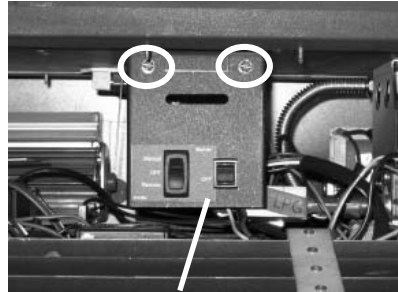
Thermopile Wire    Thermocouple Wire    Pilot Nut

- 20) Remove the 4 Phillips head screws from the sides of the valve bracket and remove valve.

**Hint:** If you are using black pipe, ensure that there is a union by the valve, otherwise removal will be almost impossible.

## DC SPARKER REPLACEMENT

- 1) Unplug the power source.
- 2) Remove the manual control panel by removing the 2 screws.



Manual Control Panel

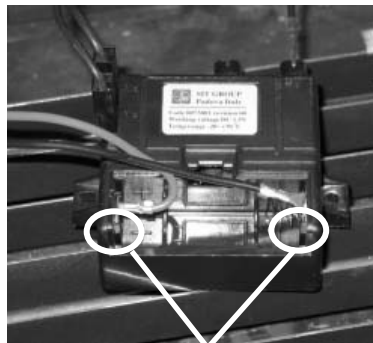
- 3) Remove the DC Sparker by removing the 2 screws that secure the DC Sparker to the firebox and lift out.



DC Sparker

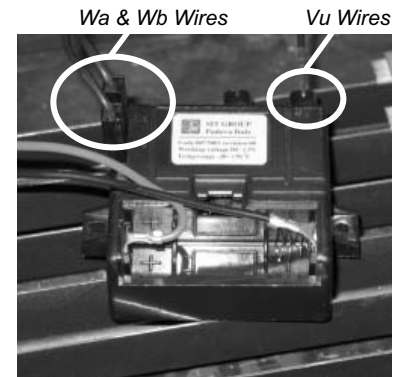
- 4) Remove the cover on the DC Sparker and unplug the red (+) and black (-) wires.

**Note:** Ensure that the ring tabs on the wire fit behind the metal posts when re-installing.



Ring Tabs

- 5) Unplug pilot knob wires (Wa and Wb) and ignitor wire (Vu).

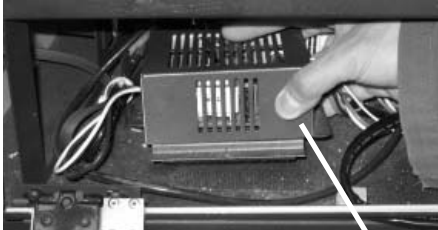


- 6) Replace the DC Sparker and reverse steps to re-install.



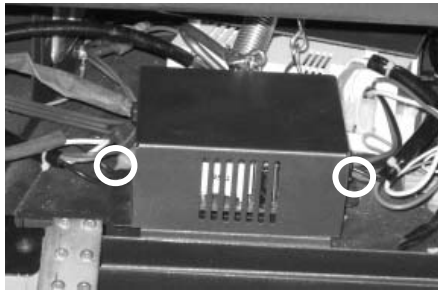
## POWER MODULE REPLACEMENT

- 1) Unplug the power source.
- 2) Remove the Power Module by lifting it up off of the velcro and pull out.

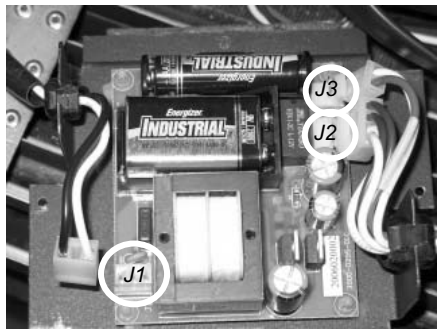


Power Module

- 3) Remove the Power Module cover by removing the 2 screws, one on each side of the box.



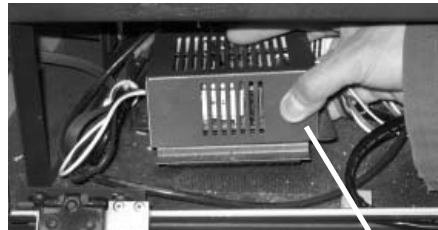
- 4) Unplug all wires connected to the Power Module (J1, J2 & J3 on the power module circuit board).



- 5) Pull Power Module off of pins and replace.
- 6) Reverse steps to re-install.

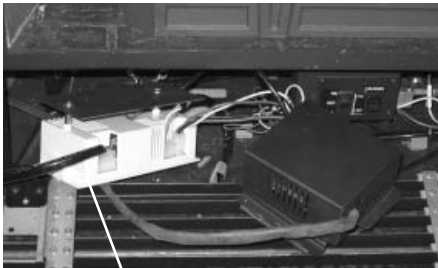
## CONTROL MODULE REPLACEMENT

- 1) Unplug the power source.
- 2) Remove the Power Module by lifting it up off of the velcro and pull out.



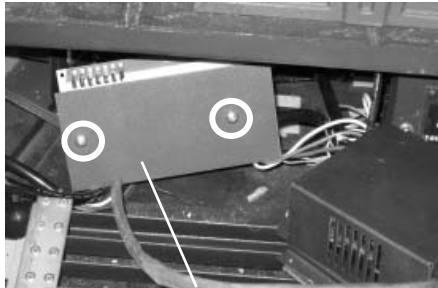
Power Module

- 3) Remove the Control Module by lifting it up off of the velcro and pull out.



Control Module

- 4) Remove the Heat Shield from the Control Module by removing the 2 screws.



Heat Shield

- 5) Unplug all wire harnesses and manual control box cable plugged into the Control module.

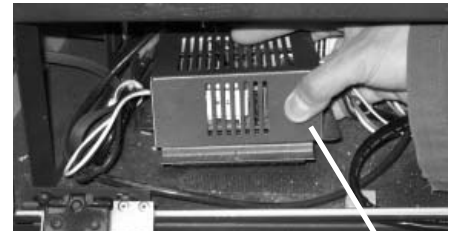


- 6) Replace the Control Module and reverse steps to re-install.

## BACKUP BATTERY REPLACEMENT (within Power Module)

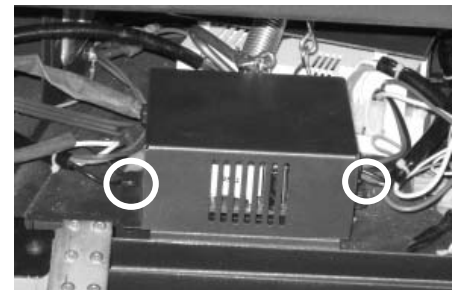
**NOTE:** The 9V battery operates the rear burner and the AA battery operates the DC Sparker for lighting the pilot under power outage conditions.

- 1) Unplug the power source.
- 2) Remove the Power Module by lifting it up off of the velcro and pull out.

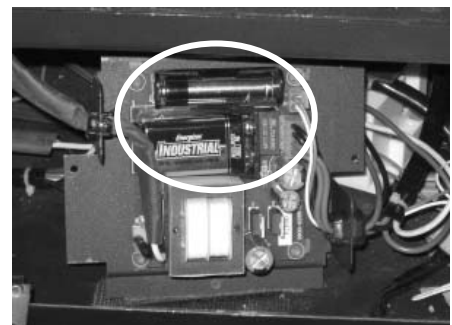


Power Module

- 3) Remove the Power Module cover by removing the 2 screws, one on each side of the box.



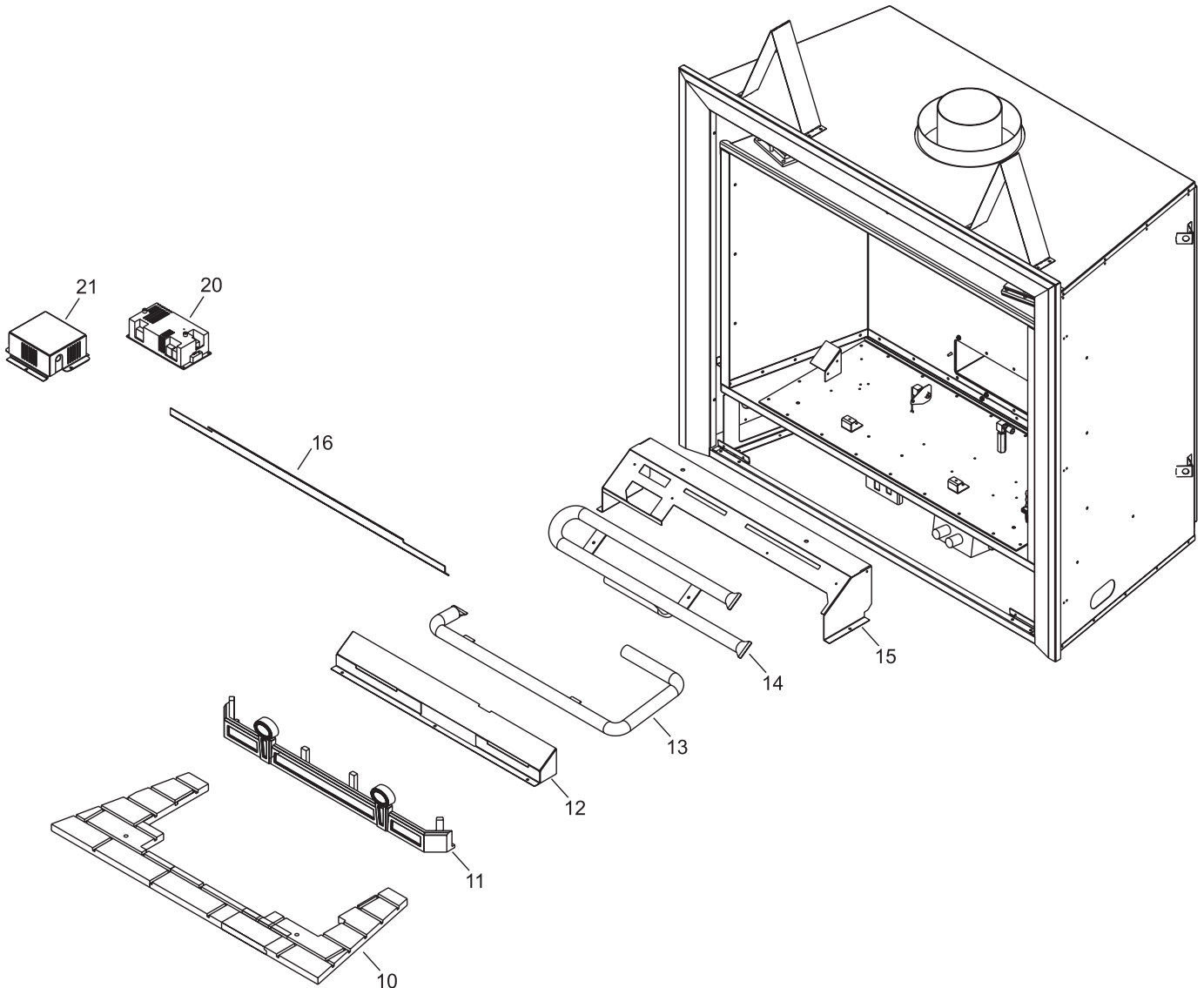
- 4) Replace the 9V and AA battery and reverse steps to re-install.



# PARTS LIST

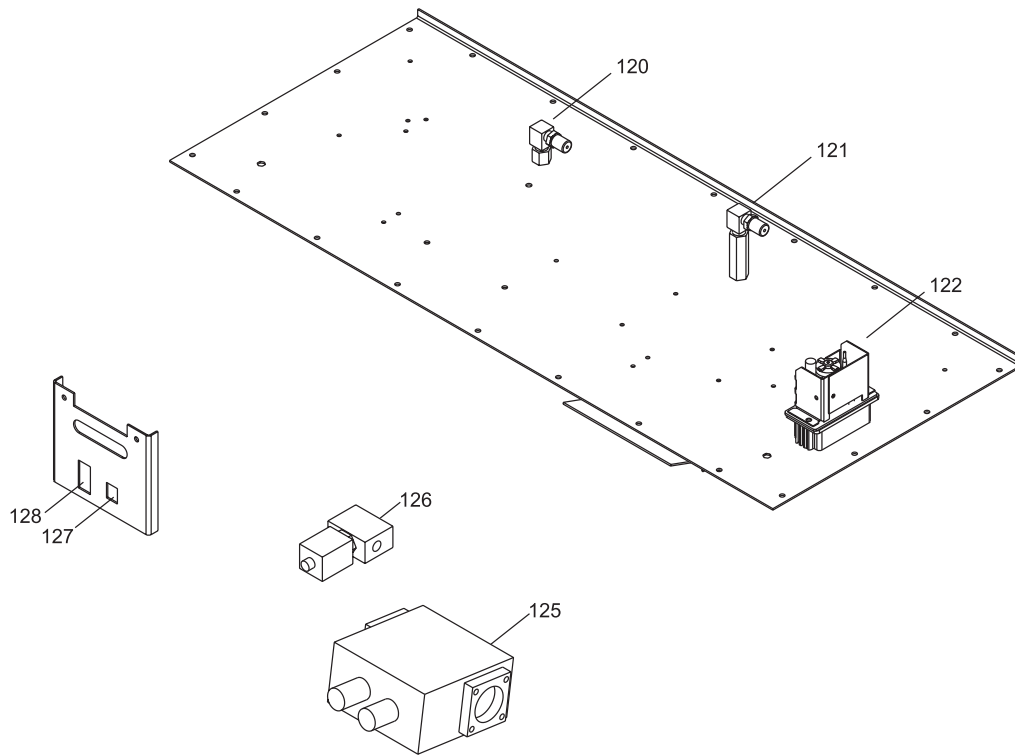
## MAIN ASSEMBLY

| Part #      | Description                    | Part #    | Description                          |
|-------------|--------------------------------|-----------|--------------------------------------|
| 10) 502-528 | Brick Panel Base (Set of 3)    | 910-930   | FireWizard™ Remote Control           |
| 502-901     | Brick Panel Set Standard Brown | 918-582   | Manual FireWizard™                   |
| 502-902     | Brick Panel Set Standard Red   | 910-215/P | Fan 115 Volt / 110 Cfm (dual blower) |
| 11) 502-040 | Cast Iron Fender               | 910-073   | Spark Generator Battery Holder       |
| 502-075     | Front Ember Tray               | 910-074   | Spark Generator Switch C/W Wire      |
| 12) 502-033 | Burner Front Cover             | 910-813   | Power Cord 120Vlt Plug in Fan        |
| 13) 948-450 | Burner Tube Front NG/LP        | 910-927   | Wire Harness Twin Fan                |
| 14) 948-451 | Burner Tube Rear NG/LP         | 910-928   | Wire Harness Solenoid Switch         |
| 15) 502-009 | Log Tray                       | 910-939   | Wire Sparker - Combo Drive           |
| 502-930     | Log Set - (Oak)                | 910-935   | Switch Manual Control                |
| 16) 502-016 | Top Brick Clip                 | 910-528   | Wire - 54 in.                        |
| 20) 910-929 | Control Module                 | 918-566   | Manual                               |
| 21) 910-931 | Power Module                   |           |                                      |



## VALVE TRAY ASSEMBLY

| Part #    | Description                          |
|-----------|--------------------------------------|
| 120)      | 904-644 Orifice # 35                 |
| 121)      | 904-568 Orifice # 44                 |
| 122)      | 910-008 Pilot Assembly               |
| 125)      | 910-460 Valve NG - SIT 825           |
| 126)      | 910-937 Valve Solenoid - 3 Volt      |
| 127)      | 910-928 Wire Harness Solenoid Switch |
| 128)      | 910-925 Wire Harness J2              |
|           | 910-924 Wire Harness J1              |
|           | 910-926 Wire Harness J3              |
| 502-574/P | Valve Assembly - NG                  |
| 502-576/P | Valve Assembly - LP                  |
| 502-969   | Conversion - LP                      |

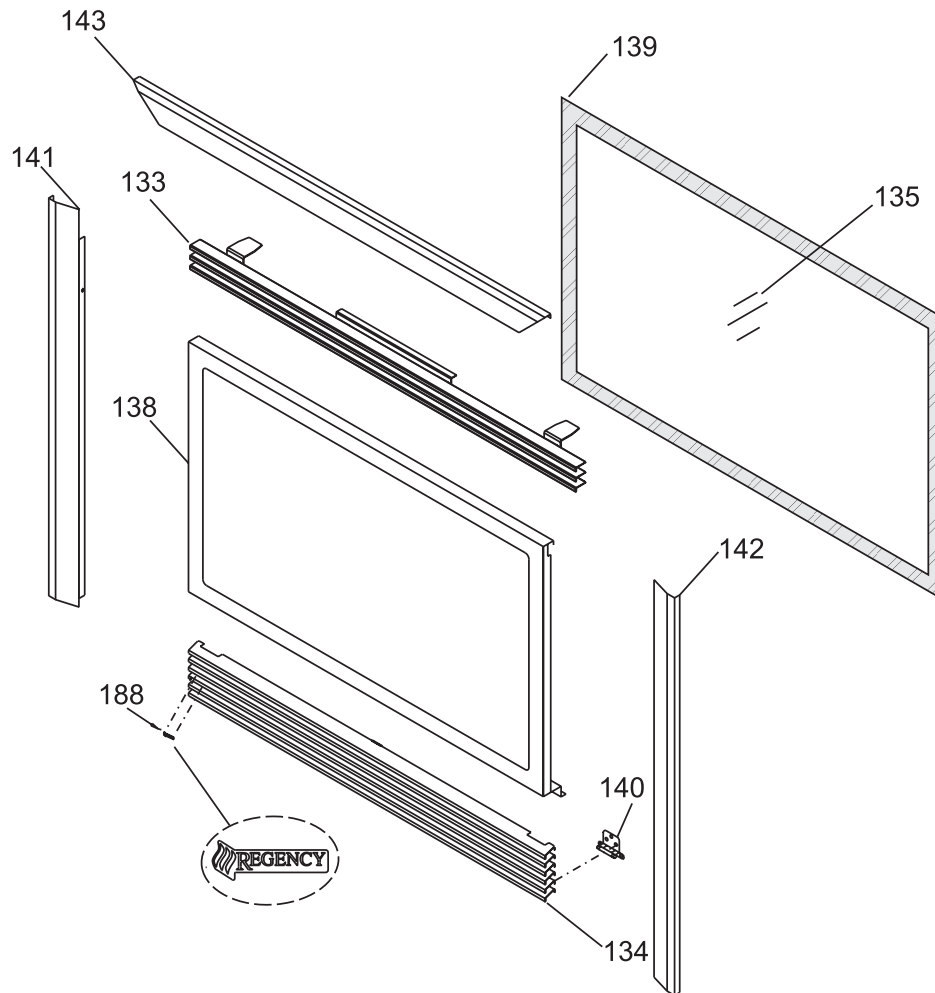


# PARTS LIST

## FLUSH DOOR & LOUVERS

| Part #         | Description                 |
|----------------|-----------------------------|
| 502-910        | Flush Louvers (Set) - Black |
| 133) *         | Flush Louver - Top          |
| 134) *         | Flush Louver - Bottom       |
| 135) 940-349/P | Glass (Flush)               |
| 138) 502-003   | Flush Door Frame            |
| 139) 936-155   | Glass Gasket (Tadpole)      |
| 140) 948-042   | Spring Hinge                |
| 502-924        | Finishing Trim - Black      |
| 141) *         | Trim Side Left              |
| 142) *         | Trim Side Right             |
| 143) *         | Trim Top                    |
| 188) 948-216   | Regency® Logo Plate         |

\*Not available as a replacement part.









Regency® Fireplace Products are designed with reliability and simplicity in mind. In addition, our internal Quality Assurance Team carefully inspects each unit thoroughly before it leaves our facility. FPI Fireplace Products International Ltd. is pleased to extend this limited lifetime warranty to the original purchaser of a Regency® Product. This warranty is not transferable.

**The Warranty: Limited Lifetime**

The combustion chamber, heat exchanger, burner tubes/pans, logs, brick panels and gold plating (against defective manufacture only) are covered under the Limited Lifetime Warranty for five (5) years for parts and subsidized labour\* and parts only thereafter.

Glass is covered for lifetime against thermal breakage only, parts and subsidized labour\* for five (5) years and parts only thereafter from date of purchase.

External casting, surrounds and grills are covered against cracks and warps resulting from manufacturer defects, parts and subsidized labour\* for three (3) years from the date of purchase and parts only thereafter.

Special Finishes - One year on brushed nickel and antique copper full screens and doors. You can expect some changes in color as the product "ages" with constant heating and cooling. FPI warrants the product for any manufacturing defects on the original product. However, the manufacturers warranty does not cover changing colors and marks, ie. finger prints, etc applied after the purchase of the product. Damage from the use of abrasive cleaners is not covered by warranty.

Electrical and mechanical components such as blowers, switches, wiring, thermocouples, FPI remote controls, spill switches, thermopiles, thermocouples, pilot assembly components, and gas valves are covered for one year parts and subsidized labour\* from the date of purchase. Blowers and valves replaced under warranty are considered repairs and continue as if new with appliance. ie. twelve (12) months from original purchase date of appliance with a minimum of three (3) months coverage from date of replacement.

FPI venting components are covered parts and subsidized labour\* for three (3) years from date of purchase.

Simpson Dura-Vent venting components (Direct Vent units) are covered by Simpson Dura-Vent Inc. warranty.

**Conditions:**

Any part or parts of this unit which in our judgement show evidence of such defects will be repaired or replaced at FPI's option, through an accredited distributor or agent provided that the defective part be returned to the distributor or agent **Transportation Prepaid**, if requested.

Porcelain/Enamel - Absolute perfection is either guaranteed nor commercially possible. Any chips must be reported and inspected by an authorized dealer within three days of installation. Reported damage after this time will be subject to rejection.

It is the general practice of FPI to charge for larger, higher priced replacement parts and issue credit once the replaced component has been returned to FPI and evaluated for manufacturer defect.

The authorized selling dealer is responsible for all in-field service work carried out on your Regency® product. FPI will not be liable for results or costs of workmanship from unauthorized service persons or dealers.

At all times FPI reserves the right to inspect product in the field which is claimed to be defective.

All claims must be submitted to FPI by authorized selling dealers. It is essential that all submitted claims provide all of the necessary information including customer name, purchase date, serial #, type of unit, problem, and part or parts requested, without this information the warranty will be invalid.

**Exclusions:**

This limited Lifetime Warranty does not extend to or include paint, door or glass gasketing or trim.

At no time will FPI be liable for any consequential damages which exceed the purchase price of the unit. FPI has no obligation to enhance or modify any unit once manufactured. ie. as products evolve, field modifications or upgrades will not be performed.

FPI will not be liable for travel costs for service work.

Installation and environmental problems are not the responsibility of the manufacturer and therefore are not covered under the terms of this warranty policy.

Embers, rockwool, gaskets, door handles and paint are not covered under the terms of this warranty policy.

Any unit which shows signs of neglect or misuse is not covered under the terms of this warranty policy.

The warranty will not extend to any part which has been tampered with or altered in any way, or in our judgment has been subject to misuse, improper installation, negligence or accident, spillage or downdrafts caused by environmental or geographical conditions, inadequate ventilation, excessive offsets, negative air pressure caused by mechanical systems such as furnaces, fans, clothes dryer, etc.

Freight damage to stoves and replacement parts is not covered by warranty and is subject to a claim against the freight carrier by the dealer.

FPI will not be liable for acts of God, or acts of terrorism, which cause malfunction of the appliance.

Performance problems due to operator error will not be covered by this warranty policy.

Products made or provided by other manufacturers and used in conjunction with the operation of this appliance without prior authorization from FPI, may nullify your warranty on this product.

Any alteration to the unit which causes sooting or carboning that results in damage to the interior / exterior facia is not the responsibility of FPI.

\* Subsidy according to job scale as predetermined by FPI.

**FPI fireplaces are designed with reliability and simplicity in mind. In addition, our internal Quality Assurance Team carefully inspects each unit thoroughly before it leaves our door.**

**FPI Fireplace Products International Ltd. is pleased to extend this Limited Lifetime Warranty to the original purchaser of a FPI Product.**

**See the inside back cover for details.**

**Register your Regency® online at  
<http://www.regency-fire.com>**

*Installer: Please complete the following information*

**Dealer Name & Address:** \_\_\_\_\_  
\_\_\_\_\_

**Installer:** \_\_\_\_\_

**Phone #:** \_\_\_\_\_

**Date Installed:** \_\_\_\_\_

**Serial No.:** \_\_\_\_\_