



L676 Sunrise™ Gas Fireplace

Owners & Installation Manual



www.regency-fire.com

MODELS: L676S-NG1 Natural Gas L676S-LP1 Propane

WARNING:

If the information in these instructions are not followed exactly, a fire or explosion may result causing property damage, personal injury or loss of life.

FOR YOUR SAFETY

Do not store or use gasoline or other flammable vapors and liquids in the vicinity of this or any other appliance.

Installation and service must be performed by a qualified installer, service agency or the gas supplier.

FOR YOUR SAFETY

What to do if you smell gas:

- Do not try to light any appliance
- Do not touch any electrical switch: do not use any phone in your building.
- Immediately call your gas supplier from a neighbour's phone. Follow the gas supplier's instructions.
- If you cannot reach your gas supplier, call the fire department.

Tested by:



Installer: Please complete the details on the back cover and leave this manual with the homeowner.

Homeowner: Please keep these instructions for future reference.

To the New Owner:

Congratulations!

You are the owner of a state-of-the-art Gas Fireplace by REGENCY®. The L676S has been designed to provide you with all the warmth and charm of a fireplace at the flick of a switch. The model L676S has been approved by Warnock Hersey for both safety and efficiency. As it also bears our own mark, it promises to provide you with economy, comfort and security for many trouble free years to follow. Please take a moment now to acquaint yourself with these instructions and the many features of your Regency® Fireplace.

**MANUFACTURED MOBILE HOME REQUIREMENTS
INFORMATION FOR MOBILE/MANUFACTURED HOMES AFTER FIRST SALE**

This Regency® product has been tested and listed by Warnock Hersey as a Direct Vent Wall Furnace to the following standards: VENTED GAS FIREPLACE HEATERS ANSI Z21.88a-2007 / CSA 2.33a-2007 and GAS-FIRED APPLIANCES FOR USE AT HIGH ALTITUDES CAN / CGA 2.17-M91.

This Direct Vent System Appliance must be installed in accordance with the manufacturer's installation instructions and the Manufactured Home Construction and Safety Standard, Title 24 CFR, Part 3280, or the current Standard of Fire Safety Criteria for Manufactured Home Installations, Sites, and Communities ANSI/NFPA 501A, and with CAN/CSA Z240-MH Mobile Home Standard in Canada.

This appliance installation must comply with the manufacturer's installation instructions and local codes, if any. In the absence of local codes follow the current National Fuel Gas Code, ANSI Z223.1 and the current National Electrical Code ANSI/NFPA 70 in the U.S.A., and the current CAN/CGA B149 Gas Installation Code and the current Canadian Electrical Code CSA C22.1 in Canada.

This appliance comes equipped with a dedicated #8 Ground Lug for attachment of the ground wire to the steel chassis as applicable to local codes.

The appliance, when installed, must be electrically grounded in accordance with local codes or, in the absence of local codes, with the National Electrical Code, ANSI/NFPA 70, or the Canadian Electrical Code, CSA C22.1.

This appliance may only be installed in an aftermarket permanently located, manufactured (U.S.A only) or mobile home, where not prohibited by local codes.

This appliance can only be used with the type of gas indicated on the rating plate. This appliance is not convertible for use with other gases, unless a certified kit is used. (Kit# 526-969)

Ensure that structural members are not cut or weakened during installation.

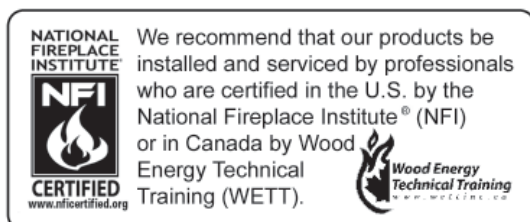


TABLE OF CONTENTS

SAFETY LABEL	
Copy of Safety Decal	4
REQUIREMENTS	
MA Code - CO Detector	5
UNIT DIMENSIONS	
Unit Dimensions	6
INSTALLATION	
Important Message	7
Before You Start.....	7
General Safety Information.....	7
Installation Checklist.....	7
Manufactured Mobile Home Requirements	8
Locating Your Gas Fireplace.....	8
Heatwave Duct Kit	8
Heat Release Kit	8
Finished Floor.....	8
Clearances	9
Mantel Clearances.....	10
Mantel Leg Clearances.....	10
Framing & Finishing.....	11
Unit Assembly Prior To Installation	14
Top Standoff Assembly	14
Side Nailing Strips	14
Finishing Template.....	14
Venting Introduction.....	14
Vent Restrictor Position	15
Exterior Vent Termination Requirements	16
Venting Arrangements	17
Horizontal Termination (Flex).....	17
Rigid Pipe Venting Systems.....	18
Basic Horizontal & Vertical Terminations	16
5" x 8" Rigid Pipe Cross Reference Chart	19
Venting Arrangements	21
Allowable Horizontal Terminations	21
Allowable Vertical Terminations.....	24
Unit Installation with Horizontal Termination.....	25
Unit Installation with Vertical Termination	26
Unit Installation	27
Horizontal Termination w/Flex Vent System	27
High Elevation.....	28
Gas Line Installation.....	28
Pilot Adjustment.....	28
Gas Pipe Pressure Testing	28
SIT 820 Valve Description	28
Aeration Adjustment	29
Wiring Diagram	29
Conversion from NG to LP.....	30
Panel Installation.....	32
Glass Crystal or Optional Ceramic Stones Installation on Burner	34
Faceplate & Door Frame Installation	35
OPERATING INSTRUCTIONS	
Operating Instructions	36
Matching Remote Control & Receiver Code.....	36
Lighting Procedure	36
Shutdown Procedure	36
First Fire	36
Normal Operating Sounds of Gas Appliances.....	37
Copy of Lighting Plate Instructions	37
MAINTENANCE	
Maintenance Instructions	38
General Vent Maintenance	38
Thermopile / Thermocouple.....	38
Glass Gasket.....	38
Door Glass Replacement	38
DC Spark Box Battery Replacement	39
DC Spark Box Replacement.....	39
Valve Tray Replacement	40
PARTS LIST	
Main Assembly	41
Burner Assembly	43
WARRANTY	
The Warranty: Limited Lifetime	47

SAFETY LABEL

This is a copy of the label that accompanies each L676S-NG1 and L676S-LP1 Direct Vent Gas Fireplace. We have printed a copy of the contents here for your review.

NOTE: Regency® units are constantly being improved. Check the label on the unit and if there is a difference, the label on the unit is the correct one.

COPY OF SAFETY DECAL

For the State of Massachusetts, installation and repair must be done by a plumber or gasfitter licensed in the Commonwealth of Massachusetts.


For the State of Massachusetts, flexible connectors shall not exceed 36 inches in length.

For the State of Massachusetts, the appliances individual manual shut-off must be a t-handle type valve.

The State of Massachusetts requires the installation of a carbon monoxide alarm in accordance with NFPA 720 and a CO alarm with battery back up in the same room where the gas appliance is installed.

342


DO NOT REMOVE THIS LABEL / NE PAS ENLEVER CETTE ÉTIQUETTE



342


Serial No. / No de serie

Listed: VENTED GAS FIREPLACE HEATER
 Tested to: ANSI Z21.88a-2007/ CSA 2.33a-2007,
 CAN/CGA-2.17-M91
 Certified for / Certifiée pour: CANADA AND U.S.A.
 WN # 16074



NATURAL GAS FIREPLACE: MODEL L676S-NG1
 Factory Equipped For Altitude 0-4500ft. (0-1372m)

Min. Supply Pressure	5"	WC	(1.25 kpa)
Low Setting Man. Pressure	1.6"	WC	(0.39 kpa)
Max. Manifold Pressure	3.5"	WC	(0.87 kpa)
Orifice Size	#37	DMS	
Minimum Input	19,500	Btu/h	(5.71 kW)
Maximum Input	29,000	Btu/h	(8.49 kW)



PROPANE GAS FIREPLACE: MODEL L676S-LP1
 Factory Equipped For Altitude 0-4500ft. (0-1372m)

Min. Supply Pressure	12"	WC	(2.98 kpa)
Low Setting Man. Pressure	6.4"	WC	(1.59 kpa)
Max. Manifold Pressure	10"	WC	(2.49 kpa)
Orifice Size	#53	DMS	
Minimum Input	21,000	Btu/h	(6.15 kW)
Maximum Input	26,000	Btu/h	(7.61 kW)

VENTED GAS FIREPLACE HEATER

This appliance must be installed in accordance with the manufacturer's installation instructions and with local codes, if any; if none, follow the current ANSI Z223.1 in the USA or the current CAN 1-B149 in Canada.

This vented gas fireplace heater is not for use with air filters.

For Manufactured Home Installation: This Direct Vent System Appliance must be installed in accordance with the manufacturer's installation instructions and Manufactured Home Construction and Safety Standard Title 24 CFR, Part 3280, or the current Standard for Fire Safety Criteria for Manufactured Home Installation, Sites, and Communities ANSI/NFPA 501A, and with CAN/CSA Z240 MH Mobile Home Standard in Canada.

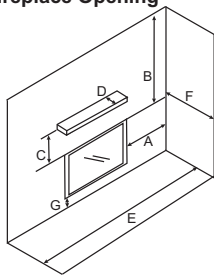
This appliance is only for use with the type of gas indicated on the rating plate and may be installed in an aftermarket, permanently located, manufactured (mobile) home where not prohibited by local codes. See owner's manual for details. This appliance is not convertible for use with other gases, unless a certified kit is used (Kit #526-969). Certified for use with Heat Wave (Kit #946-556).

For use with glass doors certified with the appliance only.
 Electrical Supply: 6.0 VDC

NOT FOR USE WITH SOLID FUEL

Minimum Clearances to Combustibles from Fireplace Opening

Side Walls	*A	14-3/4" (375mm)
Ceiling	B	52" (813mm)
Min. Mantel Height	C	16-1/2" (419mm)
Max. Mantel Depth	**D	13" (330mm)
Alcove Width	E	84" (2134mm)
Alcove Depth	F	36" (914mm)
Finished Floor	G	3" (76mm)



Refer to Manual for complete Clearance Details
 * Alcove side wall must have a min. of 14-3/4" (375mm) clearance on one side.
 ** Mantel depth taken at 26-1/2" (673mm) from front facing.

FPI Fireplace Products International Ltd., Delta BC, CANADA
 MADE IN CANADA / FABRIQUE AU CANADA

918-760

MA Code - CO Detector (for the State of Massachusetts only)

5.08: Modifications to NFPA-54, Chapter 10

(2) Revise 10.8.3 by adding the following additional requirements:

(a) For all side wall horizontally vented gas fueled equipment installed in every dwelling, building or structure used in whole or in part for residential purposes, including those owned or operated by the Commonwealth and where the side wall exhaust vent termination is less than seven (7) feet above finished grade in the area of the venting, including but not limited to decks and porches, the following requirements shall be satisfied:

1. **INSTALLATION OF CARBON MONOXIDE DETECTORS.** At the time of installation of the side wall horizontal vented gas fueled equipment, the installing plumber or gasfitter shall observe that a hard wired carbon monoxide detector with an alarm and battery back-up is installed on the floor level where the gas equipment is to be installed. In addition, the installing plumber or gasfitter shall observe that a battery operated or hard wired carbon monoxide detector with an alarm is installed on each additional level of the dwelling, building or structure served by the side wall horizontal vented gas fueled equipment. It shall be the responsibility of the property owner to secure the services of qualified licensed professionals for the installation of hard wired carbon monoxide detectors

a. In the event that the side wall horizontally vented gas fueled equipment is installed in a crawl space or an attic, the hard wired carbon monoxide detector with alarm and battery back-up may be installed on the next adjacent floor level.

b. In the event that the requirements of this subdivision can not be met at the time of completion of installation, the owner shall have a period of thirty (30) days to comply with the above requirements; provided, however, that during said thirty (30) day period, a battery operated carbon monoxide detector with an alarm shall be installed.

2. **APPROVED CARBON MONOXIDE DETECTORS.** Each carbon monoxide detector as required in accordance with the above provisions shall comply with NFPA 720 and be ANSI/UL 2034 listed and IAS certified.

3. **SIGNAGE.** A metal or plastic identification plate shall be permanently mounted to the exterior of the building at a minimum height of eight (8) feet above grade directly in line with the exhaust vent terminal for the horizontally vented gas fueled heating appliance or equipment. The sign shall read, in print size no less than one-half (1/2) inch in size, "**GAS VENT DIRECTLY BELOW. KEEP CLEAR OF ALL OBSTRUCTIONS**".

4. **INSPECTION.** The state or local gas inspector of the side wall horizontally vented gas fueled equipment shall not approve the installation unless, upon inspection, the inspector observes carbon monoxide detectors and signage installed in accordance with the provisions of 248 CMR 5.08(2)(a)1 through 4.

(b) **EXEMPTIONS:** The following equipment is exempt from 248 CMR 5.08(2)(a)1 through 4:

1. The equipment listed in Chapter 10 entitled "Equipment Not Required To Be Vented" in the most current edition of NFPA 54 as adopted by the Board; and

2. Product Approved side wall horizontally vented gas fueled equipment installed in a room or structure separate from the dwelling, building or structure used in whole or in part for residential purposes.

(c) **MANUFACTURER REQUIREMENTS - GAS EQUIPMENT VENTING SYSTEM PROVIDED.** When the manufacturer of Product Approved side wall horizontally vented gas equipment provides a venting system design or venting system components with the equipment, the instructions provided by the manufacturer for installation of the equipment and the venting system shall include:

1. Detailed instructions for the installation of the venting system design or the venting system components; and

2. A complete parts list for the venting system design or venting system.

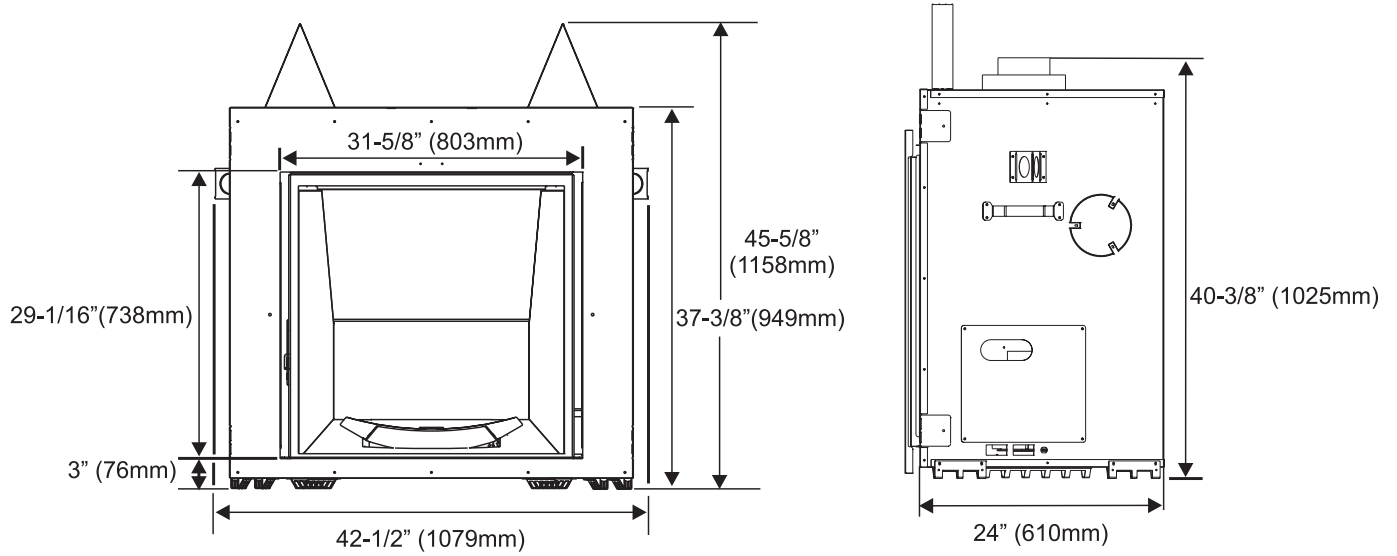
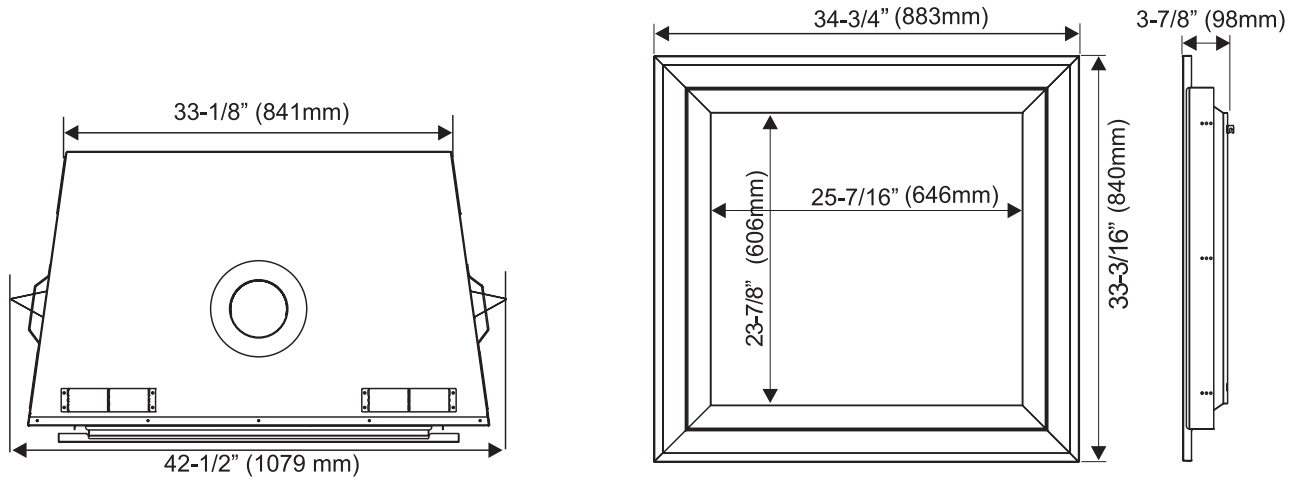
(d) **MANUFACTURER REQUIREMENTS - GAS EQUIPMENT VENTING SYSTEM NOT PROVIDED.** When the manufacturer of a Product Approved side wall horizontally vented gas fueled equipment does not provide the parts for venting the flue gases, but identifies "special venting systems", the following requirements shall be satisfied by the manufacturer:

1. The referenced "special venting system" instructions shall be included with the appliance or equipment installation instructions; and

2. The "special venting systems" shall be Product Approved by the Board, and the instructions for that system shall include a parts list and detailed installation instructions.

(e) A copy of all installation instructions for all Product Approved side wall horizontally vented gas fueled equipment, all venting instructions, all parts lists for venting instructions, and/or all venting design instructions shall remain with the appliance or equipment at the completion of the installation.

UNIT DIMENSIONS



IMPORTANT MESSAGE SAVE THESE INSTRUCTIONS

The L676S Direct Vent Fireplace must be installed in accordance with these instructions. Carefully read all the instructions in this manual first. Consult the "authority having jurisdiction" to determine the need for a permit prior to starting the installation. It is the responsibility of the installer to ensure this fireplace is installed in compliance with manufacturers instructions and all applicable codes.

BEFORE YOU START

Safe installation and operation of this appliance requires common sense, however, we are required by the Canadian Safety Standards and ANSI Standards to make you aware of the following:

INSTALLATION AND REPAIR SHOULD BE DONE BY AN AUTHORIZED SERVICE PERSON. THE APPLIANCE SHOULD BE INSPECTED BEFORE USE AND AT LEAST ANNUALLY BY A PROFESSIONAL SERVICE PERSON. MORE FREQUENT CLEANING MAY BE REQUIRED DUE TO EXCESSIVE LINT FROM CARPETING, BEDDING MATERIAL, ETC. IT IS IMPERATIVE THAT CONTROL COMPARTMENTS, BURNERS AND CIRCULATING AIR PASSAGEWAYS OF THE APPLIANCE BE KEPT CLEAN.

DUE TO HIGH TEMPERATURES, THE APPLIANCE SHOULD BE LOCATED OUT OF TRAFFIC AND AWAY FROM FURNITURE AND DRAPERIES.

WARNING: FAILURE TO INSTALL THIS APPLIANCE CORRECTLY WILL VOID YOUR WARRANTY AND MAY CAUSE A SERIOUS HOUSE FIRE.

CHILDREN AND ADULTS SHOULD BE ALERTED TO THE HAZARDS OF HIGH SURFACE TEMPERATURES, ESPECIALLY THE FIREPLACE GLASS, AND SHOULD STAY AWAY TO AVOID BURNS OR CLOTHING IGNITION.



YOUNG CHILDREN SHOULD BE CAREFULLY SUPERVISED WHEN THEY ARE IN THE SAME ROOM AS THE APPLIANCE.

CLOTHING OR OTHER FLAMMABLE MATERIAL SHOULD NOT BE PLACED ON OR NEAR THE APPLIANCE.

GENERAL SAFETY INFORMATION

- 1) The appliance installation must conform with local codes or, in the absence of local codes, with the current Canadian or National Gas Codes, CAN1-B149 or ANSI Z223.1 Installation Codes.
- 2) The appliance when installed, must be electrically grounded in accordance with local codes, or in the absence of local codes with the current National Electrical Code, ANSI/NFPA 70 or CSA C22.1 Canadian Electrical Code.
- 3) See general construction and assembly instructions. The appliance and vent should be enclosed.
- 4) This appliance must be connected to the specified vent and termination cap to the outside of the building envelope. Never vent to another room or inside a building. Make sure that the vent is fitted as per Venting instructions.
- 5) Inspect the venting system annually for blockage and any signs of deterioration.
- 6) Venting terminals shall not be recessed into a wall or siding.
- 7) Any safety glass removed for servicing must be replaced prior to operating the appliance.
- 8) To prevent injury, do not allow anyone who is unfamiliar with the operation to use the fireplace.
- 9) Wear gloves and safety glasses for protection while doing required maintenance.
- 10) Be aware of electrical wiring locations in walls and ceilings when cutting holes for termination.
- 11) Under no circumstances should this appliance be modified. Parts that have to be removed for servicing should be replaced prior to operating this appliance.

12) Installation and any repairs to this appliance should be done by an authorized service person. A professional service person should be called to inspect this appliance annually. Make it a practice to have all of your gas appliances checked annually.

13) Do not slam shut or strike the glass door.

14) Under no circumstances should any solid fuels (wood, paper, cardboard, coal, etc.) be used in this appliance.

15) The appliance area must be kept clear and free of combustible materials, (gases and other flammable vapours and liquids).

Emissions from burning wood or gas could contain chemicals known to the State of California to cause cancer, birth defects or other reproductive harm.

INSTALLATION CHECKLIST

- 1) Locate appliance
 - a) Room location (Refer to "Locating Your Gas fireplace" section)
 - b) Clearances to Combustibles (Refer to "Clearances" section)
 - c) Mantle Clearances (Refer to "Mantle Clearances" section)
 - d) Framing & Finishing Requirements (Refer to "Framing & Finishing" section)
 - e) Venting Requirements (Refer to "Venting" section)
- 2) Assemble Top and Side Standoffs (Refer to "Unit Assembly Prior to Installation").
- 3) Install batteries; four "AA" batteries in the wall mounted receiver; three "AAA" batteries in the remote control and one "AA" battery into the DC Sparker(p.36). (Refer to remote control manual for operating instructions).
- 4) Convert to propane if desired (Refer to "Conversion from NG to LP" section).
- 5) Slide unit into place.
- 6) Install vent (Refer to "Venting Arrangement" sections).
- 7) Make gas connections (Refer to "Gas Line Installation section).
- 8) Test the pilot (Refer to "Pilot Adjustment" section).

INSTALLATION

- 9) Test Gas Pressure (Refer to "Gas Pipe Pressure Testing" section).
- 10) Install standard and optional features. Refer to the following sections:
 - a) Inside Panels
 - b) Glass Crystals or Ceramic Stones
 - c) Remote Control - refer to "Matching Remote Handset & Control Box ID Code" section.
 - d) Outer Faceplate
- 11) Final check.

Before leaving this unit with the customer, the installer must ensure that the appliance is firing correctly and **operation fully explained to customer.**

This includes:

- 1) Clocking the appliance to ensure the correct firing rate (rate noted on label 29,000 (NG) Btu/h, 26,000 (LP) Btu/h) after burning appliance for 15 minutes.
- 2) If required, adjusting the primary air to ensure that the flame does not carbon. First allow the unit to burn for 15-20 min. to stabilize.

CAUTION: Any alteration to the product that causes sooting or carboning that results in damage is not the responsibility of the manufacturer.

MANUFACTURED MOBILE HOME ADDITIONAL REQUIREMENTS

- 1) Ensure that structural members are not cut or weakened during installation.
- 2) Ensure proper grounding using the #8 ground lug provided. See "Wiring Diagram" section.

LOCATING YOUR GAS FIREPLACE

- 1) When selecting a location for your fireplace, ensure that the clearances are met.
- 2) The appliance must be installed on a flat, solid, continuous surface (e.g. wood, metal, concrete). This may be the floor, or raised up on a platform to enhance its visual impact. The appliance must be installed on a metal or wood panel extending the full width and depth of the appliance.

- 3) The L676S Direct Vent Gas Fireplace can be installed in a recessed position or framed out into the room as in A, B, C and D. See Diagram 1.

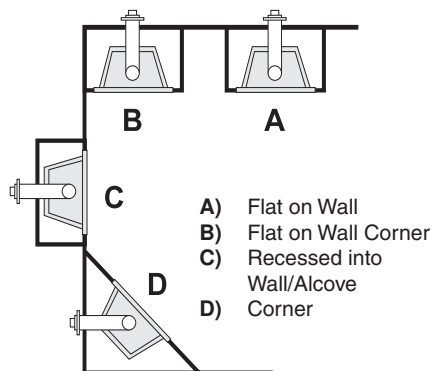


Diagram 1

- 4) This appliance is Listed for bedroom installations using the standard Remote (millivolt thermostat system). Some areas may have further requirements, check local codes before installation.
- 5) The L676S Direct Vent Gas Fireplace is approved for alcove installations, see "Clearances" section for details.
- 6) We recommend that you plan your installation on paper using exact measurements for clearances and floor protection before actually installing this appliance. Have an authorized inspector, dealer, or installer review your plans before installation.

Note: For vent terminations refer to "Exterior Vent Termination Locations" section.

HEATWAVE DUCT KIT

The **HeatWave** Air Duct Kit increases the effectiveness of your fireplace by dispersing warm air from the fireplace to remote locations in the same room or other rooms in your home.

Up to two kits may be installed on the fireplace. **Please Note:** Only 1 HeatWave kit may be operated at one time.

See HeatWave installation manual for complete details and clearances from side only.



The **HeatWave** Duct Kit has different clearance and framing requirements, check the **HeatWave** manual for details.

HEAT RELEASE KIT

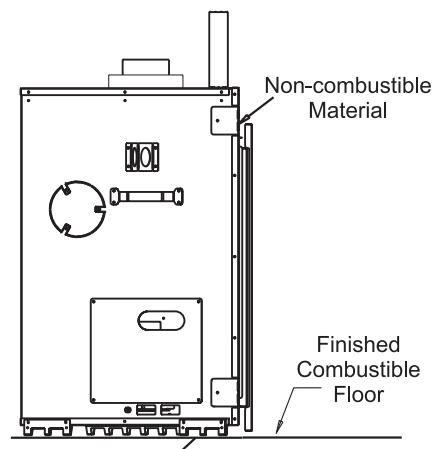
The Heat Release Kit expels warm air from the fireplace to the outside of the building, allowing the fireplace to be operated with less heat entering the room. The kit may be used on either the left or right side.

See Heat Release installation manual for complete details and clearances from side only.

FINISHED FLOOR

The maximum height that combustible floor can be brought above the base of the unit is 0".

Note: If finished floor is any higher than the base of the unit, the faceplate will not fit into place.



CLEARANCES

The clearances listed below are Minimum distances unless otherwise stated:

A major cause of chimney related fires is failure to maintain required clearances (air space) to combustible materials. It is of the greatest importance that this fireplace and vent system be installed only in accordance with these instructions.

Caution Requirements

The top, back and sides of the fireplace are defined by standoffs. The metal ends of the standoff may **NOT** be recessed into combustible construction.

Clearance to Combustibles from:

Back	0"	(0mm)
Side	0"	(0mm)
Floor	0"	(0mm)

Minimum Clearance from Top of Front Facing:

Mantel	min. 16-1/2"	(419mm)
Ceiling	52"	(813mm) from top of front facing

Side Wall to Unit:

14-3/4** (375mm)

Horizontal Vent Clearances to Combustibles:

Top	3"	(76mm)
Side	2"	(51mm)
Bottom	2"	(51mm)

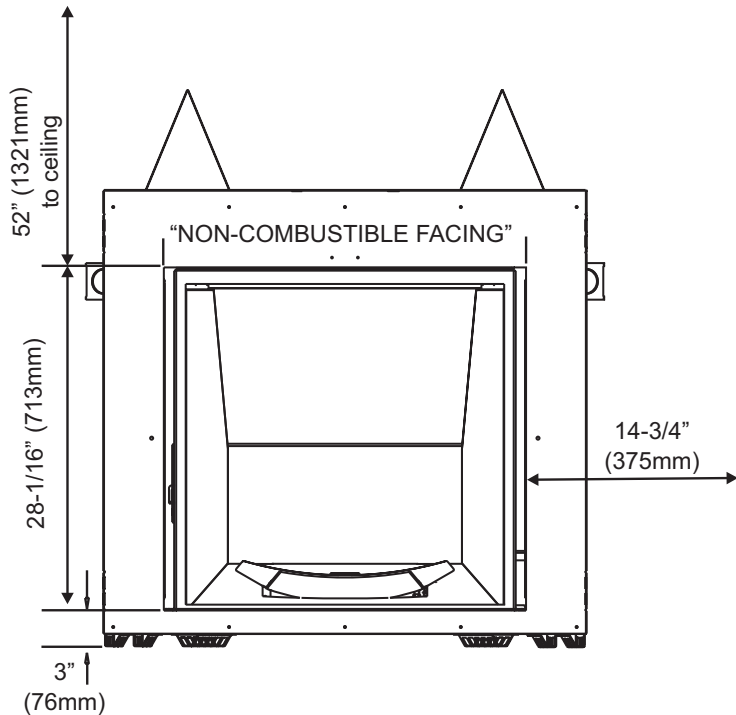
Vertical Vent Clearances to Combustibles:

All Sides	2"	(51mm)
------------------	----	--------

Alcove Clearances:

Min. Depth	36"	(914mm)
Min. Width*	84"	(2134mm)
Min. Height	84"	(2032mm)

* Alcove side wall must have a minimum of 14-3/4" (375mm) clearance on one side.



NOTE: Only materials such as, but not limited to durarock, wonderboard and concrete board may be put on the front face of this appliance. See specific requirements under "Framing and Finishing" section.

IMPORTANT: One set of inner panels must be installed (see P 32). The operation of this unit without inner panels is prohibited.

WARNING

Fire hazard is an extreme risk if these clearances (air space) to combustible materials are not adhered to. It is of greatest importance that this fireplace and vent system be installed only in accordance with these instructions.

IMPORTANT

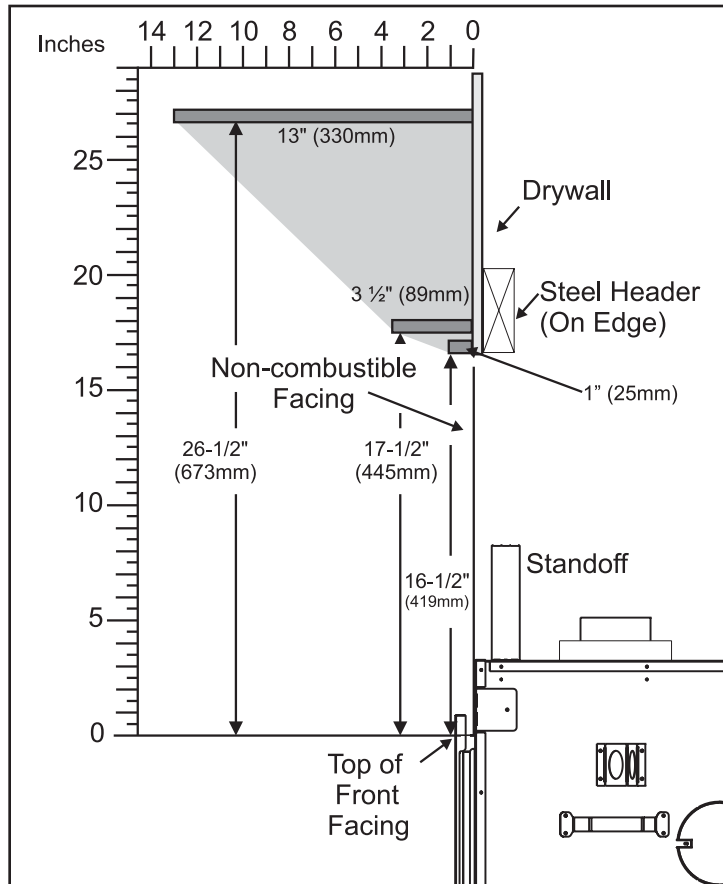
If converting this unit to LP, it is highly recommended the conversion be done **BEFORE** the unit is slid into position for ease of conversion. See "Conversion from NG to LP" section for instructions.

INSTALLATION

MANTEL CLEARANCES

Because of the extreme heat this fireplace emits, the mantel clearances are critical. Combustible mantel clearances from top of front facing are shown in the diagram below.

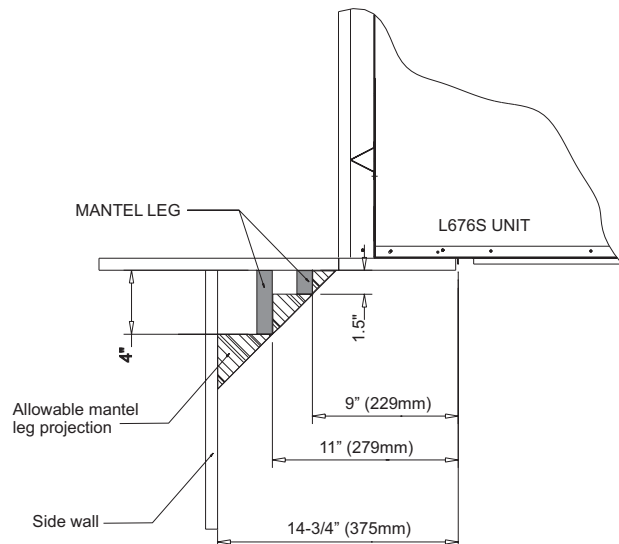
Note: A non-combustible mantel may be installed at a lower height if the framing is made of metal studs covered with a non-combustible board.



Note: Ensure the paint that is used on the mantel and the facing is "heat resistant" or the paint may discolour.

MANTEL LEG CLEARANCES

Combustible mantel leg clearances as per diagram:



FRAMING

- 1) Frame in the enclosure for the unit with framing material. The framed opening for the assembled kit is 45-7/8" high x 43" wide x 24-1/2" deep (1143mm x H 1092mm W x 622mm D). See Diagram 1. Also see Diagram 2 for corner installations.

IMPORTANT: Header must be metal stud. All other framing may be of combustible type such as 2x4 / 2x6 framing materials.

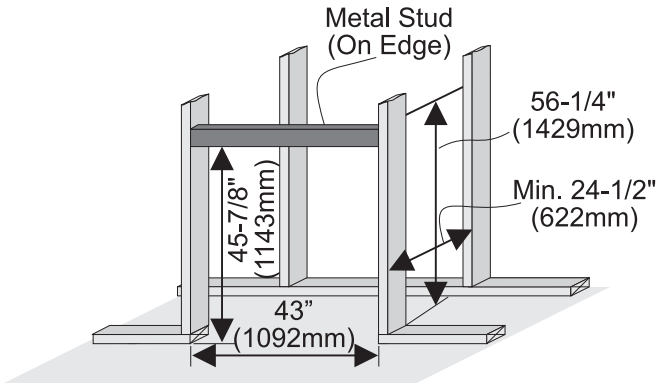


Diagram 1

Framing

Note: The 24-1/2" flush framing depth (and the corner framing installation) are based upon 1/2" drywall around the perimeter of the fireplace on all three sides.

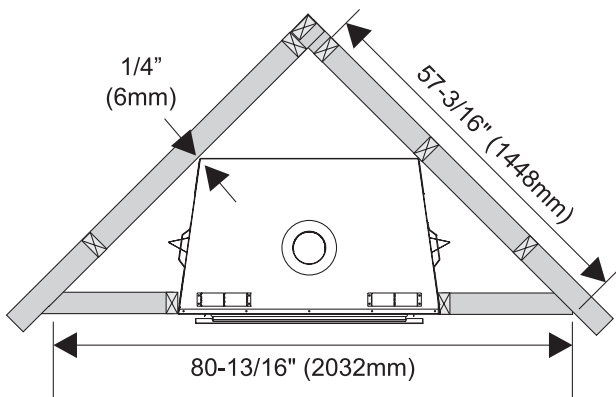


Diagram 2

- Note: When constructing the framed opening, please ensure there is access to install the gas lines when the unit is installed. See Diagram 3 for details.**

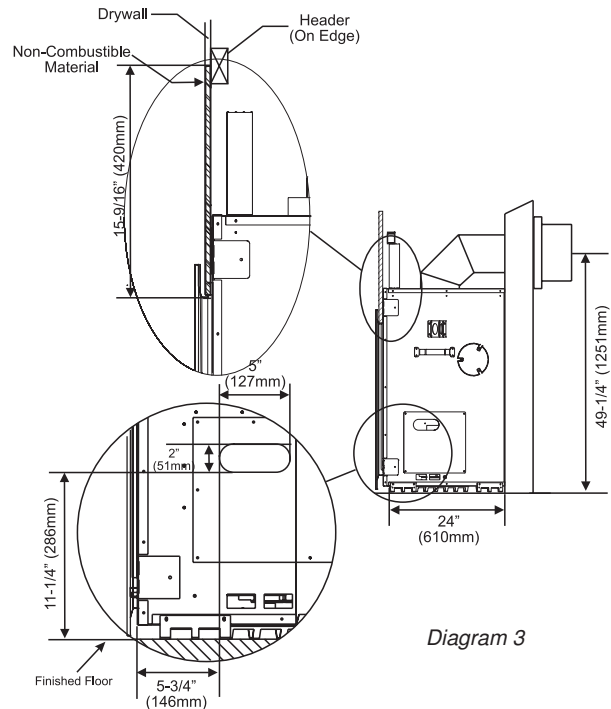


Diagram 3

- 2) For exterior walls, insulate the enclosure to the same degree as the rest of the house, apply vapour barrier and drywall, as per local installation codes. **(Do not insulate the fireplace itself.)**
- 3) The unit does not have to be completely enclosed in a chase. You must maintain clearances from the vent to combustible materials: See "Clearances" section. Combustible materials can be laid against the side and back standoffs and the stove base.

IMPORTANT

If converting this unit to LP, it is highly recommended the conversion be done **BEFORE** the unit is slid into position for ease of conversion. See "Conversion from NG to LP" section for instructions.

FINISHING

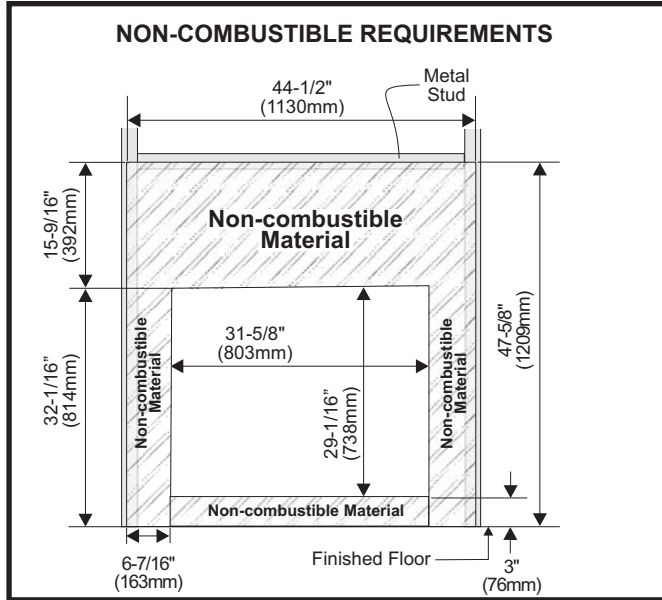


Diagram 1

Note: All non-combustible facing material should butt up cleanly to the flanges around the firebox opening.

Rough edges may be visible, from an angle, through the 1/2" gap behind the faceplate.

To obtain a clean edge, facing material edges may be finished with a J-style trim or metal corner bead (both materials available at your local building or hardware outlet) see diagram 2.

Important: Materials used must be NON-COMBUSTIBLE

- 1) Finishing material such as tile, river rock, etc. **must not** protrude beyond the front facing flanges on all 4 sides of the firebox opening.
- 2) If material such as brick, stone, etc. extends past the faceplate depth, when finishing around the faceplate, the minimum opening dimension noted below (Diagram 3) must be adhered to - to ensure the faceplate can be removed.

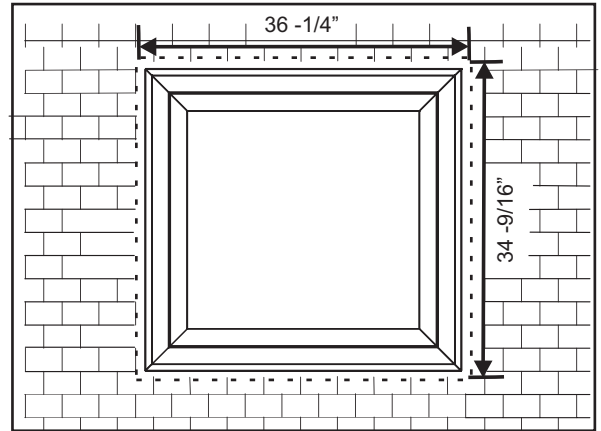


Diagram 3

Important:

A 3/4" gap **must** be maintained all around the outer edge of the faceplate and the edge of any finishing material thicker than 1-1/4" (see diagram 4).

This gap is required to facilitate the installation of the faceplate and to ensure the removal of the faceplate for service access.

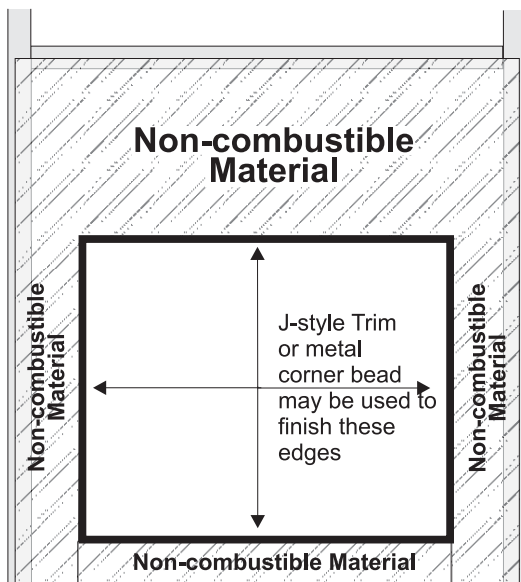


Diagram 2

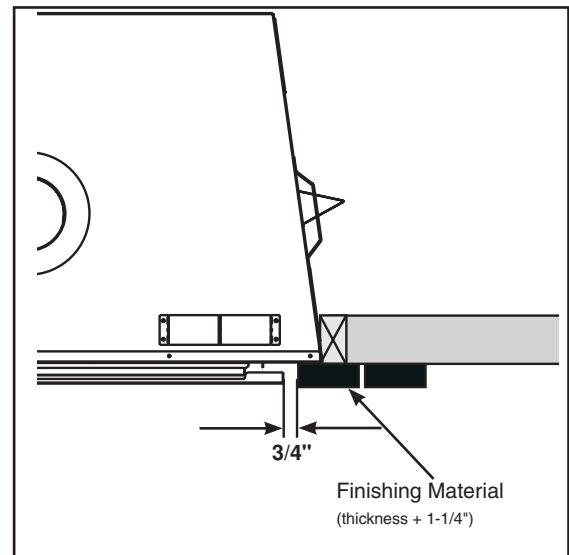


Diagram 4

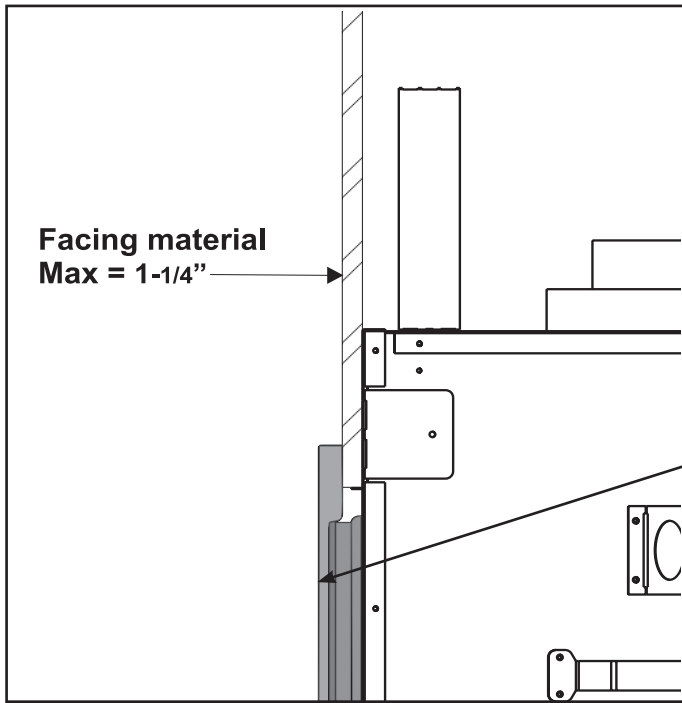


Diagram 5

To accommodate various thicknesses of facing material - the faceplate is adjustable to a maximum of 1-1/4" and a minimum of 1/2". See chart below and page 35 for detailed instructions.

Finished Facing Thickness	Faceplate Adjustment
1/2"	Factory Setting
1/2" - 7/8" (or less)	Adjusted to + 3/8"
7/8" - 1-1/4" (or less)	Adjusted to + 3/4"

INSTALLATION

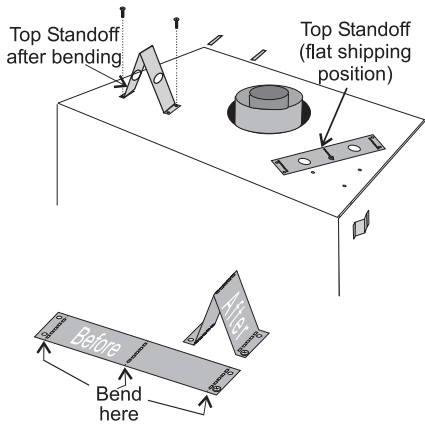
UNIT ASSEMBLY PRIOR TO INSTALLATION

The Top Facing Support, the Side Nailing Strips and the 2 Top Standoffs must be correctly positioned and attached to the top before unit is slipped into position.

TOP STANDOFF ASSEMBLY

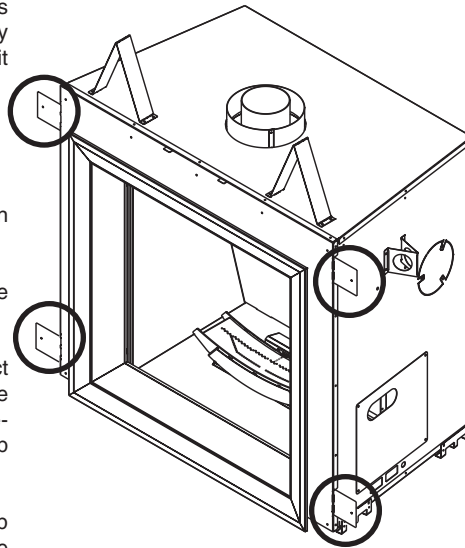
The top standoffs are shipped in a flat position and must be folded into shape and attached.

- 1) Remove the standoffs from the fireplace top.
- 2) Take each standoff and bend into the correct shape. Bend up at the bend lines until the screw holes in the standoff and the pre-punched screw holes on the fireplace top line up.
- 3) Attach the standoff securely to the top with 2 screws per standoff (on opposite corners).



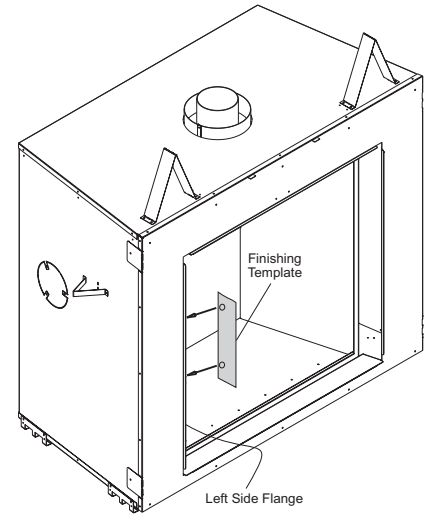
SIDE NAILING STRIPS

The side nailing strips come attached to the unit. There are 2 plates on each side, one on the top and bottom that can be folded out as required.



Side Nailing Strips shown folded out.

The Finishing Template uses two magnets to attach itself to the flange on the left or right side of the unit (see diagram below). Install the facing material up to the outside edge (when facing the unit) of the finishing template. This template may be discarded after the facing material has been installed.



FINISHING TEMPLATE

In order to maintain a clean face; the L676S allows for a 1/8" in overlap of finishing material, such as rock or tile, on both the left and right hand sides of the unit (top and bottom sides do not allow for an overlap), this overlap must not be exceeded or the glass door will no longer open properly.

Non-combustible wall board is installed up to the flanges on all sides of the unit. When installing any additional facing material use the Finishing Template (included with the unit) to ensure that the finishing material does not exceed the allowable overlap.

VENTING INTRODUCTION

The L676S uses the "balanced flue" technology Co Axial system. The inner liner vents products of combustion to the outside while the outer liner draws outside combustion air into the combustion chamber thereby eliminating the need to use heated room air for combustion and losing warm room air up the chimney.

Note: These flue pipes must not be connected to any other appliance.

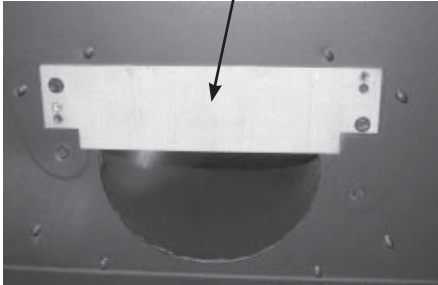
The gas appliance and vent system must be vented directly to the outside of the building, and never be attached to a chimney serving a separate solid fuel or gas burning appliance. Each direct vent gas appliance must use its own separate vent system. Common vent systems are prohibited.

VENT RESTRICTOR POSITION

Vent restriction is required for certain venting installations, see the diagrams in the "Venting Arrangements" section to determine if they are required for your installation.

The Vent Restrictor plate is located on the inside top of the firebox.

Vent Restrictor Plate



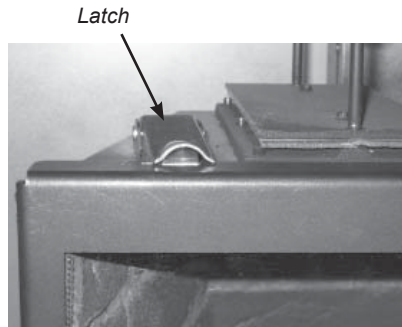
To set the vent restriction as indicated in the venting arrangements diagrams, refer to the following instructions;

- 1) Remove the faceplate.
- 2) Remove the glass door.

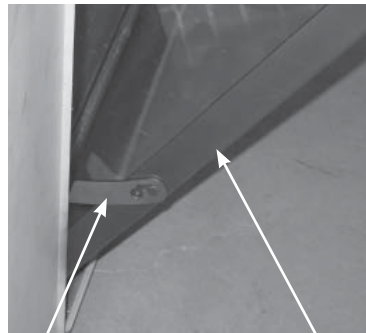
a. Release the 2 door latches on the left and right side at the top of the firebox.



Latch Location



- b. Swing the door out from the top and release the hinge on the left side of the door and lift out.

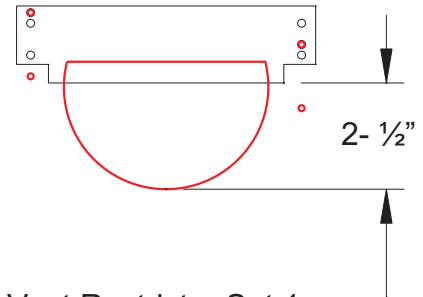


Hinge

Door

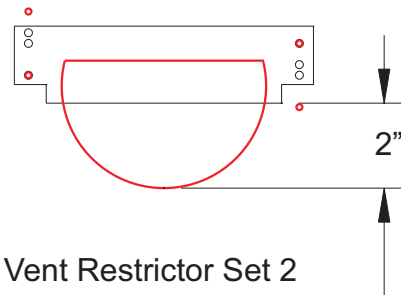
- 3) Remove the screws that hold the vent restrictor plate in place.
- 4) Adjust the vent restrictor plate to the required vent restrictor position as per the diagrams shown.
- 5) Once the vent restrictor plate is in the required position, secure with screws.

- Screws for plugging the holes. (all holes must be plugged with a screw).
- Screw holes for fixing the restrictor plate.

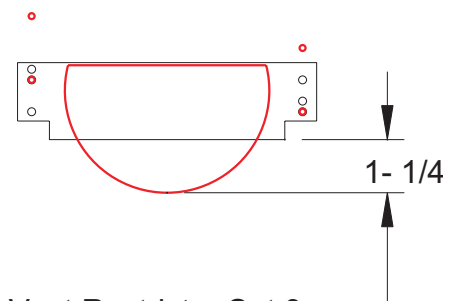


Vent Restrictor Set 1

Factory Set Vent Restrictor Set
(no adjustment required)

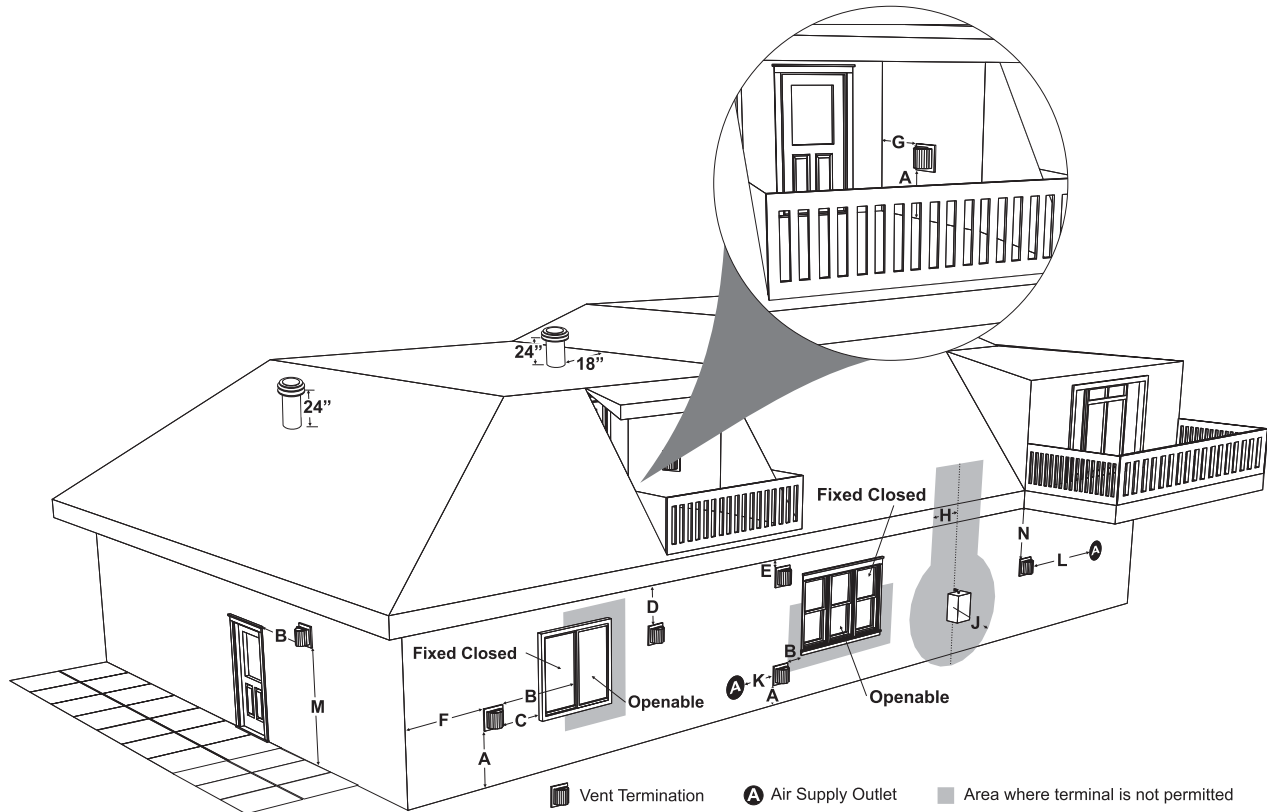


Vent Restrictor Set 2



Vent Restrictor Set 3

EXTERIOR VENT TERMINATION REQUIREMENTS



	Minimum Clearance Requirements	Canada ¹	USA ²
A	Clearance above grade, veranda, porch, deck, or balcony	12"(30cm)	12"(30cm)
B	Clearance to window or door that may be opened	12"(30cm)	9" (23cm)
C	Clearance to permanently closed window	*	*
D	Vertical clearance to ventilated soffit located above the terminal within a horizontal distance of 2 feet (61cm)	24"(60cm))	24"(60cm))
E	Clearance to unventilated soffit	24"(60cm)	24"(60cm)
F	Clearance to outside corner: with AstroCap Termination Cap.	13"(33cm)	13"(33cm)
	Clearance to outside corner: with all other approved Termination Caps.	13"(33cm)	13"(33cm)
G	Clearance to inside corner: with AstroCap Termination Cap	13"(33cm)	13"(33cm)
	Clearance to inside corner: with all other approved Termination Caps.	13"(33cm)	13"(33cm)
H	Clearance to each side of center line extended above meter/regulator assembly	36"(90cm) ^a	*
J	Clearance to service regulator vent outlet	36"(90cm)	*
K	Clearance to non-mechanical air supply inlet to building or the combustion air inlet to any other appliance	12"(30cm)	9" (23cm)
L	Clearance to a mechanical air supply inlet	72"(1.8m)	36"(90cm) ^b
M	Clearance above paved sidewalk or a paved driveway located on public property	84"(2.1m)	*
N	Clearance under veranda, porch, deck, or balcony	12"(30cm) [‡]	*

¹ In accordance with current CSA B149.1, *Natural Gas and Propane Installation Code*

² In accordance with the current ANSI Z223.1/NFPA 54, *National Fuel Gas Code*

[‡] A vent shall not terminate directly above a sidewalk or paved driveway which is located between two single family dwellings and serves both dwellings

[‡] Permitted only if veranda, porch, deck, or balcony is fully open on a minimum of two sides beneath the floor

* Clearance in accordance with local installation codes and the requirements of the gas supplier

^a 3 feet (91cm) within a height of 15 feet (4.5m) above the meter / regulator assembly

^b 3 feet (91cm) above - if within 10 feet (3m) horizontally

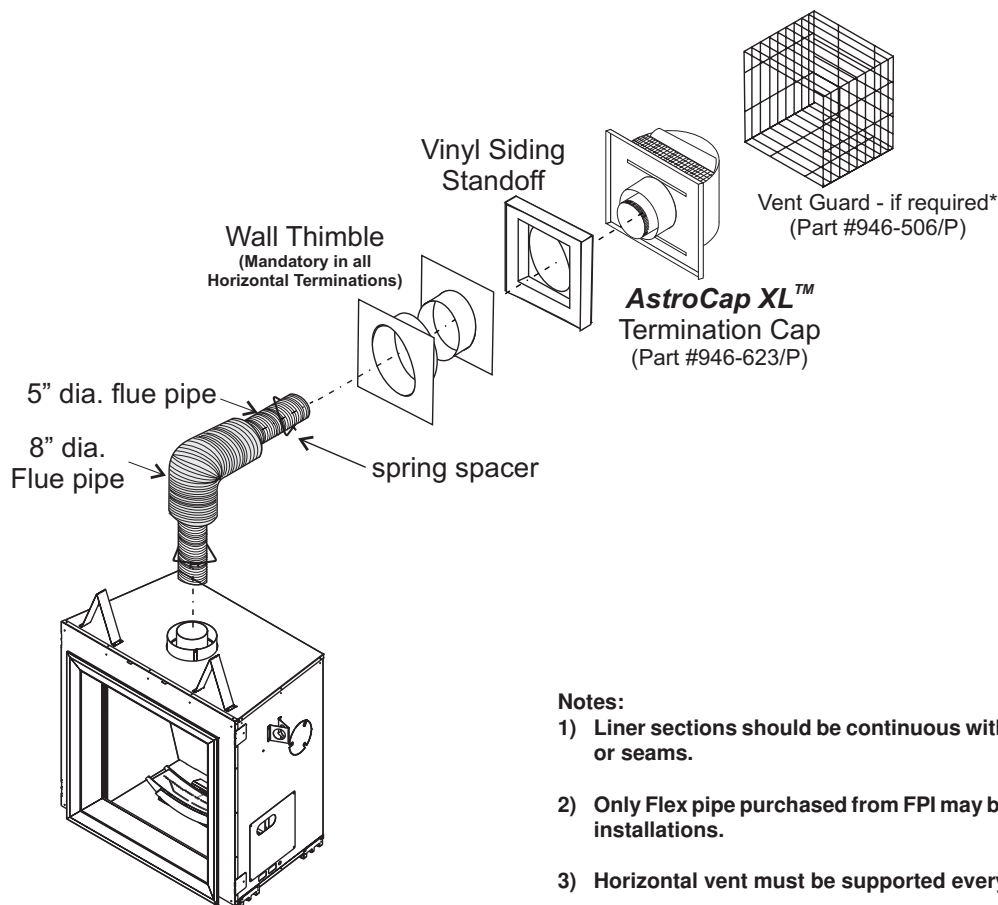
VENTING ARRANGEMENTS

HORIZONTAL TERMINATION (FLEX) Regency® Direct Vent System

These venting systems, in combination with the L676S, have been tested and listed as a direct vent system by Warnock Hersey. The location of the termination cap must conform to the requirements in the Vent Terminal Locations diagram from the "Exterior Vent Termination Locations" section.

FPI Direct Vent (Flex) System Termination Kits include all the parts needed to install the L676S using a flexible vent.

FPI Kit #	Length	Contains:
#946-615	4 Feet	1) 8" flexible liner (Kit length) 2) 5" flexible liner (Kit length)
#946-618	6 Feet	3) spring spacers 4) thimble 5) AstroCap termination cap
#946-616	10 Feet	6) screws 7) tube of Mill Pac 8) plated screws 9) S.S. screws #8 x 1-1/2" drill point 10) vinyl siding standoff



Notes:

- 1) Liner sections should be continuous without any joints or seams.
- 2) Only Flex pipe purchased from FPI may be used for Flex installations.
- 3) Horizontal vent must be supported every 3 feet.
- 4) A wall thimble is mandatory for all horizontal terminations due to high temperatures.

RIGID PIPE VENTING SYSTEMS

BASIC HORIZONTAL & VERTICAL TERMINATIONS

Rigid Pipe Vent Systems offer a complete line of component parts for installation of both horizontal and vertical installations. Many items are offered in decorative black, as well as galvanized finish.

The minimum components required for a basic horizontal termination are:

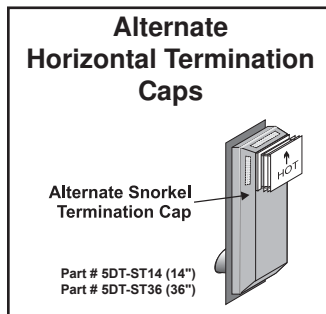
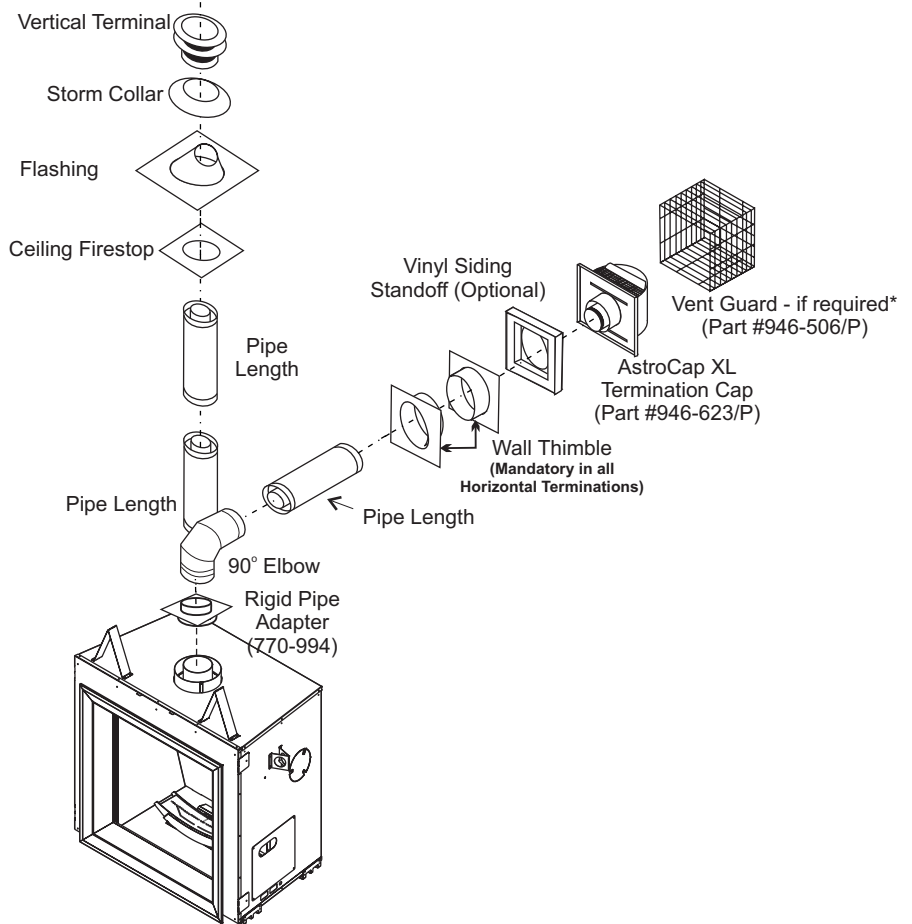
- 1 AstroCap XL
- 1 90° Elbow
- 1 Rigid Pipe Adaptor
- 1 Wall Thimble
- 1 Length of pipe to suit wall thickness

The minimum components required for a basic vertical termination are:

- 1 Vertical Termination Cap
- 1 Rigid Pipe Adaptor
- 1 Lengths of pipe to adequately penetrate roof
- 1 Ceiling Firestop
- 1 Flashing
- 1 Storm Collar

Wall thickness is measured from the back standoffs to the inside mounting surface of termination cap. For siding other than vinyl furring strips may be used, instead of the vinyl siding standoff, to create a level surface to mount the vent terminal. The Terminal must not be recessed into siding. Measure the wall thickness including furring strips.

If a Vinyl Siding Standoff is required (it must be used with vinyl siding), measure to outside surface of wall without siding and add 2 inches.



WARNING:

Do not combine venting components from different venting systems.

Exception: However, use of the AstroCap XL™ is acceptable with all systems.

This product has been evaluated by Intertek for using a Rigid Pipe Adaptor in conjunction with Simpson DV Pro, Metal-Fab Sure-Seal and Selkirk Direct-Temp systems. Use of these systems with the Rigid Pipe adaptor is deemed acceptable and does not affect the Intertek WHI listing of components.

When using Rigid Vent other than Simpson Dura-Vent, 3 screws must be used to secure rigid pipe to adaptor.

The FPI AstroCap XL™ is certified for installations using FPI venting systems as well as Simpson Dura-Vent® Direct Vent Pro and Selkirk Direct-Temp. AstroCap XL™ is a proprietary trademark of FPI Fireplace Products International Ltd. Dura-Vent® and Direct Vent are registered and/or proprietary trademarks of Simpson Dura-Vent Co. Inc.

INSTALLATION

5" X 8" RIGID PIPE CROSS REFERENCE CHART

Components from different Manufacturers may not be mixed. Not All Rigid Pipe components are available directly from FPI.

INSTALLATION

Description	Simpson Direct Vent Pro [®]	Selkirk Direct-Temp [™]	Metal-Fab [®] Sure Seal
6" Pipe Length, Galvanized	58DVA-06	5DT-6	5D6
6" Pipe Length, Black	58DVA-06B	5DT-6B	5D6B
9" Pipe Length, Galvanized	58DVA-09	5DT-9	N/A
9" Pipe Length, Black	58DVA-09B	5DT-9B	N/A
12" Pipe Length, Galvanized	58DVA-12	5DT-12	5D12
12" Pipe Length, Black	58DVA-12B	5DT-12B	5D12B
18" Pipe Length, Galvanized	58DVA-18	5DT-18	5D18
18" Pipe Length, Black	58DVA-18B - N/A from FPI	5DT-18B	5D18B
24" Pipe Length, Galvanized	58DVA-24	5DT-24	5D24
24" Pipe Length, Black	58DVA-24B	5DT-24B	5D24B
36" Pipe Length, Galvanized	58DVA-36	5DT-36	5D36
36" Pipe Length, Black	58DVA-36B	5DT-36B	5D36B
48" Pipe Length, Galvanized	58DVA-48	5DT-48	5D48
48" Pipe Length, Black	58DVA-48B	5DT-48B	5D48B
60" Pipe Length, Galvanized	58DVA-60	N/A	N/A
60" Pipe Length, Black	58DVA-60B - N/A from FPI	N/A	N/A
Adjustable Length 3"-10", Galvanized	N/A	N/A	5DAL
Adjustable Length 3"-10", Black	N/A	N/A	5DALB
Extension Pipe 8-1/2", Galvanized	58DVA-08A - N/A from FPI	N/A	N/A
Extension Pipe 8-1/2", Black	58DVA-08AB	N/A	N/A
Extension Pipe 16", Galvanized	58DVA-16A - N/A from FPI	N/A	N/A
Extension Pipe 16", Black	58DVA-16AB	N/A	N/A
45° Elbow, Galvanized	58DVA-E45	5DT-EL45	N/A
45° Elbow, Black	58DVA-E45B	5DT-EL45B	N/A
45° Elbow, Swivel, Galvanized	Disc - See 58DVA-E45	N/A	5D45L
45° Elbow, Swivel, Black	Disc - See 58DVA-E45B	N/A	5D45LB
90° Elbow, Galvanized	58DVA-E90	5DT-EL90S	N/A
90° Elbow, Black	58DVA-E90B	5DT-EL90SB	N/A
90° Elbow, Swivel, Galvanized	Disc - See 58DVA-E90	N/A	5D90L
90° Elbow, Swivel, Black	Disc - See 58DVA-E90B	N/A	5D90LB
90° Starter Elbow, Swivel, Galvanized*	N/A	N/A	5D90A
Adaptor*	N/A	N/A	5DDA
Ceiling Support	58DVA-DC	5DT-CS	5DSP
Cathedral Support Box	58DVA-CS	5DT-CSS	5DRS
Wall Support/Band	58DVA-WS	5DT-WS/B	5DWS
Offset Support	58DVA-ES - N/A from FPI	5DT-OS	N/A
Wall Thimble, Black	58DVA-WT	5DT-WT	5DWT
Wall Thimble Support Box/Ceiling Support	58DVA-DC - N/A from FPI	N/A	N/A
Firestop Spacer	58DVA-FS	5DT-FS	5DFS
Trim Plate, Black	58DAV-WFS	5DT-TP	5DCP

INSTALLATION

Components from different Manufacturers may not be mixed. Not All Rigid Pipe components are available directly from FPI.

Description	Simpson Direct Vent Pro®	Selkirk Direct-Temp™	Metal-Fab® Sure Seal
Round Support / Radiation Shield	N/A	N/A	N/A
Flat Flashing	N/A	N/A	N/A
Attic Insulation Shield 12"	58DVA-IS - N/A from FPI	N/A	N/A
Basic Horizontal Termination Kit (A)	N/A	5DT-HKA	N/A
Horizontal Termination Kit (B)	58DVA-KHA	5DT-HKB	N/A
Vertical Termination Kit	58DVA-VCH	5DT-VKC	N/A
High Wind Vertical Cap	58DVA-VCH	N/A	N/A
High Wind Horizontal Cap	N/A	N/A	N/A
Horizontal Square Termination Cap	N/A	5DT-HHC	5DHT
Vertical Termination Cap	N/A	5DT-HVC	5DVT
Storm Collar	58DVA-SC	5DT-SC	5DSC
Adjustable Flashing, 0/12-6/12	58DVA-F6	5DT-AF6	5DF
Adjustable Flashing, 6/12-12/12	58DVA-F12	5DT-AF12	5DF-12
Vinyl Siding Standoff	58DVA-VSS	5DT-VS	5DVS
Vinyl Siding Shield Plate	N/A	5DT-VSP	N/A
Snorkel Termination 14"	N/A	5DT-ST14	5DST14
Snorkel Termination 36"	N/A	5DT-ST36	5DST36
Restrictor Disk	58DVA-RD	N/A	N/A
Colinear Flex Liner Adapter (3" Ø)	N/A	N/A	N/A

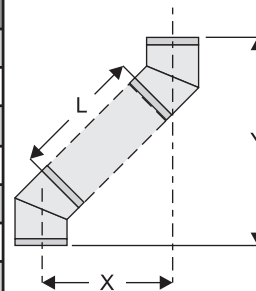
FPI			
946-604/P	Simpson Direct Vent Vent Guard (Optional)	946-623/P	AstroCap XL Horizontal Cap
770-994	Rigid Pipe Adapter (Must use with all Rigid Piping)	946-506/P	Vent Guard (Optional)
		946-625	Vinyl Siding Standoff - AstroCap XL

*NOTE: When using Metal-Fab Sure Seal Rigid Piping please note that either the Adaptor (5DDA) or 90° Starter Elbow (5D90A) must be used in conjunction with FPI Rigid Pipe Adaptor (770-994).

Offset Pipe Selection:

Use this table to determine offset pipe lengths.

Pipe Length	5" x 8" Venting	
	Run (X)	Rise (Y)
0"(0mm)	5-11/16"(144mm)	15-5/16"(389mm)
6"(152mm)	8-13/16"(224mm)	18-7/16"(468mm)
9"(229mm)	10-15/16"(278mm)	20-9/16"(522mm)
12"(305mm)	13"(330mm)	22-11/16"(576mm)
24"(610mm)	21-7/16"(697mm)	31-1/16"(789mm)
36"(914mm)	29-13/16"(757mm)	39-7/16"(1002mm)
48"(1219mm)	38-1/4"(972mm)	47-7/8"(1216mm)



For specific instructions or details on particular venting components please visit the following websites:

Simpson Direct Vent Pro: www.duravent.com

Selkirk Direct-Temp: www.selkirkcorp.com

Metal-Fab Sure Seal: www.mtfab.com

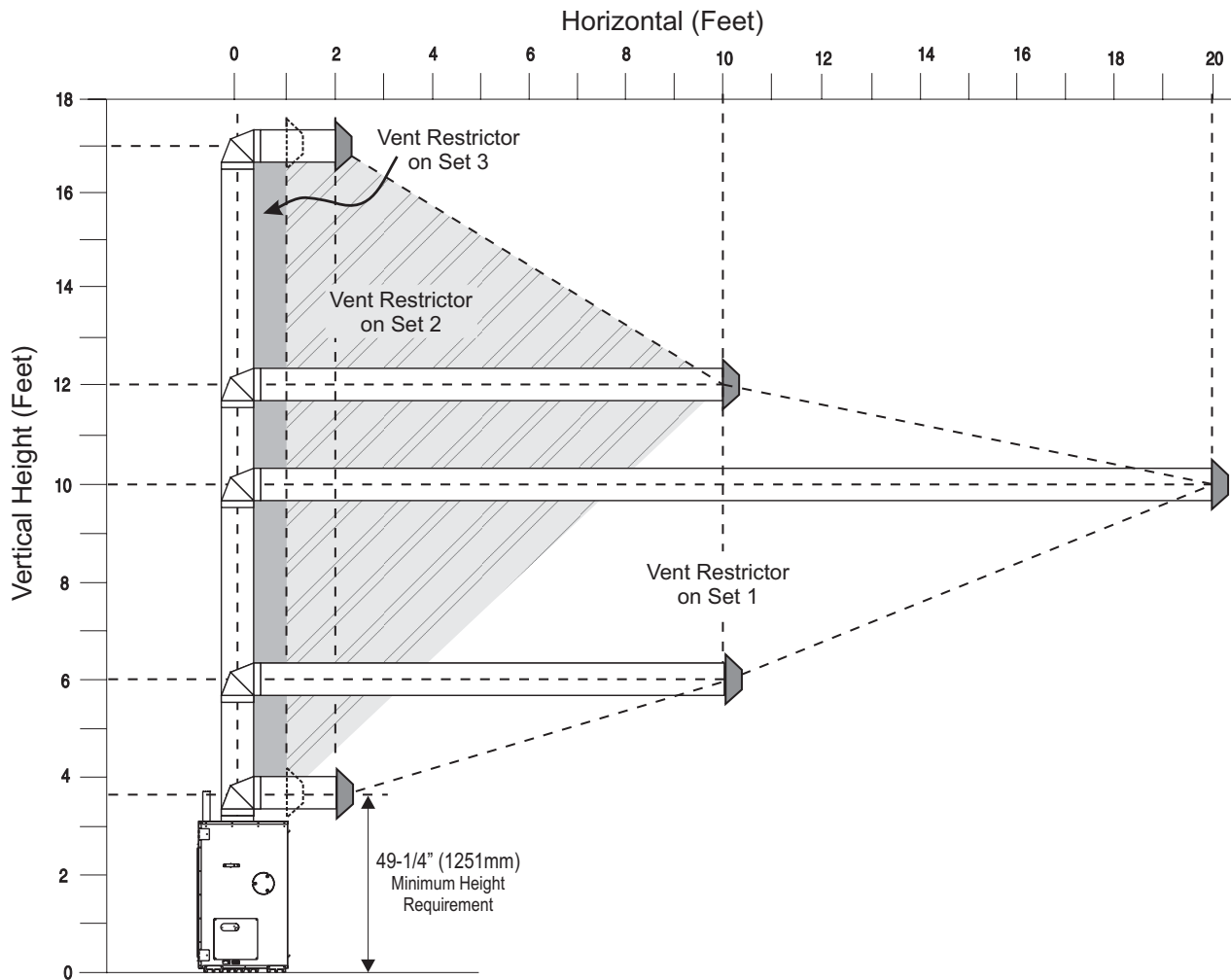
NOTE: Horizontal runs of vent must be level, or have a 1/4 inch rise for every 1 foot of run towards the termination. Never allow the vent to run downward. This could cause high temperatures and

VENTING ARRANGEMENTS

ALLOWABLE HORIZONTAL TERMINATIONS

The diagram shows all allowable combinations of vertical runs with horizontal terminations, using one 90° two 45° elbows equal one 90° elbow.

Note: Must use optional rigid pipe adapter (Part# 770-994) when using Rigid Pipe Venting Systems.



VENT RESTRICTOR SETTING:

Vent restrictor factory set, no adjustment required unless otherwise indicated.

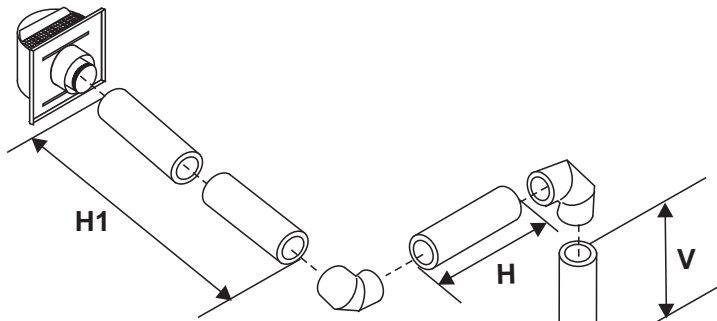
Refer to the "Vent Restrictor Position" section for details on how to change the vent restrictor from the factory setting of Set 1 to Set 2 or Set 3 if required.

Note: Regency® Direct Vent System (Flex) is only approved for horizontal terminations.

- Maintain clearances to combustibles as listed in "Clearances" section
- Horizontal vent must be supported every 3 feet.
- Firestops are required at each floor level and whenever passing through a wall.
- A wall thimble is mandatory for all horizontal terminations due to high temperatures.

INSTALLATION

Horizontal Venting with Two (2) 90° Elbows



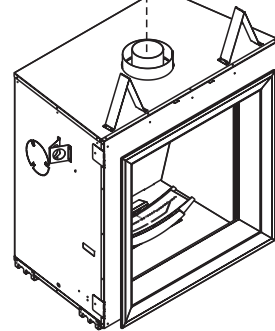
One 90° elbow = Two 45° elbows.

Option	V	H + H1
A)	2' Min.	4' Max.
B)	3' Min.	6' Max.
C)	4' Min.	8' Max.
D)	5' Min.	9' Max.
E)	6' Min.	10' Max.

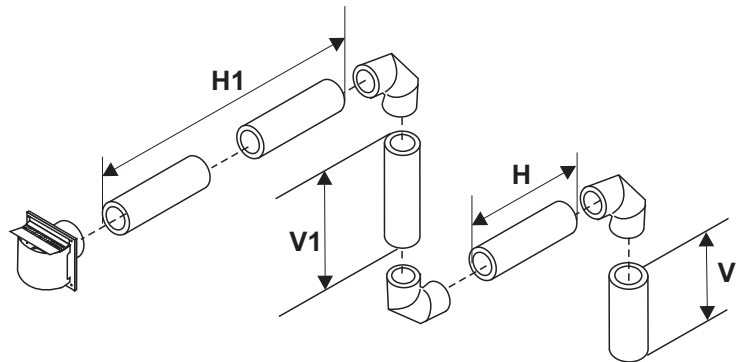
With these options, maximum total pipe length is 30 feet with minimum of 6 feet total vertical and maximum 10 feet total horizontal.

Please note minimum 1 foot between 90° elbows is required.

VENT RESTRICTOR SETTING:
Vent restrictor factory set at Set 1, no adjustment required.



Horizontal Venting with Three (3) 90° Elbows



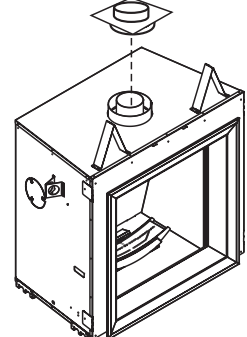
One 90° elbow = Two 45° elbows.

Option	V	H	V + V1	H + H1
A)	2' Min.	1' Max.	3' Min.	2' Max.
B)	2' Min.	2' Max.	5' Min.	4' Max.
C)	3' Min.	2' Max.	7' Min.	5' Max.
D)	4' Min.	3' Max.	9' Min.	6' Max.
E)	5' Min.	4' Max.	10' Min.	7' Max.
F)	6' Min.	6' Max.	11' Min.	9' Max.

With these options, max. total pipe length is 30 feet with min. of 11 feet total vertical and max. 9 feet total horizontal.

Please note min. 1 foot between 90° elbows is required.

VENT RESTRICTOR SETTING:
Vent restrictor factory set at Set 1, no adjustment required.

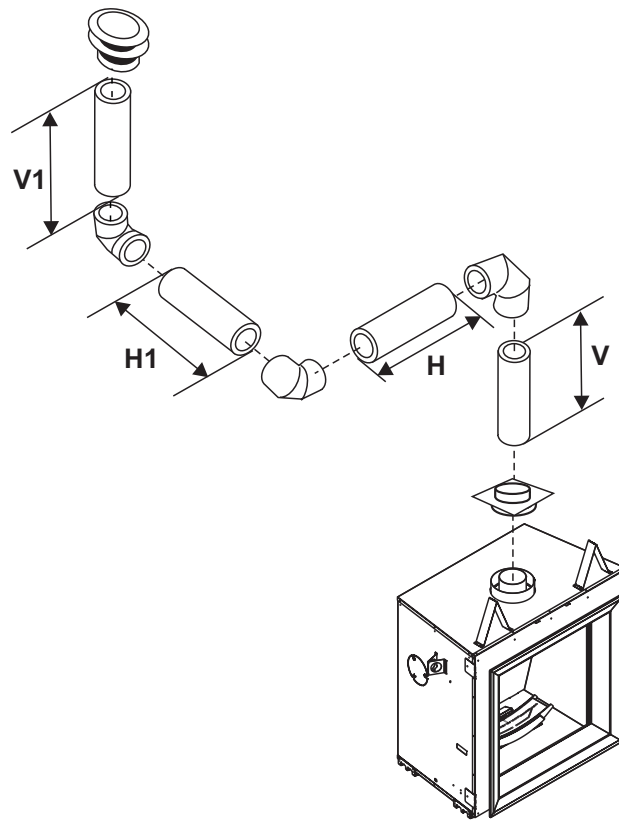


Vertical Venting with Three (3) 90° Elbows

One 90° elbow = Two 45° elbows.

Option	V	H + H1	V + V1	With these options, max. total pipe length is 30 feet with min. of 9 feet total vertical and max. 8 feet total horizontal. <i>Please note min. 1 foot between 90° elbows is required.</i>
A)	2' Min.	2' Max.	4' Min.	
B)	3' Min.	4' Max.	6' Min.	
C)	4' Min.	5' Max.	7' Min.	
D)	5' Min.	6' Max.	8' Min.	
E)	6' Min.	8' Max.	9' Min.	

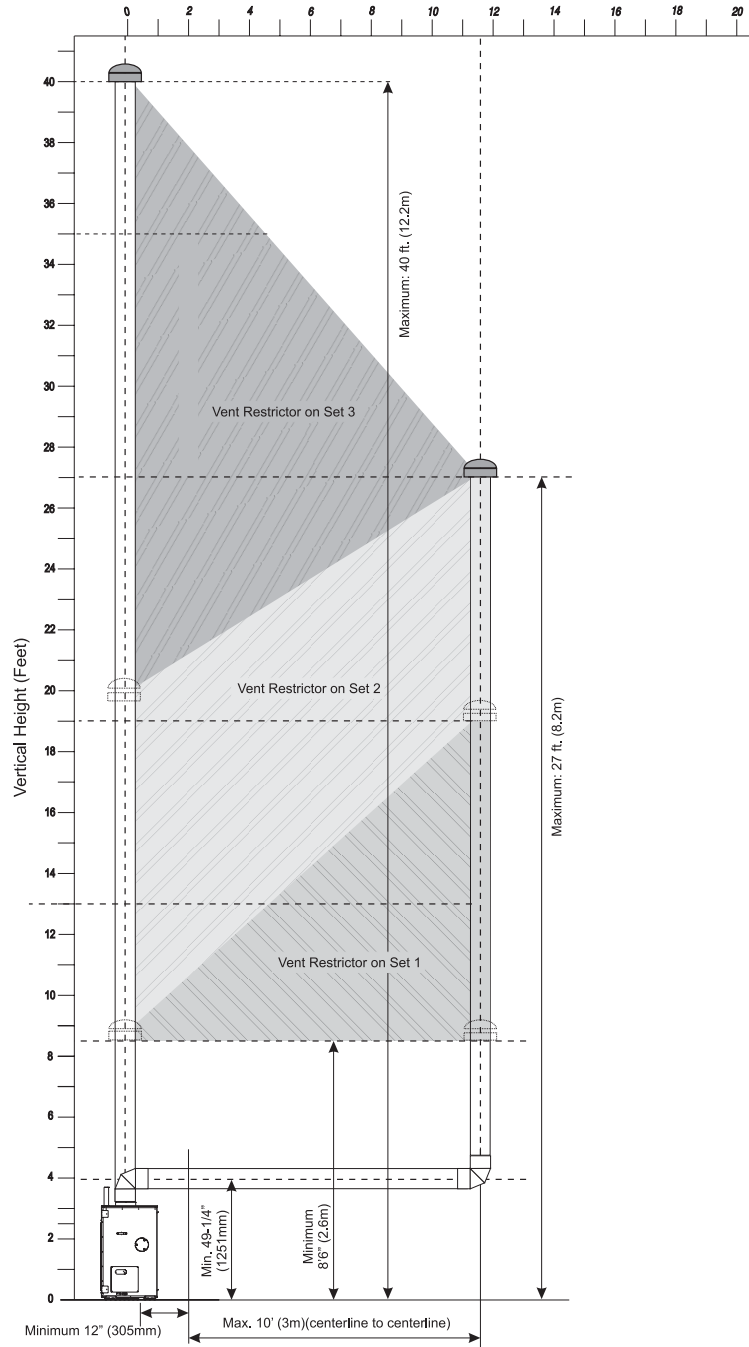
VENT RESTRICTOR SETTING:
Vent restrictor factory set at Set 1, no adjustment required.



VENTING ARRANGEMENTS

ALLOWABLE VERTICAL TERMINATIONS

The shaded area in the diagram shows all allowable combinations of straight vertical and offset to vertical terminations, using two 90° elbows, with **Rigid Pipe Venting Systems** for Propane and Natural Gas. Two 45° elbows equal to one 90° elbow. Maximum of four 45° elbows allowed.



- Vent must be supported at offsets.
- Firestops are required at each floor level and whenever passing through a wall.
- Maintain clearances to combustibles as listed in the "Clearances" section.
- Refer to the "Vent Restrictor Position" section for details on how to change the vent restrictor from the factory setting of Set 1 to Set 2 or Set 3 if required.

Note: Must use optional flue adapter when using Rigid Pipe (Part # 770-994).

UNIT INSTALLATION WITH HORIZONTAL TERMINATION (Rigid Vent Systems)

A top clearance of 3" (76mm) and side & bottom clearance of 2" (51mm) must be maintained; except when passing through a wall, ceiling, or at the termination where the use of a firestop or wall thimble reduces the required clearance to 1-1/2" (38mm). We recommend framing a 11" (279mm) x 11" (279mm) (inside dimensions) hole to give structural rigidity for mounting the termination.

Install the vent system according to the manufacturer's instructions included with the components.

- 1) Set the unit in its desired location. Check to determine if wall studs or roof rafters are in the way when the venting system is attached. If this is the case, you may want to adjust the location of the unit. Rough in the gas preferably on the right side of the unit and the electrical (junction block is on the left side) on the left.
- 2) Direct Vent pipe and fittings are designed with special twist-lock connections to connect the venting system to the appliance flue outlet. A twist-lock adaptor is required.
- 3) In conjunction with the Simpson Direct Vent Pro system, install the adaptor after the unit is set in its desired location. Put a bead of high temperature silicone inside the outer section of the adaptor and a bead of Mill Pack on the inner collar. Slip the adaptor over the existing inner and outer flue collar. Fasten to the outer collar only with the 3 supplied screws (drilling pilot holes will make this easier).
- 4) Level the fireplace and fasten it to the framing using nails or screws through the top and side nailing strips.
- 5) Assemble the desired combination of pipe and elbows to the appliance adaptor and twist-lock for a solid connection.

Note: For best results and optimum performance with each approved venting system, it is highly recommended to apply "Mill-Pac" sealant (supplied) to every inner pipe connection. Failure to do so may result in drafting or performance issues not covered under warranty. Silicone (red RTV) is optional.

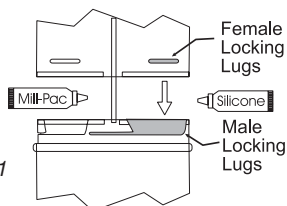


Diagram 1

Horizontal runs of vent must be supported every 3 feet (0.9meter). Wall straps are available for this purpose.

- 6) Mark the wall for a 11" x 11" (279mm x 279mm) square hole. The center of the square hole should line up with the centerline of the horizontal pipe. Cut and frame the 11 inch (279mm) square hole in the exterior wall where the vent will be terminated. See diagram 2 for centerline requirements.

If the wall being penetrated is constructed of non-combustible material, i.e. masonry block or concrete, an 8" (203mm) diameter hole is acceptable.

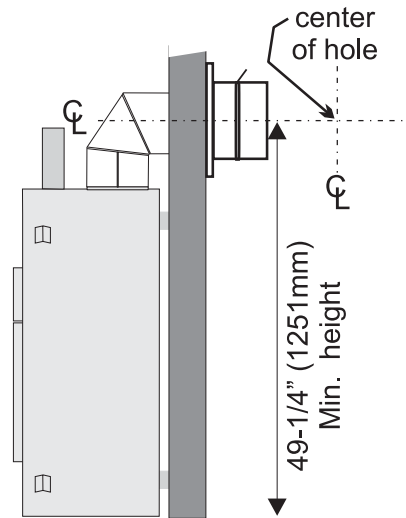


Diagram 2

Note:

- a) The horizontal run of vent must be level, or have a 1/4 inch rise for every 1 foot of run towards the termination. Never allow the vent to run downward. This could cause high temperatures and may present the possibility of a fire.
- b) The location of the horizontal vent termination on an exterior wall must meet all local and national building codes, and must not be blocked or obstructed. See "Exterior Vent Termination Locations" section for more details.

- 7) Ensure that the pipe clearances to combustible materials are maintained (Diagram 5). Install the termination cap.

Note: If installing termination on a vinyl siding covered wall, a vinyl siding standoff or furring strips must be used to ensure that the termination is not recessed into the siding.

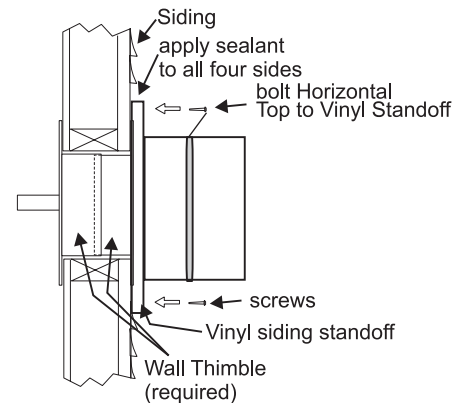


Diagram 5

The four wood screws provided should be replaced with appropriate fasteners for stucco, brick, concrete, or other types of sidings.

- 8) Before connecting the horizontal run of vent pipe to the vent termination, slide the Wall Thimble over the vent pipe. The wall thimble is required for all horizontal terminations.
- 9) Slide the appliance and vent assembly towards the wall carefully inserting the vent pipe into the vent cap assembly. It is important that the vent pipe extends into the vent cap sufficient distance so as to result in a minimum pipe overlap of 1-1/4 inches (32mm). Secure the connection between the vent pipe and the vent cap.
- 10) Install wall thimble in the center of the 11" (279mm) square and attach with wood screws (Diagram 7).

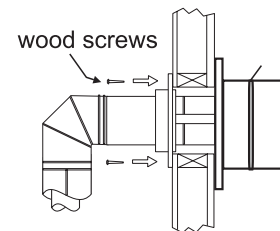


Diagram 7

INSTALLATION

UNIT INSTALLATION WITH VERTICAL TERMINATION (Rigid Vent Systems)

Note: A clearance of 2"(51mm) must be maintained; except when passing through a wall, ceiling, or at the termination where the use of a firestop or wall thimble reduces the required clearance to 1-1/2" (38mm). We recommend framing a 11"(279mm) x 11"(279mm) (inside dimensions) hole to give structural rigidity for mounting the termination.

- 1) Maintain the 2" (51mm) clearances (air spaces) to combustibles when passing through ceilings, walls, roofs, enclosures, attic rafter, or other nearby combustible surfaces. Do not pack air spaces with insulation. Check "Venting Arrangement - Vertical Termination" section for the maximum vertical rise of the venting system and the maximum horizontal offset limitations.

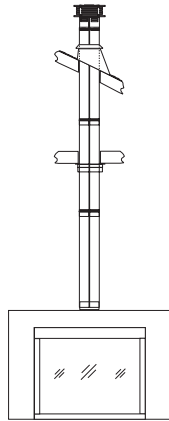


Diagram 1

- 2) Set the gas appliance in its desired location. Drop a plumb bob down from the ceiling to the position of the appliance flue exit, and mark the location where the vent will penetrate the ceiling. Drill a small hole at his point. Next, drop a plumb bob from the roof to the hole previously drilled in the ceiling, and mark the spot where the vent will penetrate the roof. Determine if ceiling joists, roof rafters or other framing will obstruct the venting system. You may wish to relocate the appliance or to offset, as shown in Diagram 2 to avoid cutting load bearing members.

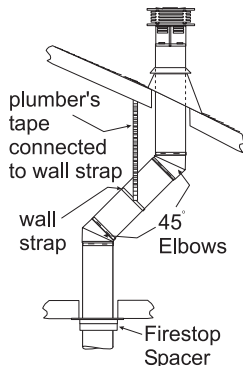


Diagram 2

- 3) A Firestop spacer must be installed in the floor or ceiling of every level.

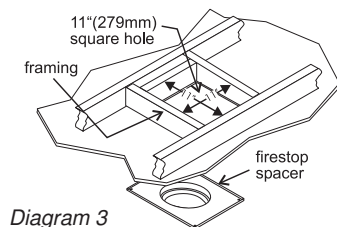
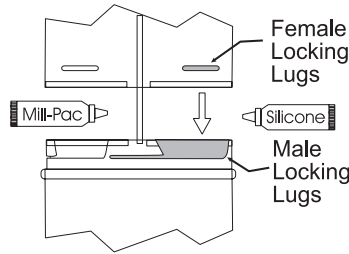


Diagram 3

- 4) Assemble the desired lengths of pipe and elbows. Ensure that all pipes and elbow connections are in the fully twist-locked position and sealed.

Note: For best results and optimum performance with each approved venting system, it is highly recommended to apply "Mill-Pac" sealant (supplied) to every inner pipe connection. Failure to do so may result in drafting or performance issues not covered under warranty. Silicone (red RTV) is optional.



- 5) Cut a hole in the roof centered on the small drilled hole placed in the roof in Step 2. The hole should be of sufficient size to meet the minimum requirements for clearance to combustibles of 1-1/2"(38mm). Slip the flashing under the shingles (shingles should overlap half the flashing) as per Diagram 4.

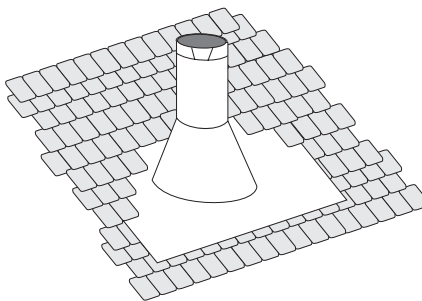


Diagram 4: The upper half of the flashing is installed under the roofing material and not nailed down until the chimney is installed. This allows for small adjustments.

- 6) Continue to assemble pipe lengths.

Note: If an offset is necessary in the attic to avoid obstructions, it is important to support the vent pipe every 3 feet (0.9 meter), to avoid excessive stress on the elbows, and possible separation. Wall straps are available for this purpose (Diagram 2).

Galvanized pipe is desirable above the roofline due to its higher corrosion resistance. Continue to add pipe sections through the flashing until the height of the vent cap meets the minimum height requirements specified in Diagram 5 or local codes. Note that for steep roof pitches, the vertical height must be increased.

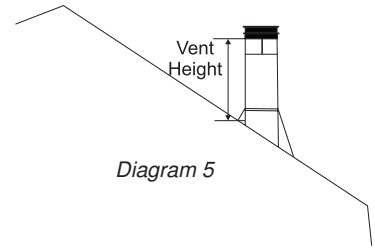


Diagram 5

Roof Pitch	Minimum Vent Height	
	Feet	Meters
flat to 7/12	2	0.61
over 7/12 to 8/12	2	0.61
over 8/12 to 9/12	2	0.61
over 9/12 to 10/12	2.5	0.76
over 10/12 to 11/12	3.25	0.99
over 11/12 to 12/12	4	1.22
over 12/12 to 14/12	5	1.52
over 14/12 to 16/12	6	1.83
over 16/12 to 18/12	7	2.13

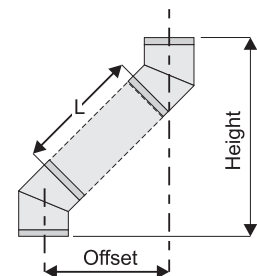
A poor draft, or down drafting can result from high wind conditions near big trees or adjoining roof lines, in these cases, increasing the vent height may solve the problem.

- 7) Ensure vent is vertical and secure the base of the flashing to the roof with roofing nails, slide storm collar over the pipe section and seal with a mastic.
- 8) Install the vertical termination cap by twist-locking it.

Note: Any closets or storage spaces, which the vent passes through must be enclosed.

Offset Chart

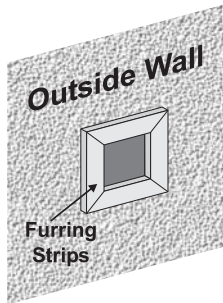
GS 8"(203mm) Nominal Diameter ID					
Offset		Pipe Length (L)		Height	
inches	mm	inches	mm	inches	mm
4 3/4	121	0	0	13 1/4	337
9	229	6	152	17 1/2	445
11 1/4	286	9	229	19 1/2	495
13 1/4	337	12	305	21 3/4	552
21 3/4	552	24	610	30 1/4	768
30 1/4	768	36	914	39	991
38	965	48	1219	47	1194



UNIT INSTALLATION HORIZONTAL TERMINATION WITH FLEX VENT SYSTEM

Note: A top clearance of 3"(76mm) and side & bottom clearance of 2"(51mm) must be maintained; except when passing through a wall, ceiling, or at the termination where the use of a firestop or wall thimble reduces the required clearance to 1-1/2" (38mm). We recommend framing a 11"(279mm) x 11"(279mm) (inside dimensions) hole to give structural rigidity for mounting the termination.

- 1) Locate the unit in the framing, rough in the gas (preferably on the right side of the unit). Locate the centerline of the termination and mark wall accordingly. Cut an 11"(279mm) hole in the wall (inside dimension).



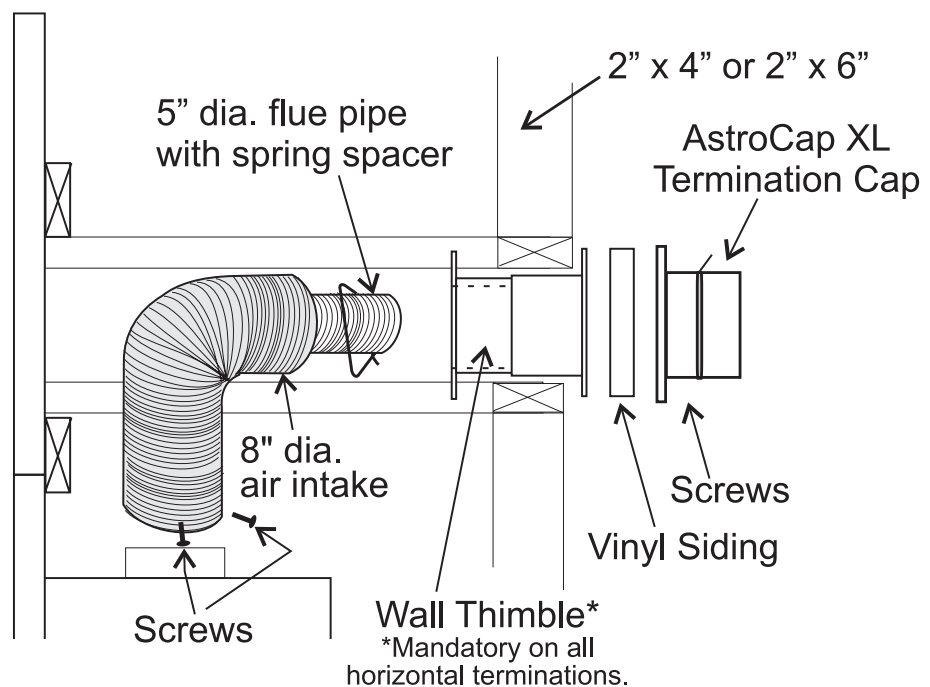
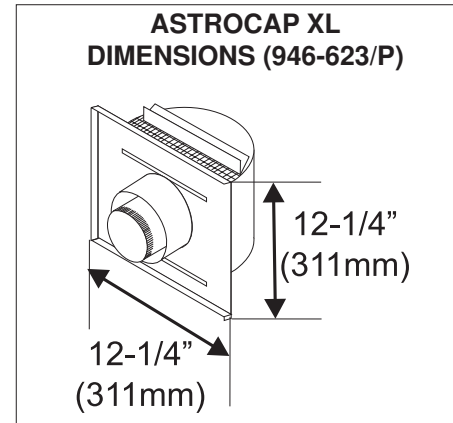
Note: If installing termination on a siding covered wall, a vinyl siding standoff or vinyl furring strips must be used to ensure that the termination is not recessed into the siding.

- 2) Level the fireplace and fasten it to the framing using nails or screws through the nailing strips.
- 3) Assemble the vent assembly by applying Mill Pac to the 5"(127mm) inner collar of the termination and slipping the 5"(127mm) liner over it at least 1-3/8" (35mm). Fasten with the 3 screws (drilling pilot holes will make this easier). Apply Mill Pac or high temperature silicone to the 8"(203mm) flex pipe and slip it over the 8" outer collar of the vent terminal at least 1-3/8"(35mm) and fasten with the 3 screws.

NOTE: Horizontal sections must be supported at intervals not exceeding 3 feet (0.9 meter). (Flame picture and performance will be affected by sags in the liner).

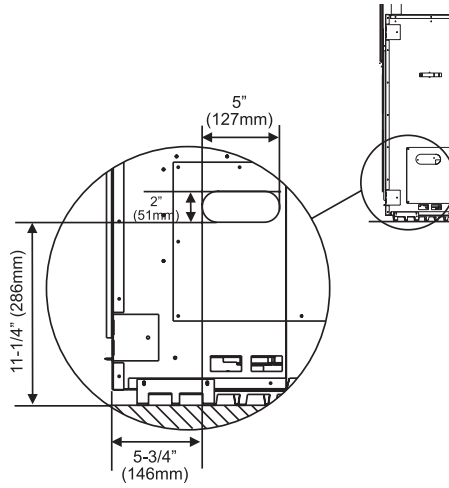
- 4) Separate the 2 halves of the wall thimble and securely fasten the one with the tabs to the outside wall making sure that the tabs are on top and bottom. Fasten the other thimble half to the inside wall. The thimble halves slip inside each other and can be adjusted for 2 x 4 or 2 x 6 walls.
- 5) Slip the assembled liner and termination assembly through the thimble making sure the termination cap faces up (there are markings on the cap that show which way is up). This will position the termination cap with proper down slope for draining water. Fasten the cap to the outer wall with the 4 supplied screws.
- 6) Pull the centre 5"(127mm) liner and outer 8"(203mm) liner out enough to slip over the flue collars of the fireplace. (You may wish to cut the liner shorter to make it more workable.) Do not bend liner more than 90°. **The liners must slip over the collars a minimum of 1-3/8".**
- 7) Apply Mill Pac over the fireplace inner collar and slip the 5"(127mm) liner down over it and attach with 3 supplied screws.
- 8) Do the same with the 8"(203mm) liner.
- 9) Apply a bead of silicone between the thimble and termination and around the outer edge of the terminal at the wall in order to keep the water out.

IMPORTANT: Do not locate termination hood where excessive snow or ice buildup may occur. Be sure to check vent termination area after snow falls, and clear to prevent accidental blockage of venting system. When using snow blowers, make sure snow is not directed towards vent termination area.



INSTALLATION

L676S-NG1 SYSTEM DATA	
Min. Supply Pressure	5" WC (1.25 kpa)
Low Setting Man. Pressure	1.6" WC (0.39 kpa)
Max. Manifold Pressure	3.5" WC (0.87 kpa)
Orifice Size	#37 DMS
Minimum Input	19,500 Btu/h (5.71 kW)
Maximum Input	29,000 Btu/h (8.49 kW)
L676S-LP1 SYSTEM DATA	
Min. Supply Pressure	12" WC (2.98 kpa)
Low Setting Man. Pressure	6.4" WC (1.59 kpa)
Max. Manifold Pressure	10" WC (2.49 kpa)
Orifice Size	#53 DMS
Minimum Input	21,000 Btu/h (6.15 kW)
Maximum Input	26,000 Btu/h (7.61 kW)

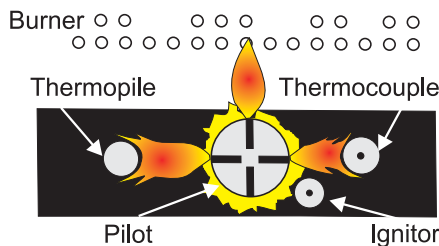


Opening for Gas Connection

Note: To properly check gas pressure, both inlet and manifold pressures should be checked using the valve pressure ports on the valve.

- 1) Make sure the valve is in the "OFF" position.
- 2) Loosen the "IN" and/or "OUT" pressure tap(s), turning counterclockwise with a 1/8" wide flat screwdriver.
- 3) Attach manometer to "IN" and/or "OUT" pressure tap(s) using a 5/16" ID hose.
- 4) Light the pilot and turn the valve to "ON" position.
- 5) The pressure check should be carried out with the unit burning and the setting should be within the limits specified on the safety label.
- 6) When finished reading manometer, turn off the gas valve, disconnect the hose and tighten the screw (clockwise) with a 1/8" flat screwdriver. **Note: Screw should be snug, but do not over tighten.**

PILOT ADJUSTMENT



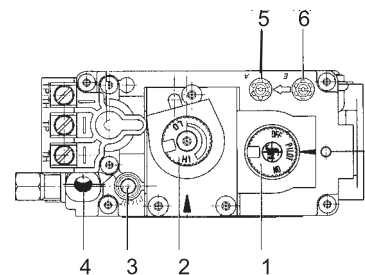
Periodically check the pilot flames. Correct flame pattern has three strong blue flames: 1 flowing around the thermopile, 1 around the thermocouple and 1 flowing across the burner (it does not have to be touching the burner).

Note: If you have an incorrect flame pattern, contact your Regency® dealer for further instructions.

Incorrect flame pattern will have small, probably yellow flames, not coming into proper contact with the rear burner or thermopile or thermocouple.

SIT 820 VALVE DESCRIPTION

- 1) Gas on/off knob
- 2) Manual High/Low Adjustment
- 3) Pilot Adjustment
- 4) Thermocouple Connection - option
- 5) Outlet Pressure Tap
- 6) Inlet Pressure Tap
- 7) Pilot Outlet
- 8) Main Gas Outlet
- 9) Alternative TC Connection Point



HIGH ELEVATION

This unit is approved in Canada for altitude 0 to 4500 ft. (CAN1 2.17-M91).

GAS LINE INSTALLATION

Since some municipalities have additional local codes it is always best to consult with your local authorities and the CAN/CGA B149 installation code.

For USA installations follow local codes and/or the current National Fuel Gas Code, ANSI Z223.1.

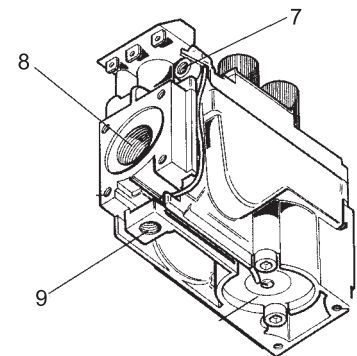
When using copper or flex connectors use only approved fittings. Always provide a union so that gas lines can be easily disconnected for servicing. Flare nuts for copper lines and flex connectors are usually considered to meet this requirement.

IMPORTANT: Always check for gas leaks with a soap and water solution or gas leak detector. Do not use open flame for leak testing.

GAS PIPE PRESSURE TESTING

The appliance must be isolated from the gas supply piping system by closing its individual manual shut-off valve during any pressure testing of the gas supply piping system at test pressures equal to or less than 1/2 psig. (3.45 kPa). Disconnect piping from valve at pressures over 1/2 psig.

The manifold pressure is controlled by a regulator built into the gas control, and should be checked at the pressure test point.



AERATION ADJUSTMENT

The burner aeration is factory set but may need adjusting due to either the local gas supply or altitude. Open the air shutter for a blue flame or close for a more yellow flame.

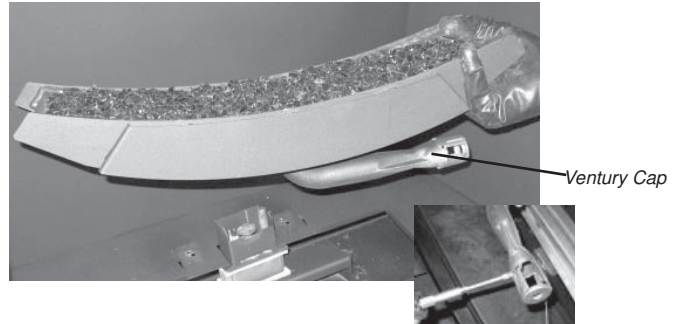
- 1) Remove burner, see page 30 for detailed instructions.
- 2) Adjust aeration setting on ventury cap with a phillips head screwdriver.

Minimum Air Shutter Opening:

NG	1/4"
LP	5/16"

CAUTION: Carbon will be produced if air shutter is tightly closed.

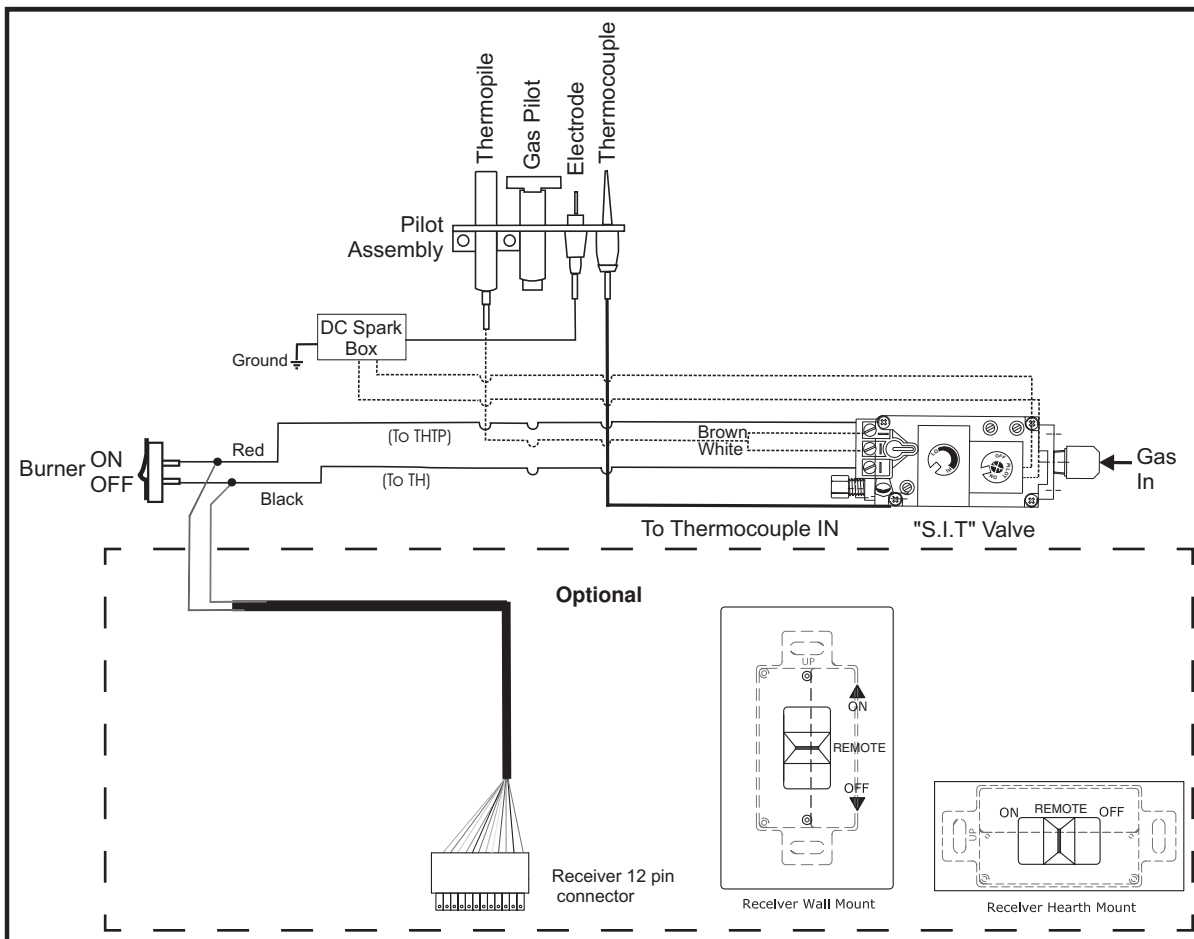
Note: Any damage due to carboning resulting from improperly setting the aeration controls is NOT covered under warranty.



WIRING DIAGRAM

Caution: Ensure that the wires do not touch any hot surfaces and are away from sharp edges.

CAUTION: Label all wires prior to disconnection when servicing controls. Wiring errors can cause improper and dangerous operation.



INSTALLATION

CONVERSION KIT #526-969 FROM NG TO LP

THIS CONVERSION MUST BE DONE BY A QUALIFIED GAS FITTER, IF IN DOUBT DO NOT DO THIS CONVERSION!!

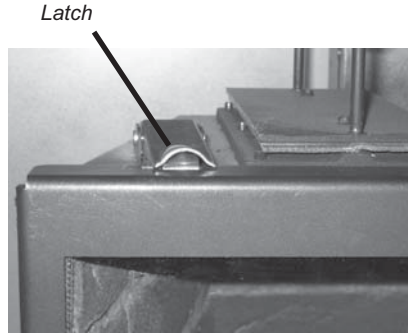
LP Conversion Kit Contains:

Qty.	Part #	Description
1	910-101	Orifice SIT Pilot LP #35
1	910-037	LP Pilot Orifice
1	908-528	Red Propane Label
1	904-345	Orifice #53
1	904-529	Allen Key 5/32
1	918-590	LP Conversion Decal
1	918-764	Instruction Sheet
1	906-182	4 x 6 Ziplock Case.

- 1) Remove the faceplate (see page 35).
- 2) Remove the glass door.
 - a. Release the 2 door latches on the left and right side at the top of the firebox.



Latch Location



Latch

- b. Swing the door out from the top and release the hinge on the left side of the door and lift out off hinge.



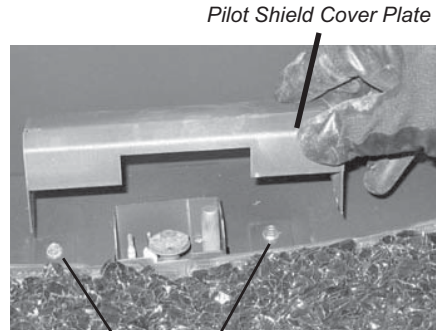
Door



Hinge with door removed.

- c. Place the door on a soft surface to prevent scratching.

- 3) Lift off the Pilot Shield Cover Plate to expose 2 bolts.



Pilot Shield Cover Plate

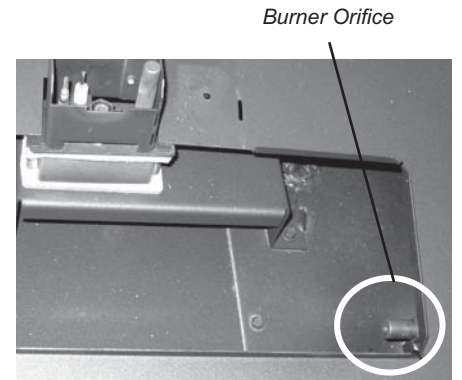
Bolts

- 4) Remove the 2 bolts to release the burner.



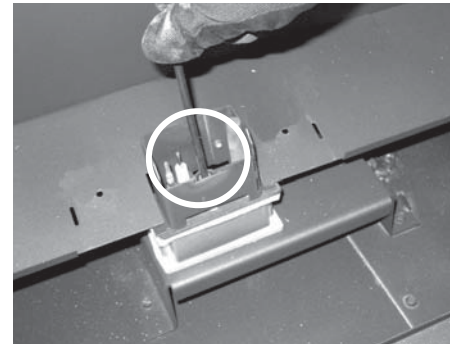
- 5) Carefully lift out burner.

- 6) Remove the burner orifice with a 1/2" wrench. Use another wrench to hold onto the elbow behind the orifice. Replace the NG burner orifice with LP orifice #53.

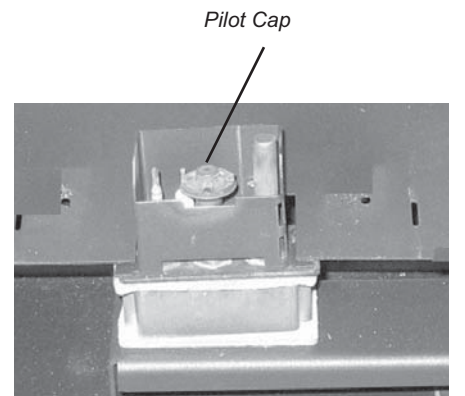


Burner Orifice

- 7) Remove the NG pilot orifice with the 5/32 Allen Key and replace with LP pilot orifice.



- 8) Reinstall the pilot cap.



Pilot Cap

- 8) Turn control knob to the "OFF" position.
- 9) Remove the black protection cap by hand from the high-low knob (Fig.1).

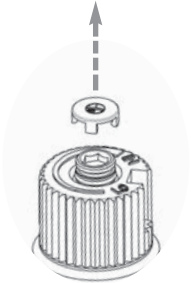


Fig. 1

- 10) Insert a 5/32" or 4mm Allen wrench into the hexagonal key-way of the screw (Fig. 2), rotate it counter-clockwise until it is free and extract it.

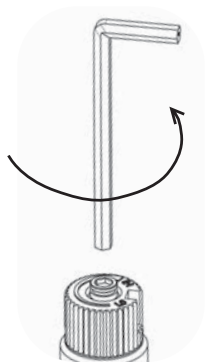


Fig. 2

- 11) Check that the screw is clean and if necessary remove dirt.
- 12) Flip the screw (Fig. 3).

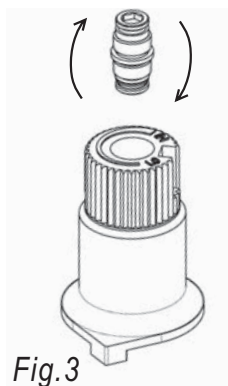


Fig. 3

- 13) Using the Allen wrench as shown in Fig.4, rotate the screw clockwise until snug, do not overtighten.

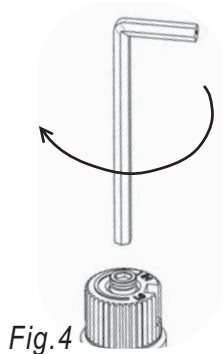


Fig. 4

WARNING!
Do not overtighten the screw.
Recommended to grip the wrench by the short side.

- 14) Verify that if the conversion is from NG to LPG, the screw must be re-assembled with the red o-ring visible (Fig. 5).

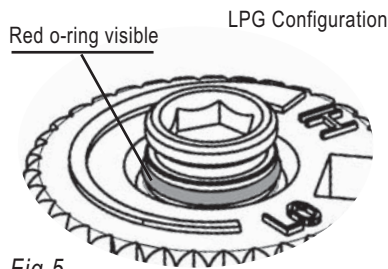


Fig. 5

- 15) Re-assemble the black protection cap (Fig. 6).

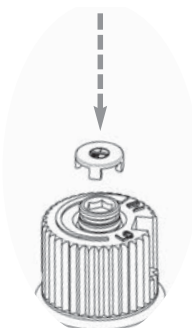


Fig. 6

WARNING!
Also check that the pilot and main burner injectors are appropriate for the gas type.

- 16) Install the enclosed identification label to the valve body where it can be easily seen.
- 17) Attach the LP conversion decal near or on top of the serial no. decal.
- 18) Replace yellow "Natural Gas" label with red "Propane" label.
- 19) Adjust the burner aeration setting to the LP setting (5/16") and re-install the burner tube.
- 20) Re-install the burner.
- 21) Re-install the Pilot Shield cover plate.
- 22) Re-install the glass door.
- 23) Re-install the faceplate
- 24) Continue with completing unit installation.

NOTE: Once the unit has been installed;

- a) Turn on the gas supply and check for gas leaks.
- b) Check the inlet and outlet pressures.
- c) Check operation of flame control using the remote control.
- d) Check for proper flame appearance.

Installer Notice:
These instructions must be left with the appliance.

INSTALLATION

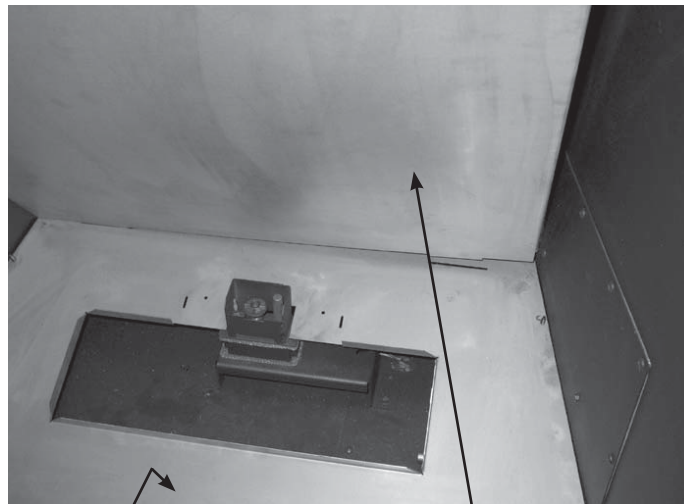
PANEL INSTALLATION

Important: One set of panels must be installed. Operation of this unit without panels is prohibited.

Before installation, panels must be handled and cleaned as per instructions noted below:

Stainless Steel Panels	Black Enamel Panels
<ul style="list-style-type: none"> Stainless panels must be inspected for scratches and dimples prior to installation. All claims to be recorded at this time. Claims for damage after installation will not receive consideration. 	<ul style="list-style-type: none"> Black Enamel panels must be inspected for scratches and dimples prior to installation. All claims to be recorded at this time. Claims for damage after installation will not receive consideration.
<ul style="list-style-type: none"> To protect the finish during installation and handling - cotton gloves MUST be worn at all times while handling the panels (even when removing protective coating). 	
<ul style="list-style-type: none"> Stainless panels will discolor a little during normal operation. This is normal and should not be considered a defect. 	<ul style="list-style-type: none"> Black Enamel panels will discolor a little during normal operation. This is normal and should not be considered a defect.
<ul style="list-style-type: none"> * All hand and finger marks MUST be cleaned off with a soft cloth and a stainless steel cleaner. Most stainless steel cleaners leave a film/residue on the surface of the panels. Use an ammonia based cleaner (ie. glass cleaner) to remove this film before applying heat to the unit. Failure to do this will result in burn stains on panels which you will be unable to remove. Not protected by product warranty. 	<ul style="list-style-type: none"> * All hand and finger marks MUST be cleaned off with a soft cloth. Use an ammonia based cleaner (ie. glass cleaner) to remove any fingerprints before applying heat to the unit. Failure to do this will result in burn stain on panels which you will be unable to remove. Not protected by product warranty.

1) With firebox base in position, install back panel first by fitting the tabs on the back panel in to slots in firebox base.

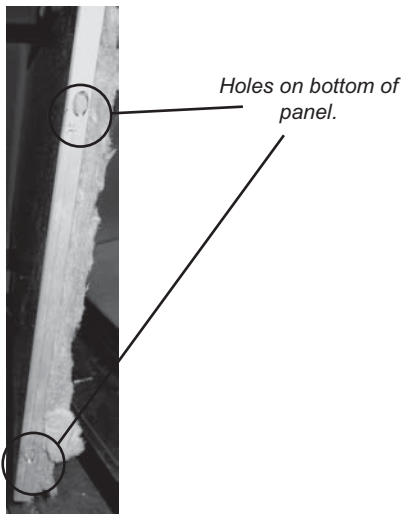


Firebox base.

Back panel.



Slots on floor of firebox base.



2) Locate the 2 holes on the bottom of the left inner panel.



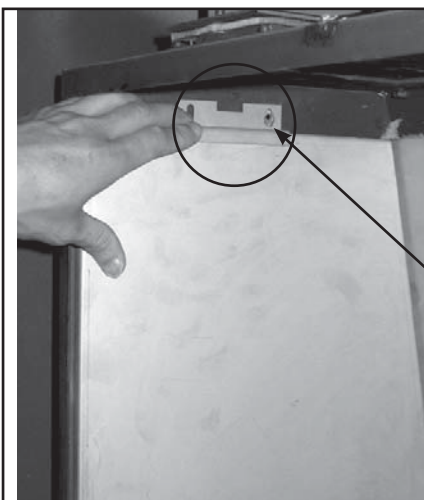
Left panel.

Grommet on firebox base floor.

3) Line up the holes on the left panel with the grommets on the floor of the firebox base.

4) Place panel clip over existing hole in firebox. Place one Phillips screw to secure.

Note: Only use hole closest to back panel to secure panel clip, the panel clips can be used on either the left or right side.



Use this hole on panel clip.

5) Repeat steps 2-4 to install right side.

INSTALLATION

GLASS CRYSTAL OR OPTIONAL CERAMIC STONES INSTALLATION ON BURNER

Spread the supplied Glass Crystals (or optional Ceramic Spa Stones) evenly over the burner. Ensure the crystals (stones) do not overlap too much as this will effect the flame pattern.

NOTE: When installing, use either the supplied Glass Crystals or optional Ceramic Spa Stones - DO NOT combine the two. Only the supplied approved Cobalt Blue Glass or optional 70 pieces of Ceramic Spa Stone are to be used with this fireplace. Use of any other type of glass crystals or stones can alter the unit's performance, any damage caused by the use of any unapproved glass or stones will not be covered under warranty.

NOTE: When using Ceramic Stones, DO NOT cover burner ports that lead to pilot flame.



Burner shown with Glass Crystals

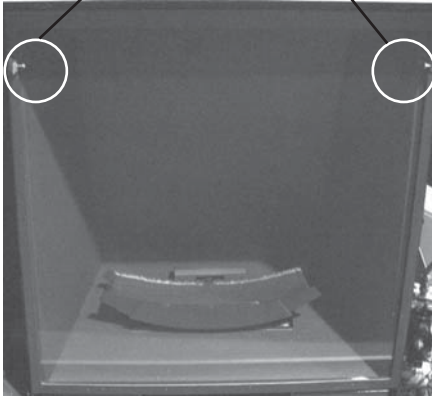


Burner shown with optional Ceramic Stones

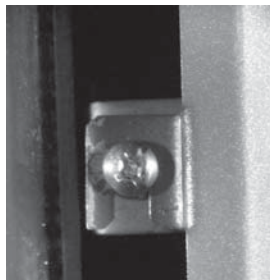
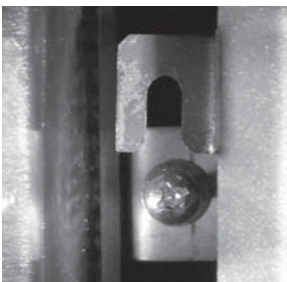
FACEPLATE & DOOR FRAME INSTALLATION

- 1) Locate the 2 mounting brackets on either side of the glass door frame.

Location of mounting brackets.



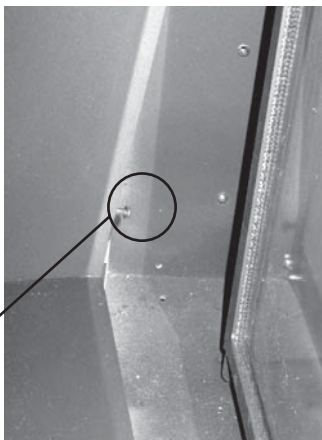
- 2) Install the Faceplate & Door Frame on the unit by hooking the left and right side mounting tabs (on the faceplate) onto the mounting brackets at either side of the glass doorframe as shown below.



- 3) If the Faceplate & Door Frame is not sitting level (flat), remove and adjust the 2 Phillips screws located at the bottom of the faceplate.



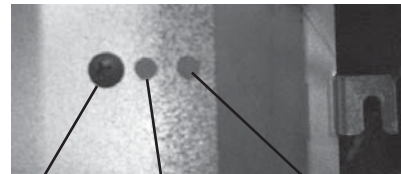
Level adjustment



- 5) The L676S Faceplate consists of 2 parts, an inner faceplate and an outer faceplate, these 2 faceplates will be shipped installed together as one piece. If necessary, the outer faceplate can be adjusted up to 3/4" to allow for finishing materials. Remove 4 Phillips screws securing inner trim to outer trim and relocate to appropriate position, retighten screws.

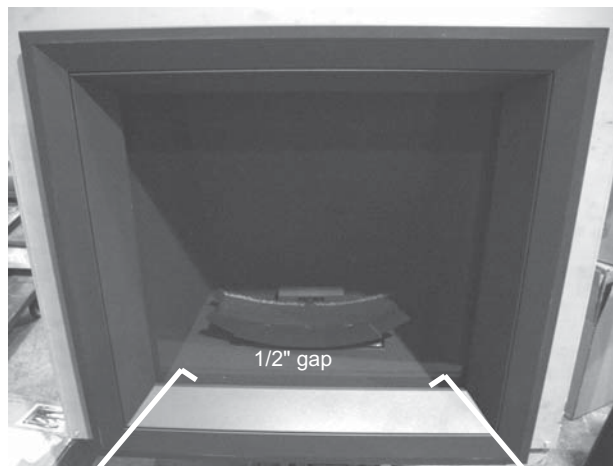


Adjustment for finishing materials.



Factory Setting 3/8" Adjustment 3/4" Adjustment

Finished Facing Thickness	Faceplate Adjustment
1/2"	Factory Setting
1/2" - 7/8" (or less)	Adjusted to + 3/8"
7/8" - 1-1/4" (or less)	Adjusted to + 3/4"



Note: A 1/2" gap between the faceplate and glass must be maintained all the way around at all times.

OPERATING INSTRUCTIONS

OPERATING INSTRUCTIONS

- 1) Read and understand these instructions before operating this appliance.
- 2) Check to see that all wiring is correct and enclosed to prevent possible shock.
- 3) Check to ensure there are no gas leaks.
- 4) Make sure the glass in the door frame is properly positioned. Never operate the appliance with the glass removed.
- 5) Verify that the venting and cap are unobstructed.
- 6) The unit should never be turned off, and on again without a minimum of a 60 second wait.

MATCHING REMOTE CONTROL & RECEIVER CODE (OPTIONAL)

The Remote Control Handset has a set of unique ID codes that is pre-programmed into its memory. This set of ID codes helps to differentiate one Remote Control Handset from another so that only the control box with a matching ID code will respond to the appropriate Remote Control Handset.

To ensure the remote control is matched to the receiver correctly, please follow the steps below:

- 1) Install 4 "AA" batteries into the receiver.
- 2) Turn the 3-way switch on the receiver to the "Remote" position.
- 3) Using a small pointy object (ie. the end of a paper clip) press the button marked "PRG" on the receiver. The receiver will beep 3 times to indicate that it is ready to synchronize with the remote control.
- 4) Install 3 "AAA" batteries into the remote control and push the "ON" button. The receiver will beep 4 times to indicate the remote control's command has been accepted and sets to the particular code of that remote control.

LIGHTING PROCEDURE

IMPORTANT
To ignite or reignite the pilot, you must first remove the glass door.

NOTE: The Gas ON/OFF knob cannot be turned from "ON", "PILOT" or "OFF" unless it is partially depressed.

- 1) Ensure the 3-way switch on the wall mounted receiver is in the "OFF" position.
- 2) Turn the gas control knob so the indicator points to the "OFF" position and wait 5 minutes for any gas in the combustion chamber to escape.
- 3) Turn the gas control knob counterclockwise so the indicator points to the "PILOT" position. Depress the gas control knob fully. Depress the igniter button until the pilot lights. After approximately one minute, release the gas control knob. The pilot flame should continue to burn.

Only when the pilot holds, without pressure being applied to the gas control knob, re-install the glass door to the unit. The unit **must not** be operated without the glass door in place.

If the pilot does not remain lit, repeat operation allowing a longer period before releasing gas control knob.

- 4) When the pilot stays lit, turn the gas control knob to the "ON" position.
- 5) Use the wall switch or optional remote control to turn the unit ON.

NOTE: When using the optional remote control refer to the remote manual.

SHUTDOWN PROCEDURE

- 1) Turn the 3-way switch on the wall mounted receiver to the "OFF" position.
- 2) Press "OFF" on the remote control.
- 3) Turn the gas control knob to the "OFF" position to turn off the pilot.

FIRST FIRE

The **FIRST FIRE** in your heater is part of the paint curing process. To ensure the paint is properly cured, it is recommended you burn your fireplace for at least four (4) hours the first time.

When first operated, the unit will release an odour caused by the curing of the paint and the burning off of any oils remaining from manufacturing. Smoke detectors in the house may go off at this time. Open a few windows to ventilate the room for a couple of hours. The glass may require cleaning.

NOTE: When the glass is cold and the appliance is lit, it may cause condensation and fog the glass. This condensation is normal and will disappear in a few minutes as the glass heats up.

DO NOT ATTEMPT TO CLEAN THE GLASS WHILE IT IS STILL HOT!

DO NOT BURN THE UNIT WITHOUT THE GLASS DOOR IN PLACE.

During the first few fires, a white film may develop on the glass front as part of the curing process. The glass should be cleaned after the unit has cooled down or the film will bake on and become very difficult to remove. Use a non-abrasive cleaner and DO NOT ATTEMPT TO CLEAN THE GLASS WHILE IT IS HOT.

NORMAL OPERATING SOUNDS OF GAS APPLIANCES

It is possible that you will hear some sounds from your gas appliance. This is perfectly normal due to the fact that there are various gauges and types of steel used within your appliance. Listed below are some examples. All are **normal operating sounds** and should not be considered as defects in your appliance.

Burner Tray:

The burner tray is positioned directly under the burner tube and is made of a different gauge material from the rest of the firebox and body. Therefore, the varying thicknesses of steel will expand and contract at slightly different rates which can cause "ticking" and "cracking" sounds. You should also be aware that as there are temperature changes within the unit these sounds will likely re-occur. Again, this is normal for steel fireboxes.

Pilot Flame:

While the pilot flame is on it can make a very slight "whisper" sound.

Gas Control Valve:

As the gas control valve turns ON and OFF, a dull clicking sound may be audible, this is normal operation of a gas regulator or valve.

Unit Body/Firebox:

Different types and thicknesses of steel will expand and contract at different rates resulting in some "cracking" and "ticking" sounds will be heard throughout the cycling process.

COPY OF LIGHTING PLATE INSTRUCTIONS



FOR YOUR SAFETY READ BEFORE LIGHTING

This appliance must be installed in accordance with local codes, if any; if none, follow the National Fuel Gas Code, ANSI Z223.1/NFPA 54, or Natural Gas and Propane Installation Codes, CSA B149.1. (Australia: AS5601-2004, New Zealand: NZS 5261)


WARNING: If you do not follow these instructions exactly, a fire or explosion may result causing property damage, personal injury or loss of life. Improper installation, adjustment, alteration, service or maintenance can cause injury or property damage. Refer to the owner's information manual provided with this appliance. For assistance or additional information consult a qualified installer, service agency or gas supplier.

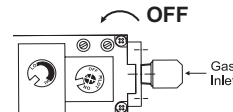
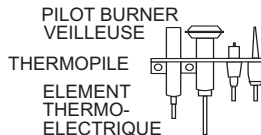
- A) This appliance has a pilot which must be lighted by hand. When lighting the pilot, follow these instructions exactly.
- B) BEFORE LIGHTING smell all around the appliance area for gas. Be sure to smell next to the floor because some gas is heavier than air and will settle on the floor.
 WHAT TO DO IF YOU SMELL GAS
 - Do not try to light any appliance.
 - Do not touch any electric switch, do not use any phone in your building.
 - Immediately call your gas supplier from a neighbour's phone. Follow the gas supplier's instructions.
 - If you cannot reach your gas supplier, call the fire department.
- C) Use only your hand to push in or turn the gas control knob. Never use tools. If the knob will not push in or turn by hand, don't try to repair it, call a qualified service technician. Forced or attempted repair may result in a fire or explosion.
- D) Do not use this appliance if any part has been under water. Immediately call a qualified service technician to inspect the appliance and to replace any part of the control system and any gas control which has been under water.
- E) This appliance needs fresh air for safe operation and must be installed so there are provisions for adequate combustion and ventilation air.


CAUTION: Hot while in operation. Do not touch. Severe Burns may result. Due to high surface temperatures keep children, clothing and furniture, gasoline and other liquids having flammable vapors away. Keep burner and control compartment clean. See installation and operating instructions accompanying appliance.

LIGHTING INSTRUCTIONS


STOP! Read the safety information above on this label.

- 1) Push in gas control knob slightly and turn clockwise  to "OFF". Knob cannot be turned from "PILOT" to "OFF" unless knob is pushed in slightly. Do not force.



- 2) Wait five (5) minutes to clear out any gas. If you then smell gas STOP! Follow step "B" in the Safety Information above on this label. If you don't smell gas, go to the next step.
- 3) Turn knob on gas control counterclockwise  to "PILOT".
- 4) Push in control knob all the way and hold in until the pilot lights up. Continue to hold the control knob in for about 20 seconds after the pilot is lit. Release knob and it will pop back up. Pilot should remain lit. If it goes out, repeat steps 1) to 4). If knob does not pop up when released, stop and immediately call your service technician or gas supplier. If the pilot will not stay lit after several tries, turn the gas control knob to "OFF" and call your service technician or gas supplier.
- 5) Turn gas control knob counterclock-wise to "ON".
- 6) Turn the unit on.

TO TURN OFF GAS APPLIANCE

- 1) Turn off the unit.
- 2) Push in the gas control knob slightly and turn clockwise  to "OFF". Do not force.
- 3) Turn off all electric power to the appliance if service is to be performed.
You may shut off the pilot during prolonged non use periods to conserve fuel.

DO NOT REMOVE THIS INSTRUCTION PLATE

918-583

MAINTENANCE

MAINTENANCE INSTRUCTIONS

- 1) Always turn off the gas valve before cleaning. For relighting, refer to lighting instructions. Keep the burner and control compartment clean by brushing and vacuuming at least once a year. When cleaning the logs, use a soft clean paint brush as the logs are fragile and easily damaged.
- 2) Clean appliance and door with a damp cloth (never when unit is hot). Never use an abrasive cleaner. The glass should be cleaned with a gas fireplace glass cleaner. **The glass should be cleaned when it starts looking cloudy.**
- 3) Make a periodic check of burner for proper position and condition. Visually check the flame of the burner periodically, making sure the flames are steady; not lifting or floating. If there is a problem, call a qualified service person.
- 4) The appliance and venting system must be inspected before use, and at least annually, by a qualified field service person, to ensure that the flow of combustion and ventilation air is not obstructed.

Note: Never operate the appliance without the glass properly secured in place.

- 5) Do not use this appliance if any part has been under water. Immediately call a qualified service technician to inspect the appliance and to replace any part of the control system and any gas control which has been under water.
- 6) In the event this appliance has been serviced check that the vent-air system has been properly resealed & reinstalled in accordance with the manufacturer's instructions.
- 7) Verify operation after servicing.

GENERAL VENT MAINTENANCE

Conduct an inspection of the venting system semi-annually. Recommended areas to inspect as follows:

- 1) Check the Venting System for corrosion in areas that are exposed to the elements. These will appear as rust spots or streaks, and in extreme cases, holes. These components should be replaced immediately.

- 2) Remove the Cap, and shine a flashlight down the Vent. Remove any bird nests, or other foreign material.
- 3) Check for evidences of excessive condensation, such as water droplets forming in the inner liner, and subsequently dripping out the joints. Continuous condensation can cause corrosion of caps, pipe, and fittings. It may be caused by having excessive lateral runs, too many elbows, and exterior portions of the system being exposed to cold weather.
- 4) Inspect joints, to verify that no pipe sections or fittings have been disturbed, and consequently loosened. Also check mechanical supports such as Wall Straps, or plumbers' tape for rigidity.

THERMOPILE / THERMOCOUPLE

- 1) Remove the valve tray by following the procedures from "Valve Tray Replacement" section.
- 2) Disconnect thermocouple by loosening nut from the valve with a 9mm wrench. Disconnect thermopile by loosening 2 screws marked TP on the valve.
- 3) Remove 2 screws from the pilot assembly and pull up far enough to be able to loosen the thermocouple or thermopile with a 7/16" wrench. NOTE: the pilot line is very fragile, use caution when pulling it up.
- 4) Drop the thermocouple or thermopile down through the extrusion and pull it out of the unit.
- 5) Reinstall the new ones in reverse order.

GLASS GASKET

If the glass gasket requires replacement use a tadpole glass gasket (Part # 936-155).

DOOR GLASS

Your Regency® fireplace is supplied with high temperature 5mm-Ceramic glass. If your glass requires cleaning, we recommend using an approved glass cleaner available at all authorized dealers. Do not use abrasive materials.

CAUTION & WARNINGS:

- * Do not clean when the glass is hot.
- * The use of substitute glass will void all product warranties.
- * Care must be taken to avoid breakage of the glass.
- * Do not strike or abuse the glass.
- * Do not operate this fireplace without the glass front or with a cracked or broken glass front.
- * Wear gloves when removing damaged or broken glass.
- * Replacement of the glass panel(s) should be done by a licensed or qualified service person.

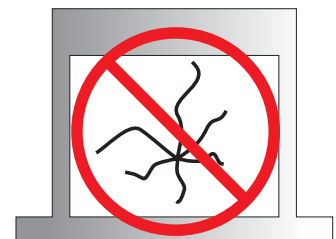
GLASS REPLACEMENT

In the event that you break your glass by impact, purchase your replacement from an authorized Regency® dealer only.

Replacement glass is shipped already installed into the door frame.

CAUTION: Wear gloves when removing damaged or broken glass.

WARNING: Do not operate the appliance with the glass panels removed, cracked or broken. Replacement of the glass panels should be done by a licensed or qualified service person.

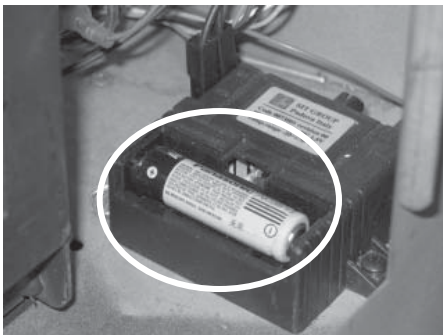


DC SPARK BOX BATTERY REPLACEMENT



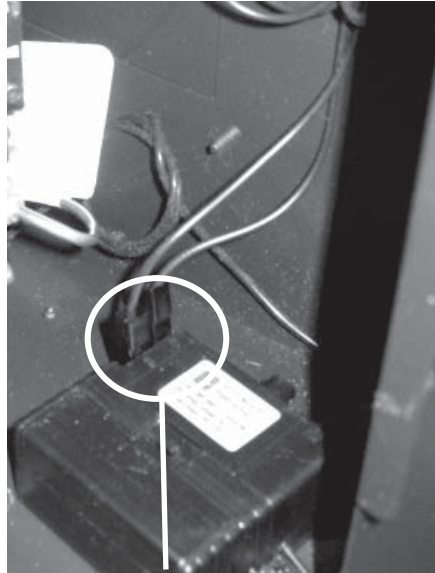
DC Spark Box Location

- 1) Remove the faceplate, locate the DC spark box on the right side of the fire box.
- 2) Remove the battery cover from the DC Spark Box.
- 3) Remove AA battery and replace with a new one.
- 4) Re-install battery cover on DC Spark Box.
- 5) Reinstall the faceplate (see page 35).



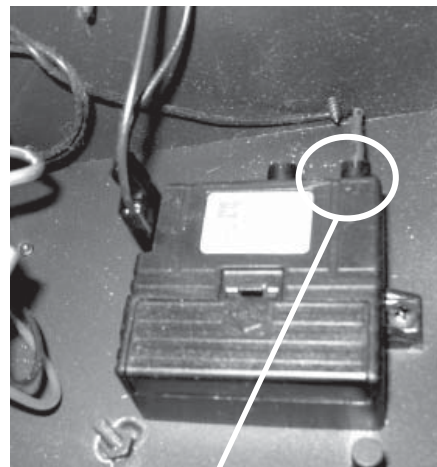
DC SPARK BOX REPLACEMENT

- 1) Disconnect the 2 DC Spark generator wires from the DC spark box located on the right side of the firebox.
- 3) Remove the 1 screw that secures the DC spark box in place.



DC Spark Box Wires

- 2) Disconnect the spark electrode from the DC spark box.



Spark Electrode



- 4) Replace the DC spark box.
- 5) Reverse steps to re-install.

MAINTENANCE

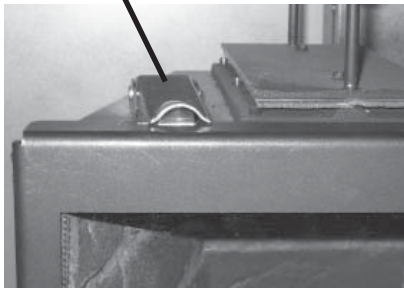
VALVE TRAY REPLACEMENT

- 1) Shut off the gas supply to the unit.
- 2) Remove the faceplate.
- 3) Remove the glass door.

- a. Release the 2 door latches on the left and right side at the top of the firebox.



Latch



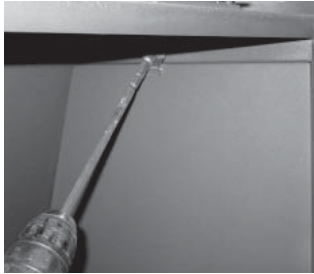
- b. Swing the door out from the top and release the hinge on the left side of the door and lift out.



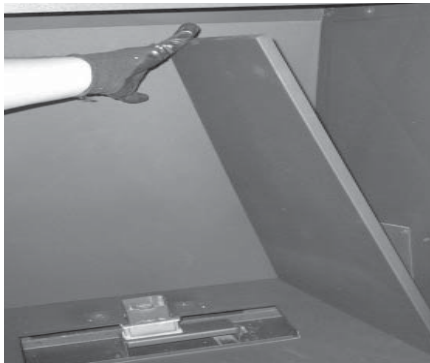
- c. Place the door on a soft surface to prevent scratching the surface.

- 4) Remove the pilot shield and burner assembly. (see page 28 for removal instructions).

- 5) Remove bolt on the clip holding in right inner panel.



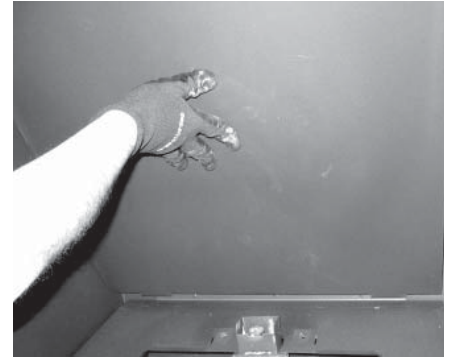
- 6) Lift out right panel.



- 7) Repeat process for left side.



- 8) When side panels have been removed, tilt back panel towards front of firebox.



- 9) Lift back panel up and out from slots to remove.



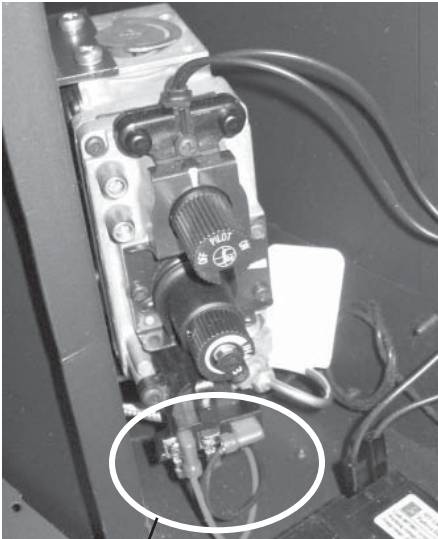
Slots for back panel



- 10) Remove bolts to lift out the firebox base.

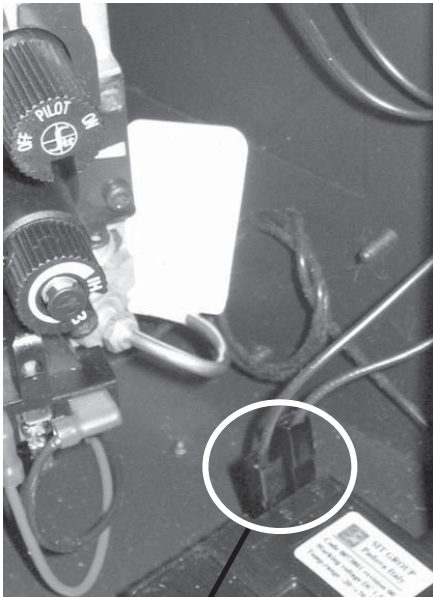
11) Disconnect the inlet gas line from the valve.

12) Unplug the green (TH) and white (TP/TH) wires from the valve.



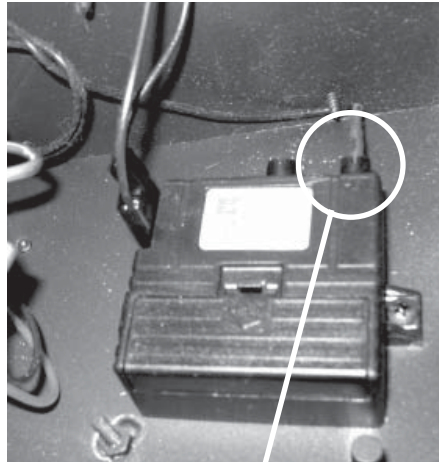
Disconnect 2 wires

13) Disconnect the 2 DC Spark generator wires from the DC spark box located in front of the valve.



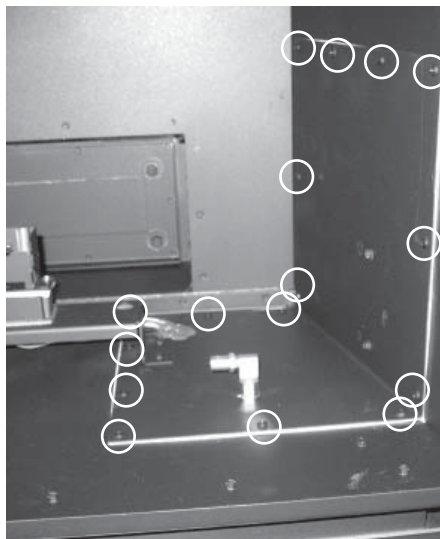
Disconnect 2 generator wires

14) Disconnect the spark electrode wire from the DC spark box.



DC Spark Box Electrode Wire

15) Remove the 16 screws that hold the valve tray to the firebox and slightly pull out the valve tray.



Location of Screws.

16) Completely pull out the valve tray.



Valve Tray Out

17) Replace the valve tray and reverse steps to re-install.

18) Turn on the gas supply and check for gas leaks.

19) Re-install the inner panels.

20) Re-install the burner.

21) Re-install the pilot shield.

22) Re-install the glass door.

23) Re-install the faceplate.

24) Check the inlet and outlet pressures.

25) Check operation of flame control.

26) Check for proper flame appearance.

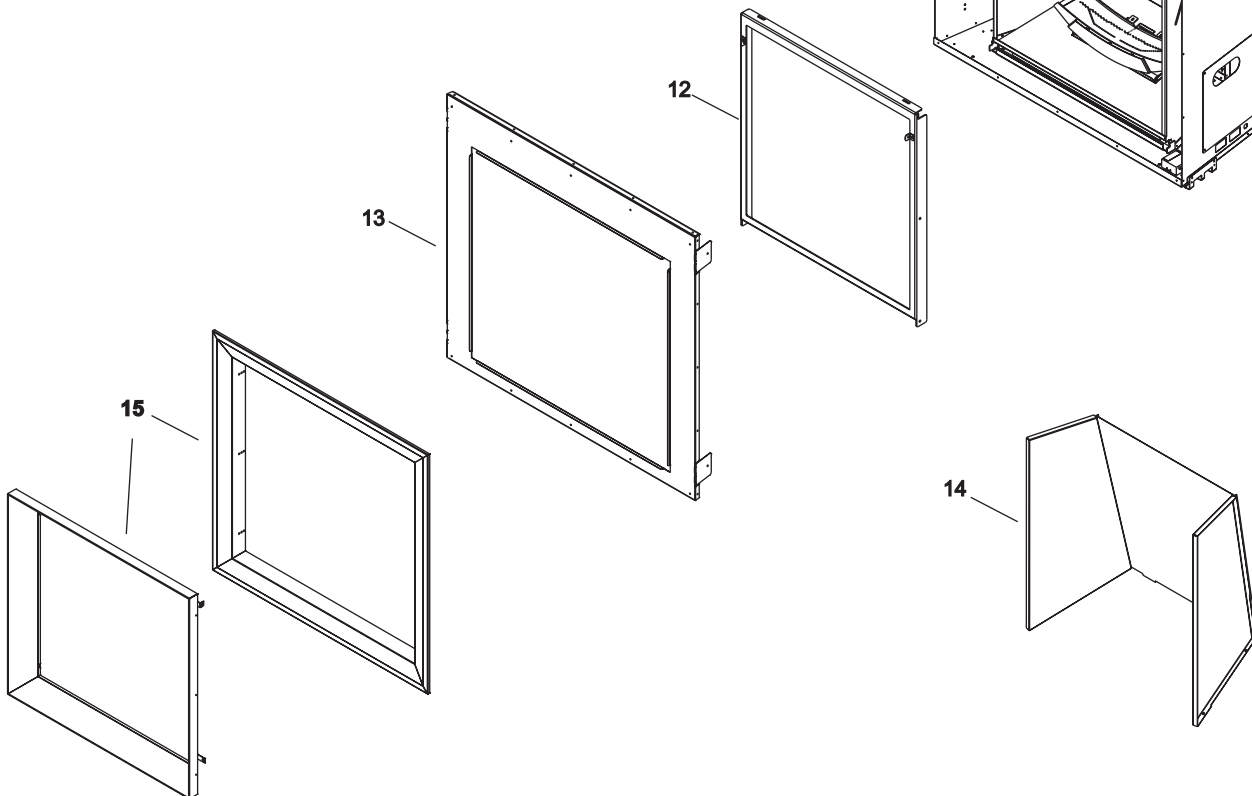
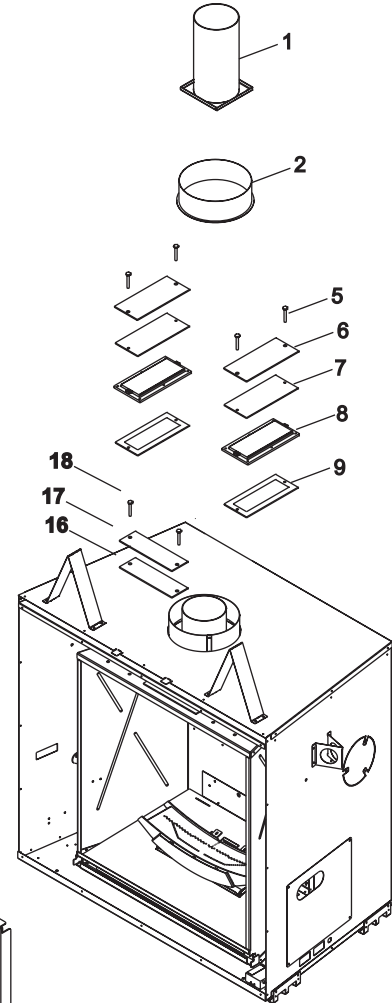
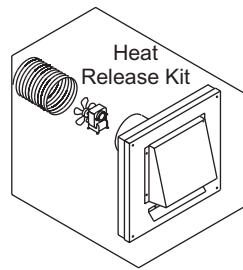
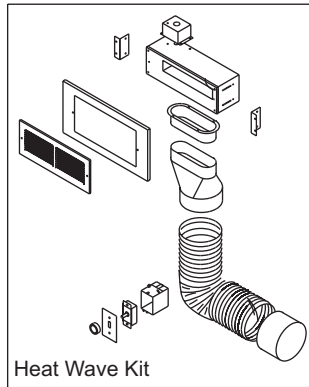
PARTS LIST

MAIN ASSEMBLY

Part #	Description	Part #	Description
1) 521-527	Flue Collar Inner Assembly	16) 526-027	Gasket
2) 502-008	Flue Collar Outer	17) 526-005F	Top Relief Plate
		18) 904-841	Capscrew
5) 904-751	Capscrew 1/4 x 4-1/2		
6) W260280	Gasket Top Relief Plate	946-671	Colbalt Glass
7) 770-066F	Top Relief Plate	946-674	Ceramic Spa Stones
8) 942-117	Top Relief Frame	946-680	GTM Remote Control
9) W260260	Top Relief Frame Gasket	910-576	Cover Wall Mount
		910-572	Receiver GTM SIT w/Batt & Cover
12) 526-005F	Door Frame Assembly, no Glass	940-	
351/P Glass			
		946-556	Heat Wave Kit
13) 526-006	Faceplate	946-570	Heat Release Kit
14) 526-907	Inner Reflective Panel Stainless Steel	522-969	LP Converison Kit
526-908	Inner Reflective Panel Enamel Black		
526-909	Inner Panel Metallic Black	918-758	Manual
*	Left Side Panel		
*	Back Panel		
*	Right Side Panel		
15) 526-911	Faceplate and Door Frame - Platinum		
526-913	Faceplate and Door Frame - Blue		
526-914	Faceplate and Door Frame - Black		
526-915	Faceplate and Door Frame - Red		

* Not available as a replacement part.

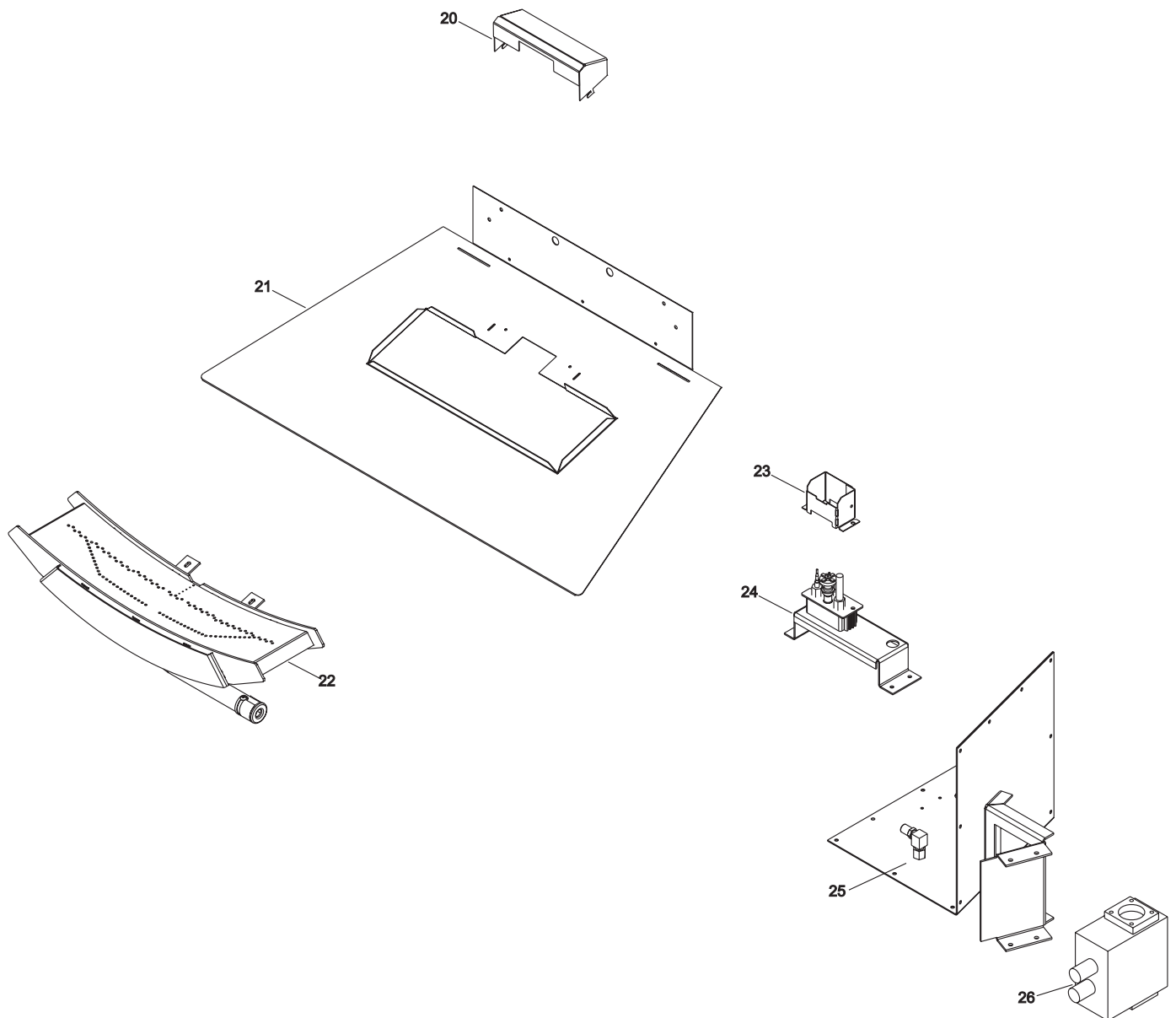
MAIN ASSEMBLY



PARTS LIST

BURNER ASSEMBLY

Part #	Description
20) 526-002	Pilot Assembly Shield
21) 526-000	Firebox Base
22) 526-525	Burner Assembly NG/LP
23) 502-061	Shield Pilot
24) 910-586	Pilot Assembly
25) 904-240	NG Orifice #37
904-345	LP Orifice # 53
26) 910-568	Valve NG/LP 820 SIT





Regency® Fireplace Products are designed with reliability and simplicity in mind. In addition, our internal Quality Assurance Team carefully inspects each unit thoroughly before it leaves our facility. Regency® Fireplace Products is pleased to extend this limited lifetime warranty to the original purchaser of a Regency® Product. This warranty is not transferable.

The Warranty: Limited Lifetime

The combustion chamber, heat exchanger, burner tubes/pans, logs, glass crystals, ceramic stones, pebbles, brick panels and gold plating (against defective manufacture only) are covered under the Limited Lifetime Warranty for five (5) years for parts and subsidized labour* and parts only thereafter.

Glass is covered for lifetime against thermal breakage only, parts and subsidized labour* for five (5) years and parts only thereafter from date of purchase.

External casting, surrounds and grills are covered against cracks and warps resulting from manufacturer defects, parts and subsidized labour* for three (3) years from the date of purchase and parts only thereafter.

Special Finishes - One year on stainless steel panels, nickel overlays, nickel faceplates, brushed nickel and antique copper full screens and doors. You can expect some changes in color as the product "ages" with constant heating and cooling. FPI warranties the product for any manufacturing defects on the original product. However, the manufacturer's warranty does not cover changing colors and marks, ie. finger prints, etc applied after the purchase of the product. Damage from the use of abrasive cleaners is not covered by warranty.

Electrical and mechanical components such as blowers, switches, wiring, thermodiscs, FPI remote controls, spill switches, thermopiles, thermocouples, pilot assembly components, and gas valves are covered for two years parts and one year subsidized labour* from the date of purchase. Blowers and valves replaced under warranty are considered repairs and continue as if new with appliance. ie. twelve (12) months from original purchase date of appliance with a minimum of three (3) months coverage from date of replacement.

FPI venting components are covered parts and subsidized labour* for three (3) years from date of purchase.

Simpson Dura-Vent venting components (Direct Vent units) are covered by Simpson Dura-Vent Inc. warranty.

Repair/replacement parts purchased by the consumer from FPI after the original coverage has expired on the unit will carry a 90 day warranty, valid with a receipt only. Any item shown to be defective will be repaired or replaced at our discretion. No labor coverage is included with these parts.

Conditions:

Any part or parts of this unit which in our judgement show evidence of such defects will be repaired or replaced at FPI's option, through an accredited distributor or agent provided that the defective part be returned to the distributor or agent **Transportation Prepaid**, if requested.

Porcelain/Enamel - Absolute perfection is either guaranteed nor commercially possible. Any chips must be reported and inspected by an authorized dealer within three days of installation. Reported damage after this time will be subject to rejection.

It is the general practice of FPI to charge for larger, higher priced replacement parts and issue credit once the replaced component has been returned to FPI and evaluated for manufacturer defect.

The authorized selling dealer is responsible for all in-field service work carried out on your Regency® product. FPI will not be liable for results or costs of workmanship from unauthorized service persons or dealers.

At all times FPI reserves the right to inspect product in the field which is claimed to be defective.

All claims must be submitted to FPI by authorized selling dealers. It is essential that all submitted claims provide all of the necessary information including customer name, purchase date, serial #, type of unit, problem, and part or parts requested, without this information the warranty will be invalid.

Exclusions:

This limited Lifetime Warranty does not extend to or include paint, door or glass gasketing or trim.

At no time will FPI be liable for any consequential damages which exceed the purchase price of the unit. FPI has no obligation to enhance or modify any unit once manufactured. ie. as products evolve, field modifications or upgrades will not be performed.

FPI will not be liable for travel costs for service work.

Installation and environmental problems are not the responsibility of the manufacturer and therefore are not covered under the terms of this warranty policy.

Embers, rockwool, gaskets, door handles and paint are not covered under the terms of this warranty policy.

Any unit which shows signs of neglect or misuse is not covered under the terms of this warranty policy.

The warranty will not extend to any part which has been tampered with or altered in any way, or in our judgment has been subject to misuse, improper installation, negligence or accident, spillage or downdrafts caused by environmental or geographical conditions, inadequate ventilation, excessive offsets, negative air pressure caused by mechanical systems such as furnaces, fans, clothes dryer, etc.

Freight damage to stoves and replacement parts is not covered by warranty and is subject to a claim against the freight carrier by the dealer.

FPI will not be liable for acts of God, or acts of terrorism, which cause malfunction of the appliance.

Performance problems due to operator error will not be covered by this warranty policy.

Products made or provided by other manufacturers and used in conjunction with the operation of this appliance without prior authorization from FPI, may nullify your warranty on this product.

Any alteration to the unit which causes sooting or carboning that results in damage to the interior / exterior facia is not the responsibility of FPI.

* Subsidy according to job scale as predetermined by FPI.

Regency® fireplaces are designed with reliability and simplicity in mind. In addition, our internal Quality Assurance Team carefully inspects each unit thoroughly before it leaves our door.

Regency Fireplace Products is pleased to extend this Limited Lifetime Warranty to the original purchaser of a Regency® Product.

See the inside back cover for details.

**Register your Regency® online at
<http://www.regency-fire.com>**

Installer: Please complete the following information

Dealer Name & Address: _____

Installer: _____

Phone #: _____

Date Installed: _____

Serial No.: _____