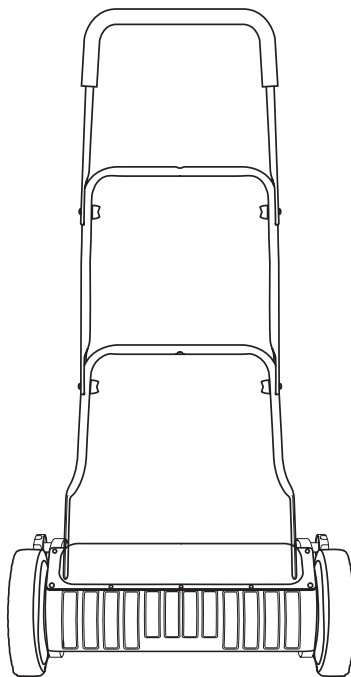


# Owner's Manual

for

**Sunlawn™**



## Manual Reel Mower

(Model MM-1)



Sunlawn, Inc.  
325 Garfield Street  
Fort Collins, CO 80524  
Tel: 970-493-5284  
FAX: 970-493-5202

For service inquiries, parts replacement,  
and maintenance tips, see

[www.sunlawn.com](http://www.sunlawn.com)

© 2006 by Sunlawn, Inc

## **BEFORE USING THE NEW MANUAL REEL MOWER**

Please read this guide and use these operating instructions to become familiar with the mower and its features. The notes on safety and maintenance procedures are important for the use and enjoyment of this product.

## **WARRANTY**

Sunlawn, Inc. (the Manufacturer) guarantees this product for private use for a period of 2 years from the date of purchase. This guarantee applies to all serious defects of the product which can be proven to have been caused by faulty materials or workmanship. The Manufacturer has the option of supplying a replacement of the product in perfect working order or repairing the product free of charge at an authorized facility, provided that the following conditions are fulfilled:

- The appliance has been handled correctly and in accordance with the instructions in the Owner's Manual.
- Neither the buyer nor a third party has attempted to repair the product.

This guarantee is void if replacement parts or accessories are used other than those approved by the Manufacturer.

The product, accompanied by a copy of the original receipt, must be delivered, prepaid, to a service center authorized by the Manufacturer.

This Manufacturer's guarantee shall not affect any guarantee claims against the dealer or seller of the product.

## **USE OF THIS PRODUCT**

This mower is designed for use on residential lawns. It is not designed for commercial use or for use in public facilities, parks, sporting grounds, roads, or in agriculture or forestry areas.

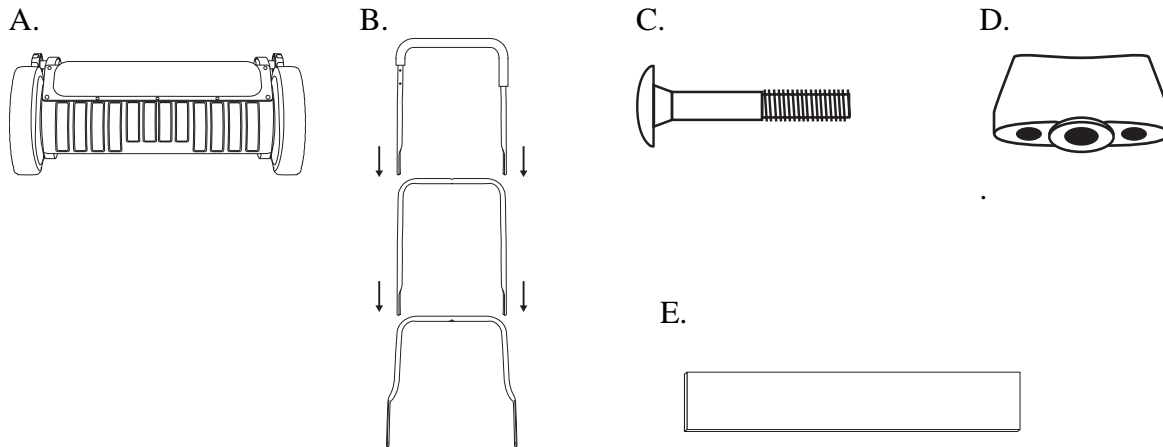
This mower is for cutting lawns only. It must not be used to trim hedges, bushes or shrubs, for cutting or pruning, or for any mowing where both wheels and the roller are not fully supporting the mower.

## ASSEMBLY

### PARTS LIST

Please check when unpacking the unit to be sure that all items listed below are included:

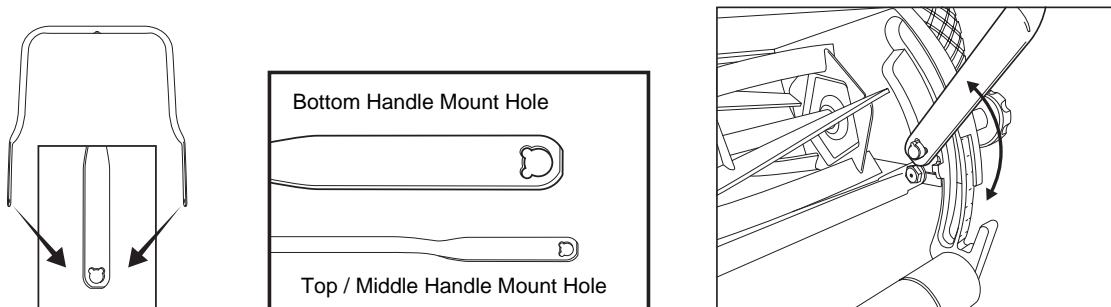
- A. Mower
- B. 3 handle sections (1 each upper, middle, lower)
- C. 4 handle bolts
- D. 4 wing nuts
- E. Stainless steel blade adjustment gauge
- F. Roller apron with mounting screws (not shown)  
See Mowing Using The Grass Catcher section, pages 4-5.
- G. Owner's Manual (not shown)



### ASSEMBLE THE HANDLE SECTIONS

1. Set the cutting height to the highest setting. (See Operation section – Adjusting the cutting height, page 3). This will make it easier to attach the lower handle section.

2. Fit the lower section of the handle so that the holes are over the handle posts on the mower. Then rock the handle to align the locking tabs and allow the handle section to fit into place.



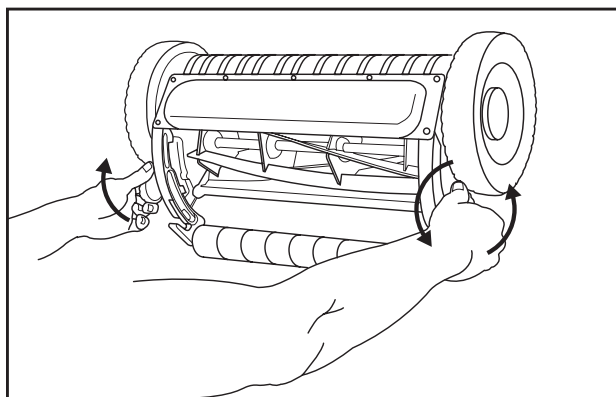
3. Continue assembly of the middle and top sections of the handle using the handle bolts and wing nuts.

## OPERATION

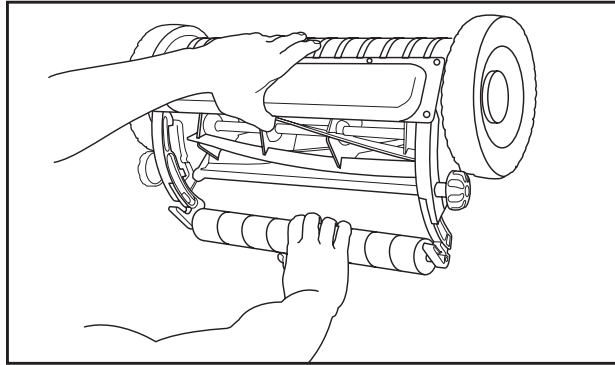
### ADJUSTING THE CUTTING HEIGHT

The cutting height of the MM-1 may be adjusted from approximately 1/2 inch up to approximately 2 1/4 inches. Actual height may vary according to the height of the turf. Adjust the mower to the desired height as follows:

1. Loosen the two large black knobs, one on each side of the mower body, to allow movement of the roller arms. NOTE: the handle is mounted to the roller arms and thus moves with the arms.



2. Set the height, using the scale on the back of the roller arms, to the same setting on both sides and re-tighten the black knobs. The mower is now ready to mow at the desired height setting.



## STARTING AND OPERATION



### WARNING

- Before starting the mower, check within the blade area for any foreign objects and remove them.
- Do not operate the mower on areas other than turf surfaces. The mower should be sitting on its wheels on a level part of the lawn before starting operation.

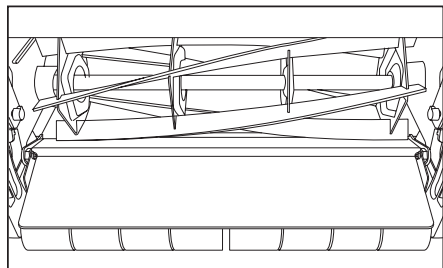
## NORMAL MOWING

To obtain a clean cut, push the mower in straight lines (passes) at a deliberate walking pace. Overlap the passes to even the cut and to avoid any uncut strips.

## MOWING USING THE GRASS CATCHER (OPTIONAL ACCESSORY)

The grass catcher collects the clippings as it mows. It attaches at the grass catcher hooks on the mower and by the strap to the mower handle. Mow using the same procedure as for normal mowing (above).

The roller apron keeps clippings from falling down between the cutting bar and the roller thus missing the grass catcher. The roller apron is installed just behind the cutting bar using the two screws provided. Once the roller apron is installed it is not necessary to remove it whether or not you are using the grass catcher.



## MOWING: GENERAL INFORMATION

### THE 1/3 RULE

This is the key to enjoyable mowing and a healthy lawn.

1. The lawn should be mowed regularly, at least once a week during the growing season.
2. Be guided by observing the lawn and taking care not to remove more than 1/3 of the total height of the turf at any mowing.
3. Following this rule will stimulate the turf's root growth, maintain its health, and encourage its natural ability to crowd out unwanted weeds.

If the lawn has become too high (over 4 inches in height) then it is best to set the mower higher than usual and mow, then reset down to the normal level and mow again within a day or two.

Removing too much of the turf's height, especially in the heat of summer, can cause root shock and weaken the lawn; bringing down the height by successive mowings over two or more days can avoid this damage and maintain the health of the turf.

If the lawn is overgrown (to higher than 4-5 inches) it may be advisable to use a brush cutter to remove the excess turf mass before resuming mowing at normal heights.

## **INSPECT THE MOWING AREA**

1. Before beginning to mow, remove any foreign objects, such as stones, branches, or bones, from the area.
2. Continue to check for such obstacles during mowing.

## **THE LAWN SHOULD BE RELATIVELY DRY**

1. Mowing wet grass causes unevenness in the cut and difficulty with the clippings.
2. Do not mow when it is raining.

# **MAINTENANCE**

## **CLEANING**

After using the mower, clean with a moist cloth. Spray the cylinder and cutting bar with silicon spray lube.

## **MAINTENANCE**

Regularly check to insure that all bolts, nuts, and screws are tight and that the mower is in good working order. Worn out and damaged parts should be replaced.

The blades, if properly cared for, will mow for years before requiring sharpening. Sharpening can only be done by a professional using a cylinder grinder and proper techniques.

## **STORAGE**

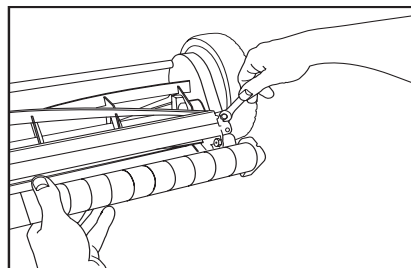
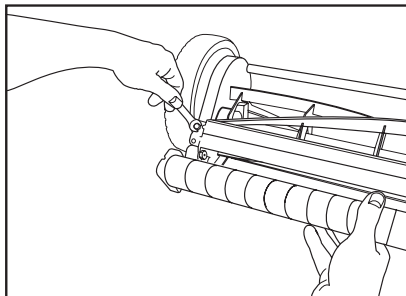
1. Store the MM-1 in a cool, dry place.
2. The mower should be stored out of the reach of children.

## **READJUSTING THE BLADE CLEARANCE**

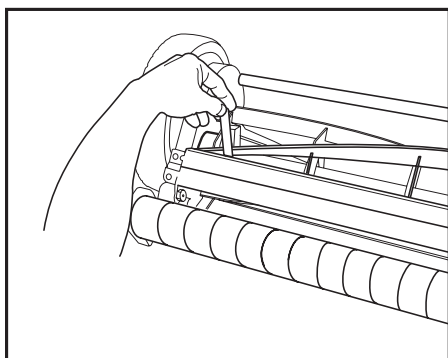
The blades are optimally adjusted from the factory. However, after using the mower for a long period, if the cut is not clean, the blades need readjusting. The procedure is as follows:



1. Turn the mower over to expose the cutting bar.
2. Using a 10mm open end wrench, turn the hex bolt at one end of the cutting bar until the cutting bar and cylinder come into contact. Then back off the bolt about 1/8 turn, until the cutting bar and cylinder are no longer in contact.



3. Make the same adjustment at the other end of the cutting bar.
4. Now check the adjustment using the small 0.05mm gauge (silver strip) supplied with the MM-1 (or any 0.05mm feeler gauge). If the gauge is held by the cylinder blades but the cylinder and cutting bar are not touching then the adjustment is correct.



5. The blades may also be tested by inserting a piece of paper vertically into the blades while turning them by hand.



**WARNING**

**Be careful of injury — handle the blades carefully to avoid cutting yourself. Wear appropriate gloves or hand protection.**

**TECHNICAL DATA**

Mower	Cutting width:	40 cm
	Weight with battery:	35.2 lb
	Cutting height rough (from floor):	.4 to 2.2 inches