



**REGENCY®**  
FIREPLACE PRODUCTS  
www.regency-fire.com

**EXCALIBUR®**  
www.excalibur-fire.com

  
**HAMPTON®**  
www.hampton-fire.com

# U31 Gas Insert

**Owners & Installation Manual**



MODELS: U31-NG2 Natural Gas U31-LP2 Propane

**WARNING:**

If the information in these instructions are not followed exactly, a fire or explosion may result causing property damage, personal injury or loss of life.

**FOR YOUR SAFETY**

Do not store or use gasoline or other flammable vapors and liquids in the vicinity of this or any other appliance.

Installation and service must be performed by a qualified installer, service agency or the gas supplier.

**FOR YOUR SAFETY**

What to do if you smell gas:

- Do not try to light any appliance
- Do not touch any electrical switch: do not use any phone in your building.
- Immediately call your gas supplier from a neighbour's phone. Follow the gas supplier's instructions.
- If you cannot reach your gas supplier, call the fire department.



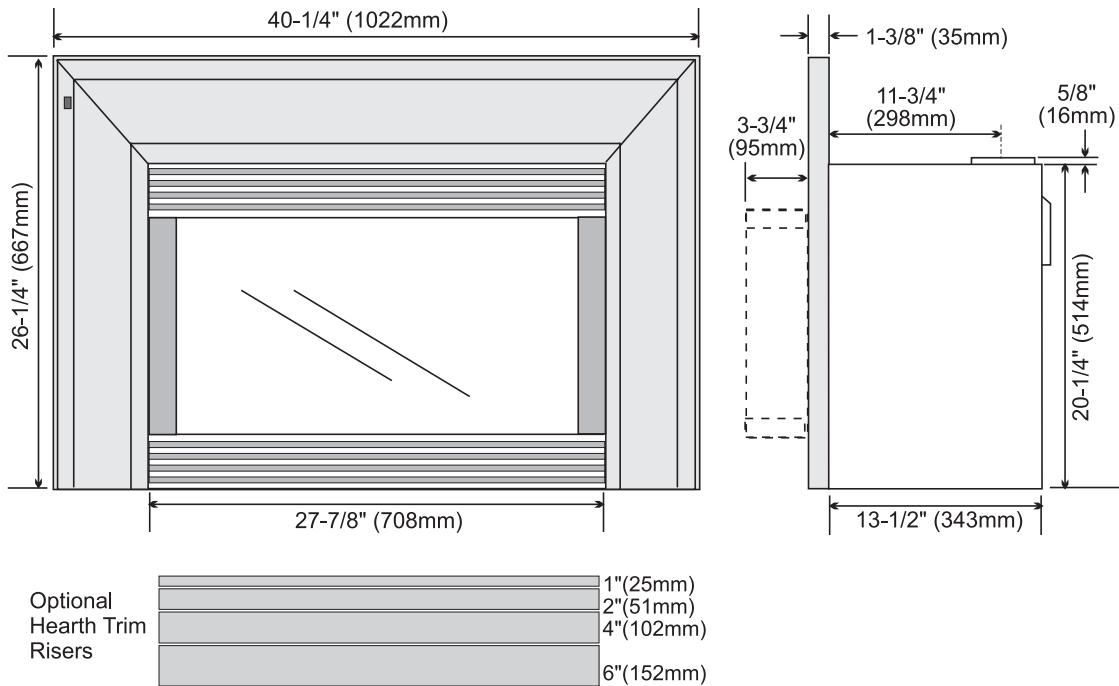
*Installer:* Please complete the details on the back cover and leave this manual with the homeowner.  
*Homeowner:* Please keep these instructions for future reference.

# FPI GAS FIREPLACE INSERT

TO THE NEW OWNER

**Congratulations! You are the owner of a state-of-the-art Gas Insert by FPI.**

**The FPI Gas Insert Series of hand crafted appliances has been designed to provide you with all the warmth and charm of a fireplace, at the flick of a switch. The models U31-NG2 and U31-LP2 of this series have been approved by Warnock Hersey for both safety and efficiency. As it also bears our own mark, it promises to provide you with economy, comfort and security for many trouble free years to follow. Please take a moment now to acquaint yourself with these instructions and the many features of your FPI Fireplace.**



**Note:** Oversize faceplate is 44" x 28" (1118 mm x 711mm)

**NATIONAL  
FIREPLACE  
INSTITUTE**

**CERTIFIED**  
www.nficertified.org

We recommend that our products be installed and serviced by professionals who are certified in the U.S. by the National Fireplace Institute® (NFI) or in Canada by Wood Energy Technical Training (WETT).

**Wood Energy  
Technical Training**  
www.wettinc.ca

# TABLE OF CONTENTS

## FPI GAS FIREPLACE INSERT

Unit Dimensions .....	2
Safety Label .....	4
MA Code - CO Detector (for the state of Massachusetts only) .....	5

### INSTALLATION

For Your Safety .....	6
Specifications .....	6
Installation into a Solid Fuel Fireplace .....	6
General Safety Information .....	6
Installation Checklist .....	7
Materials Required .....	7
Minimum Fireplace Clearances .....	7
Clearances to Combustibles .....	7
Conversion to Propane Kit .....	8
Gas Connection .....	8
High Elevation .....	8
Draft Hood Connection .....	8
Venting .....	9
Combustion & Ventilation .....	9
Gas Pressure Test .....	9
Gas Insert Aeration System .....	9
Test for Flue Spillage .....	9
Optional Brick Panel .....	10
Log Installation .....	10
Faceplate & Trim .....	12
Glass Front Installation	
Standard Flush Door (1 panel) .....	12
Flush Louvers .....	13
Optional Bay Front (3 panel) .....	13
Bay Louvers .....	13
Double Door Screen .....	13
Wiring Diagram .....	14
Full Screen Front .....	15
Hampton Cast Faceplate Installation .....	17
Hampton Cast Faceplate Grill .....	18
Excalibur Surround .....	19
Optional Wall Thermostat .....	21
Optional Remote Control .....	21

Final Check .....	21
-------------------	----

### OPERATING INSTRUCTIONS

Operating Instructions .....	21
Lighting Procedure .....	21
Shutdown Procedure .....	22
First Fire .....	22
Automatic Convection Fan Operation .....	22
Normal Operating Sounds of Gas Appliances .....	22
Copy of Lighting Instruction Plate .....	22

### MAINTENANCE

Maintenance .....	23
Gold Plated Trim .....	23
Log Replacement .....	23
Glass Gasket .....	23
Door Glass Replacement .....	24
Bay Glass Removal .....	24
Flush Glass Replacement .....	24
Fan Maintenance .....	24
Parts List .....	25


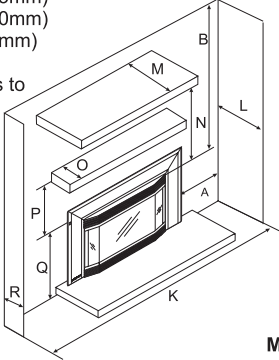

### WARRANTY

Warranty .....	31
----------------	----

# SAFETY LABEL

This is a copy of the labels that accompany each U31-2 Gas Insert. We have printed a copy of the contents here for your review. The safety label is located on a plate inside the base of the unit visible when the bottom louver is opened.

**NOTE: FPI units are constantly being improved. Check the label on the unit and if there is a difference, the label on the unit is the correct one.**

	<b>Listed: VENTED GAS FIREPLACE HEATER</b> Tested to: ANSI Z21.88b-2003/CSA-2.33b-2003, CAN/CGA 2.17-M91 Certified for / Certifiee pour: CANADA AND U.S.A. REPORT NO.476-1166 (May 1995), 476-1758-00 (Feb. 2000)		<b>DO NOT REMOVE THIS LABEL / NE PAS ENLEVER CETTE ETIQUETTE</b>  <div style="border: 1px solid black; padding: 5px; display: inline-block;"> <b>218</b> </div>  Serial No. / No de serie		
	<b>NATURAL GAS FIREPLACE INSERT: MODEL U31-NG2</b>		<b>PROPANE FIREPLACE INSERT: MODEL U31-LP2</b>		
Model: U31-NG2	<b>Factory Equipped For Altitude 0-2000ft. (0-610m)</b>				
	Min. supply pressure	5" WC	(1.25kPa)	12" WC (2.99 kPa)	
	Low Setting Man. pressure	1.1" WC	(0.27kPa)	2.9" WC (0.72 kPa)	
	Max. Manifold pressure	3.8" WC	(0.95kPa)	11" WC (2.74 kPa)	
	Orifice size	37 DMS	(2.64mm)	52 DMS (1.6mm)	
	Minimum input	14,500 Btu/h	(4.25kW)	13,700 Btu/h (4.01kW)	
	Altitude	0-2000ft	(0-610m)	0-2000ft (0-610m)	
	Maximum input	30,000 Btu/h	(8.79kW)	27,500 Btu/h (8.057kW)	
Model: U31-LP2	<b>Field Convertible For Altitude 2000-4500ft.(610-1370m)</b>				
		Use Conversion Kit (Part #400-970)		Use Conversion Kit (Part #400-971)	
	Min. supply pressure	5" WC	(1.25 kPa)	12" WC	(2.99 kPa)
	Low Setting Man. pressure	1.1" WC	(0.27 kPa)	2.9" WC	(0.72 kPa)
	Max. Manifold pressure	3.8" WC	(0.95 kPa)	11" WC	(2.74 kPa)
	Orifice size	40 DMS	(2.49 mm)	53 DMS	(1.5mm)
	Minimum input	13,000 Btu/h	(3.81kW)	12,400 Btu/h	(3.63 kW)
	Altitude	2000-4500ft	(610-1370m)	2000-4500ft	(610-1370m)
Maximum input	27,200 Btu/h	(7.97kW)	25,000 Btu/h	(7.33 kW)	
This vented gas fireplace heater is not for use with air filters. <b>WARNING:</b> This fireplace has been converted for use with a gas fireplace insert only and cannot be used for burning wood or solid fuels unless all original parts have been replaced, and the fireplace re-approved by the authority having jurisdiction. For installation in Solid Fuel Burning Fireplaces. This appliance must be installed in accordance with local codes, if any. If not, follow ANSI Z223.1/CAN 1-B149 Electrical Supply: 115V, 56 WATTS, 60Hz. NOT FOR USE WITH SOLID FUELS.					
<b>Minimum Clearances to Combustibles from Insert</b> Side wall A 10" (255mm) Ceiling B 47-1/2" (1205mm) Alcove Width K 48" (1220mm) Max. Alcove Depth L 36" (915mm)			<b>Mantel Clearances in Masonry Fireplace Installation</b> Mantel width M 12" (305mm) Mantel height N 17" (432mm) Mantel width O 3-1/2" (89mm) Mantel height P 13" (330mm) Floor Q 19-1/2" (495mm)		
NOTE: for Zero Clearance Kit clearances to Combustibles. See manual for details.			<b>Mantel Clearances in Zero Clearance Kit Installations</b> Mantel width M 12" (305mm) Mantel height N 22" (432mm)		
<b>Non-Combustible Hearth Extension</b> Hearth height H 0" (0mm) Hearth depth I 16" (405mm) Hearth width J 40" (1015mm)					
					
FPI Fireplace Products International Ltd. Delta BC, CANADA MADE IN CANADA / FABRIQUE AU CANADA  908-786c					

For the State of Massachusetts, installation and repair must be done by a plumber or gasfitter licensed in the Commonwealth of Massachusetts.

For the State of Massachusetts, flexible connectors shall not exceed 36 inches in length.

For the State of Massachusetts, the appliances individual manual shut-off must be a t-handle type valve.

The State of Massachusetts requires the installation of a carbon monoxide alarm in accordance with NFPA 720 and a CO alarm with battery back up in the same room where the gas appliance is installed.

## MA Code - CO Detector (for the State of Massachusetts only)

### 5.08: Modifications to NFPA-54, Chapter 10

(2) Revise 10.8.3 by adding the following additional requirements:

(a) For all side wall horizontally vented gas fueled equipment installed in every dwelling, building or structure used in whole or in part for residential purposes, including those owned or operated by the Commonwealth and where the side wall exhaust vent termination is less than seven (7) feet above finished grade in the area of the venting, including but not limited to decks and porches, the following requirements shall be satisfied:

1. **INSTALLATION OF CARBON MONOXIDE DETECTORS.** At the time of installation of the side wall horizontal vented gas fueled equipment, the installing plumber or gasfitter shall observe that a hard wired carbon monoxide detector with an alarm and battery back-up is installed on the floor level where the gas equipment is to be installed. In addition, the installing plumber or gasfitter shall observe that a battery operated or hard wired carbon monoxide detector with an alarm is installed on each additional level of the dwelling, building or structure served by the side wall horizontal vented gas fueled equipment. It shall be the responsibility of the property owner to secure the services of qualified licensed professionals for the installation of hard wired carbon monoxide detectors

a. In the event that the side wall horizontally vented gas fueled equipment is installed in a crawl space or an attic, the hard wired carbon monoxide detector with alarm and battery back-up may be installed on the next adjacent floor level.

b. In the event that the requirements of this subdivision can not be met at the time of completion of installation, the owner shall have a period of thirty (30) days to comply with the above requirements; provided, however, that during said thirty (30) day period, a battery operated carbon monoxide detector with an alarm shall be installed.

2. **APPROVED CARBON MONOXIDE DETECTORS.** Each carbon monoxide detector as required in accordance with the above provisions shall comply with NFPA 720 and be ANSI/UL 2034 listed and IAS certified.

3. **SIGNAGE.** A metal or plastic identification plate shall be permanently mounted to the exterior of the building at a minimum height of eight (8) feet above grade directly in line with the exhaust vent terminal for the horizontally vented gas fueled heating appliance or equipment. The sign shall read, in print size no less than one-half (1/2) inch in size, "**GAS VENT DIRECTLY BELOW. KEEP CLEAR OF ALL OBSTRUCTIONS**".

4. **INSPECTION.** The state or local gas inspector of the side wall horizontally vented gas fueled equipment shall not approve the installation unless, upon inspection, the inspector observes carbon monoxide detectors and signage installed in accordance with the provisions of 248 CMR 5.08(2)(a)1 through 4.

(b) **EXEMPTIONS:** The following equipment is exempt from 248 CMR 5.08(2)(a)1 through 4:

1. The equipment listed in Chapter 10 entitled "Equipment Not Required To Be Vented" in the most current edition of NFPA 54 as adopted by the Board; and

2. Product Approved side wall horizontally vented gas fueled equipment installed in a room or structure separate from the dwelling, building or structure used in whole or in part for residential purposes.

(c) **MANUFACTURER REQUIREMENTS - GAS EQUIPMENT VENTING SYSTEM PROVIDED.** When the manufacturer of Product Approved side wall horizontally vented gas equipment provides a venting system design or venting system components with the equipment, the instructions provided by the manufacturer for installation of the equipment and the venting system shall include:

1. Detailed instructions for the installation of the venting system design or the venting system components; and

2. A complete parts list for the venting system design or venting system.

(d) **MANUFACTURER REQUIREMENTS - GAS EQUIPMENT VENTING SYSTEM NOT PROVIDED.** When the manufacturer of a Product Approved side wall horizontally vented gas fueled equipment does not provide the parts for venting the flue gases, but identifies "special venting systems", the following requirements shall be satisfied by the manufacturer:

1. The referenced "special venting system" instructions shall be included with the appliance or equipment installation instructions; and

2. The "special venting systems" shall be Product Approved by the Board, and the instructions for that system shall include a parts list and detailed installation instructions.

(e) A copy of all installation instructions for all Product Approved side wall horizontally vented gas fueled equipment, all venting instructions, all parts lists for venting instructions, and/or all venting design instructions shall remain with the appliance or equipment at the completion of the installation.

# INSTALLATION

## IMPORTANT: SAVE THESE INSTRUCTIONS

The FPI Gas Insert must be installed in accordance with these instructions. Carefully read all the instructions in this manual first. Consult the building authority having jurisdiction to determine the need for a permit prior to starting the installation.

**NOTE: Failure to follow the instructions could cause a malfunction of the heater which could result in death, serious bodily injury, and/or property damage. Failure to follow these instructions may also void your fire insurance and/or warranty. This appliance can be used with a thermostat.**

## FOR YOUR SAFETY

This appliance requires air for proper combustion. Always provide adequate combustion and ventilation air. Follow instructions and information in CAN/CGA B149 (in Canada) or the National Fuel Gas Code ANSI Z223.1 (in the USA), regarding requirements for combustion and ventilation air.

## SPECIFICATIONS

At pressures over 1/2 psig, the pipe to the unit must be disconnected.

<b>Gas Input Capacity:</b>	
Natural Gas	30,000 Btu/h
Propane	27,500 Btu/h
<b>Min. Output (Fan Off)</b>	
Natural Gas	21,000 Btu/h
Propane	19,400 Btu/h
<b>Max. Output (Fan On)</b>	
Natural Gas	22,000 Btu/h
Propane	20,500 Btu/h

**Fuels:** Approved for use with both natural gas, and propane. Approved as is for use at 0' to 2,000'. With a field installed conversion kit 0' - 4,500'.

**Electrical:** 120V A.C. system.

**Circulation Fan:** Variable speed, 127 CFM.

**Log Set:** Ceramic fibre, 7 per set.

**Vent System:** Minimum 4" B-Vent or listed gas fuel vent liner.

## GAS PRESSURE TESTING

The appliance must be isolated from the gas supply piping system by closing its individual manual shut off valve during any pressure testing of the gas supply piping system at test pressures equal to or less than 1/2 psig. (3.45 kPa). Disconnect piping from valve at test pressures over 1/2 psig (3.45 kPa).

## POLICY FOR SOLID FUEL BURNING AND FACTORY BUILT FIREPLACES

The FPI U31-2 may be installed and vented into any solid fuel fireplace that has been installed in accordance with the National, Provincial and local building codes and is constructed of non-combustible materials.

- 1) Installer must mechanically attach the supplied label to the inside of the firebox of the fireplace into which the gas fireplace insert is installed.

**WARNING:** This fireplace has been converted for use with a gas fireplace insert only and cannot be used for burning wood or solid fuels unless all original parts have been replaced, and the fireplace re-approved by the authority having jurisdiction.

- 2) Do not cut any sheet-metal parts of the fireplace, in which the gas fireplace insert is to be installed.
- 3) If the factory-built fireplace has no gas access hole(s) provided, an access hole of 1-1/2" (37.5mm) or less may be drilled through the lower sides or bottom of the firebox in a proper workmanship like manner. This access hole must be plugged with a non-combustible insulation after the gas supply line has been installed.
- 4) The fireplace flue damper can be fully blocked open or removed for installation of the gas fireplace insert.
- 5) The fireplace and fireplace chimney must be clean and in good working order and constructed of non-combustible materials.
- 6) The chimney cleanouts must fit properly.
- 7) Refractory (firebricks), glass doors, screen rails, screen mesh and log grates can be removed from the fireplace before installing the gas fireplace insert.
- 8) Smoke shelves, shields and baffles may be removed if attached by mechanical fasten-

ers. If any part is removed it must not weaken the structural integrity of the factory built.

- 9) Trim panels or surrounds shall not seal ventilation openings in the fireplace.

## BEFORE YOU START

Safe installation and operation of this appliance requires common sense, however, we are required by the Canadian Safety Standards and ANSI Standards to make you aware of the following:

### General Safety Information

- 1) The appliance installation must conform with local codes or in the absence of local codes, with CAN/CGA B149 (in Canada) or the National Fuel Gas Code ANSI Z223.1. This appliance should be installed by a qualified gas fitter technician only.
- 2) **Installation and repair should be done by a qualified service person.**
- 3) The appliance should be inspected before use and at least annually by a professional service person. More frequent cleaning may be required due to excessive lint from carpeting, bedding material, animal hair, etc. It is imperative that control compartments, burners and circulating air passageways of the appliance be kept clean.
- 4) See general construction and assembly instructions. This appliance may only be installed in a vented, noncombustible fireplace.
- 5) This appliance is Listed for bedroom installations. In Canada room heaters must be installed with a Listed Millivolt Thermostat. Some areas may have further requirements, check local codes before installation.
- 6) This unit is not approved for installation into a mobile home.
- 7) Always connect this insert to a vent system venting to the outside of the building envelope. Never vent to another room or inside a building. Make sure that the vent is properly sized and is of adequate height to provide the proper draft.
- 8) Inspect the venting system annually for blockage and any signs of deterioration.
- 9) Any glass removed for servicing must be replaced prior to operating the appliance.
- 10) To prevent injury, do not allow anyone who is unfamiliar with the operation to use the fireplace.

- 11) Failure to position the parts in accordance with the diagrams in this manual or failure to use only parts specifically approved with this appliance may result in property damage or personal injury.
- 12) Due to high temperatures, the appliance should be located out of high traffic areas and away from furniture and draperies. Children and adults should be alerted to the hazards of high surface temperatures, especially the fireplace glass and gold trims, and should stay away to avoid burns or clothing ignition. Young children should be carefully supervised when they are in the same room as the appliance. Clothing or other flammable material should not be placed on or near the appliance.

Emissions from burning wood or gas could contain chemicals known to the State of California to cause cancer, birth defects or other reproductive harm.

- 14) **Final check:** Before leaving this unit with the customer, the installer must ensure that the appliance is firing correctly. This includes:
  - a) Clocking the appliance to ensure the correct firing rate.
  - b) Adjusting the primary air, if required, to ensure that the flame does not carbon. See page 10.
  - c) Ensuring that the appliance is venting correctly. See page 9.

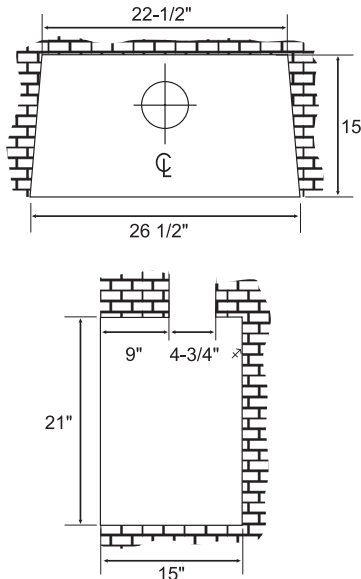
## MATERIALS REQUIRED

No electrical power supply is required for the gas control to operate. A 120 Volt AC power cord is hooked up to the fan. Plug the 3 wire cord into a suitable receptacle. **Do not cut the ground terminal off under any circumstances.** When connected with 120 volts, the appliance must be electrically grounded in accordance with local codes, or in the absence of local codes, with the current Canadian Electrical Code CSAC22.1 (in Canada) or with the current National Electrical Code ANSI/NFPA 70-1987 (in U.S.A.).

**NOTE: This unit is equipped with a heat sensor thermodisc which will prevent the blower from operating until the unit reaches the correct temperature.**

## MINIMUM FIREPLACE DIMENSIONS

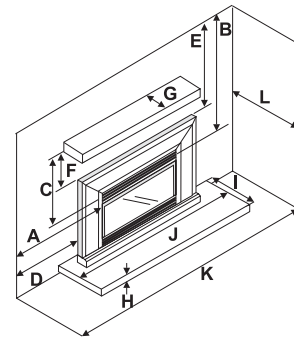
The minimum fireplace dimensions for the FPI gas fireplace insert are shown in the following diagrams:



**Note:** If you are installing the Molded Faceplate or Excalibur Surround, the minimum fireplace dimensions are as follows:  
 Width (at front): 29" (737mm)  
 Depth: 16" (406mm)

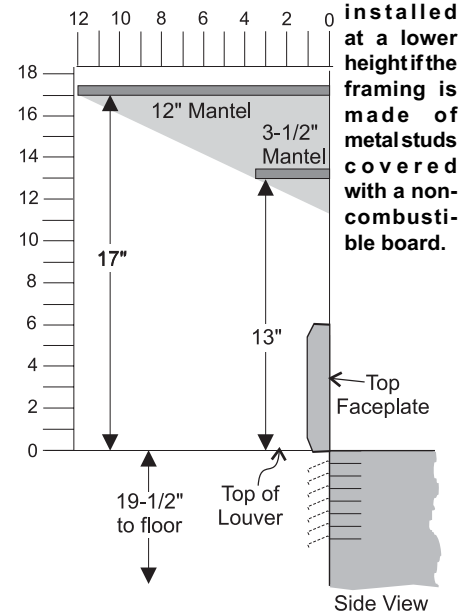
## CLEARANCES TO COMBUSTIBLES

	From Unit
<b>Sides</b>	<b>A</b> 10" / 255 mm
<b>Ceiling</b>	<b>B</b> 47.5" / 1205 mm
<b>Mantle</b>	<b>C</b> See mantle clearances
<b>From Standard Surround (26" x 40")</b>	
<b>Sides</b>	<b>D</b> 4" / 100 mm
<b>Ceiling</b>	<b>E</b> 41.5" / 1055 mm
<b>Max. Mantel Depth</b>	<b>G</b> 12" / 305 mm
<b>Hearth Height</b>	<b>H</b> 0" / 0 mm
<b>Hearth Depth</b>	<b>I</b> 16" / 405 mm
<b>Hearth Width</b>	<b>J</b> 40" / 1015 mm
<b>Min. Alcove Width</b>	<b>K</b> 48" / 1220 mm
<b>Max. Alcove Depth</b>	<b>L</b> 36" / 915 mm



## Combustible Mantel Clearances with Bay & Flush Louvers in Masonry Installation

**Note: A non-combustible mantel may be installed at a lower height if the framing is made of metal studs covered with a non-combustible board.**



**NOTE: Mantel clearances for Installation into a Zero Clearance Kit are different. Please refer to the Zero Clearance Kit Manual for details.**

## INSTALLATION CHECKLIST

The FPI Gas Insert is installed as listed below.

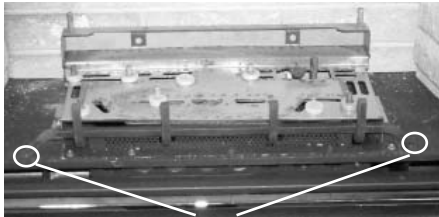
- 1) Unit Location - check Clearances to Combustibles on page 6.
- 2) Make the gas connections (see page 7). Convert to Propane Gas if necessary, page 7.
- 3) Install the flue or liner to the sliding draft hood. See page 8.
- 4) Install Venting, page 8. Slide the unit into the fireplace. Attach draft hood to the insert.
- 5) Test gas pressure, page 8. Check aeration, page 8.
- 6) Test for flue spillage, page 8.
- 7) Install the optional brick panels. See page 9.
- 8) Install the log set. See page 9.
- 9) Assemble and install the faceplate and trim. See page 11.
- 10) Install the glass front and optional Bay Front. See pages 11 & 12.
- 11) Install both louvers. See page 12.
- 12) Install Optional Double Screen Door. See page 12
- 13) Install Optional Remote Control and Optional Wall Thermostat, page 20.

# INSTALLATION

## Conversion Kit from Natural Gas to Propane Model #402-969 for: U31-NG2 Units

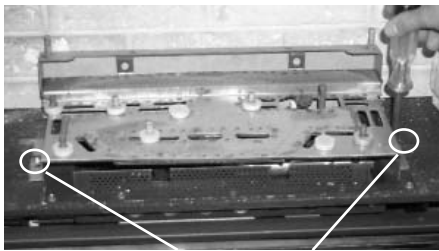
**THIS CONVERSION MUST BE DONE BY A QUALIFIED GAS FITTER IF IN DOUBT DO NOT DO THIS CONVERSION !!**

- 1) Turn the unit off and allow it to cool to room temperature.
- 2) Unplug or disconnect power source to stove.
- 3) Remove glass front (see manual).
- 4) Remove logs and brick panels (if installed).
- 5) Remove the Grate by removing the screws on each side of the grate.



Remove the 2 screws holding the grate in position.

- 6) Remove the Burner Tray by removing the screws on each side of the tray. Push the tray to the left and lift up.



Remove the 2 screws, push Burner Tray to the left, and lift off.

- 7) Remove burner orifice with 1/2" wrench and replace with the #52 orifice in the Kit.



Burner Orifice

- 8) Remove regulator from valve and replace with Propane regulator. See diagram 1.

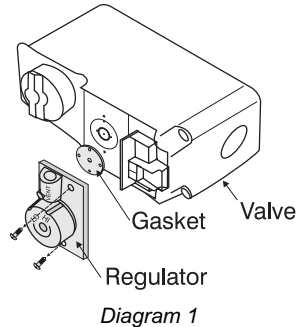


Diagram 1

- 9) Pull off the pilot cap to expose the pilot orifice.



- 10) Unscrew the pilot orifice with the allen key and replace with the LP pilot orifice in the kit.



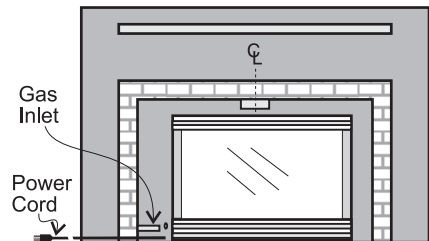
- 11) Replace Burner Tray and reverse steps 5) to 1).
- 12) Adjust the burner aeration setting to 1/8" to 3/16" as required for the best flame picture.

## GAS CONNECTION

### **GAS CONNECTION WARNING:**

Only persons licensed to work with gas piping may make the necessary gas connections to this appliance.

- 1) If the appliance is to be installed into an existing chimney system, thoroughly clean the masonry or factory built fireplace.
- 2) The appliance is provided with an opening on the left hand side of the control compartment. A 1/2" gas supply pipe must be brought near this inlet hole. (See Diagram 3 on page 11).



- 3) Locate the center point where the vent will pass through the chimney above the appliance. Move the appliance into the exact location where it is to be installed. Ensure that the Insert is level.
- 4) The installer must provide a valve with a plugged tapping, accessible for test gauge connection, immediately upstream of the gas supply connection to the appliance.

## HIGH ELEVATION

This unit is approved in Canada for altitude 0 to 2000 ft. with the orifice supplied. For 0' - 4500' use the optional field conversion kit (Part #400-970 for Natural Gas units and Part #400-971 for Propane units). In USA refer to ANSI Z223.1-1988, Appendix F, for re-sizing orifice.

## DRAFT HOOD CONNECTION

- 1) Attach the vent to the flue collar on the detachable draft hood. The flue collar of the appliance will fit inside a standard vent and may be fastened directly to the vent by sheet metal screw. Diagram 1.
- 2) Before pushing the appliance into position inside the fireplace, align the draft hood with the guides on the insert top and push forward. While pushing the unit back into place keep pulling the draft hood forward until the screw hole in the spill tube aligns



# INSTALLATION

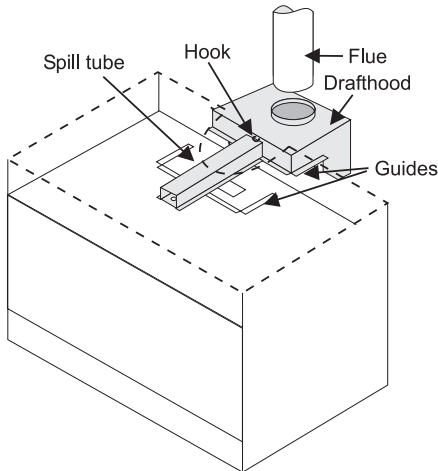


Diagram 1

with the screw hole in the top of the firebox. The screw is secured through the inside top of the firebox into the bottom of the spill tube. (If screw holes do not line up then draft hood is not positioned correctly.)

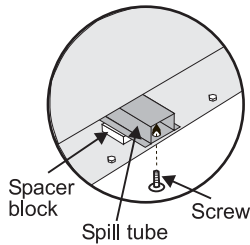


Diagram 2

**NOTE:** final gas connection should be after unit is in place to avoid damage to line when pushing the unit into position.

## VENTING

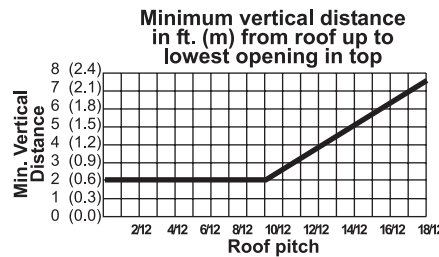
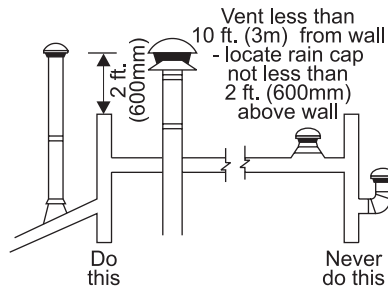
**THE APPLIANCE MUST NOT BE CONNECTED TO A CHIMNEY FLUE SERVING A SEPARATE SOLID FUEL BURNING APPLIANCE.**

This appliance is designed to attach to a 4" diameter type B-Vent or listed gas fuel type vent liner running the full length of the chimney. A minimum flue height of 12 feet is recommended. B-Vent must be supported by a vent support - supplied by vent manufacturer. See chart on this page for minimum distances from roof.

The FPI Insert incorporates its own internal draft hood, so no additional external draft hood is required.

Periodically check that the vent is unrestricted and an adequate draft is present when the unit is in operation. (See page 8 for spillage test.)

Before installing vent system ensure that the damper plate is open and secure to prevent the damper plate from falling down and crushing the liner.



**WARNING:** Operation of this appliance when not connected to a properly installed and maintained venting system or tampering with the blocked vent shutoff system can result in carbon monoxide (CO) poisoning and possible death.

### Combustion and Ventilation Air

**WARNING:** This appliance needs fresh air for safe operation and must be installed with provisions for adequate combustion and ventilation air available to the room in which it is to be operating.

Follow CAN/CGA B149 (in Canada) or ANSI Z223.1 (in the USA) requirements, and any local codes or regulations of the enforcing authority.

Air for combustion is drawn in through the front of the unit, therefore, the front of the unit must be kept clear of any obstructions.

## GAS PRESSURE TEST

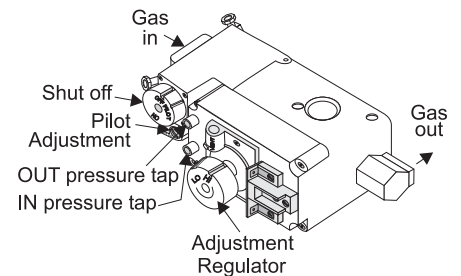
The unit is preset to give the correct gas input at the specified manifold pressures shown on the label. The maximum gas manifold pressure is:

Natural Gas	3.8" w.c.
Propane	11.0" w.c.

The manifold pressure is controlled by a regulator built into the gas control, and should be checked at the pressure test point. The pressure check should be carried out with the unit burning and the setting should be within the limits specified.

## GAS INSERT AERATION SYSTEM

The aeration adjustment rod is attached to the air shutter which is located just above the orifice bracket. The rod is used to adjust the aeration on the main burner without having to take the appliance apart.



The burner aeration is factory set but may need adjusting due to either the local gas supply, air supply or altitude.

Natural Gas:	1/8" (3.2mm) open
Propane:	3/16" (4.8mm) open

**Note:** Any damage due to carboning resulting from improperly setting the aeration controls is NOT covered under warranty.

**Note:** Aeration Adjustment should only be performed by an authorized FPI Installer at the time of installation or service.

## TEST FOR FLUE SPILLAGE

**A "spillage" test must be made before the installed unit is left with the customer. Follow the procedure below:**

- 1) Start all exhaust fans in the home and then close all external doors and windows in the house.
- 2) Light the unit and set controls to maximum. Turn fan off.

# INSTALLATION

- After five minutes, test that there is a "pull" on the flue by placing a smoke match, cigarette or similar device which gives off smoke, in front of the spill tube. To ensure a valid test, place a scrap piece of sheet metal (or other noncombustible material) between the spill tube and the upper louver, this will prevent the natural convection of the unit from interfering with the test. See diagram 1.

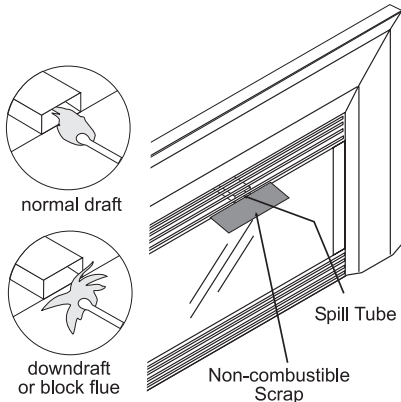
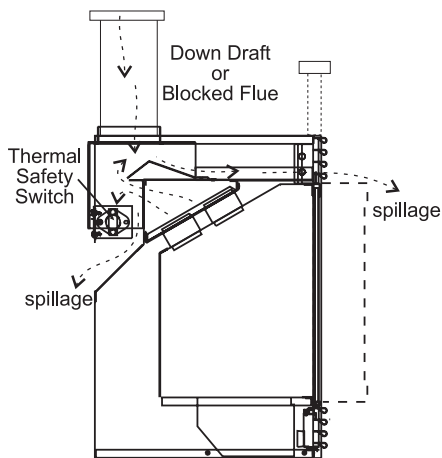


Diagram 1

The smoke should be drawn into the spill tube. If the smoke is still not drawn into the spill tube, turn the unit off and check for the cause of the lack of draft. If necessary, seek expert advice.



For wind turbulent sites, a wind cap may remedy the problem.

**Note:** The thermally activated safety switch will sense the change in temperature and shut down the gas valve in the event of a severe downdraft or a blocked or disconnected vent. The switch acts as a safety shut-off to prevent a build-up of carbon monoxide. If the flue is blocked or has no "draw", the switch will automatically shut off the supply of gas within 5 - 10 minutes. Tampering with the switch can result in carbon monoxide (CO) poisoning and possible death.

**If the heater turns off because of lack of draft during the spillage test, check for the cause and if necessary, seek expert advice.**

**The thermally actuated safety switch will automatically reset after it has cooled off. The switch will continue to cycle until the draft problem is corrected. DO NOT BYPASS OR DISCONNECT THIS SWITCH.**

## OPTIONAL BRICK PANEL

- Unwrap the brick pattern panels from the protective wrapping.
- Remove the glass front if it is already installed.
- Put the rear brick panel flat against the back of the unit.
- Before installing the side brick panels, loosen the screws for the brick tabs enough so that you can slide the brick tabs on to the screws easily but that the tabs are secure. For the location of the side brick tab screws see diagram 1.

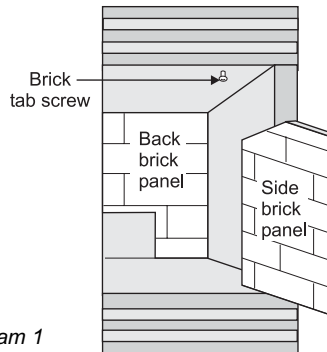


Diagram 1

- Remove the brick tabs and slide the side brick panels into position. See diagram 3. Install the brick tabs. See diagram 2.

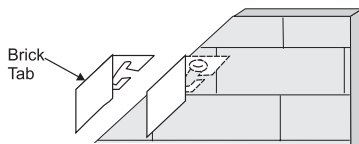


Diagram 2

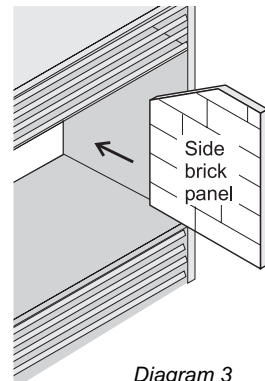


Diagram 3

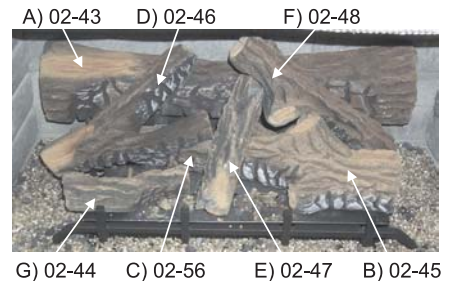
## LOG SET INSTALLATION

Read the instructions below carefully and refer to the diagrams. If logs are broken do not use the unit until they are replaced. Broken logs can interfere with the pilot operation.

The gas log kit contains the following:

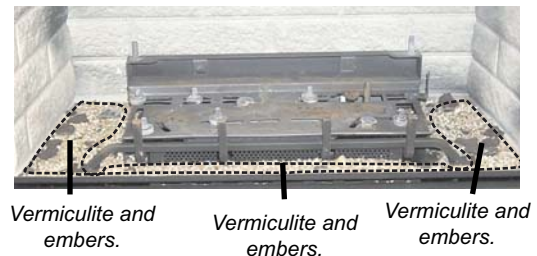
a)	02-43	Rear Log	902-227
b)	02-45	Front Right Log	902-229
c)	02-56	Middle Left Log	902-230
d)	02-46	Left Top Log	902-231
e)	02-47	Center Log	902-232
f)	02-48	Middle Right Log	902-226
g)	02-44	Front Left Log	902-228
h)		Embers	902-154
i)		Rockwool	902-153
j)		Vermiculite	902-179/P

**Note:** Install Optional Brick Panels prior to installing logs.



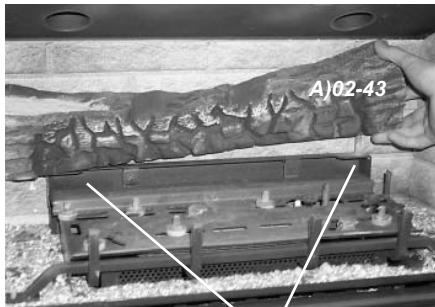
The "02" refer numbers (i.e. 02-43) are molded into the rear of each log.

- Carefully remove the logs from the box and unwrap them. The logs are fragile, handle with care - **do not force into position.**
- Sprinkle the vermiculite around the firebox base. Take some of the embers (approx. 1/3 of the bag) and sprinkle over the vermiculite.



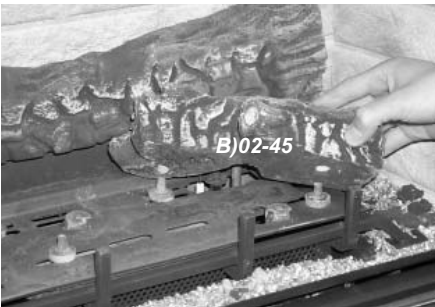
# INSTALLATION

- 3) Place Rear Log A)02-43 on the two pins on the rear log support.

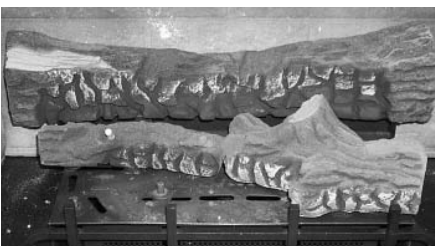


Pins on Rear Log Support

- 4) Place Front Right Log B)02-45 on the two pins as shown.

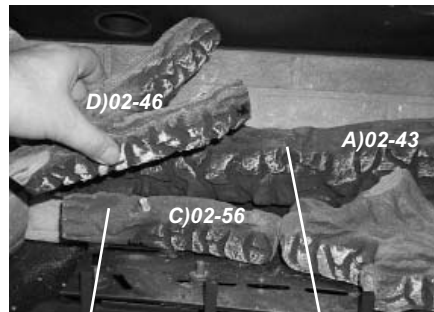


- 5) Place the Middle Left Log C)02-56 on the two pins as shown.



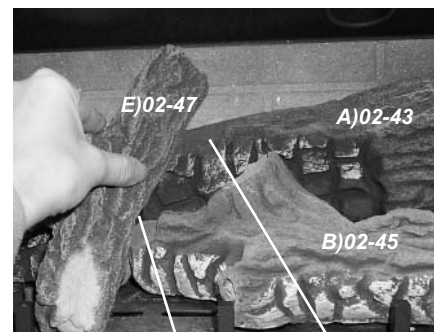
Logs A)02-43, C)02-56, and B)02-45 in position

- 6) Place the Left Top Log D)02-46 on the pin on Log C)02-56 and on top of the cutout on Log A)02-43.



Pin Cutout

- 7) Place the notch in Center Log E)02-47 over Log B)02-45 and across the cutout on Log A)02-43.

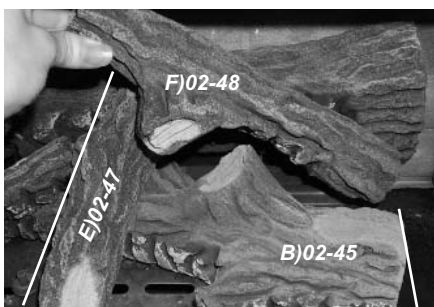


Notch Cutout

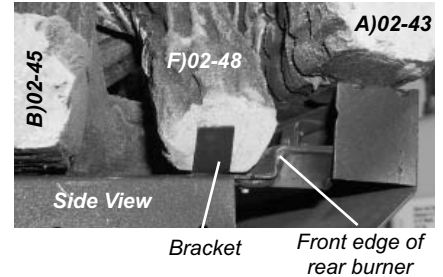


Logs D)02-46 and E)02-47 in position.

- 8) Position notch in Front Right Log F)02-48 on Log E)02-47 and push the bottom right edge against the bracket on the burner tray and the front edge of the rear burner.

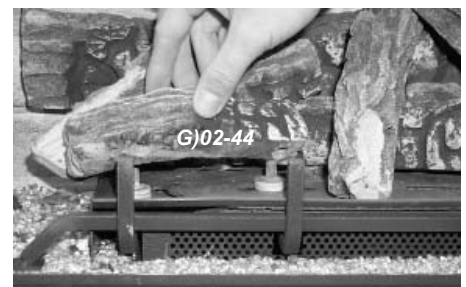


Notch Bracket

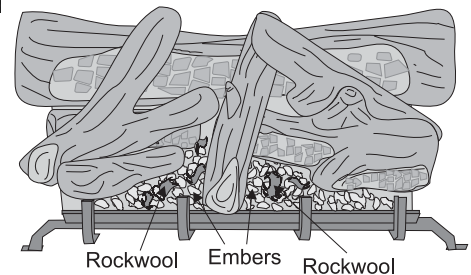


The bottom right edge of Log F)02-48 must sit snugly against the bracket and the front edge of the rear burner.

- 9) Place Front Left Log G)02-44 onto the 2 front pins as shown.

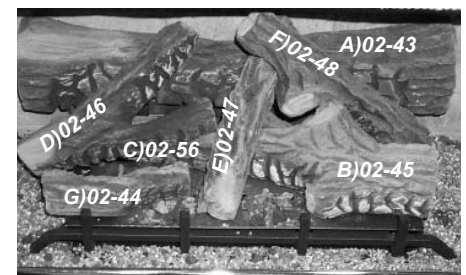


- 10) Place the embers and Rockwool on the exposed front burner tray.



- 11) Test fire to ensure proper light off (make sure flame flows smoothly from one end of burner to the other. If there is any flame hesitation, check that area for any blockage of the burner port.

- 12) Install flush glass and optional bay glass as per instructions in this manual.

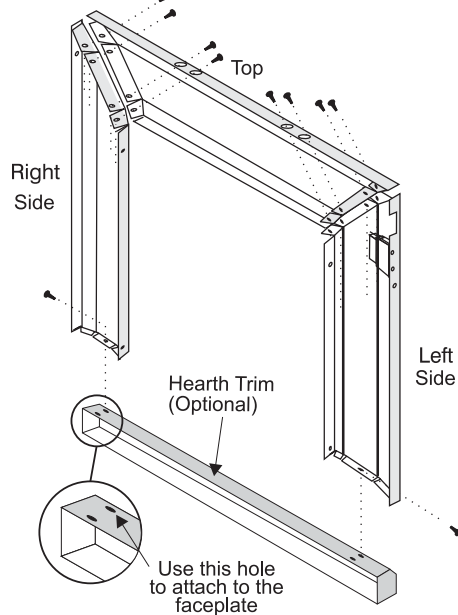


# INSTALLATION

## FACEPLATE & TRIM INSTALLATION

- 1) Lay the faceplate panels flat, face down on something soft so they don't scratch.
- 2) Take the top faceplate and align the holes in it with the holes in the side panels. Using the screws provided, attach from the top of the panel (the holes in the top panel are slightly larger than the holes in the side panel to facilitate easier installation). Diagram 1.

Hint: Don't tighten the screws down completely at this point, continue on with steps 3 and 4 and do a trial fit to the unit. Make any necessary adjustments and when it fits properly then tighten down the screws.

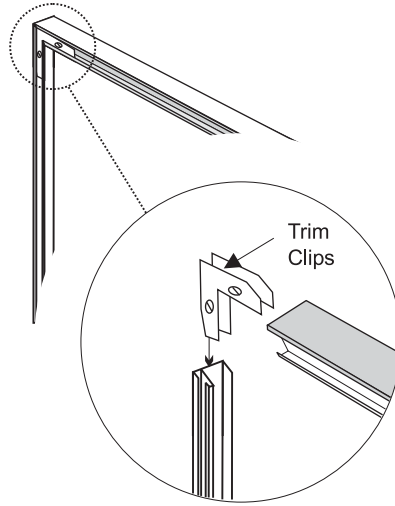


Rear View: Faceplate Assembly  
Diagram 1

pletely at this point, continue on with steps 3 and 4 and do a trial fit to the unit. Make any necessary adjustments and when it fits properly then tighten down the screws.

**Hearth Trim Option:** Hearth Trim is an option that can be used to finish off the installation when the bottom of the fireplace is higher than the hearth or to raise the fireplace. Attach the Hearth Trim to the bottom of the faceplate side panels with the screws provided. See Diagram 1.

- 3) Using the connectors provided, join the left side trim (with the ON/OFF switch) to the top trim. Diagram 2. Connect the right side trim to the top trim.
- 4) Place the trim on the assembled faceplate panels, aligning the wire connections from the switches with the notch on the left side panel.
- 5) Connect the fan switch wires by taking the black and red wires with the male ends (in



Rear View: Trim Assembly  
Diagram 2

the grey harness) and connect them with the wire connectors from the fan speed control.

- 6) Connect the ON/OFF switch wires by taking the black and red wires with the female ends and connect them to the ON/OFF switch.
- 7) Tuck the wires into the faceplate to keep them away from the insert using the clip provided. Attach the clip to the rear of the faceplate to ensure that the wires do not touch the side of the unit. Diagram 3.
- 8) The power cord should be run behind the faceplate panel.

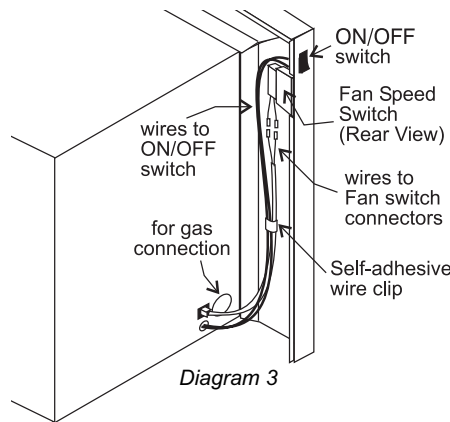


Diagram 3

- 9) Attach the brass trim to the faceplate by drilling a 1/8" hole through into the faceplate using the hole in the trim as a guide. Fasten the trim to the faceplate panels using the plated screws. Diagram 4.

- 10) Attach the faceplate panels to the insert body using the 4 remaining black screws. Diagram 5.

- 11) Push the Regency logo plate into the two holes in the bottom left corner of the faceplate.

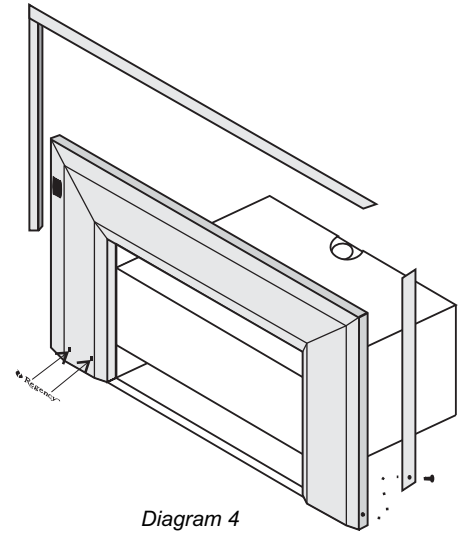


Diagram 4

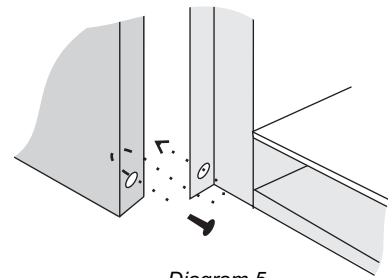
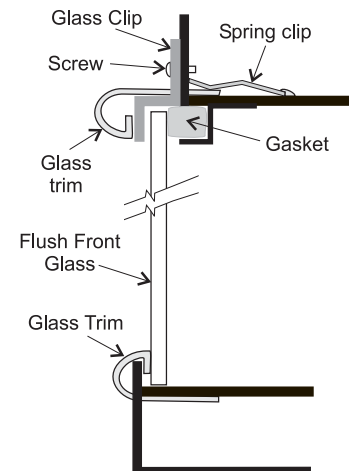


Diagram 5

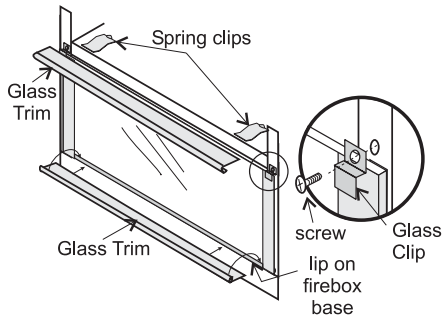
## FLUSH FRONT INSTALLATION

- 1) Install Logs before going on to the next step. See the Log Installation instruction sheet or page 9.
- 2) Install the bottom glass trim by hooking the trim into the lip on the firebox base. The trim will not fit into place if the glass is installed first.



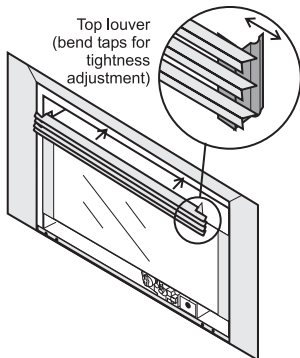
# INSTALLATION

- Place the bottom of the flush glass behind the bottom glass trim.
- Secure the glass with the two glass clips at the top corners of the glass. Secure glass clips with the screws provided. Do not over tighten as this could break the glass.
- Slide in the top glass trim under the spring clips.

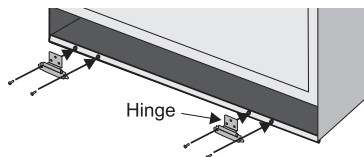


## FLUSH LOUVERS

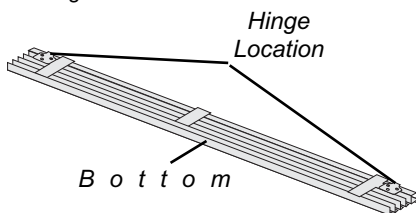
- The Top Louver is held in place by friction fit, if the Louver needs to be adjusted; bend the bracket out as shown in the diagram.



- Install the Spring Hinges on the left and right side of the bottom of the Firebox using 2 screws per hinge.

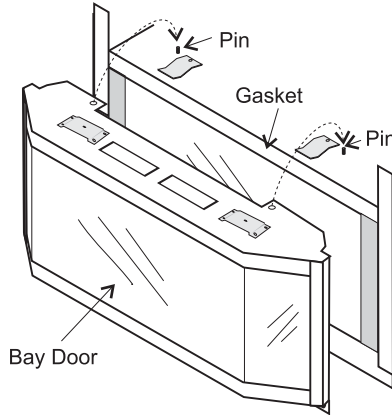


- Place the Bottom Louver near the hinge. Flip hinge over the Bottom Louver and secure using 3 screws.

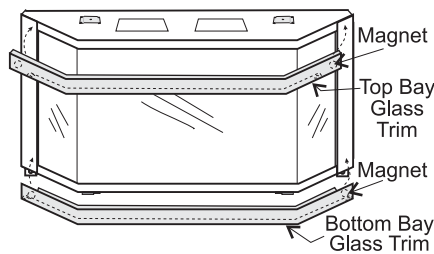


## BAY FRONT INSTALLATION

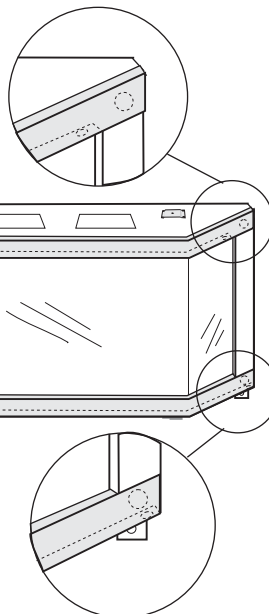
- Place the bay door onto the 2 pins on the top of the unit.



- Position 2 magnets on the back of each trim piece close to the ends. Place the top and bottom trim pieces on the bay front.
- Install top and bottom louvers.

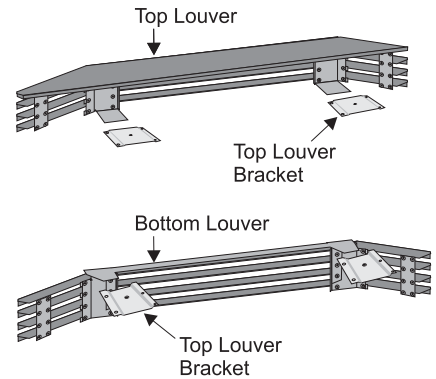


**Note:** The top and bottom trim pieces are different, check diagrams above and below.

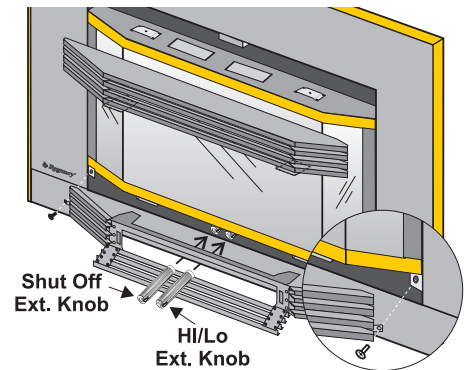


## BAY LOUVERS

- Install top louver by sliding the two bracket clips into the brackets located on top of the bay door. See below. The fitted louver leaves a small gap between faceplate bottom and louver top.

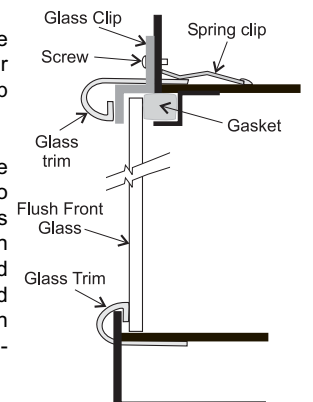


- Install bottom louver by sliding the two bracket clips into the brackets located underneath the bay door and secure with 2 screws into the bracket on the bottom of the Bay Front as per diagram above.
- Slide the valve extension knobs onto the valve knobs. match the correct ext. knob with the valve knob.



## DOUBLE DOOR SCREEN

- Pull out the top louver and the top glass trim.
- Loosen the screws so the glass clips can be turned aside and the flush glass removed.

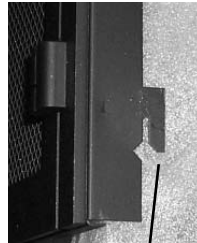


# INSTALLATION

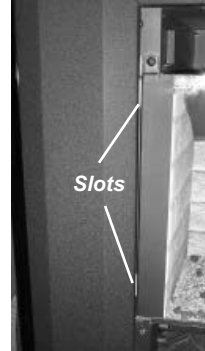
- 3) Open Bottom Louvers.
- 4) Remove the bottom glass trim.  
Discard both top & bottom glass trim.
- 5) Replace the glass and secure with the two glass clips.

**Make sure the glass is centered.**

- 6) Insert side hooks on the double screen door into the 4 slots between the faceplate and the glass and lower assembly into the locking position. Push down firmly with both hands to lock into place.



Side Hook



Slots



Insert Screen Door hooks into the 4 slots between the faceplate and the flush door.



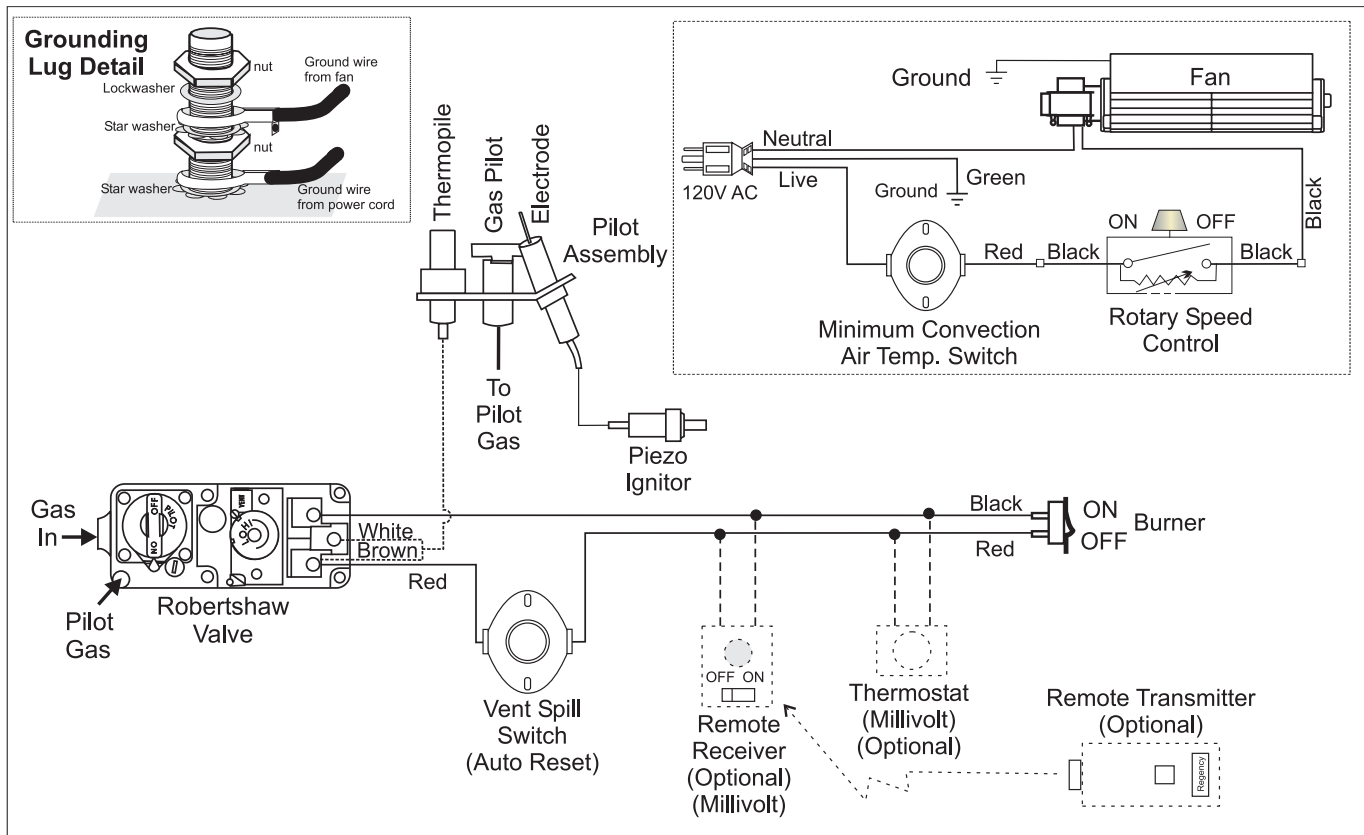
Push Screen Door down firmly to lock into place.

## WIRING DIAGRAM

This heater does not require a 120V A.C. supply for operation. In case of a power failure, the burner switch and the optional remote control/thermostat will continue to operate. However, a 120V A.C. power supply is needed for the fan/blower operation.

**Caution: Ensure that the wires do not touch any hot surfaces and are away from sharp edges.**

**CAUTION: Label all wires prior to disconnection when servicing controls. Wiring errors can cause improper and dangerous operation.**



### WARNING: Electrical Grounding Instructions

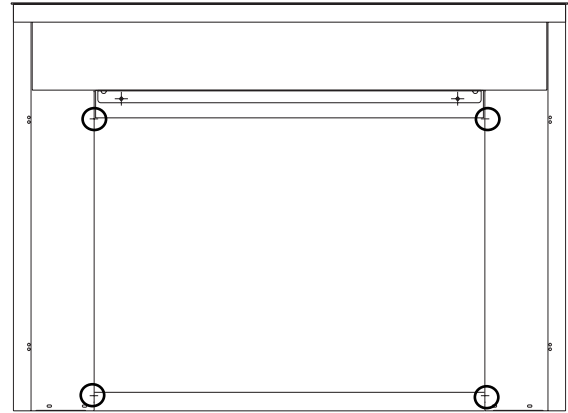
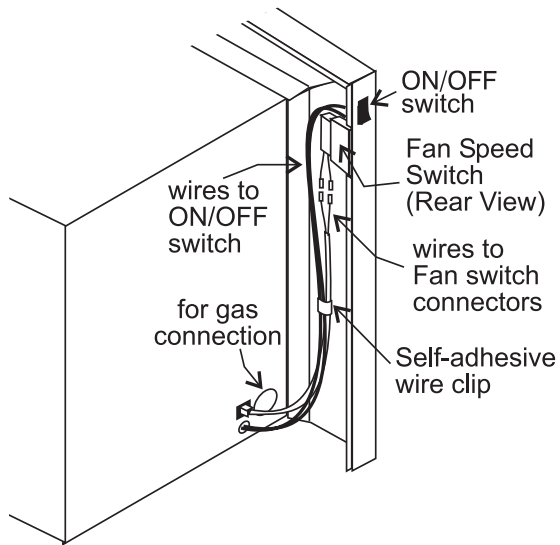
This appliance is equipped with a three pronged (grounding) plug for your protection against shock hazard and should be plugged directly into a properly grounded three-prong receptacle. Do not cut or remove the grounding prong from this plug.

## FULL SCREEN FRONT

- 1) Hold the full screen door up against the unit in order to make the following wire connections.
- 3) Completely secure the full screen door to the unit by securing 4 screws to the Left and Right Side Trims.

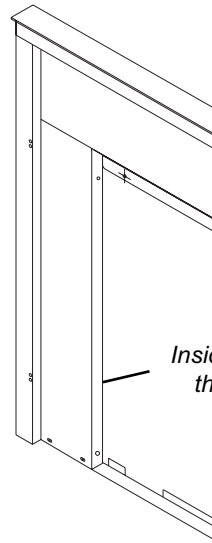
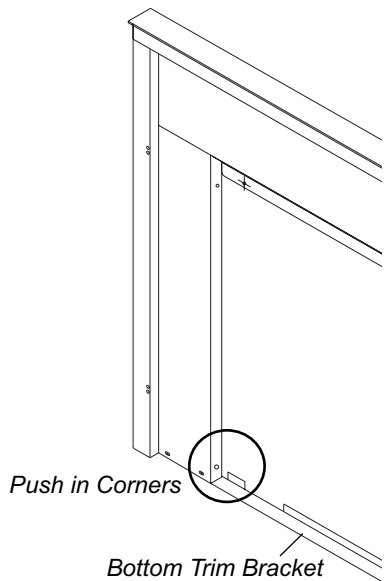
Pull the ON/OFF connector wires from the firebox and connect them to the switch.

Connect the fan switch wires with the wire connectors from the fan speed control. Place clips over wires and tuck into side trim.



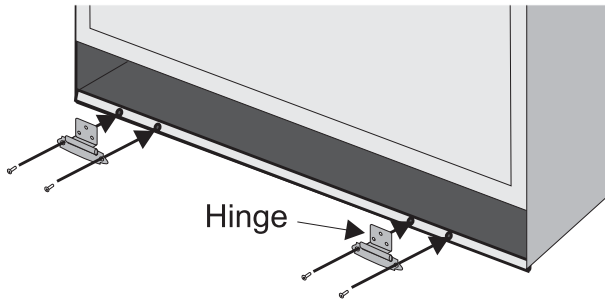
**NOTE:** When mounting the full screen door to the unit, the inside flange of the side trims are to fit over the inner side of the unit flange and NOT next to the outer side of the unit flange.

- 2) Lift unit up slightly and push down on the corners of the Bottom Trim Bracket and slide under unit. Unit should touch tabs on Bottom Trim Bracket.

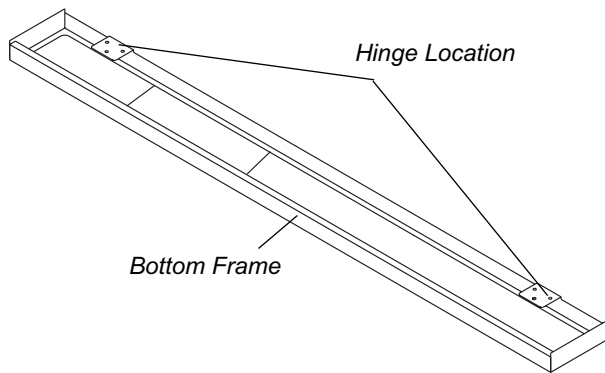


# INSTALLATION

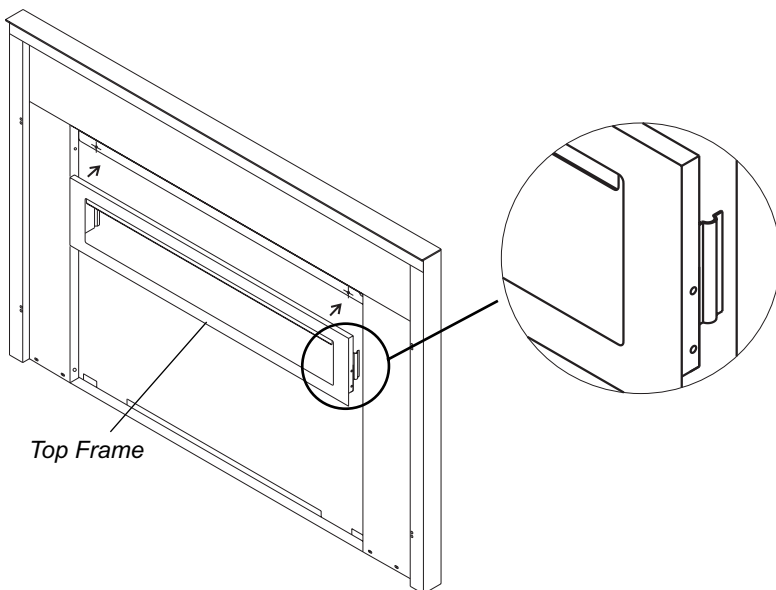
- 4) Install Spring Hinges on the Left and Right Side of the bottom of the firebox using 2 screws per hinge.



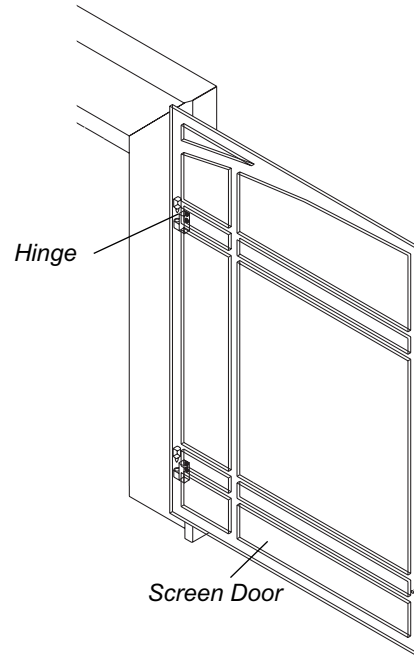
- 5) Place Bottom Frame near hinge. Flip hinge over Bottom Frame and secure with 3 screws.



- 6) The Top Frame is held in place by friction fit, if the frame needs to be adjusted; bend the bracket accordingly.



- 7) Install the Left and Right Side Screen Doors in the fully open position by placing over top of the hinges on the full screen door.



- 8) Close screen doors.

**NOTE:** If you find that the doors do not align properly, adjust the hinges on the door(s) by loosening them and adjust accordingly.

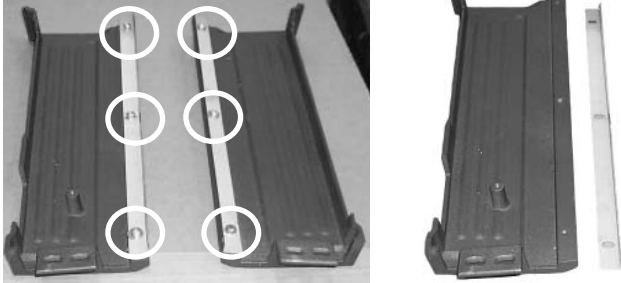


## HAMPTON CAST FACEPLATE INSTALLATION

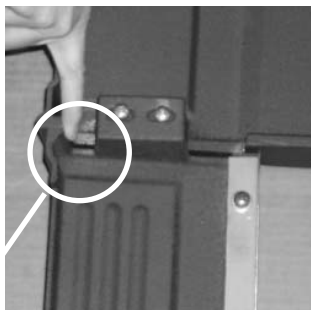
**NOTE:** Do not install Cast Faceplate when unit is installed into a Zero Clearance Unit.

- 1) Lay the faceplate panels flat, face down on something soft so they don't scratch.
- 2) Attach the side filler brackets to the left and right sides using 3 screws and washer per side.

**NOTE:** There are filler brackets specifically for each side. The way to differentiate this is that on the side of the brackets there are 2 mounting holes. The side where there is a 7/16" gap from the top of the bracket to the mounting hole, must face the top.

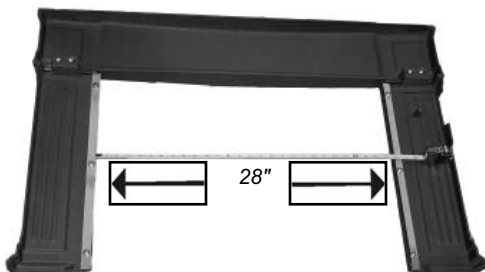


- 3) Attach the right and left cast sides to the top using 2 screws per side.

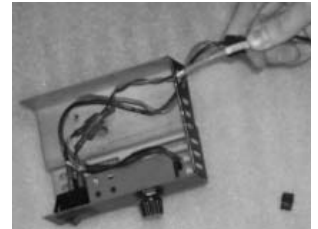
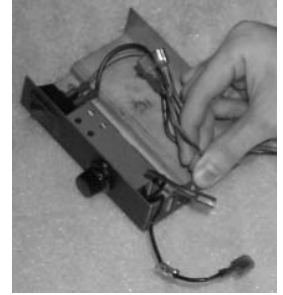


Ensure that the top and sides are aligned.

- 4) Use a measuring tape to ensure that the distance between the left and right side pieces is 28" (711mm).

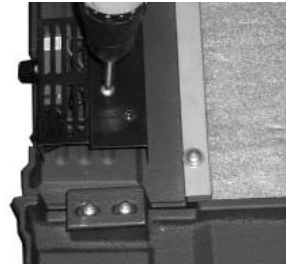
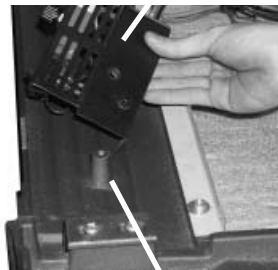


- 5) Connect the ON/OFF switch wires by taking the black and red wires with the blue female ends thru the hole provided and connecting them to the ON/OFF switch.
- 6) Connect the fan switch wires by taking the black and red wires with the male ends (in the grey harness) thru the hole provided and connect them with the wire connectors from the fan speed control.
- 7) Insert wires into the strain relief and install into switch box assembly.
- 8) Place the switch box assembly over the boss on the rear left side piece and secure with one screw.



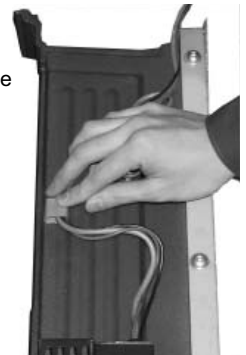
- 9) Tuck the wires into the faceplate to keep them away from the insert using the clip provided. Attach the clip to the rear of the faceplate to ensure that the wires do not touch the side of the unit.

Switch Box Assembly



Boss on rear left side piece.

- 10) The power cord should be run behind the faceplate panel.



# INSTALLATION

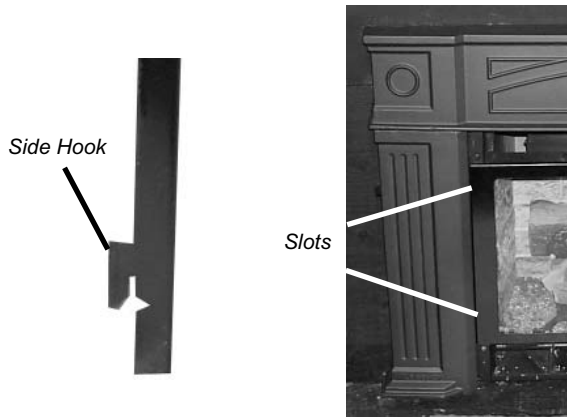
- 11) Mount the cast faceplate panels onto the insert body, sliding the side filler brackets into the space between the glass and the firebox. Secure using the 4 remaining black screws, 2 per side.



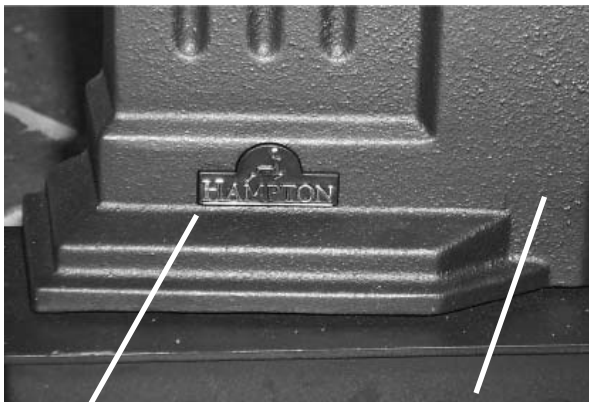
Slide side filler bracket into gap between glass and fire box.



- 12) Install the glass trim by inserting the side hooks on the glass trim into the 4 slots between the faceplate and the glass. Push the glass trim down firmly with both hands to lock into place.



- 13) To put on the Hampton logo, peel the sticker from the back of the logo and place it centered on the bottom left hand corner of the faceplate.



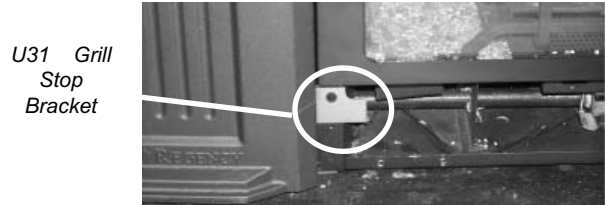
Hampton Logo

Left Hand Side Faceplate

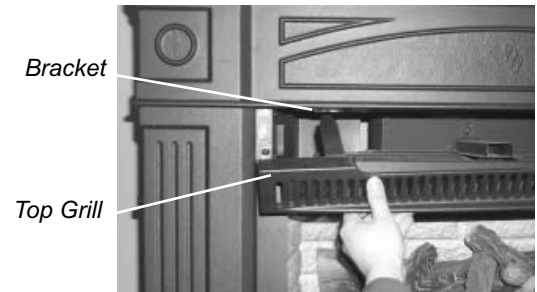
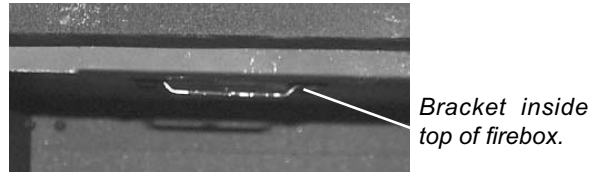
## HAMPTON CAST FACEPLATE GRILL INSTALLATION

Before the grills are installed, a grill stop bracket needs to be put in place.

- 1) The U31 grill stop bracket is installed in the bottom left corner just under the firebox with the screw supplied as shown below.

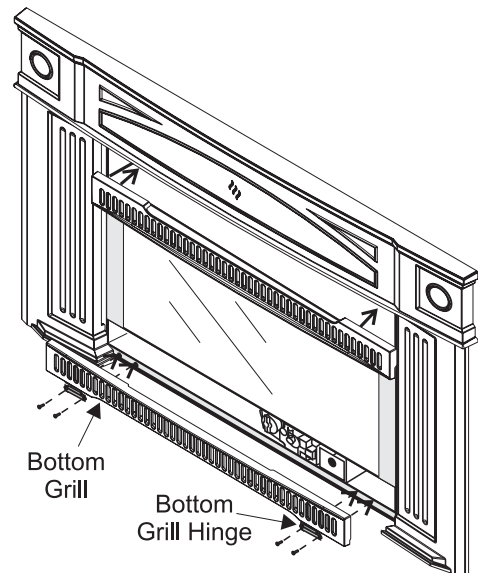


- 2) Place top grill into brackets located inside top of firebox as shown.



**Note: The top louver should be placed with the curved cut-out facing up.**

- 3) The bottom louver, shown in the diagram below, has 2 hinges that are attached to the lip on bottom of the unit. Secure using 2 screws per hinge.

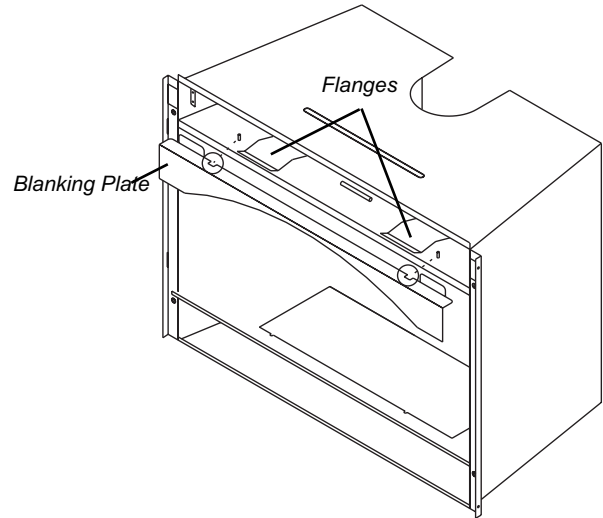
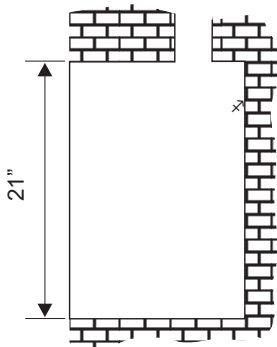
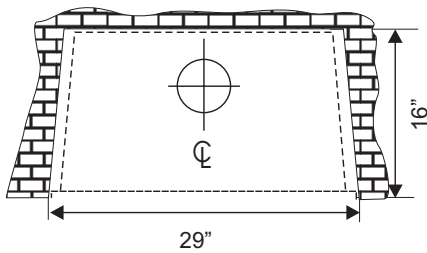


## EXCALIBUR SURROUND INSTALLATION

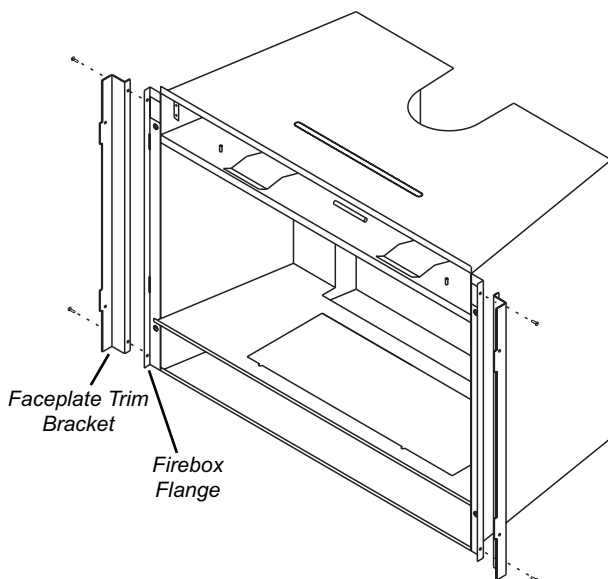
### IMPORTANT NOTE:

When using the Surround, the unit must be set 1" further into the fireplace than the standard faceplate installation. See the diagrams below for the correct minimum fireplace opening requirements.

- Align the cut-outs in the Blanking Plate with the pins located on the inside top of the firebox. Slide the Blanking Plate into position ensuring it goes under the 2 flanges.



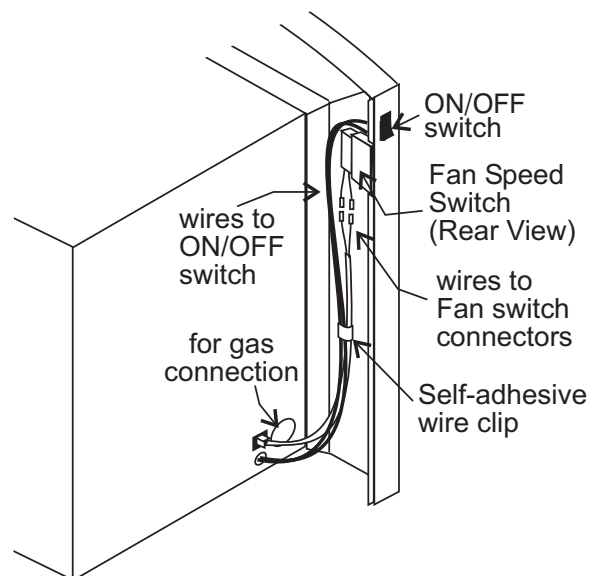
- Align the left side Faceplate Trim Bracket with the Firebox Flange and secure using 2 screws as shown in diagram 1. Repeat for right side.



- Hold the Faceplate Trim up against the unit in order to make the following wire connections.

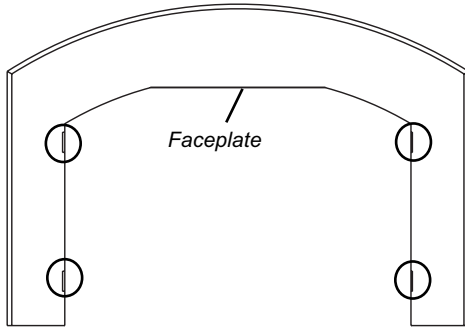
Pull the ON/OFF connector wires from the firebox and connect them to the switch.

Connect the fan switch wires with the wire connectors from the fan speed control. Place clips over wires and tuck into side trim.

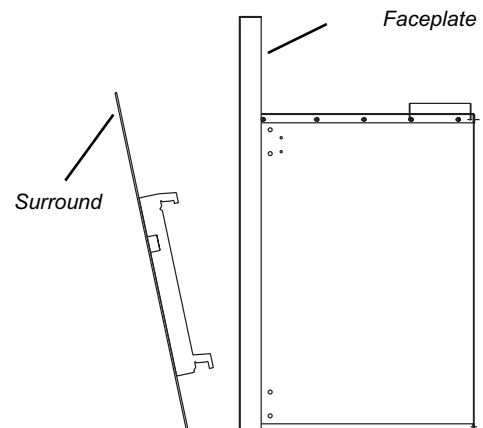
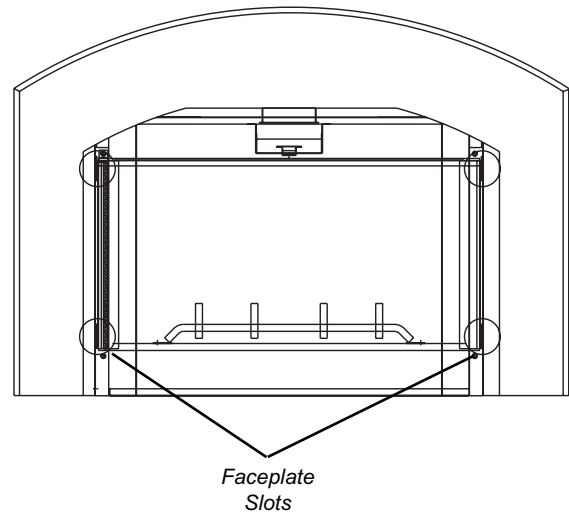
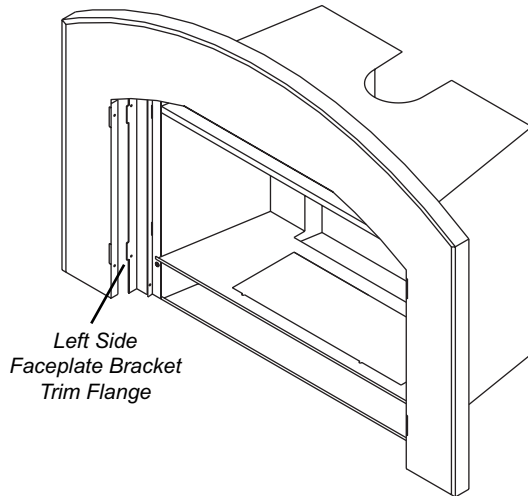
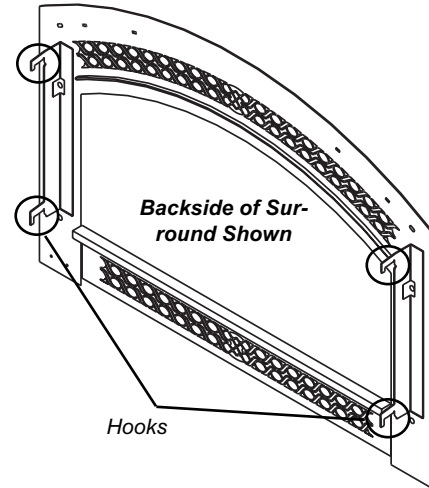


# INSTALLATION

- 4) Secure the Faceplate by sliding the slots in the Faceplate into the flanges on the left and right side Faceplate Trim Brackets. Once the Faceplate is in place secure using 2 screws per side.



- 5) Place the bottom hooks of the Surround into the bottom slots of the Faceplate. Slightly pull up the Surround and push the top hooks into the top slots of the Faceplate. Push down to secure. Tug on the Surround to ensure it is securely locked in place.



# OPERATING INSTRUCTIONS

## OPTIONAL WALL THERMOSTAT

A wall thermostat may be installed if desired. Connect the wires as per the wiring diagrams. Note that the wires are connected to the "TH" on the gas valve. Use table on page 14 to determine the maximum wire length:

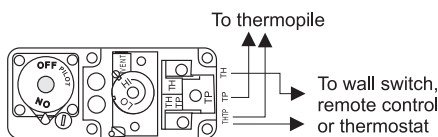
**Note: Preferable if the thermostat is installed on an interior wall.**

FPI offers an optional programmable thermostat but any 250-750 millivolt rated non-anticipator type thermostat that is CSA, ULC or UL approved may be used.

**CAUTION**  
Do not connect the millivolt wall thermostat wires to the 120V wires.

### Thermostat Wire Table

Recommended Maximum Lead Length (Two-Wire) When Using Wall Thermostat (CP-2 System)	
Wire Size	Max. Length
14 GA.	50 Ft.
16 GA.	32 Ft.
18 GA.	20 Ft.
20 GA.	12 Ft.
22 GA.	9 Ft.



## OPTIONAL REMOTE CONTROL

Use the FPI Remote Control Kit approved for this unit. Use of other systems may void your warranty.

The remote control kit comes with a hand held transmitter, a receiver and a wall mounting plate.

- 1) Choose a convenient location on the wall to install the receiver and the receptacle box (protection from extreme heat is very important). Run wires from the fireplace to that location, use Thermostat Wire Table.
- 2) Connect the wires as per the wiring diagram above.

**CAUTION**  
Do not connect the millivolt remote control wires to the 120V wires.

- 3) Install 3 AAA alkaline batteries in transmitter and 4 AA alkaline batteries in the receiver. Install the receiver and its cover in the wall. Switch the remote receiver to "remote" mode. The remote control is now ready for operation.

## FINAL CHECK

Before leaving this unit with the customer, the installer must ensure that the appliance is firing correctly. This includes:

- 1) Clocking the appliance to ensure the correct firing rate (rate noted on label) at 15 minutes.
- 2) If required, adjusting the primary air to ensure that the flame does not carbon. First allow the unit to burn for 15 min. to stabilize.

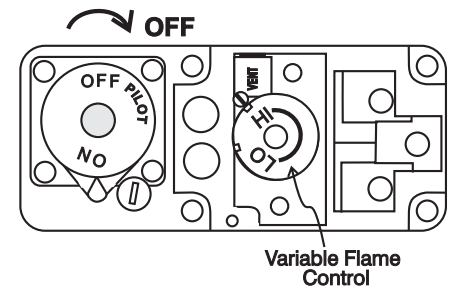
**CAUTION**  
Any alteration to the product that causes sooting or carboning that results in damage to the exterior facia is not the responsibility

## OPERATING INSTRUCTIONS

Before operating this appliance, proceed through the following check list.

- 1) Read and understand these Instructions before operating this appliance.
- 2) Check to see that all wiring is correct and enclosed to prevent possible shock.
- 3) Check to ensure there are no gas leaks.
- 4) Make sure the glass door is in place. Never operate the appliance with the door glass removed.
- 5) Verify that all venting and the cap is unobstructed.
- 6) Verify log placement. If the pilot cannot be seen when lighting the unit - the logs or the embers have been incorrectly positioned.
- 7) The unit should never be turned off and on again without a minimum of a 60 second wait.
- 8) When lighting the appliance, the inside of the glass may fog up. This will burn off after a few minutes of operation.

**DO NOT BURN THE APPLIANCE WITH THE GLASS ASSEMBLY REMOVED.**



## LIGHTING PROCEDURE

**IMPORTANT: Gas cock knob cannot be turned from "PILOT" to "OFF" unless it is partially depressed.**

- 1) Open the bottom louver assembly
- 2) If the control knob is in the "OFF" position proceed to Step 5.
- 3) Push in gas control knob slightly and turn clockwise to "OFF". Knob cannot be turned from "PILOT" to "OFF" unless knob is pushed in slightly. Do not force.
- 4) Wait five minutes to allow gas, that may have accumulated in the main burner compartment, to escape. If you do smell gas, follow the instructions on the front of this manual. If you don't smell gas continue on to the next step.
- 5) Turn the gas control counter clockwise to "PILOT".
- 6) Push in control knob all the way and hold in. Continually push and release the black button on spark igniter until pilot lights. Continue to hold the control knob in for approximately one minute, then release the gas control knob. The pilot flame should continue to burn. If the pilot does not remain lit, repeat operation allowing a longer period before releasing gas control knob.
- 7) Turn gas control knob counter clockwise to "ON".
- 8) Use the rocker switch to operate main burner.
- 9) Rotate the variable flame control to adjust the flame height higher or lower.
- 10) Close the bottom louver assembly.

# OPERATING INSTRUCTIONS

## SHUTDOWN PROCEDURE

- 1) Use the rocker switch to turn off the main burner.
- 2) Open the bottom louver assembly.
- 3) Push in the gas control knob slightly and turn clockwise to "OFF". Do not force.
- 4) Disconnect all electric power and gas to the appliance if service is to be performed.

## FIRST FIRE

The first fire in your stove is part of the paint curing process. To ensure that the paint is properly cured, it is recommended that you burn your fireplace for at least four (4) hours the first time you use it with the fan on. When first operated, the unit will release an odour caused by the curing of the paint, the burning off of any oils remaining from manufacturing. Smoke detectors in the house may go off at this time. Open a few windows to ventilate the room for a couple of hours.

The glass panel may require cleaning after the unit has cooled down.

**DO NOT ATTEMPT TO CLEAN THE GLASS WHILE IT IS HOT.**

**Note:** When the glass is cold and the appliance is lit, it may cause condensation and fog the glass. This condensation is normal and will disappear in a few minutes as the glass heats up.

**DO NOT BURN THE APPLIANCE WITHOUT THE GLASS FRONT IN PLACE.**

## AUTOMATIC CONVECTION FAN OPERATION

The fan operates automatically, turn the knob on the side of the faceplate to adjust to the desired speed. The fan will turn on as the stove comes up to operating temperature. After the unit has been turned off and the unit cooled to below a useful heat output range the fan will shut off automatically.

## COPY OF LIGHTING INSTRUCTION PLATE

**FOR YOUR SAFETY READ BEFORE LIGHTING**

This appliance must be installed in accordance with local codes, if any; if none, follow the National Fuel Gas Code, ANSI Z223.1/NFPA 54, or Natural Gas and Propane Installations Codes, CSA B149.1. (Australia: AG 601/ New Zealand: NZS 5261)

**WARNING:** If you do not follow these instructions exactly, a fire or explosion may result causing property damage, personal injury or loss of life. Improper installation, adjustment, alteration, service or maintenance can cause injury or property damage. Refer to the owner's information manual provided with this appliance. For assistance or additional information consult a qualified installer, service agency or gas supplier.

A) This appliance has a pilot which must be lighted by hand, following the instructions below exactly.

B) **BEFORE LIGHTING** smell all around the appliance area for gas. Be sure to smell next to the floor because some gas is heavier than air and will settle on the floor.

**WHAT TO DO IF YOU SMELL GAS:**  
Do not try to light any appliance.  
Do not touch any electric switch, do not use any phone in your building.  
Immediately call your gas supplier from a neighbors phone. Follow the gas supplier's instructions.  
If you cannot reach your gas supplier, call the fire department.

C) Use only your hand to push in or turn the gas control knob. Never use tools. If the knob will not push in or turn by hand, do not try to repair it, call

a qualified service technician. Force or attempted repair may result in a fire or explosion.

D) Do not use this appliance if any part has been under water. Immediately call a qualified service technician to inspect the appliance and to replace any part of the control system and any gas control which has been under water.

This appliance needs fresh air for safe operation and must be installed so there are provisions for adequate combustion and ventilation air.

**CAUTION:** Hot while in operation. Do not touch. Severe Burns may result. Due to high surface temperatures keep children, clothing and furniture, gasoline and other liquids having flammable vapors away. Keep burner and control compartment clean. See installation and operating instructions accompanying appliance.

**LIGHTING INSTRUCTIONS**

**STOP!** Read the safety information above on this label.

- 1) Push in gas control knob slightly and turn clockwise to "OFF". Knob cannot be turned from "PILOT" to "OFF" unless knob is pushed in slightly. Do not force.
- 2) Wait five (5) minutes to clear out any gas. If you then smell gas **STOP!** follow "B" in the safety information above on this label. If you do not smell gas, go to the next step.
- 3) Turn knob on gas control counterclockwise to "PILOT" .
- 4) Push in control knob all the way and hold in. Immediately push black button on spark igniter until pilot lights. Continue to hold the control knob in for about 1/2 minute after the pilot is lit.
- 5) Turn gas control knob counterclockwise to "ON".
- 6) Use rocker switch to operate main burner.

The diagram shows a side view of the gas control knob with a black button on top. To the right is a separate view of the burner assembly with a spark igniter. A rocker switch is shown below the burner assembly, with 'ON' and 'OFF' positions and a curved arrow indicating its movement.

**TO TURN OFF GAS APPLIANCE**

- 1) Push in the gas control knob slightly and turn clockwise to "OFF". Do not force.
- 2) Turn off all electric power to the appliance if service is to be performed.

You may shut off the pilot during prolonged non use periods to conserve fuel.

**DO NOT REMOVE THIS INSTRUCTION PLATE**

908 401b

## NORMAL OPERATING SOUNDS OF GAS APPLIANCES

It is possible that you will hear some sounds from your gas appliance. This is perfectly normal due to the fact that there are various gauges and types of steel used within your appliance. Listed below are some examples. All are **normal operating sounds** and should not be considered as defects in your appliance.

### Blower:

FPI gas appliances use high tech blowers to push heated air farther into the room. It is not unusual for the fan to make a "whirring" sound

when ON. This sound will increase or decrease in volume depending on the speed setting of your fan speed control.

### Burner Tray:

The burner tray is positioned directly under the burner tube(s) and logs and is made of a different gauge material from the rest of the firebox and body. Therefore, the varying thicknesses of steel will expand and contract at slightly different rates which can cause "ticking" and "cracking" sounds. You should also be aware that as there

are temperature changes within the unit these sounds will likely re-occur. Again, this is normal for steel fireboxes.

### Blower Thermodisc:

When this thermally activated switch turns ON it will create a small "clicking" sound. This is the switch contacts closing and is normal.

### Pilot Flame:

While the pilot flame is on it can make a very slight "whisper" sound.

### Gas Control Valve:

As the gas control valve turns ON and OFF, a dull clicking sound may be audible, this is normal operation of a gas regulator or valve.

### Unit Body/Firebox:

Different types and thicknesses of steel will expand and contract at different rates resulting in some "cracking" and "ticking" sounds will be heard throughout the cycling process.

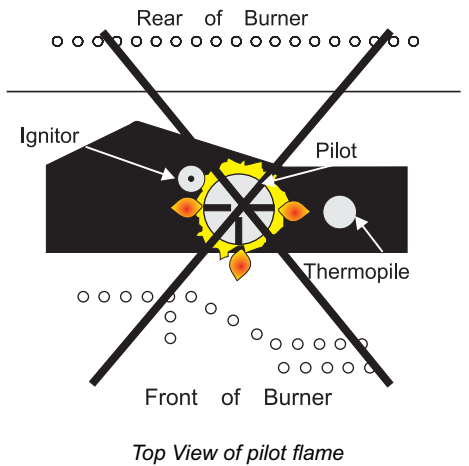
- 5) Keep the area near the appliance clear and free from combustible materials, gasoline and other flammable vapours and liquids.

**WARNING: CHILDREN AND ADULTS SHOULD BE ALERTED TO THE HAZARDS OF HIGH SURFACE TEMPERATURE AND SHOULD STAY AWAY TO AVOID BURNS OR CLOTHING IGNITION. YOUNG CHILDREN SHOULD BE CAREFULLY SUPERVISED WHEN THEY ARE IN THE SAME ROOM AS THE APPLIANCE.**

**CAUTION: ANY SAFETY SCREEN OR GUARD REMOVED FOR SERVICING AN APPLIANCE MUST BE REPLACED PRIOR TO OPERATING THE APPLIANCE.**

**CLOTHING OR OTHER FLAMMABLE MATERIAL SHOULD NOT BE PLACED ON OR NEAR THE APPLIANCE.**

**Incorrect flame pattern will have small, probably yellow flames, not coming into proper contact with the rear burner or thermopile.**



If you have an incorrect flame pattern, contact your FPI dealer for further instructions.

## MAINTENANCE INSTRUCTIONS

- 1) Always turn the gas valve to off before cleaning. For relighting, refer to lighting instructions. Keep the burner and control compartment clean by brushing and vacuuming at least once a year. When cleaning the logs, use a clean soft paint brush as the logs are fragile and easily damaged.
- 2) Clean (never when unit is hot) appliance, door and louvers with a damp cloth. Never use an abrasive cleaner. The gold louvers (and optional gold door) may be scratched if abrasives are used to clean them. The heater is finished in a heat resistant paint and should only be refinished with heat resistant paint (not with wall paint). FPI uses StoveBrite Paint - Metallic Black #6309.
- 3) Make a periodic check of burner for proper position and condition. Visually check the flame of the burner periodically, making sure the flames are steady; not lifting or floating. If there is a problem, call a qualified service person.
- 4) The appliance and venting system must be inspected before use, and at least annually, by a qualified field service person, to ensure that the flow of combustion and ventilation air is not obstructed.

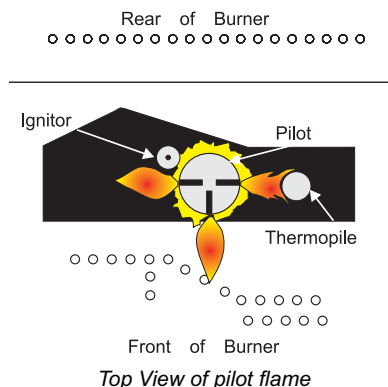
During the annual service call, the burners should be removed from the burner tray and cleaned. Replace the embers but do not block the pilot.

- 6) Each time the appliance is lit, it may cause condensation and fog the glass. This condensation and fog is normal and will disappear in a few minutes as the glass heats up.

**Never operate the appliance without the glass properly secured in place, with broken glass or with the door open.**

- 7) Verify proper operation after servicing.
- 8) Periodically check the pilot flames, there should be three strong blue flames approx. 3/4" long - 1 flame to the front burner, and 1 to the thermopile and one to the left. See diagrams below.

**Correct flame pattern has two strong blue flames: 1 flowing around the thermopile and 1 reaching towards the rear burner (it does not have to be touching the burner).**



## GOLD-PLATED TRIM

The 24 carat gold plated finish on the trim requires little maintenance, and need only be cleaned with a damp cloth. **DO NOT** use abrasive materials or chemical cleaners, as they may harm the finish and void the warranty.

**Clean any fingerprints off before turning the unit on. If the top louvers start to discolour, check the door gasket seal and replace if necessary.**

## LOG REPLACEMENT

The unit should never be used with broken logs. Turn off the gas valve and allow the unit to cool before opening door to carefully remove the logs. The pilot light generates enough heat to burn someone. If for any reason a log should need replacement, you must use the proper replacement log. The position of these logs must be as shown in the diagram under Log Installation.

**NOTE: Improper positioning of logs may create carbon build-up and will alter the unit's performance which is not covered under warranty.**

## GLASS GASKET

If the glass gasket requires replacement use 7/8" flat glass gasket (Part # 936-243) for the Bay Front and for the Flush Front.

# MAINTENANCE

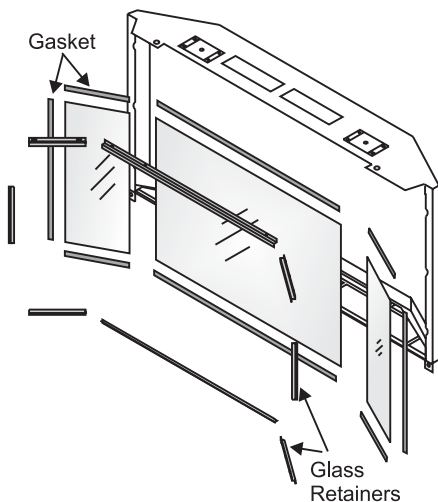
## DOOR GLASS REPLACEMENT

Your FPI insert is supplied with high temperature, 5 mm Neoceram ceramic glass that will withstand the highest heat that your unit will produce. In the event that you break your glass by impact, purchase your replacement from an authorized FPI dealer only, and follow our step-by-step instructions for replacement.

**WARNING: do not operate appliance with the glass front removed, cracked or broken. Replacement of the glass should be done by a licensed or qualified service person.**

### Bay Glass Removal

- 1) Remove the door from the unit and place on a soft surface to prevent scratching.
- 2) Remove the nuts holding the glass retainers in place.
- 3) Remove the glass retainers (sides, top and bottom).
- 4) Replace the glass. **The glass must have gasketing around it.**
- 5) Reverse the previous steps, replace the retainers and fasten with the nuts but do not over tighten, as this can break the glass.
- 6) Replace door on the stove and check the seal.



### Flush Glass Replacement

Slide old glass out of the side frames and replace with new glass.

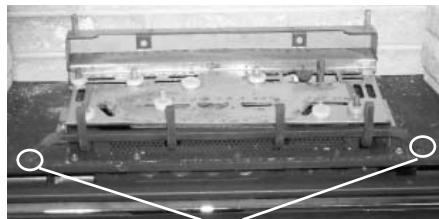
## FAN MAINTENANCE

If your fan requires maintenance or replacement, access to the fan is through the plate on the rear wall of the firebox. **NOTE: the unit MUST NOT be operated without the fan access panel securely in place.**

**CAUTION: Label all wires prior to disconnection when servicing controls. Wiring error can cause improper and dangerous operation.**

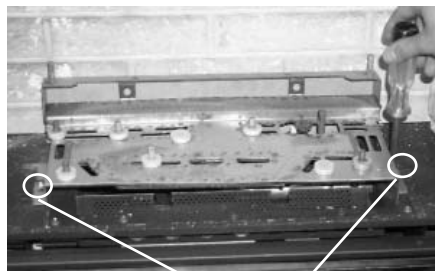
### To remove fan:

- 1) Turn the unit off and allow it to cool to room temperature.
- 2) Unplug or disconnect power source to stove.
- 3) Remove glass front (see page 11).
- 4) Remove logs.
- 5) Remove brick panels.
- 6) Remove the Grate by removing the screws on each side of the grate.



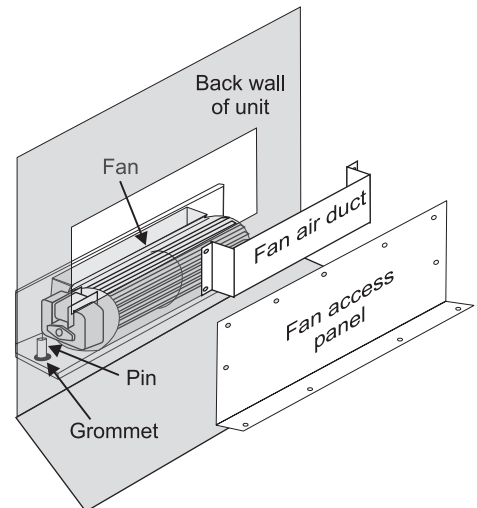
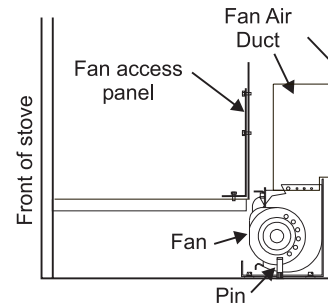
Remove the 2 screws holding the grate in position.

- 7) Remove the Burner Tray by removing the screws on each side of the tray. Push the tray to the left and lift up.



Remove the 2 screws, push Burner Tray to the left, and lift off.

- 8) Remove the 11 screws holding the Access Panel in place.
- 9) Remove the Fan Air Duct by removing 4 screws, 2 per side.

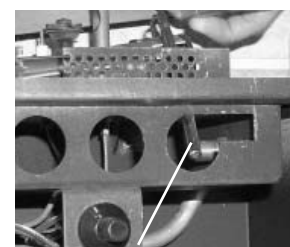


- 10) Unplug the black wires from the fan motor (from inside the stove).
- 11) Lift Fan Assembly off of the 2 pins, tip forward and pull through firebox opening.
- 12) Disconnect green wire from power cord.

### Replacing fan:

Reverse above steps. Hint for pushing fan down onto pins - rub a bit of dish soap on the grommet so it will slide more easily onto the pin. Check to make sure the fan is seated properly on the pins, this is very important- try to move the fan back and forth, there should be no noise, if there is check that the grommets haven't come loose.

When replacing the Burner Tray, slide the aeration adjustment rod through the opening in the front of the Valve Assembly.



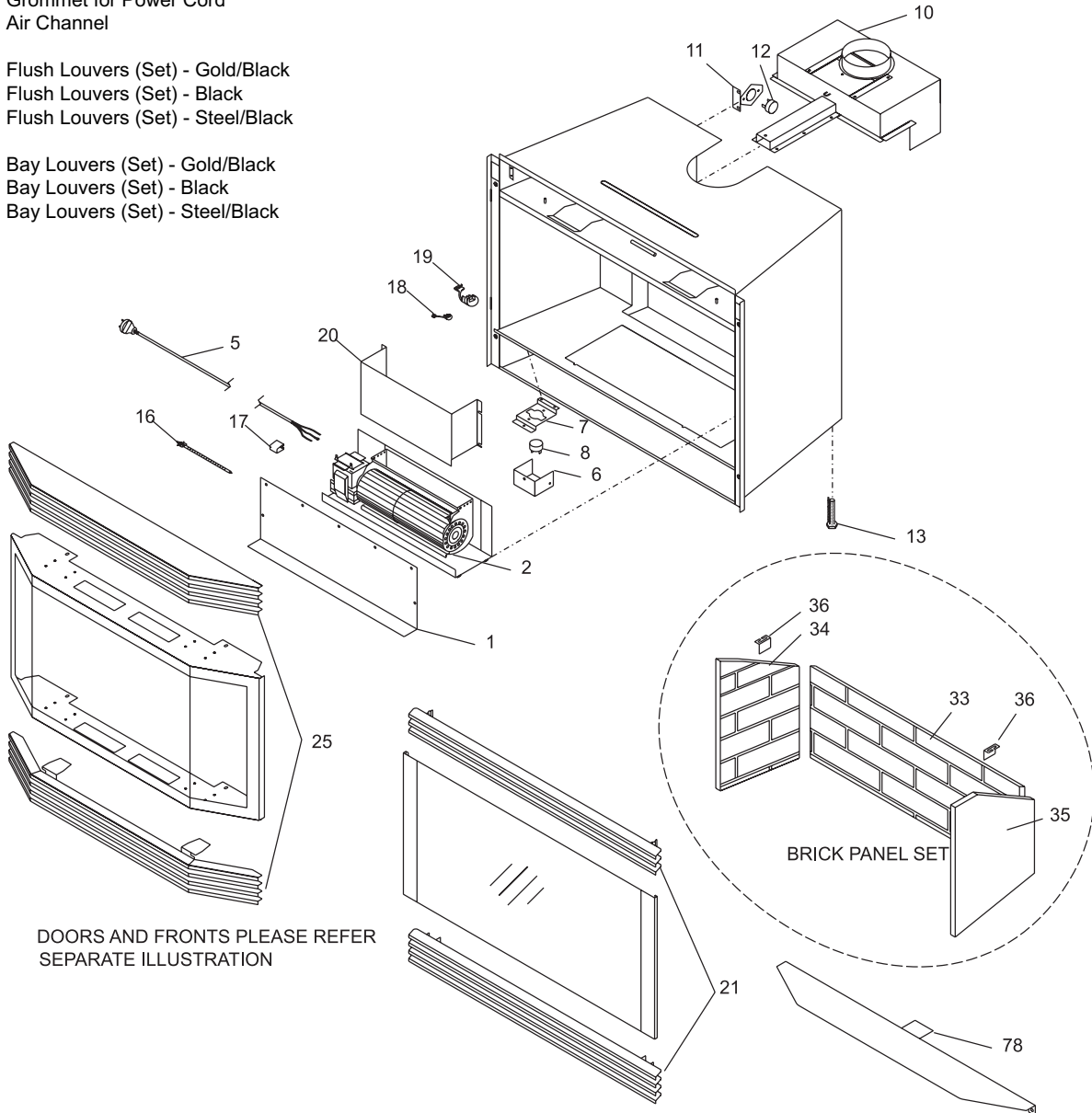
Aeration Adjustment Rod



## Main Assembly

Part #	Description	Part #	Description
1) 400-011	Fan Opening Cover	400-945	Brick Panel Set - Standard
400-515/P	Fan Assembly (120 V)	402-901	Brick Panel Set - Standard Brown
2) 910-331/P	Fan Motor (120 V)	402-902	Brick Panel Set - Standard Red
5) 910-750	Power Cord (120 V)	402-903	Brick Panel Set - Herringbone Brown
910-752	Wire Harness (intermediate)	402-904	Brick Panel Set - Herringbone Red
6) *	Thermodisc cover	33) *	Brick Panel - Back
7) *	Thermodisc bracket	34) *	Brick Panel - Left Side
8) 910-142	Thermodisc-Fan Auto ON/OFF	35) *	Brick Panel - Right Side
10) 400-540	Drafthood Assembly	36) 400-090	Brick Clips
11) *	Spill Switch Bracket	78) 410-920	Zero Clearance Ashlip
12) 910-220	Spill Switch	410-905	Zero Clearance Kit
13) *	Levelling Bolts 5/16 x 3 Hex Head	402-969	Conversion to LP Kit
16) *	Cable Tie	908-785	Manual
17) *	Wire Holder Clip		
18) *	Strain Relief		
19) *	Grommet for Power Cord		
20) 400-024	Air Channel		
21) 402-922	Flush Louvers (Set) - Gold/Black		
402-920	Flush Louvers (Set) - Black		
402-924	Flush Louvers (Set) - Steel/Black		
25) 400-992	Bay Louvers (Set) - Gold/Black		
400-990	Bay Louvers (Set) - Black		
400-993	Bay Louvers (Set) - Steel/Black		

\*Not available as a replacement part.

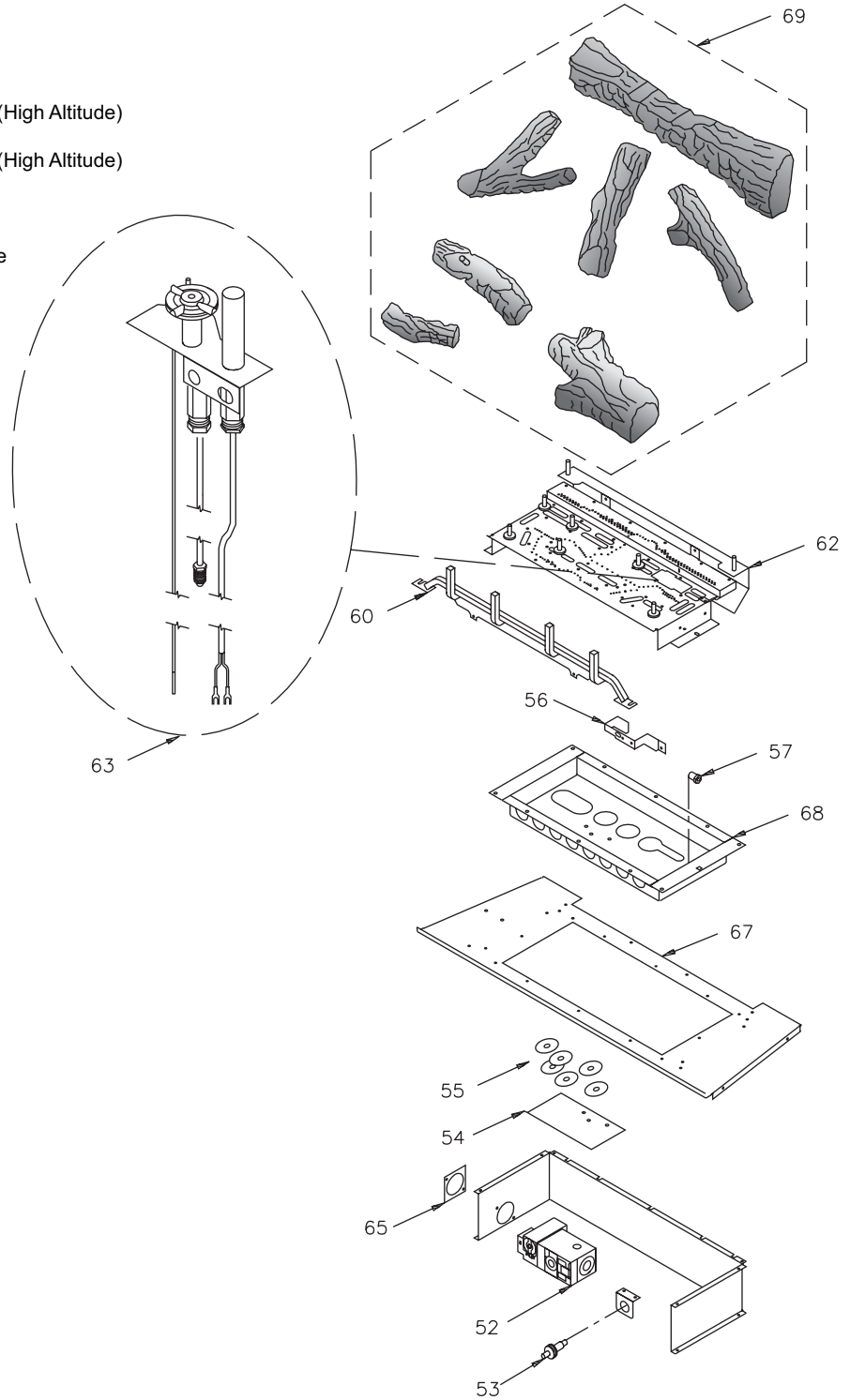


# PARTS LIST

## Burner Assembly & Log Set

Part #	Description
402-560/P	Valve Assembly - NG
402-562/P	Valve Assembly - LP
52) 910-028	Robertshaw Valve -Nat. Gas
910-029	Robertshaw Valve - LP
53) 910-190	Piezo Ignitor and nut
54) *	Valve Heat Shield
55) 904-702	Fibre Washer
56) *	Pilot Bracket
57) 904-240	Burner Orifice Nat. Gas #37
904-593	Burner Orifice Nat. Gas #40 (High Altitude)
904-390	Burner Orifice LP # 52
904-345	Burner Orifice Nat. Gas #53 (High Altitude)
60) 402-526	Grate Assembly
62) 402-512	Burner Assembly NG/LP
63) 910-034	Pilot Assembly (NG) - 3 flame convertible top
910-035	Pilot Assembly (LP) - 3 flame convertible top
65) *	Burner Shroud Cover
67) *	Firebox Base
68) *	Valve Tray
69) 402-935	Log Set
402-572	Ember Package

\*Not available as a replacement part.

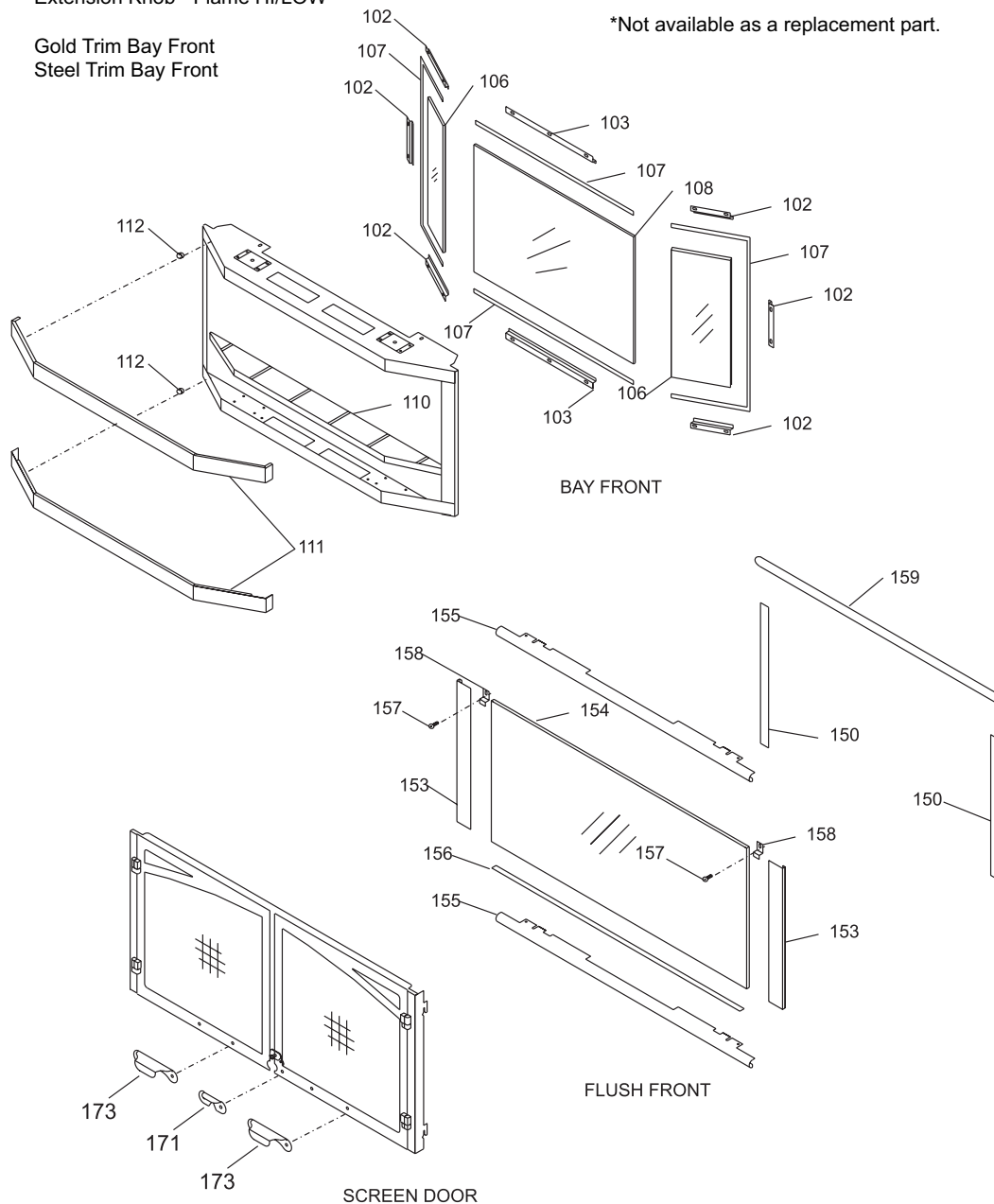


## Bay & Flush Front Assembly

Part #	Description
<b>Bay Door</b>	
400-988	Bay Door c/w Black Trims
102) *	Glass Retainer Side
103) *	Glass Retainer Front
106) 940-315/P	Side Glass
107) 936-243	Gasket - Adhesive Backing
108) 940-314/P	Center Glass
110) 902-183	Bay Brick Panel - Standard
402-905	Bay Brick Panel - Standard Brown
402-906	Bay Brick Panel - Standard Red
111) *	Door Trim
112) 904-196	1" Round Magnet
910-424	Extension Knob - Pilot ON/OFF
910-426	Extension Knob - Flame HI/LOW
402-956	Gold Trim Bay Front
402-958	Steel Trim Bay Front

Part #	Description
<b>Flush Door</b>	
402-515/P	Complete Flush Front
150) 936-243	Door Frame Gasket - 7/8"
153) *	Glass Side Trim
154) *	Flush Glass
155) 402-046	Glass Support Trim - Black
156) 936-238	Flush Glass Gasket
157) *	Screw #10-24 x 1/2"
158) 402-033	Flush Glass Bracket
159) 936-233	3/4" Rope Gasket
402-943	Complete Double Screen Door
171) 512-546	Door Latch
173) 430-133	Handle

\*Not available as a replacement part.



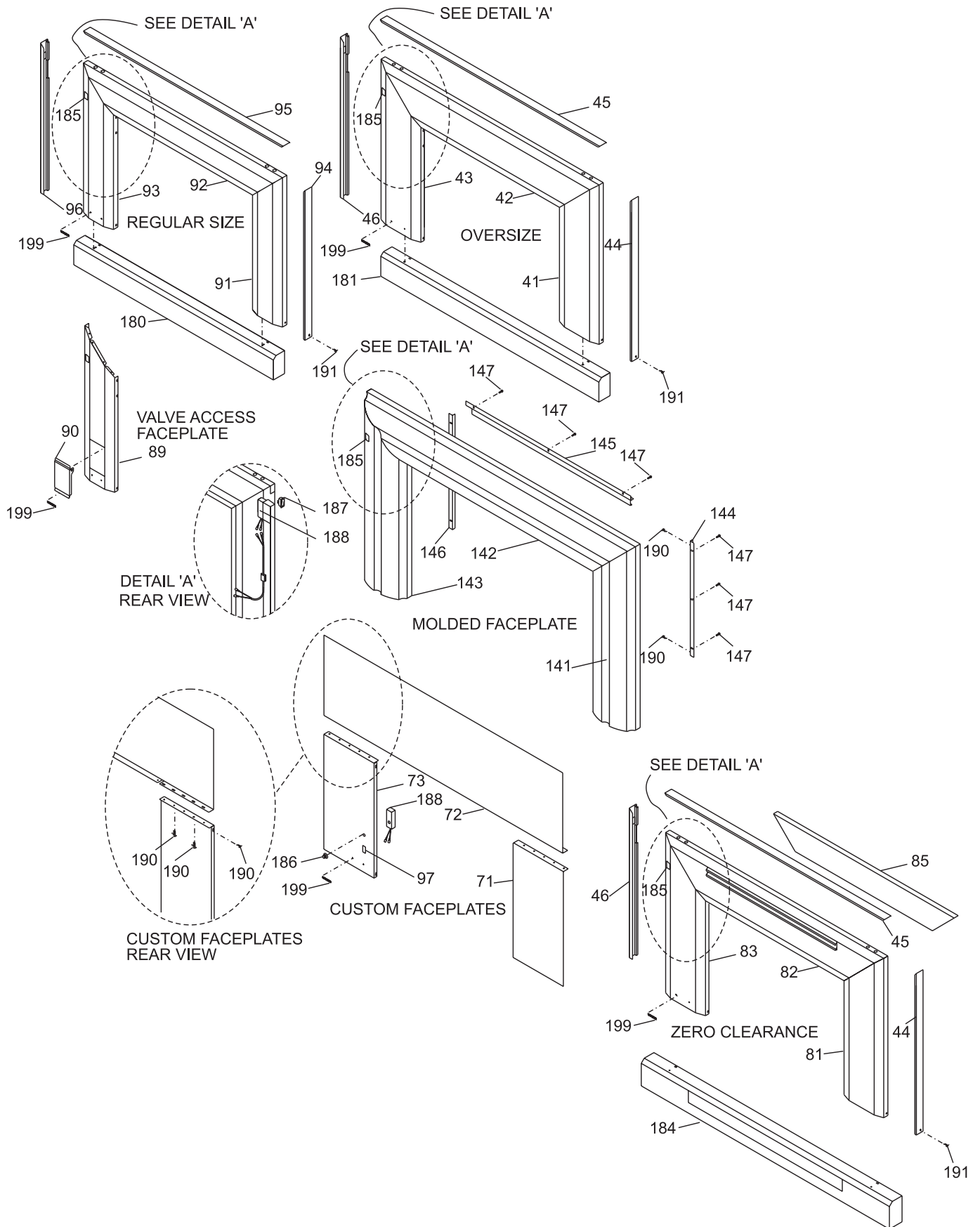
# PARTS LIST

## Faceplate Assembly

Part #	Description
<b>402-919</b>	<b>Complete Faceplate (Set) with Black Trim - Oversize</b>
41) *	Faceplate Side Right - Oversize
42) *	Faceplate Top - Oversize
43) *	Faceplate Side Left Assy-Oversize
402-534	Trims Pkg. - Oversize, Zero Clearance
44) *	Faceplate Trim Right - Oversize
45) *	Faceplate Trim Top - Oversize
46) *	Faceplate Trim Left Assy - Oversize
<b>400-917</b>	<b>Complete Custom Faceplate (Set)</b>
71) *	Faceplate Side Right - Custom
72) *	Faceplate Top - Custom
73) *	Faceplate Side Left - Custom
<b>412-906</b>	<b>Complete Faceplate (Set) with Black Trim - Zero Clearance</b>
81) *	Faceplate Side Right - Zero Clearance
82) *	Faceplate Top - Zero Clearance
83) *	Faceplate Side Left Assy-Zero Clearance
402-534	Trims Pkg. - Zero Clearance
85) 836-203	Thermal Insulation - Top
<b>400-939</b>	<b>Valve Access Faceplate</b>
89) *	Faceplate Side Left Assy
90) *	Cover Plate - Valve Access
<b>402-918</b>	<b>Complete Faceplate (Set) with Black Trim - Standard</b>
91) *	Faceplate Side Right - Standard
92) *	Faceplate Top - Standard
93) *	Faceplate Side Left Assy - Standard
402-532	Trims Pkg. - Standard
94) *	Faceplate Trim Right - Standard
95) *	Faceplate Trim Top - Standard
96) *	Faceplate Trim Left Assy - Standard
<b>402-950</b>	<b>Faceplate Trim (Set) - Standard - Brass</b>
<b>402-933</b>	<b>Molded Faceplate Complete (Set)</b>
141) *	Faceplate Side Right - Molded
142) *	Faceplate Top - Molded
143) *	Faceplate Side Left Assy -Molded
144) 402-044	Mounting Bracket - Right
145) 402-045	Filler Bracket
146) 402-043	Mounting Bracket - Left
147) *	Screw - #8 x 3/4" Pan Head
<b>400-950</b>	<b>Hearth Trim 1" - Standard</b>
<b>320-940</b>	<b>Hearth Trim 1" - Oversize</b>
<b>400-926</b>	<b>Hearth Trim 2" - Standard</b>
<b>320-942</b>	<b>Hearth Trim 2" - Oversize</b>
180) <b>400-928</b>	<b>Hearth Trim 4" - Standard</b>
181) <b>320-944</b>	<b>Hearth Trim 4" - Oversize</b>
<b>400-959</b>	<b>Hearth Trim 6" - Standard</b>
<b>320-946</b>	<b>Hearth Trim 6" - Oversize</b>
184) <b>410-525/01</b>	<b>Hearth Trim 4" - Zero Clearance</b>
185) 904-569	Fan Speed Control Knob (120 V)
186) 904-586	Speed Control Knob c/w Spring Clip
187) 910-246	Burner ON/OFF Switch
188) 910-330	Fan Speed Control (120 V)
190) *	Screw #8 x 1/2" Black self-tapping
191) *	Screw #8 x 1/2" Brass self-tapping
199) 948-220	Hampton Logo Plate

\*Not available as a replacement part.

# PARTS LIST



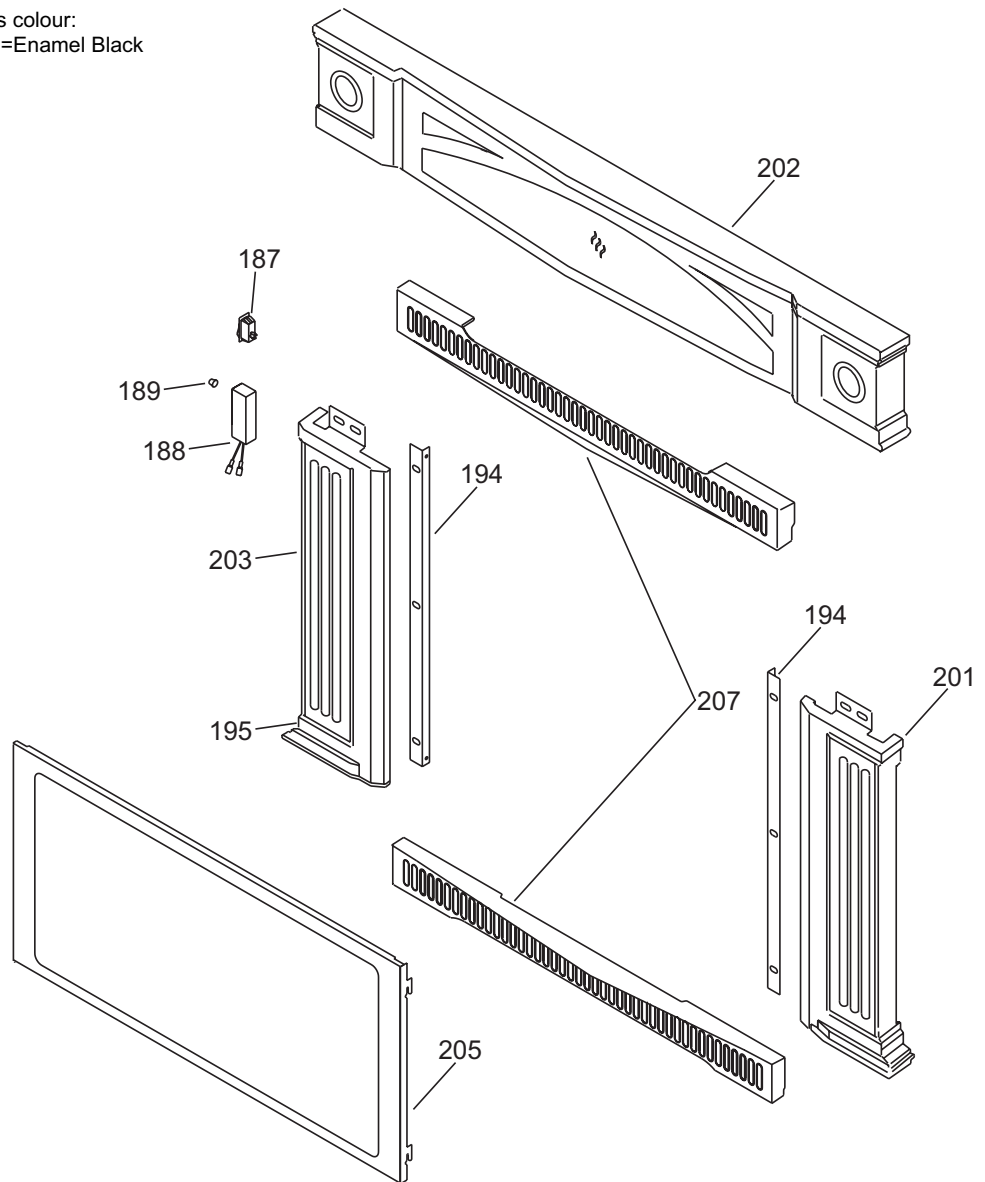
# PARTS LIST

## HAMPTON CAST FACEPLATE ASSEMBLY

Part #	Description
402-971**	Cast Faceplates (Set)
187) 910-246	Burner On/Off Switch
188) 910-330	Fan Speed Control (120 V)
189) 904-733	Knob - Black Cast Surround
201) *	Cast Faceplate - Right
202) *	Cast Faceplate - Top
203) *	Cast Faceplate - Left
205) *	Flush Glass Frame
194) *	Mounting Flange
207) 402-981**	Cast Grill (Set) - Top & Bottom

\*Not available as a replacement part.

\*\* Last digit of part number represents colour:  
 1=Black Metallic, 5=Enamel Brown, 6=Enamel Black





**FPI Fireplace Products are designed with reliability and simplicity in mind. In addition, our internal Quality Assurance Team carefully inspects each unit thoroughly before it leaves our facility. FPI Fireplace Products International Ltd. is pleased to extend this limited lifetime warranty to the original purchaser of a FPI Product. This warranty is not transferable.**

**The Warranty:** Limited Lifetime

The combustion chamber, heat exchanger, burner tubes/pans, logs, brick panels and gold plating (against defective manufacture only) are covered under the Limited Lifetime Warranty for five (5) years for parts and subsidized labour\* and parts only thereafter.

Glass is covered for lifetime against thermal breakage only, parts and subsidized labour\* for five (5) years and parts only thereafter from date of purchase.

External casting, surrounds and grills are covered against cracks and warps resulting from manufacturer defects, parts and subsidized labour\* for three (3) years from the date of purchase and parts only thereafter.

Special Finishes - One year on brushed nickel and antique copper full screens and doors. You can expect some changes in color as the product "ages" with constant heating and cooling. FPI warrants the product for any manufacturing defects on the original product. However, the manufacturers warranty does not cover changing colors and marks, ie. finger prints, etc applied after the purchase of the product. Damage from the use of abrasive cleaners is not covered by warranty.

Electrical and mechanical components such as blowers, switches, wiring, thermodiscs, FPI remote controls, spill switches, thermopiles, thermocouples, pilot assembly components, and gas valves are covered for one year parts and subsidized labour\* from the date of purchase. Blowers and valves replaced under warranty are considered repairs and continue as if new with appliance. ie. twelve (12) months from original purchase date of appliance with a minimum of three (3) months coverage from date of replacement.

FPI venting components are covered parts and subsidized labour\* for three (3) years from date of purchase.

Simpson Dura-Vent venting components (Direct Vent units) are covered by Simpson Dura-Vent Inc. warranty.

**Conditions:**

Any part or parts of this unit which in our judgement show evidence of such defects will be repaired or replaced at FPI's option, through an accredited distributor or agent provided that the defective part be returned to the distributor or agent **Transportation Prepaid**, if requested.

Porcelain/Enamel - Absolute perfection is either guaranteed nor commercially possible. Any chips must be reported and inspected by an authorized dealer within three days of installation. Reported damage after this time will be subject to rejection.

It is the general practice of FPI to charge for larger, higher priced replacement parts and issue credit once the replaced component has been returned to FPI and evaluated for manufacturer defect.

The authorized selling dealer is responsible for all in-field service work carried out on your FPI product. FPI will not be liable for results or costs of workmanship from unauthorized service persons or dealers.

At all times FPI reserves the right to inspect product in the field which is claimed to be defective.

All claims must be submitted to FPI by authorized selling dealers. It is essential that all submitted claims provide all of the necessary information including customer name, purchase date, serial #, type of unit, problem, and part or parts requested, without this information the warranty will be invalid.

**Exclusions:**

This limited Lifetime Warranty does not extend to or include paint, door or glass gasketing or trim.

At no time will FPI be liable for any consequential damages which exceed the purchase price of the unit. FPI has no obligation to enhance or modify any unit once manufactured. ie. as products evolve, field modifications or upgrades will not be performed.

FPI will not be liable for travel costs for service work.

Installation and environmental problems are not the responsibility of the manufacturer and therefore are not covered under the terms of this warranty policy.

Embers, rockwool, gaskets, door handles and paint are not covered under the terms of this warranty policy.

Any unit which shows signs of neglect or misuse is not covered under the terms of this warranty policy.

The warranty will not extend to any part which has been tampered with or altered in any way, or in our judgment has been subject to misuse, improper installation, negligence or accident, spillage or downdrafts caused by environmental or geographical conditions, inadequate ventilation, excessive offsets, negative air pressure caused by mechanical systems such as furnaces, fans, clothes dryer, etc.

Freight damage to stoves and replacement parts is not covered by warranty and is subject to a claim against the freight carrier by the dealer.

FPI will not be liable for acts of God, or acts of terrorism, which cause malfunction of the appliance.

Performance problems due to operator error will not be covered by this warranty policy.

Products made or provided by other manufacturers and used in conjunction with the operation of this appliance without prior authorization from FPI, may nullify your warranty on this product.

Any alteration to the unit which causes sooting or carboning that results in damage to the interior / exterior facia is not the responsibility of FPI.

\* Subsidy according to job scale as predetermined by FPI.

**FPI fireplaces are designed with reliability and simplicity in mind. In addition, our internal Quality Assurance Team carefully inspects each unit thoroughly before it leaves our door.**

**FPI Fireplace Products International Ltd. is pleased to extend this Limited Lifetime Warranty to the original purchaser of a FPI Product.**

**See the inside back cover for details.**

**Register your Regency online at  
<http://www.regency-fire.com>**

**Register your Hampton online at  
<http://www.hampton-fire.com>**

**Register your Excalibur online at  
<http://www.excalibur-fire.com>**

*Installer: Please complete the following information*

Dealer Name & Address: \_\_\_\_\_  
\_\_\_\_\_

Installer: \_\_\_\_\_

Phone #: \_\_\_\_\_

Date Installed: \_\_\_\_\_

Serial No.: \_\_\_\_\_