

MACHINED ALUMINUM FIXTURES

RSA offers a collection of leading edge precision designed machined fixtures for use with:

- 60 Amp - 1 or 2 Circuit Busway
- 20 Amp - 1 or 2 Circuit Track
- 40 Amp - 2 Circuit / 2 Neutral Track.

MACHINED FIXTURES include such unique high-tech features as lockable horizontal and vertical aiming, auto-extending lamp holders, bayonet-action accessory bezels and front loading lamps and accessories.

Fixtures are offered in styles of open or closed back cylinders with beveled edges. A full selection of low voltage halogen, line voltage halogen and metal halide lamp types are available with the Machined Fixtures. Low voltage models include integral electronic transformers or can be ordered for use with 12V Busway with remote transformer. Metal Halide fixtures include an integral electronic ballast.

These products are 100% machined 6000 series aluminum construction and manufactured in the U.S.A. Standard finishes include white, black or natural aluminum which accents the quality of the craftsmanship.



Closed Back



Open Back

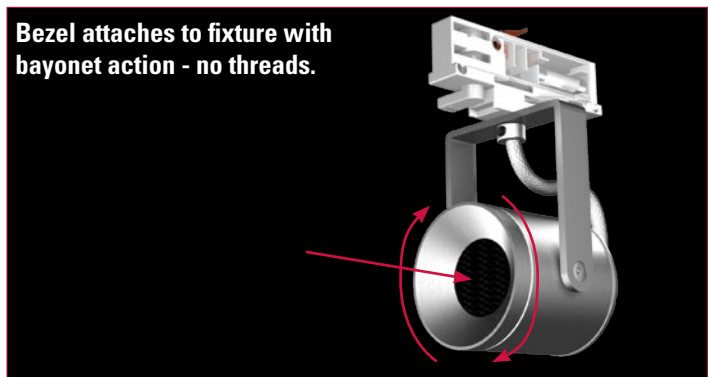
Machined Fixtures are available in both closed back and open back configurations. Both styles offer the same superior features but with an individual appeal. Low voltage and metal halide models are offered with integral transformers / ballasts.



Profile Series Machined fixtures employ a revolutionary new design to simplify the task of relamping. With the accessory bezel removed, the lamp automatically extends to the opening of the fixture for easy relamping.



All accessories are secured in the accessory bezel with a threaded retainer ring. Once the accessories are secured, the bezel is inserted into the opening of the fixture. With a slight turn the bezel locks into place via two bayonet clips.



The lamp automatically retracts to the optimal position to accommodate the accessories. When relamping is required, the lamp will once again extend automatically when the bezel is removed. The threaded retainer ring secures the accessories within the bezel



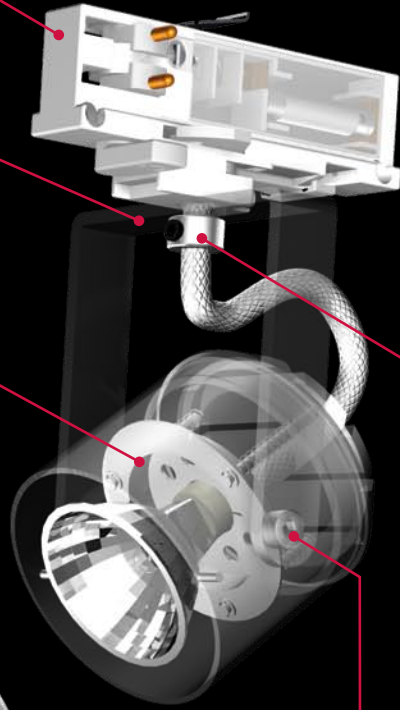
DESIGN AND FEATURES

- ACCOMMODATES ADAPTERS FOR 60 AMP BUSWAY, 20 AMP 1 OR 2 CIRCUIT TRACK OR 40 AMP 2 CIRCUIT 2 NEUTRAL TRACK.

- YOKES CAN ROTATE UP TO 370° WITHOUT REPOSITIONING THE FIXTURE DUE TO THE OVERCENTER MECHANISM. (BUSWAY ONLY)

- AUTO-EXTENDING / RETRACTING LAMP HOLDER. LAMPS EXTEND FOR EASY RELAMPING AND RETRACT TO OPTIMUM POSITION. THIS IS EXTREMELY HELPFUL WHEN DEALING WITH VARYING ACCESSORY OR LAMP DIMENSIONS.

- THE ALIGNMENT INDICATOR ENSURES THAT THE BEZEL IS ALWAYS REPLACED IN THE PROPER POSITION. THIS ELIMINATES THE POSSIBILITY OF MISALIGNING ACCESSORIES SUCH AS LINEAR LENSES AFTER RELAMPING.



- LOCKABLE AIMING ON BOTH THE HORIZONTAL AND VERTICAL PLANES.

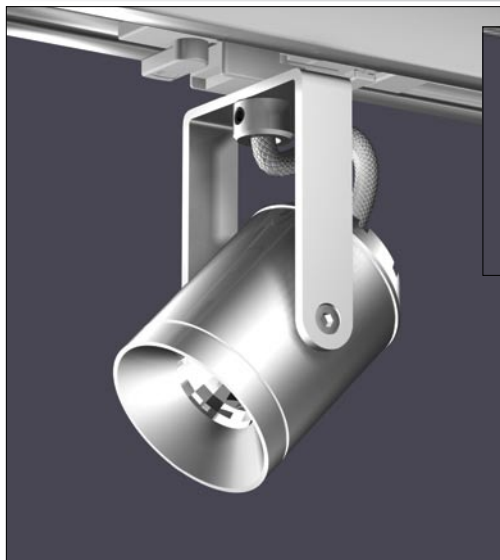
- THREADED RETAINER RING SECURELY HOLDS ACCESSORIES IN BEZEL

- ACCESSORY RETAINER CAN ACCOMMODATE UP TO THREE OPTICAL ACCESSORIES.

- BAYONET ACTION LENS / ACCESSORY BEZEL ENSURES A PRECISE LOCKING FIT TO THE FIXTURE WITHOUT THREADS. ACCESSORIES ARE RETAINED WITHIN THE BEZEL TO GUARD AGAINST ACCIDENTAL LOSS OF LENSES OR LOUVERS DURING RELAMPING.

- SOLID MACHINED 6000 SERIES ALUMINUM CONSTRUCTION WITH STANDARD ARCHITECTURAL FINISHES IN WHITE, BLACK AND NATURAL ALUMINUM. CUSTOM FINISHES ARE ALSO AVAILABLE.

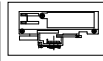
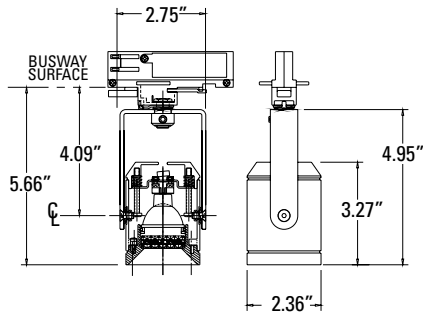
MR11 12V MACHINED FIXTURES - YOKE



CLOSED BACK



For use with 12V circuits only.



Closed Back Machined Fixture w/ Yoke

PM611 cb - MR11 for 60 Amp Busway

Wattage

20 watt | 35 watt

Finish

BK Black | **WH** White | **AL** Natural Aluminum

PT Custom Finish (specify)

Ordering Example

PM611cb-20-AL

- 370° horiz. x 270° vert. adjustment
- Up to 3 optical accessories
- Includes a clear protective lens. Also available:



Lenses



Cross Baffles



Color Filters



Snoots



Screens



12", 18", 24", 36" or 48"
Fixture Suspension Stems

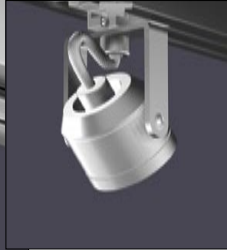


Louvers

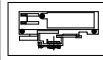
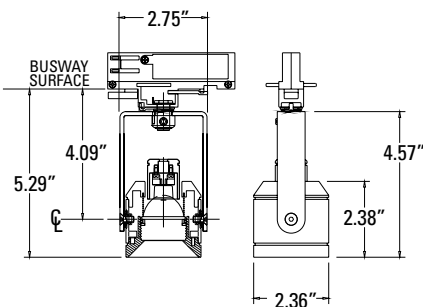
See page 76 - 77 for accessory details.



OPEN BACK



For use with 12V circuits only.



Open Back Machined Fixture w/ Yoke

PM611 ob - MR11 for 60 Amp Busway

Wattage

20 watt | 35 watt

Finish

BK Black | **WH** White | **AL** Natural Aluminum

PT Custom Finish (specify)

Ordering Example

PM611ob-20-AL

- 370° horiz. x 270° vert. adjustment
- Up to 3 optical accessories
- Includes a clear protective lens. Also available:



Lenses



Cross Baffles



Color Filters



Snoots



Screens



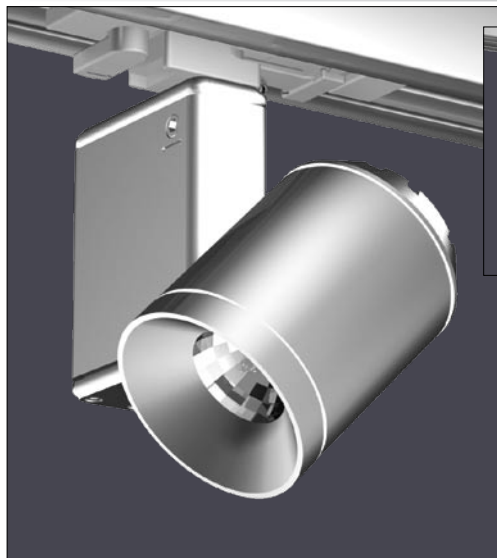
12", 18", 24", 36" or 48"
Fixture Suspension Stems



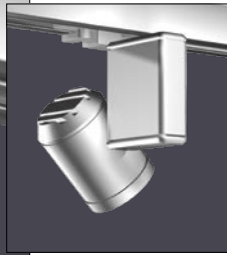
Louvers

See page 76 - 77 for accessory details.

MR11 12V MACHINED FIXTURES - INTEGRAL TRANSFORMER

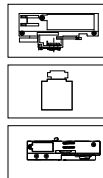


CLOSED BACK w/ INTEGRAL ELECTRONIC TRANSFORMER



MR11 12V

For use with 120V or 277V circuits only.



Closed Back Machined Fixture w/ Integral Transformer

PM611 cbi - MR11 for 60 Amp Busway

PM111 cbi - MR11 for 20 Amp 1 circuit track

PM211 cbi - MR11 for 20 Amp 2 circuit track

PM411 cbi - MR11 for 40 Amp 2 cct / 2 ntrl track

Wattage

20 watt | 35 watt

Finish

BK Black | **WH** White | **AL** Natural Aluminum

PT Custom Finish (specify)

Voltage

120 volt | 277 volt

Ordering Example

PM611cbi-20-AL-120

- 370° horiz. x 270° vert. adjustment
- Up to 3 optical accessories
- Includes a clear protective lens. Also available:



Lenses



Cross Baffles



Color Filters



Snoots



Screens

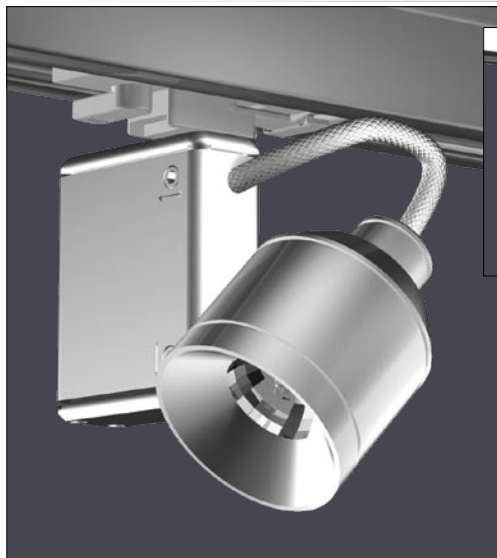
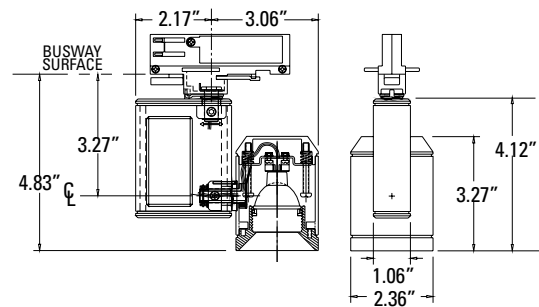


12", 18", 24", 36" or 48"
Fixture Suspension Stems

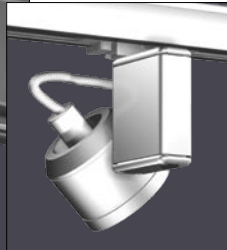


Louvers

See page 76 - 77 for accessory details.

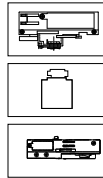


OPEN BACK w/ INTEGRAL ELECTRONIC TRANSFORMER



MR11 12V

For use with 120V or 277V circuits only.



Open Back Machined Fixture w/ Integral Transformer

PM611 obi - MR11 for 60 Amp Busway

PM111 obi - MR11 for 20 Amp 1 circuit track

PM211 obi - MR11 for 20 Amp 2 circuit track

PM411 obi - MR11 for 40 Amp 2 cct / 2 ntrl track

Wattage

20 watt | 35 watt

Finish

BK Black | **WH** White | **AL** Natural Aluminum

PT Custom Finish (specify)

Voltage

120 volt | 277 volt

Ordering Example

PM611obi-20-AL-120

- 370° horiz. x 270° vert. adjustment
- Up to 3 optical accessories
- Includes a clear protective lens. Also available:



Lenses



Cross Baffles



Color Filters



Snoots



Screens

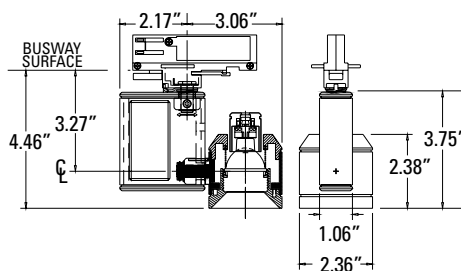


12", 18", 24", 36" or 48"
Fixture Suspension Stems

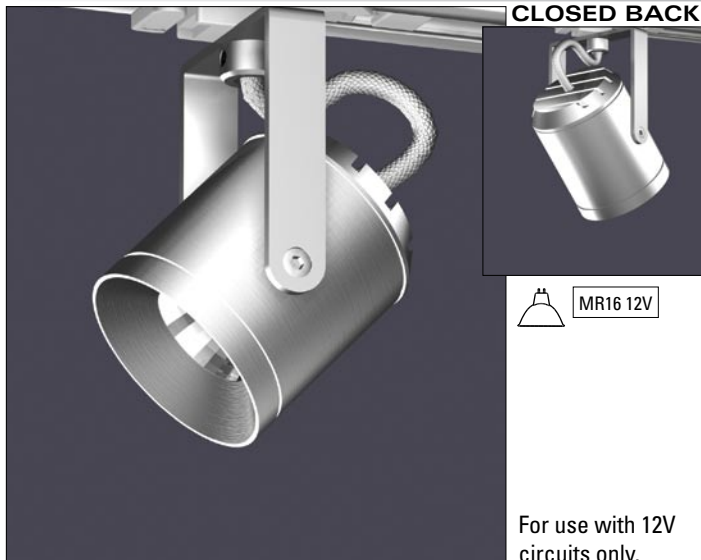


Louvers

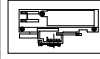
See page 76 - 77 for accessory details.



MR16 12V MACHINED FIXTURES - YOKE



CLOSED BACK



Closed Back Machined Fixture w/ Yoke

PM612 cb - MR16 for 60 Amp Busway
Wattage

20 watt | 37 watt | 42 watt | 50 watt | 71 watt
Finish

BK Black | **WH** White | **AL** Natural Aluminum
PT Custom Finish (specify)

Ordering Example

PM612cb-50-AL

- 370° horiz. x 270° vert. adjustment
- Up to 3 optical accessories
- Includes a clear protective lens. Also available:



Lenses



Cross Baffles



Color Filters



Snoots



Screens



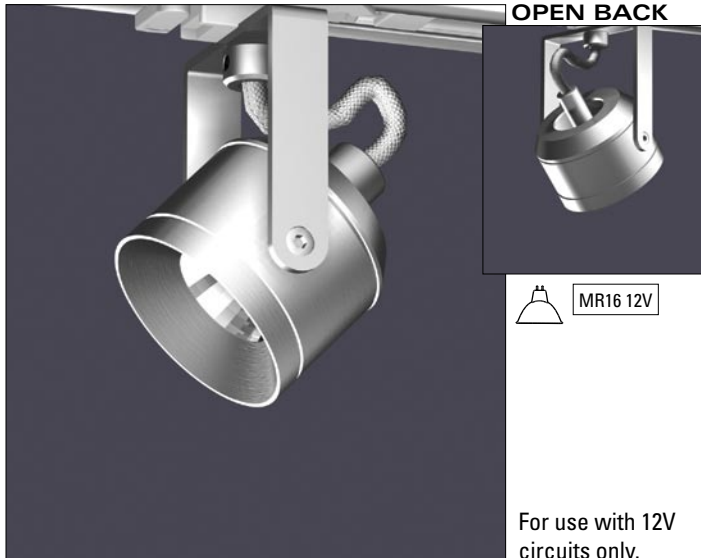
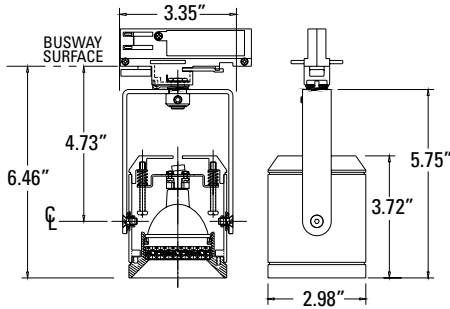
12", 18", 24", 36" or 48"
Fixture Suspension Stems



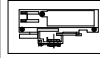
Louvers

See page 76 - 77 for accessory details.

For use with 12V circuits only.



OPEN BACK



Open Back Machined Fixture w/ Yoke

PM612 ob - MR16 for 60 Amp Busway
Wattage

20 watt | 37 watt | 42 watt | 50 watt | 71 watt
Finish

BK Black | **WH** White | **AL** Natural Aluminum
PT Custom Finish (specify)

Ordering Example

PM612ob-50-AL

- 370° horiz. x 270° vert. adjustment
- Up to 3 optical accessories
- Includes a clear protective lens. Also available:



Lenses



Cross Baffles



Color Filters



Snoots



Screens



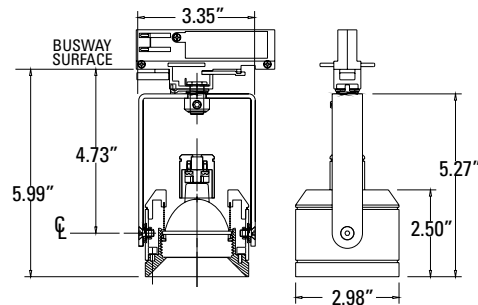
12", 18", 24", 36" or 48"
Fixture Suspension Stems



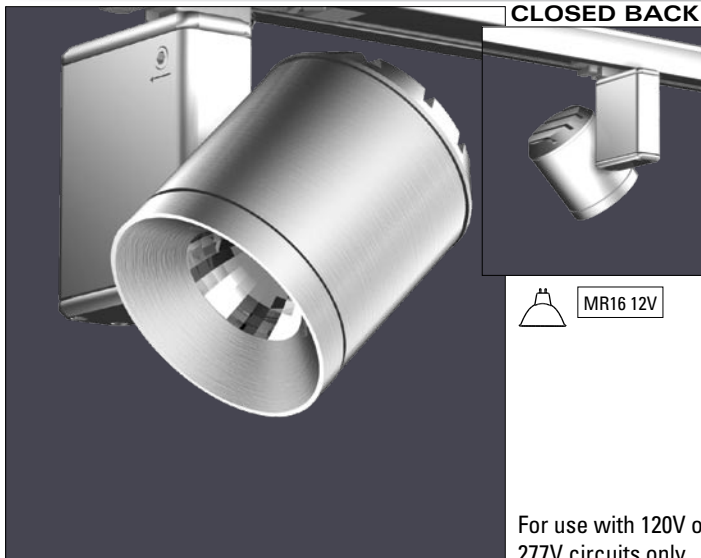
Louvers

See page 76 - 77 for accessory details.

For use with 12V circuits only.



MR16 12V MACHINED FIXTURES - INTEGRAL TRANSFORMER



CLOSED BACK w/ INTEGRAL ELECTRONIC TRANSFORMER

- Closed Back Machined Fixture w/ Integral Transformer
- PM612 cbi** - MR16 for 60 Amp Busway
- PM112 cbi** - MR16 for 20 Amp 1 circuit track
- PM212 cbi** - MR16 for 20 Amp 2 circuit track
- PM412 cbi** - MR16 for 40 Amp 2 cct / 2 ntrl track

Wattage
 20 watt | 37 watt | 42 watt | 50 watt | 71 watt

Finish
BK Black | **WH** White | **AL** Natural Aluminum
PT Custom Finish (specify)

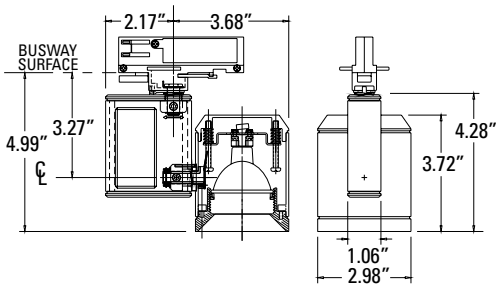
Voltage
 120 volt | 277 volt

Ordering Example
PM612cbi-50-AL-120

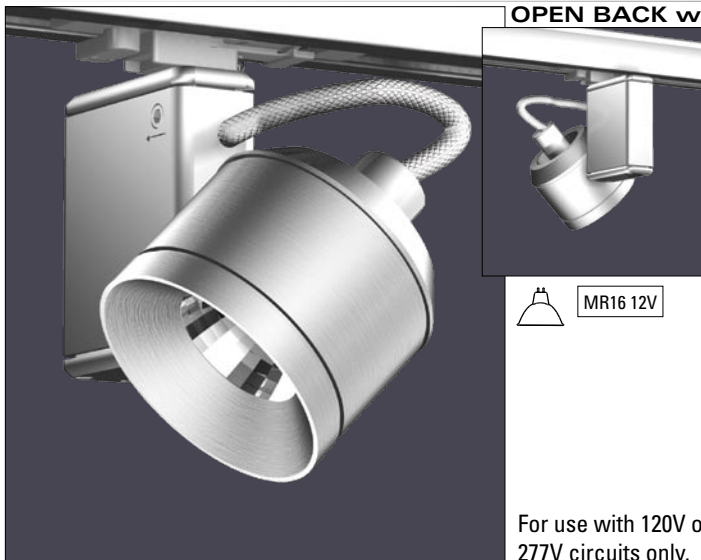
- 370° horiz. x 270° vert. adjustment
- Up to 3 optical accessories
- Includes a clear protective lens. Also available:

- Lenses
- Color Filters
- Screens
- Louvers
- Cross Baffles
- Snoots
- 12", 18", 24", 36" or 48" Fixture Suspension Stems

See page 76 - 77 for accessory details.



For use with 120V or 277V circuits only.



OPEN BACK w/ INTEGRAL ELECTRONIC TRANSFORMER

- Open Back Machined Fixture w/ Integral Transformer
- PM612 obi** - MR16 for 60 Amp Busway
- PM112 obi** - MR16 for 20 Amp 1 circuit track
- PM212 obi** - MR16 for 20 Amp 2 circuit track
- PM412 obi** - MR16 for 40 Amp 2 cct / 2 ntrl track

Wattage
 20 watt | 37 watt | 42 watt | 50 watt | 71 watt

Finish
BK Black | **WH** White | **AL** Natural Aluminum
PT Custom Finish (specify)

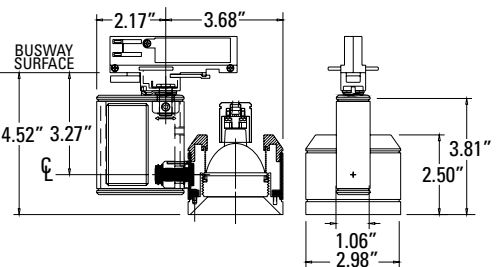
Voltage
 120 volt | 277 volt

Ordering Example
PM612obi-50-AL-120

- 370° horiz. x 270° vert. adjustment
- Up to 3 optical accessories
- Includes a clear protective lens. Also available:

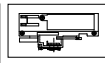
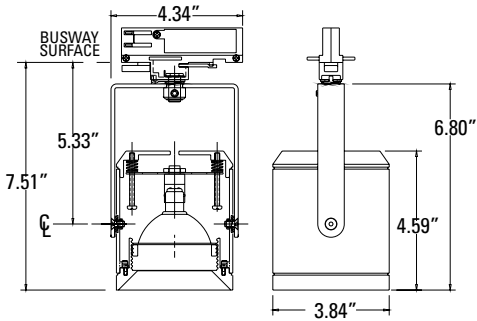
- Lenses
- Color Filters
- Screens
- Louvers
- Cross Baffles
- Snoots
- 12", 18", 24", 36" or 48" Fixture Suspension Stems

See page 76 - 77 for accessory details.



For use with 120V or 277V circuits only.

AR70 12V MACHINED FIXTURES - YOKE



Closed Back Machined Fixture w/ Yoke

PM613 cb - AR70 for 60 Amp Busway

Wattage

20 watt | 50 watt

Finish

BK Black | **WH** White | **AL** Natural Aluminum

PT Custom Finish (specify)

Ordering Example

PM613cb-50-AL

- 370° horiz. x 270° vert. adjustment
- Up to 3 optical accessories
- Includes a clear protective lens. Also available:



Lenses



Cross Baffles



Color Filters



Snoots



Screens

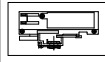
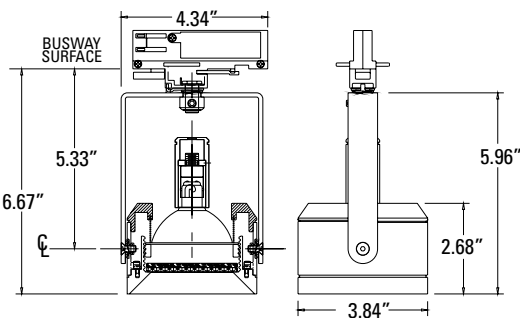
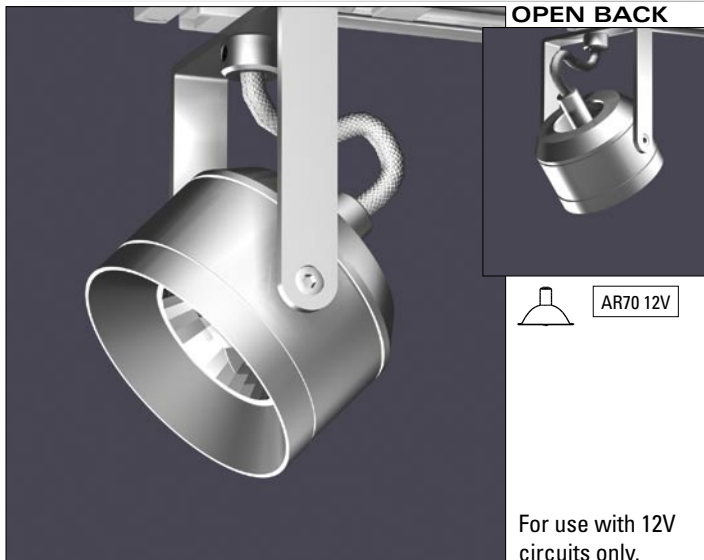


12", 18", 24", 36" or 48"
Fixture Suspension Stems



Louvers

See page 76 - 77 for accessory details.



Open Back Machined Fixture w/ Yoke

PM613 ob - AR70 for 60 Amp Busway

Wattage

20 watt | 50 watt

Finish

BK Black | **WH** White | **AL** Natural Aluminum

PT Custom Finish (specify)

Ordering Example

PM613ob-50-AL

- 370° horiz. x 270° vert. adjustment
- Up to 3 optical accessories
- Includes a clear protective lens. Also available:



Lenses



Cross Baffles



Color Filters



Snoots



Screens



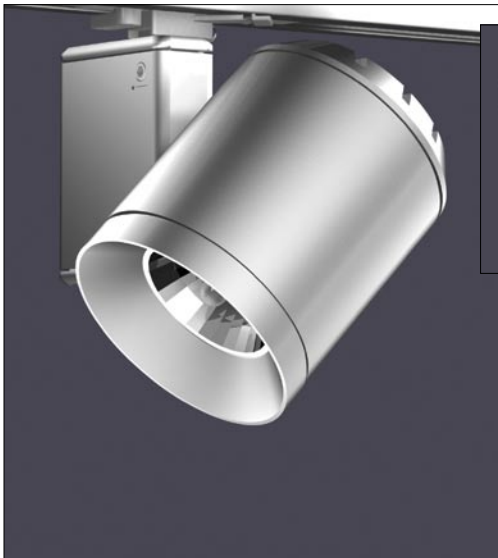
12", 18", 24", 36" or 48"
Fixture Suspension Stems



Louvers

See page 76 - 77 for accessory details.

AR70 12V MACHINED FIXTURES - INTEGRAL TRANSFORMER

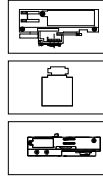


CLOSED BACK w/ INTEGRAL ELECTRONIC TRANSFORMER



AR70 12V

For use with 120V or 277V circuits only.



Closed Back Machined Fixture w/ Integral Transformer

PM613 cbi - AR70 for 60 Amp Busway

PM113 cbi - AR70 for 20 Amp 1 circuit track

PM213 cbi - AR70 for 20 Amp 2 circuit track

PM413 cbi - AR70 for 40 Amp 2 cct / 2 ntrl track

Wattage

20 watt | 50 watt

Finish

BK Black | **WH** White | **AL** Natural Aluminum

PT Custom Finish (specify)

Voltage

120 volt | 277 volt

Ordering Example

PM613cbi-50-AL-120

- 370° horiz. x 270° vert. adjustment
- Up to 3 optical accessories
- Includes a clear protective lens. Also available:



Lenses



Cross Baffles



Color Filters



Snoots



Screens

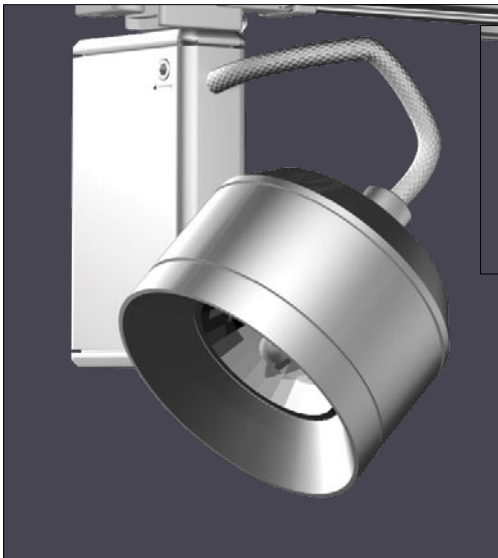
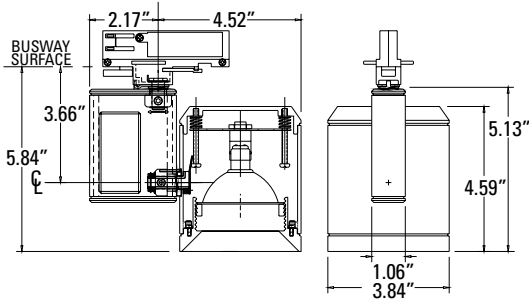


12", 18", 24", 36" or 48"
Fixture Suspension Stems

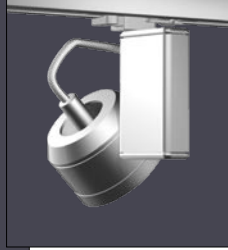


Louvers

See page 76 - 77 for accessory details.

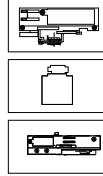


OPEN BACK w/ INTEGRAL ELECTRONIC TRANSFORMER



AR70 12V

For use with 120V or 277V circuits only.



Open Back Machined Fixture w/ Integral Transformer

PM613 obi - AR70 for 60 Amp Busway

PM113 obi - AR70 for 20 Amp 1 circuit track

PM213 obi - AR70 for 20 Amp 2 circuit track

PM413 obi - AR70 for 40 Amp 2 cct / 2 ntrl track

Wattage

20 watt | 50 watt

Finish

BK Black | **WH** White | **AL** Natural Aluminum

PT Custom Finish (specify)

Voltage

120 volt | 277 volt

Ordering Example

PM613obi-50-AL-120

- 370° horiz. x 270° vert. adjustment
- Up to 3 optical accessories
- Includes a clear protective lens. Also available:



Lenses



Cross Baffles



Color Filters



Snoots



Screens

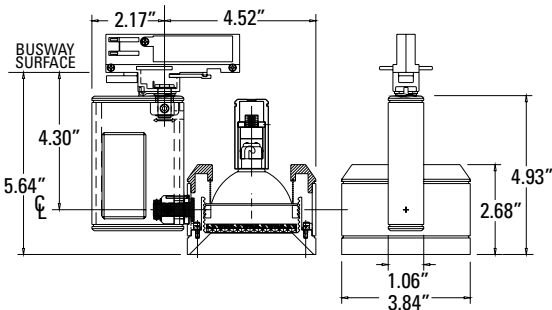


12", 18", 24", 36" or 48"
Fixture Suspension Stems

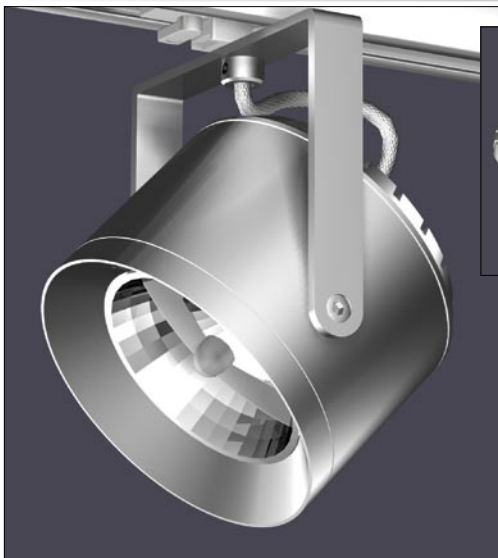


Louvers

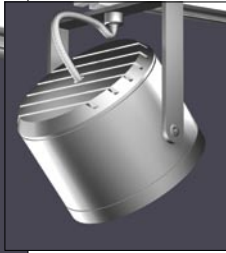
See page 76 - 77 for accessory details.



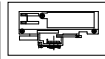
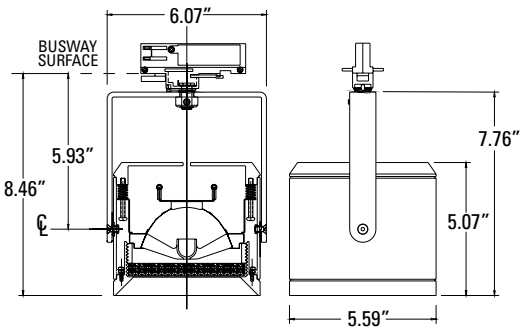
AR111 12V MACHINED FIXTURES - YOKE



CLOSED BACK



For use with 12V circuits only.



Closed Back Machined Fixture w/ Yoke
PM614 cb - AR111 for 60 Amp Busway
 Wattage

35 watt | 50 watt | 75 watt | 100 watt
 Finish

BK Black | **WH** White | **AL** Natural Aluminum
PT Custom Finish (specify)

Ordering Example

PM614cb-75-AL

- 370° horiz. x 270° vert. adjustment
- Up to 3 optical accessories
- Accessories available:



Lenses



Cross Baffles



Color Filters



Snoots



Screens

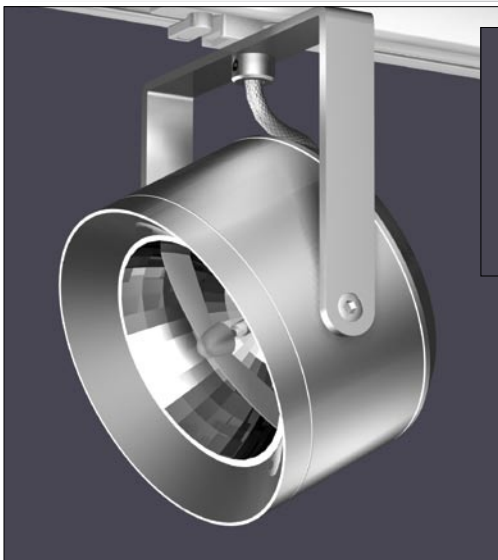


12", 18", 24", 36" or 48"
 Fixture Suspension Stems

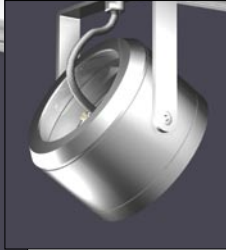


Louvers

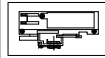
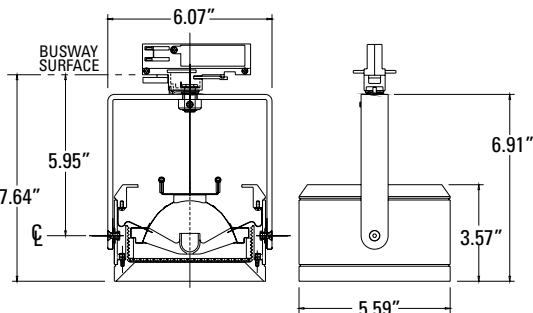
See page 76 - 77 for accessory details.



OPEN BACK



For use with 12V circuits only.



Open Back Machined Fixture w/ Yoke
PM614 ob - AR111 for 60 Amp Busway
 Wattage

35 watt | 50 watt | 75 watt | 100 watt
 Finish

BK Black | **WH** White | **AL** Natural Aluminum
PT Custom Finish (specify)

Ordering Example

PM614ob-75-AL

- 370° horiz. x 270° vert. adjustment
- Up to 3 optical accessories
- Accessories available:



Lenses



Cross Baffles



Color Filters



Snoots



Screens



12", 18", 24", 36" or 48"
 Fixture Suspension Stems

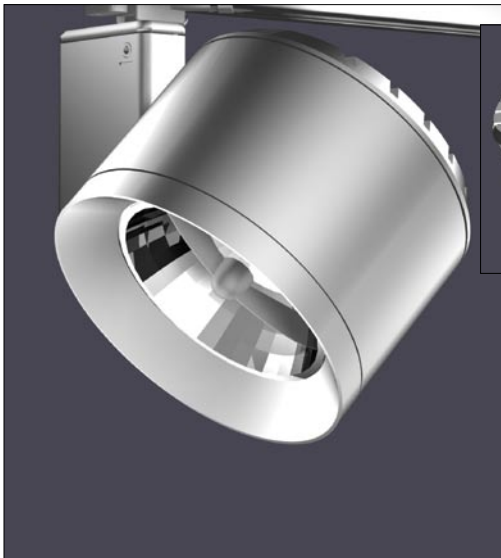


Louvers

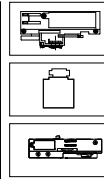
See page 76 - 77 for accessory details.

AR111 12V MACHINED FIXTURES - INTEGRAL TRANSFORMER

CLOSED BACK w/ INTEGRAL ELECTRONIC TRANSFORMER



For use with 120V or 277V circuits only.



Closed Back Machined Fixture w/ Integral Transformer

PM614 cbi - AR111 for 60 Amp Busway

PM114 cbi - AR111 for 20 Amp 1 circuit track

PM214 cbi - AR111 for 20 Amp 2 circuit track

PM414 cbi - AR111 for 40 Amp 2 cct / 2 ntrl track

Wattage

35 watt | 50 watt | 75 watt | 100 watt

Finish

BK Black | WH White | AL Natural Aluminum

PT Custom Finish (specify)

Voltage

120 volt | 277 volt

Ordering Example

PM614cbi-75-AL-120

- 370° horiz. x 270° vert. adjustment
- Up to 3 optical accessories
- Accessories available:



Lenses



Cross Baffles



Color Filters



Snoots



Screens

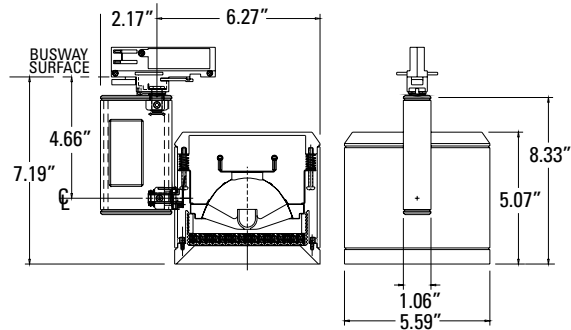


12", 18", 24", 36" or 48"
Fixture Suspension Stems

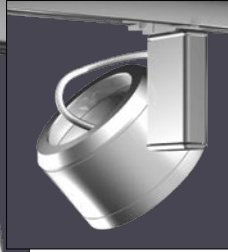
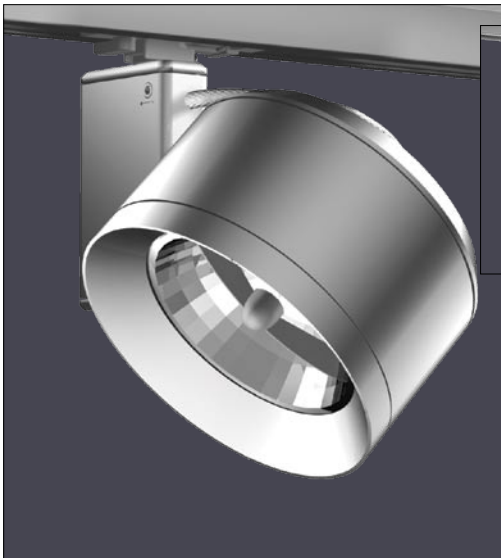


Louvers

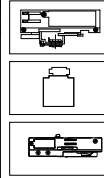
See page 76 - 77 for accessory details.



OPEN BACK w/ INTEGRAL ELECTRONIC TRANSFORMER



For use with 120V or 277V circuits only.



Open Back Machined Fixture w/ Integral Transformer

PM614 obi - AR111 for 60 Amp Busway

PM114 obi - AR111 for 20 Amp 1 circuit track

PM214 obi - AR111 for 20 Amp 2 circuit track

PM414 obi - AR111 for 40 Amp 2 cct / 2 ntrl track

Wattage

35 watt | 50 watt | 75 watt | 100 watt

Finish

BK Black | WH White | AL Natural Aluminum

PT Custom Finish (specify)

Voltage

120 volt | 277 volt

Ordering Example

PM614obi-75-AL-120

- 370° horiz. x 270° vert. adjustment
- Up to 3 optical accessories
- Accessories available:



Lenses



Cross Baffles



Color Filters



Snoots



Screens

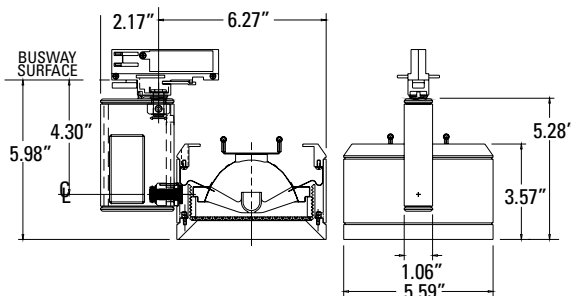


12", 18", 24", 36" or 48"
Fixture Suspension Stems

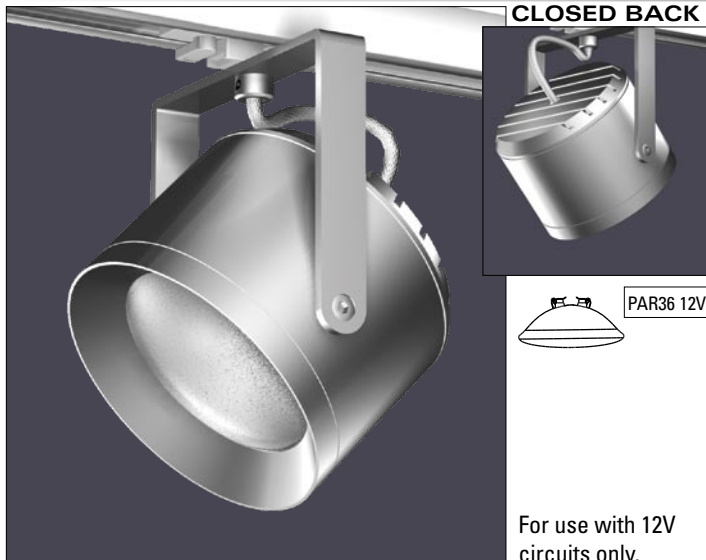


Louvers

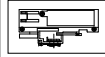
See page 76 - 77 for accessory details.



PAR36 12V MACHINED FIXTURES - YOKE



CLOSED BACK



Closed Back Machined Fixture w/ Yoke
PM615 cb - PAR36 for 60 Amp Busway
 Wattage

35 watt | 50 watt

Finish

BK Black | **WH** White | **AL** Natural Aluminum

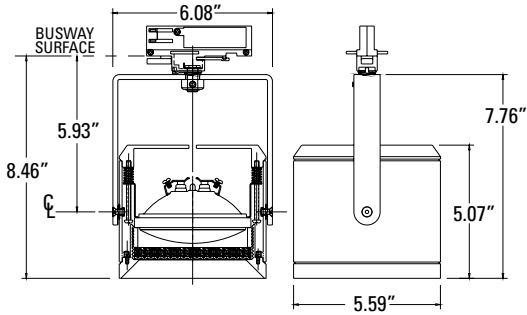
PT Custom Finish (specify)

Ordering Example

PM615cb-50-AL



For use with 12V circuits only.



- 370° horiz. x 270° vert. adjustment
- Up to 3 optical accessories
- Accessories available:



Lenses



Cross Baffles



Color Filters



Snoots



Screens

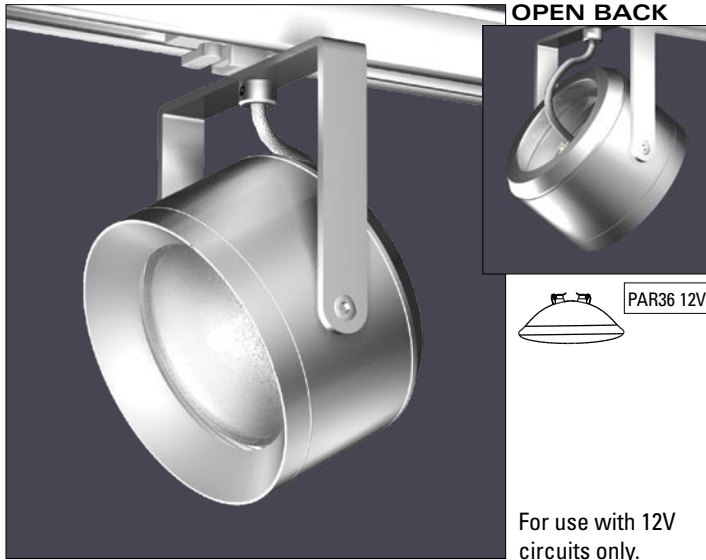


12", 18", 24", 36" or 48"
 Fixture Suspension Stems

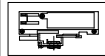


Louvers

See page 76 - 77 for accessory details.



OPEN BACK



Open Back Machined Fixture w/ Yoke
PM615 ob - PAR36 for 60 Amp Busway
 Wattage

35 watt | 50 watt

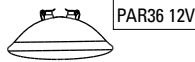
Finish

BK Black | **WH** White | **AL** Natural Aluminum

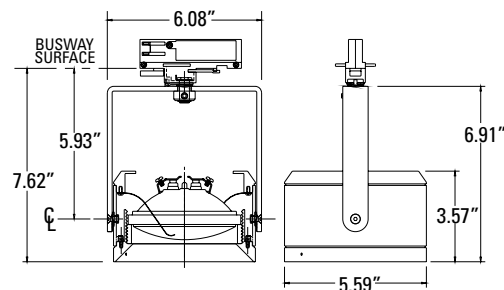
PT Custom Finish (specify)

Ordering Example

PM615ob-50-AL



For use with 12V circuits only.



- 370° horiz. x 270° vert. adjustment
- Up to 3 optical accessories
- Accessories available:



Lenses



Cross Baffles



Color Filters



Snoots



Screens



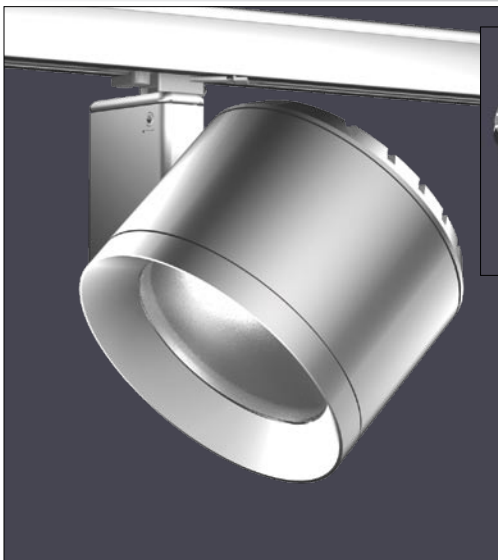
12", 18", 24", 36" or 48"
 Fixture Suspension Stems



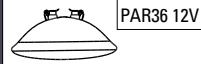
Louvers

See page 76 - 77 for accessory details.

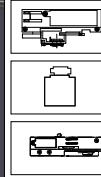
PAR36 12V MACHINED FIXTURES - INTEGRAL TRANSFORMER



CLOSED BACK w/ INTEGRAL ELECTRONIC TRANSFORMER



For use with 120V or 277V circuits only.



- Open Back Machined Fixture w/ Integral Transformer
- PM615 cbi - PAR36 for 60 Amp Busway
- PM115 cbi - PAR36 for 20 Amp 1 circuit track
- PM215 cbi - PAR36 for 20 Amp 2 circuit track
- PM415 cbi - PAR36 for 40 Amp 2 cct / 2 ntrl track

Wattage

35 watt | 50 watt

Finish

BK Black | WH White | AL Natural Aluminum

PT Custom Finish (specify)

Voltage

120 volt | 277 volt

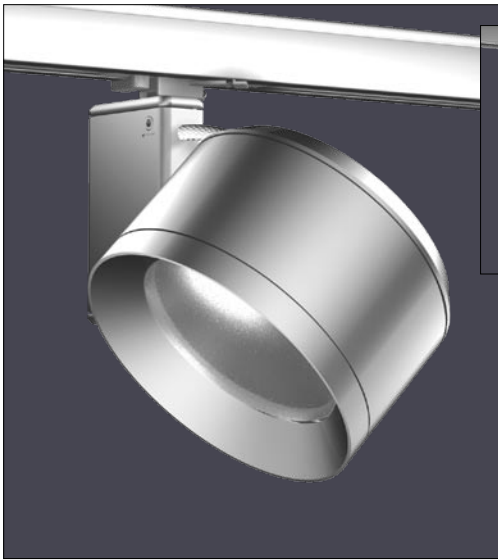
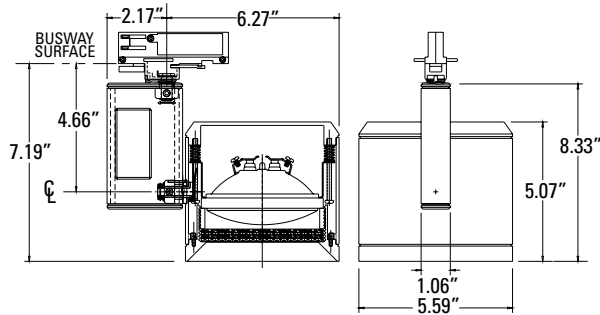
Ordering Example

PM615ob-50-AL-120

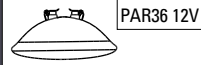
- 370° horiz. x 270° vert. adjustment
- Up to 3 optical accessories
- Accessories available:

- | | | | |
|--|---------------|--|---|
| | Lenses | | Cross Baffles |
| | Color Filters | | Snoots |
| | Screens | | 12", 18", 24", 36" or 48"
Fixture Suspension Stems |
| | Louvers | | |

See page 76 - 77 for accessory details.



OPEN BACK w/ INTEGRAL ELECTRONIC TRANSFORMER



For use with 120V or 277V circuits only.



- Open Back Machined Fixture w/ Integral Transformer
- PM615 obi - PAR36 for 60 Amp Busway
- PM115 obi - PAR36 for 20 Amp 1 circuit track
- PM215 obi - PAR36 for 20 Amp 2 circuit track
- PM415 obi - PAR36 for 40 Amp 2 cct / 2 ntrl track

Wattage

35 watt | 50 watt

Finish

BK Black | WH White | AL Natural Aluminum

PT Custom Finish (specify)

Voltage

120 volt | 277 volt

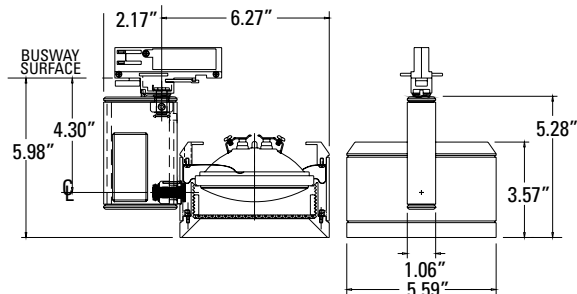
Ordering Example

PM615obi-50-AL-120

- 370° horiz. x 270° vert. adjustment
- Up to 3 optical accessories
- Accessories available:

- | | | | |
|--|---------------|--|---|
| | Lenses | | Cross Baffles |
| | Color Filters | | Snoots |
| | Screens | | 12", 18", 24", 36" or 48"
Fixture Suspension Stems |
| | Louvers | | |

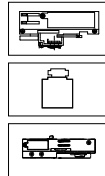
See page 76 - 77 for accessory details.



PAR16 120V MACHINED FIXTURES - YOKE



CLOSED BACK



Closed Back Machined Fixture w/ Yoke

PM621 cb - PAR16 for 60 Amp Busway

PM121 cb - PAR16 for 20 Amp 1 circuit track

PM221 cb - PAR16 for 20 Amp 2 circuit track

PM421 cb - PAR16 for 40 Amp 2 cct / 2 ntrl track

Wattage

75 watt max.

Finish

BK Black | **WH** White | **AL** Natural Aluminum

PT Custom Finish (specify)

Ordering Example

PM621cb-75-AL

• 370° horiz. x 270° vert. adjustment

• Up to 3 optical accessories

• Accessories available:



Lenses



Cross Baffles



Color Filters



Snoots



Screens



12", 18", 24", 36" or 48"
Fixture Suspension Stems

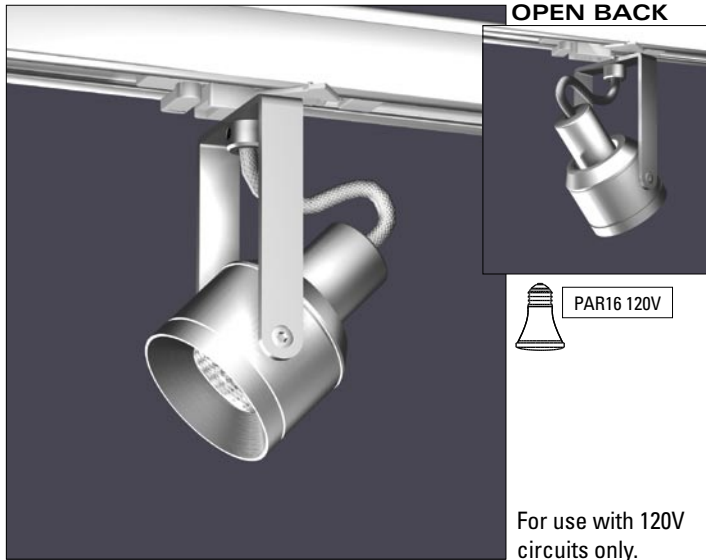
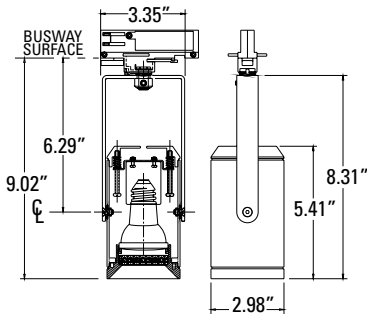


Louvers

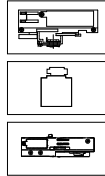
See page 76 - 77 for accessory details.



For use with 120V circuits only.



OPEN BACK



Open Back Machined Fixture w/ Yoke

PM621 ob - PAR16 for 60 Amp Busway

PM121 ob - PAR16 for 20 Amp 1 circuit track

PM221 ob - PAR16 for 20 Amp 2 circuit track

PM421 ob - PAR16 for 40 Amp 2 cct / 2 ntrl track

Wattage

75 watt max.

Finish

BK Black | **WH** White | **AL** Natural Aluminum

PT Custom Finish (specify)

Ordering Example

PM621ob-75-AL

• 370° horiz. x 270° vert. adjustment

• Up to 3 optical accessories

• Accessories available:



Lenses



Cross Baffles



Color Filters



Snoots



Screens



12", 18", 24", 36" or 48"
Fixture Suspension Stems

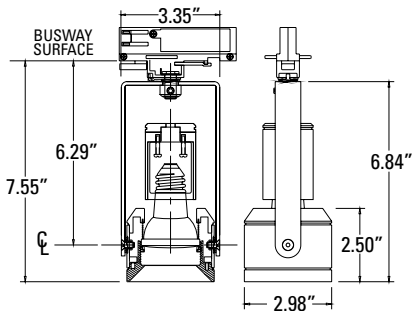


Louvers

See page 76 - 77 for accessory details.



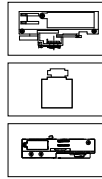
For use with 120V circuits only.



PAR20 120V MACHINED FIXTURES - YOKE



CLOSED BACK



- Closed Back Machined Fixture w/ Yoke
- PM622 cb - PAR20 for 60 Amp Busway
- PM122 cb - PAR20 for 20 Amp 1 circuit track
- PM222 cb - PAR20 for 20 Amp 2 circuit track
- PM422 cb - PAR20 for 40 Amp 2 cct / 2 ntrl track

Wattage

50 watt max.

Finish

BK Black | WH White | AL Natural Aluminum

PT Custom Finish (specify)

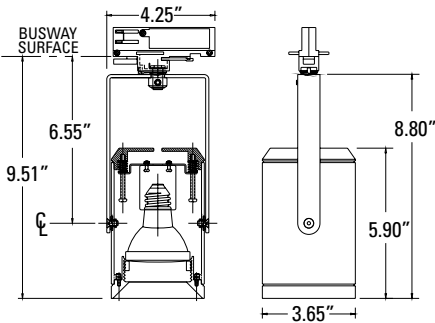
Ordering Example

PM622cb-50-AL

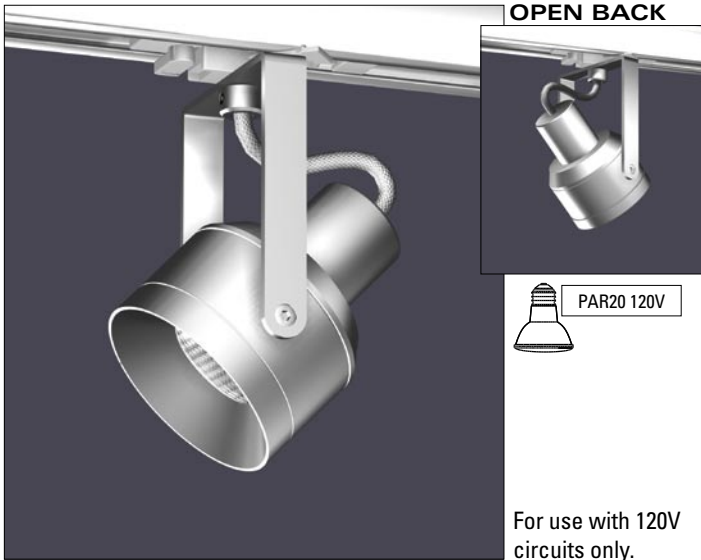
- 370° horiz. x 270° vert. adjustment
- Up to 3 optical accessories
- Accessories available:

- | | | | |
|--|---------------|--|---|
| | Lenses | | Cross Baffles |
| | Color Filters | | Snoots |
| | Screens | | 12", 18", 24", 36" or 48"
Fixture Suspension Stems |
| | Louvers | | |

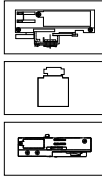
See page 76 - 77 for accessory details.



For use with 120V circuits only.



OPEN BACK



- Open Back Machined Fixture w/ Yoke
- PM622 ob - PAR20 for 60 Amp Busway
- PM122 ob - PAR20 for 20 Amp 1 circuit track
- PM222 ob - PAR20 for 20 Amp 2 circuit track
- PM422 ob - PAR20 for 40 Amp 2 cct / 2 ntrl track

Wattage

50 watt max.

Finish

BK Black | WH White | AL Natural Aluminum

PT Custom Finish (specify)

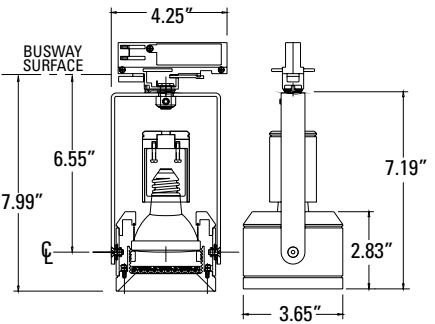
Ordering Example

PM622ob-50-AL

- 370° horiz. x 270° vert. adjustment
- Up to 3 optical accessories
- Accessories available:

- | | | | |
|--|---------------|--|---|
| | Lenses | | Cross Baffles |
| | Color Filters | | Snoots |
| | Screens | | 12", 18", 24", 36" or 48"
Fixture Suspension Stems |
| | Louvers | | |

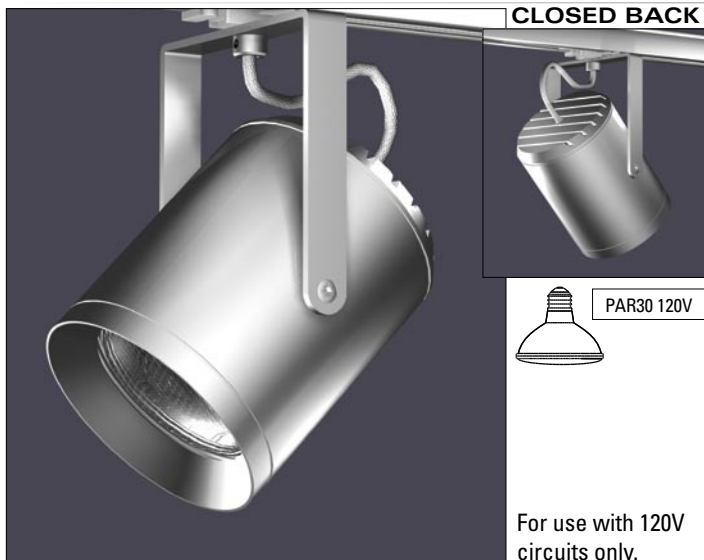
See page 76 - 77 for accessory details.



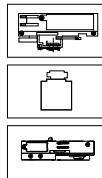
For use with 120V circuits only.



PAR30 120V MACHINED FIXTURES - YOKE



CLOSED BACK



Closed Back Machined Fixture w/ Yoke

PM623 cb - PAR30 for 60 Amp Busway

PM123 cb - PAR30 for 20 Amp 1 circuit track

PM223 cb - PAR30 for 20 Amp 2 circuit track

PM423 cb - PAR30 for 40 Amp 2 cct / 2 ntrl track

Wattage

75 watt max. (Short neck lamp only)

Finish

BK Black | **WH** White | **AL** Natural Aluminum

PT Custom Finish (specify)

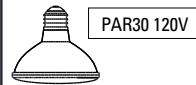
Ordering Example

PM623cb-75-AL

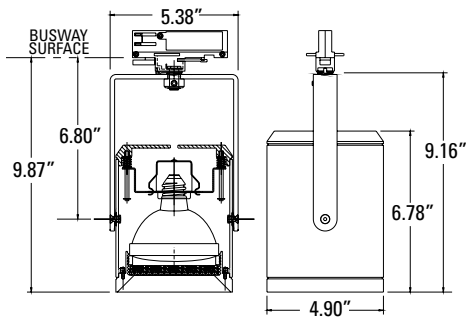
• 370° horiz. x 270° vert. adjustment

• Up to 3 optical accessories

• Accessories available:

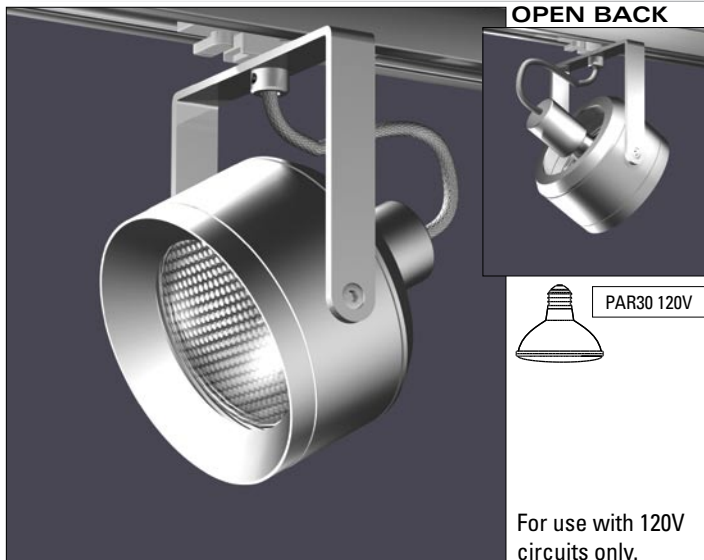


For use with 120V circuits only.

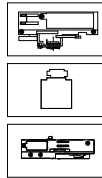


- | | |
|---------------|--|
| Lenses | Cross Baffles |
| Color Filters | Snoots |
| Screens | 12", 18", 24", 36" or 48" Fixture Suspension Stems |
| Louvers | |

See page 76 - 77 for accessory details.



OPEN BACK



Open Back Machined Fixture w/ Yoke

PM623 ob - PAR30 for 60 Amp Busway

PM123 ob - PAR30 for 20 Amp 1 circuit track

PM223 ob - PAR30 for 20 Amp 2 circuit track

PM423 ob - PAR30 for 40 Amp 2 cct / 2 ntrl track

Wattage

75 watt max. (Short neck lamp only)

Finish

BK Black | **WH** White | **AL** Natural Aluminum

PT Custom Finish (specify)

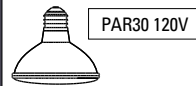
Ordering Example

PM623ob-75-AL

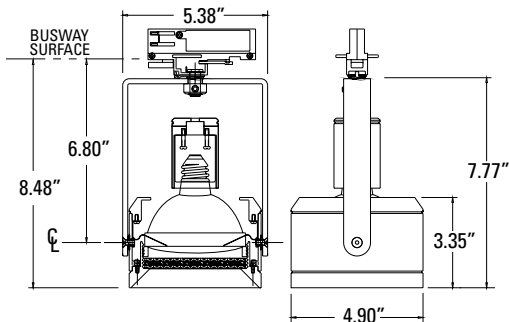
• 370° horiz. x 270° vert. adjustment

• Up to 3 optical accessories

• Accessories available:



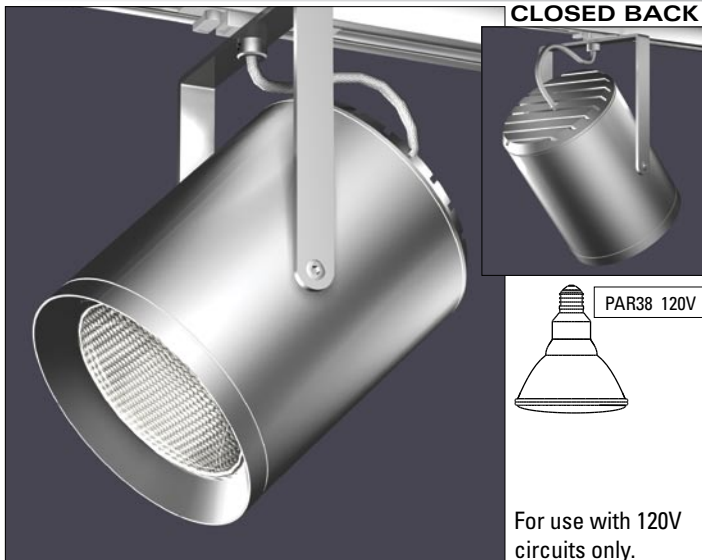
For use with 120V circuits only.



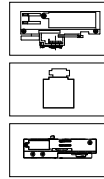
- | | |
|---------------|--|
| Lenses | Cross Baffles |
| Color Filters | Snoots |
| Screens | 12", 18", 24", 36" or 48" Fixture Suspension Stems |
| Louvers | |

See page 76 - 77 for accessory details.

PAR38 120V MACHINED FIXTURES - YOKE



CLOSED BACK



Closed Back Machined Fixture w/ Yoke

PM624 cb - PAR38 for 60 Amp Busway

PM124 cb - PAR38 for 20 Amp 1 circuit track

PM224 cb - PAR38 for 20 Amp 2 circuit track

PM424 cb - PAR38 for 40 Amp 2 cct / 2 ntrl track

Wattage

250 watt max.

Finish

BK Black | **WH** White | **AL** Natural Aluminum

PT Custom Finish (specify)

Ordering Example

PM624cb-250-AL

• 370° horiz. x 270° vert. adjustment

• Up to 3 optical accessories

• Accessories available:



Lenses



Cross Baffles



Color Filters



Snoots



Screens

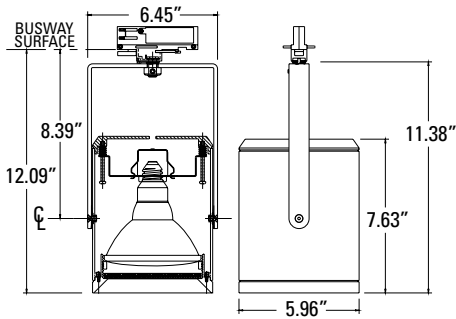


12", 18", 24", 36" or 48"
Fixture Suspension Stems

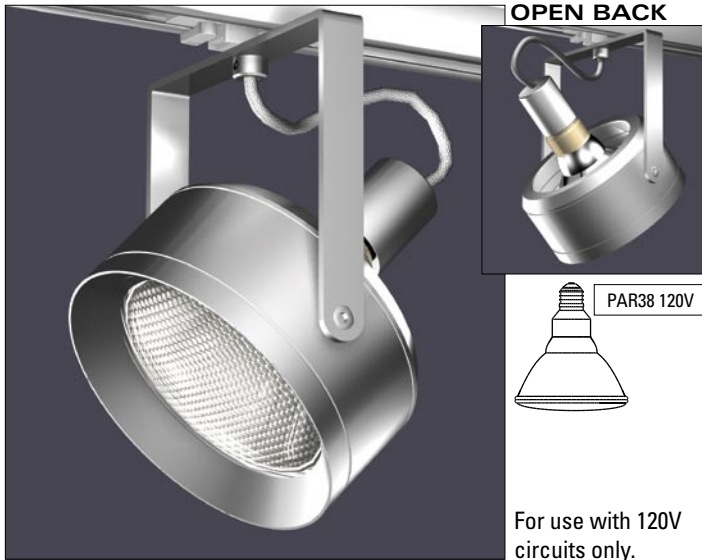


Louvers

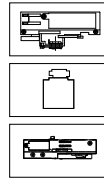
See page 76 - 77 for accessory details.



For use with 120V circuits only.



OPEN BACK



Open Back Machined Fixture w/ Yoke

PM624 ob - PAR38 for 60 Amp Busway

PM124 ob - PAR38 for 20 Amp 1 circuit track

PM224 ob - PAR38 for 20 Amp 2 circuit track

PM424 ob - PAR38 for 40 Amp 2 cct / 2 ntrl track

Wattage

250 watt max.

Finish

BK Black | **WH** White | **AL** Natural Aluminum

PT Custom Finish (specify)

Ordering Example

PM624ob-250-AL

• 370° horiz. x 270° vert. adjustment

• Up to 3 optical accessories

• Accessories available:



Lenses



Cross Baffles



Color Filters



Snoots



Screens

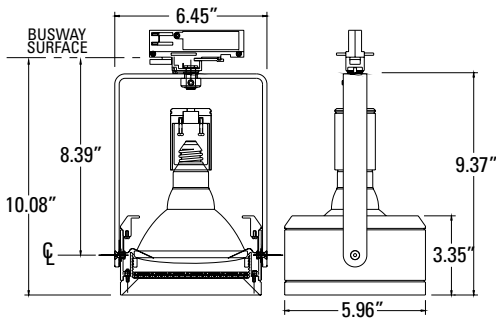


12", 18", 24", 36" or 48"
Fixture Suspension Stems



Louvers

See page 76 - 77 for accessory details.

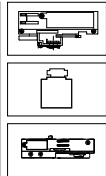


For use with 120V circuits only.

ES16 METAL HALIDE MACHINED FIXTURES



CLOSED BACK W/ STANDARD BALLAST ENCLOSURE



- Closed Back Machined Fixture w/ Integral Ballast
- PM636 cb** - ES16MH for 60 Amp Busway
- PM136 cb** - ES16MH for 20 Amp 1 circuit track
- PM236 cb** - ES16MH for 20 Amp 2 circuit track
- PM436 cb** - ES16MH for 40 Amp 2 cct / 2 ntrl track

Wattage

20 watt | 39 watt

Finish

BK Black | **WH** White | **AL** Natural Aluminum

PT Custom Finish (specify)

Voltage

120 volt | 277 volt

Integral electronic metal halide ballast

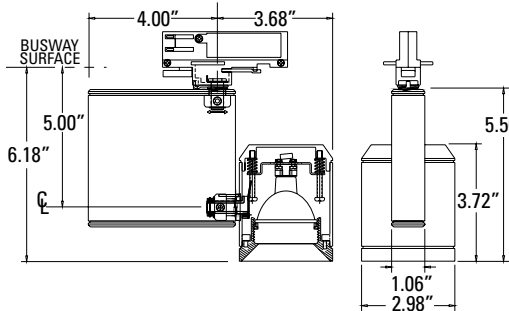
Ordering Example

PM636cb-39-WH-120

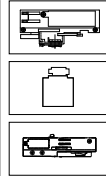
- 370° horiz. x 270° vert. adjustment
- Up to 3 optical accessories
- Accessories available:

- | | |
|---------------|--|
| Lenses | Cross Baffles |
| Color Filters | Snoots |
| Screens | 12", 18", 24", 36" or 48" Fixture Suspension Stems |
| Louvers | |

See page 76 - 77 for accessory details.



CLOSED BACK W/ TALL BALLAST ENCLOSURE



- Closed Back Machined Fixture w/ Integral Ballast
- PM636 cbix** - ES16MH for 60 Amp Busway
- PM136 cbix** - ES16MH for 20 Amp 1 circuit track
- PM236 cbix** - ES16MH for 20 Amp 2 circuit track
- PM436 cbix** - ES16MH for 40 Amp 2 cct / 2 ntrl track

Wattage

20 watt | 39 watt

Finish

BK Black | **WH** White | **AL** Natural Aluminum

PT Custom Finish (specify)

Voltage

120 volt | 277 volt

Integral electronic metal halide ballast

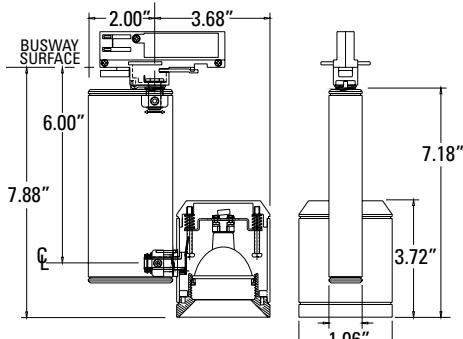
Ordering Example

PM636cbix-39-WH-120

- 370° horiz. x 270° vert. adjustment
- Up to 3 optical accessories
- Accessories available:

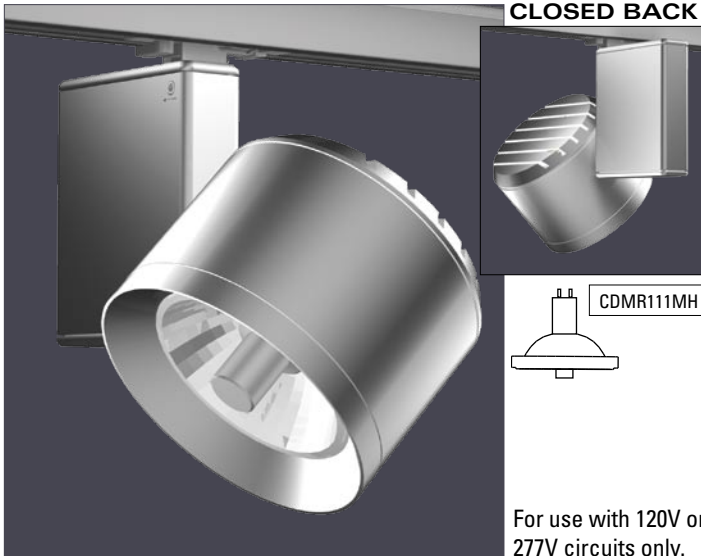
- | | |
|---------------|--|
| Lenses | Cross Baffles |
| Color Filters | Snoots |
| Screens | 12", 18", 24", 36" or 48" Fixture Suspension Stems |
| Louvers | |

See page 76 - 77 for accessory details.

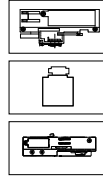


CDMR111 METAL HALIDE MACHINED FIXTURES

CLOSED BACK W/ INTEGRAL ELECTRONIC BALLAST



For use with 120V or 277V circuits only.



- Closed Back Machined Fixture w/ Integral Ballast
- **PM637 cb** - CDMR111MH for 60 Amp Busway
- **PM137 cb** - CDMR111MH for 20 Amp 1 circuit track
- **PM237 cb** - CDMR111MH for 20 Amp 2 circuit track
- **PM437 cb** - CDMR111MH for 40 Amp 2 cct / 2 ntrl track

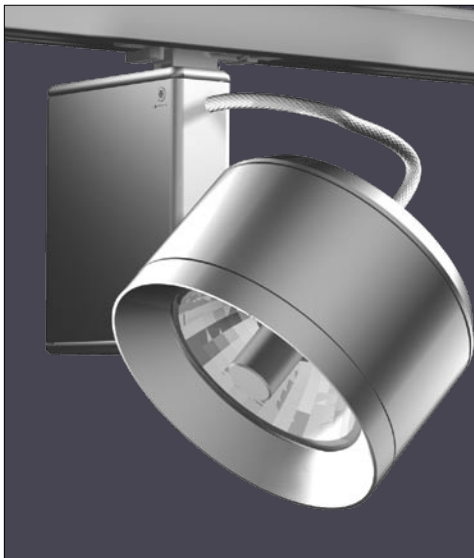
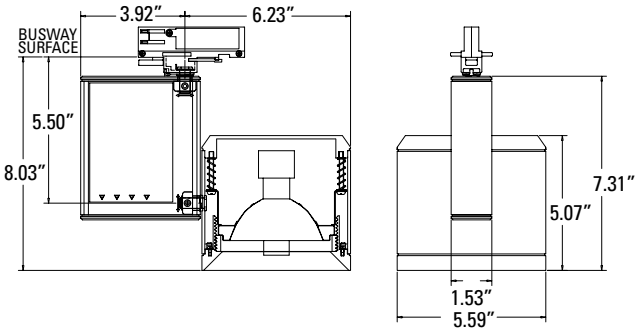
Wattage
39 watt | 70 watt

Finish
BK Black | **WH** White | **AL** Natural Aluminum
PT Custom Finish (specify)

Voltage
120 volt | 277 volt
Integral electronic metal halide ballast

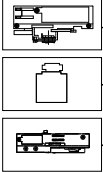
Ordering Example
PM637cb-39-AL-120

• 370° horiz. x 270° vert. adjustment



For use with 120V or 277V circuits only.

OPEN BACK W/ INTEGRAL ELECTRONIC BALLAST



- Open Back Machined Fixture w/ Integral Ballast
- **PM637 ob** - CDMR111MH for 60 Amp Busway
- **PM137 ob** - CDMR111MH for 20 Amp 1 circuit track
- **PM237 ob** - CDMR111MH for 20 Amp 2 circuit track
- **PM437 ob** - CDMR111MH for 40 Amp 2 cct / 2 ntrl track

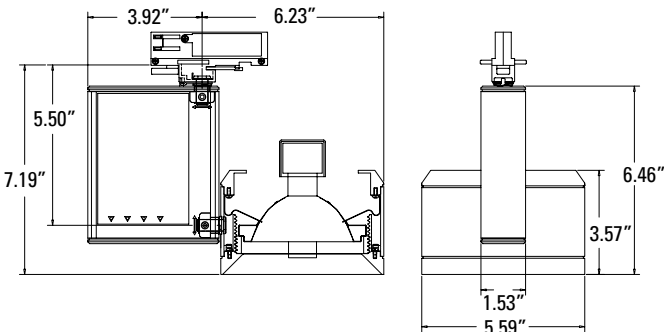
Wattage
39 watt | 70 watt

Finish
BK Black | **WH** White | **AL** Natural Aluminum
PT Custom Finish (specify)

Voltage
120 volt | 277 volt
Integral electronic metal halide ballast

Ordering Example
PM637ob-39-AL-120

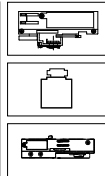
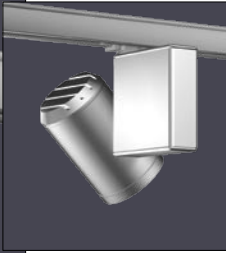
• 370° horiz. x 270° vert. adjustment



PAR20 METAL HALIDE MACHINED FIXTURES



CLOSED BACK W/ INTEGRAL ELECTRONIC BALLAST



Closed Back Machined Fixture w/ Integral Ballast

- **PM632 cb** - PAR20MH for 60 Amp Busway
- **PM132 cb** - PAR20MH for 20 Amp 1 circuit track
- **PM232 cb** - PAR20MH for 20 Amp 2 circuit track
- **PM432 cb** - PAR20MH for 40 Amp 2 cct / 2 ntrl track

Wattage

20 watt | 39 watt

Finish

BK Black | **WH** White | **AL** Natural Aluminum

PT Custom Finish (specify)

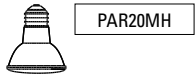
Voltage

120 volt | 277 volt

Integral electronic metal halide ballast








Ordering Example

PM632cb-39-AL-120

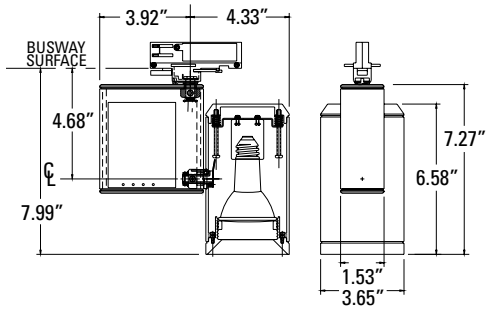


For use with 120V or 277V circuits only.

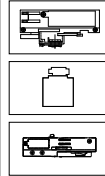
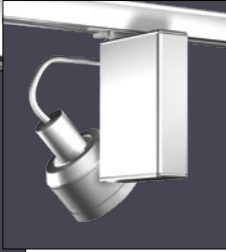
- 370° horiz. x 270° vert. adjustment
- Up to 3 optical accessories
- Accessories available:

- | | |
|--|--|
|  Lenses |  Cross Baffles |
|  Color Filters |  Snoots |
|  Screens |  12", 18", 24", 36" or 48" Fixture Suspension Stems |
|  Louvers | |

See page 76 - 77 for accessory details.



OPEN BACK W/ INTEGRAL ELECTRONIC BALLAST



Open Back Machined Fixture w/ Integral Ballast

- **PM632 ob** - PAR20MH for 60 Amp Busway
- **PM132 ob** - PAR20MH for 20 Amp 1 circuit track
- **PM232 ob** - PAR20MH for 20 Amp 2 circuit track
- **PM432 ob** - PAR20MH for 40 Amp 2 cct / 2 ntrl track

Wattage

20 watt | 39 watt

Finish

BK Black | **WH** White | **AL** Natural Aluminum

PT Custom Finish (specify)

Voltage

120 volt | 277 volt

Integral electronic metal halide ballast








Ordering Example

PM632ob-39-AL-120

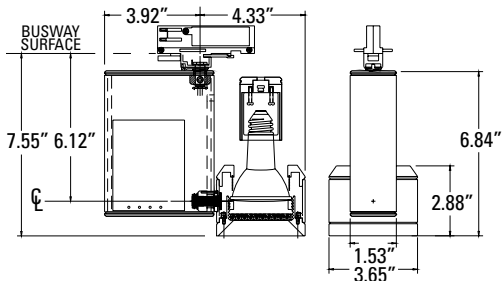


For use with 120V or 277V circuits only.

- 370° horiz. x 270° vert. adjustment
- Up to 3 optical accessories
- Accessories available:

- | | |
|--|--|
|  Lenses |  Cross Baffles |
|  Color Filters |  Snoots |
|  Screens |  12", 18", 24", 36" or 48" Fixture Suspension Stems |
|  Louvers | |

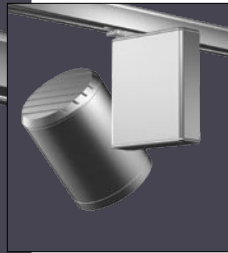
See page 76 - 77 for accessory details.



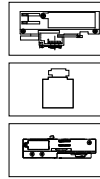
PAR30 METAL HALIDE MACHINED FIXTURES



CLOSED BACK W/ INTEGRAL ELECTRONIC BALLAST



For use with 120V or 277V circuits only.



Closed Back Machined Fixture w/ Integral Ballast

PM633 cb - PAR30MH for 60 Amp Busway

PM133 cb - PAR30MH for 20 Amp 1 circuit track

PM233 cb - PAR30MH for 20 Amp 2 circuit track

PM433 cb - PAR30MH for 40 Amp 2 cct / 2 ntrl track

Wattage

20 watt | 39 watt | 70 watt

Finish

BK Black | **WH** White | **AL** Natural Aluminum

PT Custom Finish (specify)

Voltage

120 volt | 277 volt

Integral electronic metal halide ballast

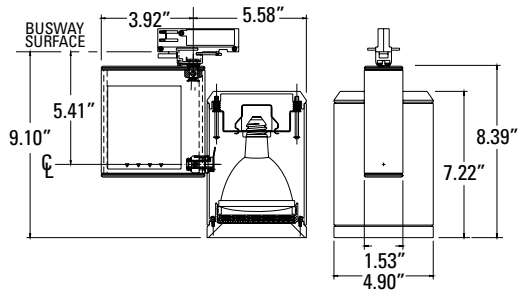
Ordering Example

PM633cb-39-AL-120

• 370° horiz. x 270° vert. adjustment

• Up to 3 optical accessories

• Accessories available:



Lenses



Cross Baffles



Color Filters



Snoots



Screens



12", 18", 24", 36" or 48"
Fixture Suspension Stems

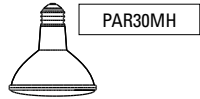
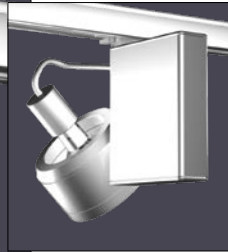


Louvers

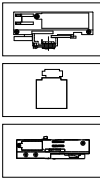
See page 76 - 77 for accessory details.



OPEN BACK W/ INTEGRAL ELECTRONIC BALLAST



For use with 120V or 277V circuits only.



Open Back Machined Fixture w/ Integral Ballast

PM633 ob - PAR30MH for 60 Amp Busway

PM133 ob - PAR30MH for 20 Amp 1 circuit track

PM233 ob - PAR30MH for 20 Amp 2 circuit track

PM433 ob - PAR30MH for 40 Amp 2 cct / 2 ntrl track

Wattage

20 watt | 39 watt | 70 watt

Finish

BK Black | **WH** White | **AL** Natural Aluminum

PT Custom Finish (specify)

Voltage

120 volt | 277 volt

Integral electronic metal halide ballast

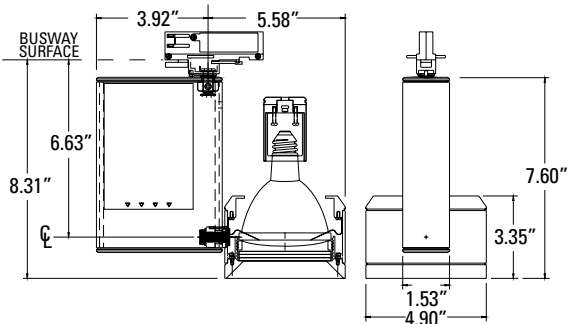
Ordering Example

PM633ob-39-AL-120

• 370° horiz. x 270° vert. adjustment

• Up to 3 optical accessories

• Accessories available:



Lenses



Cross Baffles



Color Filters



Snoots



Screens



12", 18", 24", 36" or 48"
Fixture Suspension Stems



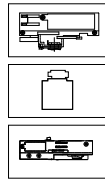
Louvers

See page 76 - 77 for accessory details.

PAR38 METAL HALIDE MACHINED FIXTURES



CLOSED BACK W/ INTEGRAL ELECTRONIC BALLAST



- Open Back Machined Fixture w/ Integral Ballast
- **PM634 cb** - PAR38MH for 60 Amp Busway
- **PM134 cb** - PAR38MH for 20 Amp 1 circuit track
- **PM234 cb** - PAR38MH for 20 Amp 2 circuit track
- **PM434 cb** - PAR38MH for 40 Amp 2 cct / 2 ntrl track

Wattage
70 watt | 100 watt

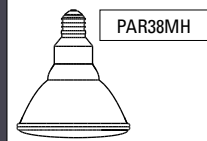
Finish
BK Black | **WH** White | **AL** Natural Aluminum
PT Custom Finish (specify)

Voltage
120 volt | 277 volt

Integral electronic metal halide ballast

Ordering Example

PM634cb-100-AL-120

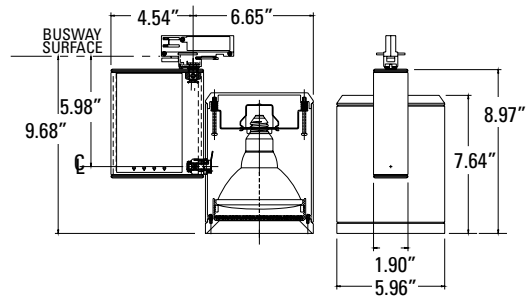


For use with 120V or 277V circuits only.

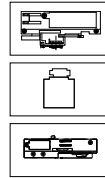
- 370° horiz. x 270° vert. adjustment
- Up to 3 optical accessories
- Accessories available:

- | | | | |
|--|---------------|--|---|
| | Lenses | | Cross Baffles |
| | Color Filters | | Snoots |
| | Screens | | 12", 18", 24", 36" or 48"
Fixture Suspension Stems |
| | Louvers | | |

See page 76 - 77 for accessory details.



OPEN BACK W/ INTEGRAL ELECTRONIC BALLAST



- Open Back Machined Fixture w/ Integral Ballast
- **PM634 ob** - PAR38MH for 60 Amp Busway
- **PM134 ob** - PAR38MH for 20 Amp 1 circuit track
- **PM234 ob** - PAR38MH for 20 Amp 2 circuit track
- **PM434 ob** - PAR38MH for 40 Amp 2 cct / 2 ntrl track

Wattage
70 watt | 100 watt

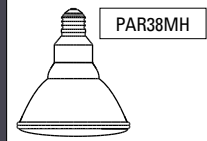
Finish
BK Black | **WH** White | **AL** Natural Aluminum
PT Custom Finish (specify)

Voltage
120 volt | 277 volt

Integral electronic metal halide ballast

Ordering Example

PM634ob-100-AL-120

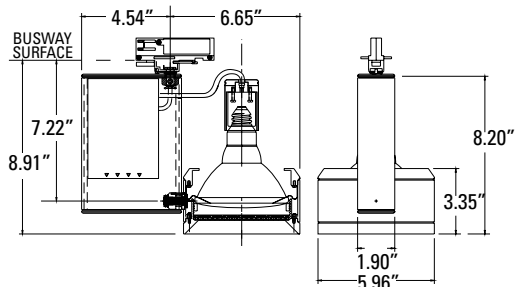


For use with 120V or 277V circuits only.

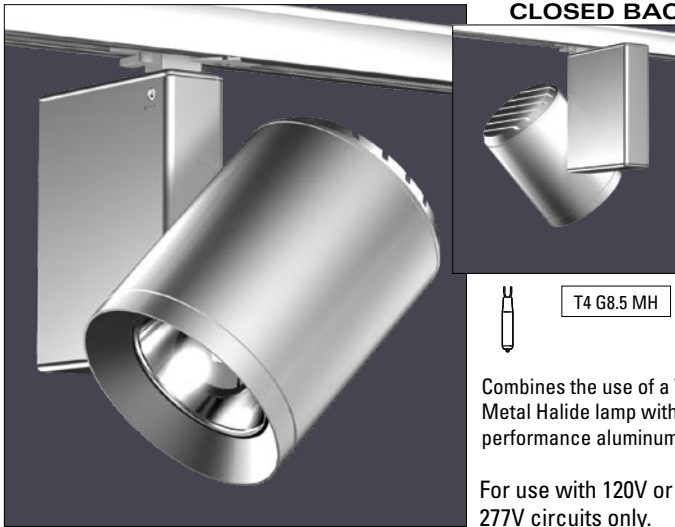
- 370° horiz. x 270° vert. adjustment
- Up to 3 optical accessories
- Accessories available:

- | | | | |
|--|---------------|--|---|
| | Lenses | | Cross Baffles |
| | Color Filters | | Snoots |
| | Screens | | 12", 18", 24", 36" or 48"
Fixture Suspension Stems |
| | Louvers | | |

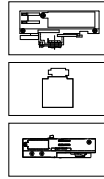
See page 76 - 77 for accessory details.



T4 G8.5 METAL HALIDE MACHINED FIXTURES



CLOSED BACK W/ INTEGRAL ELECTRONIC BALLAST



- Closed Back Machined Fixture w/ Integral Ballast
- PM635 cb** - T4G8.5MH for 60 Amp Busway
- PM135 cb** - T4G8.5MH for 20 Amp 1 circuit track
- PM235 cb** - T4G8.5MH for 20 Amp 2 circuit track
- PM435 cb** - T4G8.5MH for 40 Amp 2 cct / 2 ntrl track

Wattage

20 watt | 39 watt | 70 watt

Integral Reflector Distribution

15° narrow beam | 27° medium beam | 55° wide beam

Finish

BK Black | **WH** White | **AL** Natural Aluminum

PT Custom Finish (specify)

Voltage

120 volt | 277 volt

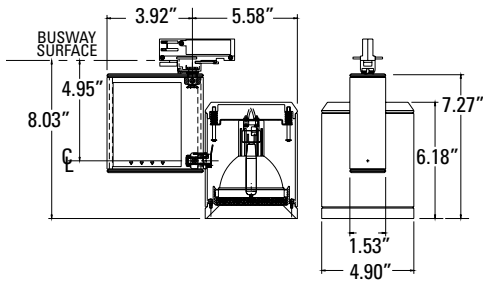
Integral electronic metal halide ballast

Ordering Example

PM635cb-39-27-AL-120

Combines the use of a T4 G8.5 Metal Halide lamp with a high performance aluminum reflector.

For use with 120V or 277V circuits only.



- 370° horiz. x 270° vert. adjustment
- Up to 3 optical accessories
- Includes a clear protective lens. Also available:

Lamp Performance Data

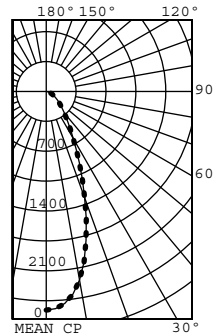
Lamp data given is typical and is based on bare lamp performance. Contact lamp manufacturers for availability and specific performance. Distance, length and width given in decimal feet

Single-Ended G8.5 Ceramic Metal Halide Lamps

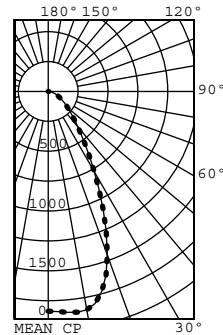
Nominal Lamp Watts	Bulb	Base	MOL Nominal (inch)	Lamp Designation	ANSI Ballast
20	T4.5	G8.5	3.37	CMH20/TC/U/830/G8.5	M156
39	T4.5	G8.5	3.37	CMH39/TC/U/830/G8.5	M130
70	T4.5	G8.5	3.37	CMH70/TC/U/830/G8.5	M139

Average Rated Type	Color Temp. Life	Approx Lumens		Mean CRI
		°K	Initial	
6,000	3,000	1,700	1,200	>80
9,000	3,000	3,400	2,600	>80
9,000	3,000	6,200	4,700	>80

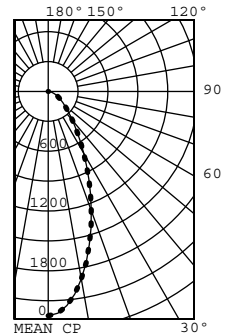
39W T4MH w/ 15° Reflector Frosted Glass Lens



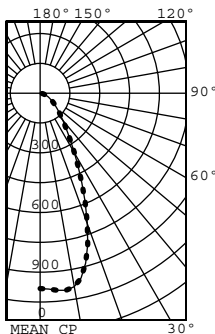
39W T4MH w/ 27° Reflector Frosted Glass Lens



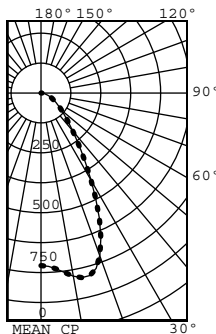
39W T4MH w/ 55° Reflector Frosted Glass Lens



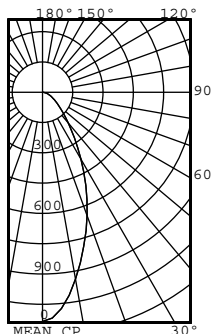
20W T4MH w/ 15° Reflector Frosted Glass Lens



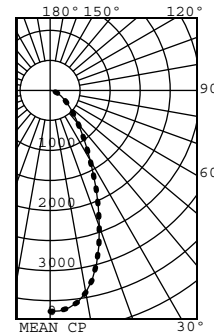
20W T4MH w/ 27° Reflector Frosted Glass Lens



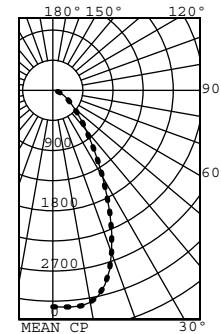
20W T4MH w/ 55° Reflector Frosted Glass Lens



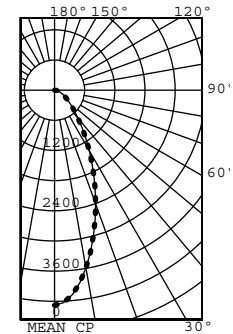
70W T4MH w/ 15° Reflector Frosted Glass Lens



70W T4MH w/ 27° Reflector Frosted Glass Lens



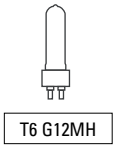
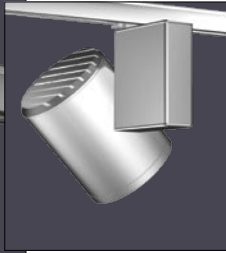
70W T4MH w/ 55° Reflector Frosted Glass Lens



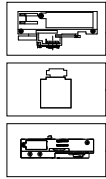
T6 G12 METAL HALIDE MACHINED FIXTURES



CLOSED BACK W/ INTEGRAL ELECTRONIC BALLAST 39W/70W



For use with 120V or 277V circuits only.



- Closed Back Machined Fixture w/ Integral Ballast
- **PM638 cb** - T6 G12MH for 60 Amp Busway
- **PM138 cb** - T6 G12MH for 20 Amp 1 circuit track
- **PM238 cb** - T6 G12MH for 20 Amp 2 circuit track
- **PM438 cb** - T6 G12MH for 40 Amp 2 cct / 2 ntrl track

Wattage
39 watt | 70 watt
 Integral Reflector Distribution
15° narrow beam | 27° medium beam | 55° wide beam

Finish
BK Black | WH White | AL Natural Aluminum
PT Custom Finish (specify)

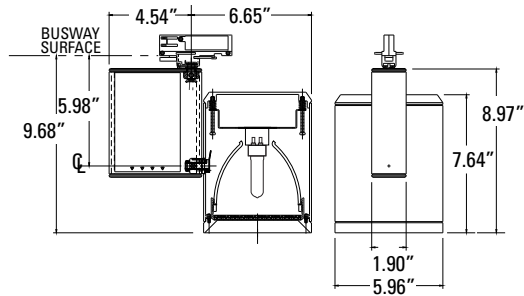
Voltage
120 volt | 277 volt

Integral electronic metal halide ballast
 Ordering Example
PM638cb-39-27-AL-120

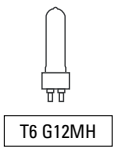
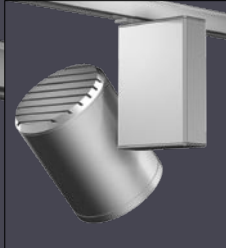
- **370° horiz. x 270° vert. adjustment**
- **Up to 3 optical accessories**
- **Includes a clear protective lens. Also available:**

- | | |
|---------------|---------------------------|
| Lenses | Cross Baffles |
| Color Filters | Snoots |
| Screens | 12", 18", 24", 36" or 48" |
| Louvers | |

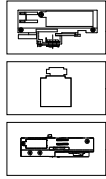
See page 76 - 77 for accessory details.



CLOSED BACK W/ INTEGRAL ELECTRONIC BALLAST 150W



For use with 120V or 277V circuits only.



- Closed Back Machined Fixture w/ Integral Ballast
- **PM638 cb** - T6 G12MH for 60 Amp Busway
- **PM138 cb** - T6 G12MH for 20 Amp 1 circuit track
- **PM238 cb** - T6 G12MH for 20 Amp 2 circuit track
- **PM438 cb** - T6 G12MH for 40 Amp 2 cct / 2 ntrl track

Wattage
150 watt
 Integral Reflector Distribution
15° narrow beam | 27° medium beam | 55° wide beam

Finish
BK Black | WH White | AL Natural Aluminum
PT Custom Finish (specify)

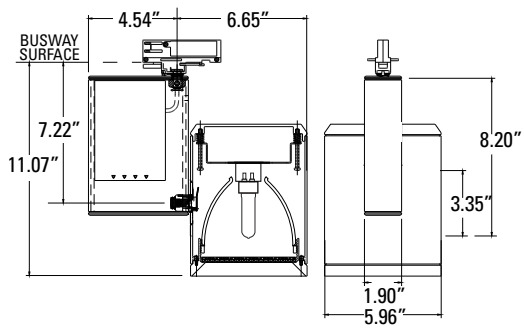
Voltage
120 volt | 277 volt

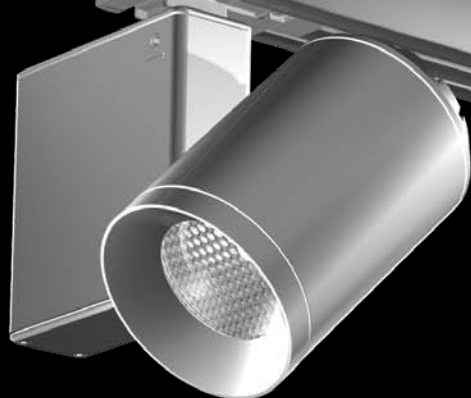
Integral electronic metal halide ballast
 Ordering Example
PM638cb-150-27-AL-120

- **370° horiz. x 270° vert. adjustment**
- **Up to 3 optical accessories**
- **Includes a clear protective lens. Also available:**

- | | |
|---------------|---------------------------|
| Lenses | Cross Baffles |
| Color Filters | Snoots |
| Screens | 12", 18", 24", 36" or 48" |
| Louvers | |

See page 76 - 77 for accessory details.





**PM632cb-39-AL-120
PAR20MH
Machined Closed Back
Integral Ballast**



**PM613cbi-50-AL-120-S12
MR16
Machined Closed Back
Integral Transformer
with 12" Stem**



**PM624ob-250-AL
PAR38
Machined Open Back
with hardwired 5" Monopoint
Canopy - (see page 77)**