

CITRUS SABER CW-Series



Model CW-Series

STANDARD FEATURES

- Produces uniform and attractive wedges.
- Easy to use.
- Stainless steel blades recessed deep into handle, ensuring safer operation.
- Simple to clean—just rinse.
- Constructed of high-impact, durable plastic.

The Prince Castle CW-Series Citrus Saber is an economical solution to wedging. Perfectly sectioning fruits and vegetables, including lemons, limes and tomatoes, the Citrus Saber is the ideal choice for drinks, salads and garnishes. The Citrus Saber is constructed of high-impact plastic, making it durable.

Available Models

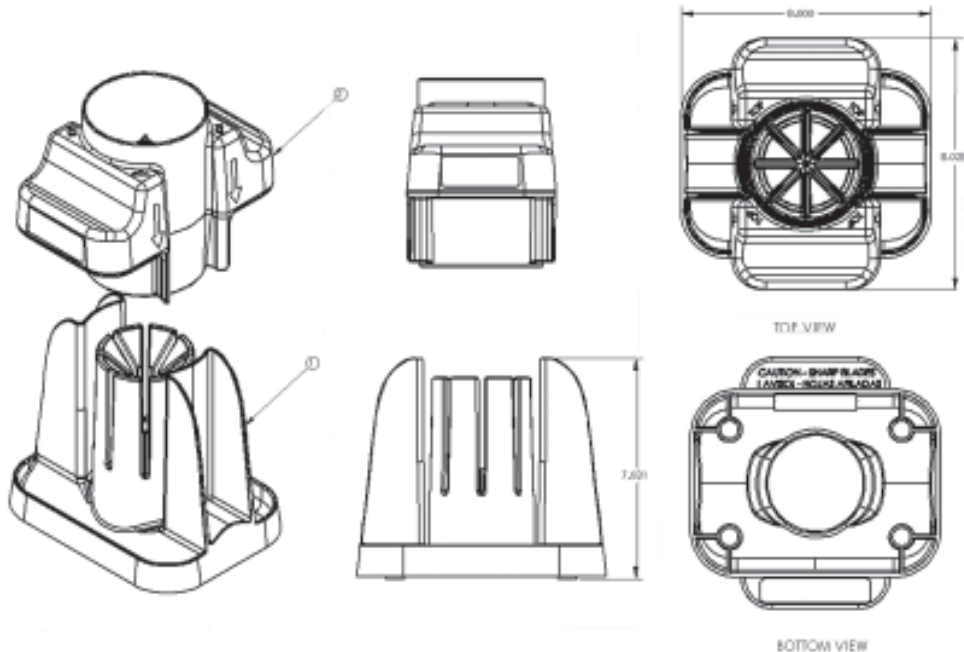
CW-1 Black Citrus Saber

CW-6 Yellow Citrus Saber



SPECIFICATIONS

MODEL NUMBER	HEIGHT IN. (CM)	DEPTH IN. (CM)	WIDTH IN. (CM)	SHIPPING WT. LB. (KG.)	SHIPPING CUBE CU. FT. (CU. M.)
CW-Series	7.03 (17.8)	8.03 (20.4)	8.0 (20.3)	2.0 (1 kg.)	.9 (.03)



CW- 0105