



S3.15 Shroud Assembly

Two acrylic Shrouds attach to the Main Frame. Complete the assembly steps for one side of the unit before moving to the other.

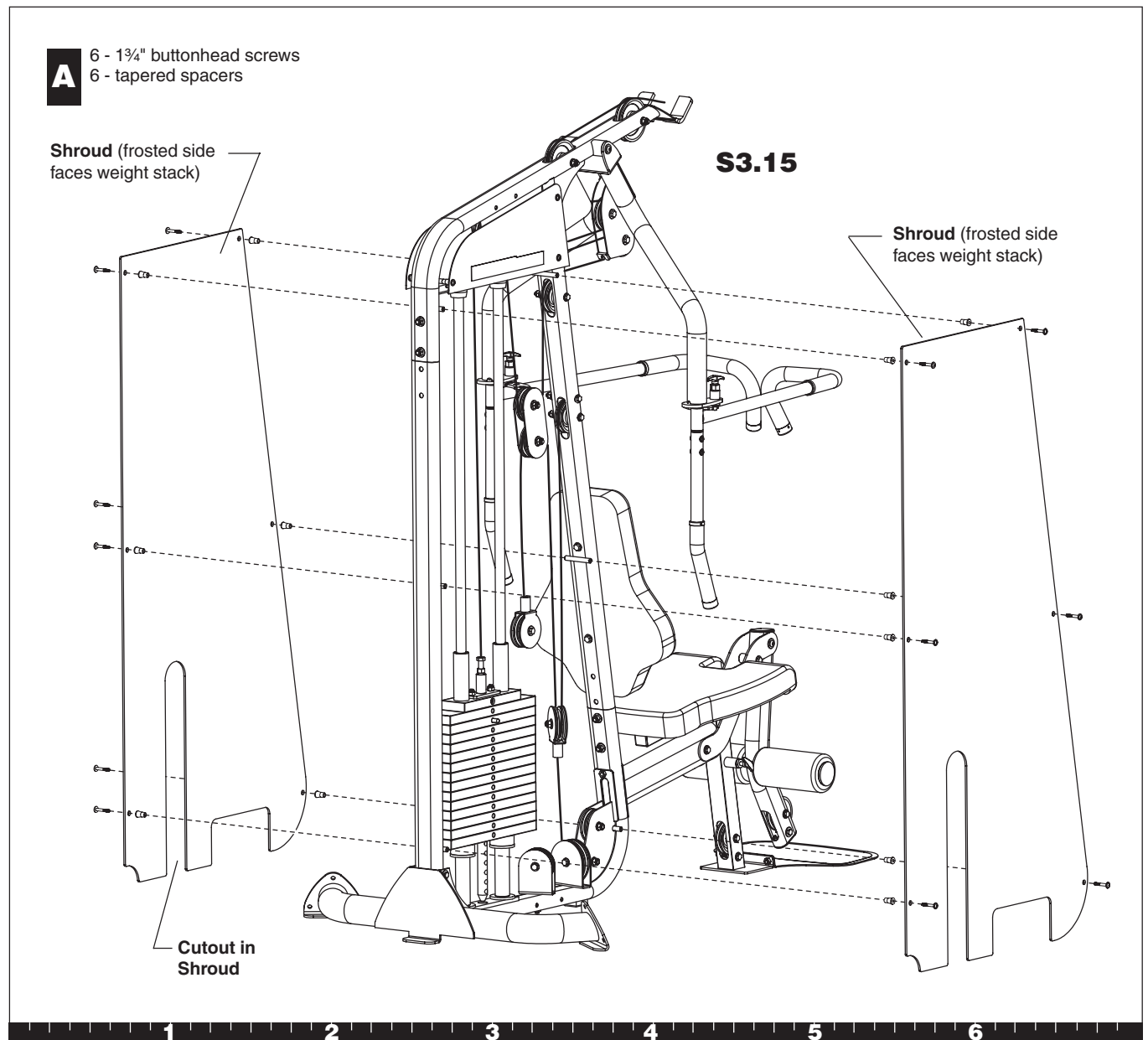
Note: If you have purchased the S3.19, follow the Shroud installation instructions found in the *S3.19 Assembly and Maintenance Guide*.

The frosted side of the Shroud faces the Weight Stack. Install the Shrouds so the cutouts allow access to the Weight Stack Pin.

Important: Handle each Shroud with care. The acrylic shrouds require special handling as they are easily scratched.

- A. Attach a Shroud to each side of the Main Frame using
 - 6 - 1 $\frac{3}{4}$ -inch buttonhead screws
 - 6 - tapered spacersStart with top fasteners and work toward the base. Ask your assistant to hold the Shroud in place while you insert the top spacers and fasteners. Alternately finger tighten all six fasteners while adjusting the alignment.
- B. If necessary, loosen the fasteners on the Upper Shroud and adjust it so its bottom edge is parallel to the top edge of the acrylic shroud. Wrench tighten all fasteners using a 5mm hex key.

CAUTION: Do not over tighten. You can crack or warp the Shroud if too much pressure is applied to the fasteners.



S3.15 Shroud Assembly

Shroud Maintenance

CAUTION: Clean the Shrouds with product specifically labeled as safe for acrylic. Use a clean, nonabrasive cloth and light pressure to avoid scratching the acrylic surface.

The acrylic Shrouds are easily scratched or damaged through improper cleaning techniques. To avoid problems, dust the shrouds often with a clean, lint-free cloth and light pressure. Avoid rubbing dirt or grit into the surface. If you use glass cleaner or a similar product, make sure the label states that it is safe to use on Plexiglas® or acrylic products.

Important: *DO NOT use ketones, aromatics, esters, halogens, window cleaning sprays, alcohol, kitchen scouring compounds, or solvents (such as acetone, benzene, gasoline, carbon tetrachloride, or thinners). Do not use ammonia-based cleaning solutions because the ammonia destroys the plastic coating.*

To remove light scratches on the smooth side only, use a buffing compound such as, car wax. Lightly buff the acrylic sheet using a clean buffer until the scratches disappear.