

# Panasonic

ideas for life

preliminary

## Camera Studio System

**AG-BS300**

Base Station

**AG-CA300G**

Camera Adaptor

**AG-EC4G**

Extension Control Unit

**AG-YA500G**

VF Interface Box



The camera must be purchased separately.

The products shown in this photograph are under development and differ from the actual products.

# Excellent Cost-Performance for Camera Studio System

## Supporting a Wide Range of P2 HD and DVCPRO HD Camera-Recorders

This new camera studio system boosts the level of cost-performance for a wide range of P2 HD and DVCPRO HD camera-recorders. BNC cables transmit degradation-free HD digital images up to 328' (100 meters). Plus, in addition to giving you full remote control of camera functions and recording, the system supplies power to the camera and provides return images and signals of mic and others. The ability to operate with both AC and DC power brings camera extension system recording to a variety of studio and field applications.



### Supported Camera-Recorders

**P2 HD:** AG-HPX300 series, AG-HPX500 series, AJ-HPX3700, AJ-HPX2700, AJ-HPX3000, AJ-HPX2000/2100

**DVCPRO HD:** AG-HDX900



\*The products shown in this photograph are under development and may differ from the final products.

### AG-BS300 Base Station and AG-CA300G Camera Adaptor

- Digital signal transmission ensures high-quality, degradation-free images.
- The base station and camera adaptor can be separated up to a distance of 328' (100 meters).
- Connection with two BNC cables\*1 allows transmission of HD digital images, return images, tally signals, mic signals, and genlock signals.
- Connection of the AG-EC4G Extension Control Unit or AJ-RC10G Remote Control Unit\*2 enables camera-recorder control.
- Up to 70 watts of power can be supplied to the camera-recorder\*3, and a compact monitor and servo zoom can also be driven.
- AG-BS300: Supports both AC (100 to 240 V) and DC (12V) power supplies. Includes two SDI (HD/SD) outputs and a composite video output.
- AG-CA300G: The compact, lightweight design boosts shoulder-held mobility. Allows the use of Anton, IDX\*4 and other batteries.

\*1 Using 5C-FW is required to transmit HD signal and using 5C-2V is required to transmit SD signal.

\*2: The AJ-RC10G can control only the functions that are supported by the camera-recorder. It cannot operate unsupported switches or dials.

\*3: Power can be supplied only when the AG-BS300 Base Station is driven by an AC power source. A separate power cord is also required between the AG-BS300 Base Station and the AG-CA300G Camera Adaptor. Other manufacturer's power cords which Panasonic verified are recommended to use.

\*4: IDX battery plate is required.



### AG-EC4G Extension Control Unit

- Features functions and cost-performance that are ideally matched to the AG-HPX300 series and AG-HPX500 series.
- In addition to providing remote control of the AG-BS300 Base Station, the AG-EC4G can be connected directly to a camera-recorder\*5 for control use.
- The maximum length of the remote control cable is 164' (50 meters).
- The AG-EC4G is both compact and light at 1.4 lbs (620 g).
- Control functions: Gain Up/Down, Output Cam/Bar Selection (linked to Auto Knee), White Balance A/B/Preset Selection, AWB/ABB Execution, Shutter SS/Fix/Off Selection and Speed Setting, Iris Auto/Manual Selection and Adjustment, Master Pedestal, Painting, Camera Menu Operation, Recorder Operation (Rec/Play/FF/Rew/Rec Check), User Buttons (3), Character On/Off)
- 32' (10 meters) remote cable is bundled.

\*5: Supported camera-recorders only.



### AG-YA500G

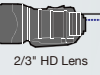
#### VF Interface Box

- Displays return images in the viewfinder and supports the tally.
- Supported viewfinders: AJ-CVF100G, AJ-HVF21G, AJ-VF20WB, AJ-VF15B, AG-VF11G (discontinued model)

\*The AG-YA500G VF Interface Box cannot be used with the AG-HPX300 series. The applicable viewfinder varies depending on the camera.



Viewfinder\*4  
AJ-CVF100G  
AJ-HVF21G  
AJ-VF20WB\*2  
AJ-VF15B\*2  
AG-VF11G\*2



2/3" HD Lens



Viewfinder (spare)\*4  
AJ-CVF100G  
AJ-HVF21G  
AJ-VF20WB\*2  
AJ-VF15B\*2  
AG-VF11G\*2



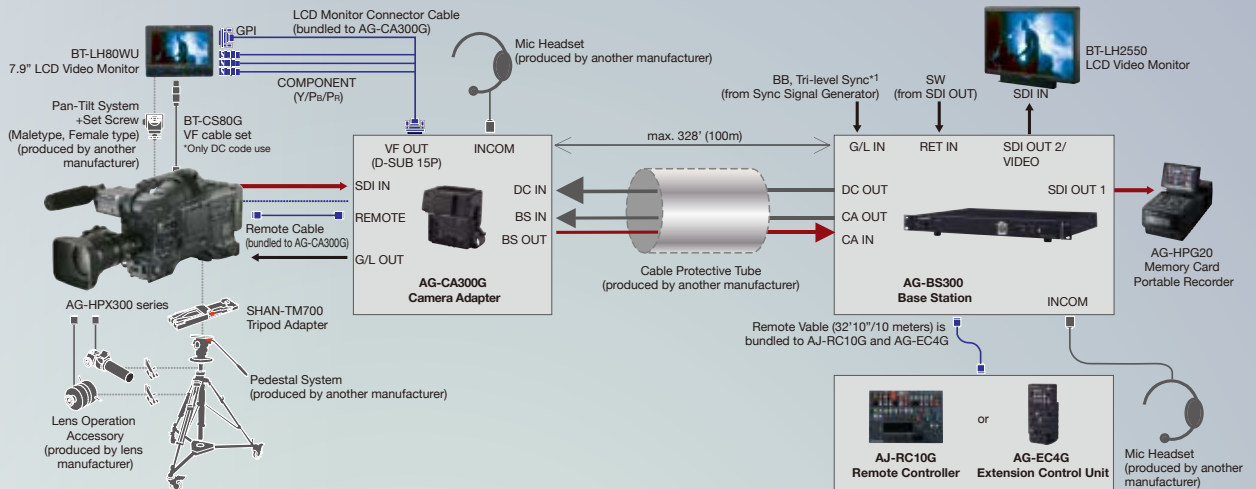
2/3" HD Lens (produced by another manufacturer)



Lens Operation Accessory (produced by lens manufacturer)

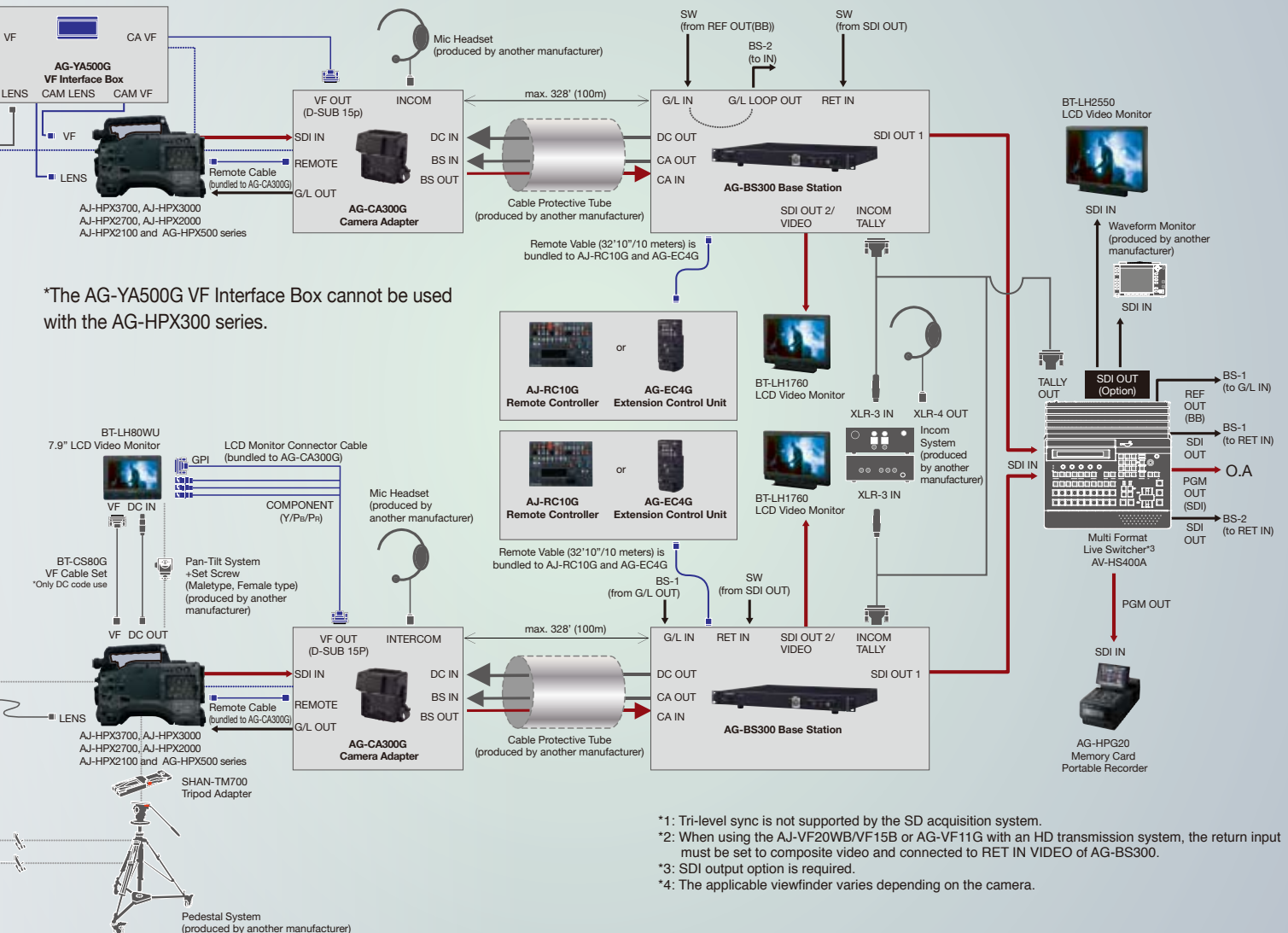
\*The products shown in this photograph are under development and may differ from the final products.

# AG-HPX300 series Camera Studio System for HD/SD Recording



# Multi-Camera System for HD/SD Recording

\*This example shows a system for HD image acquisition.



\*The AG-YA500G VF Interface Box cannot be used with the AG-HPX300 series.

- \*1: Tri-level sync is not supported by the SD acquisition system.
- \*2: When using the AJ-VF20WB/VF15B or AG-VF11G with an HD transmission system, the return input must be set to composite video and connected to RET IN VIDEO of AG-BS300.
- \*3: SDI output option is required.
- \*4: The applicable viewfinder varies depending on the camera.

## SYSTEM OPTION

(As of August, 2009)



**BT-LH80WU**  
7.9\"/>



**AJ-RC10G**  
RCU (Remote Control Unit)  
with 32' (10 meters) remote control cable

**AJ-C10050G**  
Remote Control Cable (164'/50 meters)

\* Not available in some areas.  
\* Only functions that are supported by the camera can be controlled by the AJ-RC10G.

## OTHER MANUFACTURE'S PRODUCTS

**DC50V10-CE01PS-SC**  
(164'/50 meters)  
**DC100V10-CE01PS-SC**  
(328'/100 meters)

Power cord between AG-BS300 and AG-CA300G

Canare Electric CO., Ltd.  
<http://www.canare.co.jp/oversea/mainmenu.html>



# Specifications

[preliminary]

## AG-CA300G Camera Adaptor

Power Supply	Input: DC 24 V, 4 A DC 12V, 6 A Output: DC 13 V, 5 A
Weight:	Main unit: 3.0 lbs (1.35 kg) Battery plate: 0.3 lbs (150 g)
Dimensions (WxHxD):	6-11/16" x 5-3/4" x 4-3/16" (159 mm x 146 mm x 105 mm)
Output Connectors:	BS OUT (BNC x 1) GENLOCK OUT (BNC x 1) REMOTE (10 pin) INCOM (XLR x 1, 5 pin (female)) VF OUT (D-sub, 15 pin) RET OUT (BNC x 1) DC OUT (2 pin)
Input Connectors:	SDI IN (BNC x 1) BS IN (BNC x 1) DC IN (5 pin) RET CTRL (6 pin) BATTERY IN (2 pin)
Accessories:	REMOTE Cable, VF Cable, Battery Plate, Cable Strap

## AG-BS300 Base Station

Power Supply:	Input: AC 100 - 240 V, 50/60 Hz, 1.6 A - 0.6 A DC 12 V, 1.1 A Output: DC 13 V, 5 A DC 13V, 0.3A (Remote power)
Weight:	11.0 lbs (5.0 kg)
Dimensions (WxHxD):	17-1/16" x 1-3/4" x 14-3/16" (432 mm x 44 mm x 360 mm)
Output Connectors:	SDI OUT (BNC x 2) VIDEO OUT (BNC x 1) CA OUT (BNC x 1) GENLOCK LOOP OUT (BNC x 1) DC24V OUT (5 pin) INCOM (XLR x 1, 5 pin (female))

Input Connectors:	INCOM / TALLY (D-sub, 9 pin) CA IN (BNC x 1, from AG-CA300G) RET IN VIDEO (BNC x 1) GENLOCK IN (BNC x 1) DC 12V IN (XLR x 1, 4 pin ,SW) AC IN (AC INLET) REMOTE (10 pin)
Accessories:	AC Code, Rack Mount Adaptor

## AG-EC4G Extension Control Unit

Power Supply:	DC 12 V
Power Consumption:	25 W
Weight:	1.4 lbs (620 g)
Dimensions (WxHxD):	3-1/4" x 7-1/8" x 2-1/4" (82 mm x 180 mm x 56 mm) excluding Knobs
Input/Output Connectors:	CAM / BS (10 pin) VIDEO OUT (BNC x 1)
Accessories:	Remote Cable (10 pin, 32'/10 meters)

## AG-YA500G Viewfinder Interface BOX

Power Supply:	DC 5.6 V, DC - 5.6 V
Power Consumption:	0.7 W
Weight:	1.0 lbs (450 g)
Dimensions (WxHxD):	4-9/16" x 2-3/8" x 1-5/8" (115 mm x 60 mm x 41 mm) excluding protruding parts
Input/Output Connectors:	LENS (12 pin) CAM LENS (12 pin) CAM VF (20 pin) VF (20 pin) CA VF (D-sub 15 pin)
Accessories:	Mounting Bracket x 1, Mounting Screws

Weight and dimensions shown are approximate.  
Specifications are subject to change without notice.

# Panasonic®

### [Countries and Regions]

**Panasonic Corporation**  
**Systems Business Group**  
2-15 Matsuba-cho, Kadoma, Osaka 571-8503  
Japan  
Phone +81 6 6901 1161 Fax +81 6 6908 5969  
<https://www.pavc.panasonic.co.jp/pro-av/>

Argentina	+54 1 308 1610
Australia	+61 2 9986 7400
Bahrain	+973 252292
Belgium	+32 (0) 2 481 04 57
Bulgaria	+359 2 946 0786
Brazil	+55 11 3889 4035
Canada	+1 905 624 5010
China	+86 10 6515 8828
(Hong Kong	+852 2313 0888)
Czech Republic	+420 236 032 552/511
Denmark	+45 43 20 08 57
Egypt	+20 2 23938151
Finland, Latvia, Lithuania, Estonia	+358 (9) 521 52 53
France	+33 (0) 1 55 93 66 67
Germany, Austria	+49 (0) 611 235 401
Greece	+30 210 98 92 300
Hungary	+36 (1) 382 60 60
India	+91 11 2437 9961 to 4
Indonesia	+62 21 385 9449
Iran (Vida)	+98 21 2271463
(Panasonic Office)	+98 2188791102
Italy	+39 02 6788 367
Jordan	+962 6 5859801
Kazakhstan	+7 727 298 0891
Korea	+82 2 2106 6641

Kuwait	+96 522431385
Lebanon	+96 11665557
Malaysia	+60 3 7809 7888
Mexico	+52 55 5488 1000
Montenegro, Serbia	+41 (0) 26 466 25 20
Netherlands	+31 73 64 02 577
New Zealand	+64 9 272 0100
Norway	+47 67 91 78 00
Pakistan	+92 5370320 (SNT)
Palestine	+972 2 2988750
Panama	+507 229 2955
Peru	+51 1 614 0000
Philippines	+63 2 633 6162
Poland	+48 (22) 338 1100
Portugal	+351 21 425 77 04
Puerto Rico	+1 787 750 4300
Romania	+40 21 211 4855
Russia & CIS	+7 095 980 4206
Saudi Arabia	+96 626444072
Singapore	+65 6270 0110
Slovak Republic	+421 (0) 2 52 92 14 23
Slovenia, Croatia, Bosnia, Macedonia	+44 (0) 20 76 63 36 57
South Africa	+27 11 3131622
Spain	+34 (93) 425 93 00
Sweden	+46 (8) 680 26 41

Switzerland	+41 (0) 41 259 96 32
Syria	+963 11 2318422/4
Taiwan	+886 2 2227 6214
Thailand	+66 2 731 8888
Turkey	+90 216 578 3700
U.A.E. (for all Middle East)	+971 4 8862142
Ukraine	+380 44 4903437
U.K	+44 (0)1344 70 69 20
U.S.A.	+1 201 348 5300
Vietnam	+848 38370280



Factories of Systems Business Group have received ISO14001:2004-the Environmental Management System certification. (Except for 3rd party's peripherals.)

