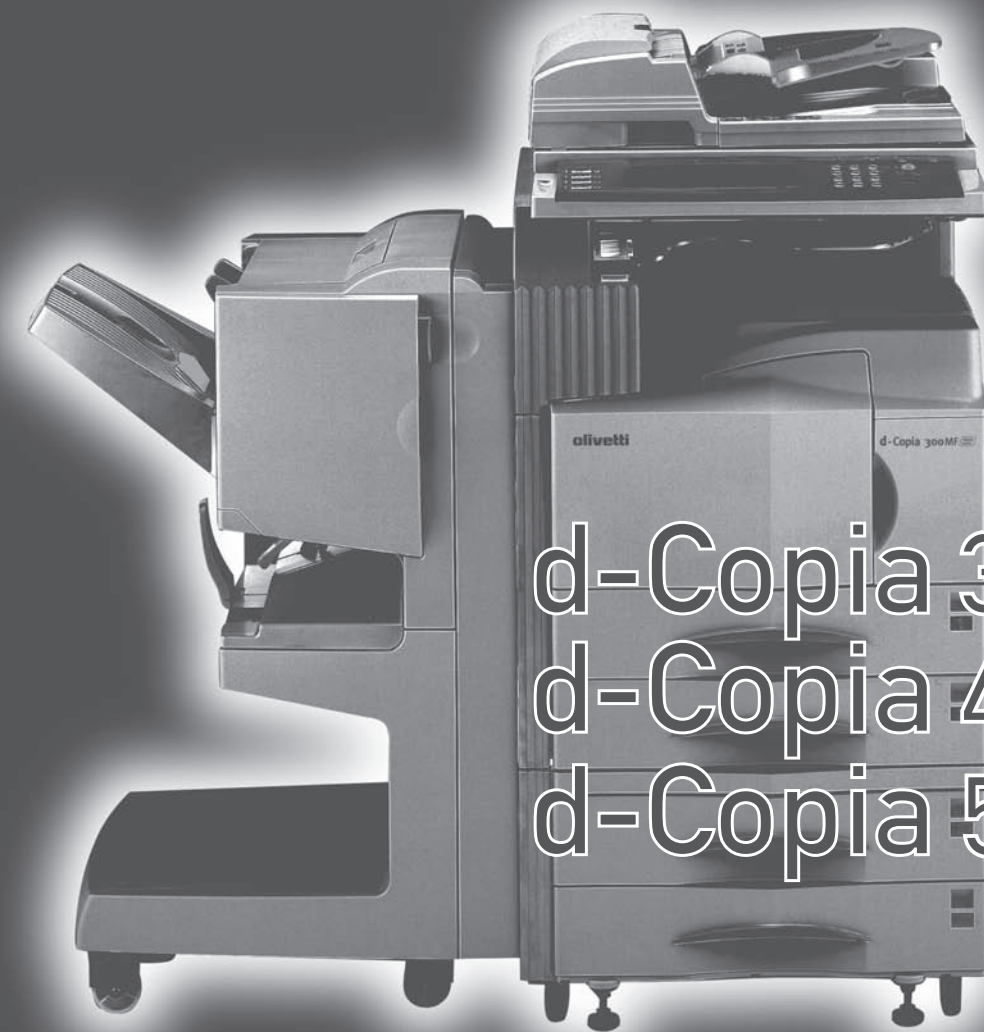


olivetti



d-Copia 300MF
d-Copia 400MF
d-Copia 500MF

USER MANUAL
GUIDE DE L'UTILISATEUR

—

|

|

|

|

—

—

|

|

|

|

—

USER MANUAL

d-Copia 300MF

d-Copia 400MF

d-Copia 500MF



Please read the operation guide before using the copier.
Keep it close to the copier for easy reference.

olivetti

PUBLICATION ISSUED BY:

Olivetti S.p.A.

Gruppo Telecom Italia


Via Jervis, 77 - 10015 Ivrea (ITALY)

www.olivetti.com

Copyright © 2006, Olivetti

All rights reserved

July 2006

The  mark affixed to the product certifies that the product satisfies the basic quality requirements.



The manufacturer reserves the right to carry out modifications to the product described in this manual at any time and without any notice.



ENERGY STAR

ENERGY STAR is a U.S. registered mark.

The ENERGY STAR program is an energy reduction plan introduced by the United States Environmental Protection Agency in response to environmental issues and for the purpose of advancing the development and utilization of more energy efficient office equipment.

Your attention is drawn to the following actions which could compromise the conformity attested to above, as well as the characteristics of the product:

- incorrect electrical power supply;
 - incorrect installation, incorrect or improper use or use not in compliance with the warnings provided in the User's Manual supplied with the product;
 - replacement of original components or accessories with others of a type not approved by the manufacturer, or performed by unauthorised personnel.
-

Legal and Safety Information

Please read this information before using your machine. This chapter provides information on the following topics.

- Legal Information..... ii
- Regarding Trade Names iii
- Energy Star (ENERGY STAR®) Program..... vi
- Safety Conventions in This Guide vii
- Caution Labels viii
- Installation Precautions ix
- Precautions for Use..... xi
- Laser Safety xiv
- Safety Instructions Regarding the Disconnection of
Power xv

Legal Information

Copying or other reproduction of all or part of this guide without the prior written consent of Olivetti S.p.A. Corporation is prohibited.

Legal Restriction on Copying/Scanning

- It may be prohibited to copy/scan copyrighted material without permission of the copyright owner.
- It is prohibited under any circumstances to copy/scan domestic or foreign currencies.
- Local laws and regulations may prohibit or restrict copying/scanning of other items not mentioned above.

Regarding Trade Names

- KPD L is a trademark of Kyocera Corporation.
- Microsoft, MS-DOS, Windows, Windows NT and Internet Explorer are registered trademarks of Microsoft Corporation in the U.S.A. and/or other countries.
- Windows Me and Window XP are trademarks of Microsoft Corporation.
- PCL is a trademark of Hewlett-Packard Company.
- Adobe Acrobat, Adobe Reader and PostScript are trademarks of Adobe Systems, Incorporated.
- Ethernet is a registered trademark of Xerox Corporation.
- Novell and NetWare are registered trademarks of Novell, Inc.
- Centronics is a trademark of Centronics Data Computer Corporation.
- IBM and IBM PC/AT are trademarks of International Business Machines Corporation.
- Power PC is a trademark of IBM in the U.S.A. and/or other countries.
- AppleTalk is a registered trademark of Apple Computer, Inc.
- CompactFlash and CF are trademarks of SanDisk, Inc.
- PC-PR201/65A is a product of NEC Corporation.
- VP-1000 is a product of Seiko Epson Corporation.
- This machine has been developed using embedded real-time operating system Tornado™ by Wind River Systems, Inc.
- PCL6, a command language of HP LaserJet emulated by this machine, is using the compatible system PeerelessPrintXL developed by Peerless Systems Corporation. PeerelessPrintXL is a trademark of Peerless Systems Corporation (2381 Rosecrans Ave. ElSegundo, CA 90245, U.S.A.).
- TrueType is a registered trademark of Apple Computer, Inc.
- DFHSGOTHIC-W5 and DFHSMINCHO-W3 are Heisei fonts. Kyocera Mita Corporation is using these fonts under agreements with the Japanese Standards Association. Any form of reproduction of these fonts without prior consent of Kyocera Mita Corporation is prohibited.
- Heisei fonts have been developed by the working groups in collaboration with the Japanese Standards Association. Reproduction of these fonts without permission is prohibited.
- TypeBankG-B, TypeBankM-M and Typebank-OCR are trademarks of TypeBank®.
- All European language fonts installed in this machine are used under licensing agreement with Monotype Imaging Inc.
- Helvetica, Palatino and Times are registered trademarks of Linotype-Hell AG.
- ITC Avant Garde Gothic, ITC Bookman, ITC ZapfChancery and ITC ZapfDingbats are registered trademarks of International Type-face Corporation.

- UFST™ MicroType® fonts by Monotype Imaging Inc. are installed in this machine.
- This machine contains the NF module developed by ACCESS Co., Ltd.
- This machine contains the software having modules developed by Independent JPEG Group.

All other brands and product names are registered trademarks or trademarks of their respective companies. The designations ™ and ® will not be used in this Operation Guide.

Monotype Imaging License Agreement

- 1** *Software* shall mean the digitally encoded, machine readable, scalable outline data as encoded in a special format as well as the UFST Software.
- 2** You agree to accept a non-exclusive license to use the Software to reproduce and display weights, styles and versions of letters, numerals, characters and symbols (*Typefaces*) solely for your own customary business or personal purposes at the address stated on the registration card you return to Monotype Imaging. Under the terms of this License Agreement, you have the right to use the Fonts on up to three printers. If you need to have access to the fonts on more than three printers, you need to acquire a multi-user license agreement which can be obtained from Monotype Imaging. Monotype Imaging retains all rights, title and interest to the Software and Typefaces and no rights are granted to you other than a License to use the Software on the terms expressly set forth in this Agreement.
- 3** To protect proprietary rights of Monotype Imaging, you agree to maintain the Software and other proprietary information concerning the Typefaces in strict confidence and to establish reasonable procedures regulating access to and use of the Software and Typefaces.
- 4** You agree not to duplicate or copy the Software or Typefaces, except that you may make one backup copy. You agree that any such copy shall contain the same proprietary notices as those appearing on the original.
- 5** This License shall continue until the last use of the Software and Typefaces, unless sooner terminated. This License may be terminated by Monotype Imaging if you fail to comply with the terms of this License and such failure is not remedied within thirty (30) days after notice from Monotype Imaging. When this License expires or is

terminated, you shall either return to Monotype Imaging or destroy all copies of the Software and Typefaces and documentation as requested.

- 6** You agree that you will not modify, alter, disassemble, decrypt, reverse engineer or decompile the Software.
- 7** Monotype Imaging warrants that for ninety (90) days after delivery, the Software will perform in accordance with Monotype Imaging-published specifications, and the diskette will be free from defects in material and workmanship. Monotype Imaging does not warrant that the Software is free from all bugs, errors and omissions.

The parties agree that all other warranties, expressed or implied, including warranties of fitness for a particular purpose and merchantability, are excluded.
- 8** Your exclusive remedy and the sole liability of Monotype Imaging in connection with the Software and Typefaces is repair or replacement of defective parts, upon their return to Monotype Imaging.

In no event will Monotype Imaging be liable for lost profits, lost data, or any other incidental or consequential damages, or any damages caused by abuse or misapplication of the Software and Typefaces.
- 9** Massachusetts U.S.A. law governs this Agreement.
- 10** You shall not sublicense, sell, lease, or otherwise transfer the Software and/or Typefaces without the prior written consent of Monotype Imaging.
- 11** Use, duplication or disclosure by the Government is subject to restrictions as set forth in the Rights in Technical Data and Computer Software clause at FAR 252-227-7013, subdivision (b)(3)(ii) or subparagraph (c)(1)(ii), as appropriate. Further use, duplication or disclosure is subject to restrictions applicable to restricted rights software as set forth in FAR 52.227-19 (c)(2).
- 12** You acknowledge that you have read this Agreement, understand it, and agree to be bound by its terms and conditions. Neither party shall be bound by any statement or representation not contained in this Agreement. No change in this Agreement is effective unless written and signed by properly authorized representatives of each party. By opening this diskette package, you agree to accept the terms and conditions of this Agreement.

Energy Star (ENERGY STAR®) Program

We have determined as a participating company in the International Energy Star Program that this machine is compliant with the standards laid out in the International Energy Star Program.



About the International Energy Star Program

International Energy Star Program has as its basic goals the promotion of efficient energy use and the reduction of the environmental pollution that accompanies energy consumption by promoting the manufacture and sale of products that fulfill program standards.

International Energy Star Program standards require that multi-function machines come equipped with a Low Power Mode where energy consumption is reduced after a certain amount of time elapses since the machine was last used, as well as an Off Mode where the machine automatically turns itself off after there is no activity within a set amount of time. When the machine includes printer and fax functions, the printer and fax must enter a Low Power Mode where power consumption is automatically reduced after a certain amount of time elapses since they were last used, and they must also support a Sleep Mode where power consumption is reduced to a minimum when there is not activity within a set amount of time.

This machine is equipped with the following features as a result of its compliance with International Energy Star Program standards.

This machine has a Sleep Mode only to attain further savings of energy.

Sleep

The machine automatically enters Sleep when 15 minutes have passed since the machine was last used. The amount of time of no activity that must pass before Sleep is activated may be lengthened. For more information refer to *Sleep and Auto Sleep on page 3-4*.

Automatic 2-Sided Copy Functions

The Energy Star Program encourages the use of 2-sided copying which reduces the load on the environment and this machine includes 2-sided copying as a standard function. For example, by copying two 1-sided originals onto a single sheet of paper as a 2-sided copy, it is possible to lower the amount of paper used. For more information refer to *Duplex Copying on page 3-13*.

Paper Recycling

The Energy Star Program encourages the use of environmentally friendly recycled paper. Your sales or service representative can provide information about recommended paper types.

Safety Conventions in This Guide

The sections of this guide and parts of the machine marked with symbols are safety warnings meant to protect the user, other individuals and surrounding objects, and ensure correct and safe usage of the machine. The symbols and their meanings are indicated below.



WARNING: Indicates that serious injury or even death may result from insufficient attention to or incorrect compliance with the related points.



CAUTION: Indicates that personal injury or mechanical damage may result from insufficient attention to or incorrect compliance with the related points.

Symbols

The \triangle symbol indicates that the related section includes safety warnings. Specific points of attention are indicated inside the symbol.



.... [General warning]



.... [Warning of danger of electrical shock]



.... [Warning of high temperature]

The \odot symbol indicates that the related section includes information on prohibited actions. Specifics of the prohibited action are indicated inside the symbol.



.... [Warning of prohibited action]



.... [Disassembly prohibited]

The \bullet symbol indicates that the related section includes information on actions which must be performed. Specifics of the required action are indicated inside the symbol.



.... [Alert of required action]



.... [Remove the power plug from the outlet]



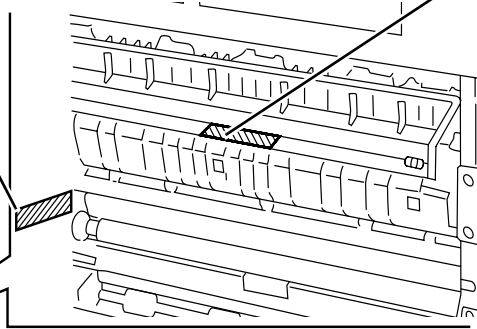
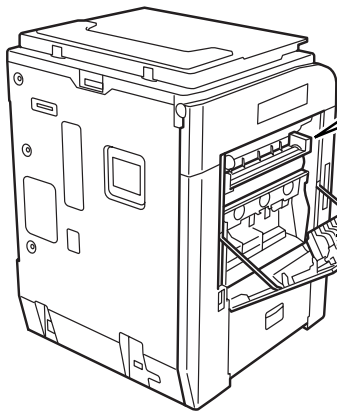
.... [Always connect the machine to an outlet with a ground connection]

Please contact your service representative to order a replacement if the safety warnings in this Operation Guide are illegible or if the guide itself is missing (fee required).

Caution Labels

Caution labels have been attached to the machine at the following locations for safety purposes. Be sufficiently careful to avoid fire or electric shock when removing a paper jam or when replacing toner.

The area indicated in the label carries high voltage. Never touch parts in this area, because there is a danger of electric shock.



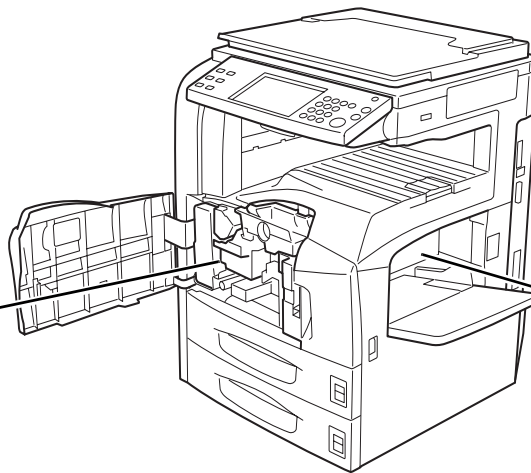
The area indicated in the label carries high temperature. Do not touch parts in this area, because there is a danger of getting burned.



The area indicated in the label carries high temperature. Do not touch parts in this area, because there is a danger of getting burned.



Do not attempt to incinerate the toner container or the waste toner box. Dangerous sparks may cause burns.



Moving parts inside. Do not touch parts in this area, because there is a danger of injury.



NOTE: Do not remove these labels.

Installation Precautions

Environment

CAUTION

Avoid placing the machine on or in locations which are unstable or not level. Such locations may cause the machine fall down or fall over. This type of situation presents a danger of personal injury or damage to the machine.



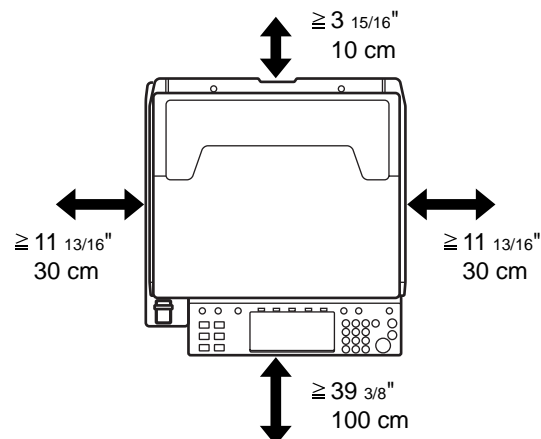
Avoid locations with humidity or dust and dirt. If dust or dirt become attached to the power plug, clean the plug to avoid the danger of fire or electrical shock.



Avoid locations near radiators, heaters or other heat sources, or locations near flammable items to avoid the danger of fire.



To keep the machine cool and facilitate changing of parts and maintenance, allow access space as shown below. Leave adequate space, especially around the rear cover, to allow air to be properly ventilated out of the machine.



Other precautions

Adverse environment conditions may affect the safe operation and performance of the machine. Install in an air-conditioned room and avoid the following locations when selecting a site for the machine.

- Avoid locations near a window or with exposure to direct sunlight.
- Avoid locations with vibrations.
- Avoid locations with drastic temperature fluctuations.
- Avoid locations with direct exposure to hot or cold air.
- Avoid poorly ventilated locations.

If the floor is delicate against casters, when this machine is moved after installation, the floor material may be damaged.

During copying, some ozone is released, but the amount does not cause any ill effect to one's health. If, however, the machine is used over a long period of time in a poorly ventilated room or when making an extremely large number of copies, the smell may become unpleasant. To maintain the appropriate environment for copy work, it is suggested that the room be properly ventilated.

Power supply/Grounding the machine

WARNING

Do not use a power supply with a voltage other than that specified. Avoid multiple connections in the same outlet. These types of situations present a danger of fire or electrical shock.



Plug the power cord securely into the outlet. If metallic objects come into contact with the prongs on the plug, it may cause a fire or electric shock.



Always connect the machine to an outlet with a ground connection to avoid the danger of fire or electrical shock in case of an electric short. If an earth connection is not possible, contact your service representative.



Other precautions

Connect the power plug to the closest outlet possible to the machine.

Handling of plastic bags

WARNING

Keep the plastic bags that are used with the machine away from children. The plastic may cling to their nose and mouth causing suffocation.



Precautions for Use

Cautions when using the machine

WARNING

Do not place metallic objects or containers with water (flower vases, flower pots, cups, etc.) on or near the machine. This type of situation presents a danger of fire or electrical shock should they fall inside.



Do not remove any of the covers from the machine as there is a danger of electrical shock from high voltage parts inside the machine.



Do not damage, break or attempt to repair the power cord. Do not place heavy objects on the cord, pull it unnecessarily or cause any other type of damage. These types of situations present a danger of fire or electrical shock.



Never attempt to repair or disassemble the machine or its parts as there is a danger of fire, electrical shock or exposure to the laser. If the laser beam escapes, there is a danger of it causing blindness.



If the machine becomes excessively hot, smoke appears from the machine, there is an odd smell, or any other abnormal situation occurs, there is a danger of fire or electrical shock. Turn the main power switch off immediately, be absolutely certain to remove the power plug from the outlet and then contact your service representative.



If anything harmful (paper clips, water, other fluids, etc.) falls into the machine, turn the main power switch off immediately. Next, be absolutely certain to remove the power plug from the outlet to avoid the danger of fire or electrical shock. Then contact your service representative.



Do not remove or connect the power plug with wet hands, as there is a danger of electrical shock.



Always contact your service representative for maintenance or repair of internal parts.



 **CAUTION**

Do not pull the power cord when removing it from the outlet. If the power cord is pulled, the wires may become broken and there is a danger of fire or electrical shock. (Always grasp the power plug when removing the power cord from the outlet.)



Always remove the power plug from the outlet when moving the machine. If the power cord is damaged, there is a danger of fire or electrical shock.



Always hold the designated parts only when lifting or moving the machine.



For safety purposes, always remove the power plug from the outlet when performing cleaning operations.



If dust accumulates within the machine, there is a danger of fire or other trouble. It is therefore recommended that you consult with your service representative in regard to cleaning of internal parts. This is particularly effective if accomplished prior to seasons of high humidity. Consult with your service representative in regard to the cost of cleaning the internal parts of the machine.



Other precautions

Do not place heavy objects on the machine or cause other damage to the machine.

During the use, do not

- Open the front cover,
- Turn off the main power switch,
- Pull out the power plug.

When lifting or moving the machine, contact your service representative.

Do not touch electrical parts, such as connectors or printed circuit boards. They could be damaged by static electricity.

Do not attempt to perform any operations not explained in this guide.

Do not look directly at the light from the scanning lamp as it may cause your eyes to feel tired or painful.

This machine comes equipped with an HDD (hard disk drive). Do not attempt to move the machine while the power is still on. Since any resulting shock or vibration may cause damage to the hard disk, be sure to turn off the power before attempting to move the machine.

Cautions when handling consumables

CAUTION

Do not attempt to incinerate the toner container or the waste toner box. Dangerous sparks may cause burns.



Keep the toner container and the waste toner box out of the reach of children.



If toner happens to spill from the toner container or the waste toner box, avoid inhalation and ingestion, as well as contact with your eyes and skin.



- If you do happen to inhale toner, move to a place with fresh air and gargle thoroughly with a large amount of water. If coughing develops, contact a physician.
- If you do happen to ingest toner, rinse your mouth with water and drink 1 or 2 cups of water to dilute the contents of your stomach. If necessary, contact a physician.
- If you do happen to get toner in your eyes, flush them thoroughly with water. If there is any remaining tenderness, contact a physician.
- If toner does happen to get on your skin, wash with soap and water.

Do not attempt to force open or destroy the toner container or the waste toner box.



If the optional Fax kit is installed and the main power switch is off, transmitting/receiving Fax is disabled. Do not turn off the main power switch, but press the **Power** key on the operation panel to enter Sleep mode.

Other precautions

Return the exhausted toner container and waste toner box to your dealer or service representative. The collected toner container and waste toner box will be recycled or disposed in accordance with the relevant regulations.

Store the machine while avoiding exposure to direct sunlight.

Store the machine in a place where the temperature stays below 40°C while avoiding sharp changes of temperature and humidity.

If the machine will not be used for an extended period of time, remove the paper from the cassette and the Multi Purpose (MP) Tray, return it to its original package and reseal it.

Laser Safety

Laser radiation could be hazardous to the human body. For this reason, laser radiation emitted inside this machine is hermetically sealed within the protective housing and external cover. In the normal operation of the product by user, no radiation can leak from the machine.

This machine is classified as Class 1 laser product under IEC 60825.

Caution: Performance of procedures other than those specified in this manual may result in hazardous radiation exposure.

These labels are attached to the laser scanner unit inside the machine and are not in a user access area.

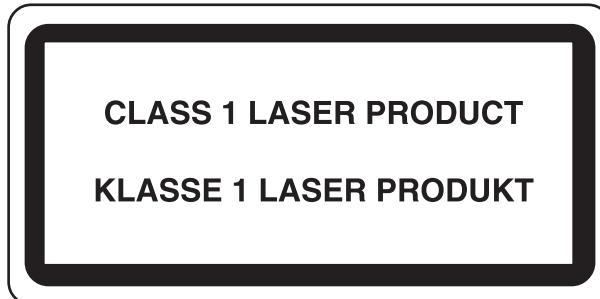
DANGER	· LASER RADIATION WHEN OPEN. · AVOID DIRECT EXPOSURE TO BEAM.
ATTENTION	· RAYONNEMENT LASER EN CAS D'OUVERTURE. · EXPOSITION DANGEREUSE AU FAISCEAU.
VORSICHT	· LASERSTRAHLUNG, WENN ABDECKUNG GEÖFFNET. · NICHT DEM STRAHL AUSSETZEN.
ATTENZIONE	· RADIAZIONE LASER IN CASO DI APERTURA. · EVITARE L'ESPOSIZIONE AL FASCIO.
PRECAUCION	· RADIACIONE LASER CUANDO SE ABRE. · EVITAR EXPONERSE AL RAYO.
VARO!	· AVATTAESSA OLET ALTTIINA LASERSÄTEILYLLE. · ÄLÄ KATSO SÄTEESEEN.

 **警告** · このカバーの内部ではレーザー光が放射されています。レーザー光にさらされないようにしてください。

警告 · 开盖时, 可能有激光外溢! 应避免激光直接照射。

警告 · 内部雷射放射中, 請勿隨意打開蓋子。

The label shown below is attached on the right side of the machine.



Safety Instructions Regarding the Disconnection of Power

Caution: The power plug is the main isolation device! Other switches on the equipment are only functional switches and are not suitable for isolating the equipment from the power source.

VORSICHT: Der Netzstecker ist die Hauptisoliervorrichtung! Die anderen Schalter auf dem Gerät sind nur Funktionsschalter und können nicht verwendet werden, um den Stromfluß im Gerät zu unterbrechen.



DECLARATION OF CONFORMITY

TO

89/336/EEC, 73/23/EEC, 93/68/EEC and 1995/5/EC

We declare under our sole responsibility that the product to which this declaration relates is in conformity with the following specifications.

EN55024

EN55022 Class B

EN61000-3-2

EN61000-3-3

EN60950

EN60825-1

EN300330-1

EN300330-2

Radio Frequency Transmitter

This machine contains the transmitter module. We, the manufacturer hereby declare that this equipment is in compliance with the essential requirements and other relevant provisions of Directive 1999/5/EC.

Radio Tag Technology

In some countries the radio tag technology used in this equipment to identify the toner container may be subject to authorization and the use of this equipment may consequently be restricted.

About this Operation Guide

This Operation Guide contains the following chapters.

Chapter 1 - Part Names

Identifies machine parts and operation panel keys.

Chapter 2 - Preparation before Use

Explains adding paper, placing original, connecting the machine, and necessary configurations before first use.

Chapter 3 - Basic Operation

Describes the procedures for basic copying, printing and scanning.

Chapter 4 - Optional Equipment

Introduces the convenient optional equipment available for this machine.

Chapter 5 - Maintenance

Describes cleaning and toner replacement.

Chapter 6 - Troubleshooting

Explains how to handle error messages, paper jams and other problems.

Appendix

Explains how to enter characters, and lists the machine specifications.

Included Guides

The following guides are supplied with the machine. Refer to them as necessary.

Operation Guide (This Guide)

Describes how to load paper, basic copy, print and scan operations, and troubleshooting.

Advanced Operation Guide

Explains copying, printing and scanning features in depth, as well as default settings.

Conventions in This Guide

The following conventions are used depending on the nature of the description.

Convention	Description	Example
Bold	Indicates the operation panel key or a computer screen.	Press the Start key.
[Regular]	Indicates the touch panel keys.	Press [OK].
<i>Italic</i>	Indicates the message displayed on the touch panel.	<i>Ready to copy</i> is displayed.
	Used to emphasize a key word, phrase or references to additional information.	For more information refer to <i>Sleep and Auto Sleep on page 3-4</i> .
Note	Indicates supplemental information or operations for reference.	NOTE: _____ _____
Important	Indicates items that are required or prohibited so as to avoid problems.	IMPORTANT: _____ _____
Caution	Indicates what must be observed to prevent injury or machine breakdown and how to deal with it.	CAUTION: _____ _____

Description of Operation Procedure

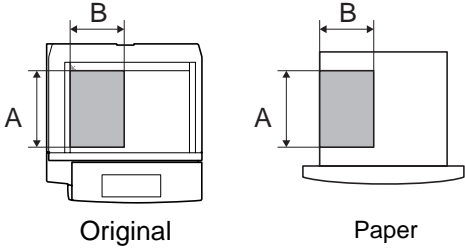
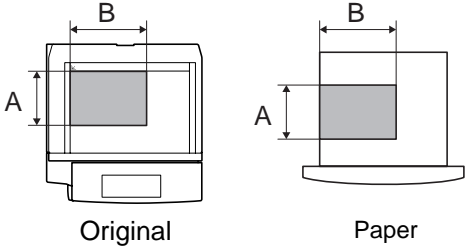
In this Operation Guide, the continuous operation of the keys on the touch panel is as follows:

Actual procedure	Description in this Operation Guide
Press [Copy]. ▼ Press [Next] of <i>Quick Setup</i> . ▼ Press [▼] twice. ▼ Press [Change] of <i>Original Image</i> .	Press [Copy], [Next] of <i>Quick Setup</i> , [▼] twice, and then [Change] of <i>Original Image</i> .

Originals and Paper Sizes

This section explains the notation used in this guide when referring to sizes of originals or paper sizes.





As in A4, B5 and Letter, which may be used either in the horizontal or vertical direction, horizontal direction is indicated by an additional R character in order to indicate the orientation of the original/paper.

Set direction	Indicated size *
<p>Vertical direction</p>  <p>Original Paper</p> <p>For original/paper, dimension A is longer than B.</p>	<p>A4, B5, A5, B6, A6, 16K, Letter, Statement</p>
<p>Horizontal direction</p>  <p>Original Paper</p> <p>For original/paper, dimension A is shorter than B.</p>	<p>A4-R, B5-R, A5-R, B6-R, A6-R, 16K-R, Letter-R, Statement-R</p>

* The size of original/paper that can be used depends on the function and source tray. For further details, refer to the page detailing that function or source tray.

Icons on the Touch Panel

The following icons are used to indicate originals and paper set directions on the touch panel.

Set direction	Originals	Paper
Vertical direction		
Horizontal direction		

Contents

Legal and Safety Information

About this Operation Guide

1	Part Names	
	Machine	1-2
	Operation Panel	1-5
	Touch Panel	1-6
2	Preparation before Use	
	Determining Connection Method and Preparing Cables	2-3
	Connecting Cables	2-5
	Setting Date and Time	2-8
	Configuring Network (LAN Cable Connection)	2-10
	Installing Software	2-12
	Selecting Default Screen (Optional)	2-13
	Changing Language (Optional)	2-14
	Loading Paper	2-15
	Loading Originals	2-25
3	Basic Operation	
	Power On/Off	3-2
	Sleep and Auto Sleep	3-4
	Adjusting Operation Panel Angle	3-5
	Touch Panel Display	3-6
	Copying	3-7
	Printing - Printing from Applications	3-18
	Sending	3-20
	Specifying Destination	3-34
	Using Document Box	3-37
	Printing a Document Stored in Removable USB Memory	3-48
	Canceling/Viewing/Changing Job	3-50
	Checking Remaining Toner and Paper	3-54
	Quick Setup Screen	3-55
4	Optional Equipment	
	Overview of Optional Equipment	4-2
	Document Processor	4-4
	Paper Feeder	4-4
	3000 Sheet Paper Feeder	4-5
	Built-in Finisher	4-5
	Document Finisher	4-9
	3000 Sheet Document Finisher	4-9
	Job Separator	4-10
	Document Table	4-10
	Key Counter	4-11
	Fax Kit	4-12
	Data Backup Kit	4-12
	Security Kit (USB Key)	4-13
	Serial Interface	4-13

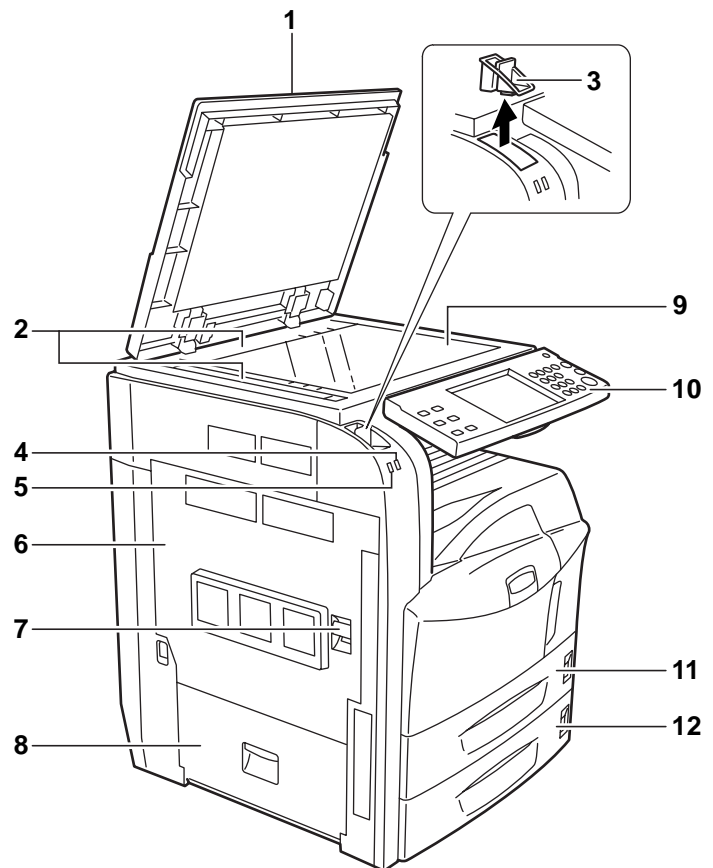
	PDF Upgrade Kit (USB Key)	4-14
5	Maintenance	
	Cleaning	5-2
	Toner Container and Waste Toner Box Replacement	5-7
6	Troubleshooting	
	Solving Malfunctions	6-2
	Responding to Error Messages	6-4
	Clearing Paper Jams	6-10
	Appendix	
	Character Entry Method	Appendix-2
	Specifications	Appendix-6
	Index	

1 Part Names

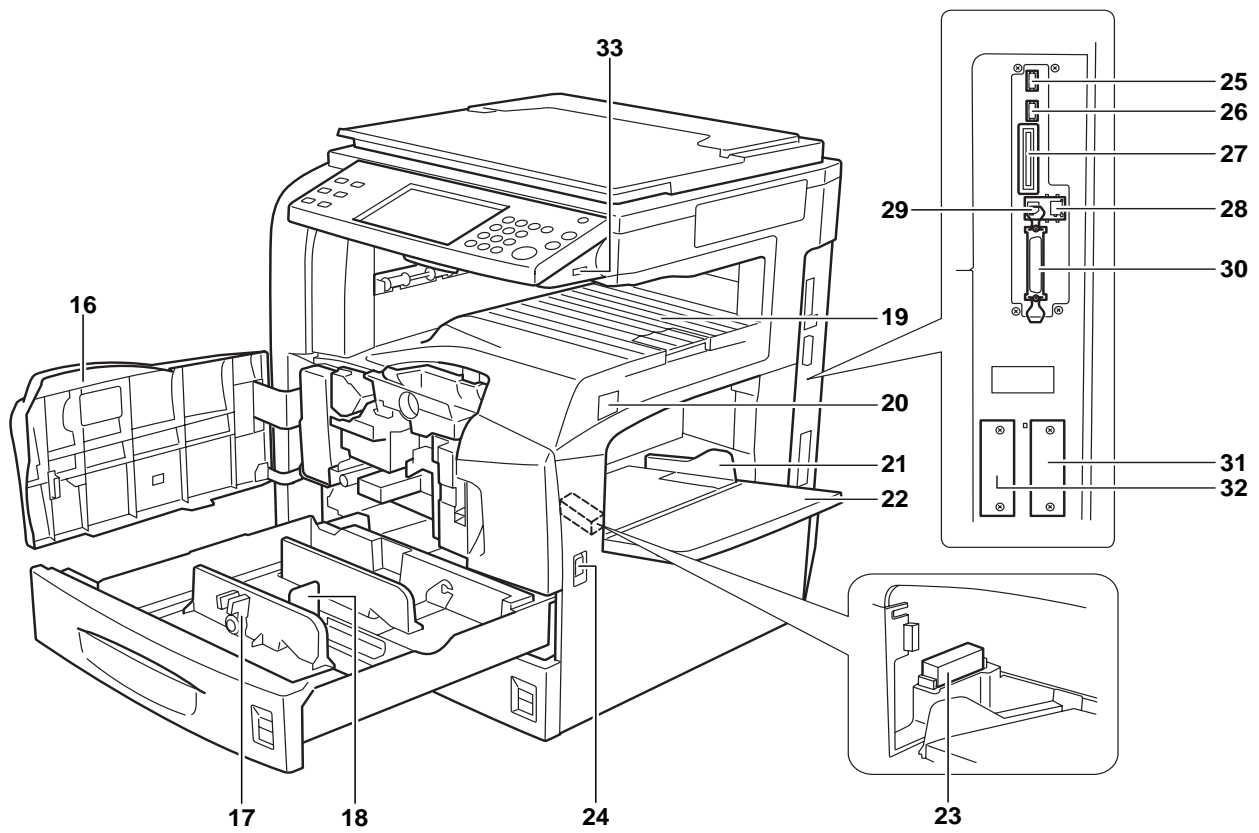
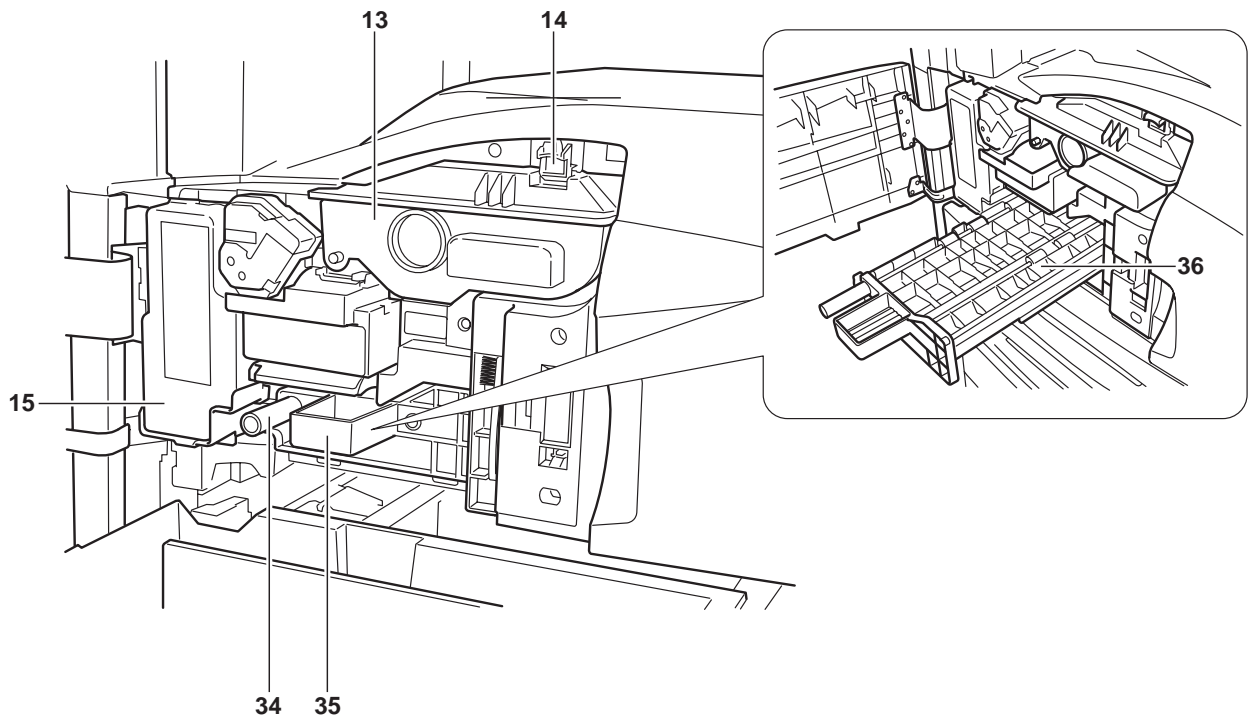
This chapter identifies the machine parts and operation panel keys.

- Machine..... 1-2
- Operation Panel 1-5
- Touch Panel..... 1-6

Machine

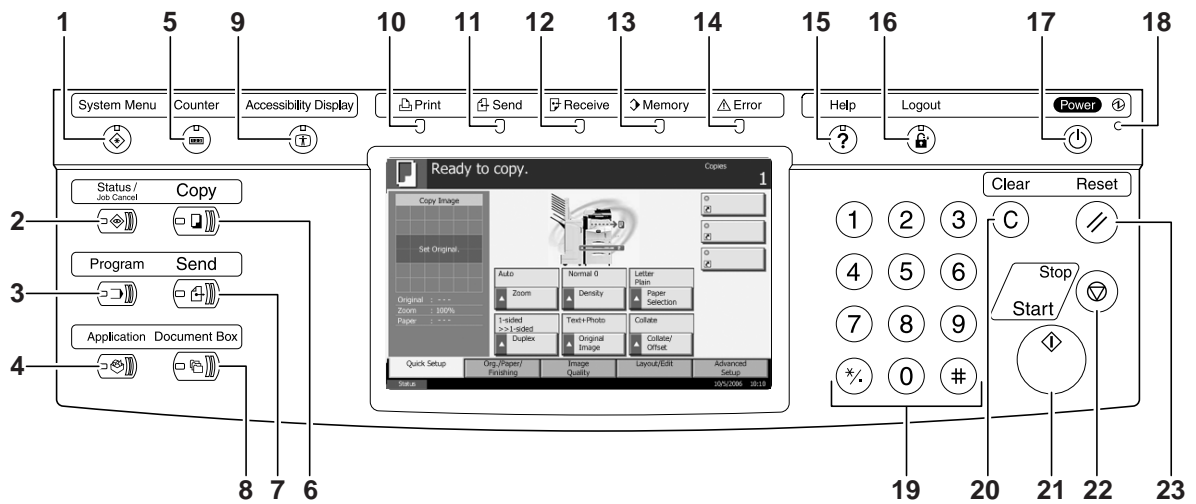


- 1** Original Cover (Option)
- 2** Original Size Indicator Plates
- 3** Clip Holder
- 4** Receive Indicator ... Blinks while data is received
- 5** Error Indicator ... Blinks when an error occurs and the job is stopped
- 6** Left Cover 1
- 7** Left Cover 1 Lever
- 8** Left Cover 2
- 9** Platen
- 10** Operation Panel
- 11** Cassette 1
- 12** Cassette 2



- 13** Toner Container
- 14** Toner Container Stopper
- 15** Waste Toner Box
- 16** Front Cover
- 17** Paper Width Adjusting Tab
- 18** Length Adjustment Plate
- 19** Top Tray
- 20** Main Power Switch
- 21** Paper Width Guides
- 22** Multi Purpose (MP) Tray
- 23** Memory Card Cover Holder
- 24** Handles
- 25** USB Memory Slot (A2)
- 26** USB Memory Slot (A3)
- 27** Memory Card Slot
- 28** Network Interface Connector
- 29** USB Interface Connector
- 30** Parallel Interface Connector
- 31** Option Interface Slot (OPT1)
- 32** Option Interface Slot (OPT2)
- 33** USB Memory Slot (A1)
- 34** Green Knob (A1)
- 35** Paper Feed Unit (A2)
- 36** Paper Feed Unit Cover (A2)

Operation Panel



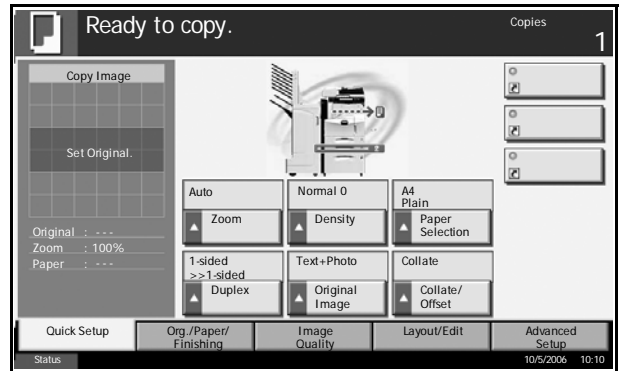
- 1 **System Menu** Key/Indicator
- 2 **Status/Job Cancel** Key/Indicator
- 3 **Program** Key/Indicator
- 4 **Application** Key
- 5 **Counter** Key/Indicator
- 6 **Copy** Key/Indicator
- 7 **Send** Key/Indicator
- 8 **Document Box** Key/Indicator
- 9 **Accessibility Display** Key/Indicator
- 10 **Print** Indicator ... Blinks during printing operation
- 11 **Send** Indicator ... Blinks while data is transmitted
- 12 **Receive** Indicator ... Blinks while data is received
- 13 **Memory** Indicator ... Blinks while the machine is accessing to hard disk, fax memory, Data Backup Kit (Option) or USB memory (general-purpose item)
- 14 **Error** Indicator ... Blinks when an error occurs and the job is stopped
- 15 **Help** Key/Indicator
- 16 **Logout** Key/Indicator
- 17 **Power** Key
- 18 **Main Power** Indicator
- 19 **Numeric** Keys
- 20 **Clear** Key
- 21 **Start** Key/Indicator
- 22 **Stop** Key
- 23 **Reset** Key

Touch Panel

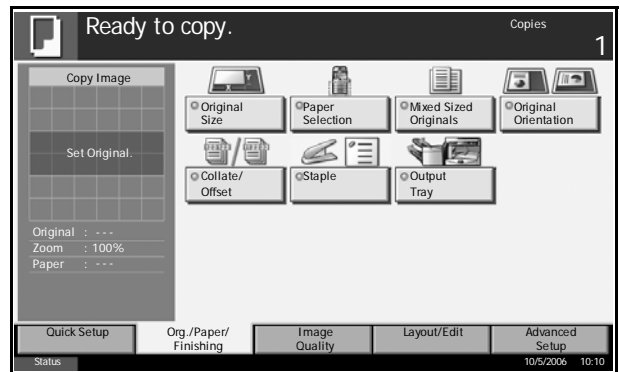
Copy Screen

Press Copy to access this screen.

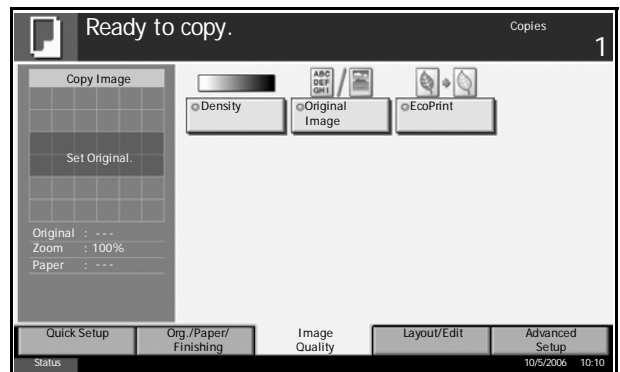
- 1 [Quick Setup] Screen



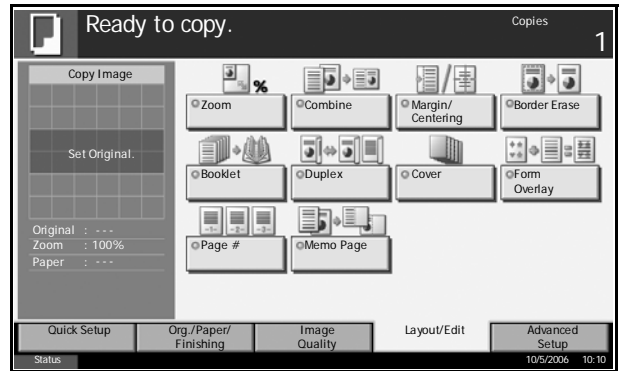
- 2 [Original/Paper/Finishing] Screen



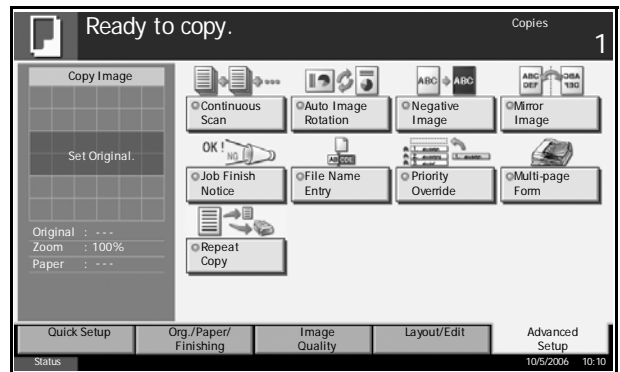
- 3 [Image Quality] Screen



4 [Layout /Edit] Screen



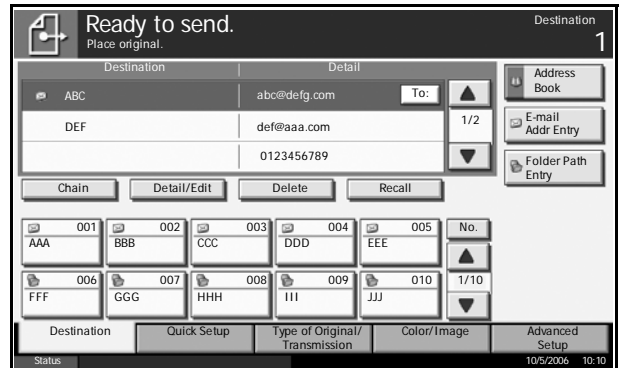
5 [Advanced Setup] Screen



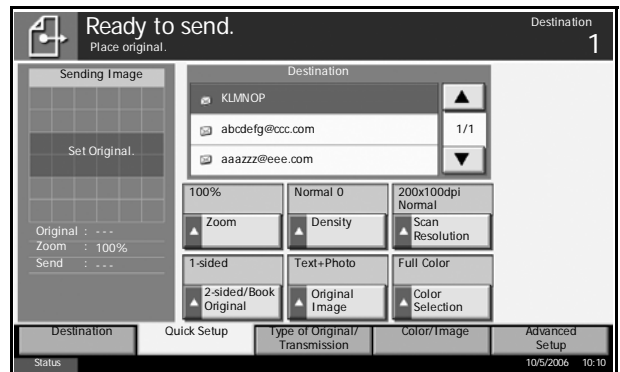
Send Screen

Press the **Send** key to access this screen.

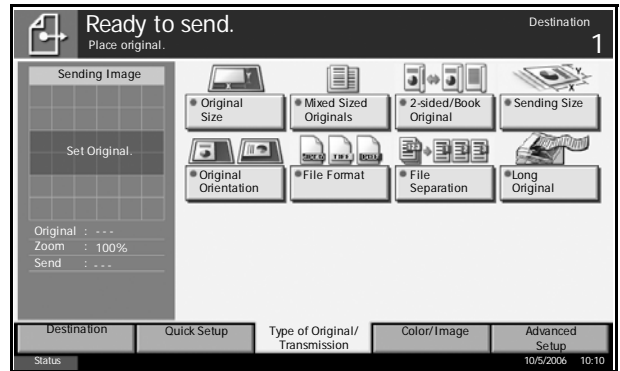
1 [Destination] Screen



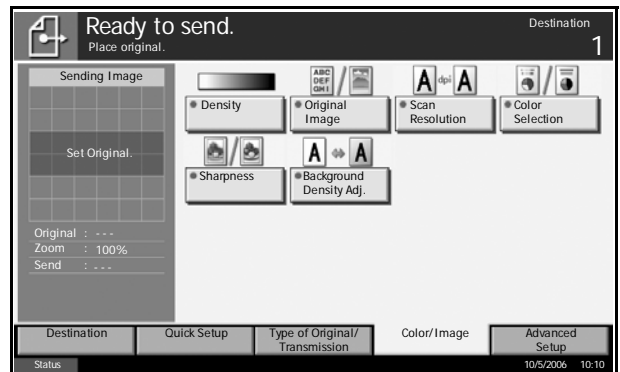
2 [Quick Setup] Screen



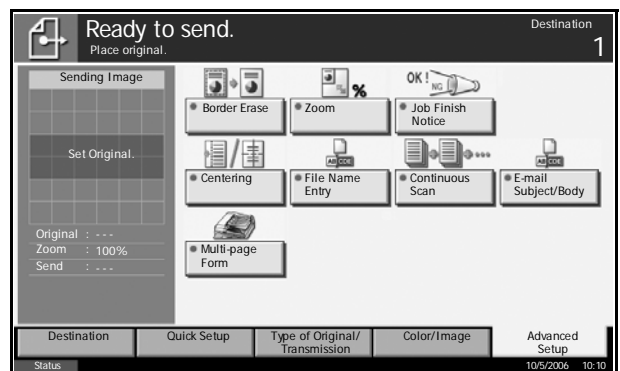
3 [Type of Original/
Transmission]
Screen



4 [Color/Image]
Screen



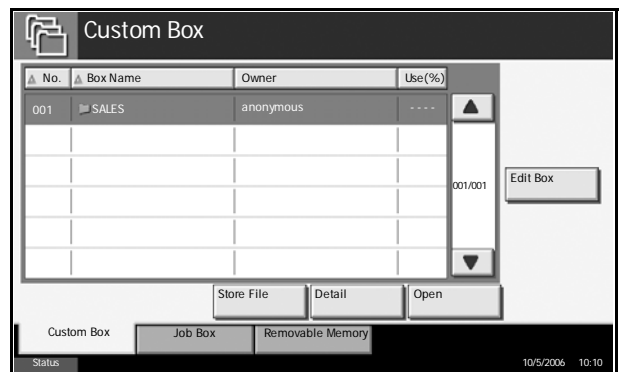
5 [Advanced Setup]
Screen



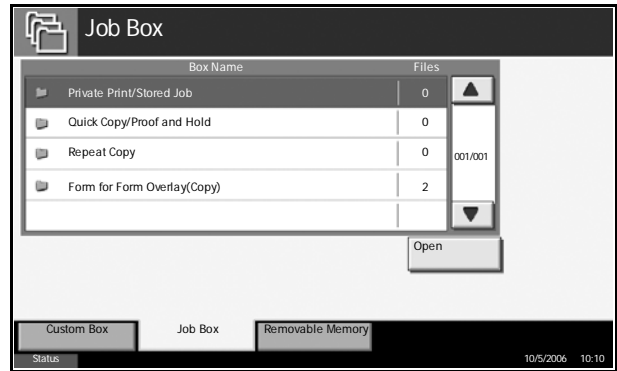
Document Box Screen

Press the **Document Box** key to access this screen.

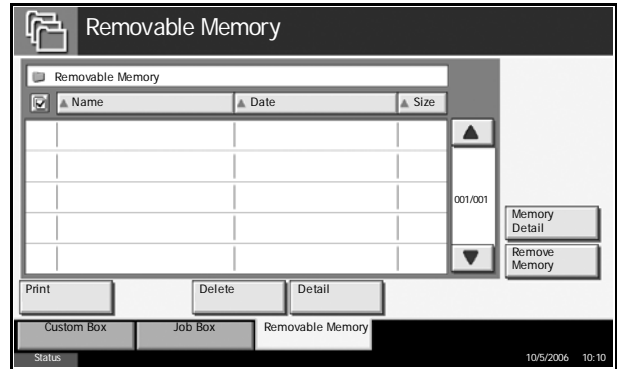
1 [Custom Box]
Screen



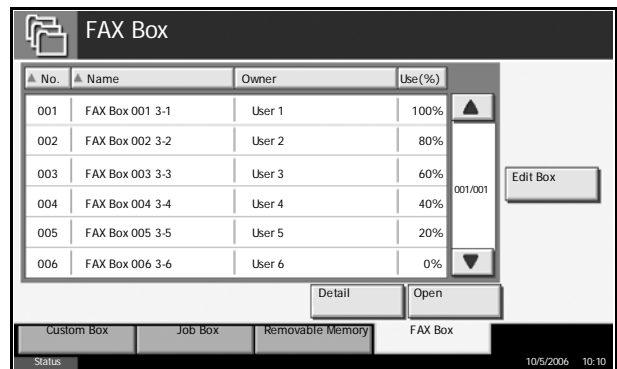
2 [Job Box] Screen



3 [Removable Memory] Screen



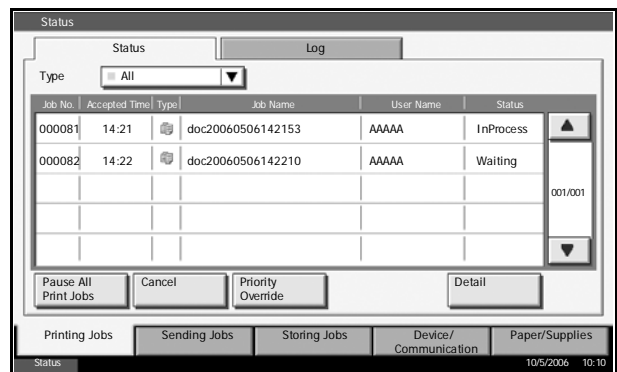
4 [FAX Box] Screen
(Displayed only when optional FAX kit is installed)



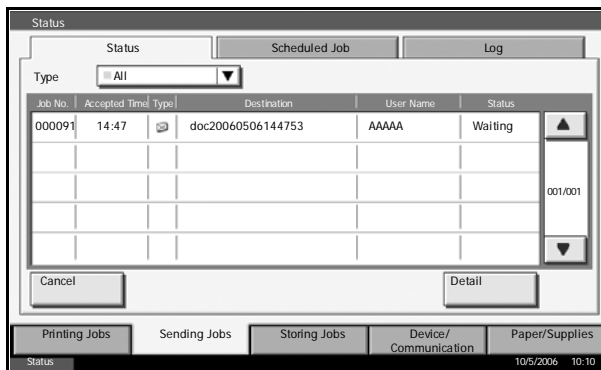
Status/Job Cancel Screen

Press the **Status/Job Cancel** key to access this screen.

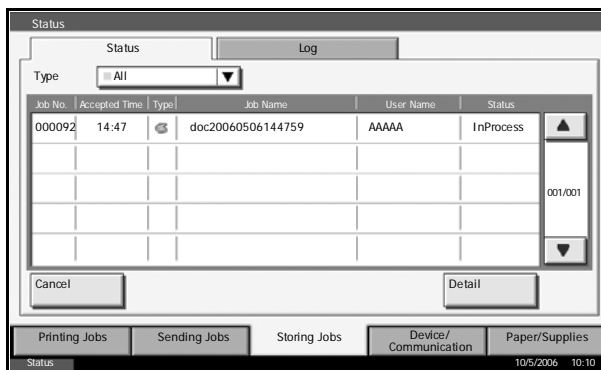
1 [Printing Jobs] Screen



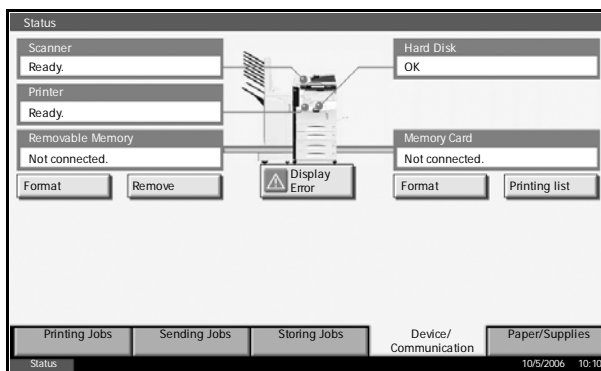
2 [Sending Jobs] Screen



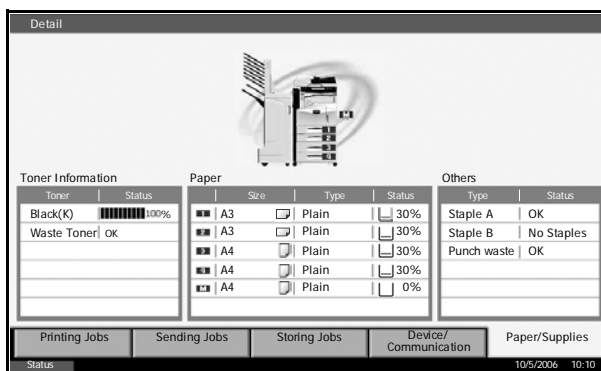
3 [Storing Jobs] Screen



4 [Device/Communication Job] Screen



5 [Paper/Supplies] Screen



Program Screen

Press the **Program** key to access this screen.

1 [Call] Screen

The screenshot shows the 'Program' screen with a dark header bar containing a right-pointing arrow and the word 'Program'. Below the header is a grid of ten input fields arranged in two columns of five. The first column contains fields labeled '01' through '05', and the second column contains fields labeled '06' through '10'. To the right of the grid is a vertical scroll bar with an upward-pointing arrow at the top, the text '001/005' in the middle, and a downward-pointing arrow at the bottom. At the top right of the scroll bar is a small box labeled 'No.'. Below the grid is a dark bar with three buttons: 'Call', 'Register', and 'Edit'. The 'Call' button is highlighted. At the bottom left is the text 'Status', and at the bottom right is the date and time '10/5/2006 10:10'.

2 [Register] Screen

The screenshot shows the 'Program' screen with a dark header bar containing a right-pointing arrow and the word 'Program'. Below the header is a grid of ten input fields arranged in two columns of five. The first column contains fields labeled '01' through '05', and the second column contains fields labeled '06' through '10'. To the right of the grid is a vertical scroll bar with an upward-pointing arrow at the top, the text '001/005' in the middle, and a downward-pointing arrow at the bottom. At the top right of the scroll bar is a small box labeled 'No.'. Below the grid is a dark bar with three buttons: 'Call', 'Register', and 'Edit'. The 'Register' button is highlighted. At the bottom left is the text 'Status', and at the bottom right is the date and time '10/5/2006 10:10'.

3 [Edit] Screen

The screenshot shows the 'Program' screen with a dark header bar containing a right-pointing arrow and the word 'Program'. Below the header is a grid of ten input fields arranged in two columns of five. The first column contains fields labeled '01' through '05', and the second column contains fields labeled '06' through '10'. To the right of the grid is a vertical scroll bar with an upward-pointing arrow at the top, the text '001/005' in the middle, and a downward-pointing arrow at the bottom. At the top right of the scroll bar is a small box labeled 'No.'. Below the grid is a dark bar with three buttons: 'Call', 'Register', and 'Edit'. The 'Edit' button is highlighted. At the bottom left is the text 'Status', and at the bottom right is the date and time '10/5/2006 10:10'.

2 Preparation before Use

This chapter explains the preparations before using this equipment for the first time as well as the procedures for loading papers and originals.

- Determining Connection Method and Preparing Cables .. 2-3
- Connecting Cables 2-5
- Setting Date and Time..... 2-8
- Configuring Network (LAN Cable Connection)..... 2-10
- Installing Software 2-12
- Selecting Default Screen (Optional) 2-13
- Changing Language (Optional) 2-14
- Loading Paper 2-15
- Loading Originals 2-25

Documents Contained in the Attached CD-ROM

The following documents are contained in the attached CD-ROM (Product Library). Refer to them as necessary.

Documents

Extended Printer Driver User Guide

Network FAX Driver Operation Guide

COMMAND CENTER Operation Guide

KM-NET for Clients Operation Guide

KM-NET for Direct Printing Operation Guide

PRESCRIBE Commands Technical Reference

PRESCRIBE Commands Command Reference

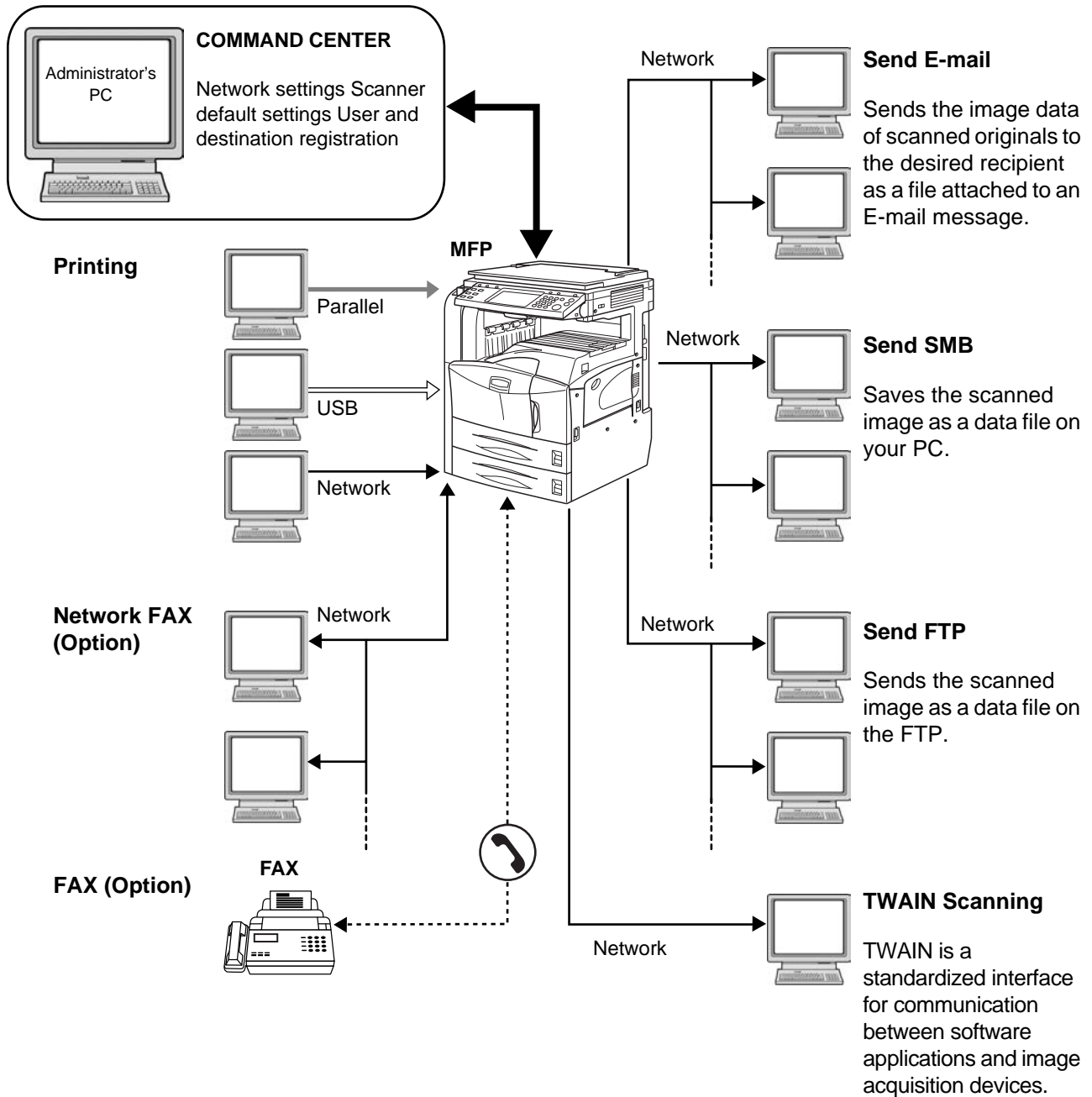
Determining Connection Method and Preparing Cables

Check the method to connect the equipment to PC or network, and have the necessary cables ready.

Connection Example

Determine the method to connect the equipment to PC or network by referring to the illustration below.

Connecting the scanner to your PC network with a network cable (100BASE-TX or 10BASE-T)



Preparing Necessary Cables

The following interfaces are available to connect the equipment to PC. Prepare the necessary cables according to the interface you use.

Interfaces Available as Standard

Function	Interface	Necessary Cable
Printer/Scanner /Network FAX*	Network interface	LAN (10Base-T or 100Base-TX, Shielded)
Printer	USB interface	USB2.0 compatible cable (Hi-Speed USB compliant, Max. 5.0 m, Shielded)
	Parallel interface	Parallel cable (IEEE1284 Compliant, Max. 1.5 m)

* Function available by using optional fax kit. For details of Network FAX, refer to *the operation guide of the fax kit*.

Optional Interface

Serial interface is available as option.

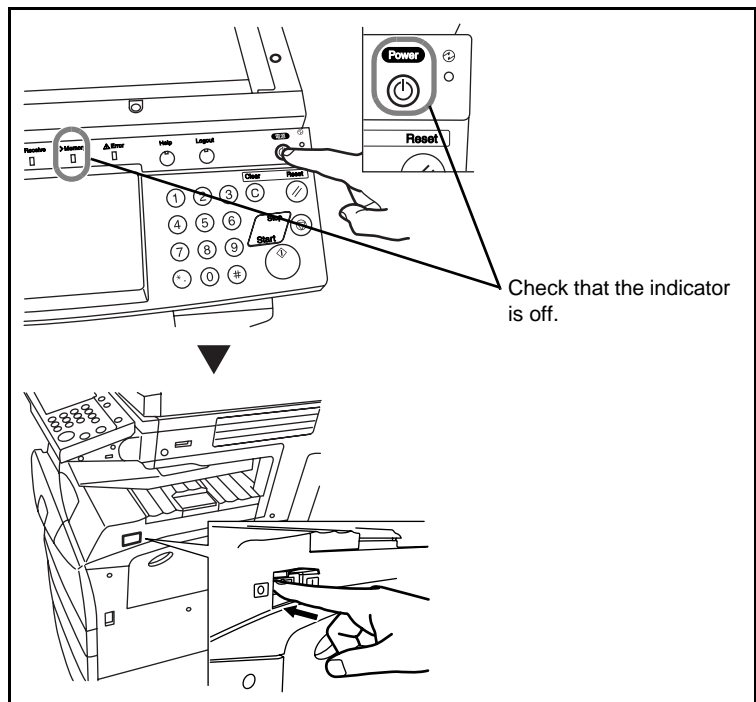
Function	Interface	Necessary Cable
Printer	Serial interface	RS-232C cable (Max. 15 m)

Connecting Cables

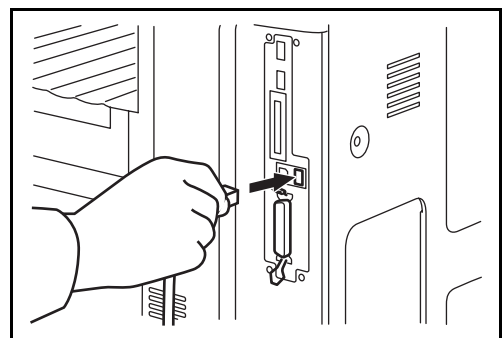
Connecting LAN Cable (Optional)

Follow the steps below to connect a LAN cable to the machine.

- 1 When the machine is powered, first press the **Power** key on the operation panel. Check that the **Power** indicator and the memory indicator are off. After this, turn off the main power switch.



- 2 Connect a LAN cable to the network interface located on right side of the body.

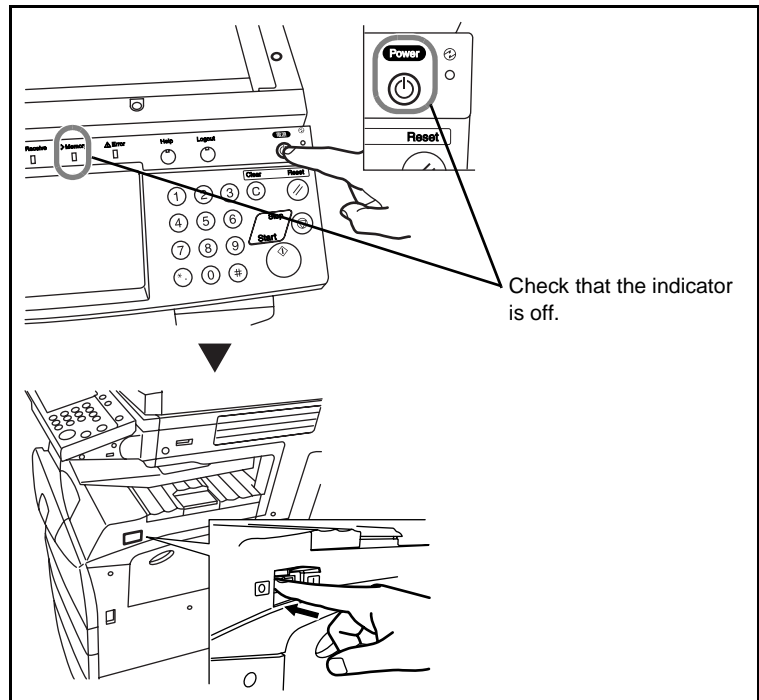


- 3 Connect the other end of the cable to HUB.
- 4 Configure the network. For details, refer to *Configuring Network (LAN Cable Connection)* on page 2-10.

Connecting Parallel/USB Cable (Optional)

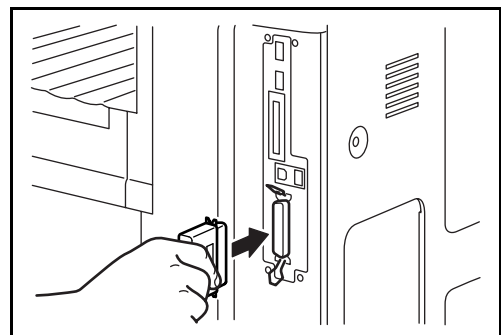
Follow the steps below to connect a printer cable of parallel or USB interface to the machine.

- 1 When the machine is powered, first press the **Power** key on the operation panel. Check that the **Power** indicator and the memory indicator are off. After this, turn off the main power switch.

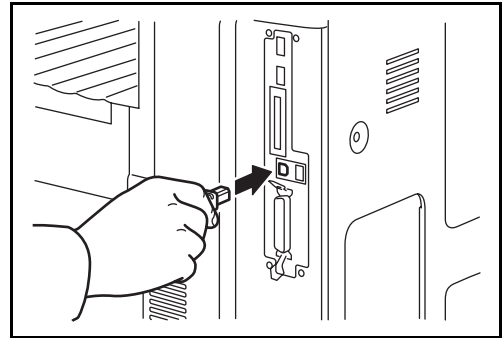


- 2 If connection is established using a parallel cable, PC to be connected should also be powered off.
- 3 Connect the printer cable to each interface located on right side of the body.

When Connecting to Parallel Interface



When Connecting to USB Interface



- 4 Connect the other end of the cable to PC.

Connecting Power Cable

Connect one end of the supplied power cable to the machine and the other end to power outlet.

IMPORTANT: Only use the power cable that comes with the machine.

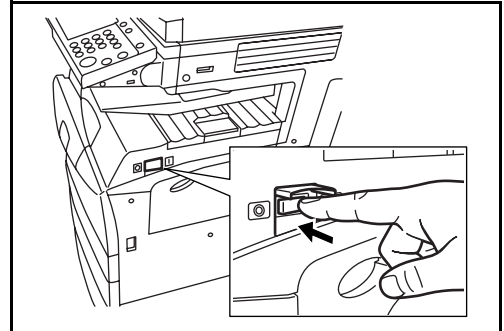
Setting Date and Time

Follow the steps below to set date and time in the place of installation.

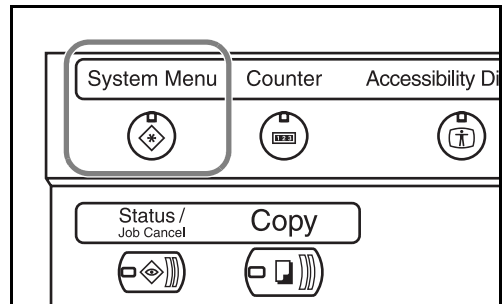
When you send an E-mail using the transmission function, the date and time of this setting will be printed in the header of E-mail message. Set the date, time and time difference from GMT of the region where the machine is used.

NOTE: Be sure to set the time difference before setting date and time.

- 1 Turn on the main power switch.

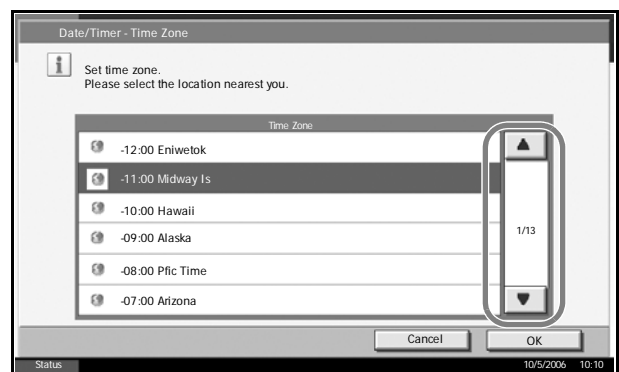


- 2 Press the **System Menu** key.



- 3 Press [▼], [Date/Timer] and then [Change] of *Time Zone*.

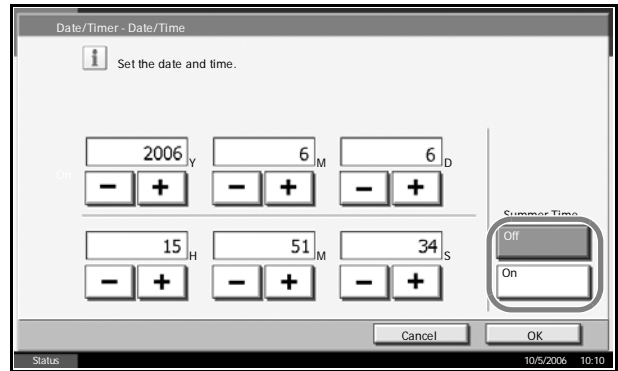
- 4 Select the region and press [OK].



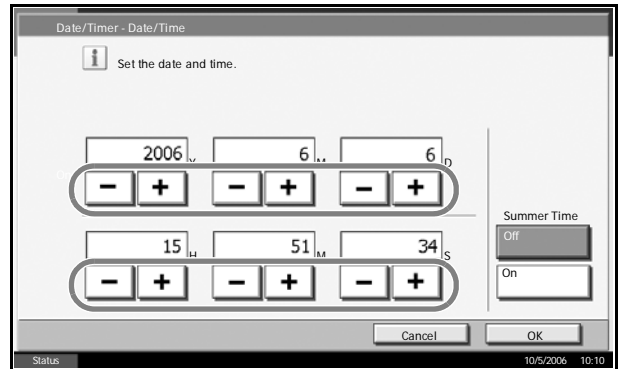
NOTE: Press [▲] or [▼] to view next region.

- 5 Press [Change] of *Date/Time*.

- 6** Press [Off] or [On] of *Summer Time*.



- 7** Set the date and time. Press [+] or [-] in each setting.



NOTE: Settings include Year (Y), Month (M), Date (D), Hour (H), Minute (M) and Second (S).

- 8** Press [OK].
- 9** When exiting, press [Close] repeatedly to return to the System Menu default screen.

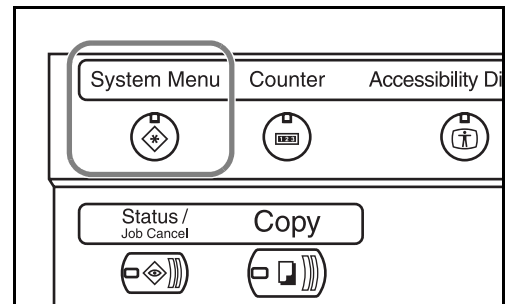
Configuring Network (LAN Cable Connection)

The machine comes with the network interface as standard and supports each protocol of TCP/IP, IPX/SPX, NetBEUI and AppleTalk, allowing network printing on various platforms such as Windows, Macintosh, UNIX and NetWare.

Setting TCP/IP (When Using Fixed IP Address)

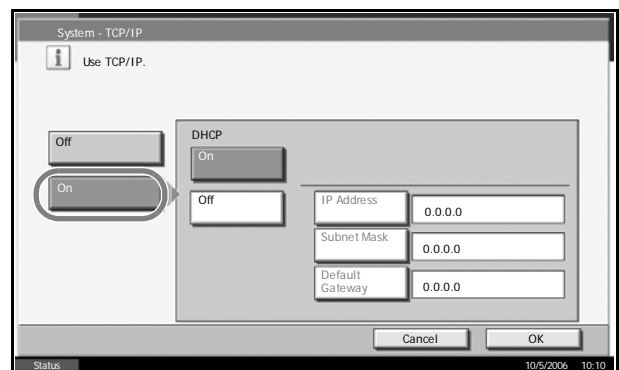
Follow the steps below to set TCP/IP when fixed IP address is used. Make sure that IP address is available by asking your network administrator to obtain it in advance.

- 1 Press the **System Menu** key.



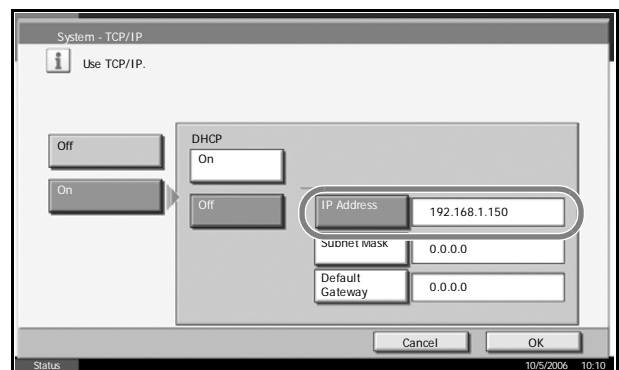
- 2 Press [System], [Change] of *Network* and then [Change] of *TCP/IP*.

- 3 Press [On] of *TCP/IP*.



- 4 Press [Off] of *DHCP*.

- 5 Press [IP Address] and enter IP address using the numeric keys.

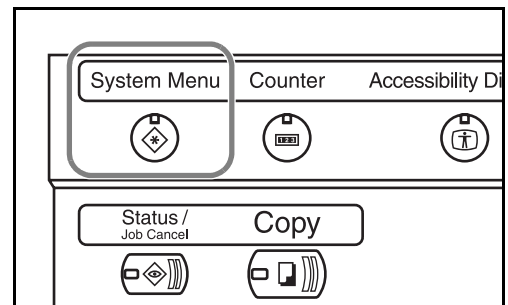


- 6 Press [Subnet Mask] and enter address using the numeric keys.
- 7 Press [Default Gateway] and enter address using the numeric keys.
- 8 Check that all addresses are entered correctly, and press [OK].
- 9 Press the **Power** key, and after confirming that the **Power** key/indicator and memory indicator have turned off, turn the main power switch off and on.

Setting TCP/IP (When Using DHCP)

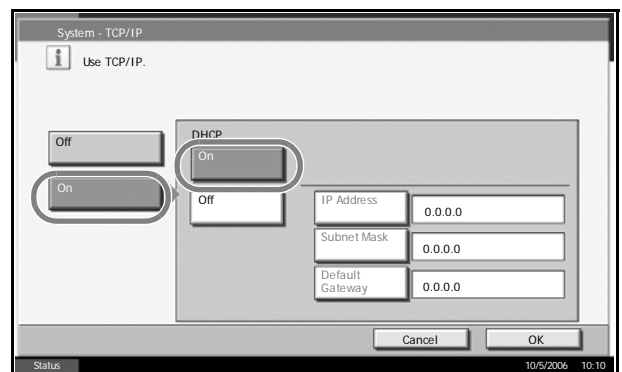
Follow the steps below to set TCP/IP when DHCP server is available.

- 1 Press the **System Menu** key.



- 2 Press [System], [Change] of *Network* and then [Change] of *TCP/IP*.

- 3 Press [On] of *TCP/IP* and [On] of *DHCP*.



- 4 Press [OK].
- 5 Press the **Power** key, and after confirming that the **Power** key/indicator and memory indicator have turned off, turn the main power switch off and on.

Installing Software

Install appropriate software on your PC from the Product Library CD-ROM that is included if you want to use the printer function of this machine or perform TWAIN transmission or FAX transmission from your PC.

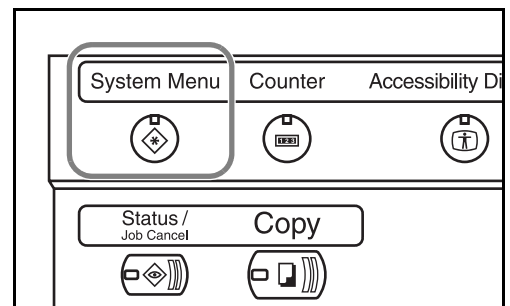
NOTE: Installation on Windows XP, Windows NT 4.0/2000 and Server 2003 must be installed by a user logged on with administrator privileges. Plug and Play is disabled on this device when in Sleep Mode. Wake the device from Sleep Mode before continuing. See *Sleep and Auto Sleep* on page 3-4.

Selecting Default Screen (Optional)

Select the default screen (on the touch panel) to appear following the opening screen after power-on. The default screen is selectable from among the following.

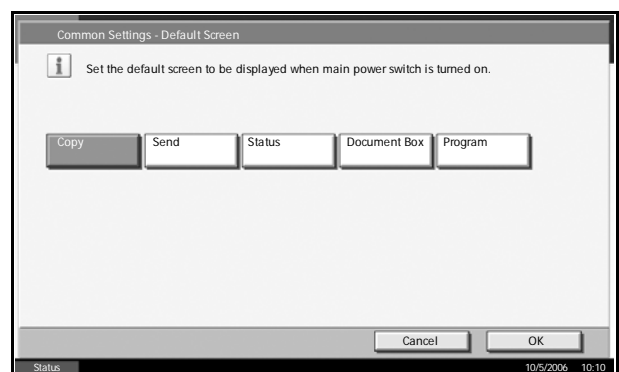
Default screen	Screen appearing immediately after power-on.
Copy	Default screen for copying (screen to appear when the Copy key is pressed)
Send	Default screen for sending (screen to appear when the Send key is pressed)
Status	Default screen for status/job cancel (screen to appear when the Status/Job Cancel key is pressed)
Document box	Default screen for document box (screen to appear when the Document Box key is pressed)
Program	Default screen for program (screen to appear when the Program key is pressed)

- 1** Press the **System Menu** key.



- 2** Press [Common Settings] and then [Change] of *Default Screen*.

- 3** Select the desired default screen.



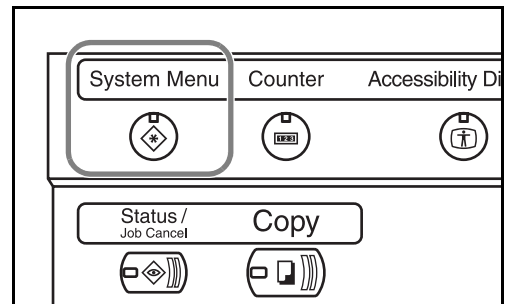
- 4** Press [OK].

- 5** When exiting, press [Close] repeatedly to return to the *System Menu* screen.

Changing Language (Optional)

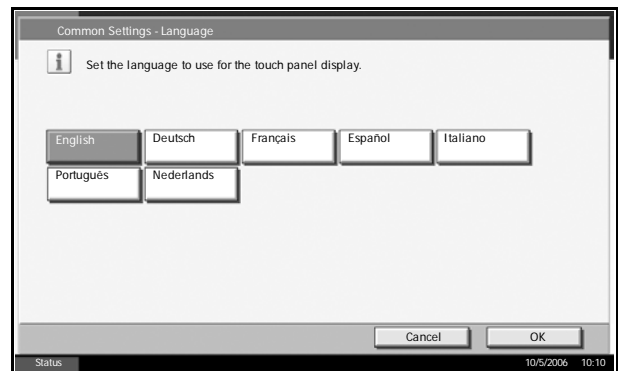
Follow the steps below to change the language to appear on the touch panel.

- 1** Press the **System Menu** key.



- 2** Press [Common Settings] and then [Change] of *Language*.

- 3** Press the key for the language you wish to use.



- 4** The message instructing you to turn the power off and on appears, press [OK].

- 5** Press the **Power** key on the operation panel. Check that the **Power** key and the memory indicator are off. After this, turn on the main power switch again.

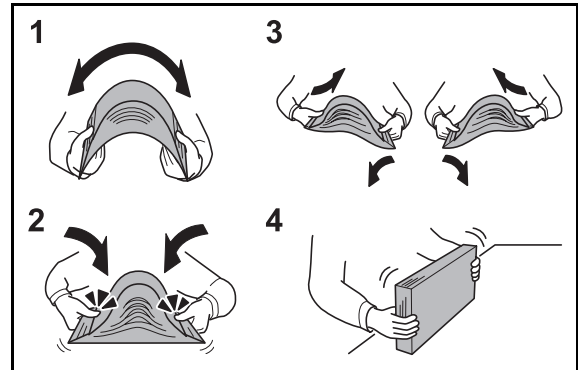
Touch panel language will be changed.

Loading Paper

As standard, paper can be loaded in the two drawers of cassettes and the Multi Purpose Tray. As options, 2 paper feeders and the side feeder of 3,000 sheets capacity are also available (refer to *Chapter 4 Options*).

Before Loading Paper

When you open a new package of paper, fan through the sheets to separate them slightly prior to loading in the following steps.



- 1** Bend the whole set of papers to swell them in the middle.
- 2** Hold the papers at both ends and stretch them while giving a swell over the entire papers.
- 3** Raise the right and left hands alternately to create a gap and feed air between the papers.
- 4** Finally, align the papers on a level, flat table.

If the paper is curled or folded, straighten it before loading. Paper that is curled or folded may cause paper jam.

CAUTION: If you copy onto used paper (paper already used for copying), do not use paper that is stapled or clipped together. This may damage the machine or cause poor image quality.

NOTE: If print outputs are curled or not neatly stapled, turn the papers in the cassette upside down.

Avoid exposing opened paper to high temperatures and high humidity as dampness can be a cause of problem. Seal any remaining paper after loading the Multi Purpose Tray or cassette in the paper storage bag.

If the machine will not be used for a prolonged period, protect all paper from humidity by removing it from the cassettes and sealing it in the paper storage bag.

NOTE: If you use special paper such as letterheads, paper with holes or paper with pre-prints like logo or company name.

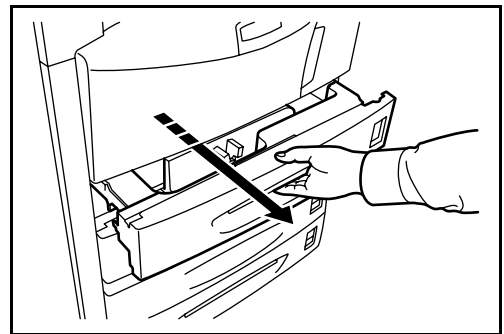
Loading Paper in the Cassettes

Up to 500 sheets of standard paper (80 g/m²) or colored paper may be loaded in each of the standard two drawers of cassettes.

The following paper sizes are supported: Ledger, Legal, Oficio II, 8.5×13.5", Letter, Letter-R, Statement-R, A3, B4, A4, A4-R, B5-R, A5-R, Folio, 8K, 16K, and 16K-R.

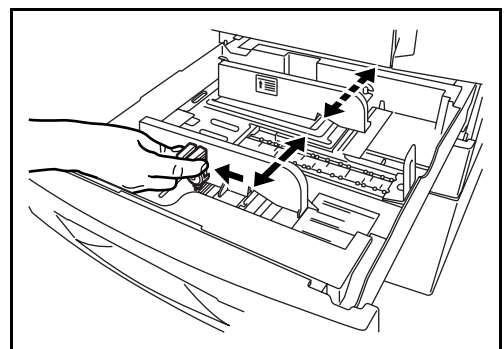
- 1 Pull the cassette out toward you until it stops.

NOTE: Do not pull out more than one cassette at a time.

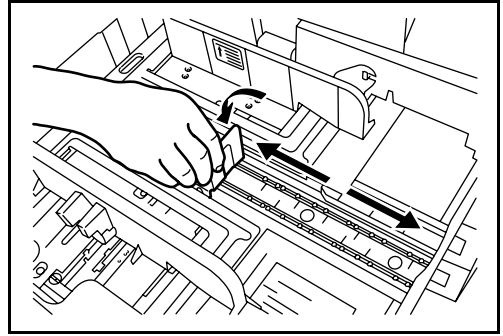


- 2 Holding the paper width adjusting tab, move the paper width guide to fit the paper.

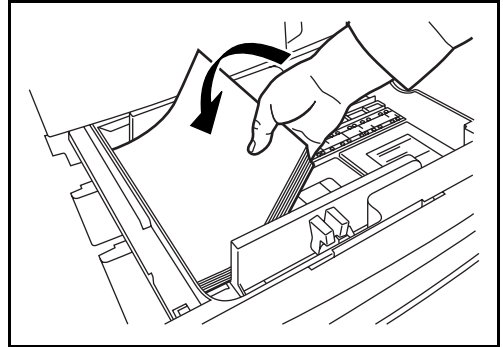
NOTE: Paper sizes are marked on the cassette.



- 3** Using the paper length adjusting tab, move the plate to fit the paper.

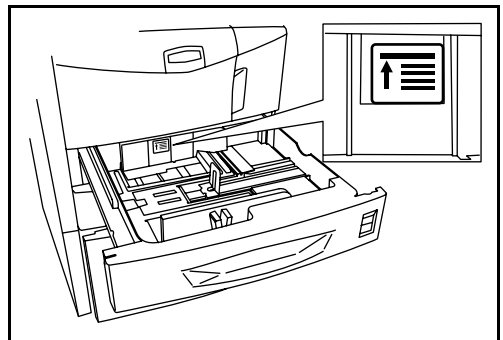


- 4** Align the paper flush against the left side of the cassette.

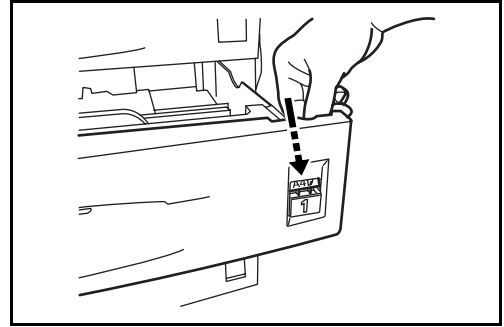


IMPORTANT:

- Before loading the paper, be sure that it is not curled or folded. Paper that is curled or folded may cause paper jams.
- Ensure that the loaded paper does not exceed the level indicated (see illustration below).
- When loading the paper, keep the side toward the sealed side facing up.
- Paper length and width guides must be adjusted to the paper size. Loading the paper without adjusting these guides may cause skewed feeding and paper jams.
- Be sure that the paper length and width guides rest securely against the paper. If there is a gap, readjust the guides to fit the paper.



- 5** Insert the appropriate paper size card in the slot to indicate the size of the paper inside.



- 6** Gently push the cassette back in.

NOTE: If the machine will not be used for a prolonged period, protect all paper from humidity by removing it from the cassettes and sealing it in the original package.

- 7** Select the type of the paper (plain, recycled, etc.) loaded in the cassette. (Refer to *Selecting Paper Size and Type to the Cassettes* on page 2-21).

Loading Paper in the Multi Purpose Tray

Up to 200 sheets of plain paper (80 g/m²) may be loaded in the Multi Purpose Tray.

The Multi Purpose Tray accepts the paper sizes from A3 to Hagaki and from Ledger to Statement-R. Be sure to use the Multi Purpose Tray when you print on any special paper.

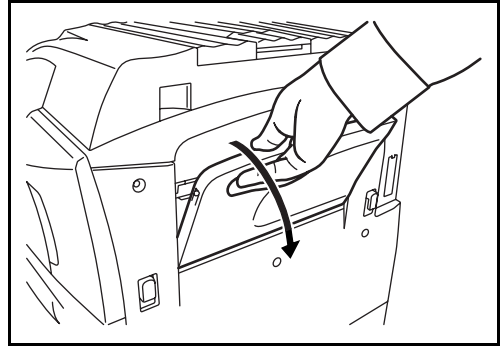
NOTE: The capacity of the Multi Purpose Tray is as follows.

- Thick paper (120 g/m²): 130 sheets
- Thick paper (160 g/m²), Japanese noshi paper: 100 sheets
- Thick paper (200 g/m²), Rough paper (45 g/m²): 50 sheets
- Hagaki: 80 sheets
- OHP film: 25 sheets
- Envelope DL, Envelope C5, Comm. #10, Monarch, Youkei 4, Youkei 2 : 20 sheets

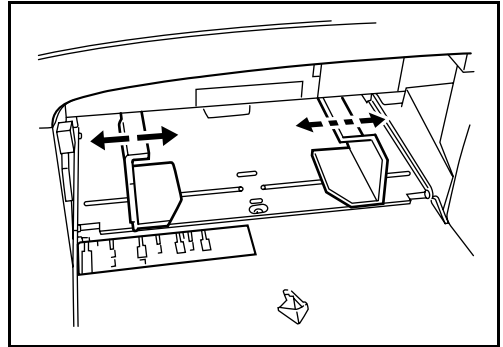
NOTE: When you load custom size paper, enter the paper size by referring to *Selecting Paper Size and Type to the Multi Purpose Tray* on page 2-23.

When you use special paper such as transparency or thick paper, select the paper type by referring to *Selecting Paper Size and Type to the Multi Purpose Tray* on page 2-23.

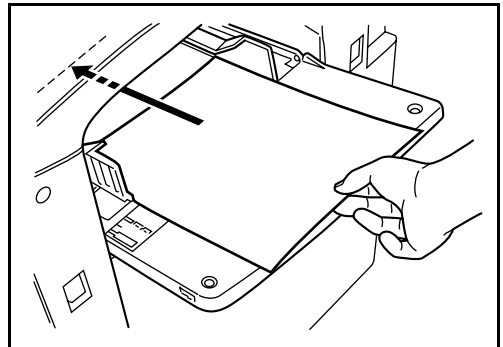
- 1** Open the Multi Purpose Tray.



- 2** Adjust the paper width guides to the width of the paper.



- 3** Insert the paper along the paper width guides into the tray until it stops.



IMPORTANT: Keep the side toward the sealed side facing up.
 Curled paper must be uncurled before use.
 Straighten the top edge if it is curled.

Loading Envelopes

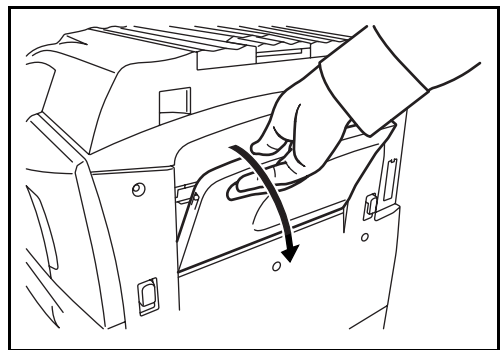
Up to 20 envelopes may be loaded in the Multi Purpose Tray.

Acceptable envelope sizes are as follows.

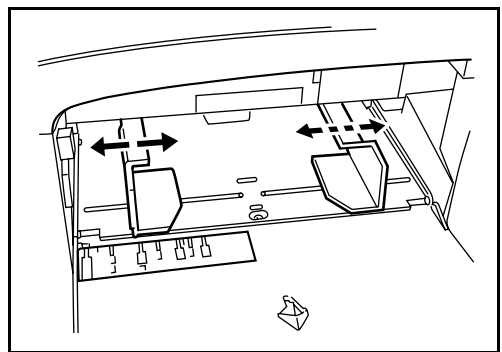
Acceptable Envelope	Size
Monarch	3 1/8"x7 1/2"
Comm. #10	4 1/8"x9 1/2"
Envelope DL	110x220 (mm)

Acceptable Envelope	Size
Envelope C5	162x229 (mm)
Executive	7 1/4"x10 1/2"
Comm. #9	3 7/8"x8 7/8"
Comm. #6-3/4	3 5/8"x6 1/2"
ISO B5	176x250 (mm)
Envelope C4	229x324 (mm)
Oufuku Hagaki	200x148 (mm)
Youkei 2 Haguruma Envelope <i>Swiss-You 2 w/o border print WE-S2</i>	162x114 (mm)
Youkei 4 <i>LIFE E506B (w/o border print)</i>	234x105 (mm)

- 1** Open the Multi Purpose Tray.

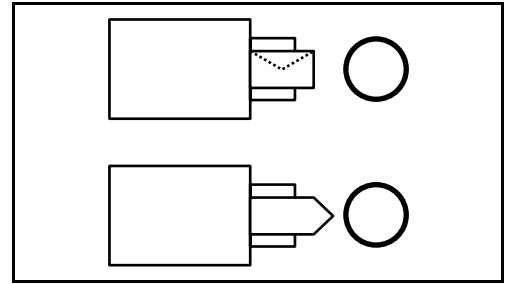


- 2** Adjust the paper width guides to the width of the envelope.



- 3** In the case of the landscape form envelope, close the flap. Insert the envelope all the way along the width guides, keeping the printing side face-up and with the flap positioned backward.

In the case of the portrait form envelope, open the flap. Insert the envelope all the way along the width guides, keeping the printing side face-up and with the flap positioned opposite to the entrance.



IMPORTANT: How to load envelope (orientation and facing) will differ depending on the type of envelope. Be sure to load it in a correct way. Otherwise printing may be done in wrong direction or on wrong face.

NOTE: When you load envelope in the Multi Purpose Tray, select the envelope type by referring to *Selecting Paper Size and Type to the Multi Purpose Tray on page 2-23*.

Selecting Paper Size and Type

Selecting Paper Size and Type to the Cassettes

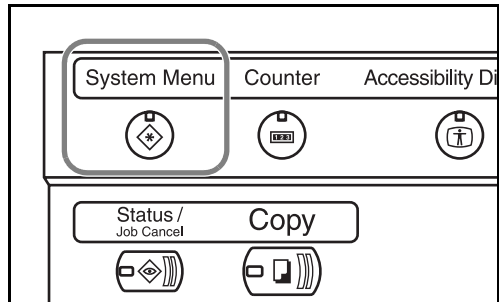
When you use the cassettes 1 or 2 or the optional side feeder (cassettes 3 and 4), select the paper size and paper type you load.

When you use the optional side feeder (cassette 3) of up to 3,000 sheets capacity, select the paper type only.

Selection Item		Selectable Size/Type
Paper Size	Auto	Paper size is automatically detected and selected. Select whether the paper is in <i>Metric</i> size or in <i>Inch</i> size.
	Standard Size 1	Select from the standard sizes. Selectable paper sizes are as follows. Inch size: Ledger, Letter-R, Letter, Legal, Statement-R, 8.5×13.5" and Oficio II Metric size: A3, B4, A4, A4-R, B5, B5-R, A5-R, and Folio
	Standard Size 2	Select from the standard sizes not included in the Standard Size 1. Selectable paper sizes are as follows. Inch size: A3, B4, A4, A4-R, B5, B5-R, A5-R, and Folio, 8K, 16K-R and 16K Metric size: Ledger, Letter-R, Letter, Legal, Statement-R, 8.5×13.5" and Oficio II, 8K, 16K-R and 16K

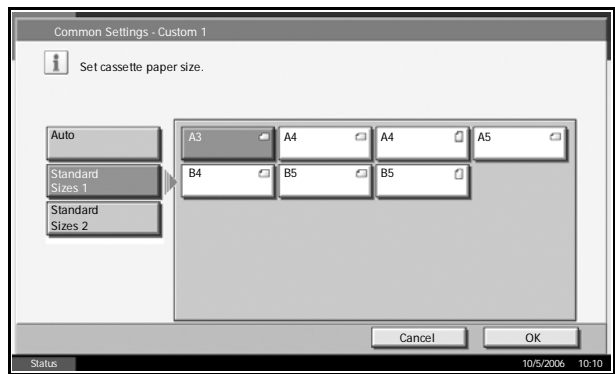
Selection Item	Selectable Size/Type
Paper Type	Plain, Rough, Vellum, Recycled, Preprinted, Bond, Color, Prepunched, Letterhead, High Quality and Custom 1~8

1 Press the **System Menu** key.



2 Press [Common Settings], [Change] of *Original/Paper Setup*, [Change] of *Cassette setting*, [Change] of the required paper source and then [Change] of *Paper Size*.

3 For automatic detection of the paper size, press [Auto] and select [Metric] or [Inch] as the unit.



To select the paper size, press [Standard Sizes 1] or [Standard Sizes 2] and select the paper size.

4 Press [OK].

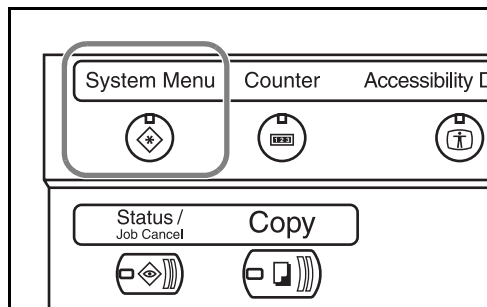
5 Press [Change] in *Media Type Setting* and select the paper type. Then press [OK].

Selecting Paper Size and Type to the Multi Purpose Tray

Select the paper size and paper type when using the Multi Purpose Tray. You may select in advance the paper size and paper type that will be used often.

Item		Description
Paper Size	Auto	Paper size is automatically detected and selected. Select whether the paper is in <i>Metric</i> size or in <i>Inch</i> size.
	Standard Size 1	Select from the standard sizes. Selectable paper sizes are as follows. Inch size: Ledger, Letter-R, Letter, Legal, Statement-R, Executive, 8.5×13.5", and Oficio II Metric size: A3, A4-R, A4, A5-R, A6-R B4-R, B5-R, B5, B6-R and Folio
	Standard Size 2	Select from the standard sizes not included in the Standard Size 1. Selectable paper sizes are as follows. Inch size: A3, A4-R, A4, A5-R, A6-R B4-R, B5-R, B5, B6-R and Folio, 8K, 16K-R and 16K Metric size: Ledger, Letter-R, Letter, Legal, Statement-R, Executive, 8.5×13.5", and Oficio II, 8K, 16K-R and 16K
	Others	Select from special standard sizes and custom sizes. Selectable paper sizes are as follows. ISO B5, Envelope #10, Envelope #9, Envelope #6, Envelope Monarch, Envelope DL, Envelope C5, Envelope C4, Hagaki, Oufuku Hagaki, Youkei 4, Youkei 2
	Size Entry	Enter the size not included in the standard size. Selectable paper sizes are as follows. Inch size X (Horizontal): 5.83~17" (in 0.01" increments), Y (Vertical): 3.86~11.69" (in 0.01" increments) Metric size X (Horizontal): 148~432 mm (in 1mm increments), Y (Vertical): 98~297 mm (in 1mm increments)
Paper Type		Selectable paper types are as follows. Plain, Transparency, Rough, Vellum, Labels, Letterhead, Recycled, Preprinted, Bond, Cardstock, Color, Prepunched, Envelope, Thick, High Quality and Custom 1~8

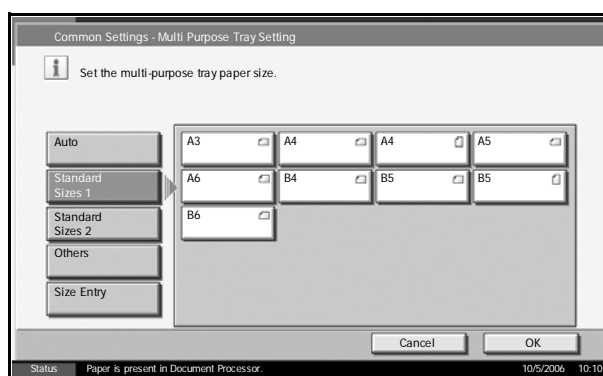
1 Press the **System Menu** key.



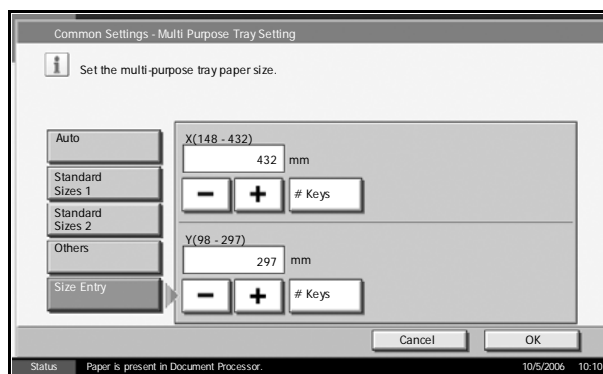
2 Press [Common Settings], [Change] in *Original/Paper Setup*, [Change] in *MP Tray Setting*, and then [Change] in *Paper Size*.

3 For automatic detection of the paper size, press [Auto] and select [Metric] or [Inch] as the unit.

To select the paper size, press any of [Standard Sizes 1], [Standard Sizes 2], [Others] or [Size Entry] and select the paper size.



If you have chosen [Size Entry], press [+] or [-] to enter X (horizontal) and Y (vertical) sizes. You may enter the size directly using the numeric keys by pressing [#-Keys].



4 Press [OK].

5 Press [Change] in *Media Type Setting* and select the paper type. Then press [OK].

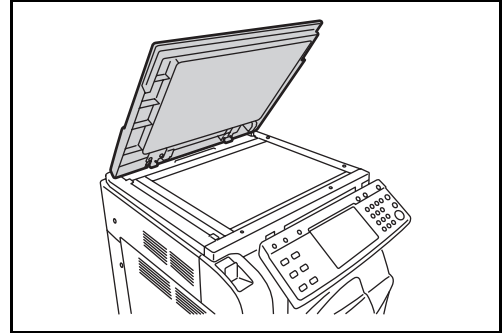
Loading Originals

Follow the steps below to load originals for copying, sending or storing.

Placing Originals on the Platen

You may place book or magazine on the platen in addition to ordinary sheet originals.

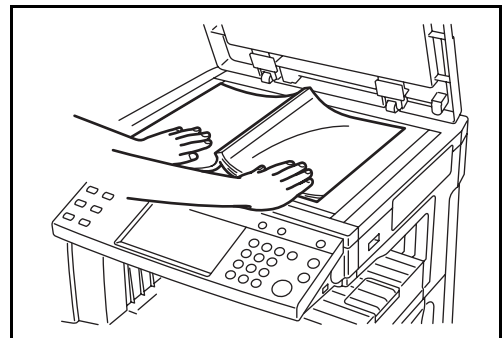
- 1 Open the original cover.



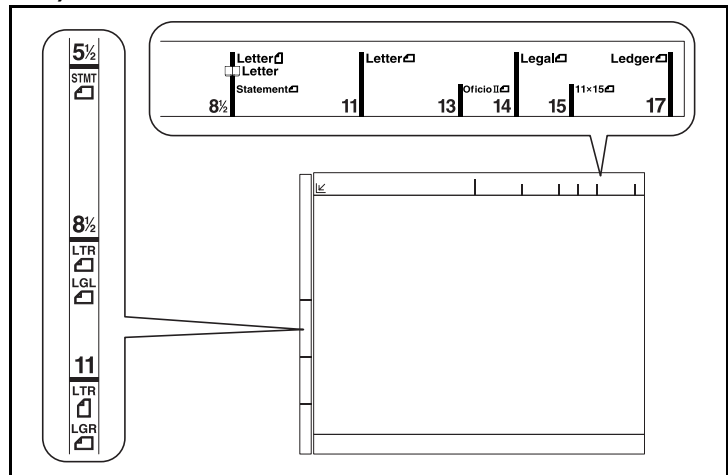
NOTE: If the optional document processor is installed, open the document processor. Before opening the document processor, be sure that there are no originals left on the original table or on the original eject table. Originals left on the original table or on the original eject table may fall off when the document processor is opened.

Keep the document processor open if the original is 40 mm or thicker.

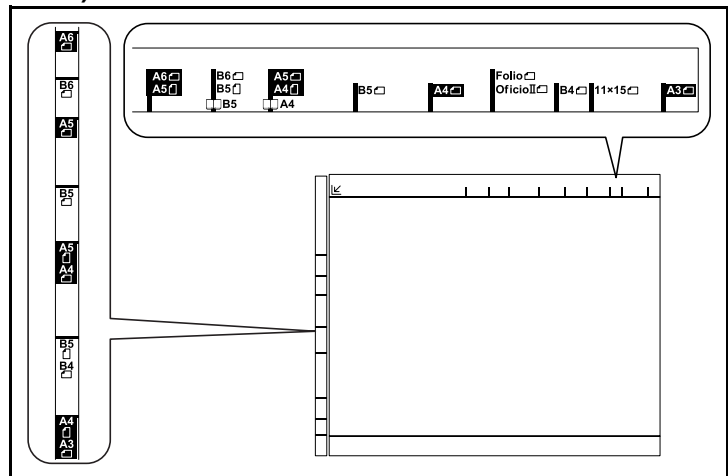
- 2 Place the original. Put the scanning side facedown and align it flush against the original size indicator plates with the back left corner as the reference point.



◆ Original size indicator plates
(Inch models)



(Metric models)



3 Close the original cover.

CAUTION: Do not push the original cover forcefully when you close it. Excessive pressure may crack the platen glass.

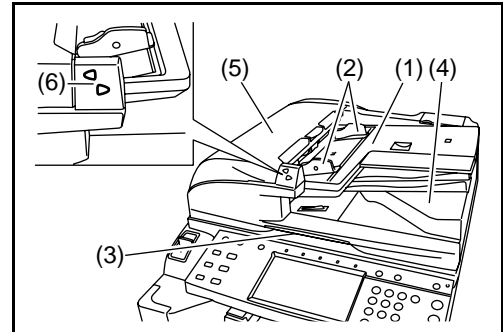
NOTE: Shadows may be produced around the edges and in the middle of open-faced originals.

! **CAUTION:** Do not leave the document processor open as there is a danger of personal injury.

Loading Originals in the Document Processor

The optional document processor automatically scans each sheet of multiple originals. Both sides of two-sided originals are scanned.

Part Names of Document Processor



- (1) Original table
- (2) Original width guides
- (3) Opening handle
- (4) Original eject table
- (5) Top cover
- (6) Original placement indicator

Originals Supported by the Document Processor

The document processor supports the following types of originals.

Weight	45 g/m ² to 160 g/m ²
Size	Maximum A3 to Minimum A5-R Maximum Ledger to Minimum Statement-R
Capacity	Plain paper (80 g/m ²), High quality paper (50 g/m ²), Colored paper, Recycled paper: 100 sheets (Mixed sized originals: 30 sheets) Thick paper (120 g/m ²): 66 sheets Thick paper (160 g/m ²): 50 sheets Art paper, Rough paper, Coated paper: 1 sheet High quality paper (110 g/m ²): 73 sheets

Originals Not Supported by the Document Processor

Do not use the document processor for the following types of originals.

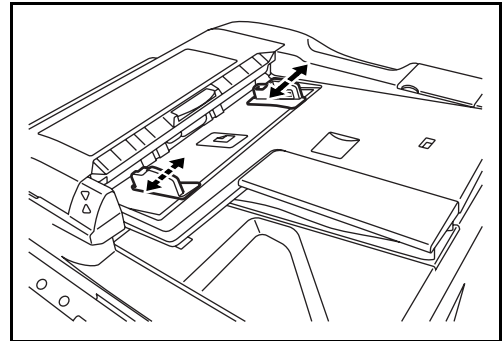
- Soft originals such as vinyl sheets
- Transparencies such as OHP film
- Carbon paper
- Originals with very slippery surfaces
- Originals with adhesive tape or glue
- Wet originals

- Originals with correction fluid which is not dried
- Irregularly shaped (non-rectangular) originals
- Originals with cut-out sections
- Crumpled paper
- Originals with folds (Straighten the folds before loading. Failure to do so may cause the originals to jam).
- Originals bound with clips or staples (Remove the clips or staples and straighten curls, wrinkles or creases before loading. Failure to do so may cause the originals to jam).

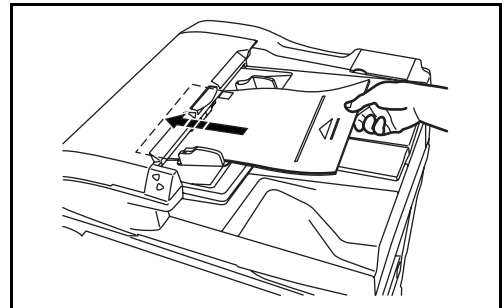
How to Load Originals

CAUTION: Before loading originals, be sure that there are no originals left on the original eject table. Originals left on the original eject table may cause the new originals to jam.

- 1** Adjust the original width guides to fit the originals.



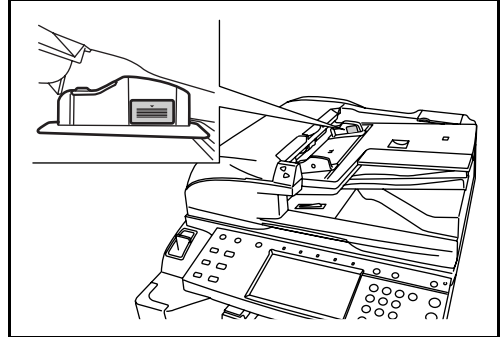
- 2** Place the originals. Put the side to be scanned (or the first side of two-sided originals) face-up. Slide the leading edge into the document processor as far as it will go. The originals placement indicator will be lit.



CAUTION: Confirm that the original width guides exactly fit the originals. If there is a gap, readjust the original width guides. The gap may cause the originals to jam.

Ensure that loaded originals do not exceed the level indicated. Exceeding the maximum level may cause the originals to jam (see the figure below).

Originals with punched holes or perforated lines should be placed in such a way that the holes or perforations will be scanned last (not first).



3 Basic Operation

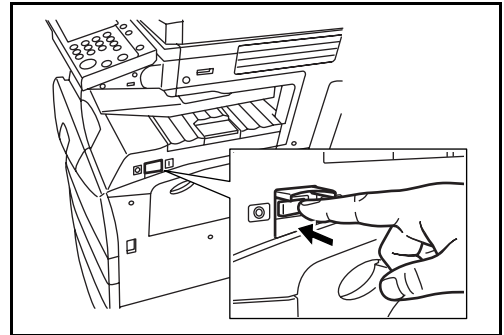
This chapter explains the following operations.

- Power On/Off..... 3-2
- Sleep and Auto Sleep..... 3-4
- Adjusting Operation Panel Angle 3-5
- Touch Panel Display..... 3-6
- Copying 3-7
- Printing - Printing from Applications 3-18
- Sending 3-20
- Specifying Destination 3-34
- Using Document Box..... 3-37
- Printing a Document Stored in Removable USB
Memory 3-48
- Canceling/Viewing/Changing Job..... 3-50
- Checking Remaining Toner and Paper..... 3-54
- Quick Setup Screen 3-55

Power On/Off

Power On

Open the main power switch cover and turn the main power switch on.



Blinking/Lighting of each Key/Indicator

When turning on the main power switch, the Key/Indicator such as the **Copy** key or the **Send** key blinks.

Blinking: This function is in preparation. When each key is ready, the indicator lights out one by one.

Light-out: This function is ready.

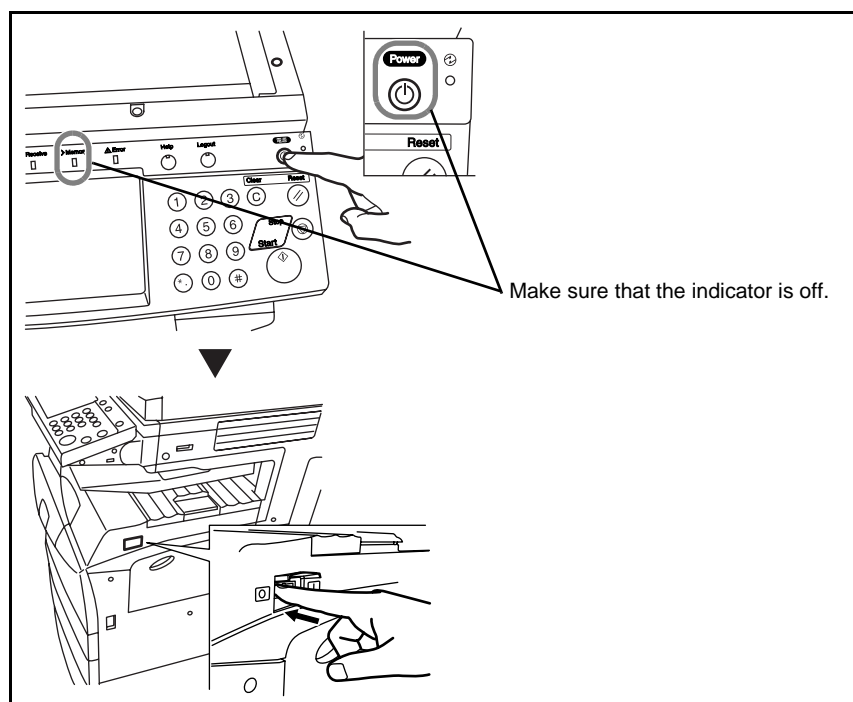
Light on: This function is selected. [Copy] is selected as the default so that the **Copy** key/indicator lights on first.

NOTE: The key which indicator is off can be used even if any other key remains blinking.

Power Off

When turning off the main power switch, press the **Power** key on the operation panel to off. Make sure that the **Power** key and the memory indicator are off before turning off the main power switch.

CAUTION: Turning off the main power switch before pressing the **Power** key to off may cause damage to the standard internal hard disk.



In case of not using the machine for extended period of time



CAUTION: If the machine will not be used for hours (overnight, etc.), turn the main power switch off. If it will not be used for an extended period of time (vacations, etc.), remove the power plug from the outlet for safety purposes.

CAUTION: Do not turn the main power switch off when the optional fax kit is installed. If you turn the main power switch off, you cannot receive FAX messages.

Sleep and Auto Sleep

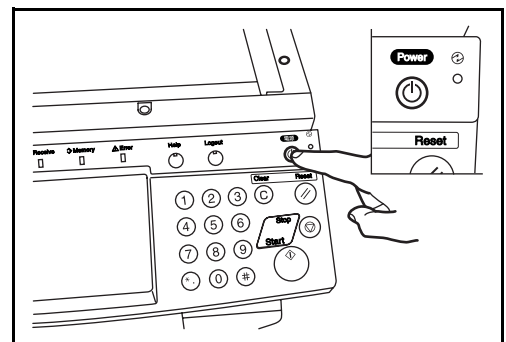
Sleep

To enter Sleep, press the **Power** key. All indicators on the touch panel will go out to save power consumption except the Main Power indicator. This status refers to Sleep.

If print data is received during Sleep, the print job is performed while the touch panel remains unlit.

When using optional fax, received fax data is printed out also with the operation panel remaining unlit.

To resume, press the **Power** key. The machine will be ready to operate within 15 seconds.

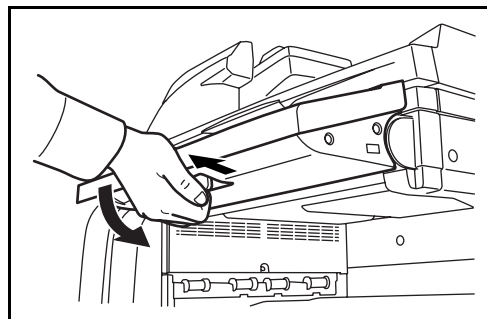


Auto Sleep

Auto Sleep automatically switches the machine into Sleep if left idle for a preset time. The default preset time is 45 minutes for the 30 and 40 ppm models, and 90 minutes for the 50 ppm model.

Adjusting Operation Panel Angle

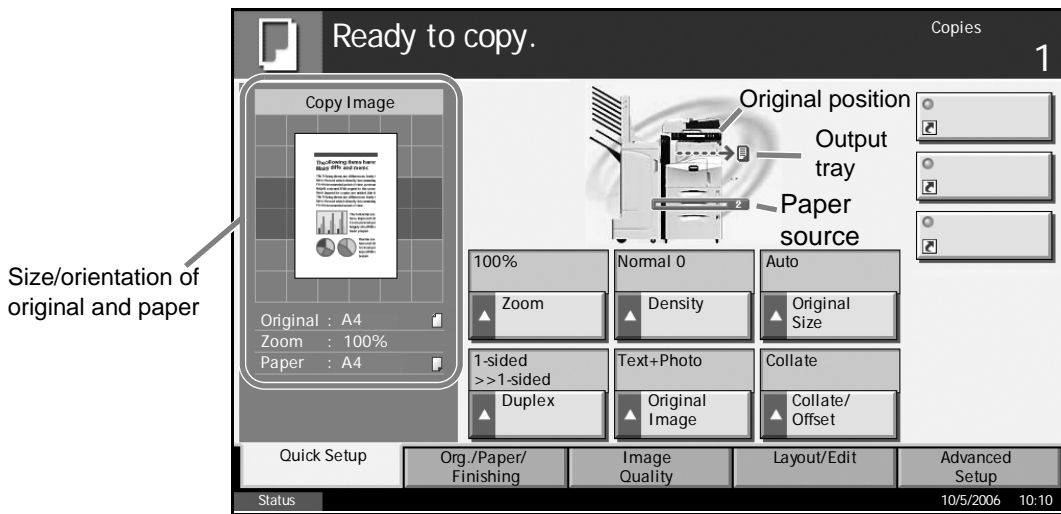
Adjust the angle of the operation panel in two steps by releasing the operation panel lock lever.



Touch Panel Display

Display of Originals and Paper

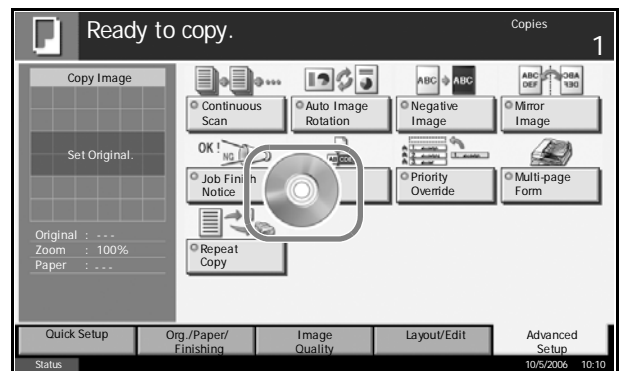
The touch panel displays the selected paper source and output tray.



Display in Changing Screen

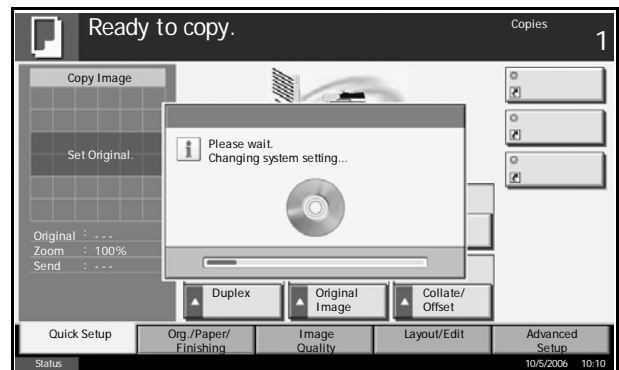
The stand-by display (icon) may appear when the touch panel screen is changed.

Normal stand-by display



Stand-by Display When System Menu Operation Is Completed

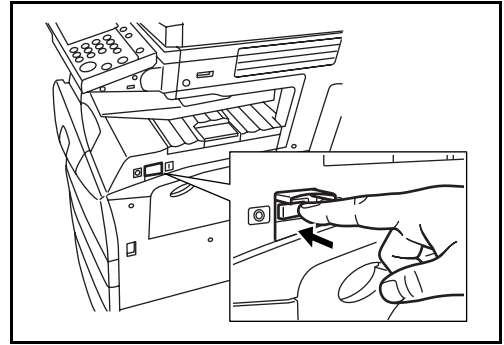
When the system menu operation is completed and another function (such as copying) is used, the display below appears.



Copying

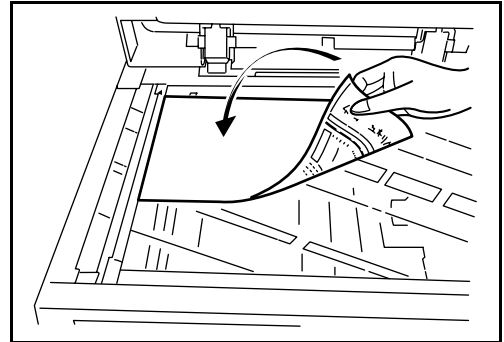
Follow the steps as below for basic copying.

- 1 Press the **Copy** key when the **Copy** key/indicator is off.



NOTE: If you place the original and press the **Start** key before the copier has warmed up, only the scanning is performed in advance and the copying job starts upon completion of the warm-up.

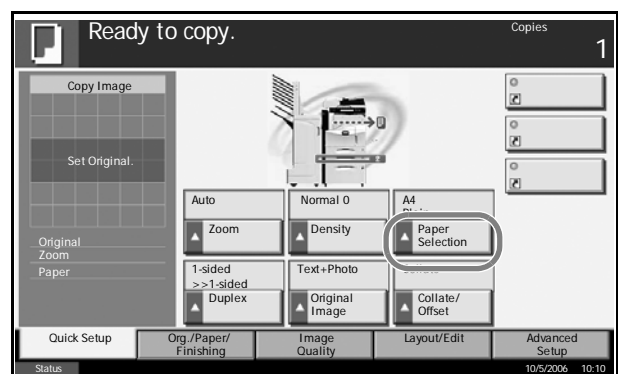
- 2 Place the originals on the platen or in the optional document processor.



NOTE: For loading instructions, refer to *Loading Originals on page 2-25*.

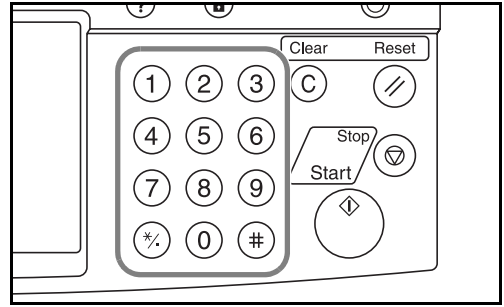
- 3 Check that [Auto] is selected of *Paper Selection* on the touch panel. Paper that matches the size of the original will be selected automatically.

To change the paper size, press [Paper Selection] and select desired paper source.

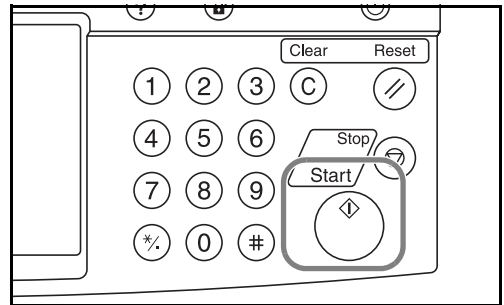


NOTE: Select paper size manually, if necessary, instead of using automatic paper selection.

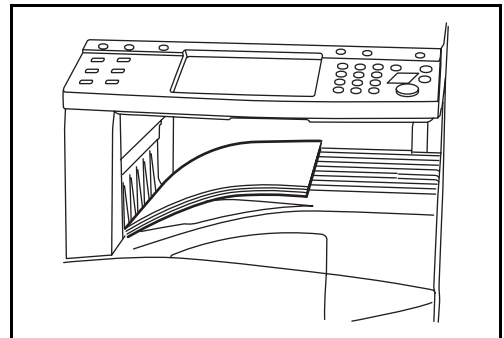
- 4** Use the numeric keys to enter the copy quantity. Specify desired number up to 999.



- 5** Press the **Start** key to start copy.



- 6** Remove the finished copies from the top tray.

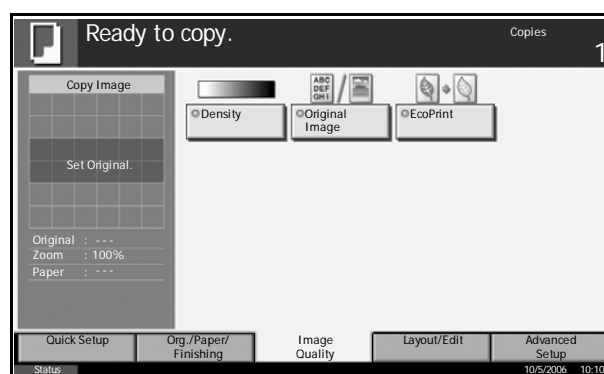


Adjusting Density

Adjust the copy density.

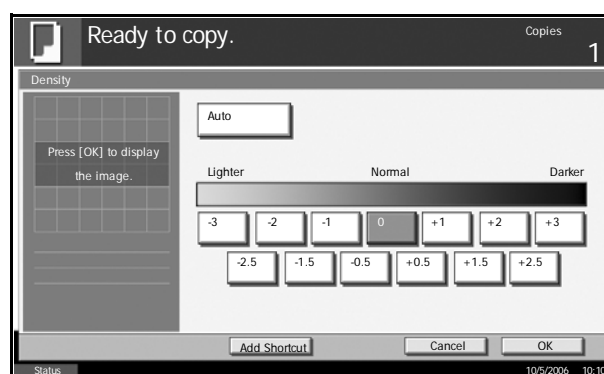
Density Adjustment Option	Description
Manual	Adjust density using the 7 or 13 levels.
Auto	Optimum density is selected depending on density of original.

- 1** Press [Image Quality] and then [Density].



- 2** Adjust density manually pressing [-3] (Lighter) to [+3] (Darker). You can change the density level [-3] (Lighter) to [+3] (Darker) by half a step.

To change density adjustment from [Manual] to [Auto], press [Auto].



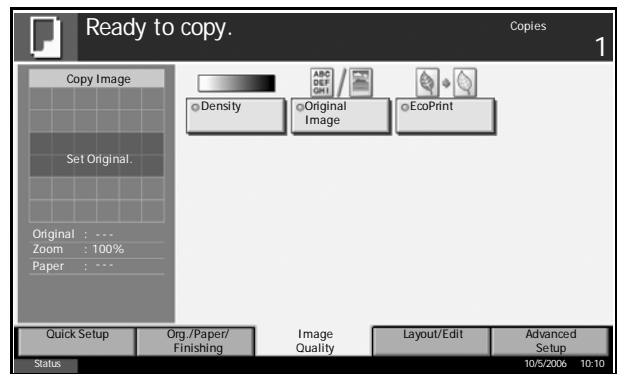
- 3** Press [OK].

Selecting Image Quality

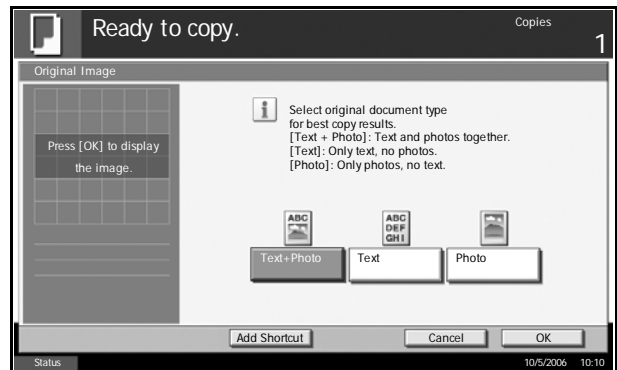
Select image quality suited to the type of original.

Image Quality Option	Description
Text+Photo	For originals with both text and photographs.
Text	For originals primarily consisting of text.
Photo	For originals primarily consisting of photographs.

- 1 Press [Image Quality] and then [Original Image].



- 2 Select the image quality.



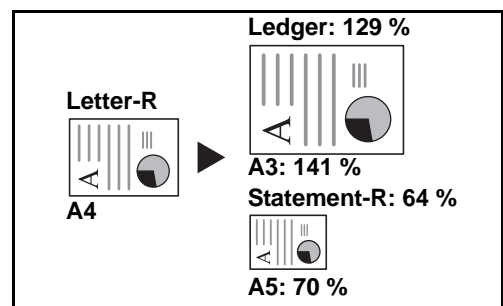
- 3 Press [OK].

Zoom Copying

Adjust the magnification to reduce or enlarge the original image. The following zoom options are available.

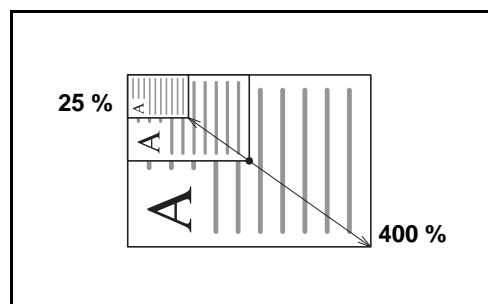
Auto Zoom

Automatically reduces or enlarges the original image suited to the selected paper size.



Manual Zoom

Manually reduces or enlarges the original image in 1% increment between 25 and 400%.



Preset Zoom

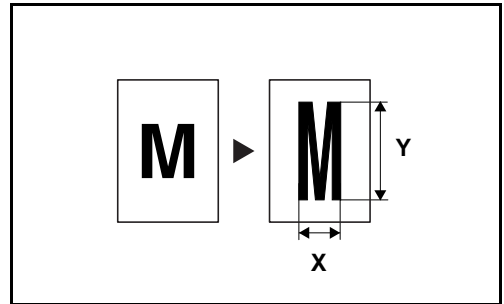
Reduces or enlarges at preset magnifications.

The following magnifications are available.

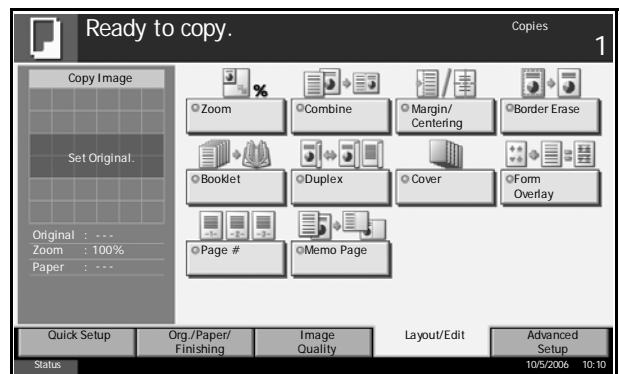
Model	Zoom Level (OriginalCopy)
Inch Models	100%, Auto, 400% (Max.), 200% (STMT>>Ledger), 154%(STMT>>Legal), 129% (Letter>>Ledger), 121% (Legal>>Ledger), 78% (Legal>>Letter), 77% (Ledger>>Legal), 64% (Ledger>>Letter), 50% (Ledger>>STMT), 25% (Min.)
Metric Models	100%, Auto, 400% (Max.), 200% (A5>>A3), 141% (A4>>A3, A5>>A4), 127% (Folio>>A3), 106% (11x15">>A3), 90% (Folio>>A4), 75% (11x15">>A4), 70% (A3>>A4, A4>>A5), 50%, 25% (Min.)
Metric Models (Asia Pacific)	100%, Auto, 400%, Max, 200% (A5>>A3), 141% (A4>>A3, B5>>B4), 122% (A4>>B4, A5>>B5), 115% (B4>>A3, B5>>A4), 86% (A3>>B4, A4>>B5), 81%(B4>>A4, B5>>A5), 70% (A3>>A4, B4>>B5), 50%, 25% (Min.)

XY Zoom

Select vertical and horizontal magnifications individually. Reduce or enlarge original images in 1% increments between 25% and 400%.



- 1 Press [Layout/Edit] and then [Zoom].



- 2 Press [Standard Zoom] to use Auto Zoom.

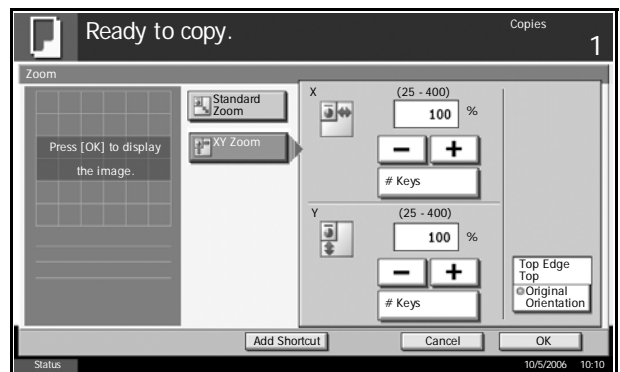
Press [+] or [-] to change the displayed magnification as desired. You can also enter the magnification directly using the numeric keys by pressing [# keys].

When using Preset Zoom, select the key of desired magnification.

When using XY Zoom, press [XY Zoom].

Press [+] or [-] to change the displayed magnifications of X

(horizontal) and Y (vertical). You can also enter the magnification directly using the numeric keys by pressing [# keys].



Press [Original Orientation] to select orientation of the originals, either [Top Edge Top] or [Top Edge Left]. Then press [OK].

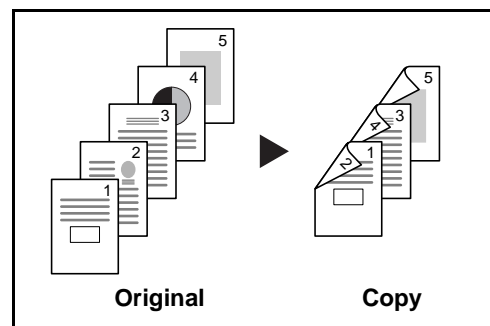
- 3 Press [OK].

Duplex Copying

Produce two-sided copies. The following duplex options are available.

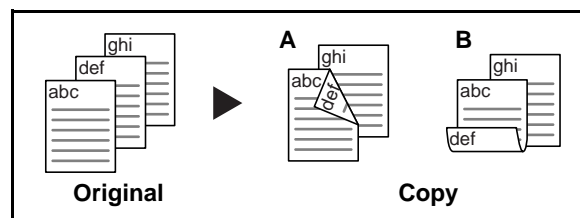
One-sided to Two-sided

Produces two-sided copies from one-sided originals. In case of an odd number of originals, the back side of the last copy will be blank.



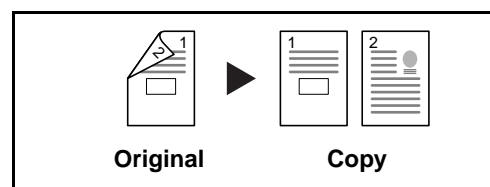
The following binding options are available.

- A Original Left/Right to *Binding Left/Right*: Images on the second sides are not rotated.
- B Original Left/Right to *Binding Top*: Images on the second sides are rotated 180°. Copies can be bound on the top edge, facing the same orientation when turning the pages.



Two-sided to One-sided

Copies each side of a two-sided original onto two individual sheets. Optional document processor is required.



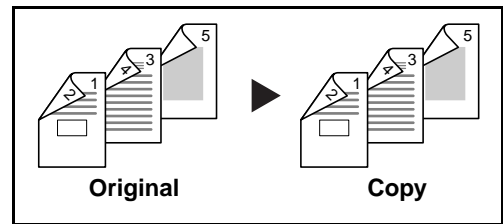
The following binding options are available.

Binding Left/Right: Images on the second sides are not rotated.

Binding Top: Images on the second sides are rotated 180°.

Two-sided to Two-sided

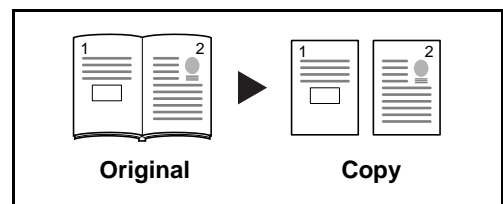
Produces two-sided copies from two-sided originals. Optional document processor is required.



NOTE: The paper sizes supported in Two-sided to Two-sided are Ledger, Legal, Letter, Executive Statement-R, Oficio II, 8.5x13.5", A3, B4, A4, B5, A5-R and Folio.

Book to One-sided

Produces a 1-sided copy of a 2-sided or open book original.



The following binding options are available.

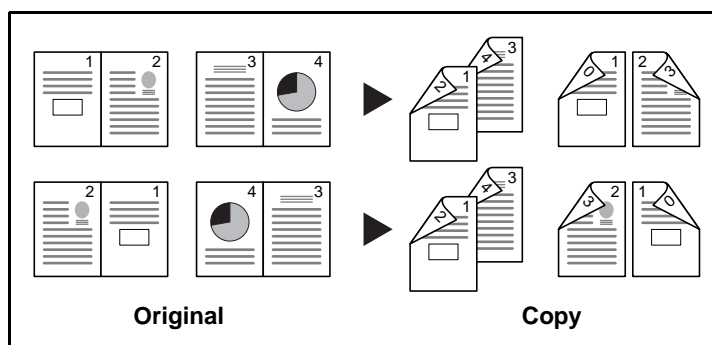
Binding Left: Originals with facing pages are copied from left to right.

Binding Right: Originals with facing pages are copied from right to left.

NOTE: The following sizes of originals and paper are supported in Two-sided to One-sided and Book to One-sided. Original: Ledger, Letter-R, A3, B4, A4-R, B5-R, A5-R and 8K. Paper: Letter, A4, B5 and 16K. You may change paper size and reduce or enlarge copy to match that size.

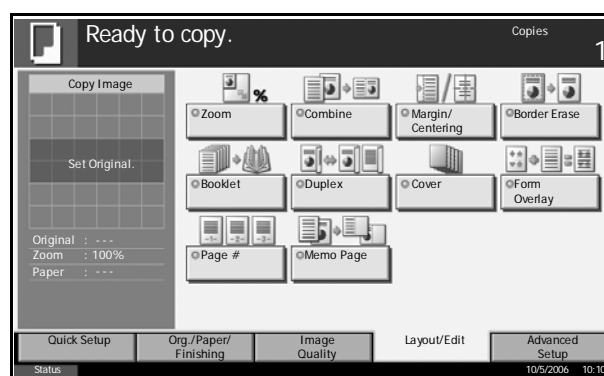
Book to Two-sided

Produces two-sided copies from an open book original with facing pages.

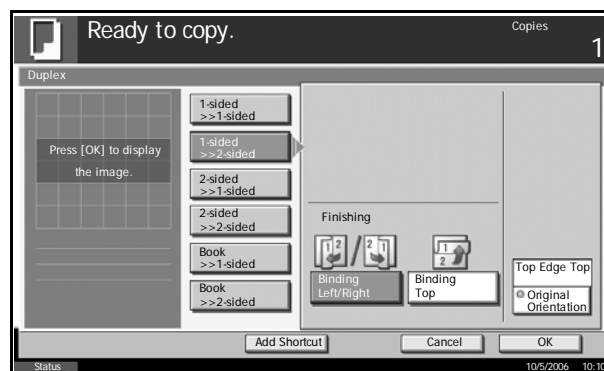


NOTE: The sizes of originals and paper supported in Book to Two-sided are Letter, A4, B5, and 16K.

- 1 Press [Layout/Edit] and then [Duplex].



- 2 Select the desired Duplex option.



- 3 If you choose [2-sided>>2-sided], [2-sided>>1-sided], [Book>>1-sided] or [Book>>2-sided], select the binding edge of the originals of *Original*.
- 4 If you choose [1-sided>>2-sided], [2-sided>>2-sided] or [Book>>2-sided], select the binding edge of the finished copies of *Finished*.
- 5 Press [Original Orientation] to select orientation of the originals, either [Top Edge Top] or [Top Edge Left]. Then press [OK].

- 6 Press [OK].
- 7 Place the originals and press the **Start** key.

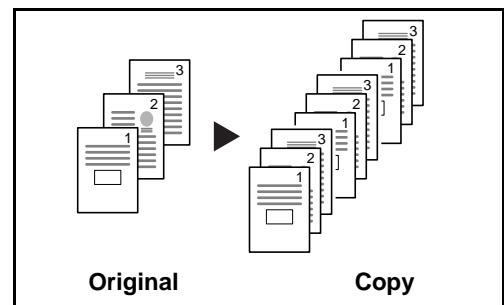
If the original is placed on the platen, scan it and replace it with a next one. Then, press the **Start** key.

After scanning all originals, press [Scan Finish] to start copying.

Collate/Offset Copying

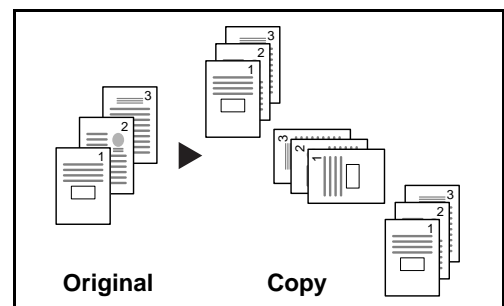
Collate

Scan multiple originals and deliver complete sets of copies as required according to page number.



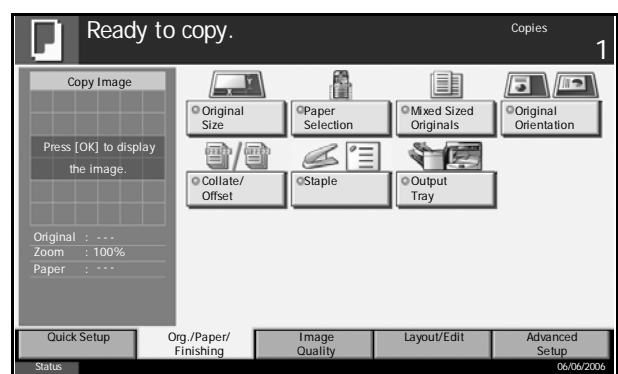
Offset

Use offset to produce copies after rotating each set (or page) by 90°.



NOTE: To use offset function, load the same sized paper with different orientation in the paper source other than the selected paper source. The paper sizes supported in Offset are A4, B5, Letter and 16K.

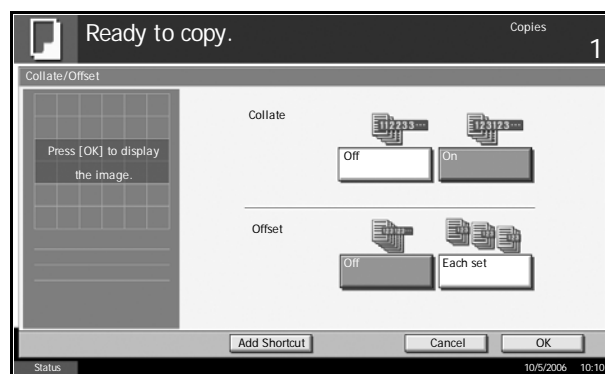
- 1 Press [Org./Paper/Finishing] and then [Collate/Offset].



2 To use collate copying, press [On] of *Collate*.

To use offset copying, press [Off] or [Each set] of *Offset*.

Press [OK].



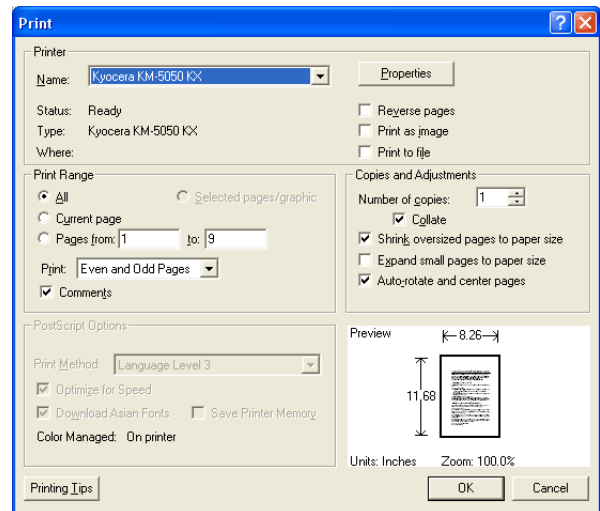
3 Use the numeric keys to enter the copy quantity.

4 Place the originals and press the **Start** key.

Printing - Printing from Applications

Follow the steps below to print documents from applications.

- 1 Create a document using an application.
- 2 Click **File** and select **Print** in the application. The **Print** dialog box appears.
- 3 Click Name of Printer and select this machine from the list.



- 4 Enter the desired print quantity in **Number of copies** box. Enter any number up to 999.

When there is more than one document, select **Collate** to print output one by one in the sequence of the page numbers.

- 5 Click **Properties**. The **Properties** dialog box appears.

- 6 Select **Basic** tab and click **Page Size** to select the paper size.

To print on the special paper such as thick paper or transparency, click **Media Type** menu and select the paper type.

- 7 Click **Source** and select the paper source.

NOTE: If you choose **Auto Select**, papers are supplied automatically from the paper source loaded with the papers of optimum size and type. To print on the special paper such as envelope or thick paper, place it on the Multi Purpose Tray and select **MP Tray**.

- 8 Select paper orientation, either **Portrait** or **Landscape**, to match the orientation of the document.

If you select **Rotated**, the document will be printed after being rotated 180°.

- 9 Click **OK** button to return to the **Print** dialog box.

10 Click **OK** button to start printing.

Sending

Follow the steps below for basic sending. The following four options are available.

- Send as E-mail: Sends a scanned original image as an attached file of E-mail...*page 3-20*
- Send to Folder (SMB): Stores a scanned original image in a shared folder of any PC...*page 3-22*
- Send to Folder (FTP): Stores a scanned original image in a folder of FTP server...*page 3-25*
- Image Data Scanning with TWAIN: Loads the document data stored in custom box to PC...*page 3-28*

NOTE: Originals in color can be scanned by adding more memory in the machine. Consult with your service.

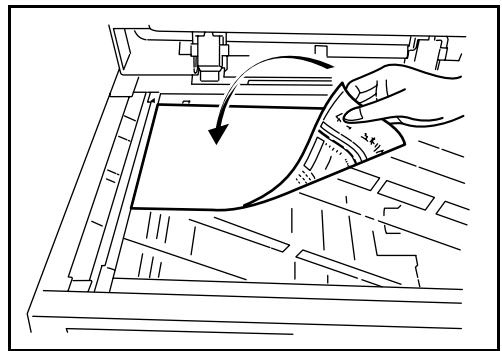
Different sending options can be specified in combination. Refer to *Sending to Different Types of Destinations (Multi Sending)* on *page 3-36*.

Send as E-mail

Sends a scanned original image as an attached file of E-mail.

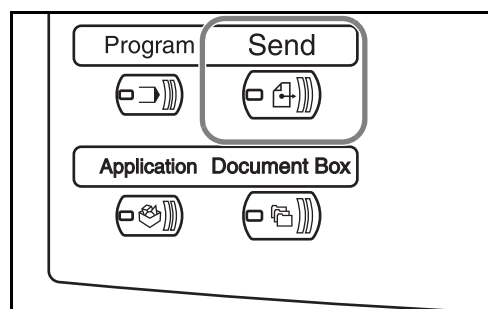
NOTE: To enable sending as E-mail, network connection and SMTP server setting are required. Consult your system administrator about the setting.

- 1** Place the originals on the platen or in the optional document processor.



NOTE: For loading instructions, refer to *Loading Originals* on *page 2-25*.

- 2 Press the **Send** key.



- 3 Press [E-mail Addr Entry] and then [E-mail Address].

NOTE: Destination can be specified using the address book or the **one-touch** keys. Refer to *Specifying Destination on page 3-34*.

- 4 Enter destination E-mail address and press [OK].



- 5 Press [To:], [Cc:] or [Bcc:] to change the recipient status as necessary.

To specify another destination, go to the next step. To specify only one destination, go to the step 7.

- 6 Press [Next Dest.] and repeat the steps 4 and 5 to specify the destination. Up to 100 E-mail addresses can be specified.

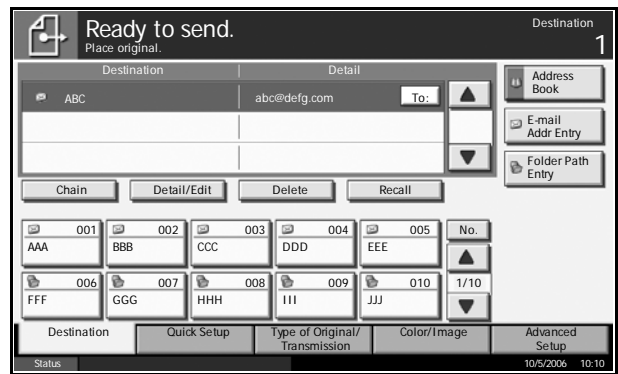
NOTE: When [Add to Addr Book] is displayed, the destinations are registered in the address book.

- 7 Press [OK]. The destinations are registered in the destination list.

- 8 Check the destination list.

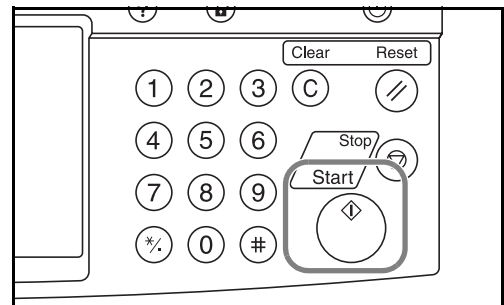
Select a destination and press [Detail/Edit] to check and edit it. Refer to the steps 4 and 5 to edit the destination as necessary.

Select a destination and press [Delete] to remove the destination from the list.



9 Change the original size, scan resolution, etc. if necessary.

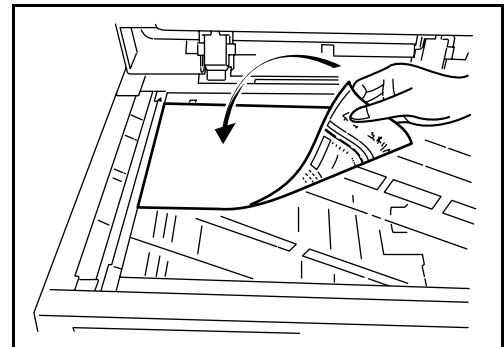
10 Press the **Start** key. The scanned original is sent to the specified E-mail address.



Send to Folder (SMB)

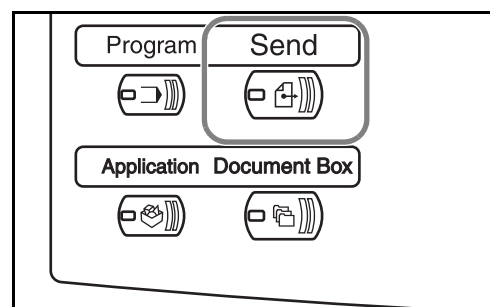
Stores a scanned original image file in the specified shared folder of any PC.

1 Place the originals on the platen or in the optional document processor.



NOTE: For loading instructions, refer to *Loading Originals* on page 2-25.

- 2 Press the **Send** key.



- 3 Press [Folder Path Entry] and then [SMB].

NOTE: Destination can be specified using the address book or the **one-touch** keys. For details, refer to *Specifying Destination* on page 3-34.

- 4 Enter host name, path, user name and password. Press the key of the item to be entered, and the entry screen appears.

- 5 Enter the destination data and press [OK].

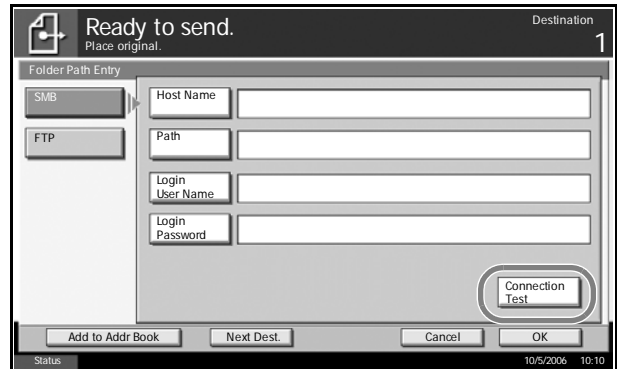
Data to be entered are as follows.

Item	Data to be entered	Max. characters
Host name*	Host name or IP address of the PC to receive the data	Up to 62 characters
Path	Path to the receiving folder such as follows. For example, <code>User\ScanData</code> .	Up to 126 characters

Item	Data to be entered	Max. characters
Login User Name	User name to access the PC	Up to 62 characters
Login Password	Password to access the PC	Up to 62 characters

* Specify the port number different from the default (139) using the format of Host Name: Port No.

6 Upon completion of all entries, press [Connection Test] to check the connection.



NOTE: *Connected* appears when connection to the destination is correctly established. If *Cannot connect* appears, review the entry.

To specify another destination, go to the next step. To specify only one destination, go to the step 8.

7 Press [Next Dest.] and repeat the steps 4 to 6 to specify the destination. Up to 10 folders can be specified.

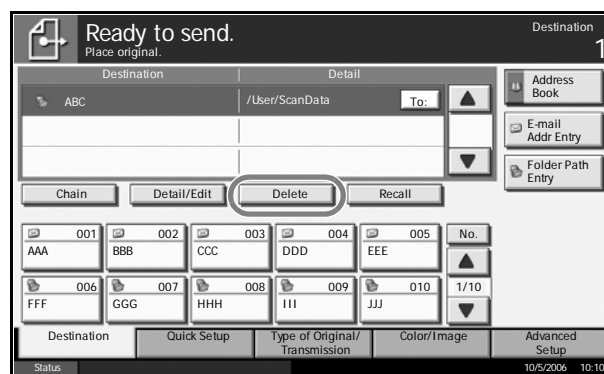
NOTE: When [Add to Addr Book] is displayed, the entry is registered in the address book.

8 Press [OK] to register the entry in the destination list.

9 Check the destination list.

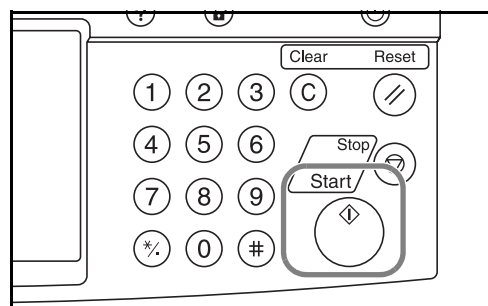
Select a destination and press [Detail/Edit] to check and edit it. Edit it, if necessary, referring to the steps 5 to 7.

Select a destination and press [Delete] to remove the destination from the list.



10 Change the original size, scan resolution, etc. if necessary.

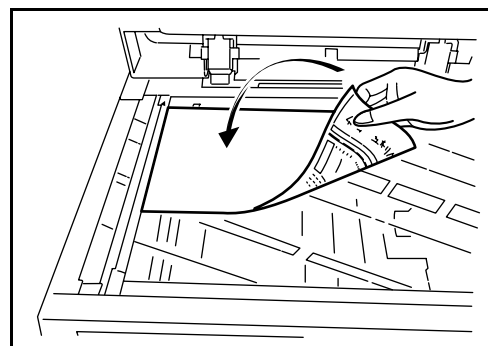
11 Press the **Start** key. The scanned original data file is sent to the specified shared folder of PC.



Send to Folder (FTP)

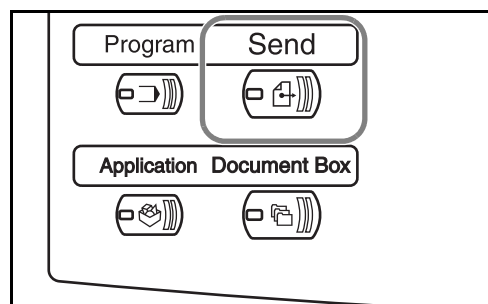
Stores a scanned original image in a folder of FTP server.

1 Place the originals on the platen or in the optional document processor.



NOTE: For loading instructions, refer to *Loading Originals* on page 2-25.

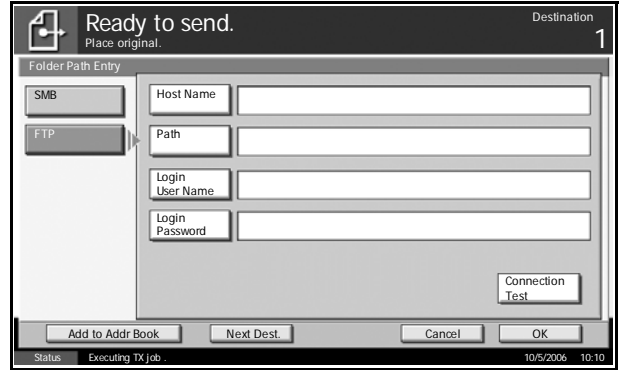
2 Press the **Send** key.



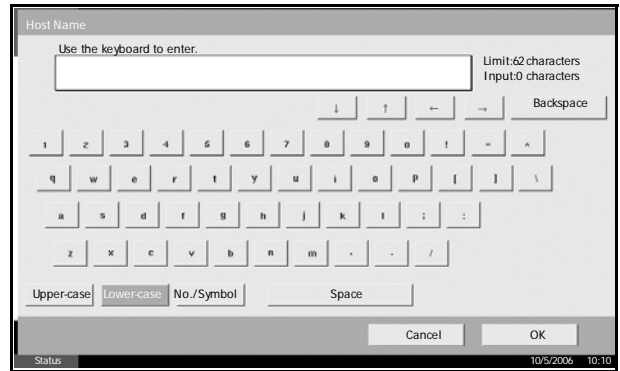
- 3 Press [Folder Path Entry] and then [FTP].

NOTE: Destination can be specified using the address book or the **one-touch** keys. Refer to *Specifying Destination* on page 3-34.

- 4 Enter host name, path, user name and password. Press the key of the item to be entered, and the entry screen appears.



- 5 Enter the destination data and press [OK].



Data to be entered are as follows.

Item	Data to be entered	Max. characters
Host name*	Host name or IP address of FTP server	Up to 62 characters
Path	Path to the receiving folder. For example, <code>\User\ScanData</code> . Otherwise the data will be saved in home directory.	Up to 126 characters
Login User Name	FTP server log-in user name	Up to 62 characters
Login Password	FTP server log-in password	Up to 62 characters

* Specify the port number different from the default (21) using the format of Host Name: Port No.

- 6** Upon completion of all entries, press [Connection Test] to check the connection.

NOTE: *Connected* appears when connection to the destination is correctly established. If *Cannot connect* appears, review the entry.

If you wish to specify another destination, go to the next step. If the destination is only one, go to the step 8.

- 7** Press [Next Dest.] and repeat the steps 5 to 7 to specify the destination. Up to 10 folders (total number of SMB and FTP folders) can be specified.

NOTE: When [Add to Addr Book] is displayed, the entry is registered in the address book.

- 8** Press [OK] to register the entry in the destination list.

- 9** Check the destination list.

Select a destination and press [Detail/Edit] to check and edit it. Edit it, if necessary, referring to the steps 4 to 6.

Select a destination and press [Delete] to remove the destination from the list.

- 10** Change the original size, scan resolution, etc. if necessary.

- 11 Press the **Start** key. The scanned original data file is saved to the specified FTP server.

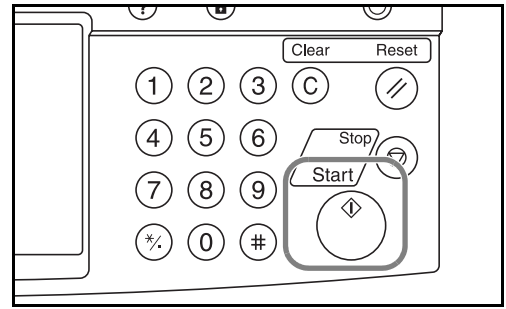


Image Data Scanning with TWAIN

Download the document data stored in custom box to PC.

NOTE: The document data must already be stored in the Custom Box. For detail, see *Using Document Box on page 3-37*.

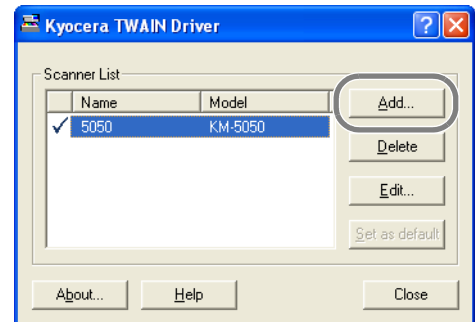
Adding the machine to PC

Add this machine to PC to select the machine's Custom Box.

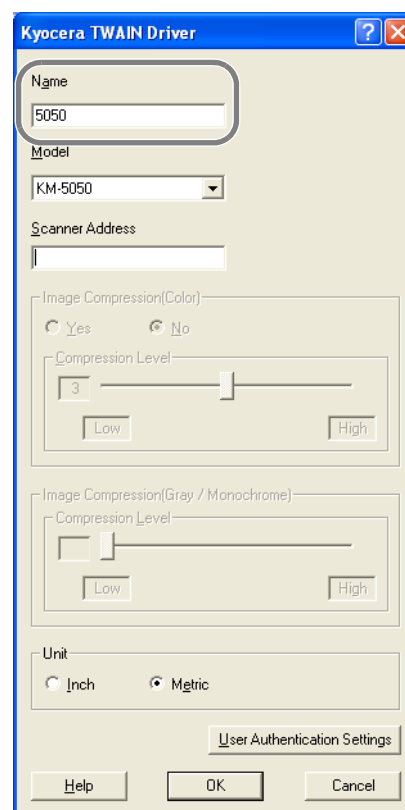
- 1 Select **Start** button of the Windows display, **All Programs**, and then **TWAIN Driver Setting**.

NOTE: You can also add the machine to PC when selecting Start of the Windows display, **Control Panel** and then **TWAIN Driver Setting**.

- 2 Click **Add** button.



- 3 Enter the machine name in **Name** field.



- 4 Select the machine from **Model** field.
- 5 Enter the machine address in **Scanner Address** field.

NOTE: When the machine address is unknown, contact Administrator.

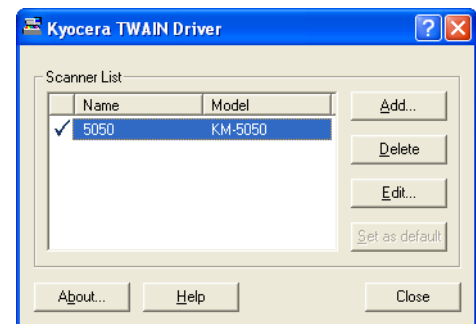
- 6 Select **Inch** or **Metric**.
- 7 Click **User Authentication Settings** button.

- 8 Select the checkbox beside **Authentication**, enter Login User Name (up to 64 characters) and Password (up to 64 characters) and then click **OK** button.



- 9 Click **OK** button.
- 10 The machine is added to PC and the machine name and model name are displayed in **Scanner List** field.

NOTE: Click **Delete** button to delete the added machine. Click **Edit** button to change names.



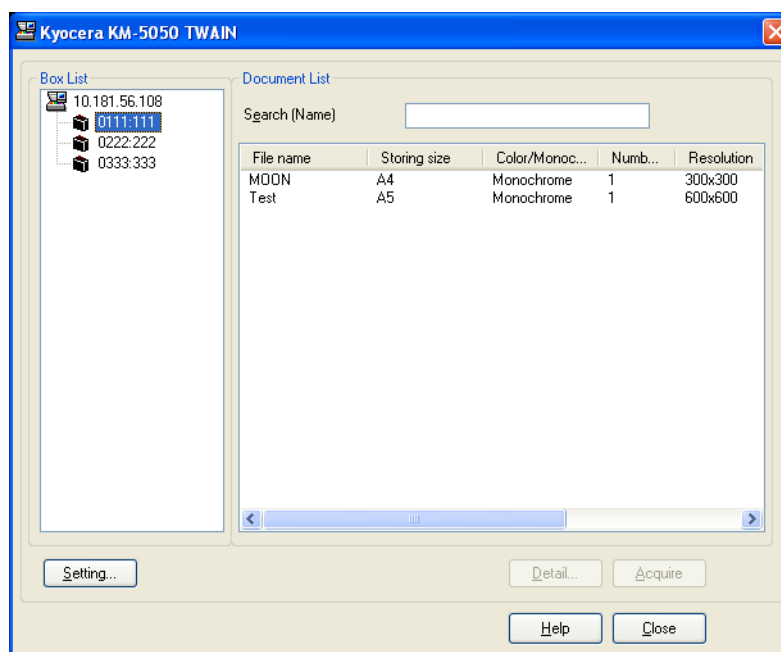
Scanning document data

Scan the document data stored in the Custom Box of the machine.

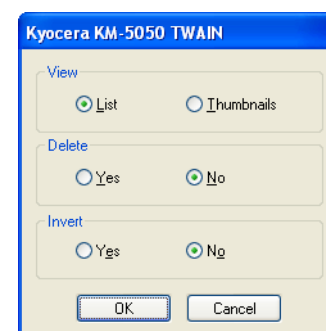
- 1 Activate the TWAIN compatible application.
- 2 Select the machine using the application and display the TWAIN dialog box.

NOTE: For selecting the machine, see the Operation Guide or Help for each application software.

- 3** Select Custom Box storing the document data to be scanned from Box List field. The document data in Custom Box appears in **Document List** field.



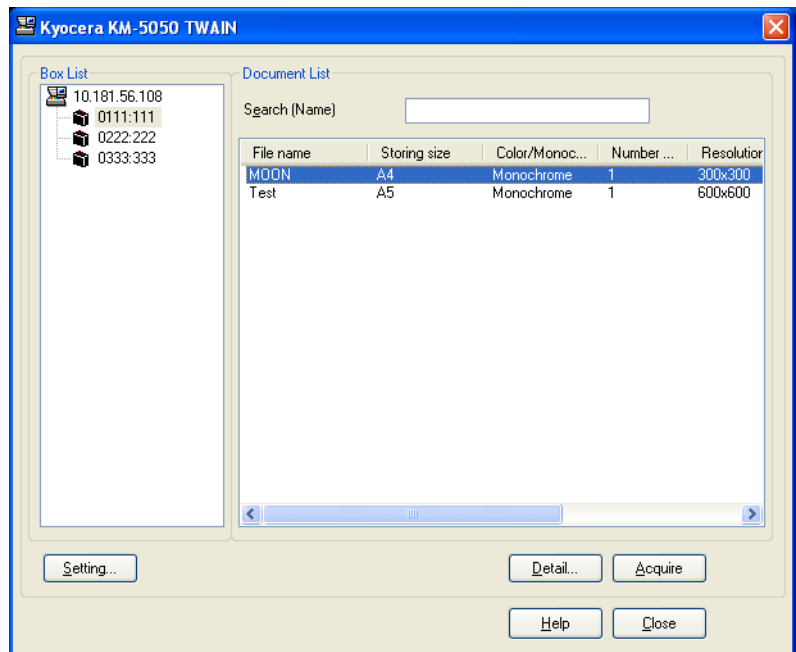
- 4** Set how to display the document data. Click **Setting** button to select each item.



Item	Description
View	Change the display in Document List field to List or Thumbnails.
Delete	After scanning the document data, delete the data from Custom Box.
Invert	Invert the document data color to start scanning.

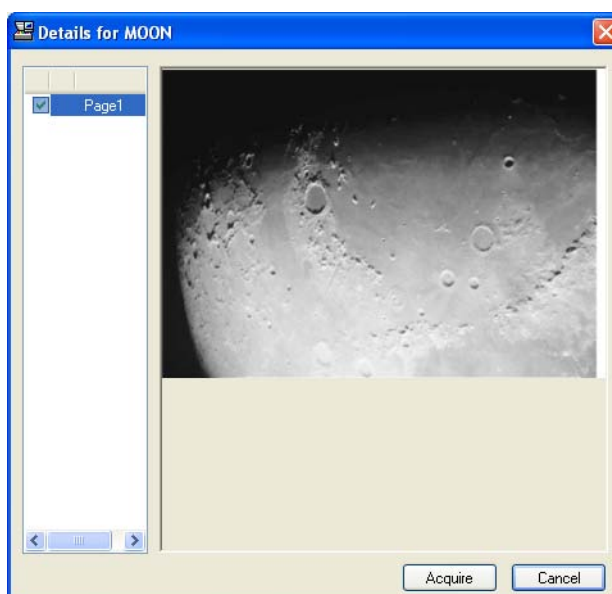
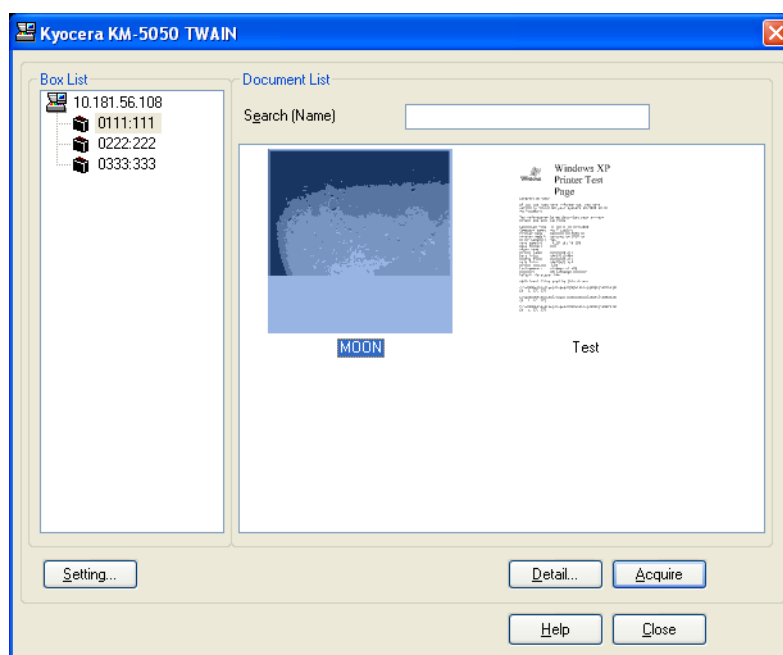
- 5** Click **OK** button.

6 Select the document data to be scanned from **Document List** files.



Enter the document data name in **Search** field to find the data having the same document data name or the same beginning of the document data name.

- 7 Click **Detail** button to display the selected document data. When the document data includes multiple pages, select the checkbox beside the pages you want to scan. The selected pages will be scanned.



- 8 Click **Acquire** button. The document data is scanned.

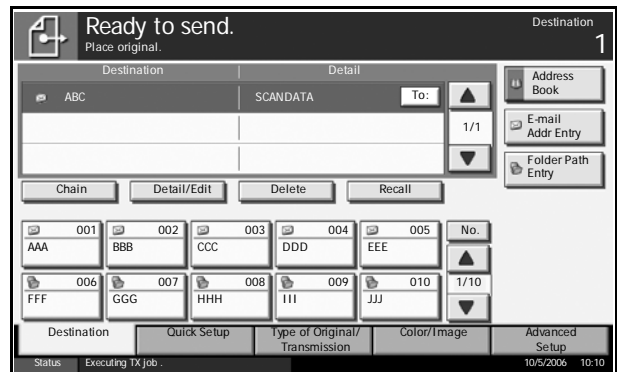
Specifying Destination

When specifying destination, choose from the address book or use the **one-touch** keys.

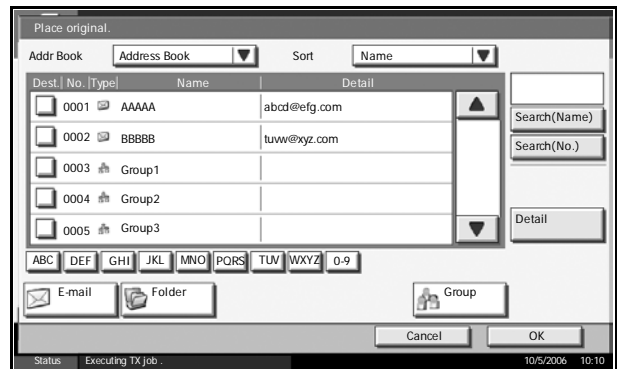
Choosing from Address Book

Select the destination registered in the address book.

- 1 In the basic screen for sending, press [Address Book].



- 2 Press the checkbox to select the desired destination from the list. You may choose multiple destinations. The selected destination is indicated by a checkmark in the check box.



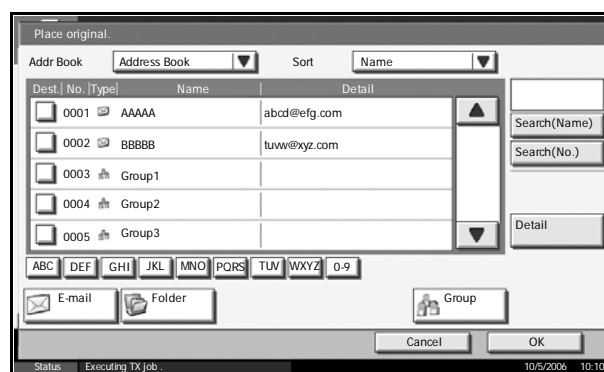
NOTE: To cancel the selection, press the check box and remove the check mark.

- 3 When sending as E-mail, press [To:], [Cc:] or [Bcc:] to change the recipient status if necessary.
- 4 Press [OK] to register the selected destination in the destination list.

NOTE: To delete the destination in the list, select the destination and press [Delete].

Destination Search

Destinations registered in the address book can be searched. Advanced search by type or by initial letter is also available.



Keys used	Search type	Subjects searched
1	Search by name	Search by registered name.
2	Search by address number	Search by registered address number.
3	Advanced search by destination type	Advanced search by type of registered destination (E-mail, Folder (SMB/FTP), FAX or Group). (FAX: Only when optional fax kit is installed).
4	Advanced search by initial letter	Advanced search by initial letter of registered name.

Search by name

Press [Search(Name)] and enter the required name.

Search by address number

Press [Search (No.)] and enter the address number you wish to search.

Advanced search by destination type

Press any of [E-mail], [Folder], [FAX] or [Group]. The destinations registered by that type are displayed.

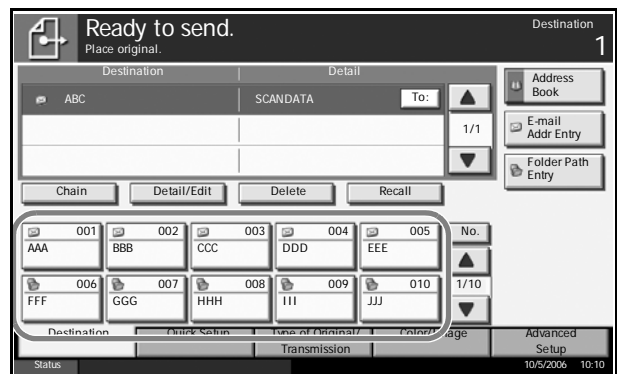
Advanced search by initial letter

Press the key for the required initial letter.

Choosing by One-Touch Key

Select the destination using the **one-touch** key.

In the basic screen for sending, press the **one-touch** key where the destination is registered.

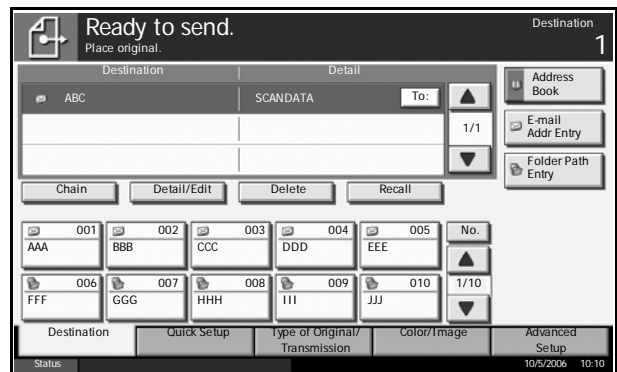


NOTE: If the **one-touch** key for desired destination is hidden on the touch panel, press [▼] or [▲] to scroll and view next or previous **one-touch** key.

Choosing by Speed Dial

Access the destination by specifying 3-digit **one-touch** key number (speed dial).

In the basic screen for sending, press the **No.** key and enter 3-digit **one-touch** key number in the numeric entry screen.



Sending to Different Types of Destinations (Multi Sending)

Multiple types of destinations, E-mail, Folder (SMB/FTP) or FAX (option), may be specified at one time for sending. This is called *Multi Sending*, a useful feature that allows transmission to different types of destinations (E-mail, folder, etc.) with a single operation.

Procedures are the same as used in specifying the destinations of respective types. Continue to enter E-mail address or folder path so that they appear in the destination list. Press the **Start** key to launch transmission to all destinations at one time.

Using Document Box

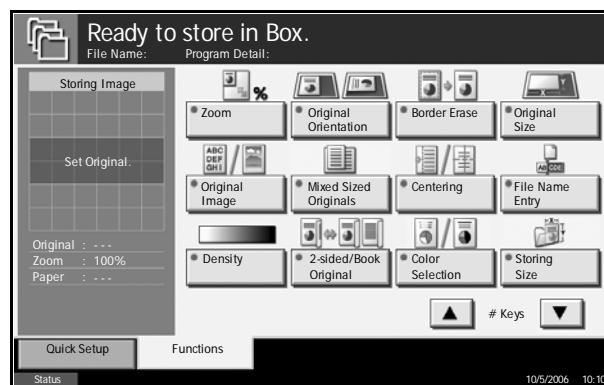
Follow the steps as below for basic operations for using document box.

NOTE: It is assumed that a custom document box has already been created and registered.

Storing Document in Custom Box

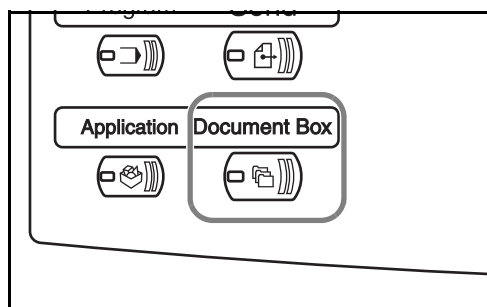
Store documents in the custom box.

- 1 Place the originals on the platen or in the optional document processor.

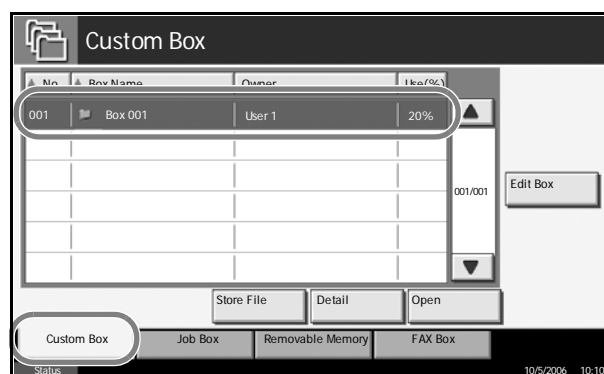


NOTE: For loading instructions, refer to *Loading Originals* on page 2-25.

- 2 Press the **Document Box** key.

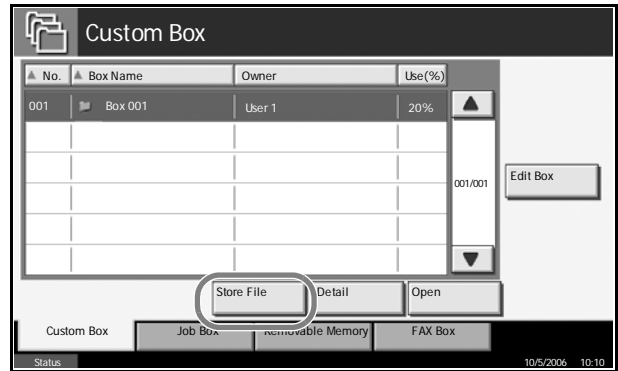


- 3 Press [Custom Box] and select the box in which the file is to be stored.



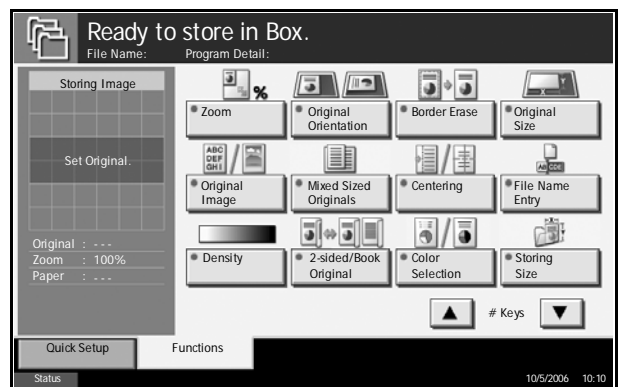
NOTE: The custom box to store a file needs to be created in advance.

- 4 Press [Store File].

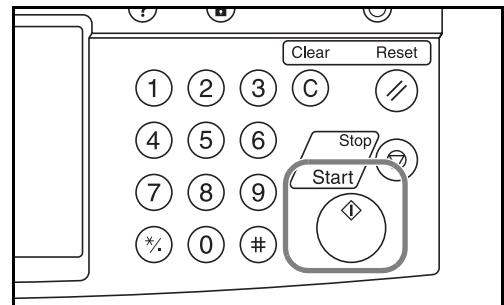


NOTE: If a password is set for the custom box in advance, enter the correct password.

- 5 Change the original type, scan density, etc. if necessary.



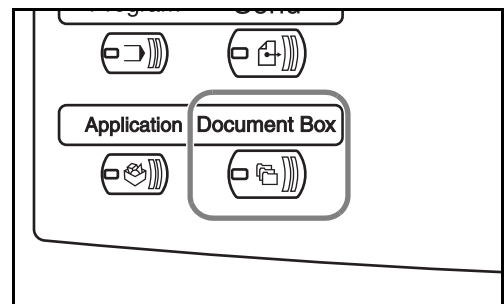
- 6 Press the **Start** key. The original will be scanned and its data will be stored in the specified document box.



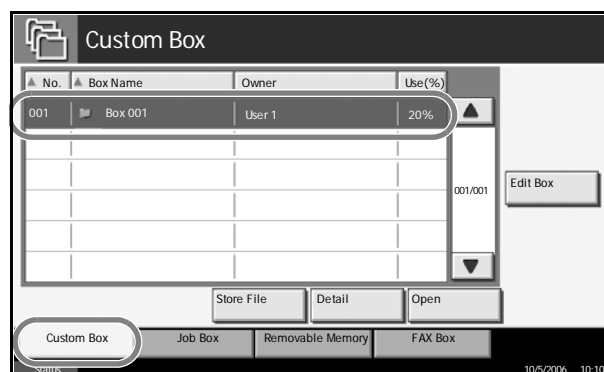
Printing Document Stored in Custom box

Print the documents stored in the custom box.

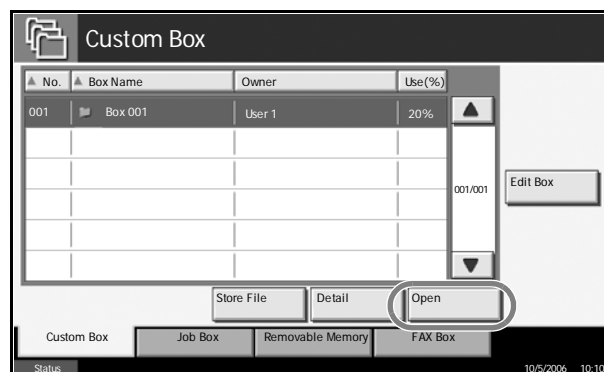
- 1 Press the **Document Box** key.



- 2 Press [Custom Box] and select the box containing the document you wish to print.



- 3 Press [Open].



NOTE: If a password is set for the custom box in advance, enter the correct password.

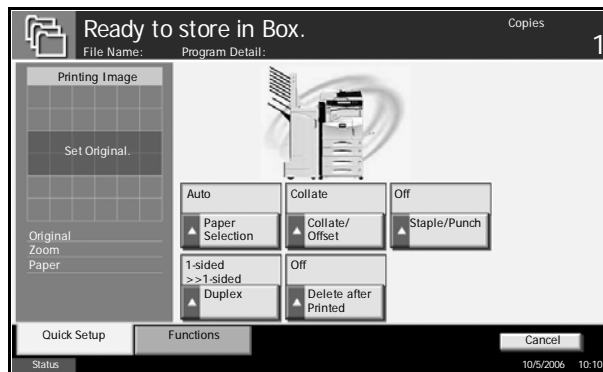
- 4 From the list, select the checkbox beside the document to be printed. The selected document is indicated by a checkmark in the check box.



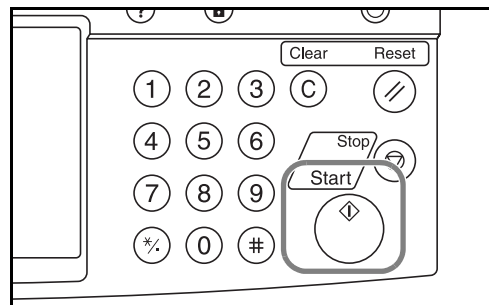
NOTE: Multiple documents cannot be selected and printed. To cancel the selection, press the check box and remove the check mark.

- 5 Press [Print].

- 6 Change paper selection, 1-sided/2-sided print, etc. if necessary.



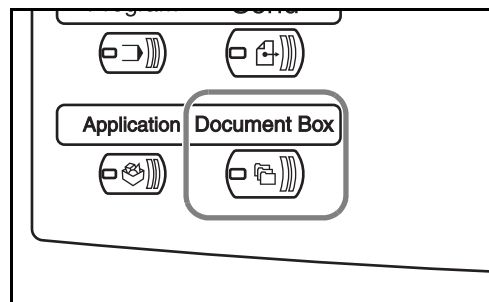
- 7 Press the **Start** key to start printing the selected document.



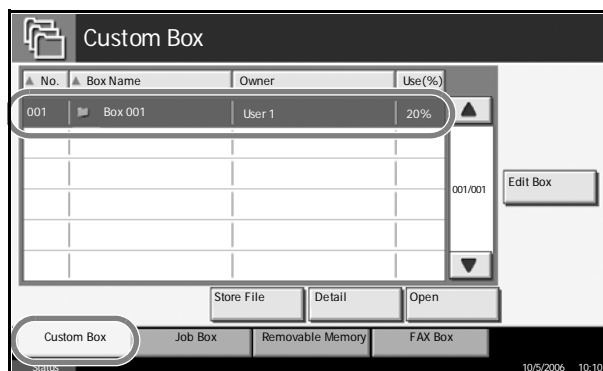
Sending Document Stored in Custom Box

Send the documents stored in the custom box.

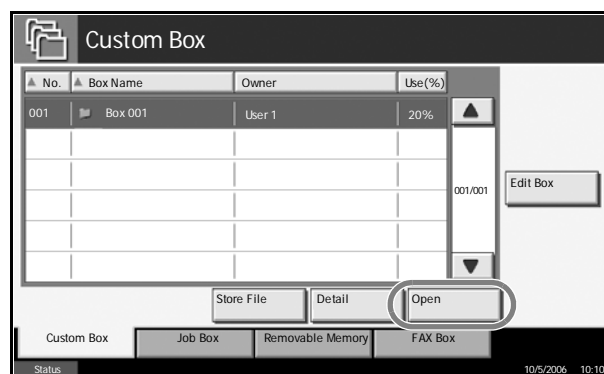
- 1 Press the **Document Box** key.



- 2 Press [Custom Box] and select the box containing the document you want to be sent.

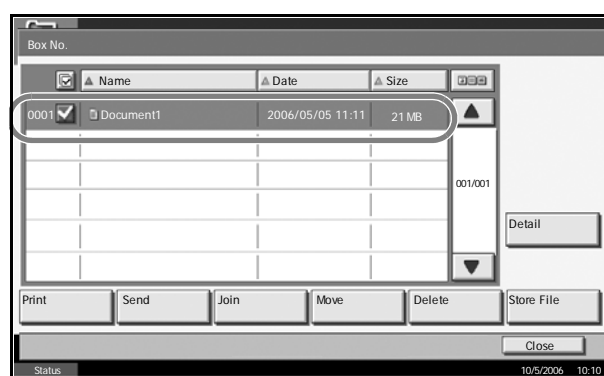


- 3 Press [Open].



NOTE: If a password is set for the custom box in advance, enter the correct password.

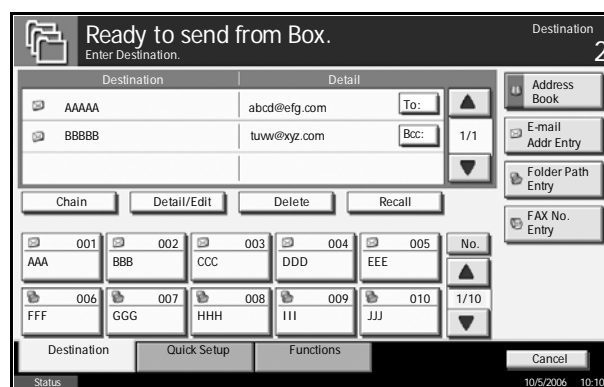
- 4 From the list, select the checkbox beside the document to be sent. The selected document is indicated by a checkmark in the check box.



NOTE: Multiple documents cannot be selected and printed. To cancel the selection, press the check box to remove the check mark.

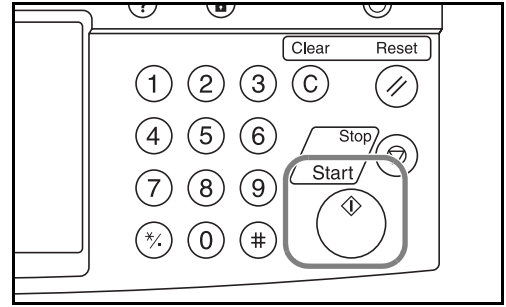
- 5 Press [Send].

- 6 Specify the destination.



NOTE: Refer to *Specifying Destination* on page 3-34 on how to choose destinations.

- 7 Press the **Start** key to start sending the selected document.

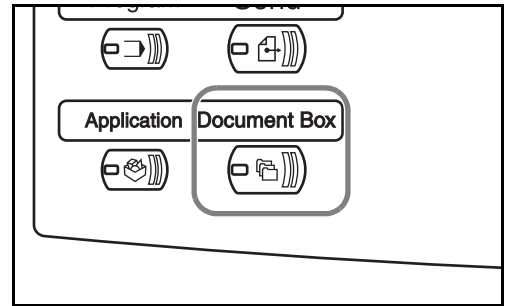


Editing Document Stored in Custom Box

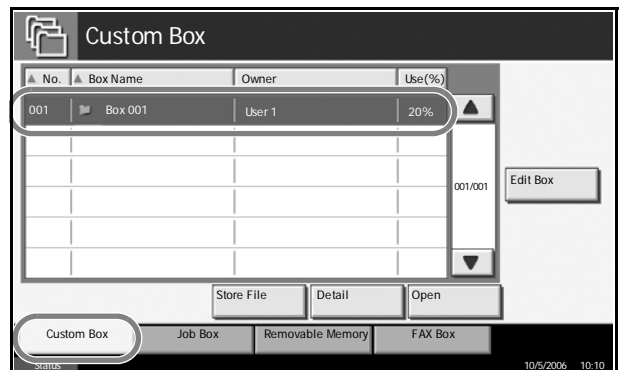
Move a document from one custom box to another or join multiple documents together.

Move Documents

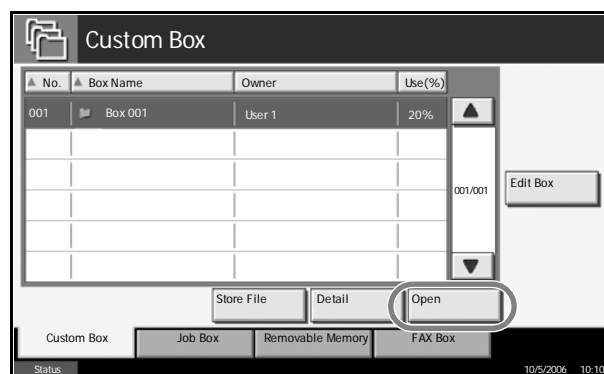
- 1 Press the **Document Box** key.



- 2 Press [Custom Box] and select the box containing the document to be moved.

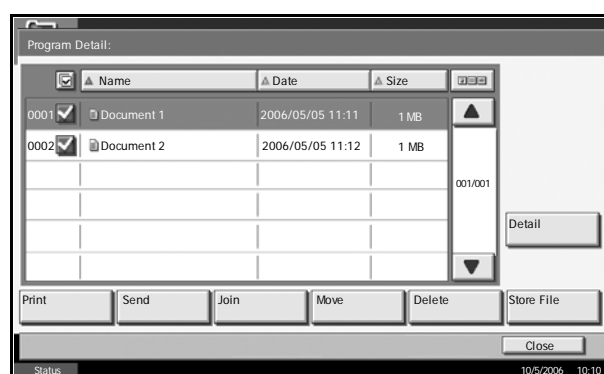


- 3 Press [Open].



NOTE: If a password is set for the custom box in advance, enter the correct password.

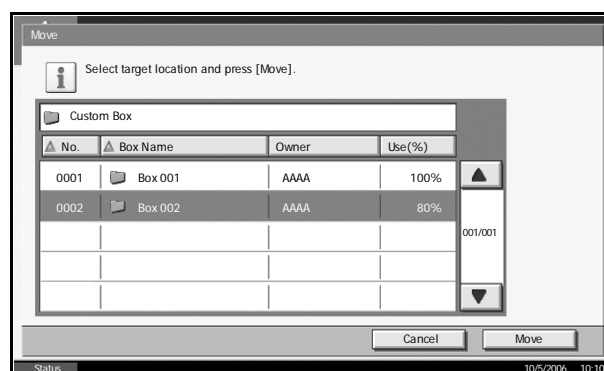
- 4 From the list, select the check box beside the document to be moved. The selected document is indicated by a checkmark in the check box.



NOTE: To cancel the selection, press the check box to remove the check mark.

- 5 Press [Move].

- 6 Select the destination box and press [Move]. The document will be moved to the box.



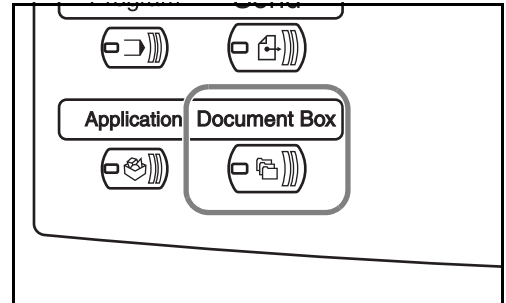
NOTE: If a password is set for the destination box in advance, enter the correct password.

Join Documents

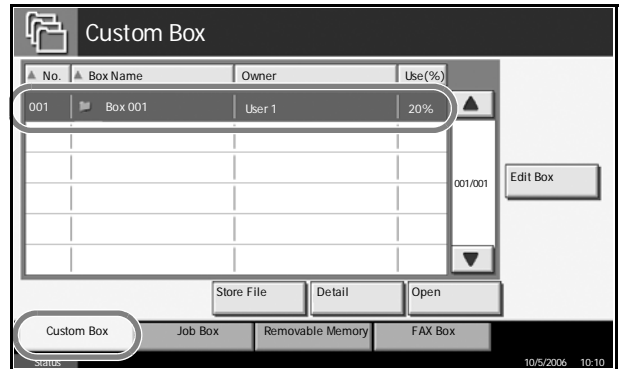
Join the documents stored in the custom box.

NOTE: Only documents contained in the same custom box can be joined. If necessary, move the documents to the same custom box in advance.

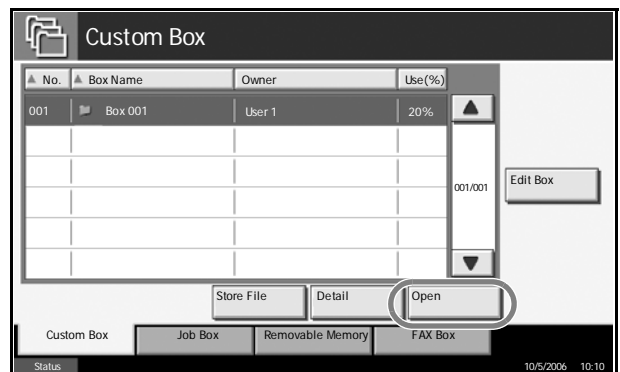
- 1 Press the **Document Box** key.



- 2 Press [Custom Box] and select the box containing the documents to be joined.

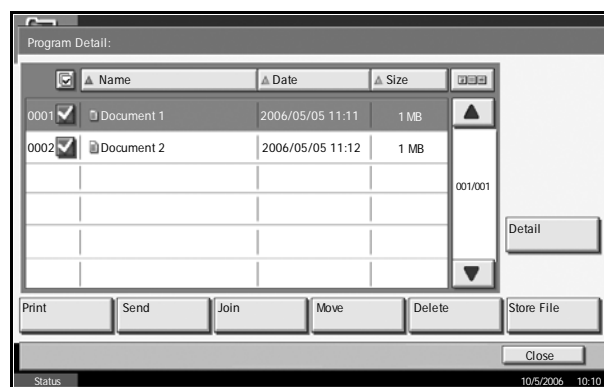


- 3 Press [Open].



NOTE: If a password is set for the custom box in advance, enter the correct password.

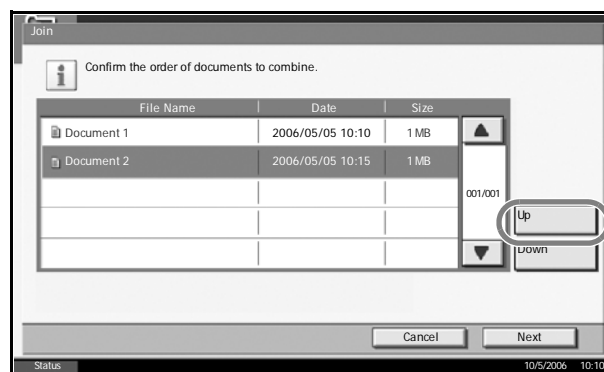
- 4** From the list, select the check box to indicate the documents to be joined. Up to 10 documents can be joined. The selected documents are indicated by a checkmark in the check box.



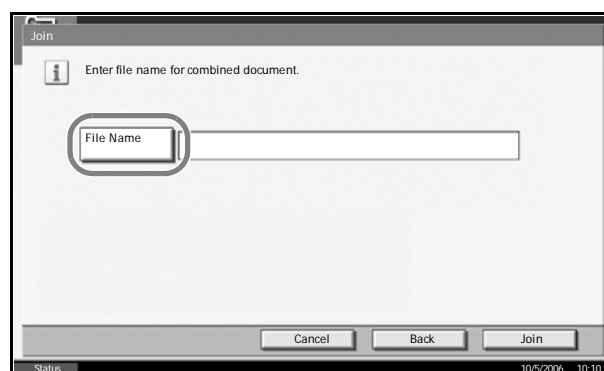
NOTE: To cancel the selection, press the check box and remove the check mark.

- 5** Press [Join].
- 6** Arrange the documents in the desired order.

Press the document to be rearranged. The document will be highlighted. Press [Up] or [Down] to move the document up or down according to the order to be joined.



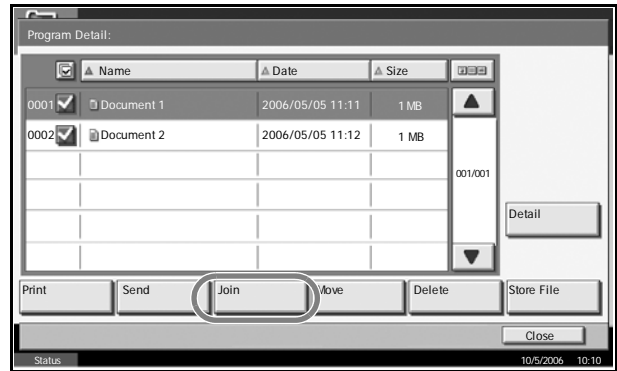
- 7** Press [Next].
- 8** Press [File Name].



- 9** Enter a new file name for the documents joined, and press [OK].

NOTE: Refer to the *Appendix* for entering characters.

- 10 Press [Join]. The documents will be joined.



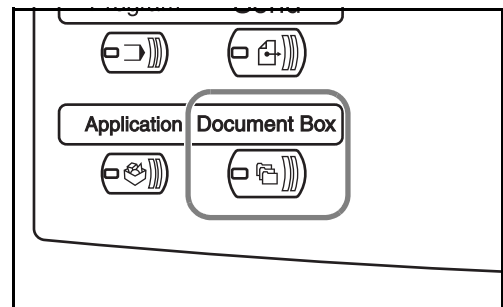
NOTE: Original documents before joining are retained. Delete them if unnecessary.

Printing Document Stored in Job Box

Print the documents stored in the job box. The following boxes and documents are contained in the job box.

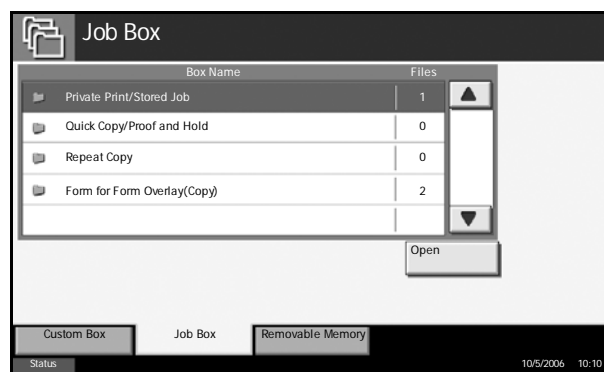
Type of box contained	Documents stored
Private Print/Stored Job	Print jobs stored by using Private Print or Stored Job functions.
Quick Copy/Proof and Hold	Print jobs stored by using Quick Print or Proof and Hold functions.
Repeat Copy	Copy job with Repeat Copy setting.
Form for Form Overlay (Copy)	Form data used for Form Overlay (Copy).

- 1 Press the **Document Box** key.

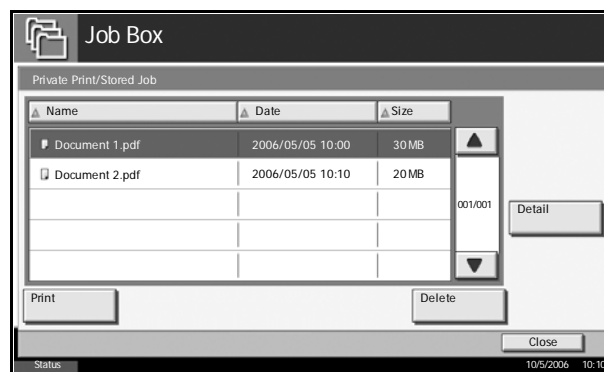


- 2 Press [Job Box].

- 3** Select the box containing the document to be printed among [Private Print/Stored Job], [Quick Copy/Proof and Hold], [Repeat Copy] or [Form for Form Overlay(Copy)]. Press [Open].



- 4** Select the document to be printed and press [Print] to start printing.



NOTE: If a password is set for the custom box in advance, enter the correct password.

Printing a Document Stored in Removable USB Memory

Connect a removable USB memory to the machine to print PDF data stored in the memory. Printing can be performed easily without using PC.

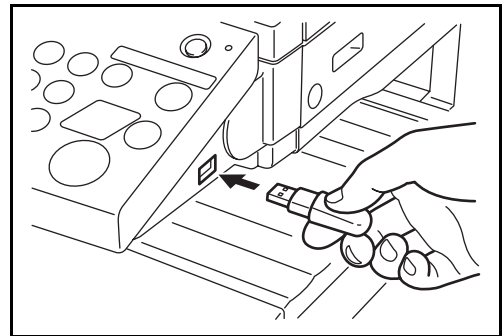
Limitations

- Only PDF file data (version 1.4 or earlier) is printable.
- High compression PDF files and encrypted PDF files are not supported.
- PDF file you wish to print should have an extension (.pdf).
- The PDF file to print must be at the root directory of the USB memory.
- Multiple documents cannot be selected and printed.
- Use the USB memory properly formatted by this machine.
- Plug a USB memory directly into the USB memory slot. We do not warrant that USB memory printing is error free if a USB hub is used.

Printing

Print documents stored in the removable USB memory.

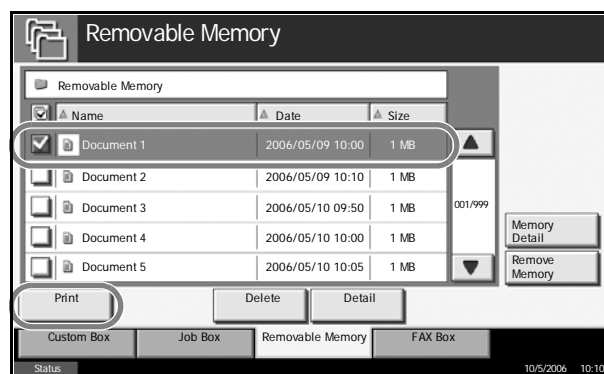
- 1** Press the **Document Box** key.
- 2** Plug a USB memory into the USB memory slot.



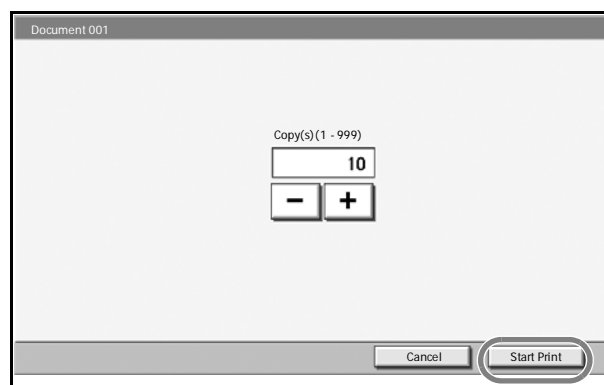
NOTE: Use the USB memory formatted by this machine. If a USB memory formatted by any other device is used, *Removable Memory is not formatted.* may appear. To format a USB memory, press [Format] and follow the instructions on the screen.

- 3** Press [Removable Memory].

- 4** Select the file to be printed and press [Print].



- 5** Enter the number of copies you wish to print by using [+] / [-] or the numeric keys. Then press [Start Print] to start printing.

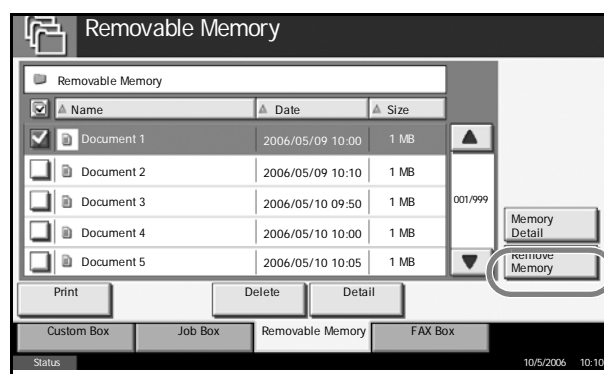


Removing USB Memory

Remove the USB memory.

CAUTION: Be sure to follow the proper procedure to avoid damaging the destruction of data or USB memory.

- 1 Press the **Document Box** key.
- 2 Press [Removable Memory].
- 3 Press [Remove Memory].



- 4 Remove the USB memory after *Removable Memory can be safely removed* is displayed.

Canceling/Viewing/Changing Job

Follow the steps below to cancel any print or send job being executed, view job detail, or perform the waiting print job first (*Priority Override*).

Job handling operation is done in the *Status/Job Cancel* screen.

Canceling Job

Cancel any job while it is under printing, sending or waiting.

NOTE: Printing of data received by fax cannot be cancelled.

- 1 Press the **Status/Job Cancel** key.
- 2 Press any of [Printing Jobs], [Sending Jobs] or [Storing Jobs].

Jobs which can be cancelled in each screen are as follows.

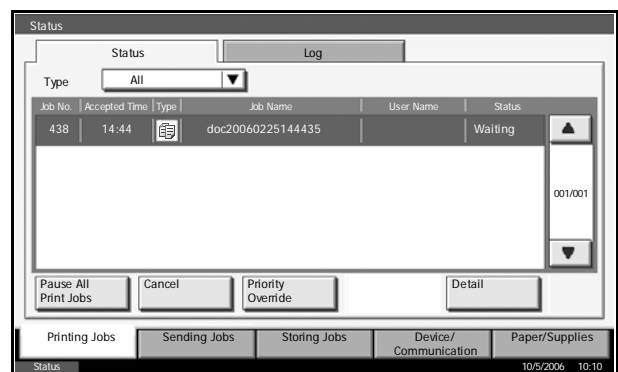
[Printing Jobs]: 7 jobs of Copy, Printer, Box, FAX, E-mail reception, Removal Memory and Report

[Sending Jobs]: 5 jobs of E-mail, Folder, TWAIN, FAX, Multiple (combination of *multi sending* methods)

[Storing Jobs]: 3 jobs of Scan, Printer and Fax

- 3 Select the job you wish to cancel and press [Cancel]. *Canceling* will appear of *Status* and the job will be canceled.

NOTE: The canceled job will be displayed in the *Log* screen.

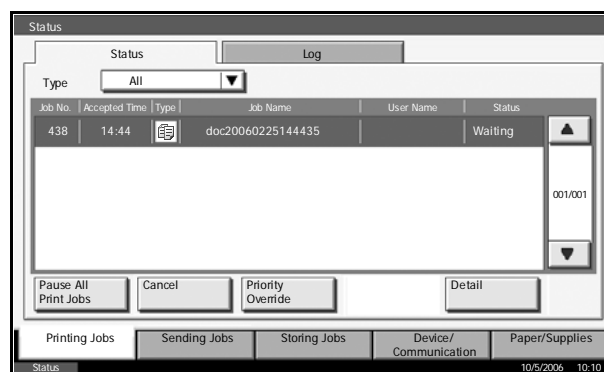


- 4 Repeat the steps 2 and 3 to cancel other jobs.

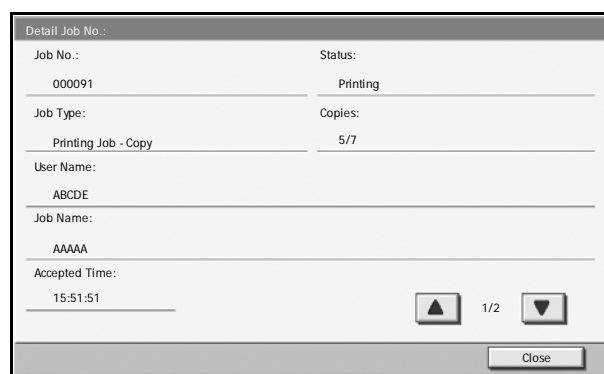
Viewing Job Detail

View the status of the job being executed or under waiting.

- 1 Press the **Status/Job Cancel** key.
- 2 Press any of [Printing Jobs], [Sending Jobs] or [Storing Jobs].
- 3 Select the job you wish to view and press [Detail].



- 4 Details of the selected job will be displayed.



NOTE: Press [▲] or [▼] to view next detail. In the sending job, view the destination by pressing [Detail] of *Destination* or *Status/Destination*.

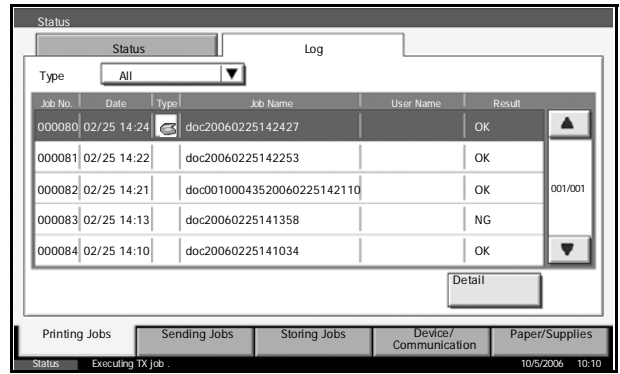
- 5 Press [Close] to end viewing.

Viewing Job Log

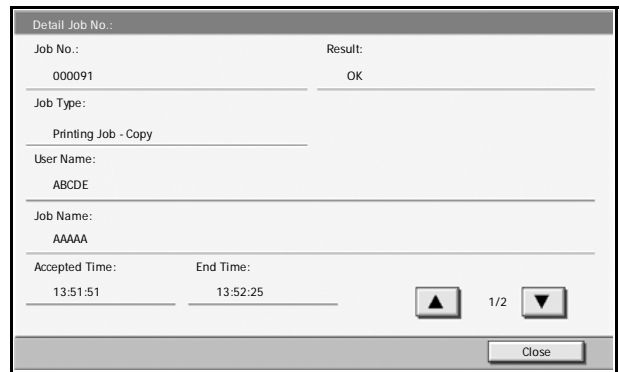
View the jobs that have been finished or canceled.

- 1 Press the **Status/Job Cancel** key.
- 2 Press any of [Printing Jobs], [Sending Jobs] or [Storing Jobs]. Then press [Log].

- 3 Select the job you wish to view and press [Detail].



- 4 Details of the selected job will be displayed.



NOTE: Press [▲] or [▼] to view next detail. Press [Detail] of *Destination* or *Status/Destination* in the Sending Jobs to view the destinations.

- 5 Press [Close] to end viewing.

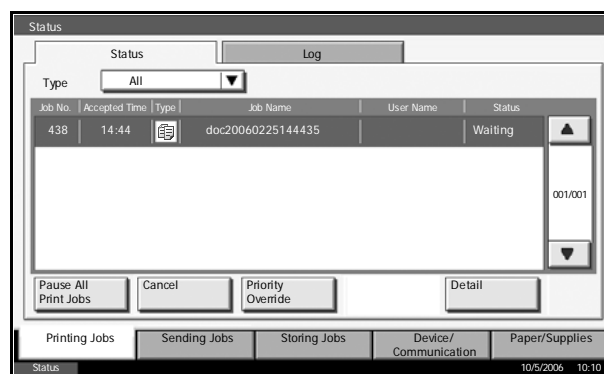
Print Job Suspension and Interruption (Priority Override)

Suspend the current print job temporarily to run a more urgent queued job. This refers to *Priority Override*.

NOTE: If the current print job is specified as Priority Override, the new urgent job will be executed after completion of the current job.

- 1 Press the **Status/Job Cancel** key.

- 2** Select the job you wish to give priority and press [Priority Override]. The print job currently under way will be suspended to start the priority print job.



- 3** The suspended print job will resume after completion of the Priority Override.

Checking Remaining Toner and Paper

Follow the steps below to check remaining toner and paper on the touch panel.

NOTE: Size and type of paper loaded in each paper source can also be checked.

- 1** Press the **Status/Job Cancel** key.
- 2** Press [Paper/Supplies].
- 3** Check the remaining toner of *Toner Information* and the remaining paper of each paper source of *Paper*.

NOTE: Remaining toner level is indicated by any of the 11 levels between 100 and 0%. The smaller the number, the fewer the remaining toner.

Paper remaining in the Multi Purpose Tray is indicated either by *100%* or *0%*.

Quick Setup Screen

In the initial screen for copying and sending (the screen which appears immediately after the **Copy** or **Send** key is first pressed after power-on), the typical and generally often used functions are picked up and registered from among the versatile functions of this machine. This initial screen is called *Quick Setup Screen*. Registration of functions in the Quick Setup Screen can be adjusted to suit your work environment for better efficiency.

Functions Available for Registration in Quick Setup Screen

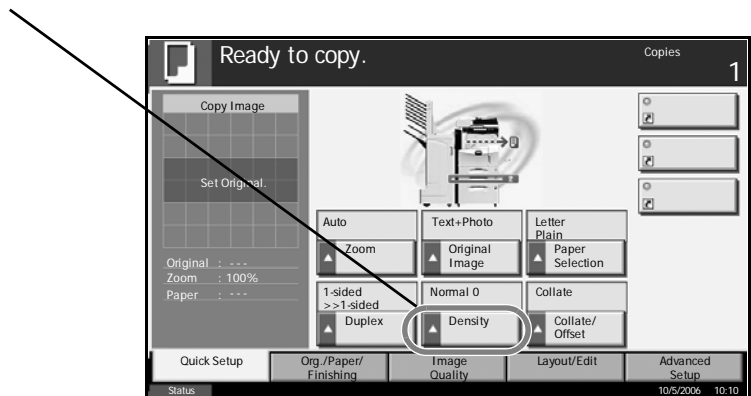
Default registrations and the functions available for registration are as follows.

Function	Default Registration	Functions Available for Registration
Copying	1: Zoom 2: Density 3: Staple/Punch 4: Duplex 5: Original Image 6: Collate/Offset	<ul style="list-style-type: none"> • Paper Selection • Zoom • Staple/Punch • Density • Duplex • Combine • Collate/Offset • Original Image • Original Size
Sending	1: Zoom 2: Density 3: Resolution 4: 2-sided/Book Original 5: Original Image 6: Color Selection	<ul style="list-style-type: none"> • Original Size • 2-sided/Book Original • Sending Size • Original Orientation • File Format • Send Setting-Density • Original Image • Scan Resolution • Color Selection • Zoom

Function		Default Registration	Functions Available for Registration
Document Box	Document Storage	1: Zoom 2: Density 3: Resolution 4: 2-side/Book Original 5: Original Image 6: Color Selection	<ul style="list-style-type: none"> • Color • Storing Size • Density • 2-side/Book Original • Resolution • Zoom • Original Orientation • Original Size • Original Image
	Sending From Box	1: File Format 2: Delete After Transmitted	<ul style="list-style-type: none"> • File Format • Delete After Transmitted
	Printing From Box	1: Paper Selection 2: Delete After Printed 3: Staple/Punch 4: Duplex 5: Collate/Offset	<ul style="list-style-type: none"> • Paper Selection • Staple/Punch • Delete After Printed • Collate/Offset • Duplex

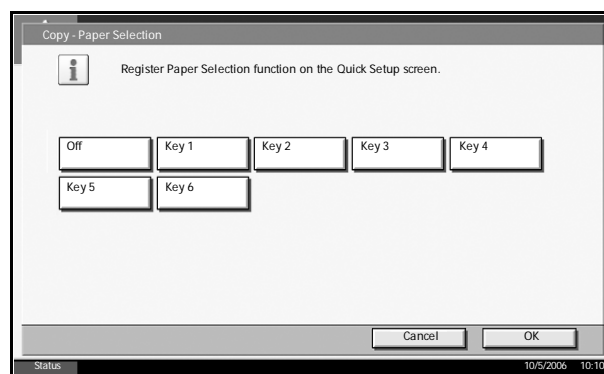
Changing Registration

The following procedure is one example for replacing the registration of *Density* with *Original Image Quality* in the *Quick Setup* Screen for copying.



- 1 Press the **System Menu** key.
- 2 Press [Copy], [Change] of *Quick Setup Registration*, and then [Change] of *Original Image*.

- 3** Press [Key 4] here as the key to set replacement location.



- 4** Press [OK]. The Original Image Quality function will be newly registered.

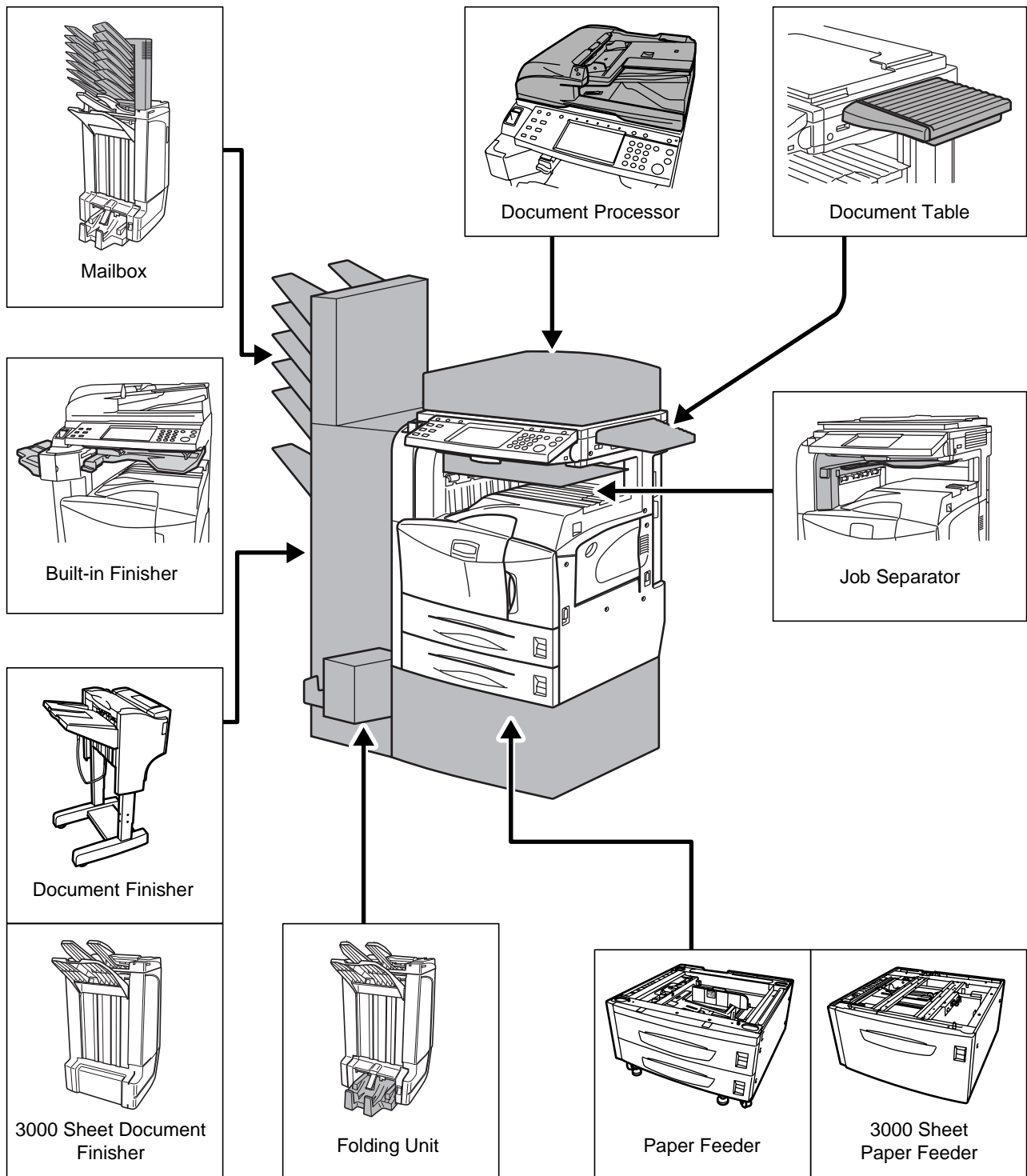
4 Optional Equipment

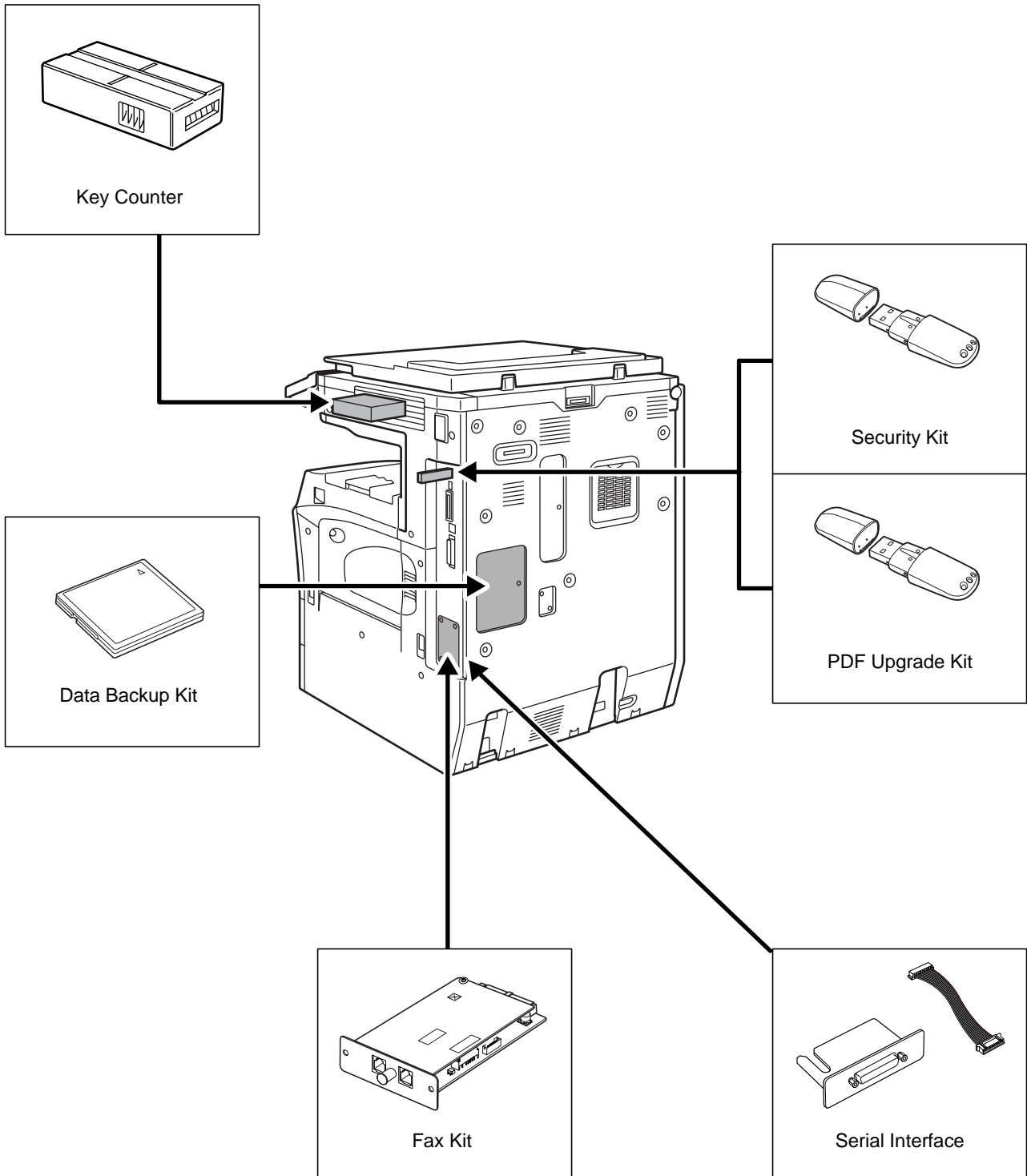
This chapter introduces the optional equipment available for the machine.

- Overview of Optional Equipment..... 4-2
- Document Processor..... 4-4
- Paper Feeder 4-4
- 3000 Sheet Paper Feeder 4-5
- Built-in Finisher..... 4-5
- Document Finisher 4-9
- 3000 Sheet Document Finisher..... 4-9
- Job Separator..... 4-10
- Document Table 4-10
- Key Counter4-11
- Fax Kit 4-12
- Data Backup Kit..... 4-12
- Security Kit (USB Key) 4-13
- Serial Interface 4-13
- PDF Upgrade Kit (USB Key) 4-14

Overview of Optional Equipment

The following optional equipment is available for the machine.

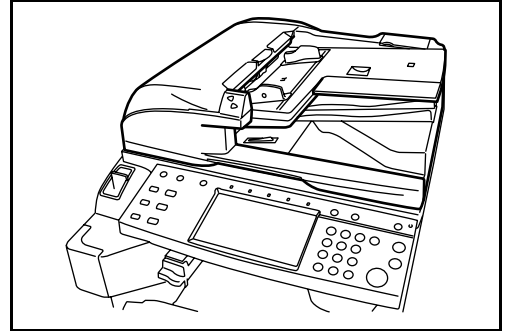




Document Processor

Automatically scans originals. Also you can perform duplex copying and split copying.

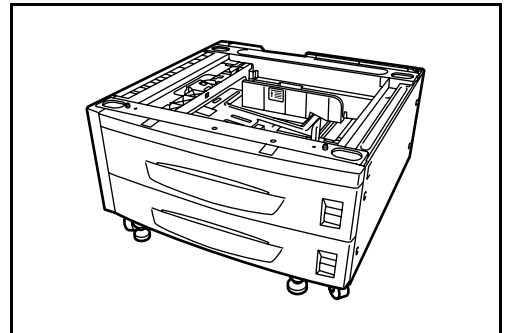
For document processor operation, refer to *Loading Originals in the Document Processor* on page 2-27.



Paper Feeder

Add an additional 2 paper cassettes like Cassette 2 of the machine. Paper capacity and loading method are the same as Cassettes 1 and 2. Refer to *Loading Paper in the Cassettes* on page 2-16.

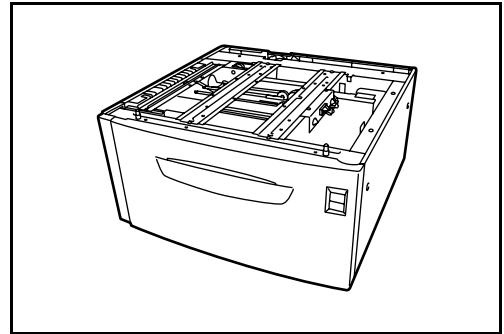
NOTE: Left cover 3 is located on the left side of the paper feeder for use in clearing paper jams.



3000 Sheet Paper Feeder

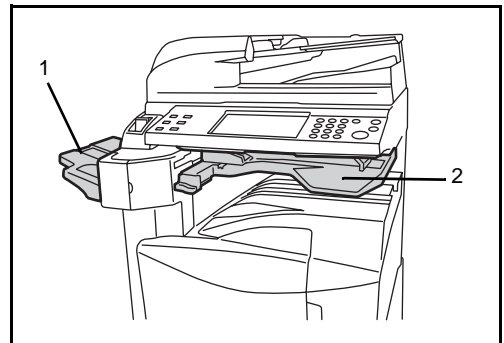
In addition to the standard cassettes, a 3000 sheet paper feeder holding 3,000 sheets of A4, Letter or B5 paper can be added.

NOTE: Left cover 3 is located on the left side of the 3000 sheet paper feeder for use in clearing paper jams.



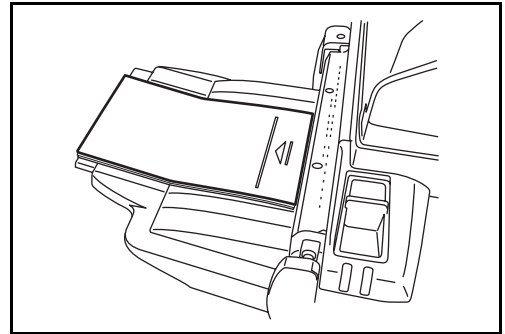
Built-in Finisher

The built-in finisher holds a large quantity of finished prints. The finisher offers a convenient means of sorting. Sorted finished prints may also be stapled.

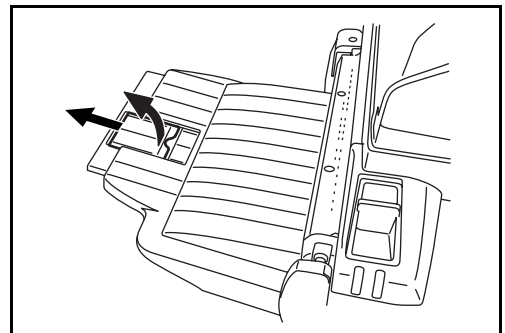


- 1 Finisher tray
- 2 Finisher process tray

Finisher tray serves as an output tray of sorted prints.

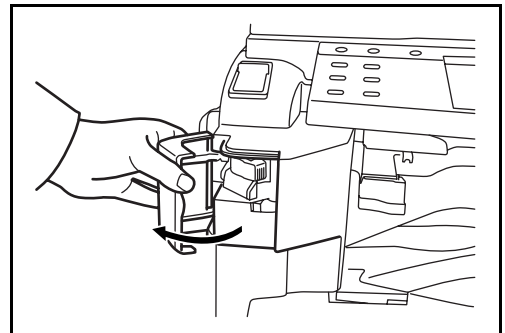


Use the auxiliary tray to sort Ledger, Legal, 8.5x13.5", Oficio II, Letter, Letter-R, A3, B4, A4, A4-R, B5, Folio, 8K or 16K prints.

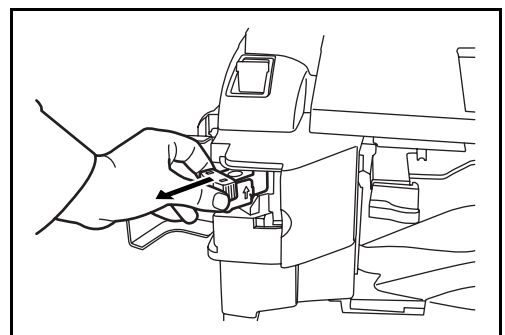


Adding Staples

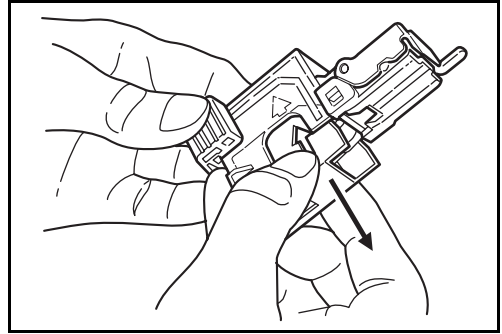
- 1** Pull to open the stapler front cover.



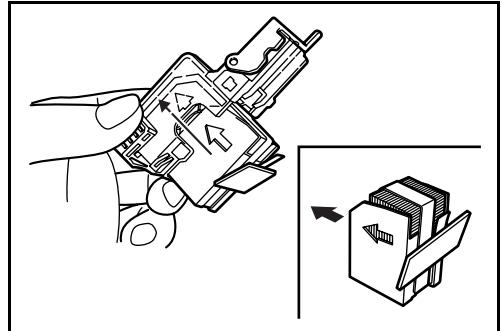
- 2** Pull out the staple holder.



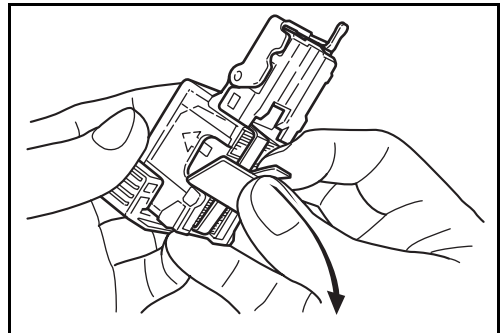
- 3** Remove the empty staple case from the staple holder.



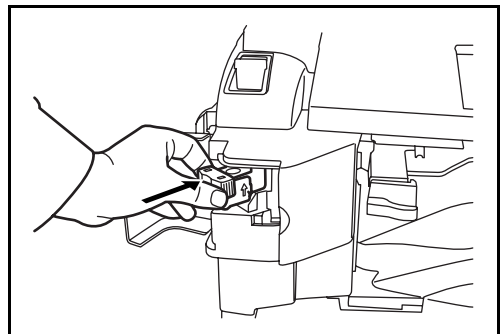
- 4** Holding the staple holder in your left hand and a new staple case in your right hand, insert the staple case into the staple holder in the direction of an arrow.



- 5** Insert the staple case fully to the end. Pull to remove the paper tape wound on the staple case.



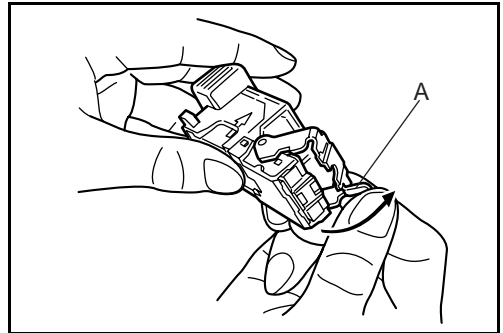
- 6** Insert the staple holder into the slot of the staple unit again. When fully inserted, the staple holder locks with a clicking sound.



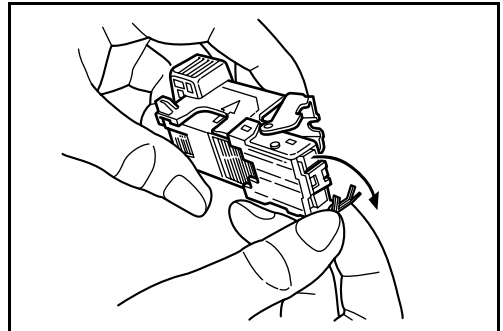
Clearing Staple Jam

1 Pull out the staple holder referring to Steps 1 and 2 of *Adding Staples*.

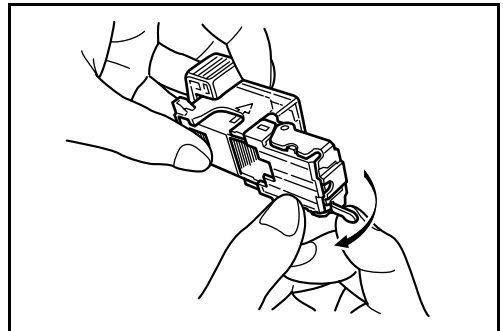
2 Holding the knob A on the face plate of the staple holder, lift the face plate.



3 Clear the staple jammed in the cartridge end (staple-loaded side).



4 Lower the face plate of the staple holder.



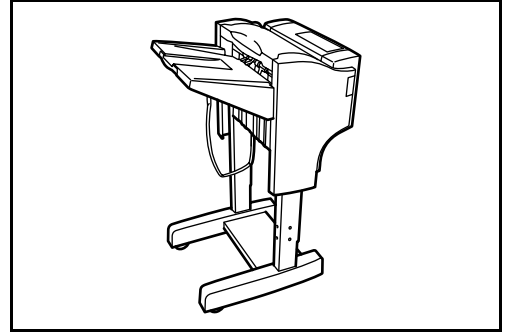
5 Insert the face plate back in place. When fully inserted, the face plate locks with a clicking sound.

6 After lifting the staple unit slightly, lower it and insert it again into its place.

7 Close the stapler front cover.

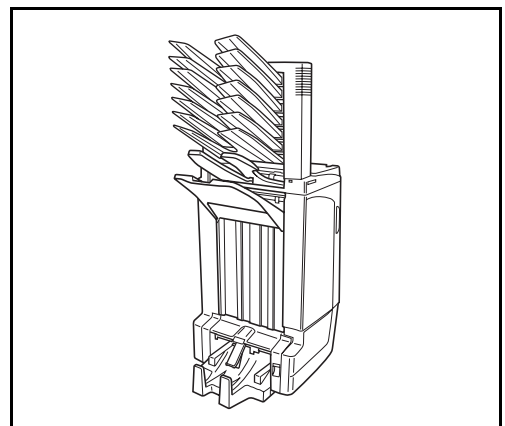
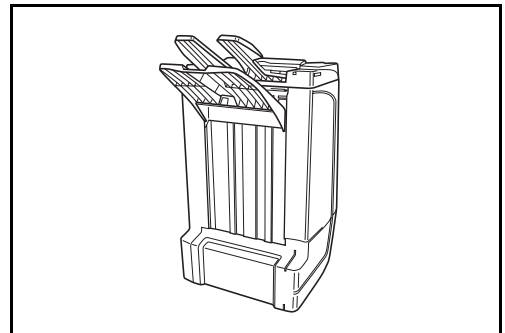
Document Finisher

The document finisher holds a large quantity of finished copies. The finisher offers a convenient means of sorting. Sorted finished copies may also be stapled. For further details, refer to *the document finisher Operation Guide*.



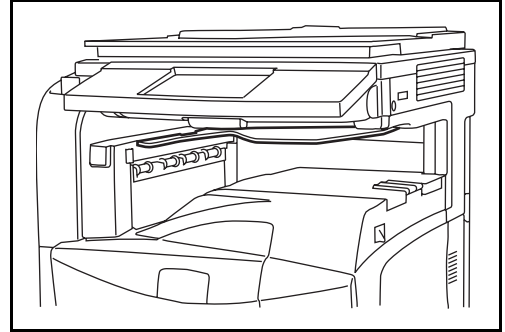
3000 Sheet Document Finisher

The document finisher holds a large quantity of finished copies. The finisher offers a convenient means of sorting. It can also staple finished sets and punch holes if equipped with the appropriate optional accessories. For further details, refer to *the 3000 sheet document finisher Operation Guide*. Other options include the mailbox and folding unit.



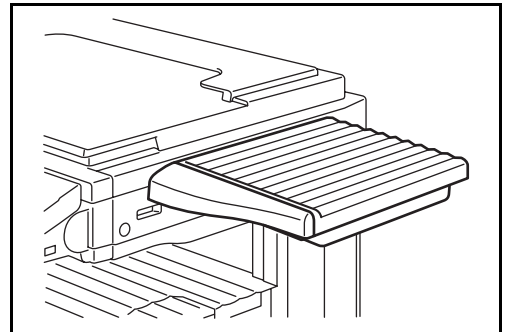
Job Separator

Separates paper according to output tray for easier sorting. Specify an output tray for copy or print jobs. Or, specify the default output tray for printing from the copy or document box screen, printing from the PC, and printing of the received fax data.



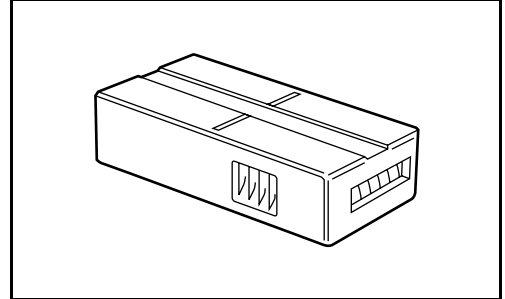
Document Table

Place original or other documents when using the machine. It has a drawer to accommodate clips.



Key Counter

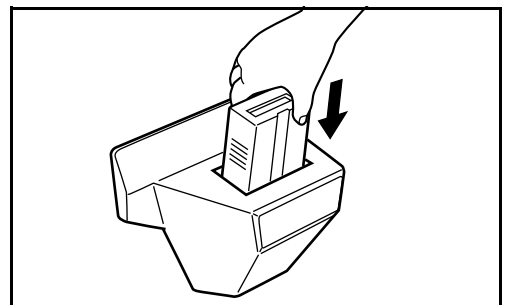
Use the key counter to monitor machine usage. The key counter offers a convenient solution for centralized management of copy volume for different departments in a large company.



Inserting the Key Counter

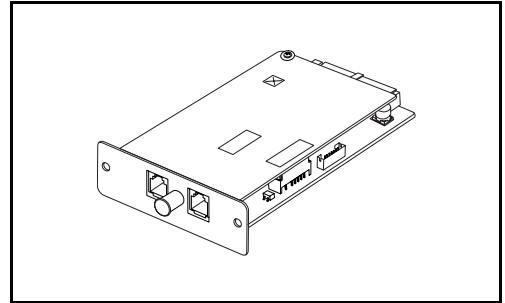
Insert the key counter securely into the key counter slot.

NOTE: When the key counter function is activated, copies can only be made when a key counter is inserted. If the key counter is not inserted, *Insert key counter.* will be displayed.



Fax Kit

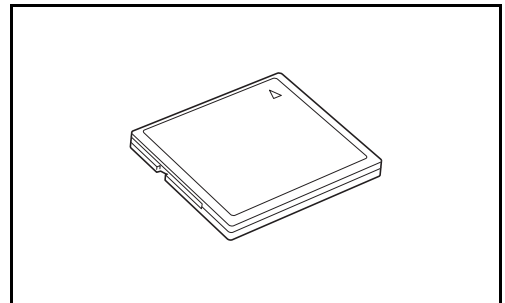
By installing the fax kit, fax send/receive is enabled. Also, it is possible to use it as a network fax, by using it with a computer. When two units of the fax kit are installed, the units can be connected to two different telephone lines which will enable quicker message transmission to a number of recipients. If one of the lines is dedicated to receiving, the time of busy line can be reduced. For further details, refer to *the operation guide of the fax kit*.



Data Backup Kit

A microchip card for storing fax reception data and job accounting data. Installation and removal of the card is performed by our service representative.

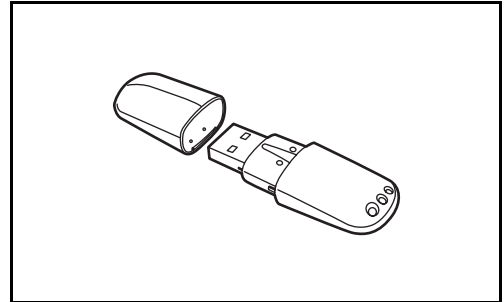
Refer to *the operation guide of the fax kit* for the fax reception data to be stored for backup.



Security Kit (USB Key)

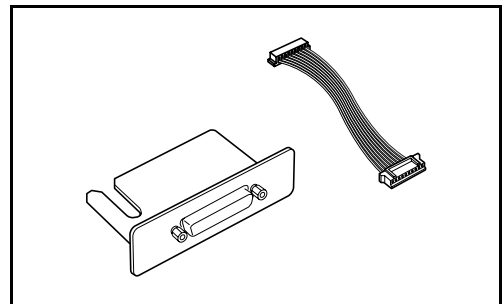
This machine functions by temporarily storing scanned data on an internal hard disk. After being used for output, this data is not accessible from the operation panel, but a record of the data remains on the hard disk until it is overwritten by other data. Thus, the data could conceivably be retrieved by accessing the hard disk using specialized tools.

For greater security, the security kit prevents this by overwriting all unnecessary data in the storage area of the hard disk so that it cannot be retrieved.



Serial Interface

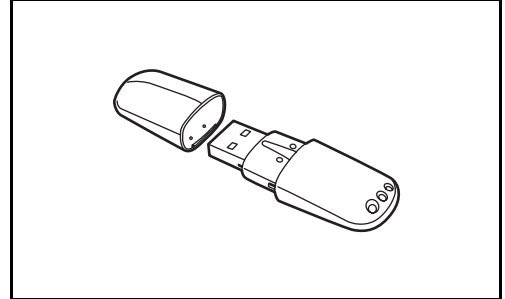
Install for connecting to PCs with serial port interfaces. Supports the RS-232C serial interface.



PDF Upgrade Kit (USB Key)

When saving scanned originals as PDF files, enables the creation of high compression PDF files and PDF encryption.

Use PDF file encryption to customize password-based rights access.



5 Maintenance

This chapter describes cleaning and toner replacement.

- Cleaning 5-2
- Toner Container and Waste Toner Box Replacement .. 5-7

Cleaning

Clean the machine regularly to ensure optimum output quality.



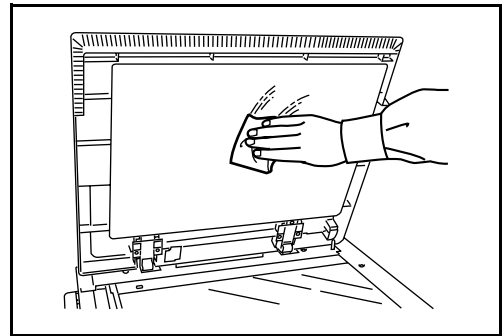
CAUTION: For safety, always unplug the power cord before cleaning the machine.

Platen Cover / Document Processor / Glass Surface

Wipe the backside of the platen cover, the inside of the document processor and the glass surface with a soft cloth dampened with alcohol or mild detergent.

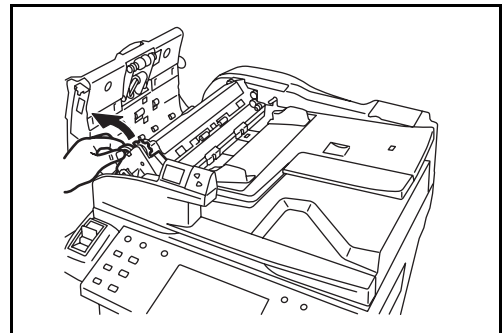
IMPORTANT: Do not use thinner or other organic solvents.

Platen Cover

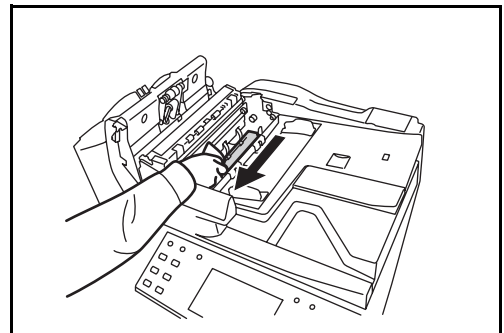


Document Processor

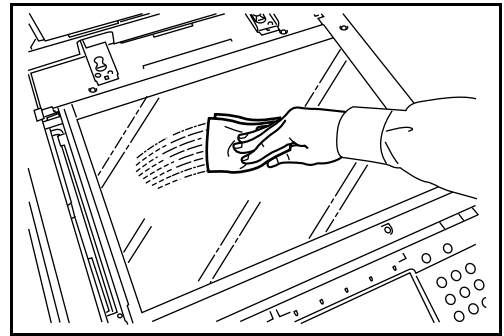
- 1** Open the top cover of the document processor and hold the green knob to lift the reverse unit.



- 2** Clean the white roller at the inside of the bottom.

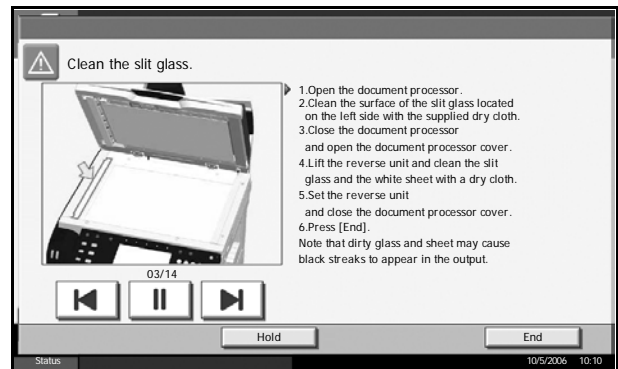


Glass Surface



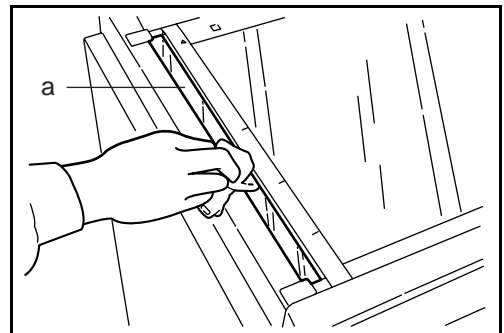
Slit Glass

If black streaks or dirt appears in copies when using the optional document processor, clean the slit glass with the supplied cleaning cloth. The message *Clean the slit glass* may be displayed if the slit glass requires cleaning.



IMPORTANT: Lightly wipe the slit glass with a dry cloth. To remove adhesive material or ink, apply alcohol to a cloth and wipe lightly. Do not use water, thinner, or organic solvents.

- 1 Remove the cloth from the cleaning cloth compartment.
- 2 Open the document processor and wipe the slit glass (a).

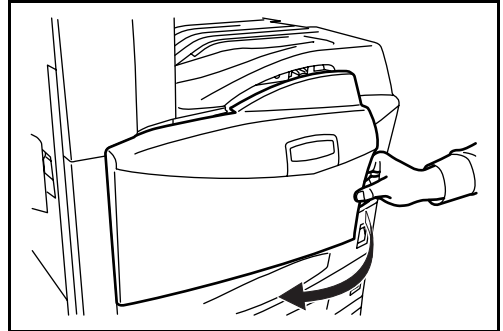


- 3 Press [End].

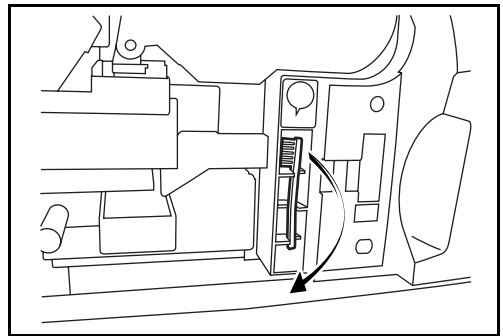
Separator

Clean the separator regularly (at least monthly) to ensure optimum output quality.

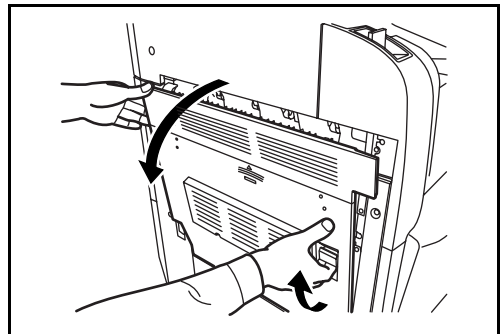
- 1** Open the front cover.



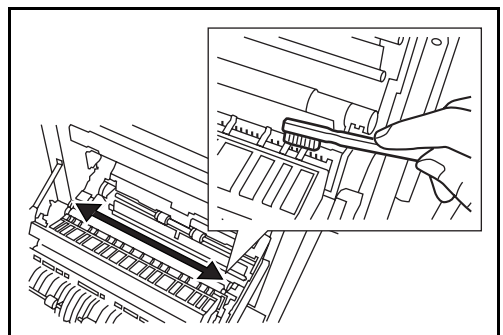
- 2** Remove cleaning brush (blue colored).



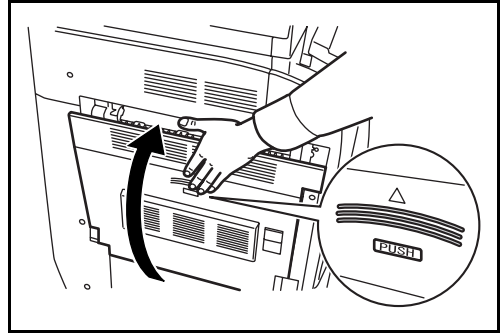
- 3** Pull up left cover 1 lever and open left cover 1.



- 4** As shown in the figure, clean dirt from the separator by moving the brush from side to side along the separator.

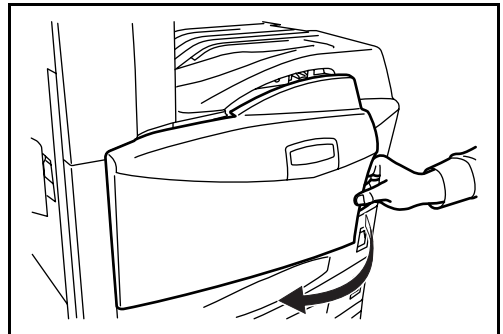


- 5** Put away the cleaning brush, press the specified position of the front cover and left cover 1 to close.

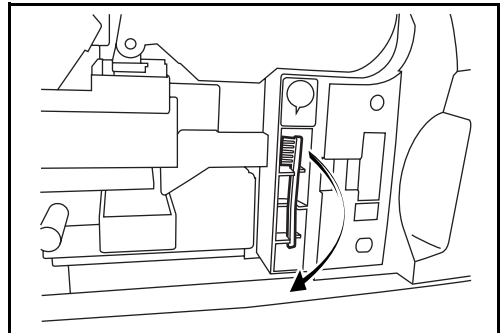


Transfer Roller

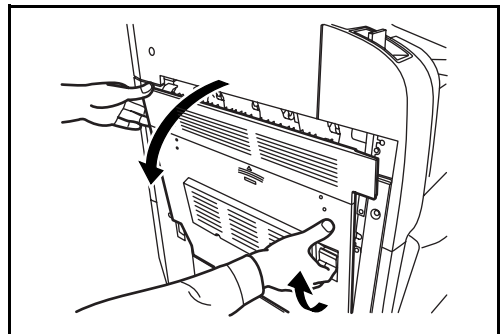
- 1** Open the front cover.



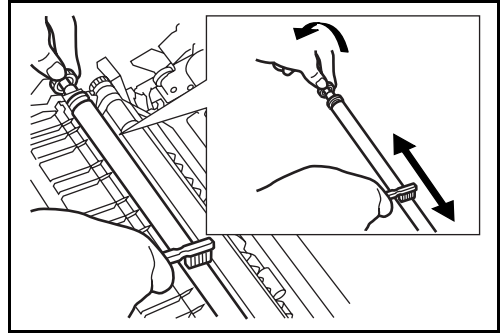
- 2** Remove the cleaning brush (blue colored).



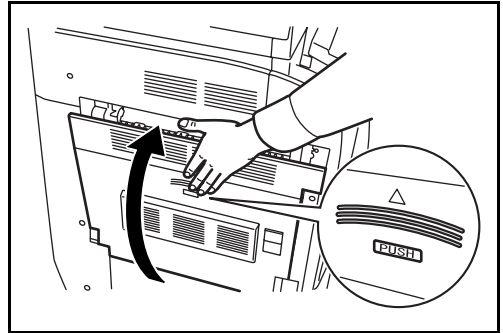
- 3** Pull up left cover 1 lever and open left cover 1.



- 4** As shown in the figure, clean dirt from the transfer roller by moving the brush from side to side along the roller while rotating the roller by turning the gear at the left end of the roller.



- 5** Put away the cleaning brush, press the specified position of the front cover and left cover 1 to close.



Toner Container and Waste Toner Box Replacement

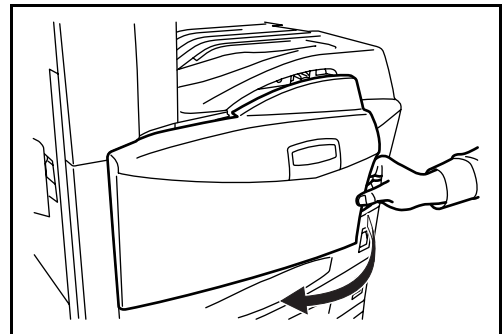
When the touch panel displays *Add toner*, replace the toner without delay although several more copies are still possible. When replacing the toner container, replace the waste toner box as well.

Every time you replace the toner container, be sure to clean the parts as instructed below. Dirty parts may deteriorate output quality.

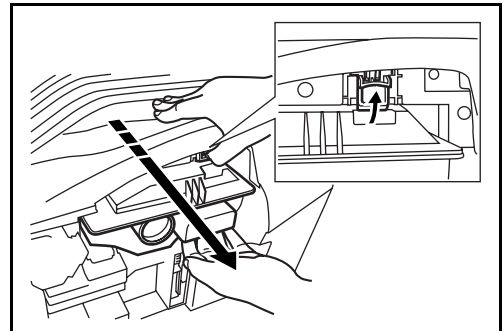
CAUTION: Do not attempt to incinerate the toner container or the waste toner box. Dangerous sparks may cause burns.

CAUTION: Do not attempt to force open or destroy the toner container or the waste toner box.

- 1** Open the front cover.



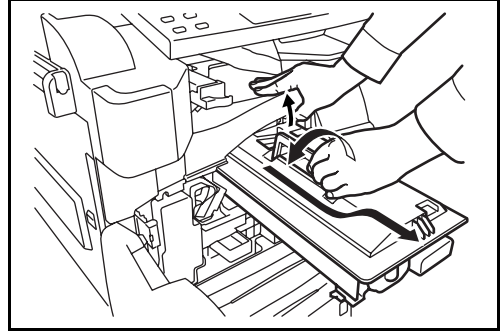
- 2** Push up the toner container stopper and slowly pull out the used toner container until its handle is visible.



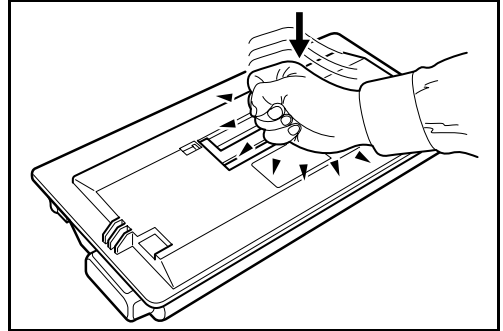
WARNING: High voltage parts inside. Handle with care because there is a danger of electric shock.

CAUTION: Do not pull the toner container all the way out without holding the handle, otherwise it will drop.

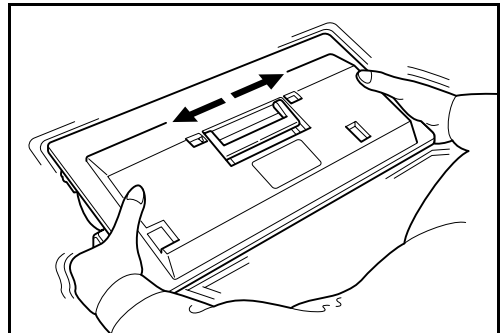
- 3** Keep the stopper up, hold the toner container handle and take out slowly.



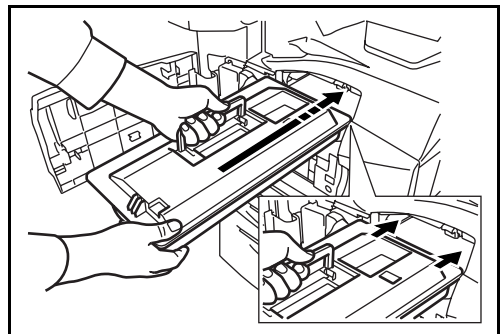
- 4** Unwrap a new toner container and tap its top 5-6 times.



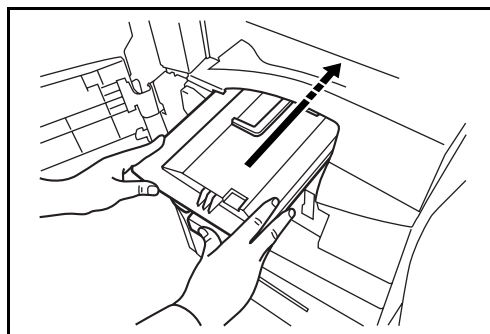
- 5** Shake the toner container at least 10 times horizontally to distribute the toner evenly.



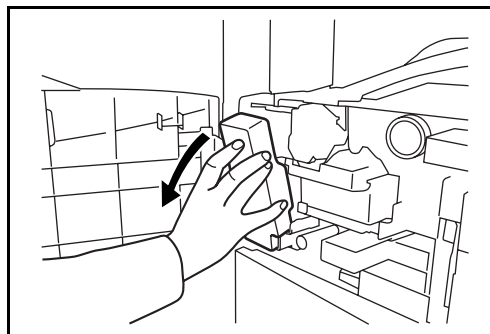
- 6** Insert the toner container slowly while holding its handle.



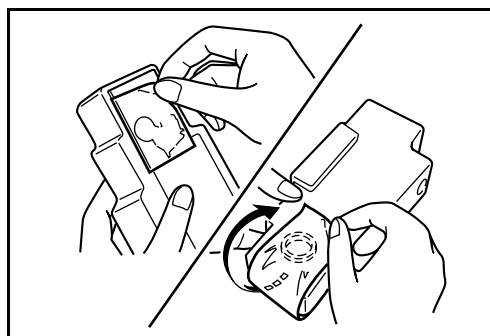
- 7** Using both hands, push in the toner container until it is locked.



- 8** Remove the waste toner box.



- 9** Seal the opening of the waste toner box.

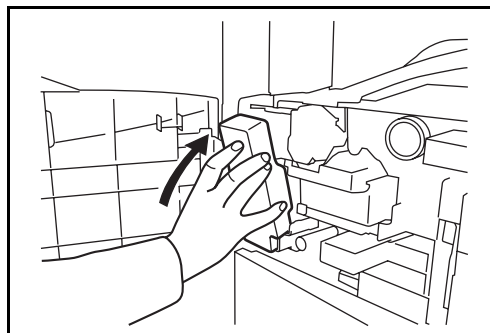


CAUTION: Do not attempt to incinerate the toner container or the waste toner box. Dangerous sparks may cause burns.

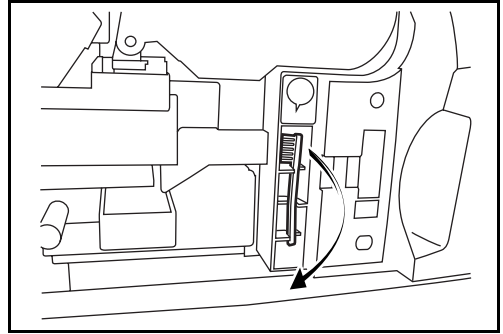


CAUTION: Do not attempt to force open or destroy the toner container or the waste toner box.

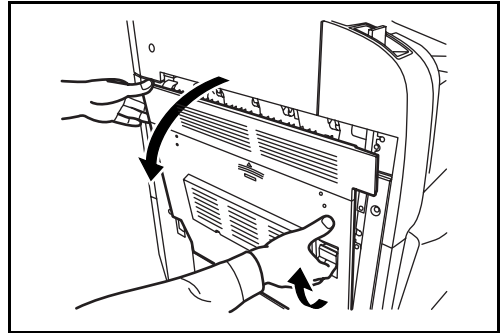
- 10** Install a new waste toner box.



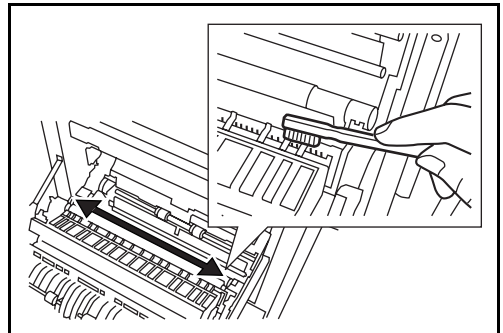
- 11** Remove the cleaning brush (blue colored).



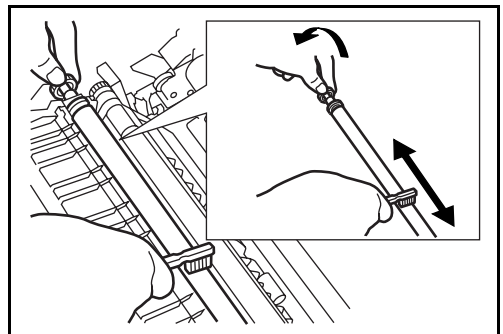
- 12** Pull up left cover 1 lever and open left cover 1.



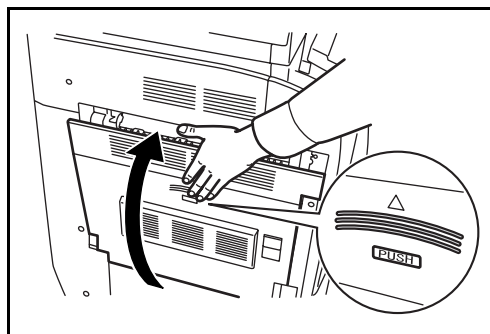
- 13** As shown in the figure, clean dirt from the separator by moving the brush from side to side along the separator.



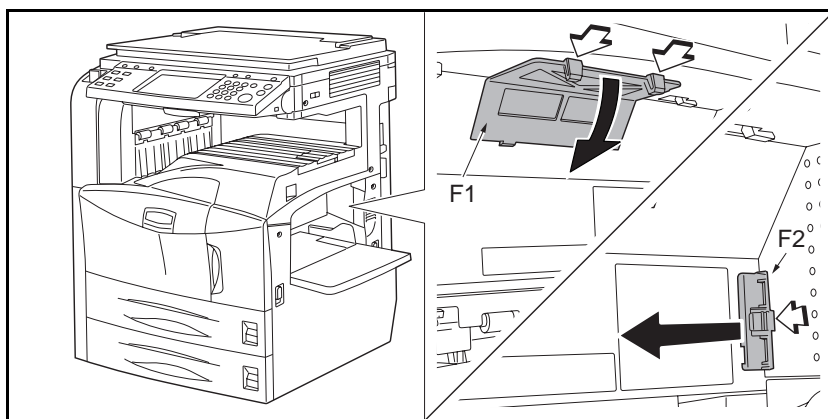
- 14** As shown in the figure, clean dirt from the transfer roller by moving the brush from side to side along the roller while rotating the roller by turning the gear at the left end of the roller.



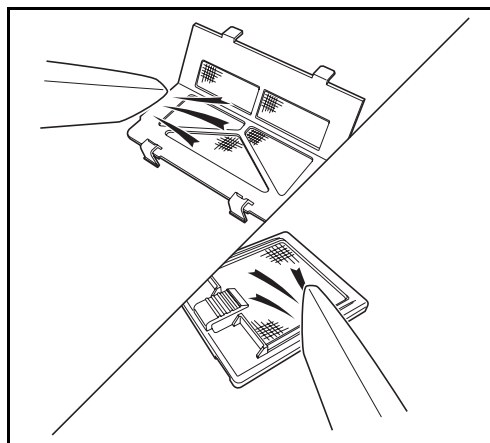
- 15** Put away the cleaning brush after the cleaning. Close the front cover and left cover 1 by pressing specified part.



- 16** Open the Multi Purpose Tray and remove the filters F1 and F2.



- 17** Clean the filters using a vacuum cleaner or the like.



CAUTION: Do not wash the filters with water. Do not use the attached cleaning brush.

- 18** Put the filters back in place and close the Multi Purpose Tray.

NOTE: Return the exhausted toner container and waste toner box to your dealer or service representative. The collected toner container and waste toner box will be recycled or disposed in accordance with the relevant regulations.

6 Troubleshooting

This chapter explains how to solve problems with the machine.

- Solving Malfunctions 6-2
- Responding to Error Messages..... 6-4
- Clearing Paper Jams..... 6-10

Solving Malfunctions

The table below provides general guidelines for problem solving.

If a problem occurs with your machine, look into the checkpoints and perform procedures indicated on the following pages. If the problem persists, contact your Service Representative.

Symptom	Checkpoints	Corrective Actions	Reference Page
The operation panel does not respond when the main power switch is turned on.	Is the machine plugged in?	Plug the power cord into an AC outlet.	—
Pressing the Start key does not produce copies.	Is there a message on the touch panel?	Determine appropriate response to the message and respond accordingly.	6-4
Blank sheets are ejected.	Are the originals loaded correctly?	When placing originals on the platen, place them face-down and align them with the original size indicator plates.	2-25
		When placing originals in the optional document processor, place them face-up.	2-27
Printouts are too light.	Is the machine in Auto Density mode?	Set the correct density level for auto density.	—
	Is the machine in Manual Density mode?	Use [Image Quality] to set the correct density level.	3-9
		When changing the default density level, adjust the density manually and choose the desired level.	—
	Is the toner distributed evenly within the toner container?	Shake the toner container from side to side about 10 times.	5-7
	Is there a message indicating the addition of toner?	Replace the toner container.	5-7
	Is the paper damp?	Replace the paper with new paper.	2-25
Printouts are too dark.	Is the machine in Auto Density mode?	Set the correct density level for auto density.	—
	Is the machine in Manual Density mode?	Use [Image Quality] to set the correct density level.	3-9
		When changing the default density level, adjust the density manually and choose the desired level.	—

Symptom	Checkpoints	Corrective Actions	Reference Page
Printouts are not clear.	Did you choose appropriate image quality for the original?	Select appropriate image quality.	3-9
Printouts are dirty.	Is the platen or the document processor dirty?	Clean the platen or the document processor.	5-2
	Is the transfer roller dirty?	Brush the transfer roller clean.	5-5
Images are skewed.	Are the originals placed correctly?	When placing originals on the platen, align them with the original size indicator plates.	2-27
		When placing originals in the optional document processor, align the original width guides securely before placing the originals.	2-27
	Is the paper loaded correctly?	Check the position of the paper width guides.	2-28
Papers often jam.	Is the paper loaded correctly?	Load the paper correctly.	2-16
	Is the paper of the supported type? Is it in good condition?	Remove the paper, turn it over, and reload it.	2-16
	Is the paper curled, folded or wrinkled?	Replace the paper with new paper.	2-16
	Are there any loose scraps or jammed paper in the machine?	Remove any jammed paper.	6-10
Printouts from the document processor have black lines.	Are the slit glasses dirty?	Clean the slit glasses.	5-3
Printouts are wrinkled.	Is the paper separator of the paper feed unit dirty?	Clean the paper separator.	5-4
Cannot print.	Is the machine plugged in?	Plug the power cord into an AC outlet.	—
	Is the machine powered on?	Turn on the main power switch.	3-2
	Is the printer cable connected?	Connect the correct printer cable securely.	2-3
	Was the machine powered on before the printer cable was connected?	Power on the machine after connecting the printer cable.	2-3
Documents are printed improperly.	Is the official application software used on PC?	Check that the official printer driver or application software is used.	—

Responding to Error Messages

If the touch panel displays any of these messages, follow the corresponding procedure.

Alphanumeric

Error Message	Checkpoints	Corrective Actions	Reference Page
Acceptable staple count exceeded.	Is the acceptable staple count exceeded? For details, refer to <i>Specifications on page Appendix-6</i> .	Press [Continue] to print without using Staple. Press [Cancel] to cancel the job.	—
Add paper in cassette #.	Is the indicated cassette out of paper?	Load paper.	2-15
Add paper in MP tray.	Is the paper of the selected size loaded in the Multi Purpose Tray?	Load the paper in the Multi Purpose Tray which is of the size and type indicated on the touch panel.	2-18
Add staples.	Has any of the built-in finisher, center binding finisher, document finisher or 3,000-sheet capacity document finisher run out of staples?	If the staples are depleted, the machine will stop and the location of staple depletion will be indicated on the touch panel. Leave the machine on and follow the instruction to replace the staple case. Press [Continue] to print without using Staple. Press [Cancel] to cancel the job.	4-6
Add toner.	—	Replace the toner container.	5-7
An error has occurred.	—	Internal error has occurred. Turn the main power switch off and on. If error occurs repeatedly, make a note of the error code displayed on the touch panel, and contact your Service Representative.	—
Box limit exceeded.	—	Document box is full, and no further storage is available. This job is canceled. Press [End].	—
	—	Repeat Copy box is full, and no further repeat copy is available. Press [Continue] to print without using Repeat Copy. Press [Cancel] to cancel the job.	—

Error Message	Checkpoints	Corrective Actions	Reference Page
Cannot connect to Authentication Server.	–	Press [End] and check the following items: <ul style="list-style-type: none"> • Registration to Authentication Server • Password and computer address for Authentication Server • Connection of Network 	—
Cannot duplex print this paper type.	Did you select a paper size/type that cannot be duplex printed?	Select the available paper size/type. Press [Continue] to print without using Duplex.	3-13
Cannot execute this job.	–	This job is canceled because it is restricted by Job Accounting. Press [End].	—
Cannot offset this paper type.	Did you select a paper size (A3, B4, A5-R, B6-R, Folio, Ledger, Statement and 8K) that cannot be offset?	Select the available paper size. Press [Continue] to print without using Offset.	3-16
Cannot punch this paper type.	Did you select a paper size/type that cannot be punched?	Select the available paper size/type. Press [Continue] to print without using Punch.	—
Cannot staple this paper type.	Did you select a paper size/type that cannot be stapled?	Select the available paper size/type. Press [Continue] to print without using Staple.	—
Check the cover.	Is there any cover which is open?	Close the cover indicated on the touch panel.	—
Check the document processor.	Is the document processor open?	Close the document processor.	—
	Is the top cover of the document processor open?	Close the top cover of the document processor.	6-21
Check the finisher.	Is the built-in finisher or the document finisher set correctly?	Set the built-in finisher or the document finisher correctly. For details, refer to <i>the respective Operation Guides</i> .	—
	Is the built-in finisher tray set correctly?	Set the built-in finisher tray correctly.	—
Clean the slit glass.	–	Clean the slit glass using the attached cleaning cloth.	5-3

Error Message	Checkpoints	Corrective Actions	Reference Page
Empty the punch waste box.	—	The punch waste box of the document finisher or 3,000-sheet capacity document finisher is full. Follow the instruction on the touch panel to empty the punch waste box.	—
Failed to specify Job Accounting.	—	This job is canceled. Press [End].	—
Failed to store job retention data.	—	This job is canceled. Press [End].	—
FAX box limit exceeded.	—	FAX box is full, and no further storage is available. This job is canceled. Press [End].	—
Finisher tray is full of paper.	Is the acceptable storage capacity exceeded for the document finisher tray?	Remove paper from the document finisher tray. If printing can be restarted, the touch panel display will prompt you to press [Continue]. Then press [Continue].	—
Folding tray is full of paper.	Is the acceptable storage capacity exceeded for the folding tray of the 3,000-sheet capacity document finisher?	Remove paper from the folding tray.	—
Hard Disk error.	—	This job is canceled. Press [End].	—
Incorrect Account ID.	—	The Account ID does not match. Check the registered Account ID.	—
Incorrect Login User Name or Password.	—	Enter correct login user name or password.	—
Job Accounting restriction exceeded.	Is the acceptable printing count restricted by Job Accounting exceeded?	The printing count exceeded the acceptable count restricted by Job Accounting. Cannot print any more. This job is canceled. Press [End].	—
Job Separator is full of paper.	Is the maximum capacity of the job separator exceeded?	Remove paper from the job separator and press [Continue] to resume printing.	—
KPDL Error.	—	PostScript error has occurred. Job is canceled. Press [End].	—
Mailbox tray is full of paper.	—	Remove paper from the mailbox tray.	—

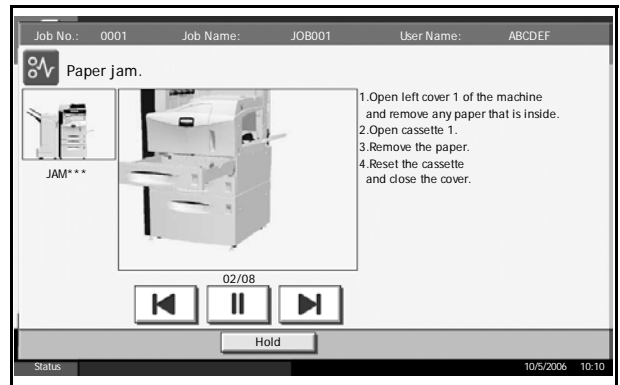
Error Message	Checkpoints	Corrective Actions	Reference Page
Memory card error.	–	Memory card is removed while it is accessed. Insert the memory card.	—
		An invalid memory card is inserted. Insert the correct memory card.	—
		Memory card error. Unable to continue the job. This job is canceled. Press [End].	—
Memory is full.	–	Unable to continue the job as the memory is used up. Press [Continue] to print the scanned pages. The print job cannot be processed completely. Press [Cancel] to cancel the job.	—
Paper jam.	–	If a paper jam occurs, the machine will stop and the location of the jam will be indicated on the touch panel. Leave the machine on and follow the instruction to remove the jammed paper.	6-10
Print overrun.	–	Warning. Low printer memory. The job was paused. Press [Continue] to resume the job.	—
Removable memory error.	–	This job is canceled. Press [End].	—
Removable memory was removed.	–	Press [End].	—
Replace all originals and press [Continue].	–	Remove originals from the document processor, put them in the original order, and place them. Press [Continue] to resume printing. Press [Cancel] to cancel the job.	2-27
Replace the waste toner box.	–	The waste toner box is full. Replace the waste toner box.	5-7
Reset all originals in document processor.	Is there any original left in the document processor?	Remove originals from the document processor.	—

Error Message	Checkpoints	Corrective Actions	Reference Page
Scanner memory is full.	–	Scanning cannot be performed due to insufficient memory of scanner. Job is canceled. Press [End].	—
	Is the acceptable scanning count exceeded?	Press [Continue] to print, send or store the scanned pages. Press [Cancel] to cancel printing, sending or storing.	—
Send Error.	–	Job is canceled. Press [End].	—
Set the folding tray.	Is the folding tray correctly set to the 3,000-sheet capacity document finisher?	Set the folding tray correctly to the 3,000-sheet capacity document finisher. For details, refer to <i>the Operation Guide of the 3,000-sheet capacity document finisher</i> .	—
Set the folding unit.	Is the folding unit correctly set to the 3,000-sheet capacity document finisher?	Set the folding unit correctly to the 3,000-sheet capacity document finisher. For details, refer to <i>the Operation Guide of the 3,000-sheet capacity document finisher</i> .	—
Set the punch waste box.	–	The punch waste box of the document finisher or 3,000-sheet capacity document finisher is not set correctly. Follow the instruction on the touch panel to set the punch waste box correctly.	—
Set the waste toner box.	–	The waste toner box is not set correctly. Set it correctly.	5-7
Staple error.	–	If a staple error occurs, the machine will stop and the corrective action will be indicated on the touch panel. Leave the machine on and follow the instruction to take an appropriate action.	—
Staple jam.	–	If a staple jam occurs, the machine will stop and the location of the jam will be indicated on the touch panel. Leave the machine on and follow the instruction to remove the jammed staple.	4-8
The memory card is not formatted.	Is the memory card formatted?	Format the memory card.	—

Error Message	Checkpoints	Corrective Actions	Reference Page
The phone receiver is off the hook.	–	Put down the receiver.	—
The removal memory is not formatted.	Is the removable memory formatted by this machine?	Use the removable memory formatted by this machine.	—
The source file is not found.	–	The specified file is not found. This job is canceled. Press [End].	—
Top tray of the machine is full of paper.	–	Remove paper from the top tray, and press [Continue] to resume the job.	—
Tray # is full of paper.	Is the acceptable storage capacity exceeded for any of the trays A to C of the 3,000-sheet capacity document finisher?	Remove paper from the tray # indicated on the touch panel. If the tray B or C is full of paper, press [Continue] to resume printing.	—
Warning low memory.	–	Further scanning cannot be performed by insufficient memory. Press [Continue] to print the scanned pages. Press [Cancel] to cancel the printing job.	—

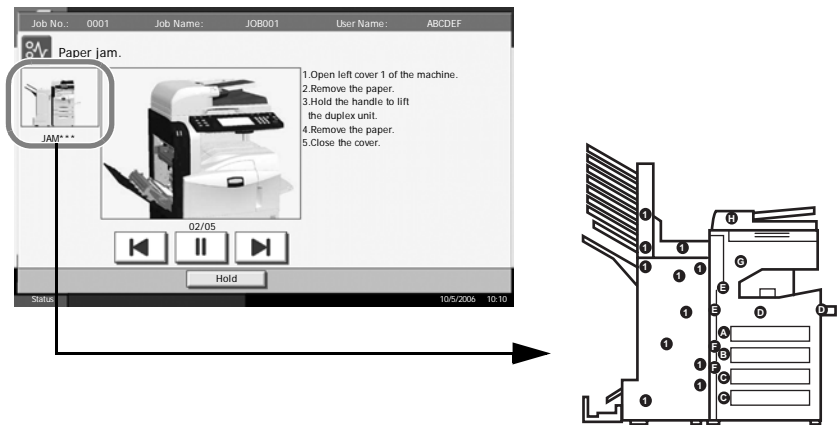
Clearing Paper Jams

If a paper jam occurs, the touch panel will display *Paper misfeed* and the machine will stop. Refer to these procedures to remove the jammed paper.



Jam Location Indicators

If a paper jam occurs, the location of the jam will be displayed by the alphabet, which corresponds to the specific component in the machine as the following figure with clearing instructions.



Paper Jam Location Indicator	Paper Jam Location	Reference Page
A	Cassette 1	6-11
B	Cassette 2	6-13
C	Cassette 3 or 4 (Option)	6-14
D	Multi Purpose Tray	6-15
E	Inside the left cover 1, 2 or 3	6-15
F	Duplex unit	6-16
G	Job separator output port (Option)	—

Paper Jam Location Indicator	Paper Jam Location	Reference Page
H	Document processor (Option)	6-21
I	Document finisher (Option)	6-22

After you remove the jam, the machine will warm up again and the error message will be cleared. The machine resumes with the page which jam has occurred.

Precautions of the Paper Jam

- Do not reuse jammed papers.
- If the paper tears during removal, be sure to remove any loose scraps of paper from the machine inside. Scraps of paper left in the machine could cause subsequent jamming.
- Discard the paper that jammed in the optional document finisher or 3,000-sheet capacity document finisher. The page which jam has occurred will be printed again.

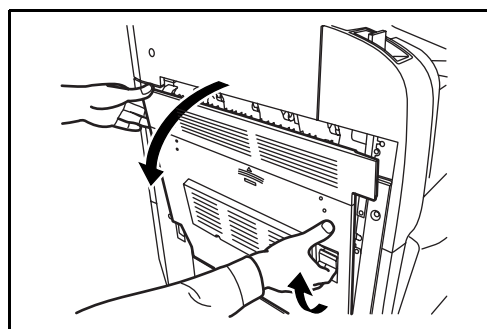
WARNING: High voltage is present in the charger section. Take sufficient care when working in this area, as there is a danger of electrical shock.

CAUTION: The fixing unit is extremely hot. Take sufficient care when working in this area, as there is a danger of getting burned.

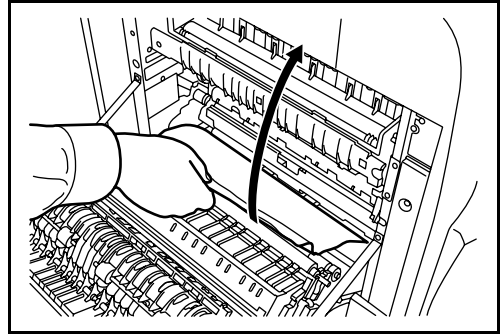
Cassette 1

Follow the steps below to clear paper jams in cassette 1.

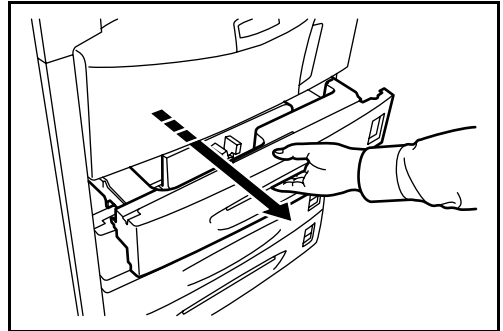
- 1 Pull up left cover 1 lever and open left cover 1.



- 2** Remove the jammed paper.

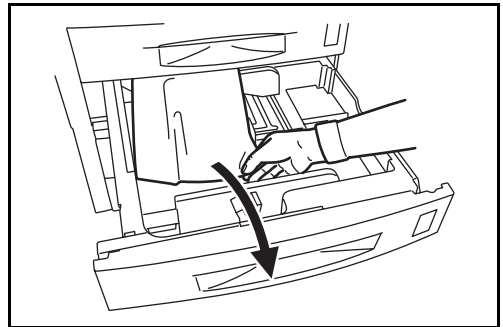


- 3** Pull out cassette 1.



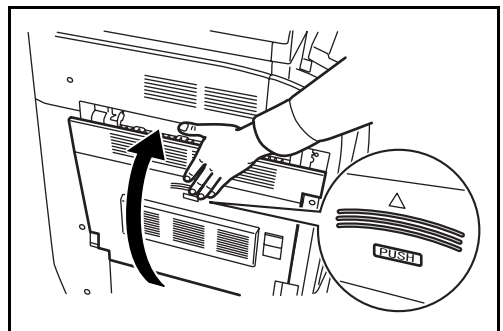
- 4** Remove the jammed paper.

If the paper tears, remove every loose scrap from inside the machine.



- 5** Push cassette 1 back in place securely.

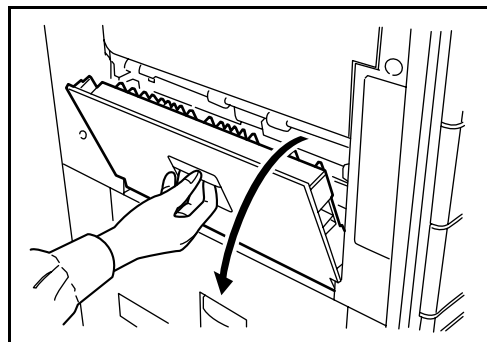
- 6** Press the specified position to close left cover 1.



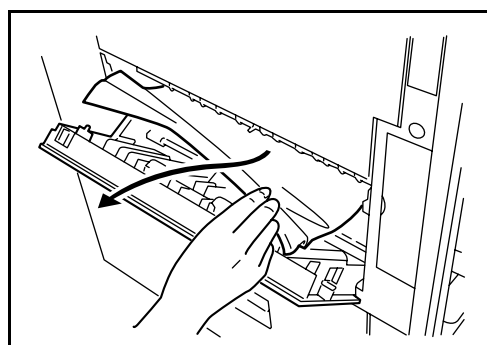
Cassette 2

Follow the steps below to clear paper jams in cassette 2.

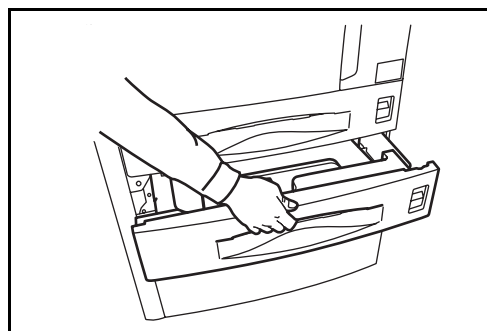
- 1** Open left cover 2.



- 2** Remove the jammed paper.

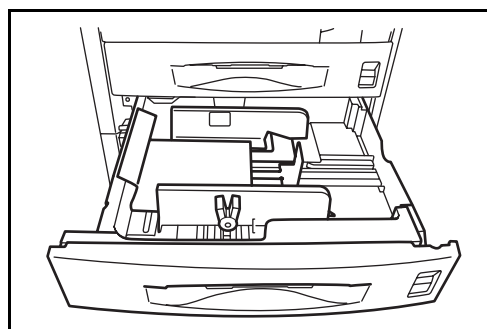


- 3** Pull out cassette 2.



- 4** Remove the jammed paper.

If the paper tears, remove every loose scrap from inside the machine.



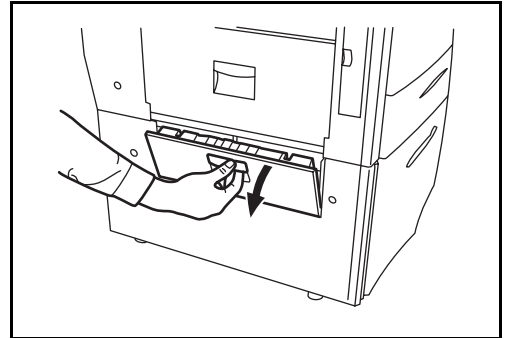
- 5** Push cassette 2 back in place securely.

- 6 Close left cover 2.

Optional Cassettes 3 and 4

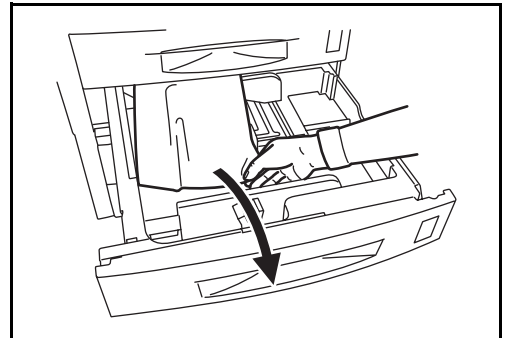
Follow the steps below to clear paper jams in cassettes 3 or 4 when using the optional paper feeder or 3,000-sheet capacity paper feeder.

- 1 Open left cover 3.

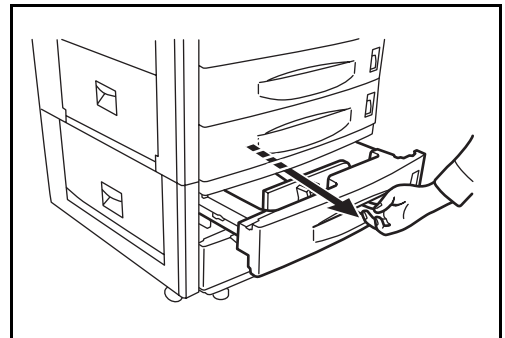


- 2 Remove the jammed paper.

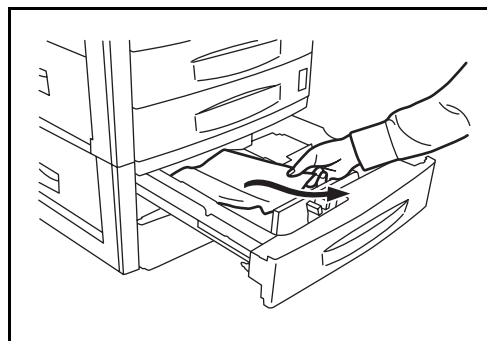
If the paper tears, remove every loose scrap from inside the machine.



- 3 Pull out the cassette in use.



- 4 Remove the jammed paper.



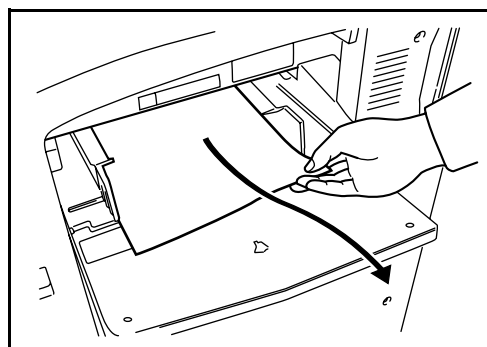
- 5 Push the cassette back in place securely.

- 6 Close left cover 3.

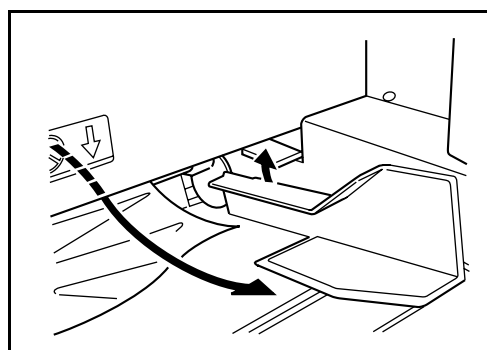
Multi Purpose Tray

Follow the steps below to clear paper jams in the Multi Purpose Tray.

- 1 Remove all papers from the Multi Purpose Tray.



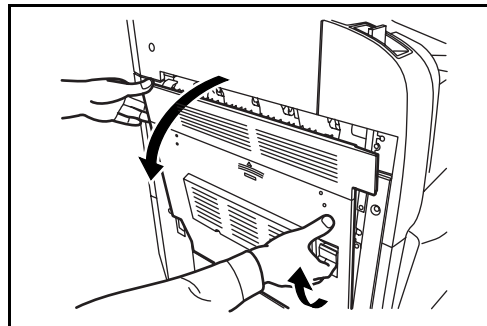
- 2 If a paper is jammed inside, lift the lever to remove the paper.



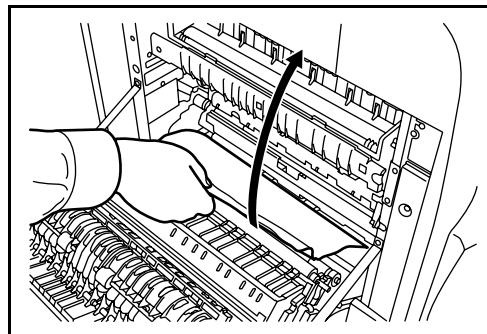
Inside the Left Covers 1, 2 and 3

Follow the steps below to clear paper jams inside left cover 1, 2 or 3 when using the optional paper feeder or 3,000-sheet capacity paper feeder.

- 1 Open the left cover where the paper is jammed inside.



- 2 Remove the jammed paper.
If the paper tears, remove every loose scrap from inside the machine.

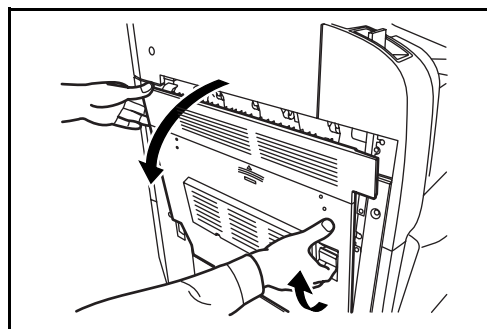


- 3 Close the left cover.

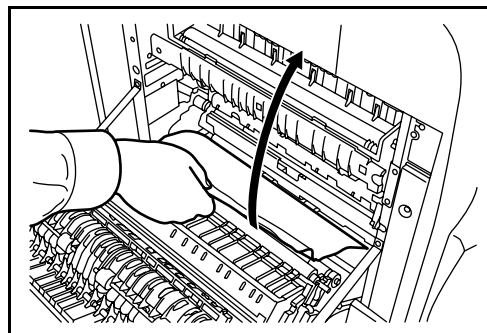
Duplex Unit

Follow the steps below to clear paper jams in the duplex unit.

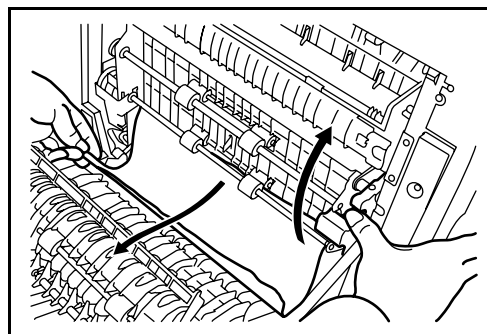
- 1 Pull up left cover 1 lever and open the left cover.



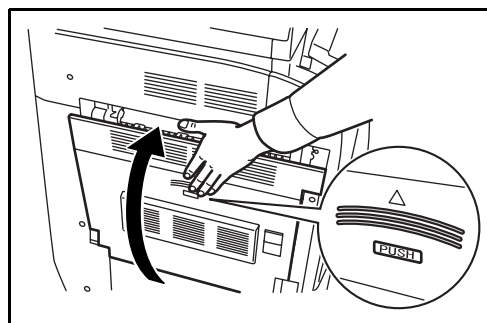
- 2 Remove the jammed paper.



- 3** Lift the duplex unit and remove the jammed paper.



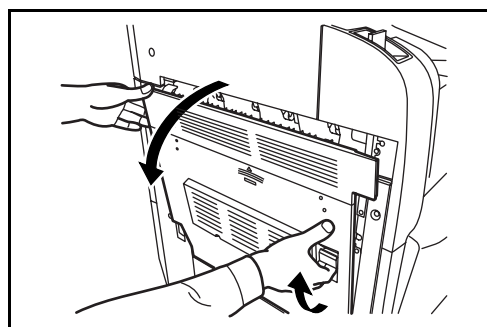
- 4** Press the specified position to close left cover 1.



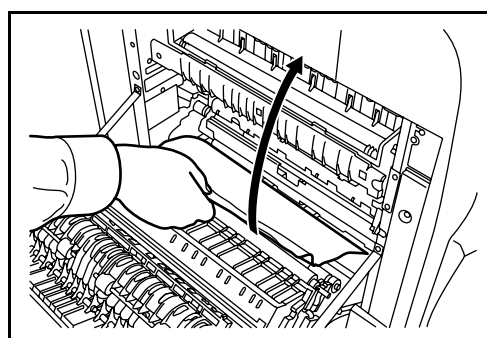
Duplex Unit and Cassette 1

Follow the steps below to clear paper jams in duplex unit and cassette 1.

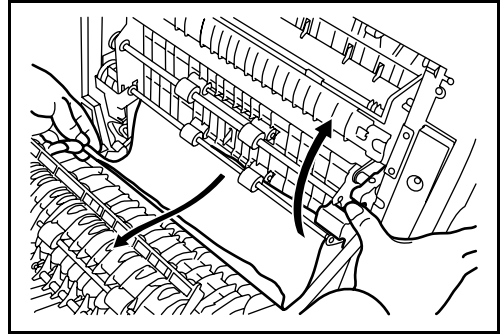
- 1** Pull up left cover 1 handle and open left cover.



- 2** Remove the jammed paper.

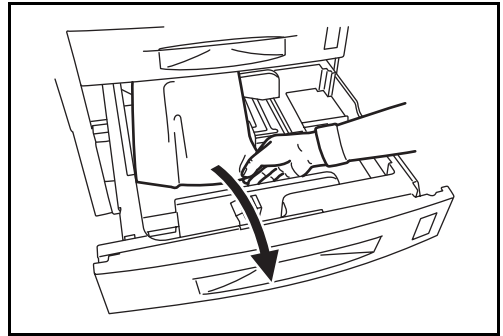


- 3** Lift duplex unit and remove the jammed paper.



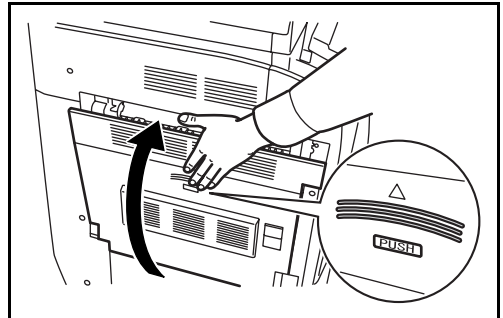
- 4** Pull out cassette 1 and remove the jammed paper.

If the paper tears, remove every loose scrap from inside the machine.



- 5** Push cassette 1 back in place securely.

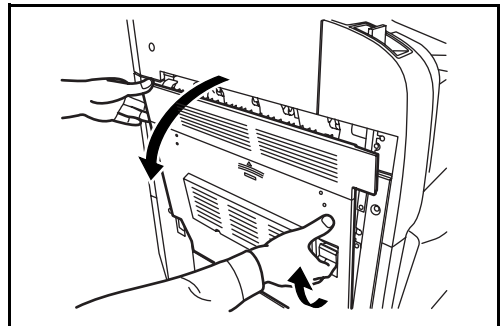
- 6** Press the specified position to close left cover 1.



Paper Feed Unit

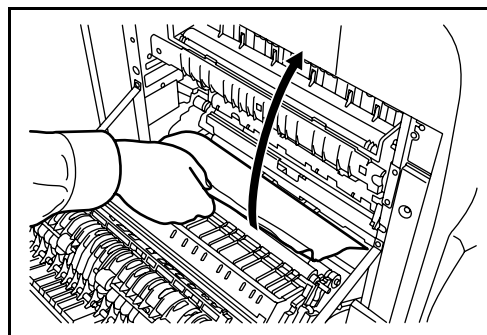
Follow the steps below to clear paper jams in the paper feed unit.

- 1** Open left cover 1.



2 Remove the jammed paper.

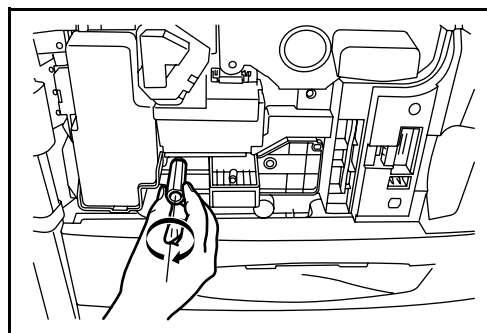
If the paper tears, remove every loose scrap from inside the machine.



3 Open front cover.

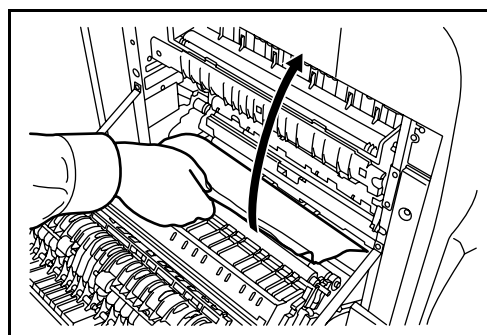


4 Turn green knob (A1) clockwise.

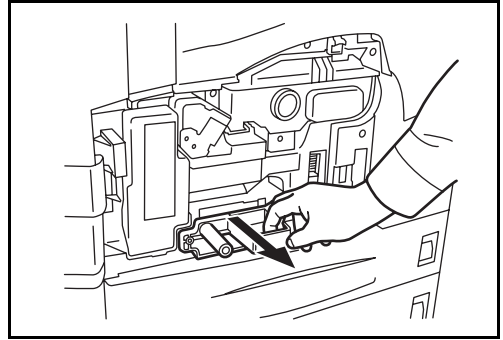


5 Remove the jammed paper.

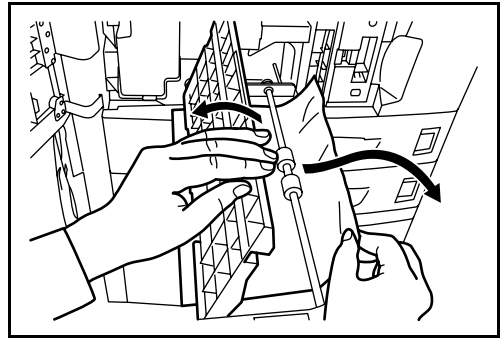
If you cannot remove the paper, proceed with the next step.



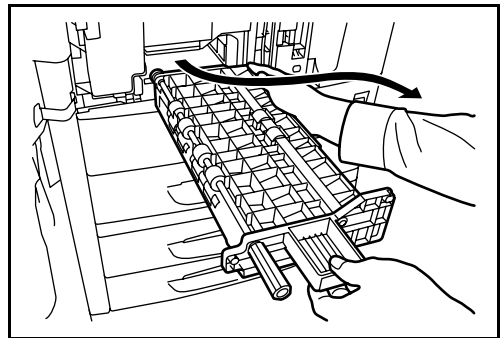
- 6** Pull out paper feed unit (A2).



- 7** Open paper feed unit cover (A3) and remove the jammed paper.

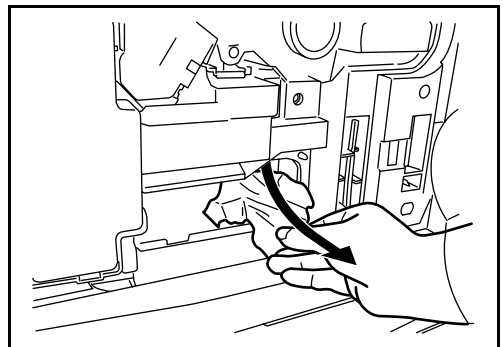


- 8** If the paper is torn, pull paper feed unit (A2) all the way out and lift it slightly to remove the paper.



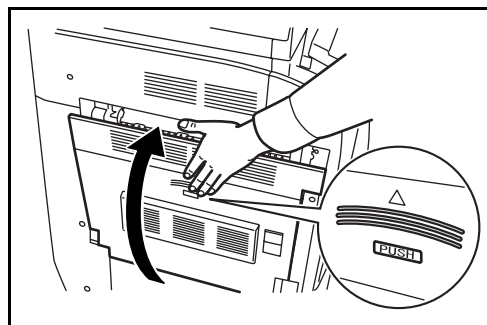
- 9** Remove the jammed paper.

If you cannot remove the paper, proceed with the next step.



- 10** Push paper feed unit (A2) back in place, and close front cover.

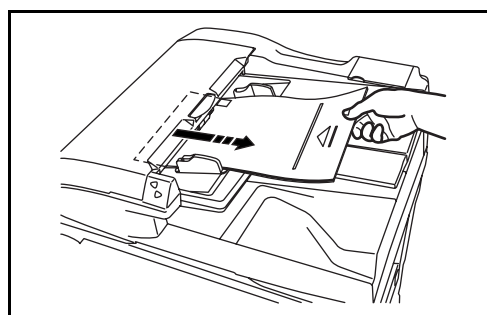
- 11** Press the specified position to close left cover 1.



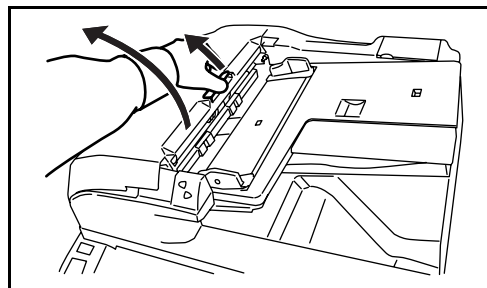
Optional Document Processor

Follow the steps below to clear paper jams in the optional document processor.

- 1** Remove the original from the original tray.

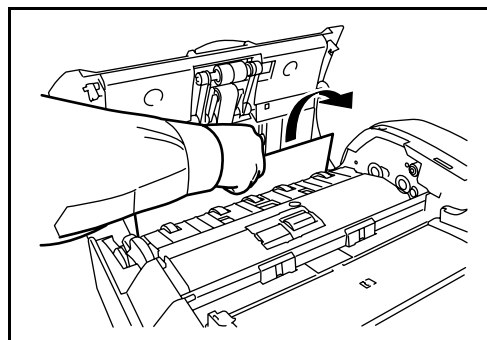


- 2** Open the document processor top cover.

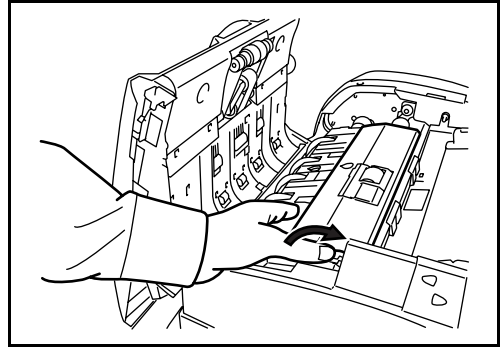


- 3** Remove the jammed original.

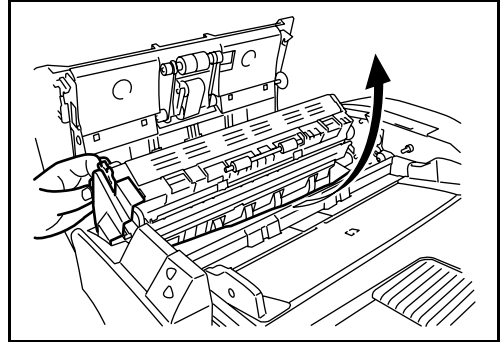
If the original tears, remove every loose scrap from inside the machine.



If it is difficult to remove the original, turn the feed dial. The original will be pushed to a place where it is easier to remove.



- 4** Lift reverse unit.



- 5** Remove the jammed original.

If the original tears, remove every loose scrap from inside the machine.

- 6** Replace reverse unit, and close the document processor top cover.

- 7** Reload the originals on the document processor tray.

Optional Document Finisher

If a misfeed occurs in the optional document finisher or 3,000-sheet capacity document finisher, refer to *the respective Operation Guides to clear the jam*.

Appendix

- Character Entry Method Appendix-2
- Specifications Appendix-6

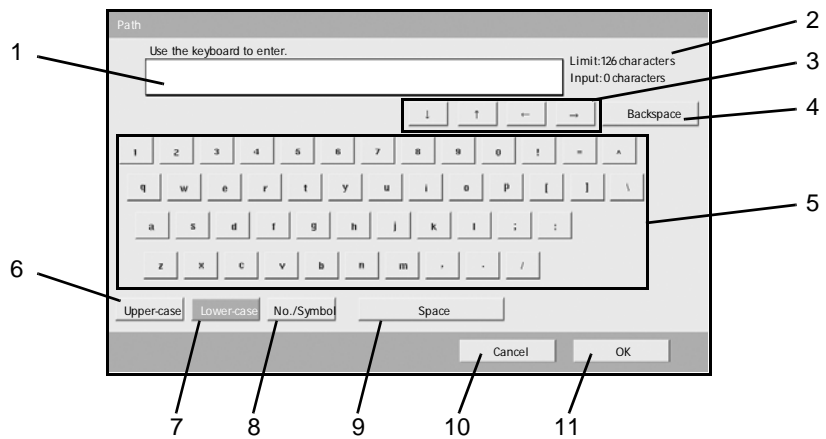
Character Entry Method

To enter characters for a name, use the on-display keyboard in the touch panel following the steps as explained below.

NOTE: As keyboard layout, QWERTY, QWERTZ and AZERTY are available same as PC keyboard. Press the **System Menu**, [Common Settings] and then [Change] of *Key board* to choose desired layout. QWERTY layout is used here as an example. You may use other layout following the same steps.

Entry Screens

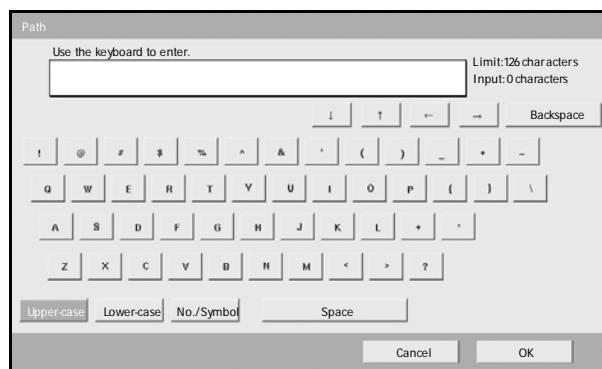
Lower-case Letter Entry Screen



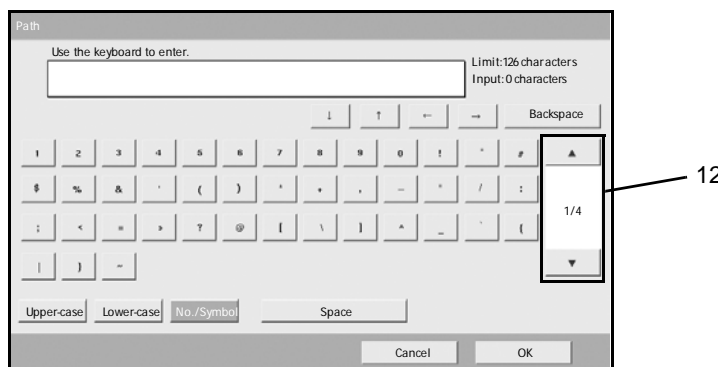
No.	Display/Key	Description
1	Display	Displays entered characters.
2	Limit Display	Displays maximum number of characters.
3	Cursor Key	Press to move the cursor on the display.
4	[Back space]	Press to delete a character next to the left of the cursor.
5	Keyboard	Press the character to enter.
6	[Upper-case]	Press to use upper-case letters.
7	[Lower-case]	Press to use lower-case letters,
8	[No./Symbol]	Press to enter numbers and symbols.
9	[Space]	Press to insert space.

No.	Display/Key	Description
10	[Cancel]	Press to cancel entered character and return to the screen before the entry.
11	[OK]	Press to finalize entry and return to the screen before the entry.

Upper-case Letter Enter Screen



Number/Symbol Enter Screen

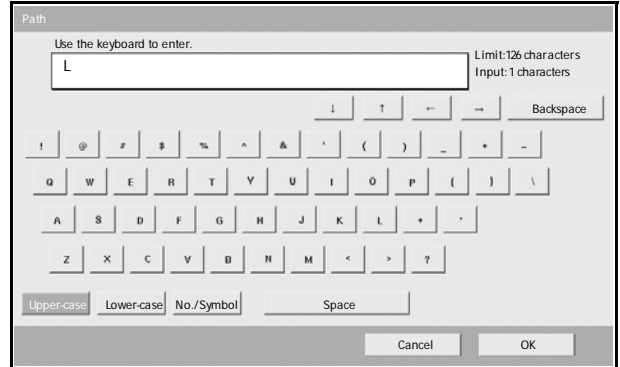


No.	Display/Key	Description
12	[▲]/[▼]	To enter the number or symbol not shown in the keyboard, press the cursor key and scroll the screen to view other numbers or symbols to enter.

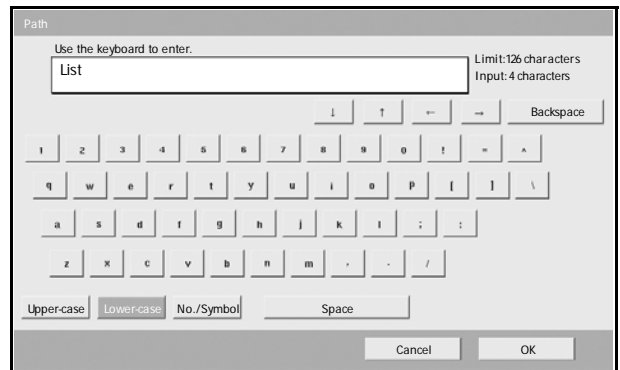
Entering Characters

Follow the steps shown below to enter *List A-1* for example.

- 1** Press [Upper-case].
- 2** Press [L]. The letter *L* is shown on the display.

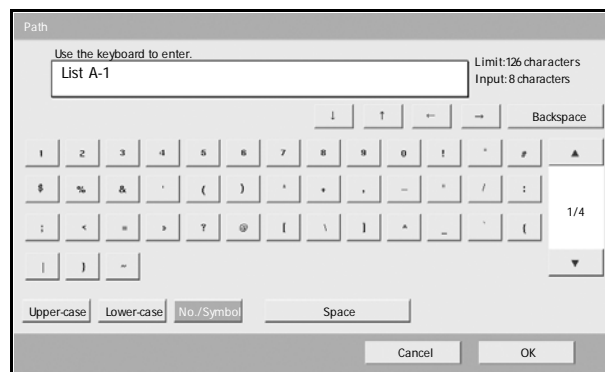


- 3** Press [Lower-case].
- 4** Press [i], [s], [t] and [Space].



- 5** Press [Upper-case].
- 6** Press [A].
- 7** Press [No./Symbol].
- 8** Press [▲] or [▼] repeatedly to view the keyboard containing [-] and [1].

9 Press [-] and [1].



10 Check that the entry is correct. Press [OK].

Specifications

NOTE: Specifications are subject to change without notice.

Machine

Copying System	Indirect Electrostatic System
Originals Supported	Sheets, Books, 3-dimensional objects (maximum original size: A3/Ledger)
Copy Sizes	
Cassettes 1 and 2	Ledger, Legal, Oficio II, 8.5×13.5", Letter, Letter-R, Statement-R, A3, B4, A4, A4-R, B5, B5-R, A5-R, Folio, 8K, 16K, 16K-R
Multi Purpose Tray	Ledger, Legal, Oficio II, 8.5×13.5", Letter, Letter-R, Executive, Statement-R, A3, B4, A4, A4-R, B5, B5(ISO), B5-R, A5-R, B6-R, A6-R, Oufuku Hagaki, Hagaki, Envelope DL, Envelope C5, Envelope C4, Comm.#10, Comm.#9, Comm.#6-3/4, Monarch, Youkei 2, Youkei 4, Folio, 8K, 16K, 16K-R
Duplexing	A3 to A5-R, Ledger to Statement-R
Non-Copying Margin	0.5 to 5.5 mm maximum
Paper Supply Capacity	
Cassettes 1 and 2	500 sheets (80 g/m ²)
Multi Purpose Tray	200 sheets (80 g/m ²)
Output Tray Capacity	250 sheets (80 g/m ²), 150 sheets (80 g/m ² , with built-in finisher)
Warm-up Time	30 sec. Time for recovery from Sleep: 15 sec. (at room temperature 22°C/71.6°F, 60% RH)
Memory	512 MB as standard
Hard Disk	40 GB
Operating Environment	
Temperature	10 to 32.5°C/50 to 90.5°F
Humidity	15 to 80%
Altitude	2,500 m maximum
Illumination	1,500 lux maximum
Power Source	AC 120 V 60 Hz 11.5 A / AC 220 to 240 V 50 Hz 6.3 A
Dimensions (W) × (D) × (H)	29 9/16 × 25 7/16 × 29 5/16" / 599 × 646 × 745 mm
Weight	187 lbs / 85 kg
Footprint	29 5/8 × 25 7/16" (with Multi Purpose Tray) 753 × 646 mm (with Multi Purpose Tray)

Copier

Copying Speed (Platen) 30 ppm model 40 ppm model 50 ppm model	A3/Ledger: 20 sheets/min B4/Legal: 20 sheets/min A4/Letter: 30 sheets/min A4-R/Letter-R: 22 sheets/min B5: 30 sheets/min B5-R: 20 sheets/min A5-R: 14 sheets/min A6-R: 16 sheets/min A3/Ledger: 23 sheets/min B4/Legal: 23 sheets/min A4/Letter: 40 sheets/min A4-R/Letter-R: 27 sheets/min B5: 40 sheets/min B5-R: 22 sheets/min A5-R: 16 sheets/min A6-R: 18 sheets/min A3/Ledger: 26 sheets/min B4/Legal: 26 sheets/min A4/Letter: 50 sheets/min A4-R/Letter-R: 31 sheets/min B5: 50 sheets/min B5-R: 24 sheets/min A5-R: 18 sheets/min A6-R: 18 sheets/min
First Copy Time	30 ppm model: 3.9 sec. or less (1:1, A4/Letter, Platen) 40/50 ppm model: 3.5 sec. or less (1:1, A4/Letter, Platen)
Resolution	Scanning: 600 × 600 dpi Printing: 600 × 600 dpi (Photo mode: 1800 dpi equivalent × 600 dpi)
Continuous Copying	1 to 999 sheets
Zoom Level	Any level from 25 to 400% in 1% increments (with the document processor: 25 to 200%) Includes preset zoom levels

Printer

Printing Speed	Same as <i>Copying Speed</i> .
First Print Time	Same as <i>First Copy Time</i>
Resolution	300 dpi (smoothing available), 600 dpi, Fast 1200 mode
Operating System	Windows 95 (OSR2), Windows 98 (Second Edition), Windows NT 4.0 (Service Pack 5 or later), Windows 2000 (Service Pack 2 or later), Windows Me, Windows XP, Windows Server 2003, Apple Macintosh OS 9.x/OS X 10.x
Interface	Parallel interface: 1 (based on IEEE1284) Network interface: 1 USB memory slot: 3 (USB Hi-Speed) USB Interface Connector: 1 (USB Hi-Speed) Serial interface (optional): 1 (RS-232C)
Controller Software	
PDL	PRESCRIBE
Emulation	PCL6 (5e, XL) KPDL3 (PostScript3 compatible) KC-GL Line Printer IBM Proprinter X24E DIABLO 630 EPSON LQ-850
Fonts	Outline font: 80 fonts (PCL6) 136 fonts (KPDL3) Bitmap font: 1 font 79 fonts are processed by outline font.
Connectivity	Plug & Play SNMP (printer MIB supported)
Others	
EcoPrint	ON/OFF (printing speed not affected)
Smoothing	KIR ON/OFF 600 dpi mode: 2400 dpi equivalent × 600 dpi
EcoMemory	Memory saving by means of compression and decompression of raster data with software
Internet Printing	IPP/1.0
E-mail Printing	Printing of received E-mail data
e-MPS	Storing print data in HDD for print output

Scanner

Ethernet	10BASE-T/100BASE-TX
Network Protocol	TCP/IP
Color/ Monochrome	Both color and monochrome
Transmission System	PC transmission SMB Scan to SMB FTP Scan to FTP E-mail transmission SMTP Scan to E-mail TWAIN scan TWAIN source
Resolution	600 dpi, 400 dpi, 300 dpi, 200 dpi, 200 x100 dpi, 200 x 400 dpi (* Resolution in FAX mode included)
Gradation	B/W: (a) Text mode: Binary/dot 256 gradations (error diffusion) (b) Photo mode: Binary/dot 256 gradations (error diffusion) (c) Text/Photo mode: Binary/dot 256 gradations (error diffusion) (d) OCR mode: Binary/dot 2 gradations Color: RGB 256 values/dot
Zoom Level	Same as Copier Zoom Level
Scanning Capacity	Max. 999 sheets (998 sheets for 2-sided originals)
File Format	Monochrome TIFF (MMR), PDF (MMR) Gray TIFF (JPEDG), PDF (JPEG) Color JPEG, PDF (high compression)
Scanning Speed	1-sided B/W 50 sheets/min Color 25 sheets/min 2-sided B/W 25 sheets/min Color 12.5 sheets/min (A4 landscape, 600 dpi, Image quality: Text/Photo original)

Document Processor (option)

Original Feed Method	Automatic feed
Supported Original Types	Sheet originals
Paper Size	Maximum: Ledger/A3 Minimum: Statement-R/A5-R
Paper Weight	45 to 160 g/m ²
Loading Capacity	100 sheets (50 to 80 g/m ²) maximum Mixed original sizes (auto selection): 30 sheets (50 to 80 g/m ²) maximum
Dimensions (W) x (D) x (H)	22 ³ / ₈ x 20 ¹¹ / ₁₆ x 5 ⁷ / ₈ " 569 x 525 x 149 mm
Weight	Approx. 28.6 lbs or less / Approx. 13 kg or less

Paper Feeder (option)

Paper Supply Method	Friction Feed (No. Sheets: 500, 80 g/m ² , 2 cassettes)
Paper Size	Ledger, Legal, Oficio II, 8.5x13.5", Letter, Letter-R, Statement-R, A3, B4, A4, A4-R, B5, B5-R, A5-R, Folio, 8K, 16K, 16K-R
Supported Paper	Paper weight: 60 - 105 g/m ² Paper types: standard, recycled, color
Dimensions (W) x (D) x (H)	23 ⁵ / ₁₆ x 23 ¹ / ₄ x 12 ³ / ₈ " 585 x 590 x 315 mm
Weight	Approx. 57.2 lbs. / Approx. 26 kg

3000 Sheet Paper Feeder (option)

Paper Supply Method	Friction retard method (No. sheets: 3000, 80 g/m ²)
Paper Size	Letter, A4, B5
Supported Paper	Paper weight: 60 - 105 g/m ² Paper types: standard, recycled, color
Dimensions (W) x (D) x (H)	23 ⁵ / ₁₆ x 23 ⁵ / ₈ x 12 ³ / ₈ " 585 x 600 x 314 mm
Weight	Approx. 50.6 lbs. / Approx. 23 kg

Document Finisher (option)

Number of Trays	1 tray
Paper Size (Non-stapling)	Ledger, Legal, Oficio II, 8.5x13.5", A3, B4, Folio, 8K: 500sheets Letter, Letter-R, A4, A4-R, B5, 16K: 1000 sheets
Supported Paper Weight	Stapling: 80 g/m ² or less
Maximum Sheets for Stapling	Ledger, Legal, Oficio II, 8.5x13.5", A3, B4, Folio: 20 sheets Letter, Letter-R, A4, A4-R, B5: 30 sheets (Paper weight 80 g/m ² or less)
Dimensions (W) x (D) x (H)	22 x 20 ¹¹ / ₁₆ x 36 ¹ / ₁₆ " 558 x 526 x 916 mm
Weight	Approx. 55 lbs. / Approx. 25 kg

3000 Sheet Document Finisher (option)

Number of Trays	3 tray
Paper Size	
Tray A (Non-stapling)	Ledger, Legal, Oficio II, 8.5x13.5", A3, B4, Folio, 8K: 1500 sheets Letter, Letter-R, A4, A4-R, B5, 16K: 3000 sheets
Tray B	Ledger, Legal, Oficio II, 8.5x13.5", A3, B4, Folio, 8K: 100 sheets Letter, Letter-R, Statement-R, A4, A4-R, B5, B5-R, A5-R, B6-R, A6-R, 16K, 16K-R: 200 sheets Hagaki: 200 sheets
Tray C	Letter, Statement-R, A4, B5, A5-R, B6-R, A6-R, 16K: 50 sheets Hagaki: 50 sheets
Supported Paper Weight	Stapling: 90 g/m ² or less Punching (option): 45 - 200 g/m ²
Maximum Sheets for Stapling	Ledger, Legal, Oficio II, 8.5x13.5", A3, B4, Folio, 8K: 30 sheets, Letter, Letter-R, A4, A4-R, B5, 16K: 50 sheets (Paper weight 90 g/m ² or less)
Dimensions (W) x (D) x (H)	26 ¹⁵ / ₁₆ x 22 ³ / ₁₆ x 42 ¹³ / ₁₆ " 684 x 563 x 1087 mm
Weight	Approx. 105.6 lbs. or less / Approx. 48 kg or less

Job Separator (option)

Number of Trays	1 tray
Maximum Sheets	100 sheets (80 g/m ²)
Paper Size	Ledger, Legal, Oficio II, 8.5x13.5", Letter, Letter-R, Executive-R, Statement-R, A3, B4, A4, A4-R, B5, B5-R, A5-R, B6-R, Folio
Paper Type	Paper weight: 45 - 160 g/m ² Paper type: plain, recycled, color, thin
Dimensions (W) x (D) x (H)	20 ¹³ / ₁₆ x 18 ¹¹ / ₁₆ x 3 ³ / ₁₆ " 530 x 475 x 82 mm
Weight	3.3 lbs. or less / 1.5 kg or less

Built-in Finisher

Number of Trays	1 tray
Paper Size	Ledger, Legal, Oficio II, 8.5x13.5", A3, B4, Folio: 250 sheets
(Non-Stapling) Supported Paper	Letter, Letter-R, A4, A4-R, B5: 500 sheets 60 to 80 g/m ²
Weight	19.8 lbs or less / Approx. 9 kg or less
Maximum Sheets for Stapling	Ledger, Legal, A3, B4, Folio: 20 sheets Letter, Letter-R, A4, A4-R, B5: 30 sheets (Paper weight 80 g/m ² or less)
Dimensions (W) x (D) x (H)	12 ³ / ₁₆ x 16 ¹ / ₈ x 6 ⁵ / ₁₆ " 310 x 410 x 160 mm

Environmental Specifications

Time to Sleep mode (default setting)	45 minutes (30 and 40 ppm models) 90 minutes (50 ppm model)
Duplexing	Standard
Paper supply capability	100% recycled paper may be used.

NOTE: Consult your dealer or service representative for recommended paper types.

Index

Numerics

3000 Sheet Document Finisher **4-9**

3000 Sheet Paper Feeder **4-5**

A

About this Operation Guide **xvii**

Adjusting Operation Panel Angle **3-5**

Appendix **Appendix-1**

B

Basic Operation **3-1**

Built-in Finisher **4-5**

C

Canceling/Viewing/Changing Job **3-50**

Caution Labels **viii**

Changing Language (Optional) **2-14**

Character Entry Method **Appendix-2**

Checking Remaining Toner and Paper **3-54**

Cleaning **5-2**

Clearing Paper Jams **6-10**

Configuring Network (LAN Cable Connection) **2-10**

Connecting Cables **2-5**

Conventions in This Guide **xviii**

Copying **3-7**

D

Data Backup Kit **4-12**

Description of Operation Procedure **xix**

Determining Connection Method and Preparing Cables **2-3**

Document Finisher **4-9**

Document Processor **4-4**

Document Table **4-10**

E

Energy Star (ENERGY STAR[®]) Program **vi**

F

Fax Kit **4-12**

I

Included Guides **xviii**

Installation Precautions **ix**

Installing Software **2-12**

J

Job Separator **4-10**

K

Key Counter **4-11**

L

Laser Safety **xiv**

Legal and Safety Information **i**

Legal Information **ii**

Loading Originals **2-25**

Loading Paper **2-15**

M

Machine **1-2**

Maintenance **5-1**

O

Operation Panel **1-5**
Optional Equipment **4-1**
Originals and Paper Sizes **xx**
Overview of Optional Equipment **4-2**

P

Paper Feeder **4-4**
Part Names **1-1**
PDF Upgrade Kit (USB Key) **4-14**
Power On/Off **3-2**
Precautions for Use **xi**
Preparation before Use **2-1**
Printing - Printing from Applications **3-18**
Printing a Document Stored in Removable
USB Memory **3-48**

Q

Quick Setup Screen **3-55**

R

Regarding Trade Names **iii**
Responding to Error Messages **6-4**

S

Safety Conventions in This Guide **vii**
Safety Instructions Regarding the
Disconnection of Power **xv**
Security Kit (USB Key) **4-13**
Selecting Default Screen (Optional) **2-13**
Sending **3-20**
Serial Interface **4-13**
Setting Date and Time **2-8**
Sleep and Auto Sleep **3-4**
Solving Malfunctions **6-2**
Specifications **Appendix-6**
Specifying Destination **3-34**

T

Toner Container and Waste Toner Box
Replacement **5-7**
Touch Panel **1-6**
Touch Panel Display **3-6**
Troubleshooting **6-1**

U

Using Document Box **3-37**

For best results and machine performance, we recommend that you use only our original supplies for your products.



DIRECTIVE 2002/96/CE ON THE TREATMENT, COLLECTION, RECYCLING AND DISPOSAL OF ELECTRIC AND ELECTRONIC DEVICES AND THEIR COMPONENTS

INFORMATION

1. FOR COUNTRIES IN THE EUROPEAN UNION (EU)

The disposal of electric and electronic devices as solid urban waste is strictly prohibited: it must be collected separately.

The dumping of these devices at unequipped and unauthorized places may have hazardous effects on health and the environment.

Offenders will be subjected to the penalties and measures laid down by the law.

TO DISPOSE OF OUR DEVICES CORRECTLY:

- a) Contact the Local Authorities, who will give you the practical information you need and the instructions for handling the waste correctly, for example: location and times of the waste collection centres, etc.
- b) When you purchase a new device of ours, give a used device similar to the one purchased to our dealer for disposal.



The crossed dustbin symbol on the device means that:

- when it to be disposed of, the device is to be taken to the equipped waste collection centres and is to be handled separately from urban waste;
- The producer guarantees the activation of the treatment, collection, recycling and disposal procedures in accordance with Directive 2002/96/CE (and subsequent amendments).

2. FOR OTHER COUNTRIES (NOT IN THE EU)

The treatment, collection, recycling and disposal of electric and electronic devices will be carried out in accordance with the laws in force in the country in question.

GUIDE DE L'UTILISATEUR

d-Copia 300MF

d-Copia 400MF

d-Copia 500MF



Veuillez lire le guide d'utilisation avant d'utiliser le copieur.
Conservez-le à proximité de celui-ci, afin de pouvoir le consulter facilement.

olivetti

PUBLICATION EMISE PAR :

Olivetti, S.p.A.
Gruppo Telecom Italia
Via Jervis, 77 - 10015 Ivrea (Italie)
www.olivetti.com

Copyright © 2006 Olivetti
Tous droits réservés

Juillet, 2006

Les qualités requises pour ce produit sont garanties par le label CE appliqué sur le produit même.



Le constructeur se réserve le droit d'apporter des modifications au produit décrit dans cette documentation à tout moment et sans préavis.



ENERGY STAR est une marque déposée des États-Unis.

Le programme ENERGY STAR est un plan de réduction d'énergie présenté par l'Agence pour la protection de l'Environnement des États-Unis afin de répondre aux problèmes concernant l'environnement et pour encourager le développement et l'utilisation d'équipement de bureau ayant un meilleur rendement énergétique.

Nous attirons votre attention sur les actions suivantes qui peuvent compromettre la conformité attestée ci-dessus et les caractéristiques du produit :

- Alimentation électrique erronée.
 - Installation ou utilisation erronée ou non conforme aux indications exposées dans le manuel d'utilisation fourni avec le produit.
 - Remplacement de composants ou d'accessoires originaux par des pièces non approuvées par le constructeur, ou effectué par du personnel non autorisé.
-

Tous droits réservés. Aucune partie de ce document ne peut être reproduite ou transmise sous quelque forme ou par quelque moyen que ce soit, électronique ou mécanique, tel que par photocopie, enregistrement ou par un système quelconque de stockage et de rappel des informations, sans l'autorisation écrite de l'éditeur.

Informations légales et de sécurité

Prendre connaissance de ces informations avant d'utiliser la machine. Ce chapitre aborde les sujets suivants :

- Informations légales ii
- Marque commerciales iii
- Energy Star (ENERGY STAR®) Program vi
- Conventions en matière de sécurité vii
- Étiquettes Attention viii
- Précautions d'installation ix
- Précautions d'utilisation xi
- Sécurité laser xiv
- Instructions de sécurité concernant le débranchement de l'alimentation électrique xv

Informations légales

La copie ou la reproduction de ce manuel, dans sa totalité ou ses parties, est interdite sans le consentement écrit préalable de Olivetti S.p.A. Corporation.

Restriction légale concernant la copie et la numérisation

- Il peut être interdit de copier et de numériser des documents protégés par des droits d'auteur sans l'autorisation préalable du propriétaire des droits d'auteur.
- Il est absolument interdit de copier et de numériser des billets de banque nationaux ou étrangers.
- Les lois et réglementations locales peuvent interdire ou restreindre la copie et la numérisation d'articles non mentionnés ci-dessus.

Marque commerciales

- KPDL est une marque de Kyocera Corporation.
- Microsoft, MS-DOS, Windows, Windows NT et Internet Explorer sont des marques déposées de Microsoft Corporation aux États-Unis et/ou dans d'autres pays.
- Windows Me et Windows XP sont des marques commerciales de Microsoft Corporation.
- PCL est une marque déposée de Hewlett-Packard Company.
- Adobe Acrobat, Adobe Reader et PostScript sont des marques commerciales de Adobe Systems, Incorporated.
- Ethernet est une marque déposée de Xerox Corporation.
- Novel et NetWare sont des marques déposées de Novell, Inc.
- Centronics est une marque commerciale de Centronics Data Computer Corporation.
- IBM et IBM PC/AT sont des marques commerciales de International Business Machines Corporation.
- Power PC est une marque commerciale de IBM aux États-Unis et/ou dans d'autres pays.
- AppleTalk est une marque commerciale déposée de Apple Computer, Inc.
- CompactFlash et CF sont des marques commerciales de SanDisk, Inc.
- PC-PR201/65A est un produit de NEC Corporation.
- VP-1000 est un produit de Seiko Epson Corporation.
- Cette machine a été mise au point à l'aide du système d'exploitation en temps réel intégré Tornado™ de Wind River Systems, Inc.
- PCL6, un langage de commande de HP LaserJet émulé par cette machine, utilise le système compatible PeerlessPrintXL mis au point par Peerless Systems Corporation. PeerlessPrintXL est une marque de commerce de Peerless Systems Corporation (2381 Rosecrans Ave. ElSegundo, CA 90245, États-Unis).
- TrueType est une marque déposée de Apple Computer, Inc.
- DFHSGOTHIC-W5 et DFHSMINCHO-W3 sont des polices Heisei. Kyocera Mita Corporation utilise ces polices avec le consentement de l'Association japonaise de normalisation. Toute forme de reproduction de ces polices sans le consentement préalable de Kyocera Mita Corporation est interdite.
- Les polices Heisei ont été mises au point par des groupes de travail en collaboration avec l'Association japonaise de normalisation. La reproduction non autorisée de ces polices est interdite.
- TypeBankG-B, TypeBankM-M et Typebank-OCR sont des marques commerciales de TypeBank®.
- Toutes les polices des langues européennes installées sur cette machine sont sous contrat de licence de Monotype Imaging Inc.
- Helvetica, Palatino et Times sont des marques déposées de Linotype Hell AG.

- ITC Avant Garde Gothic, ITC Bookman, ITC ZapfChancery et ITC ZapfDingbats sont des marques déposées de International Type-face Corporation.
- Les polices UFST™ MicroType® de Monotype Imaging Inc. sont installées sur cette machine.
- Cette machine contient le module NF mis au point par ACCESS Co., Ltd.
- Cette machine contient un logiciel dont les modules ont été mis au point par le Groupe Indépendant JPEG.

Tous les autres noms de marques et de produits sont des marques commerciales ou déposées de leurs propriétaires respectifs. Les symboles ™ et ® ne sont pas employés dans ce manuel d'utilisation.

Monotype Imaging License Agreement

- 1** *Software* shall mean the digitally encoded, machine readable, scalable outline data as encoded in a special format as well as the UFST Software.
- 2** You agree to accept a non-exclusive license to use the Software to reproduce and display weights, styles and versions of letters, numerals, characters and symbols (*Typefaces*) solely for your own customary business or personal purposes at the address stated on the registration card you return to Monotype Imaging. Under the terms of this License Agreement, you have the right to use the Fonts on up to three printers. If you need to have access to the fonts on more than three printers, you need to acquire a multi-user license agreement which can be obtained from Monotype Imaging. Monotype Imaging retains all rights, title and interest to the Software and Typefaces and no rights are granted to you other than a License to use the Software on the terms expressly set forth in this Agreement.
- 3** To protect proprietary rights of Monotype Imaging, you agree to maintain the Software and other proprietary information concerning the Typefaces in strict confidence and to establish reasonable procedures regulating access to and use of the Software and Typefaces.
- 4** You agree not to duplicate or copy the Software or Typefaces, except that you may make one backup copy. You agree that any such copy shall contain the same proprietary notices as those appearing on the original.

- 5** This License shall continue until the last use of the Software and Typefaces, unless sooner terminated. This License may be terminated by Monotype Imaging if you fail to comply with the terms of this License and such failure is not remedied within thirty (30) days after notice from Monotype Imaging. When this License expires or is terminated, you shall either return to Monotype Imaging or destroy all copies of the Software and Typefaces and documentation as requested.
- 6** You agree that you will not modify, alter, disassemble, decrypt, reverse engineer or decompile the Software.
- 7** Monotype Imaging warrants that for ninety (90) days after delivery, the Software will perform in accordance with Monotype Imaging-published specifications, and the diskette will be free from defects in material and workmanship. Monotype Imaging does not warrant that the Software is free from all bugs, errors and omissions.

The parties agree that all other warranties, expressed or implied, including warranties of fitness for a particular purpose and merchantability, are excluded.
- 8** Your exclusive remedy and the sole liability of Monotype Imaging in connection with the Software and Typefaces is repair or replacement of defective parts, upon their return to Monotype Imaging.

In no event will Monotype Imaging be liable for lost profits, lost data, or any other incidental or consequential damages, or any damages caused by abuse or misapplication of the Software and Typefaces.
- 9** Massachusetts U.S.A. law governs this Agreement.
- 10** You shall not sublicense, sell, lease, or otherwise transfer the Software and/or Typefaces without the prior written consent of Monotype Imaging.
- 11** Use, duplication or disclosure by the Government is subject to restrictions as set forth in the Rights in Technical Data and Computer Software clause at FAR 252-227-7013, subdivision (b)(3)(ii) or subparagraph (c)(1)(ii), as appropriate. Further use, duplication or disclosure is subject to restrictions applicable to restricted rights software as set forth in FAR 52.227-19 (c)(2).
- 12** You acknowledge that you have read this Agreement, understand it, and agree to be bound by its terms and conditions. Neither party shall be bound by any statement or representation not contained in this Agreement. No change in this Agreement is effective unless written and signed by properly authorized representatives of each party. By opening this diskette package, you agree to accept the terms and conditions of this Agreement.

Energy Star (ENERGY STAR®) Program

Nous avons voulu, en tant que société participant au Programme International Energy Star, que cette machine soit conforme aux normes du Programme International Energy Star.



À propos du programme international Energy Star

Le programme international Energy Star a comme buts essentiels la promotion d'une utilisation efficace de l'énergie et la réduction de la pollution de l'environnement naturel résultant de la consommation de l'énergie, en promouvant la fabrication et la vente de produits satisfaisant aux normes du programme.

Les normes du Programme International Energy Star exigent que les machines multifonctions soient équipées d'un mode à faible consommation, où la consommation est réduite dans le délai fixé, à la suite de la dernière utilisation de la machine, ainsi que d'un mode d'extinction automatique entrant en vigueur dans le délai d'inactivité fixé. Si la machine présente des fonctions d'imprimante et de télécopie, l'imprimante et le télécopieur doivent entrer en mode de faible consommation où la consommation est réduite dans le délai fixé, à la suite de la dernière utilisation de la machine, ainsi que d'un mode veille où la consommation d'énergie reste réduite à un minimum si la machine n'est pas utilisée durant le délai d'inactivité fixé.

Ce produit est équipé des fonctions suivantes résultant de sa conformité aux normes du programme international Energy Star.

Cette machine présente un mode de veille seulement en vue d'une réduction complémentaire de la consommation d'énergie.

Veille

Cette machine passe automatiquement en mode de veille 15 minutes après sa dernière utilisation. Il est possible d'allonger le délai d'inactivité à l'issue duquel la machine passe en mode de veille. Pour de plus amples informations, reportez-vous à la *Veille et veille automatique* à la page 3-4.

Fonction de copie recto verso automatique

Le programme Energy Star encourage l'utilisation de la fonction de copie recto verso, qui réduit l'impact sur l'environnement. Cet appareil inclut la copie recto verso comme fonction standard. Par exemple, en copiant deux originaux recto sur une seule feuille de papier avec la fonction recto verso, il est possible de réduire la quantité de papier utilisée. Pour plus d'informations, voir la section *Copie recto verso* à la page 3-13.

Recyclage du papier

Le programme Energy Star encourage l'utilisation de papier recyclé respectant l'environnement. Le revendeur et le technicien peuvent fournir des informations sur les types de papier recommandés.

Conventions en matière de sécurité

Les sections du présent manuel ainsi que les éléments de la machine marqués de symboles sont des avertissements de sécurité, destinés, d'une part, à assurer la protection de l'utilisateur, d'autres personnes et des objets environnants et, d'autre part, à garantir une utilisation correcte et sûre de la machine. Les symboles et leur signification figurent ci-dessous.



AVERTISSEMENT: le non-respect de ces points ou le manque d'attention vis-à-vis de ceux-ci risque de provoquer des blessures graves, voire la mort.



ATTENTION: le non-respect de ces points ou le manque d'attention vis-à-vis de ceux-ci risque de provoquer des blessures graves ou d'occasionner des dommages mécaniques.

Symboles

Le symbole \triangle indique que la section concernée comprend des avertissements de sécurité. Ils attirent l'attention du lecteur sur des points spécifiques.



.... [Avertissement d'ordre général]



.... [Avertissement relatif à un danger de décharge électrique]



.... [Avertissement relatif à une température élevée]

Le symbole \otimes indique que la section concernée contient des informations sur des opérations interdites. Ils précèdent les informations spécifiques relatives à ces opérations interdites.



.... [Avertissement relatif à une opération interdite]



.... [Démontage interdit]

Le symbole \bullet indique que la section concernée contient des informations sur des opérations qui doivent être exécutées. Ils précèdent les informations spécifiques relatives à ces opérations requises.



.... [Alerte relative à une action requise]



.... [Retirer la fiche du cordon d'alimentation de la prise]



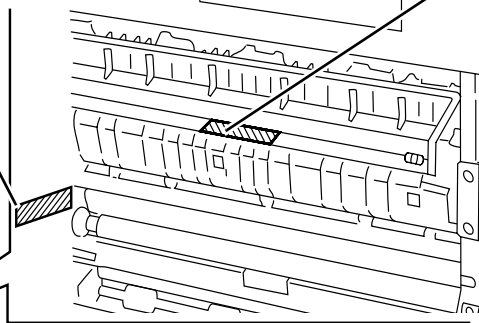
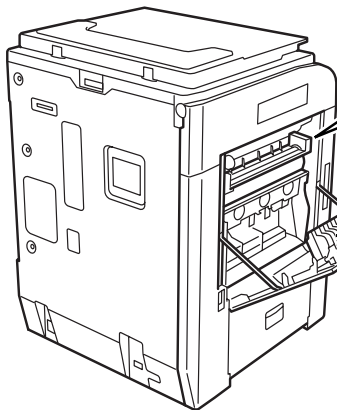
.... [Toujours brancher la machine sur une prise raccordée à la terre]

Contactez le technicien pour demander le remplacement du présent manuel d'utilisation si les avertissements en matière de sécurité sont illisibles ou si le manuel lui-même est manquant (participation demandée).

Étiquettes Attention

Par mesure de sécurité, des étiquettes Attention ont été apposées sur la machine aux endroits suivants. Faire preuve de prudence pour éviter brûlures ou décharges électriques lors de l'élimination d'un bouchage papier ou du remplacement de le réservoir d'encre.

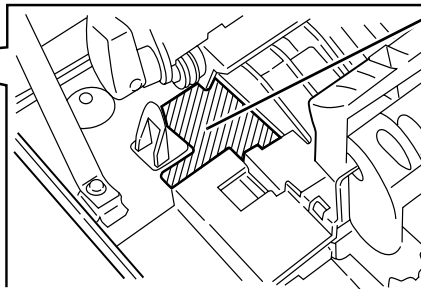
Haute tension à l'intérieur. Pour éviter les risques d'électrocution ne pas toucher les pièces de cette zone.



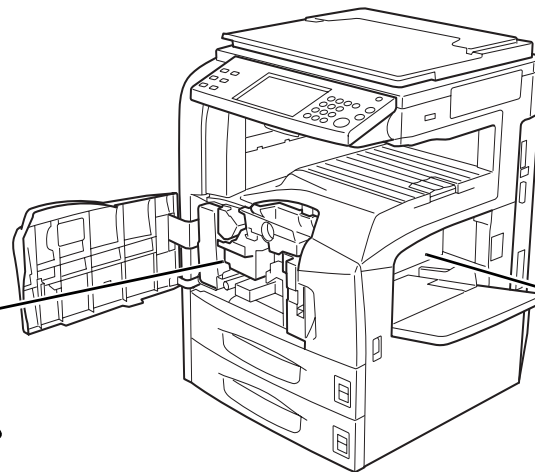
Température élevée à l'intérieur. Pour éviter les risques de brûlures ne pas toucher les pièces de cette zone.



Température élevée à l'intérieur. Pour éviter les risques de brûlures ne pas toucher les pièces de cette zone.



Ne pas essayer d'incinérer le réservoir d'encre ni la bouteille de récupération du toner. Des étincelles dangereuses peuvent provoquer des brûlures.



Pièces mobiles à l'intérieur. Pour éviter tout risque de blessure ne pas toucher les pièces de cette zone.





REMARQUE: ne pas ôter ces étiquettes.


Précautions d'installation


Environnement

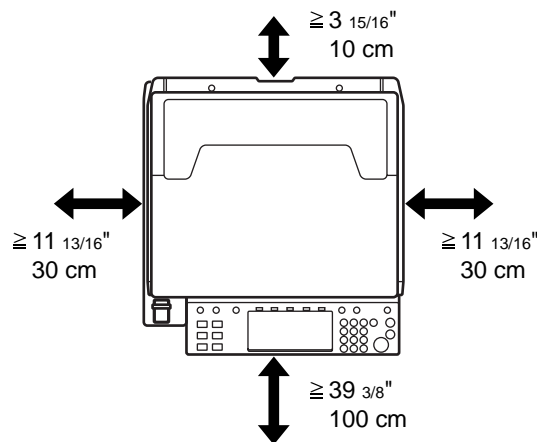
Attention

Éviter de placer la machine à des endroits instables ou qui ne sont pas de niveau. En effet, de tels emplacements risquent de faire basculer ou tomber la machine. Ce type d'emplacement présente un risque de blessures corporelles ou de dommages de la machine. 

Éviter les endroits humides ou poussiéreux. Si la prise de courant est encrassée ou poussiéreuse, nettoyer-la de façon à éviter les risques d'incendie ou de décharge électrique. 

Pour éviter tout danger d'incendie, éviter les endroits proches de radiateurs, foyers ou autres sources de chaleur, ainsi que la proximité d'objets inflammables. 

Afin que la machine conserve une température limitée et pour que l'entretien et les réparations puissent s'effectuer facilement, ménager un espace permettant le libre accès à la machine, comme indiqué ci-dessous. Laisser un espace adéquat, en particulier autour du couvercle arrière, de façon à permettre à l'air d'être correctement expulsé de la machine. 



Autres précautions

Des conditions d'environnement incorrectes risquent d'affecter la sécurité de fonctionnement et les performances de la machine. Installer la machine dans une pièce climatisée et éviter les emplacements suivants comme site d'accueil de la machine.

- Éviter la proximité d'une fenêtre ou l'exposition directe à la lumière du soleil.

- Éviter les endroits soumis aux vibrations.
- Éviter les endroits soumis à d'importantes fluctuations de température.
- Éviter les endroits directement exposés à l'air chaud ou à l'air froid.
- Éviter les endroits mal aérés.

Si le revêtement du sol n'est pas très résistant, il risque d'être endommagé par les roulettes lors d'un déplacement ultérieur de la machine.

De petites quantités d'ozone sont libérées pendant les opérations de copie, mais ces quantités ne représentent aucun risque pour les humains. Si toutefois la machine est utilisée pendant une période prolongée dans une pièce mal aérée ou en cas de tirage d'un très grand nombre de copies, l'odeur dégagée peut devenir inconfortable. Dès lors, pour conserver un environnement de travail approprié au tirage de copies, nous recommandons d'aérer correctement la pièce.

Alimentation électrique/Mise à la terre de la machine

Avertissement

Utiliser uniquement une alimentation électrique présentant une tension similaire à la tension spécifiée. Éviter les raccordements multiples sur la même prise de courant. Ces types de situation présentent un risque d'incendie ou de décharge électrique.



Bien enfoncer la fiche du cordon d'alimentation dans la prise. Si des objets métalliques entrent en contact avec les broches de la fiche, il y a risque d'incendie ou de décharge électrique.



Toujours brancher la machine sur une prise de courant reliée à la terre, afin d'éviter tout risque d'incendie ou de décharge électrique en cas de court-circuit. S'il s'avère impossible de brancher la machine sur une prise de courant reliée à la terre, contacter un technicien de maintenance.



Autres précautions

Brancher la fiche du cordon d'alimentation à la prise la plus proche de la machine.

Manipulation des sacs en plastique

Avertissement

Conserver hors de portée des enfants les sacs en plastique utilisés avec la machine. Le plastique risque en effet de bloquer leurs voies respiratoires et d'entraîner leur étouffement.



Précautions d'utilisation

Précautions à prendre lors de l'utilisation de la machine

Avertissement

Ne pas poser d'objets métalliques ou d'objets contenant de l'eau (vases, pots de fleur, tasses, etc.) sur la machine ou à proximité de celle-ci. Ces situations présentent un risque d'incendie ou de décharge électrique si des liquides s'écoulent à l'intérieur de la machine.



N'ouvrir aucun couvercle de la machine, car il y a danger de décharge électrique en raison de la présence de pièces soumises à haute tension à l'intérieur de la machine.



Ne pas endommager, couper ou tenter pas de réparer le cordon d'alimentation. Ne pas poser d'objets lourds sur le cordon d'alimentation, ne pas tirer dessus inutilement ni l'endommager de quelque façon que ce soit. Ces types de situation présentent un risque d'incendie ou d'électrocution.



Ne jamais tenter de réparer ou de démonter la machine ou ses pièces, sous peine de provoquer un incendie, une électrocution, ou de s'exposer au faisceau laser. En sortant de la machine le faisceau laser peut causer la cécité.



Si la machine devient extrêmement chaude, si elle dégage de la fumée et une odeur désagréable ou si toute manifestation anormale se produit, il y a danger d'incendie ou de décharge électrique. Mettre immédiatement la machine hors tension (interrupteur sur la position O), s'assurer de retirer la fiche du cordon d'alimentation de la prise et appeler le technicien.



Si un corps étranger, de quelque nature qu'il soit (trombones, eau, autres liquides, etc.), tombe à l'intérieur de la machine, mettre immédiatement cette dernière hors tension (interrupteur sur la position O). Ensuite, veiller à retirer la fiche du cordon d'alimentation de la prise pour éviter tout risque d'incendie ou de décharge électrique. Enfin, contacter le technicien.



Ne pas brancher ou retirer la fiche du cordon d'alimentation avec les mains mouillées, car il y a risque de décharge électrique.



Contactez toujours un technicien pour l'entretien ou la réparation des pièces internes.



Attention

Ne pas tirer sur le cordon d'alimentation lors du débranchement de la prise. Si le cordon d'alimentation est tiré, les câbles peuvent se rompre et provoquer un danger d'incendie ou de décharge électrique. (Toujours débrancher le cordon d'alimentation en l'attrapant par la fiche.)



Toujours débrancher la fiche du cordon d'alimentation de la prise avant de déplacer la machine. Si le cordon est endommagé, il y a risque d'incendie ou de décharge électrique.



Utiliser exclusivement les parties désignées pour soulever ou déplacer la machine.



Pour des raisons de sécurité, toujours retirer le cordon d'alimentation de la prise de courant lors de l'exécution d'opérations de nettoyage.



L'accumulation de poussière à l'intérieur de la machine peut entraîner un incendie ou d'autres problèmes. Par conséquent, il est recommandé de contacter un technicien de maintenance pour le nettoyage des pièces internes. Le nettoyage est particulièrement efficace s'il précède les saisons particulièrement humides. Contacter le technicien au sujet du coût du nettoyage des pièces internes.



Autres précautions

Ne pas placer d'objets lourds sur la machine ou causer d'autres dommages.

Pendant la copie, ne pas ouvrir le couvercle avant, mettre la machine hors tension ou retirer la fiche du cordon d'alimentation de la prise.

Avant de lever ou déplacer la machine, contacter le technicien.

Ne pas toucher aux pièces électriques, tels que les connecteurs et les cartes de circuits imprimés. Elles pourraient être endommagées par l'électricité statique.

Ne pas tenter de réaliser des opérations n'étant pas décrites dans le présent manuel.

Ne pas regarder directement la lumière provenant de la lampe de numérisation pour éviter tout risque de fatigue ou de douleur oculaire.

Cette machine est équipée d'un disque dur (lecteur de disque dur). Ne pas essayer de déplacer la machine quand elle est sous tension. Etant donné que tout choc électrique ou vibration peut endommager le disque dur, mettre la machine hors tension avant de la déplacer.

Précautions à prendre lors de la manipulation de consommables

Attention

Ne pas tenter d'incinérer le réservoir d'encre ni la bouteille de récupération de toner. Des étincelles dangereuses peuvent provoquer des brûlures.



Conserver le réservoir d'encre et le bouteille de récupération de toner hors de portée des enfants.



Si le toner s'écoule de le réservoir d'encre ou de la bouteille de récupération de toner, éviter l'inhalation, l'ingestion ainsi que le contact avec les yeux ou la peau.



- En cas d'inhalation de toner, se rendre dans un endroit aéré et se gargariser avec de grandes quantités d'eau. En cas de toux, consulter un médecin.
- En cas d'ingestion de toner, se rincer la bouche et boire 1 ou 2 verres d'eau pour diluer le produit dans l'estomac. Si nécessaire, contacter un médecin.
- En cas de contact du toner avec les yeux, rincer abondamment avec de l'eau. En cas d'inconfort persistant, contacter un médecin.
- En cas de contact du toner avec la peau, laver avec du savon et de l'eau.

Ne tenter pas de forcer l'ouverture de le réservoir d'encre ni du réservoir de toner au rebut.



Si le kit de télécopieur optionnel est installé et l'alimentation générale coupée, la transmission et l'émission de télécopies seront désactivées. Ne pas couper l'alimentation par l'interrupteur d'alimentation, mais appuyer sur la touche **Power** sur le panneau de commande pour mettre la machine en veille.

Autres précautions

Après utilisation, toujours jeter le réservoir d'encre et la bouteille de récupération de toner conformément aux réglementations locales.

Si la machine est appelée à ne pas fonctionner pendant une période prolongée, retirer le papier du magasin et du bac MF (bac multifonctions) et le remettre dans son emballage d'origine.

Ne pas stocker la machine dans un endroit exposé :

- directement à la lumière du soleil ;
- à une température ou une humidité élevée ou très variable (limite : 40 °C ou 104 °F).

Sécurité laser

Le rayonnement laser peut être dangereux pour le corps humain. Par conséquent, le rayonnement laser émis à l'intérieur de la machine est hermétiquement enfermé dans le boîtier de protection et le couvercle externe. Dans des conditions normales d'utilisation de la machine, il n'y a aucune fuite du rayonnement de la machine.

Conformément à la norme IEC 60825, la machine est classé comme produit laser de classe 1.

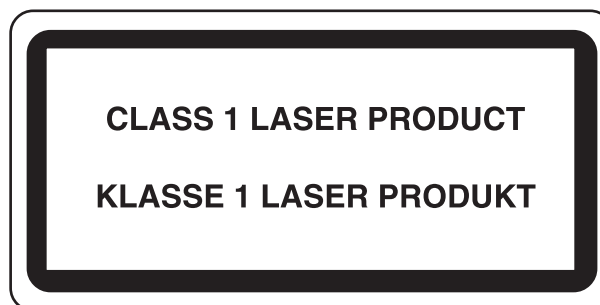
Attention: l'exécution de procédures autres que celles décrites dans le présent manuel risque d'entraîner une exposition dangereuse au rayonnement laser.

Les étiquettes ci-dessous sont apposées sur l'unité laser de numérisation à l'intérieur de la machine et ne sont pas directement accessibles à l'utilisateur.

DANGER	· LASER RADIATION WHEN OPEN. · AVOID DIRECT EXPOSURE TO BEAM.
ATTENTION	· RAYONNEMENT LASER EN CAS D'OUVERTURE. · EXPOSITION DANGEREUSE AU FAISCEAU.
VORSICHT	· LASERSTRAHLUNG, WENN ABDECKUNG GEÖFFNET. · NICHT DEM STRAHL AUSSETZEN.
ATTENZIONE	· RADIAZIONE LASER IN CASO DI APERTURA. · EVITARE L'ESPOSIZIONE AL FASCIO.
PRECAUCION	· RADIAZIONE LASER CUANDO SE ABRE. · EVITAR EXPONERSE AL RAYO.
VARO!	· AVATTAESSA OLET ALTTIINA LASERSÄTEILYLLE. · ÄLÄ KATSO SÄTEESEEN.

 警告 · このカバーの内部ではレーザー光が放射されています。
レーザー光にさらされないようにしてください。
警告 · 开盖时, 可能有激光外溢! 应避免激光直接照射。
警告 · 内部雷射放射中, 請勿隨意打開蓋子。

L'étiquette ci-dessous est apposée sur le côté droit de la machine.



Instructions de sécurité concernant le débranchement de l'alimentation électrique

Attention: la fiche du cordon d'alimentation constitue le principal dispositif d'isolement électrique. Les autres interrupteurs de la machine ne sont que des interrupteurs fonctionnels et ne conviennent pas pour l'isolation de la machine.

VORSICHT: Der Netzstecker ist die Hauptisoliervorrichtung! Die anderen Schalter auf dem Gerät sind nur Funktionsschalter und können nicht verwendet werden, um den Stromfluß im Gerät zu unterbrechen.



DÉCLARATION DE CONFORMITÉ AUX DIRECTIVES

89/336/EEC, 73/23/EEC, 93/68/EEC et 1995/5/EC

Nous déclarons sous notre responsabilité que le produit concerné par la présente déclaration est conforme aux spécifications suivantes.

EN55024

EN55022 Class B

EN61000-3-2

EN61000-3-3

EN60950

EN60825-1

EN300330-1

EN300330-2

Emetteur de fréquences radio

Cette machine contient un module de transmission. Nous, le fabricant, déclarons que cet équipement est conforme aux réglementations de la directive 1999/5/EC.

Technologie de balises radio

Dans certains pays, la technologie de balise radio utilisée dans cet équipement pour identifier le réservoir d'encre peut être sujette à autorisation et l'utilisation de cet équipement peut être par conséquent limitée.

À propos de ce manuel d'utilisation

Ce manuel d'utilisation contient les chapitres suivants :

Chapitre 1 - Nomenclature

Identifie les composants de la machine et les touches du panneau de commande.

Chapitre 2 - Préparation à l'utilisation

Explique l'ajout de papier, la mise en place des originaux, la connexion de la machine et toutes les configurations nécessaires avant une première utilisation.

Chapitre 3 - Utilisation de base

Décrit les procédures de copie, d'impression et de numérisation de base.

Chapitre 4 - Matériel en option

Présente les équipements en option disponibles pour cette machine.

Chapitre 5 - Maintenance

Décrit le nettoyage et le remplacement de toner.

Chapitre 6 - Dépannage

Explique comment gérer les messages d'erreurs, les incidents et les autres problèmes.

Annexe

Explique la saisie de caractères et répertorie les spécifications de la machine.

Manuels fournis

Les manuels ci-après sont fournis avec la machine. Se reporter au manuel approprié en fonction des besoins.

Manuel d'utilisation (ce manuel)

Explique comment charger du papier, effectuer une copie standard et décrit les procédures d'impression, de numérisation et de dépannage.

Manuel d'utilisation avancée

Décrit en détail les fonctions de copie, d'impression et de numérisation, ainsi que les paramètres par défaut.

Conventions utilisées dans ce manuel

Les conventions suivantes sont utilisées selon la nature de la description.

Convention	Description	Exemple
Gras	Identifie les touches du panneau de commande ou d'un écran d'ordinateur.	Appuyer sur la touche Départ .
[Normal]	Touches de l'écran tactile.	Appuyer sur [OK].
<i>Italique</i>	Identifie les messages affichés sur l'écran tactile.	<i>Prêt pour copie s'affiche.</i>
	Mise en évidence d'un mot clé, d'une phrase ou d'un renvoi à des informations complémentaires.	Pour plus d'informations, se reporter à la section <i>Veille et veille automatique</i> , à la page 3-4.
Remarque	Contient des informations supplémentaires ou des opérations de référence.	REMARQUE :
Important	Signale des éléments obligatoires ou interdits afin d'éviter tout problème éventuel.	IMPORTANT :
Attention	Signale des précautions obligatoires en vue d'éviter tout risque de blessure ou de détérioration de la machine et la procédure associée.	ATTENTION :

Description des procédures d'utilisation

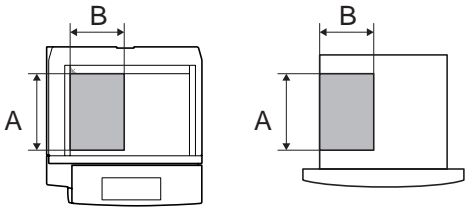
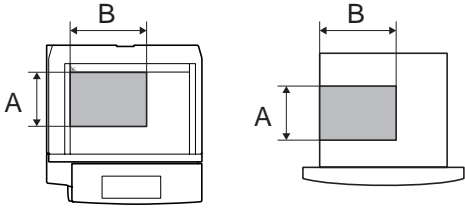
Dans ce Manuel d'utilisation, le fonctionnement des touches de l'écran tactile est le suivant :

Action	Description dans ce Manuel d'utilisation
Appuyer sur [Copie]. ▼ Appuyer sur [Suivant] dans <i>Install. rapide</i> . ▼ Appuyer deux fois sur [▼]. ▼ Appuyer sur [Modifier] dans <i>Image de l'original</i> .	Appuyer sur [Copie], [Suivant] dans <i>Install. rapide</i> , [▼] deux fois, puis [Modifier] dans <i>Image de l'original</i> .

Formats des originaux et du papier

Cette section explique la notation utilisée dans ce manuel pour désigner le format des originaux ou du papier.

Comme pour les formats A4, B5 et Letter, qui peuvent être utilisés à l'horizontale ou à la verticale, l'orientation horizontale est indiquée par le caractère supplémentaire R, pour déterminer l'orientation de l'original/du papier.

Orientation de l'original	Format indiqué *
<p>Sens vertical</p>  <p>Original Papier</p> <p>Pour l'original/le papier, la dimension A est plus longue que B.</p>	<p>A4, B5, A5, B6, A6, 16K, Letter, Statement</p>
<p>Sens horizontal</p>  <p>Original Papier</p> <p>Pour l'original/le papier, la dimension A est plus courte que B.</p>	<p>A4-R, B5-R, A5-R, B6-R, A6-R, 16K-R, Letter-R, Statement-R</p>

* Le format de l'original/du papier pouvant être utilisé dépend de la fonction et du bac source. Pour plus d'informations, se reporter à la page décrivant cette fonction ou ce bac source.

Icônes de l'écran tactile

Les icônes suivantes indiquent la direction des originaux et papiers sur l'écran tactile.


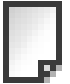


Orientation de l'original	Originaux	Papier
Sens vertical		
Sens horizontal		

Table des matières

Informations légales et de sécurité

À propos de ce manuel d'utilisation

1 Nomenclature

Machine	1-2
Panneau de commande	1-5
Écran tactile	1-6

2 Préparation à l'utilisation

Choix de la méthode de connexion et préparation des câbles	2-3
Raccordement des câbles	2-5
Configuration de la date et de l'heure	2-8
Configuration du réseau (raccordement via un câble LAN)	2-10
Installation du logiciel	2-12
Sélection de l'écran par défaut (en option)	2-13
Choix de la langue (en option)	2-14
Chargement du papier	2-15
Chargement des originaux	2-25

3 Utilisation de base

Mise sous tension et hors tension	3-2
Veille et veille automatique	3-4
Réglage de l'inclinaison du panneau de commande	3-5
Écran tactile	3-6
Copie	3-7
Impression – Impression à partir d'une application	3-18
Envoi	3-19
Spécification de la destination	3-33
Utilisation de la Boîte de document	3-36
Impression de documents stockés en mémoire USB amovible	3-47
Annulation/Visualisation/Modification d'un travail	3-49
Vérification du niveau de toner et de papier	3-53
Écran Installation rapide	3-54

4 Matériel en option

Présentation des équipements en option	4-2
Chargeur de documents	4-4
Chargeur de papier	4-4
Chargeur de papier 3 000 feuilles	4-5
Module de finition intégré	4-5
Module finition de documents	4-9
Module finition de documents 3 000 feuilles	4-9
Séparateur de travaux	4-10
Table de documents	4-10
Compteur clé	4-11

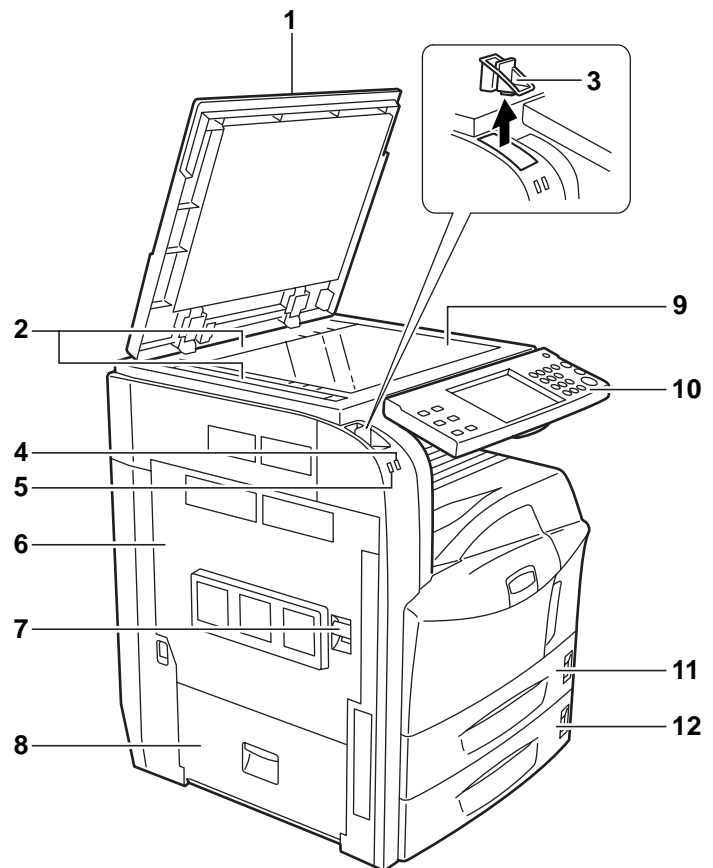
Kit de fax	4-12
Kit de sauvegarde de données	4-12
Kit de sécurité (clé USB)	4-13
Interface série	4-13
Kit de mise à niveau (clé USB)	4-14
5	Maintenance
Nettoyage	5-2
Remplacement de la cartouche de toner et du bac de récupération de toner	5-7
6	Dépannage
Résolution des dysfonctionnements	6-2
Réponse aux messages d'erreur	6-5
Résolution des incidents papier	6-11
Annexe	
Méthode de saisie de caractères	Annexe-2
Spécifications	Annexe-6
Index	

1 Nomenclature

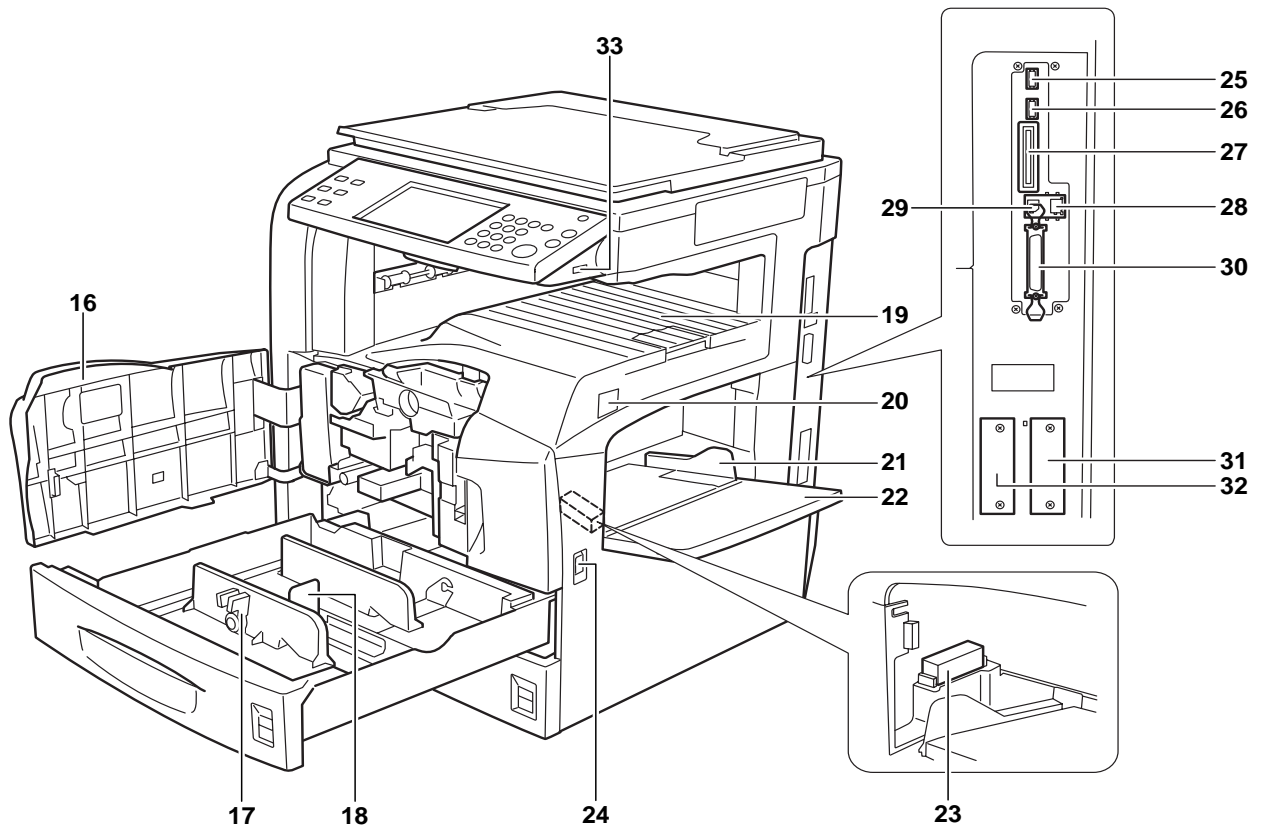
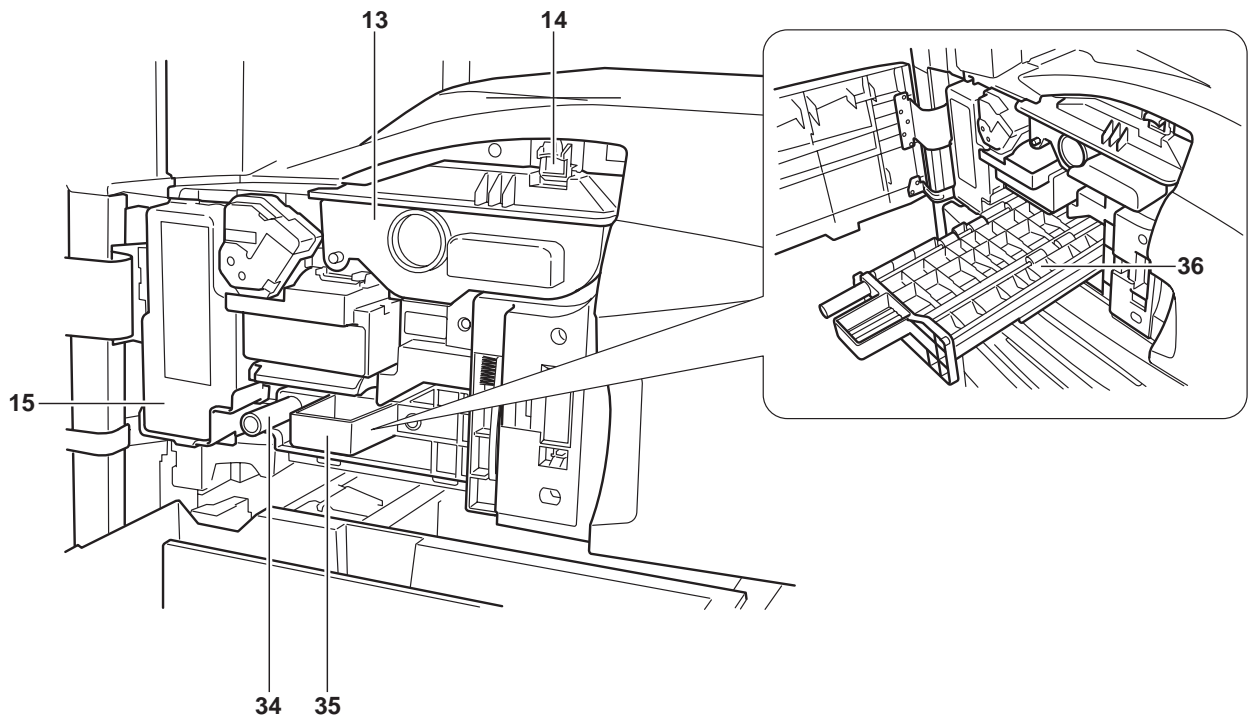
Ce chapitre identifie les différents composants de la machine et les touches du panneau de commande.

- Machine..... 1-2
- Panneau de commande 1-5
- Écran tactile..... 1-6

Machine

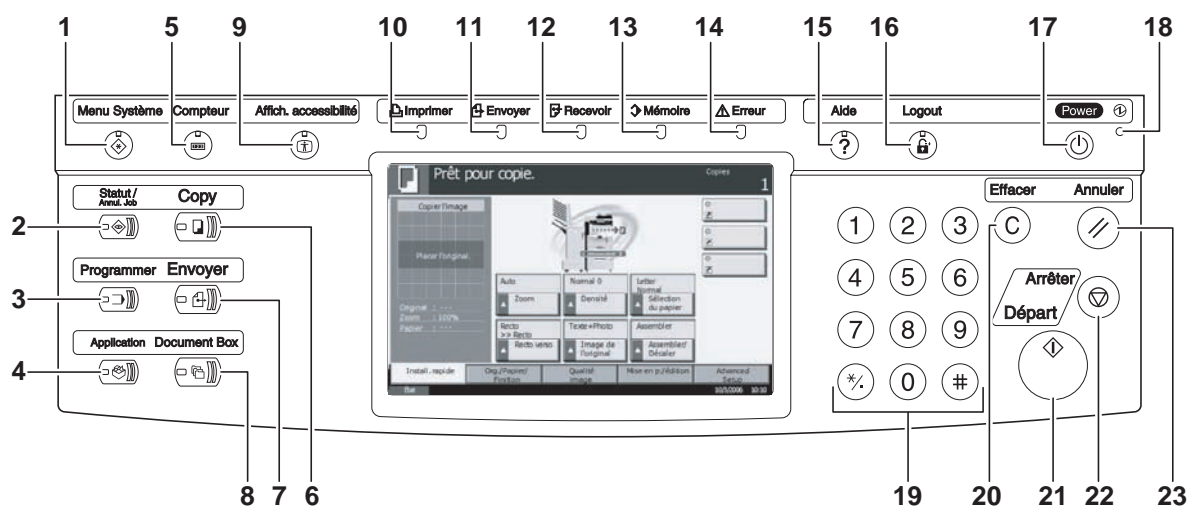


- 1** Capot des originaux (option)
- 2** Plaques d'indication du format de l'original
- 3** Porte trombones
- 4** Voyant de réception ... Clignote pendant la réception de données
- 5** Voyant d'erreur ... Clignote en cas d'erreur ou d'arrêt de la tâche
- 6** Capot gauche 1
- 7** Levier de capot gauche 1
- 8** Capot gauche 2
- 9** Glace d'exposition
- 10** Panneau de commande
- 11** Magasin 1
- 12** Magasin 2



- 13** Cartouche de toner
- 14** Butée de cartouche de toner
- 15** Bac de récupération de toner
- 16** Capot avant
- 17** Taquet de réglage de largeur papier
- 18** Plaque de réglage de la longueur
- 19** Plateau supérieur
- 20** Interrupteur d'alimentation
- 21** Guides de largeur papier
- 22** Bac MF (multifonction)
- 23** Couvercle de carte mémoire
- 24** Poignées
- 25** Logement mémoire USB (A2)
- 26** Logement mémoire USB (A3)
- 27** Logement carte mémoire
- 28** Connecteur d'interface réseau
- 29** Connecteur d'interface USB
- 30** Connecteur d'interface parallèle
- 31** Logement d'interface en option (OPT1)
- 32** Logement d'interface en option (OPT2)
- 33** Logement mémoire USB (A1)
- 34** Poignée verte (A1)
- 35** Unité d'alimentation papier (A2)
- 36** Capot de l'unité d'alimentation papier (A2)

Panneau de commande



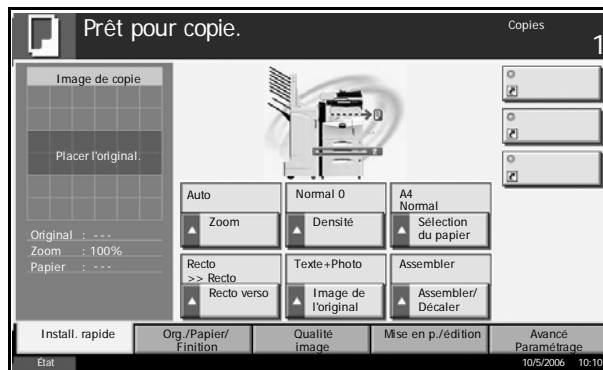
- 1 Touche/voyant **Menu Système**
- 2 Touche/voyant **Statut/Annul. Job**
- 3 Touche/voyant **Programmer**
- 4 Touche **Application**
- 5 Touche/voyant **Compteur**
- 6 Touche/voyant **Copy**
- 7 Touche/voyant **Envoyer**
- 8 Touche/voyant **Document Box**
- 9 Touche/voyant **Affich. accessibilité**
- 10 Voyant **Imprimer ...** Clignote pendant l'impression
- 11 Voyant **Envoyer ...** Clignote pendant la transmission de données
- 12 Voyant **Recevoir ...** Clignote pendant la réception de données
- 13 Voyant **Mémoire ...** Clignote lorsque la machine accède au disque dur, à la mémoire du fax, au Kit de sauvegarde de données (option) ou à la mémoire USB (application générale)
- 14 Voyant **Erreur ...** Clignote en cas d'erreur ou d'arrêt de la tâche
- 15 Touche/voyant **Aide**
- 16 Touche/voyant **Logout**
- 17 Touche **Power**
- 18 Voyant d'alimentation
- 19 Touches numériques
- 20 Touche **Effacer**
- 21 Touche/voyant **Départ**
- 22 Touche **Arrêter**
- 23 Touche **Annuler**

Écran tactile

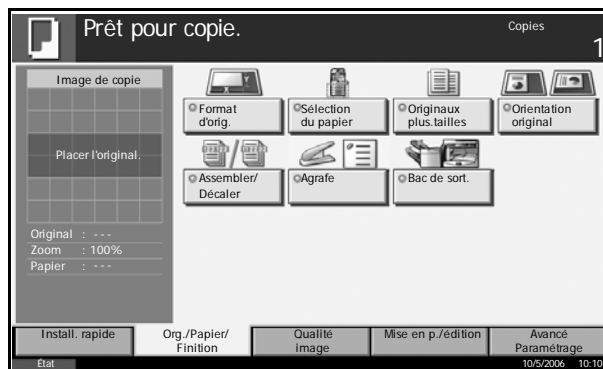
Écran Copier

Pour afficher cet écran, appuyer sur **Copy**.

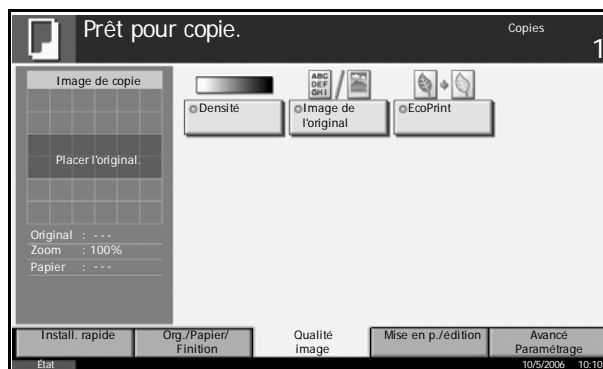
1 Écran [Install. rapide]



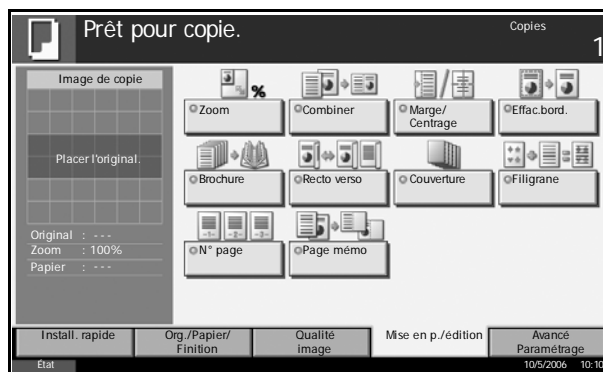
2 Écran [Org./Papier/Finition]



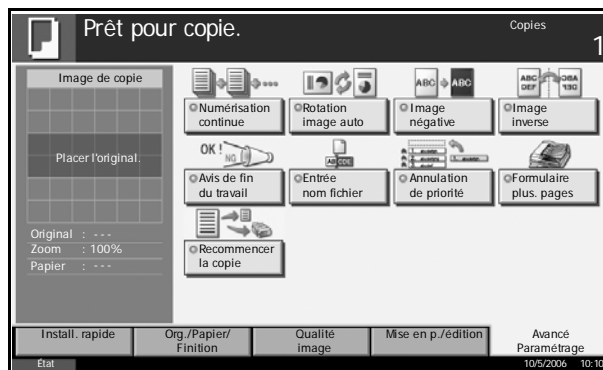
3 Écran [Qualité image]



4 Écran [Mise en p./ édition]



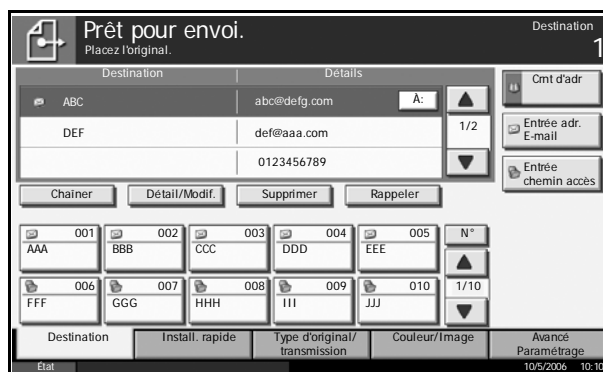
5 Écran [Avancé Paramétrage]



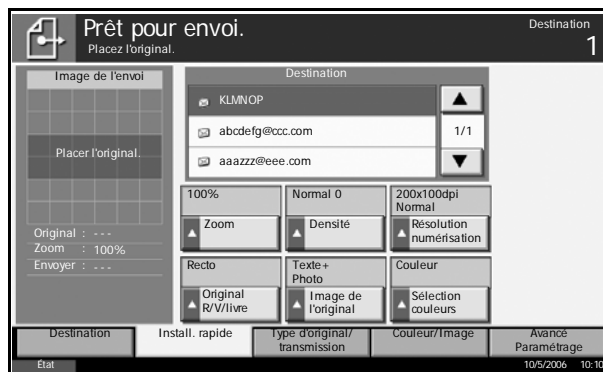
Écran Envoyer

Pour afficher cet écran, appuyer sur la touche **Envoyer**.

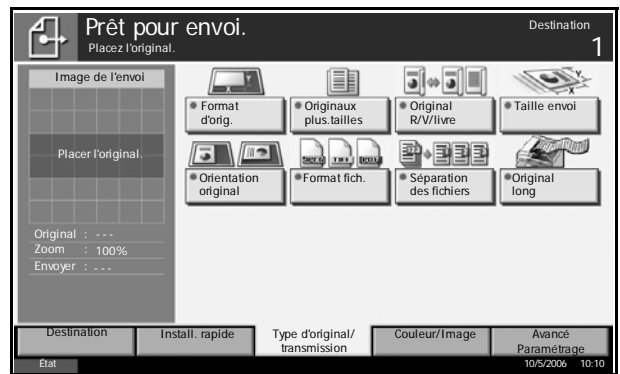
1 Écran [Destination]



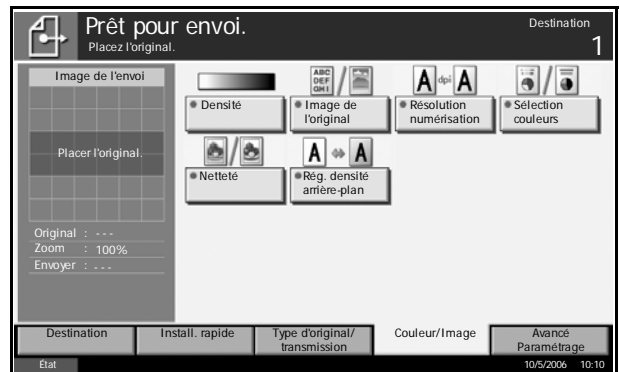
2 Écran [Install. rapide]



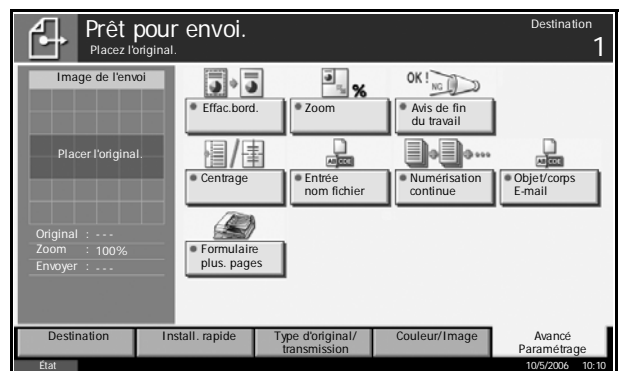
3 Écran [Type d'original/transmission]



4 Écran [Couleur/Image]



5 Écran [Avancé Paramétrage]



Écran Boîte de document

Pour afficher cet écran, appuyer sur la touche **Document Box**.

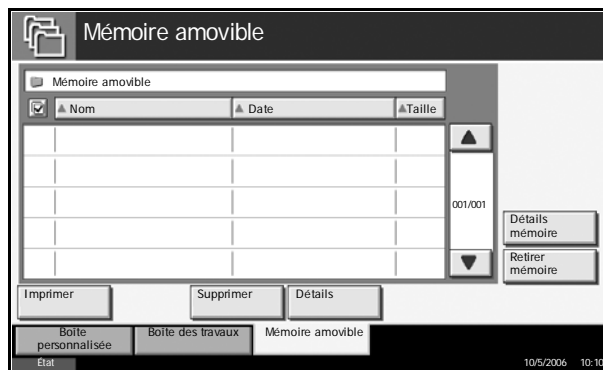
1 Écran [Boîte personnalisée]



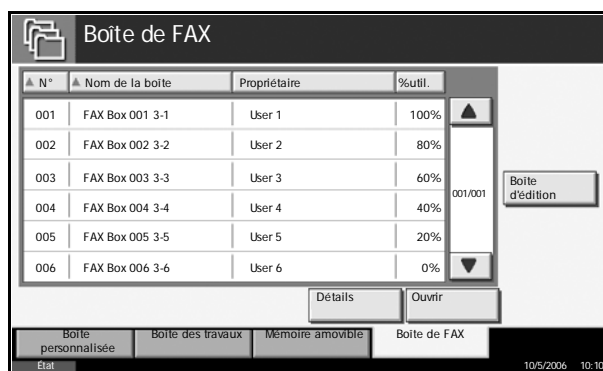
2 Écran [Boîte des travaux]



3 Écran [Mémoire amovible]



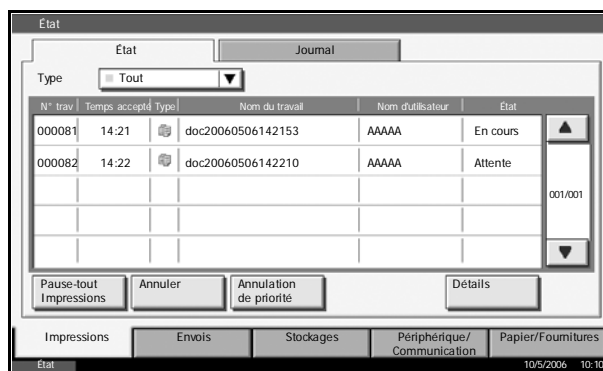
4 Écran [Boîte de FAX] (affiché uniquement lorsque le kit de FAX en option est installé)



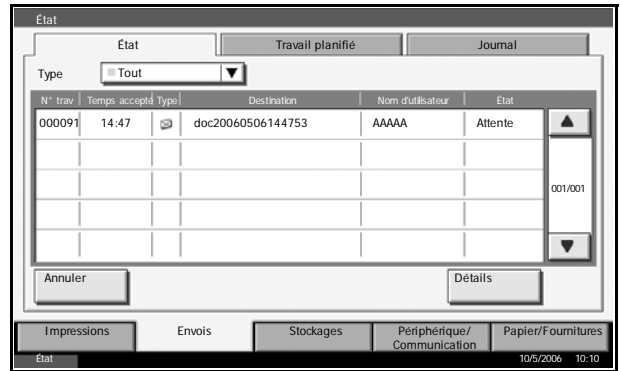
Écran État/Annulation des travaux

Pour afficher cet écran, appuyer sur la touche **Statut/Annul. Job**.

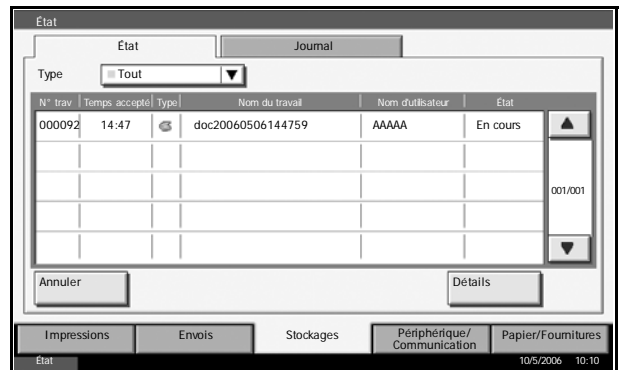
1 Écran [Impressions]



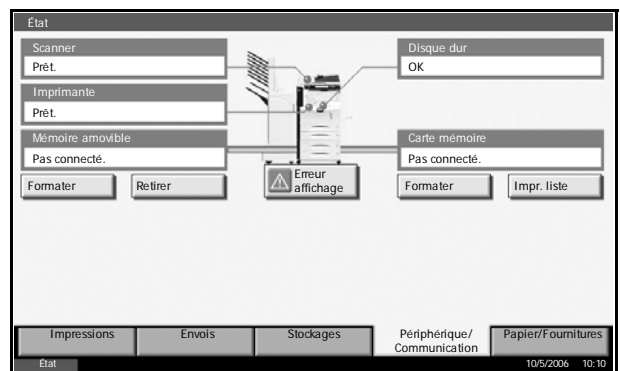
2 Écran [Envois]



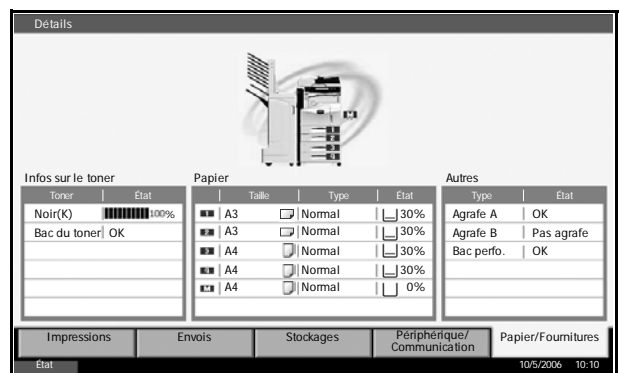
3 Écran [Stockages]



4 Écran [Périphérique/ Communication]



5 Écran [Papier/ Fournitures]



Écran Programme

Pour afficher cet écran, appuyer sur la touche **Programmer**.

1 Écran [Appeler]

The screenshot shows the 'Programme' screen with a dark header bar containing a right-pointing arrow and the word 'Programme'. Below the header is a grid of ten input fields arranged in two columns and five rows, labeled 01 through 10. To the right of the grid is a vertical scroll bar with an upward arrow at the top, the text '001/005' in the middle, and a downward arrow at the bottom. At the bottom of the screen, there are three buttons: 'Appeler', 'Enregistrer', and 'Modifier'. The 'Appeler' button is highlighted with a dark background. In the bottom left corner, the word 'Etat' is visible. In the bottom right corner, the date '10/5/2006' and the time '10:10' are displayed.

2 Écran [Enregistrer]

The screenshot shows the 'Programme' screen with a dark header bar containing a right-pointing arrow and the word 'Programme'. Below the header is a grid of ten input fields arranged in two columns and five rows, labeled 01 through 10. To the right of the grid is a vertical scroll bar with an upward arrow at the top, the text '001/005' in the middle, and a downward arrow at the bottom. At the bottom of the screen, there are three buttons: 'Appeler', 'Enregistrer', and 'Modifier'. The 'Enregistrer' button is highlighted with a dark background. In the bottom left corner, the word 'Etat' is visible. In the bottom right corner, the date '10/5/2006' and the time '10:10' are displayed.

3 Écran [Modifier]

The screenshot shows the 'Programme' screen with a dark header bar containing a right-pointing arrow and the word 'Programme'. Below the header is a grid of ten input fields arranged in two columns and five rows, labeled 01 through 10. To the right of the grid is a vertical scroll bar with an upward arrow at the top, the text '001/005' in the middle, and a downward arrow at the bottom. At the bottom of the screen, there are three buttons: 'Appeler', 'Enregistrer', and 'Modifier'. The 'Modifier' button is highlighted with a dark background. In the bottom left corner, the word 'Etat' is visible. In the bottom right corner, the date '10/5/2006' and the time '10:10' are displayed.

2 Préparation à l'utilisation

Ce chapitre décrit les préparatifs nécessaires avant l'utilisation de la machine, ainsi que les procédures de chargement du papier et des originaux.

- Choix de la méthode de connexion et préparation des câbles 2-3
- Raccordement des câbles..... 2-5
- Configuration de la date et de l'heure 2-8
- Configuration du réseau (raccordement via un câble LAN)..... 2-10
- Installation du logiciel 2-12
- Sélection de l'écran par défaut (en option)..... 2-13
- Choix de la langue (en option) 2-14
- Chargement du papier..... 2-15
- Chargement des originaux 2-25

Documents figurant sur le CD-ROM d'accompagnement

Les documents suivants figurent sur le CD-ROM d'accompagnement (Product Library). Se reporter au manuel approprié en fonction des besoins.

Documents

Extended Printer Driver User Guide

Network FAX Driver Operation Guide

COMMAND CENTER Operation Guide

KM-NET for Clients Operation Guide

KM-NET for Direct Printing Operation Guide

PRESCRIBE Commands Technical Reference

PRESCRIBE Commands Command Reference

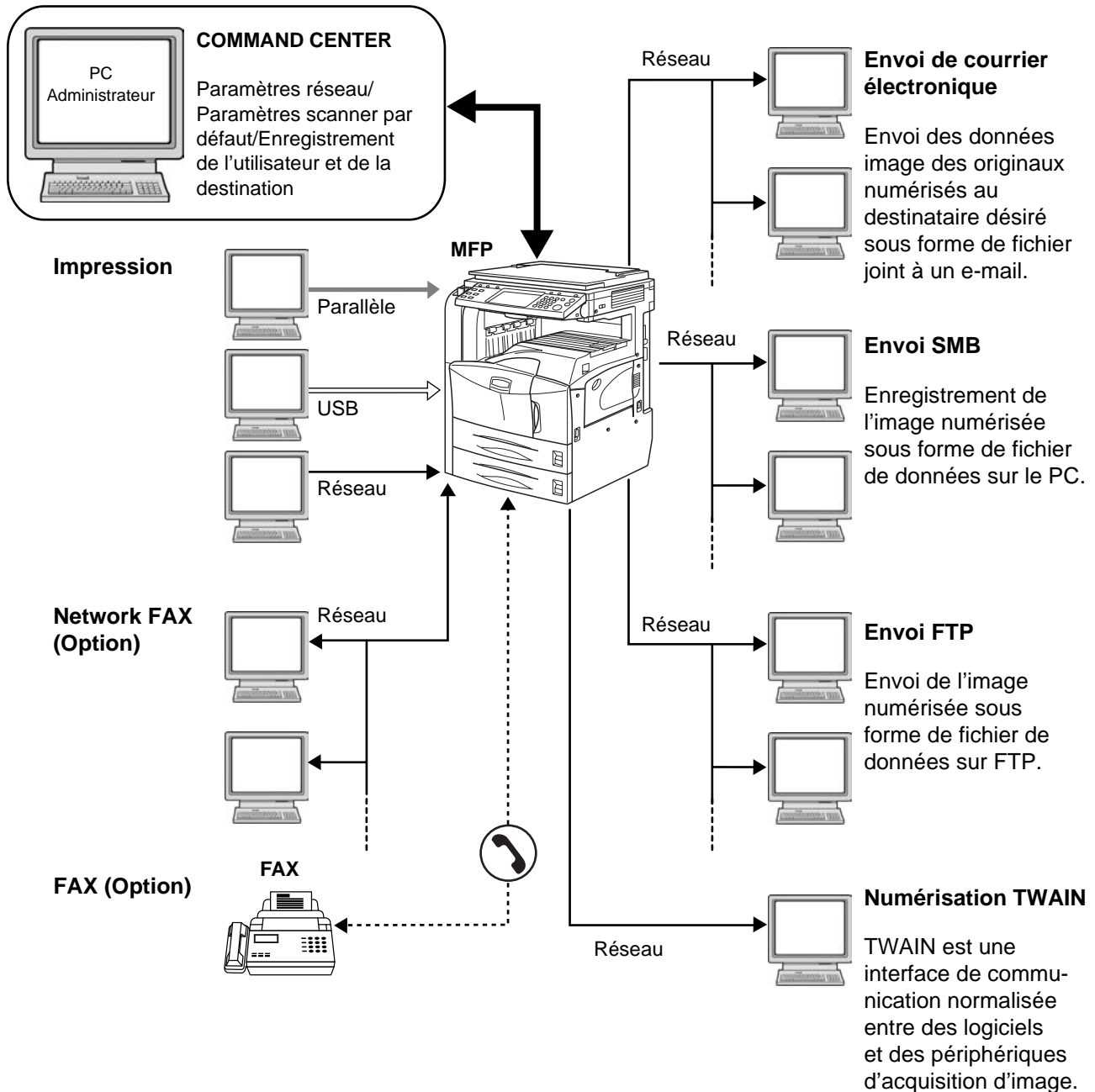
Choix de la méthode de connexion et préparation des câbles

Sélectionner le mode de connexion de l'équipement au PC ou au réseau, et préparer les câbles correspondants.

Exemple de connexion

Sélectionner le mode de connexion de l'équipement au PC ou au réseau, à l'aide de la figure suivante.

Raccordement du scanner au réseau PC via un câble réseau (100BASE-TX ou 10BASE-T)



Préparation des câbles nécessaires

Les interfaces suivantes permettent de raccorder l'équipement au PC. Préparer les câbles nécessaires en fonction de l'interface utilisée.

Interfaces disponibles en standard

Fonction	Interface	Câble requis
Imprimante/ Scanner/FAX réseau*	Interface réseau	LAN (10Base-T ou 100Base-TX, blindé)
Imprimante	Interface USB	Câble compatible USB2.0 (spécification Hi-Speed USB, 5 m max., blindé)
	Interface parallèle	Câble parallèle (spécification IEEE1284, 1,5 m max.)

* Fonction disponible si le kit de fax en option est installé. Pour plus de précisions concernant le FAX réseau, se reporter au *manuel d'utilisation du kit de fax*.

Interface en option

Une interface série est disponible en option.

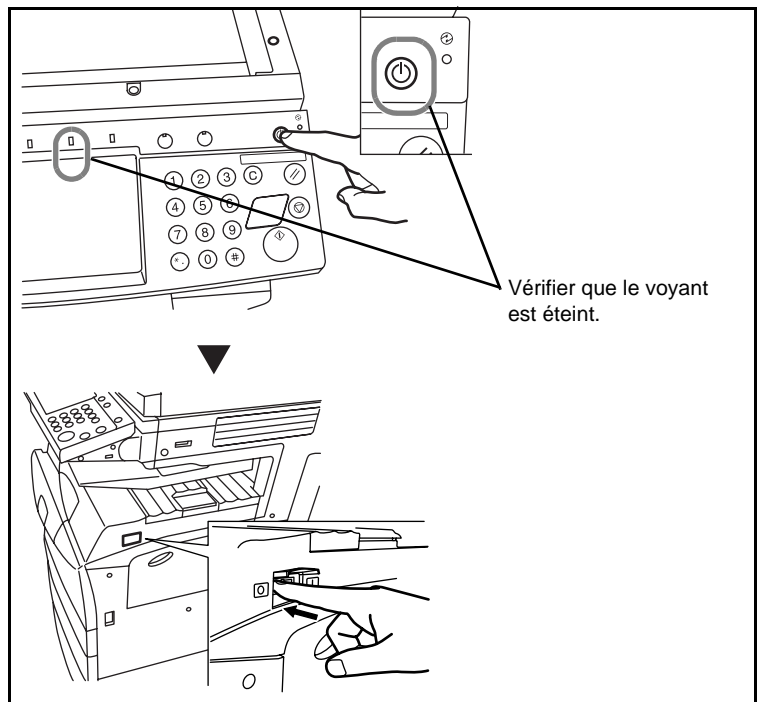
Fonction	Interface	Câble requis
Imprimante	Interface série	Câble RS-232C (15 m max.)

Raccordement des câbles

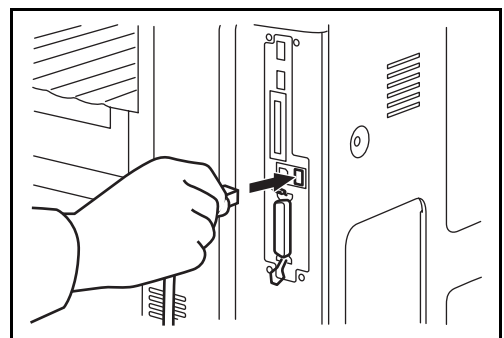
Raccordement du câble LAN (en option)

Procéder comme suit pour raccorder un câble LAN à la machine.

- 1 Lorsque la machine est sous tension, appuyer sur la touche **Power** du panneau de commande. Vérifier que le voyant **Power** et le voyant de mémoire sont éteints, puis mettre la machine hors tension.



- 2 Raccorder un câble LAN à l'interface réseau située sur le côté droit de la machine.

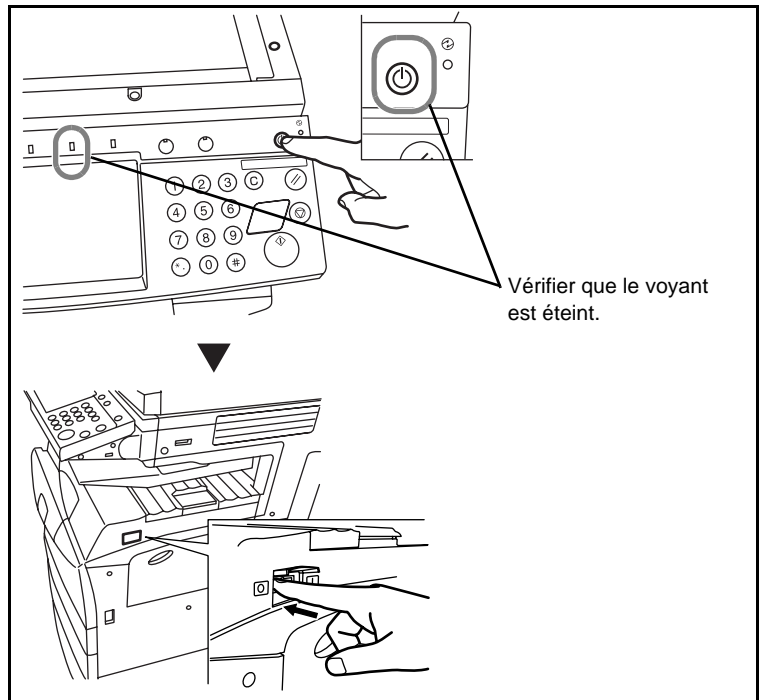


- 3 Raccorder l'autre extrémité du câble à l'interface HUB.
- 4 Configurer le réseau. Pour plus de détails, se reporter à la *Configuration du réseau (raccordement via un câble LAN)* à la page 2-10.

Raccordement du câble parallèle/USB (en option)

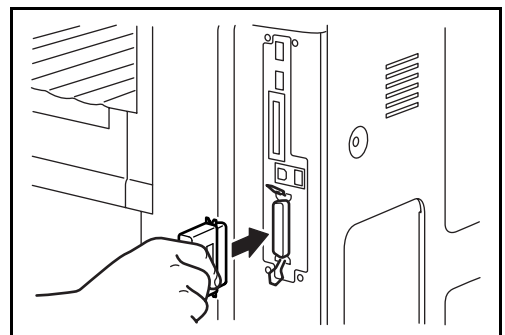
Procéder comme suit pour raccorder un câble d'interface imprimante parallèle ou USB à la machine.

- 1 Lorsque la machine est sous tension, appuyer sur la touche **Power** du panneau de commande. Vérifier que le voyant **Power** et le voyant de mémoire sont éteints, puis mettre la machine hors tension.

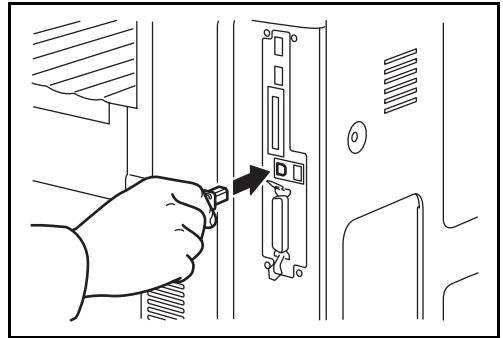


- 2 Si la connexion utilise un câble parallèle, le PC de raccordement doit également être mis hors tension.
- 3 Raccorder le câble d'imprimante à chaque interface située sur le côté droit de la machine.

Raccordement sur une interface parallèle



Raccordement sur une interface USB



- 4** Raccorder l'autre extrémité du câble au PC.

Raccordement du câble secteur

Raccorder une extrémité du câble secteur fourni à la machine et l'autre extrémité à une prise secteur.

IMPORTANT : Utiliser uniquement le câble secteur fourni avec la machine.

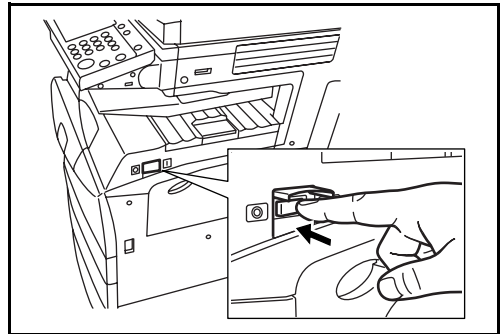
Configuration de la date et de l'heure

Procéder comme suit pour configurer la date et l'heure locales.

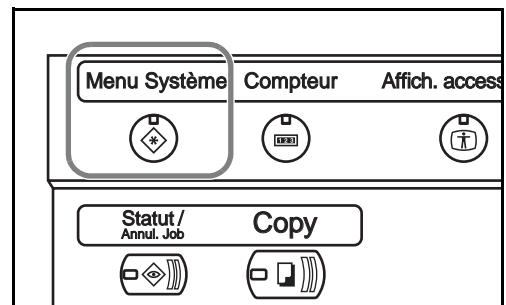
Lors de l'envoi de courrier électronique à l'aide de la fonction de transmission, la date et l'heure seront affichées dans l'en-tête de l'e-mail. Configurer la date, l'heure et le décalage horaire de la région d'utilisation par rapport à l'heure GMT.

REMARQUE : Ne pas oublier de configurer le décalage horaire avant de configurer la date et l'heure.

- 1** Mettre la machine sous tension.

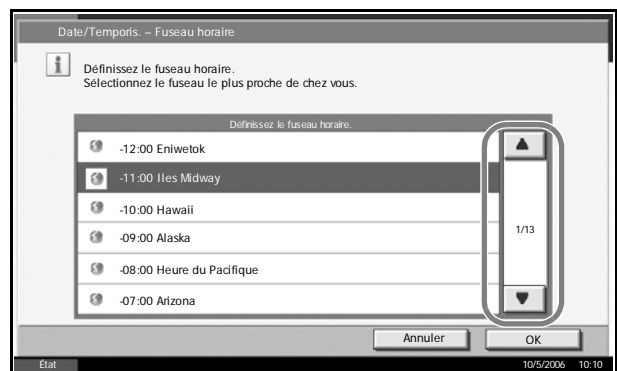


- 2** Appuyer sur la touche **Menu Système**.



- 3** Appuyer sur [▼], [Date/Temporis.] puis [Modifier] dans *Fuseau horaire*.

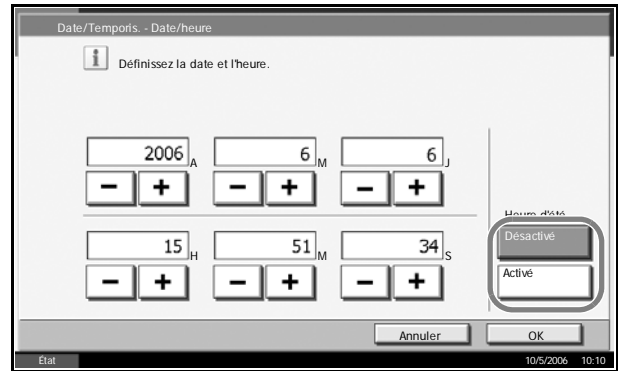
- 4** Sélectionner la région et appuyer sur [OK].



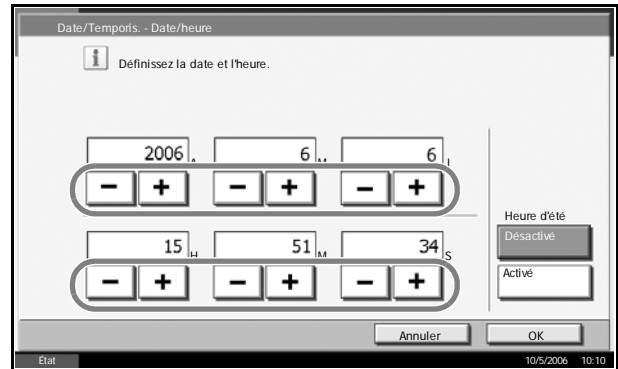
REMARQUE : Appuyer sur [▲] ou sur [▼] pour afficher la région suivante.

- 5** Appuyer sur [Modifier] dans *Date/heure*.

- 6** Appuyer sur [Désactivé] ou [Activé] dans *Heure d'été*.



- 7** Entrer la date et l'heure. Appuyer sur [+] ou [-] dans chaque paramètre.



REMARQUE : Les paramètres sont : Année (A), Mois (M), Jour (J), Heure (H), Minute (M) et Seconde (S).

- 8** Appuyer sur [OK].
- 9** Appuyer plusieurs fois sur la touche [Fermer] pour revenir à l'écran par défaut de Menu Système.

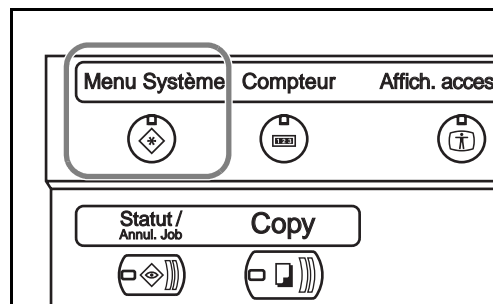
Configuration du réseau (raccordement via un câble LAN)

La machine comporte, en standard, une interface réseau qui prend en charge les protocoles TCP/IP, IPX/SPX, NetBEUI et AppleTalk pour permettre l'impression réseau sur les plates-formes Windows, Macintosh, UNIX et Netware, entre autres.

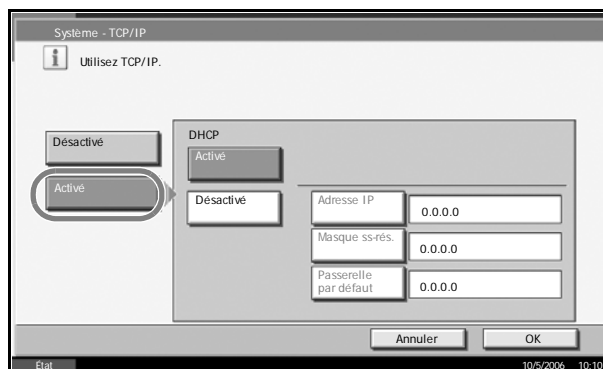
Configuration TCP/IP (avec adresse IP fixe)

Procéder comme suit pour configurer TCP/IP en cas d'utilisation d'une adresse IP fixe. Vérifier que cette adresse IP est disponible en demandant à l'administrateur réseau de se la procurer.

- 1 Appuyer sur la touche **Menu Système**.

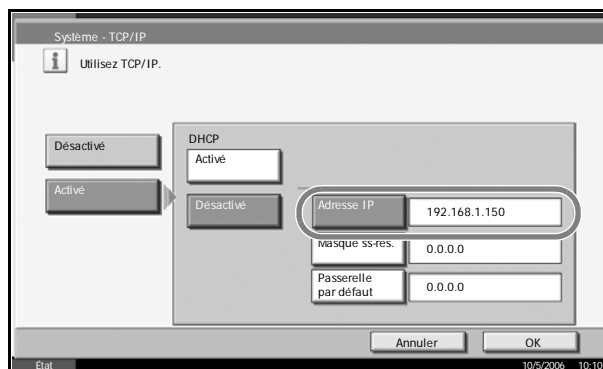


- 2 Appuyer sur [Système], [Modifier] dans *Réseau*, puis sur [Modifier] dans *TCP/IP*.
- 3 Appuyer sur [Activé] dans *TCP/IP*.



- 4 Appuyer sur [Désactivé] dans *DHCP*.

- 5 Appuyer sur [Adresse IP] et entrer l'adresse IP à l'aide des touches numériques.

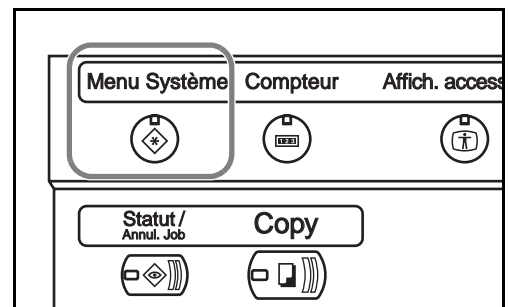


- 6 Appuyer sur [Masque ss-rés.] et entrer l'adresse à l'aide des touches numériques.
- 7 Appuyer sur [Passerelle par défaut] et entrer l'adresse à l'aide des touches numériques.
- 8 Vérifier que toutes les adresses saisies sont correctes et appuyer sur [OK].
- 9 Appuyer sur la touche **Power** et, après avoir vérifié que la touche/voyant **Power** et le voyant de mémoire sont éteints, mettre la machine hors tension puis de nouveau sous tension.

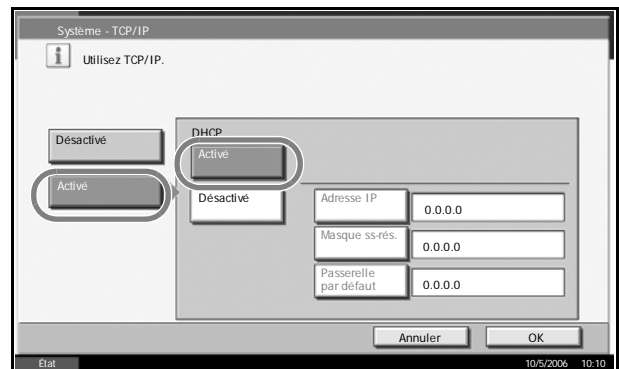
Configuration TCP/IP (avec adresse DHCP)

Procéder comme suit pour configurer TCP/IP en cas d'utilisation d'un serveur DHCP.

- 1 Appuyer sur la touche **Menu Système**.



- 2 Appuyer sur [Système], [Modifier] dans *Réseau*, puis sur [Modifier] dans *TCP/IP*.
- 3 Appuyer sur [Activé] dans *TCP/IP* et sur [Activé] dans *DHCP*.



- 4 Appuyer sur [OK].
- 5 Appuyer sur la touche **Power** et, après avoir vérifié que la touche/voyant **Power** et le voyant de mémoire sont éteints, mettre la machine hors tension puis de nouveau sous tension.

Installation du logiciel

Installer le logiciel approprié sur le PC à partir du CD-ROM Product Library fourni, pour utiliser la fonction imprimante de la machine ou pour effectuer des transmissions TWAIN ou des transmissions FAX à partir du PC.

REMARQUE : L'installation sur Windows XP, Windows NT 4.0/2000 et Server 2003 doit être effectuée par un utilisateur possédant les droits d'administrateur.

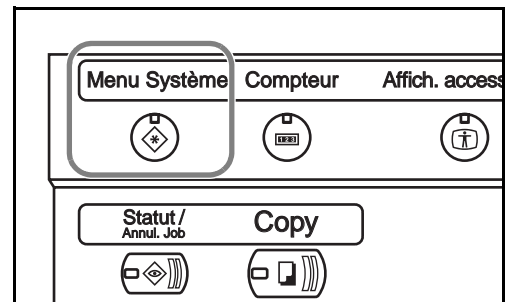
En mode Veille, la fonction Plug-and-Play est désactivée sur cet équipement. Avant de continuer, désactiver le mode Veille. Se reporter à la section *Veille et veille automatique* à la page 3-4.

Sélection de l'écran par défaut (en option)

Sélectionner l'écran par défaut (sur le panneau de commande) qui s'affichera à la suite de l'écran d'accueil lors de la mise sous tension. Il est possible de sélectionner l'un des écrans suivants.

Écran par défaut	Écran affiché immédiatement après la mise sous tension.
Copier	Écran par défaut de la fonction copie (écran affiché lors de l'appui sur la touche Copy)
Envoyer	Écran par défaut de la fonction envoi (écran affiché lors de l'appui sur la touche Envoyer)
État	Écran par défaut de la fonction état/annulation des travaux (écran affiché lors de l'appui sur la touche Statut/Annul. Job)
Boîte de document	Écran par défaut de la fonction boîte de document (écran affiché lors de l'appui sur la touche Document Box)
Programme	Écran par défaut de la fonction programme (écran affiché lors de l'appui sur la touche Programmer)

- 1 Appuyer sur la touche **Menu Système**.



- 2 Appuyer sur [Paramètres communs] puis sur [Modifier] dans *Écran par défaut*.
- 3 Sélectionner l'écran par défaut souhaité.

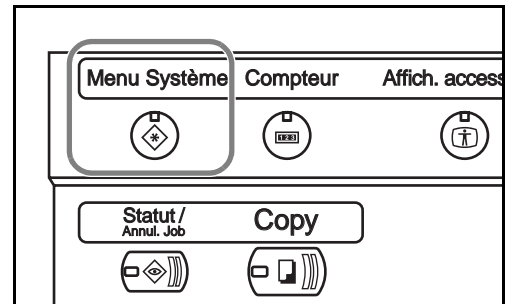


- 4 Appuyer sur [OK].
- 5 Appuyer plusieurs fois sur la touche [Fermer] pour revenir à l'écran *Menu Système*.

Choix de la langue (en option)

Procéder comme suit pour sélectionner la langue d'affichage de l'écran tactile.

- 1 Appuyer sur la touche **Menu Système**.



- 2 Appuyer sur [Paramètres communs] puis sur [Modifier] dans *Langue*.

- 3 Appuyer sur la touche correspondant à la langue souhaitée.



- 4 Un message demandant de mettre la machine hors tension puis sous tension s'affiche ; appuyer sur [OK].
- 5 Appuyer sur la touche **Power** sur le panneau de commande. Vérifier que le voyant **Power** et le voyant de mémoire sont éteints, puis remettre la machine sous tension.

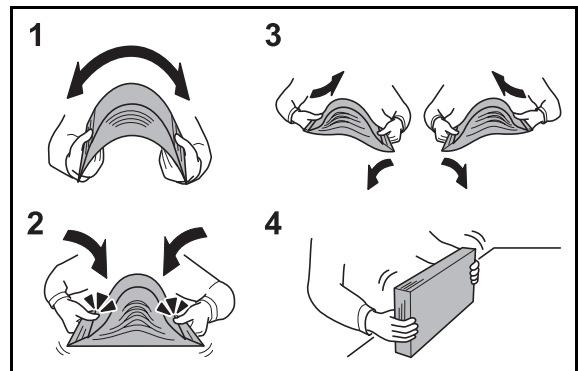
La langue de l'écran tactile est modifiée.

Chargement du papier

En standard, il est possible de charger le papier dans les deux magasins et dans le bac MF. Un chargeur de papier et un chargeur de papier latéral de 3 000 feuilles sont également disponibles en option (se reporter au *chapitre 4, Options*).

Avant de charger le papier

Lors de l'ouverture d'une ramette de papier neuve, déramer les feuilles afin de les séparer légèrement avant de les charger, comme indiqué ci-dessous.



- 1** Courber la pile de papier de sorte que le milieu de la pile soit dirigé vers le haut.
- 2** En tenant le papier par les bords, appuyer vers l'intérieur pour gonfler la pile.
- 3** Introduire de l'air dans la pile de papier en levant et en abaissant par alternance les mains gauche et droite.
- 4** Enfin, aligner les bords du papier en les tapotant sur une surface plane.

Si le papier est tuilé ou plié, le lisser avant de le charger. Un papier tuilé ou plié risque de provoquer des bourrages.

ATTENTION : En cas de réutilisation de papier ayant déjà servi à effectuer des copies, veiller à ce qu'il ne reste ni trombones ni agrafes. Ces derniers peuvent endommager la machine ou nuire à la qualité des copies.

REMARQUE : Si le papier de sortie s'enroule ou ne s'aligne pas correctement, retourner le papier chargé dans le magasin.

Éviter d'exposer une rame de papier ouverte à des températures ou à un taux d'humidité élevés ; cela pourrait provoquer des incidents. Après avoir chargé du papier dans le bac MF ou dans un magasin, ranger le reste du papier dans son emballage d'origine.

Si la machine n'est pas utilisée pendant une période prolongée, protéger le papier de l'humidité en le retirant des magasins et en le plaçant dans son emballage d'origine.

REMARQUE : En cas d'utilisation de papier spécial par exemple, papier à en-tête, papier perforé ou pré-imprimés tels que logo ou nom de société.

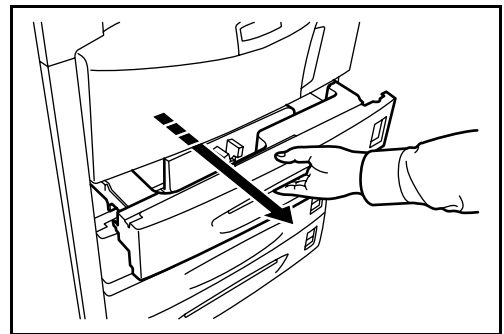
Chargement du papier dans les magasins

On peut charger 500 feuilles de papier normal (80 g/m²) ou de papier couleur dans chacun des deux magasins.

Les formats de papier suivants sont pris en charge : Ledger, Legal, Oficio II, 8,5×13,5", Letter, Letter-R, Statement-R, A3, B4, A4, A4-R, B5-R, A5-R, Folio, 8K, 16K et 16K-R.

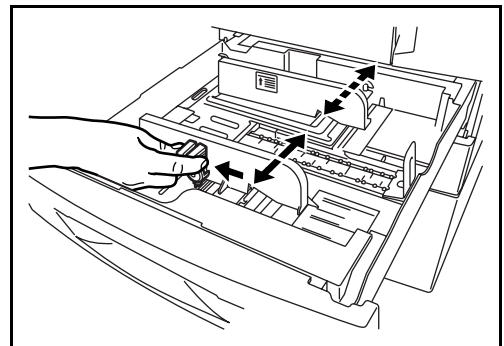
- 1 Tirer le magasin jusqu'à ce qu'il se bloque.

REMARQUE : Ne pas sortir plusieurs magasins en même temps.

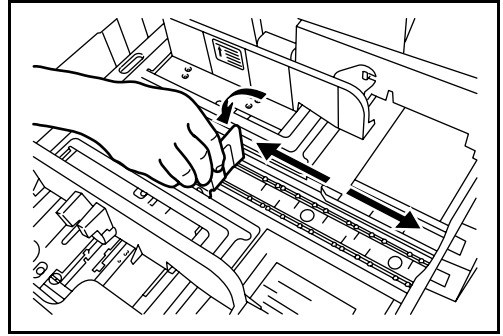


- 2 En maintenant le taquet de réglage de largeur papier, régler le guide de largeur en fonction du format du papier.

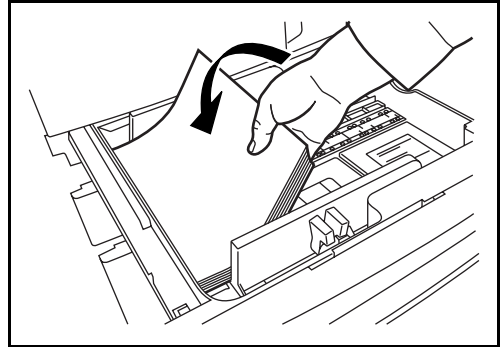
REMARQUE : Les formats de papiers sont indiqués sur le magasin.



- 3** À l'aide du taquet de réglage de longueur papier, régler la plaque en fonction du format du papier.

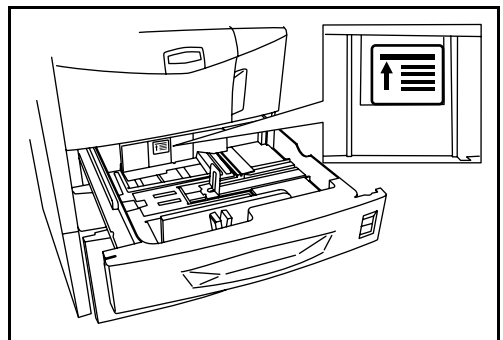


- 4** Aligner le papier contre le côté gauche du magasin.

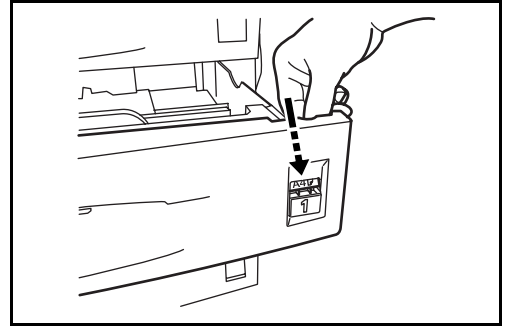


IMPORTANT :

- Avant de charger le papier, vérifier qu'il n'est ni tuilé ni plié. Un papier tuilé ou plié risque de provoquer des bourrages.
- Vérifier que le papier chargé ne dépasse pas le niveau indiqué (voir la figure ci-dessous).
- Lors du chargement du papier, positionner vers le haut le côté orienté vers la fermeture de la ramette.
- Régler les guides de longueur et de largeur papier en fonction du format du papier. Le chargement de papier sans régler ces guides risque de provoquer des faux départs et des bourrages papier.
- Vérifier que les guides de longueur et de largeur papier sont bien en appui sur le papier. En cas de jeu, régler les guides en fonction du papier.



- 5** Insérer la carte de format appropriée dans son logement afin d'indiquer le format du papier chargé.



- 6** Repousser le magasin dans la machine.

REMARQUE : Si la machine n'est pas utilisée pendant une période prolongée, protéger le papier de l'humidité en le retirant des magasins et en le plaçant dans son emballage d'origine.

- 7** Sélectionner le type de papier (ordinaire, recyclé, etc.) chargé dans le magasin. (Se reporter à la section *Sélection du type et du format de papier pour les magasins* à la page 2-21.)

Chargement du papier dans le bac MF

On peut charger 200 feuilles de papier normal (80 g/m²) dans le bac MF.

Le bac MF accepte les formats papier du A3 au Hagaki et du Ledger au Statement-R. Utiliser systématiquement le bac MF pour les impressions sur papier spécial.

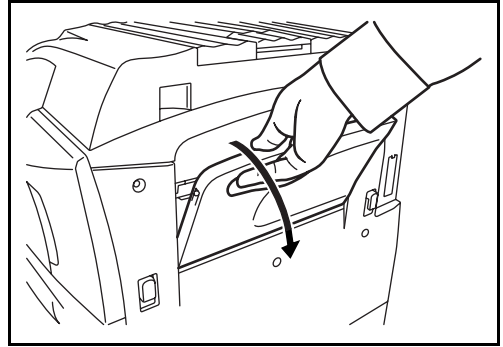
REMARQUE : La capacité du bac MF est la suivante.

- Papier épais (120 g/m²) : 130 feuilles
- Papier épais (160 g/m²), papier japonais noshi : 100 feuilles
- Papier épais (200 g/m²), papier rugueux (45 g/m²) : 50 feuilles
- Hagaki : 80 feuilles
- Transparents : 25 feuilles
- Enveloppe DL, Enveloppe C5, Comm. #10, Monarch, Youkei 4, Youkei 2 : 20 feuilles

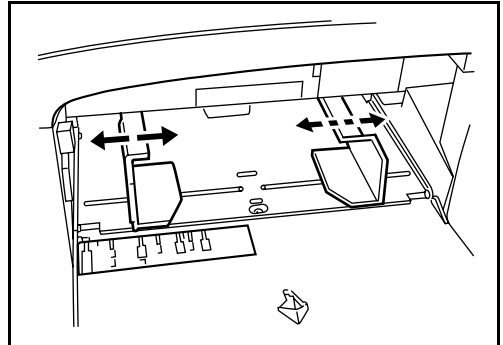
REMARQUE : Lors du chargement de formats personnalisés, entrer le format du papier conformément à la section *Sélection du type et du format de papier pour le bac MF* à la page 2-23.

Lors de l'utilisation de papier spécial, par exemple transparents ou papier épais, sélectionner le type de papier conformément à la section *Sélection du type et du format de papier pour le bac MF* à la page 2-23.

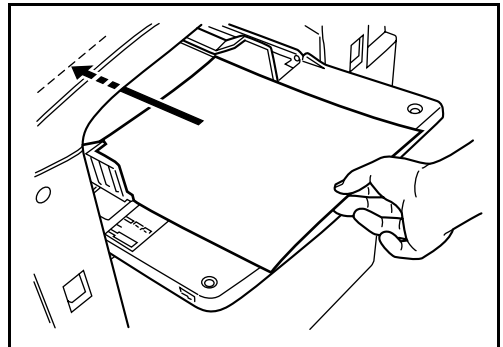
- 1** Ouvrir le bac MF.



- 2** Régler les guides de largeur papier en fonction de la largeur du papier.



- 3** Insérer le papier dans le bac le long des guides jusqu'à ce qu'il se bloque.



IMPORTANT : Positionner le papier face à imprimer vers le haut.
Le papier tuilé doit être lissé avant utilisation.
Lisser le bord supérieur s'il est tuilé.

Chargement d'enveloppes

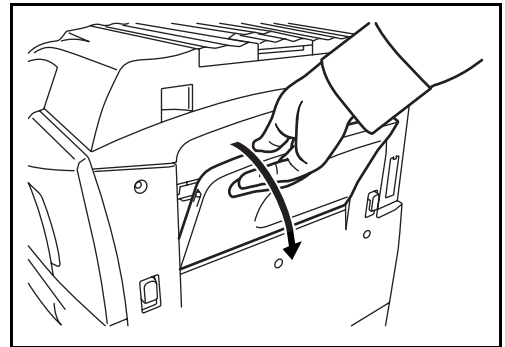
On peut charger 20 enveloppes dans le bac MF.

Les formats d'enveloppes acceptés sont les suivants.

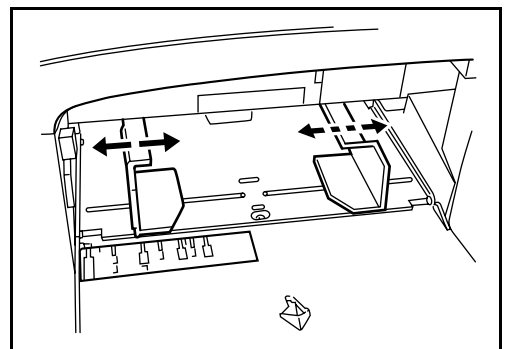
Enveloppe acceptée	Format
Monarch	3 1/8"x7 1/2"
Comm. #10	4 1/8"x9 1/2"
Enveloppe DL	110x220 (mm)

Enveloppe acceptée	Format
Enveloppe C5	162x229 (mm)
Executive	7 1/4"x10 1/2"
Comm. #9	3 7/8"x8 7/8"
Comm. #6-3/4	3 5/8"x6 1/2"
ISO B5	176x250 (mm)
Enveloppe C4	229x324 (mm)
Oufuku Hagaki	200x148 (mm)
Enveloppe Youkei 2 Haguruma <i>Swiss-You 2 sans impression des bords WE-S2</i>	162x114 (mm)
Youkei 4 <i>LIFE E506B (sans impression des bords)</i>	234x105 (mm)

- 1** Ouvrir le bac MF.

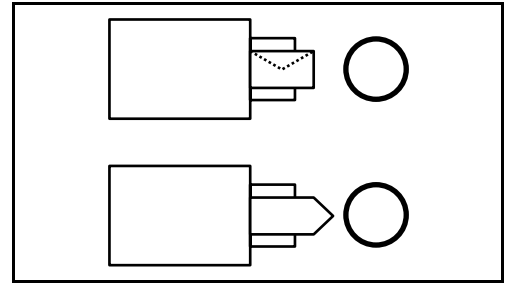


- 2** Régler les guides de largeur papier en fonction de la largeur de l'enveloppe.



- 3** Dans le cas d'une enveloppe en orientation paysage, fermer le rabat. Insérer l'enveloppe à fond le long des guides de largeur, face à imprimer vers le haut et rabat vers l'arrière.

Dans le cas d'une enveloppe en orientation portrait, ouvrir le rabat. Insérer l'enveloppe à fond le long des guides de largeur, face à imprimer vers le haut et rabat du côté opposé à l'entrée.



IMPORTANT : Le mode de chargement des enveloppes (orientation et face à imprimer) dépend du type d'enveloppe. Vérifier le sens du chargement car toute erreur risque d'entraîner une impression dans le mauvais sens ou sur le mauvais côté.

REMARQUE : Lors de chargement d'enveloppes dans le bac MF, sélectionner le type d'enveloppe conformément à la section *Sélection du type et du format de papier pour le bac MF* à la page 2-23.

Sélection du type et du format de papier

Sélection du type et du format de papier pour les magasins

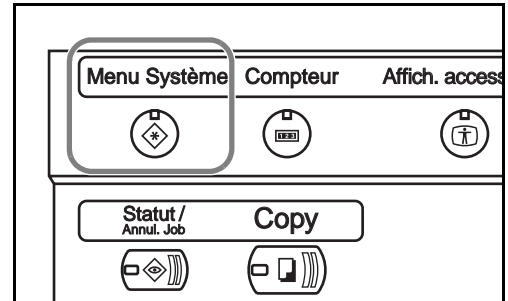
En cas d'utilisation des magasins 1 ou 2, ou du chargeur latéral en option (magasins 3 et 4), sélectionner le type et le format de papier à charger.

Lors de l'utilisation du chargeur de papier en option (magasin 3) d'une capacité de 3 000 feuilles, sélectionner uniquement le type de papier.

Sélection		Format/type possible
Format de papier	Auto	Le format du papier est détecté et sélectionné automatiquement. Sélectionner un format papier <i>Métrique</i> ou <i>Pouces</i> .
	Format standard 1	Sélectionner l'un des formats standard. Les formats papier acceptés sont les suivants. Format en pouces : Ledger, Letter-R, Letter, Legal, Statement-R, 8,5×13,5" et Oficio II Format métrique : A3, B4, A4, A4-R, B5, B5-R, A5-R et Folio
	Format standard 2	Sélectionner l'un des formats standard n'appartenant pas au Format standard 1. Les formats papier acceptés sont les suivants. Format en pouces : A3, B4, A4, A4-R, B5, B5-R, A5-R et Folio, 8K, 16K-R et 16K Format métrique : Ledger, Letter-R, Letter, Legal, Statement-R, 8,5×13,5" et Oficio II, 8K, 16K-R et 16K

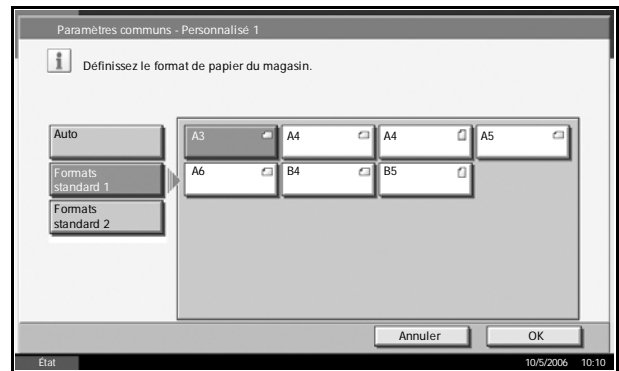
Sélection	Format/type possible
Type de papier	Normal, Rugueux, Vélin, Recyclé, Préimprimé, Relié, Couleur, Perforé, En-tête, Hte qual. et Perso 1~8

- 1 Appuyer sur la touche **Menu Système.**



- 2 Appuyer sur [Paramètres communs], [Modifier] dans *Config. Original/Papier*, sur [Modifier] dans *Configuration du magasin*, sur [Modifier] dans la source de papier requise, puis sur [Modifier] dans *Format du papier*.

- 3 Pour une détection automatique du format du papier, appuyer sur [Auto] et sélectionner [Métrique] ou [Pouces] pour l'unité.



Pour sélectionner le format du papier, appuyer sur [Formats standard 1] ou [Formats standard 2] et sélectionner le format du papier.

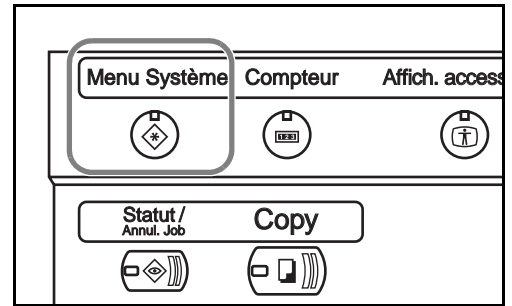
- 4 Appuyer sur [OK].
- 5 Appuyer sur [Modifier] dans *Config. type de support* et sélectionner le type de papier. Appuyer sur [OK].

Sélection du type et du format de papier pour le bac MF

Sélectionner le format et le type de papier lors de l'utilisation du bac MF. Il est possible de présélectionner les formats et les types de papier utilisés régulièrement.

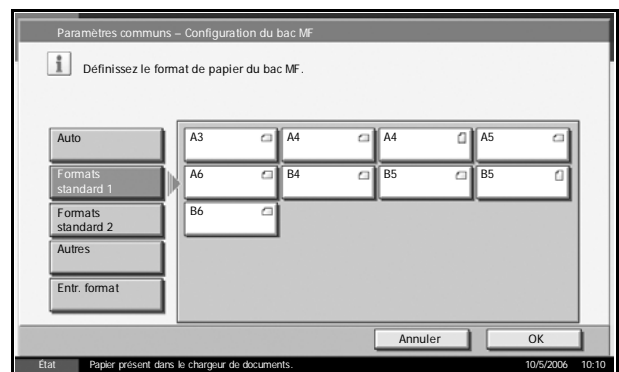
Élément		Description
Format de papier	Auto	Le format du papier est détecté et sélectionné automatiquement. Sélectionner un format papier <i>Métrique</i> ou <i>Pouces</i> .
	Format standard 1	Sélectionner l'un des formats standard. Les formats papier acceptés sont les suivants. Format en pouces : Ledger, Letter-R, Letter, Legal, Statement-R, Executive, 8,5×13,5" et Oficio II Format métrique : A3, A4-R, A4, A5-R, A6-R B4-R, B5-R, B5, B6-R et Folio
	Format standard 2	Sélectionner l'un des formats standard n'appartenant pas au Format standard 1. Les formats papier acceptés sont les suivants. Format métrique : A3, A4-R, A4, A5-R, A6-R B4-R, B5-R, B5, B6-R et Folio, 8K, 16K-R et 16K Format métrique : Ledger, Letter-R, Letter, Legal, Statement-R, Executive, 8,5×13,5" et Oficio II, 8K, 16K-R et 16K
	Autres	Sélectionner l'un des formats standard spéciaux et personnalisés. Les formats papier acceptés sont les suivants. ISO B5, Enveloppe #10, Enveloppe #9, Enveloppe #6, Enveloppe Monarch, Enveloppe DL, Enveloppe C5, Enveloppe C4, Hagaki, Oufuku Hagaki, Youkei 4, Youkei 2
	Entr. format	Entrer un format différent du format standard. Les formats papier acceptés sont les suivants. Format en pouces X (Horizontal) : 5,83~17" (par pas de 0,01"), Y (Vertical) : 3,86~11,69" (par pas de 0,01") Format métrique X (Horizontal) : 148~432 mm (par pas de 1 mm), X (Horizontal) : 98~297 mm (par pas de 1 mm)
Type de papier		Les types de papier acceptés sont les suivants : Normal, Transparent, Rugueux, Vélin, Étiquettes, En-tête, Recyclé, Préimprimé, Relié, Carte, Couleur, Perforé, Enveloppe, Épais, Hte qual. et Perso 1~8

- Appuyer sur la touche **Menu Système**.

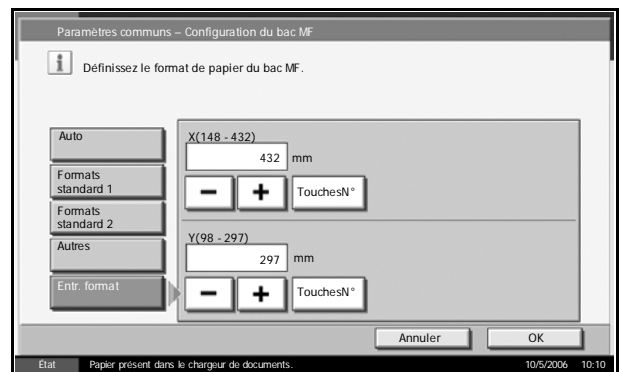


- Appuyer sur [Paramètres communs], [Modifier] dans *Config. Original/Papier*, sur [Modifier] dans *Configuration du bac MF*, puis sur [Modifier] dans *Format du papier*.
- Pour une détection automatique du format du papier, appuyer sur [Auto] et sélectionner [Métrique] ou [Pouces] pour l'unité.

Pour sélectionner le format du papier, appuyer sur [Formats standard 1], [Formats standard 2], [Autres] ou [Entr. format] et sélectionner le format du papier.



Si l'on sélectionne [Entr. format], appuyer sur [+] ou [-] pour entrer les formats X (horizontal) et Y (vertical). Il est possible d'appuyer sur [TouchesN°] pour entrer le format directement à l'aide des touches numériques.



- Appuyer sur [OK].
- Appuyer sur [Modifier] dans *Config. type de support* et sélectionner le type de papier. Appuyer sur [OK].

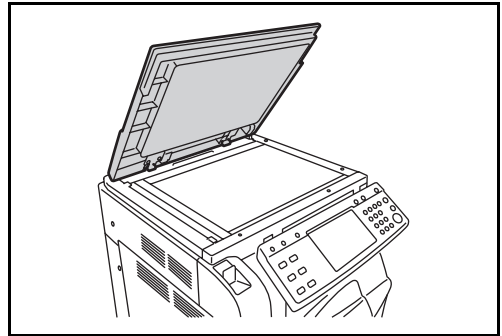
Chargement des originaux

Procéder comme suit pour charger les originaux à copier, à envoyer ou à mémoriser.

Mise en place des originaux sur la glace d'exposition

Outre des feuilles normales, il est possible de positionner des livres ou des magazines sur la glace d'exposition.

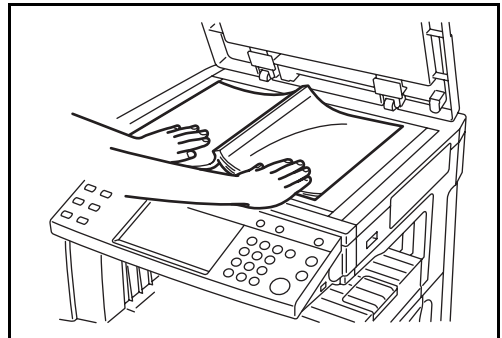
- 1 Ouvrir le capot des originaux.



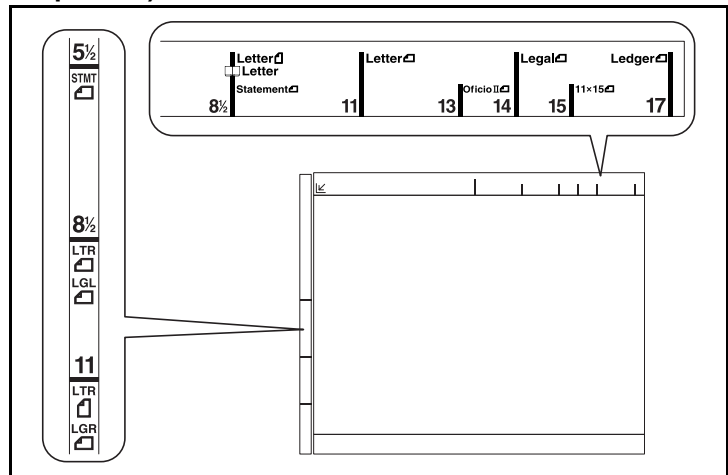
REMARQUE : Si le chargeur de document en option est installé, ouvrir le chargeur. Avant de l'ouvrir, vérifier qu'il ne reste aucun original dans le plateau des originaux ou sur la table d'éjection des originaux. Les originaux laissés dans le plateau des originaux ou sur la table d'éjection peuvent tomber de la machine lors de l'ouverture du chargeur de document.

Pour les originaux de plus de 40 mm d'épaisseur, laisser le chargeur de documents ouvert pendant la copie.

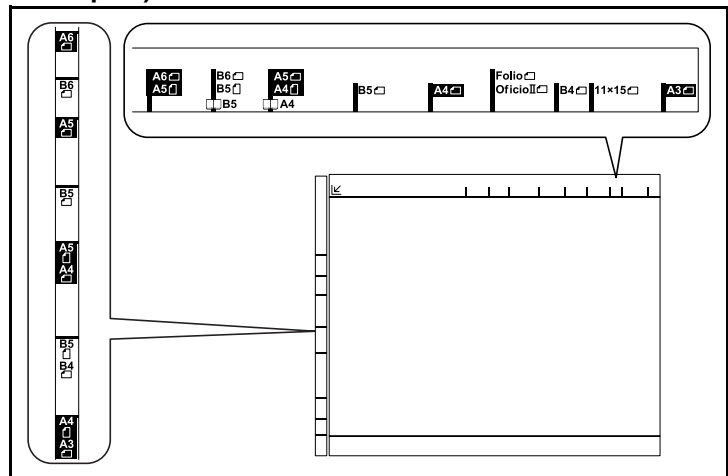
- 2 Mettre l'original en place.
Placer la face à numériser vers le bas et, en commençant à partir du coin arrière gauche, l'aligner par rapport aux plaques d'indication du format d'original.



◆ Plaques d'indication du format de l'original
(Modèles en pouces)




(Modèles métriques)



3 Fermer le capot des originaux.

ATTENTION : Ne pas forcer sur le capot des originaux lors de sa fermeture. Une pression excessive risquerait de briser la glace d'exposition.

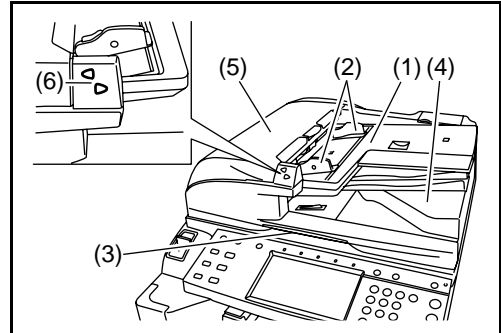
REMARQUE : Des ombres peuvent apparaître sur les contours et au centre des copies effectuées à partir d'originaux ouverts.

 **ATTENTION** : Afin d'éviter tout risque de blessure, ne pas laisser le chargeur de documents ouvert.

Chargement des originaux dans le chargeur de documents

Le chargeur de documents en option lit automatiquement les originaux de plusieurs pages, une page à la fois. Les deux faces des originaux recto verso sont lues.

Nomenclature du chargeur de documents



- (1) Plateau des originaux
- (2) Guides de largeur des originaux
- (3) Poignée d'ouverture
- (4) Table d'éjection des originaux
- (5) Capot supérieur
- (6) Voyant de mise en place des originaux

Originaux pris en charge par le chargeur de documents

Le chargeur de documents prend en charge les types d'originaux suivants.

Grammage	45 g/m ² à 160 g/m ²
Format	A3 maximum à A5-R minimum Ledger maximum à Statement-R minimum
Capacité	Papier ordinaire (80 g/m ²), papier haute qualité (50 g/m ²), papier couleur, papier recyclé : 100 feuilles (mélange de formats d'originaux : 30 feuilles) Papier épais (120 g/m ²) : 66 feuilles Papier épais (160 g/m ²) : 50 feuilles Papier surglacé, papier rugueux, papier couché : 1 feuille Papier haute qualité (110 g/m ²) : 73 feuilles

Originaux non pris en charge par le chargeur de documents

Le chargeur de documents ne prend pas en charge les types d'originaux suivants.

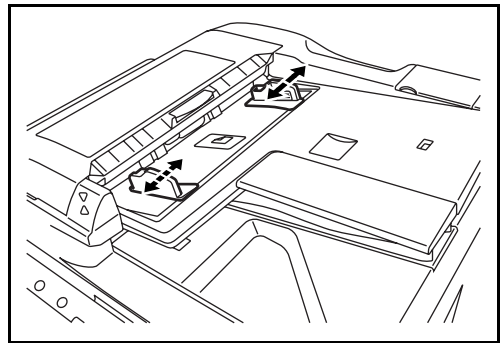
- Originaux fragiles tels que papier vinyle
- Films transparents tels que les transparents OHP
- Papier carbone
- Originaux dont les surfaces sont très lisses

- Originaux contenant du ruban adhésif ou de la colle
- Originaux mouillés
- Originaux comportant du correcteur qui n'a pas eu le temps de sécher
- Originaux de forme irrégulière (non rectangulaires)
- Originaux découpés
- Papier froissé
- Originaux pliés (lisser les plis avant le chargement, afin d'éviter tout risque de bourrage).
- Originaux comportant des trombones ou des agrafes (retirer les trombones ou les agrafes et lisser les plis éventuels avant le chargement, afin d'éviter tout risque de bourrage).

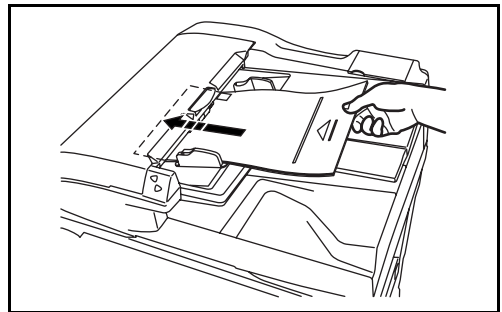
Comment charger les originaux

ATTENTION : Avant de charger des originaux, vérifier qu'il n'y a aucun original dans la table d'éjection des originaux. Si des originaux sont laissés sur la table d'éjection, des bourrages risquent de se produire lors du chargement d'autres originaux.

- 1** Régler les guides de largeur papier en fonction des originaux.



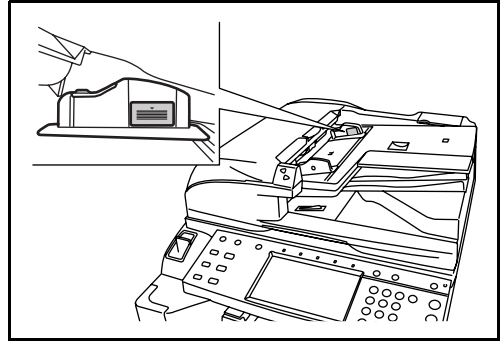
- 2** Mettre en place les originaux. Placer la face à numériser vers le haut (le recto pour les originaux recto verso). Pousser le bord avant de l'original à fond dans le chargeur de documents. Le voyant de mise en place des originaux doit s'allumer.



ATTENTION : Vérifier que les guides de largeur de l'original sont en contact avec l'original. S'ils sont trop écartés, les rapprocher de l'original afin d'éviter tout risque de bourrage.

Vérifier que les originaux ne dépassent pas le niveau indiqué. S'ils dépassent le niveau maximum, ils risquent de provoquer un bourrage (voir la figure ci-dessous).

Les originaux perforés ou comportant des traits de prédécoupage doivent être chargés de manière à ce que les perforations ou les pointillés de coupe soient lus en dernier (pas en premier).



3 Utilisation de base

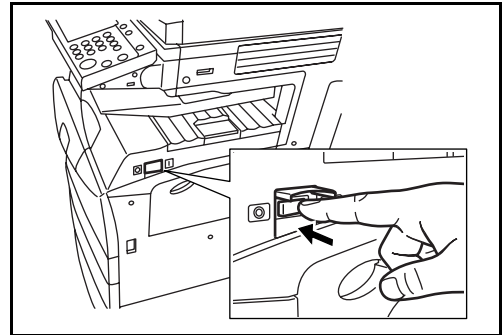
Ce chapitre aborde les opérations suivantes :

- Mise sous tension et hors tension 3-2
- Veille et veille automatique..... 3-4
- Réglage de l'inclinaison du panneau de commande.... 3-5
- Écran tactile..... 3-6
- Copie 3-7
- Impression – Impression à partir d'une application 3-18
- Envoi 3-19
- Spécification de la destination 3-33
- Utilisation de la Boîte de document..... 3-36
- Impression de documents stockés en mémoire USB
amovible..... 3-47
- Annulation/Visualisation/Modification d'un travail..... 3-49
- Vérification du niveau de toner et de papier 3-53
- Écran Installation rapide..... 3-54

Mise sous tension et hors tension

Mise sous tension

Ouvrir le cache de l'interrupteur principal et mettre l'interrupteur sur Marche.



Allumage clignotant/fixe des touches/voyants

Lors de la mise sous tension, la touche/le voyant **Copy** ou **Envoyer** clignote.

Clignotant : fonction en cours de préparation. Lorsque la machine est prête, le voyant correspondant s'éteint.

Éteint : fonction prête.

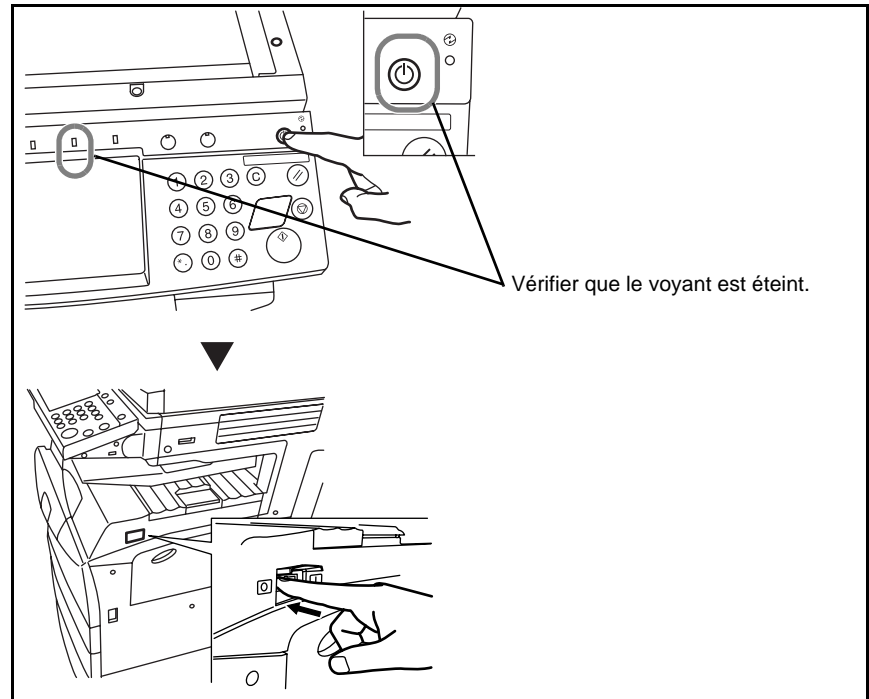
Allumé fixe : fonction sélectionnée. La fonction [Copie] est sélectionnée par défaut et par conséquent, la touche/voyant **Copy** s'allume en premier.

REMARQUE : Les touches dont le voyant est éteint sont utilisables même si une autre touche clignote.

Mise hors tension

Pour mettre la machine hors tension, mettre la touche **Power** du panneau de commande sur Arrêt. Vérifier que le voyant **Power** et le voyant de mémoire sont éteints avant de mettre la machine hors tension.

ATTENTION : Le fait de mettre la machine hors tension sans mettre la touche **Power** du panneau de commande sur Arrêt risque d'endommager le disque dur.



Si la machine n'est pas utilisée pendant un certain temps



ATTENTION : Si la machine n'est pas utilisée pendant plusieurs heures (la nuit, etc.), mettre l'interrupteur principal sur Arrêt. Si elle n'est pas utilisée durant un certain temps (vacances, etc.), débrancher la machine de la prise secteur par sécurité.

ATTENTION : Ne pas mettre la machine hors tension lorsque le kit de fax en option est installé. La mise hors tension empêche la réception automatique des fax.

Veille et veille automatique

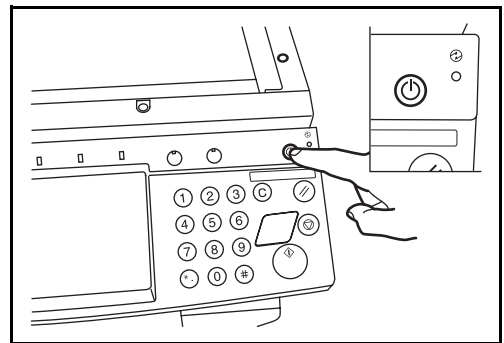
Veille

Pour passer en mode Veille, appuyer sur la touche **Power**. Tous les voyants de l'écran tactile, à l'exception du voyant d'alimentation principal, s'éteignent afin d'économiser l'énergie. La machine est en mode Veille.

En cas de réception de données d'impression en mode Veille, l'impression est effectuée mais l'écran tactile reste éteint.

En cas d'utilisation du kit de fax en option, les fax reçus sont également imprimés mais le panneau de commande reste éteint.

Pour quitter le mode Veille, appuyer sur la touche **Power**. La machine est prête à fonctionner au bout de 15 secondes.

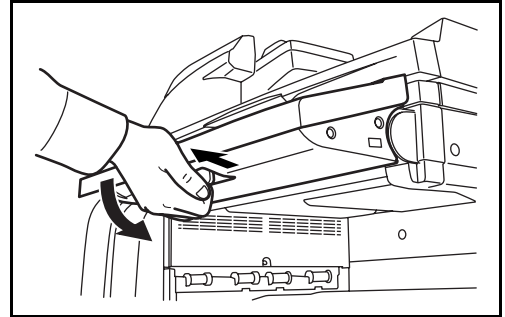


Veille automatique

En mode veille automatique, la machine passe automatiquement en mode Veille si elle reste inactive pendant une durée prédéfinie. Le délai par défaut est de 45 minutes pour les modèles 30 ppm et 40 ppm et de 90 minutes pour le modèle 50 ppm.

Réglage de l'inclinaison du panneau de commande

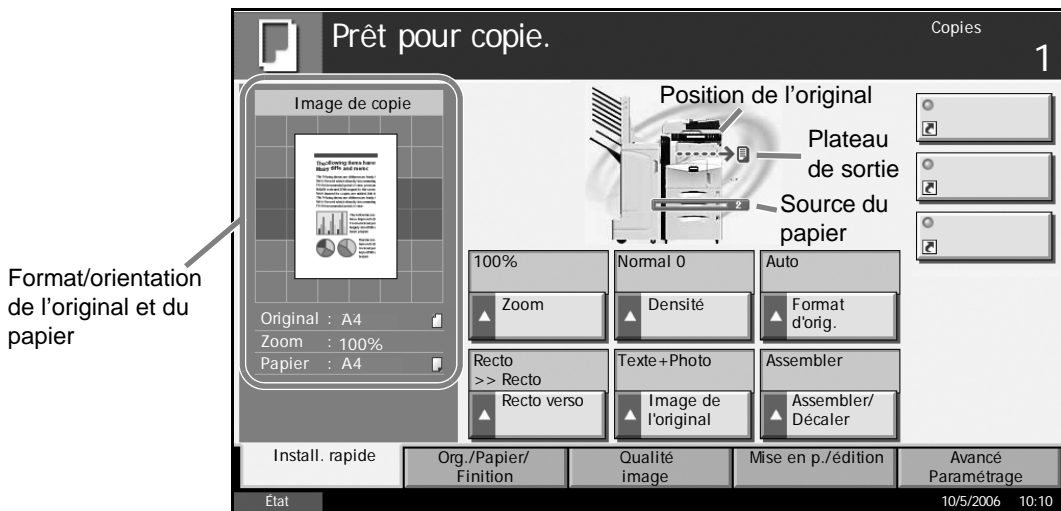
Le réglage de l'inclinaison du panneau de commande se fait en deux étapes après déverrouillage du levier de verrouillage.



Écran tactile

Affichage des originaux et du papier

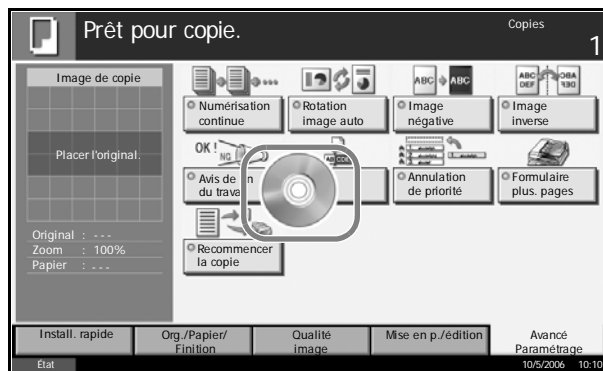
L'écran tactile affiche la source de papier sélectionnée et le réceptacle de sortie.



Affichage lors d'un changement d'écran

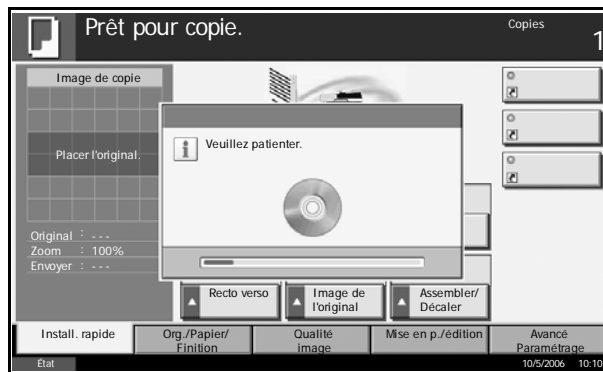
Une fenêtre d'attente (icône) peut s'afficher lors d'un changement sur l'écran tactile.

Fenêtre d'attente normale



Fenêtre d'attente à la fin d'une opération dans le menu Système

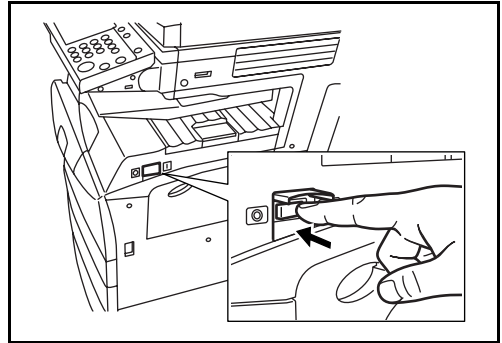
Lorsque l'opération effectuée depuis menu Système est terminée et qu'une autre fonction (par exemple copie) est activée, l'affichage est le suivant.



Copie

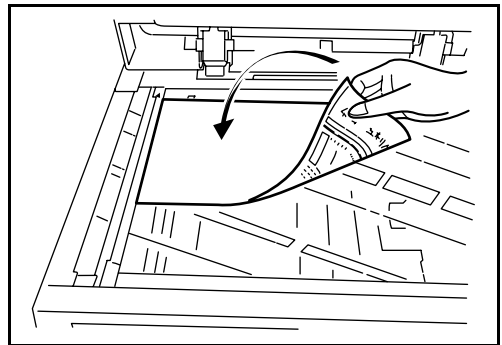
Procéder comme suit pour effectuer des copies.

- 1** Appuyer sur la touche **Copy** lorsque la touche/voyant **Copier** est éteinte.



REMARQUE : Si l'original est mis en place et que la touche **Départ** est activée avant la fin du préchauffage, seule la lecture est effectuée et la copie n'est effectuée qu'à la fin du préchauffage.

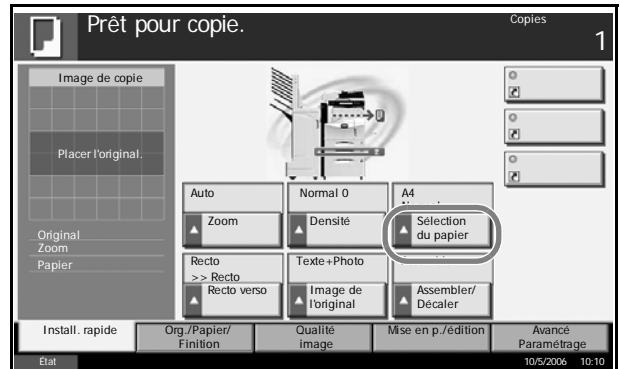
- 2** Placer les originaux sur la glace d'exposition ou dans le chargeur de documents en option.



REMARQUE : Pour plus d'informations sur le chargement, se reporter à la section *Chargement des originaux* à la page 2-25.

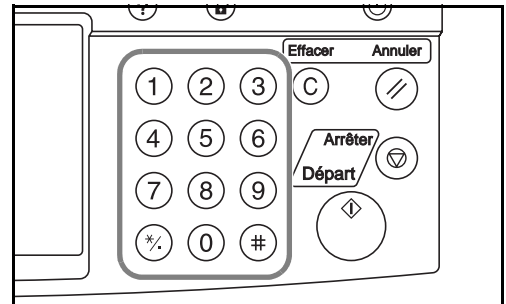
- 3 Vérifier que l'option [Auto] est sélectionnée dans *Sélection du papier* sur l'écran tactile. Le papier correspondant au format de l'original est sélectionné automatiquement.

Pour modifier le format du papier, appuyer sur [Sélection du papier] et sélectionner la source de papier souhaitée.

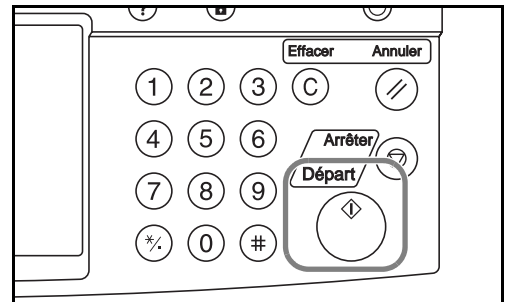


REMARQUE : Le cas échéant, il est possible de sélectionner le format du papier manuellement.

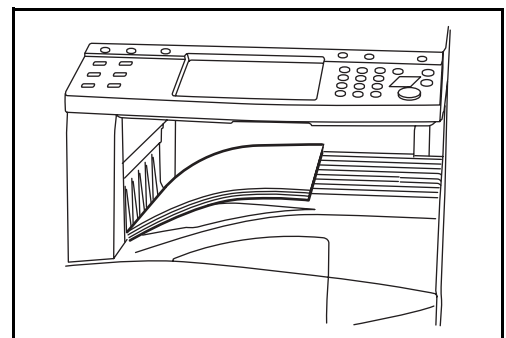
- 4 Entrer le nombre de copies à l'aide des touches numériques. Le nombre maximum est de 999.



- 5 Appuyer sur la touche **Départ** pour lancer la copie.



- 6 Une fois les copies terminées, les retirer du plateau supérieur.

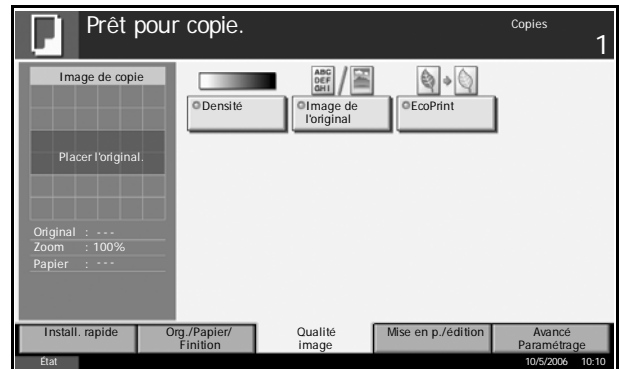


Réglage de la densité

Cette fonction permet de régler la densité de la copie.

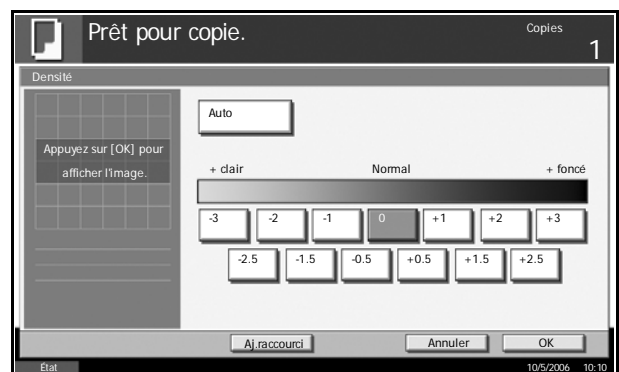
Option de réglage de la densité	Description
Manuel	Réglage de la densité à l'aide de 7 ou 13 niveaux.
Auto	Sélection de la densité optimale en fonction de la densité de l'original.

- 1 Appuyer sur [Qualité image], puis sur [Densité].



- 2 Pour régler la densité manuellement, appuyer sur [-3] (+ clair) ou sur [+3] (+ foncé). Il est possible de modifier le niveau de la densité entre [-3] (+ clair) et [+3] (+ foncé) par demi valeurs.

Pour passer du réglage de densité [Manuel] au réglage [Auto], appuyer sur [Auto].



- 3 Appuyer sur [OK].

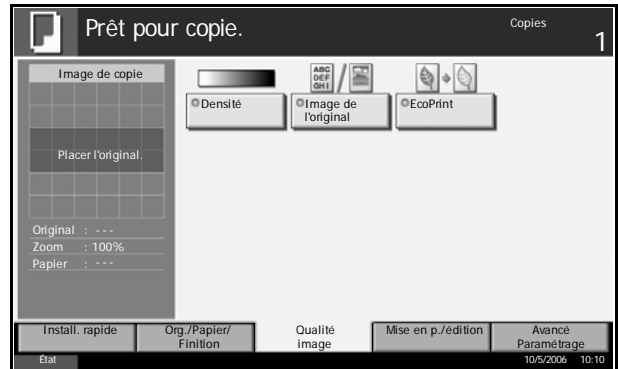
Choix de la qualité image

Cette fonction permet de choisir la qualité d'image adaptée au type d'original.

Option de Qualité image	Description
Texte + Photo	Approprié pour les originaux comportant à la fois du texte et des photos.
Texte	Approprié pour les originaux comportant essentiellement du texte.

Option de Qualité image	Description
Photo	Approprié pour les originaux composés de photos.

1 Appuyer sur [Qualité image], puis sur [Image de l'original].



2 Sélectionner la qualité de l'image.



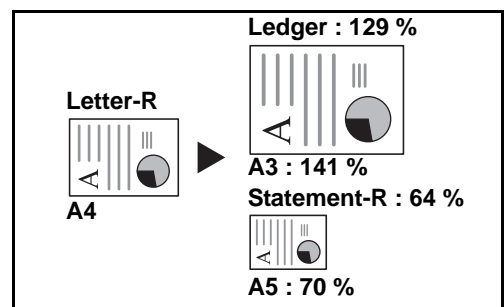
3 Appuyer sur [OK].

Agrandissement/réduction

Il est possible de régler le taux de reproduction afin d'agrandir ou de réduire l'image de l'original. Les options de zoom suivantes sont disponibles.

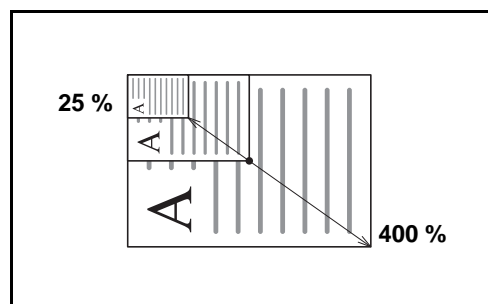
Zoom auto

Réduction ou agrandissement automatique de l'image de l'original en fonction du format papier sélectionné.



Zoom manuel

Réduction ou agrandissement manuel de l'image de l'original par pas de 1 %, entre 25 et 400 %.



Zoom prédéfini

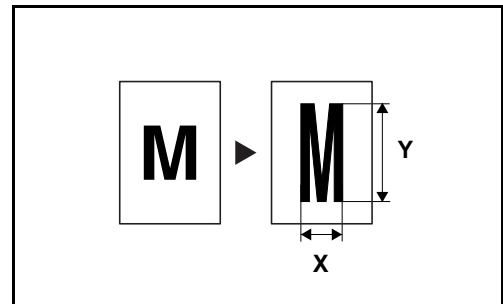
Réduction ou agrandissement selon des taux prédéfinis.

Les taux suivants sont disponibles.

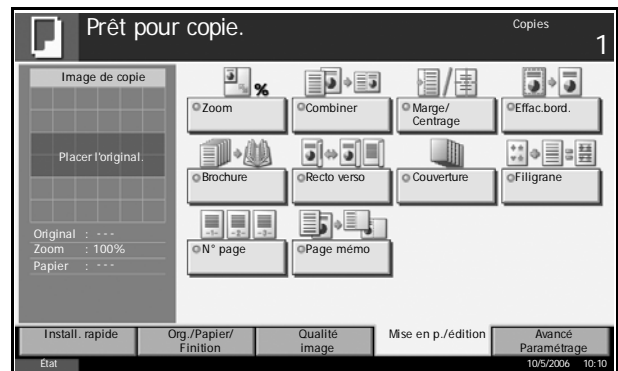
Modèle	Niveau de zoom (original/copie)
Modèles en pouces	100 %, Auto, 400 % (Max.), 200 % (STMT>>Ledger), 154 % (STMT>>Legal), 129 % (Letter>>Ledger), 121 % (Legal>>Ledger), 78 % (Legal>>Letter), 77 % (Ledger>>Legal), 64 % (Ledger>>Letter), 50 % (Ledger>>STMT), 25 % (Min.)
Modèles métriques	100 %, Auto, 400 % (Max.), 200 % (A5>>A3), 141 % (A4>>A3, A5>>A4), 127 % (Folio>>A3), 106 % (11x15">>A3), 90 % (Folio>>A4), 75 % (11x15">>A4), 70 % (A3>>A4, A4>>A5), 50 %, 25 % (Min.)
Modèles métriques (Asie Pacifique)	100 %, Auto, 400 %, Max, 200 % (A5>>A3), 141 % (A4>>A3, B5>>B4), 122 % (A4>>B4, A5>>B5), 115 % (B4>>A3, B5>>A4), 86 % (A3>>B4, A4>>B5), 81 % (B4>>A4, B5>>A5), 70 % (A3>>A4, B4>>B5), 50 %, 25 % (Min.)

Zoom XY

Sélection individuelle du taux de reproduction vertical et horizontal. Réduction ou agrandissement de l'image de l'original par pas de 1 %, entre 25 et 400 %.



- 1 Appuyer sur [Mise en p./édition], puis sur [Zoom].

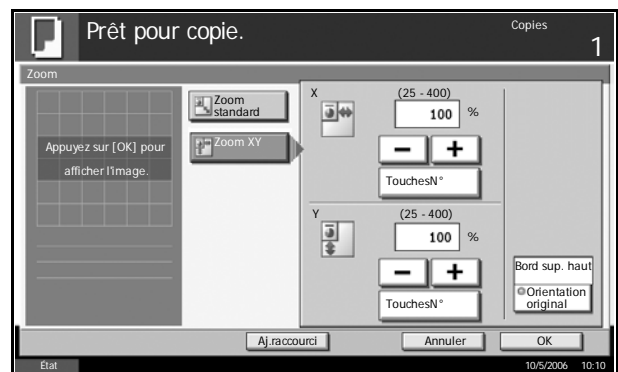


- 2 Appuyer sur [Zoom standard] pour utiliser le Zoom auto.

Appuyer sur [+] ou sur [-] pour modifier le taux de reproduction, le cas échéant. Il est possible d'appuyer sur [TouchesN°] pour entrer le taux de reproduction directement à l'aide des touches numériques.

Pour utiliser le mode Zoom prédéfini, sélectionner la touche correspondant au taux de reproduction souhaité.

Pour utiliser le mode Zoom XY, appuyer sur [Zoom XY].



Appuyer sur [+] ou sur [-] pour modifier le taux de reproduction X (horizontal) et Y (vertical). Il est possible d'appuyer sur [TouchesN°] pour entrer le taux de reproduction directement à l'aide des touches numériques.

Appuyer sur [Orientation original] pour sélectionner l'orientation des originaux, [Bord sup. haut] ou [Bord sup. gche]. Appuyer sur [OK].

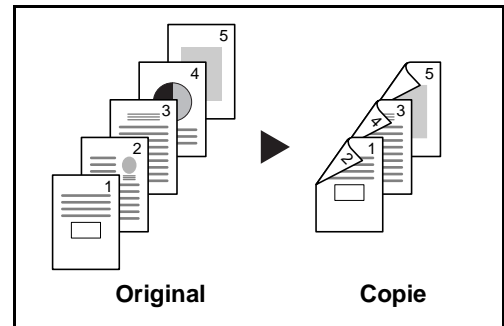
- 3 Appuyer sur [OK].

Copie recto verso

Cette option permet d'effectuer des copies recto verso. Les options recto verso suivantes sont disponibles.

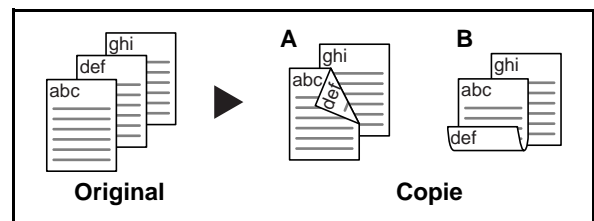
Recto sur recto verso

Cette option permet d'effectuer des copies recto verso à partir d'originaux recto. Si le nombre d'originaux est impair, le verso de la dernière copie sera vierge.



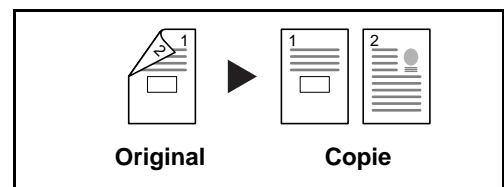
Les options de reliure suivantes sont disponibles.

- A Original Gauche/Droite sur *Reliure Gauche/Droite* : pas de rotation des images sur le verso.
- B Original Gauche/Droite sur *Reliure Haut* : rotation des images de 180° sur le verso. Les copies peuvent être reliées sur le bord supérieur, afin d'avoir la même orientation lorsque l'on tourne les pages.



Recto verso sur recto

Cette option permet de copier chaque côté d'un original recto verso sur deux feuilles individuelles. Le chargeur de documents en option est requis.



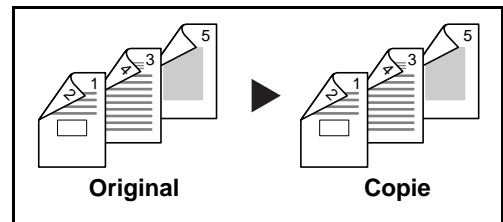
Les options de reliure suivantes sont disponibles.

Reliure Gauche/droite : pas de rotation des images sur le verso.

Reliure Haut : rotation des images de 180° sur le verso.

Recto verso sur recto verso

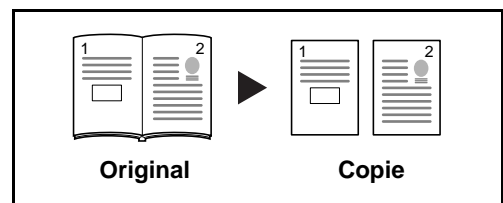
Cette option permet d'effectuer des copies recto verso à partir d'originaux recto verso. Le chargeur de documents en option est requis.



REMARQUE : Les formats de papier suivants sont pris en charge en mode Recto verso vers Recto verso : Legal, Letter, Executive Statement-R, Oficio II, 8,5x13,5", A3, B4, A4, B5, A5-R et Folio.

Livre sur recto

Cette option permet d'effectuer une copie recto d'un livre recto verso ou ouvert.



Les options de reliure suivantes sont disponibles.

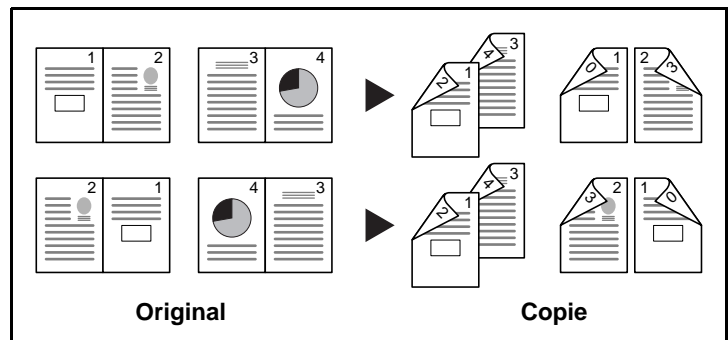
Reliure gauche : les originaux avec des pages en vis-à-vis sont copiés de gauche à droite.

Reliure droite : les originaux avec des pages en vis-à-vis sont copiés de droite à gauche.

REMARQUE : Les formats d'originaux et de papier suivants sont pris en charge en mode Recto verso sur Recto et Livre sur Recto. Original : Ledger, Letter-R, A3, B4, A4-R, B5-R, A5-R et 8K. Papier : Letter, A4, B5 et 16K. Il est possible de modifier le format du papier et de réduire ou d'agrandir la copie en fonction de ce format.

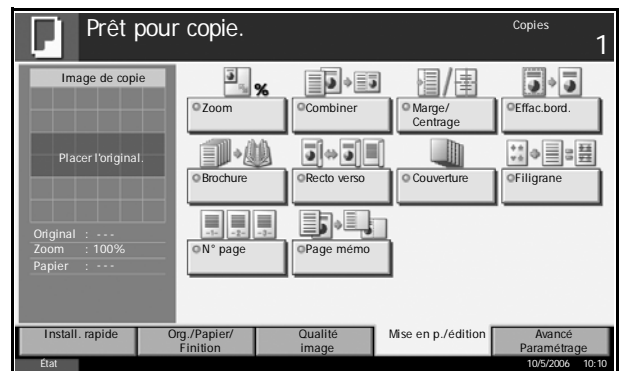
Livre sur recto verso

Cette option permet d'effectuer des copies recto verso à partir d'un livre ouvert avec les pages en vis à vis.

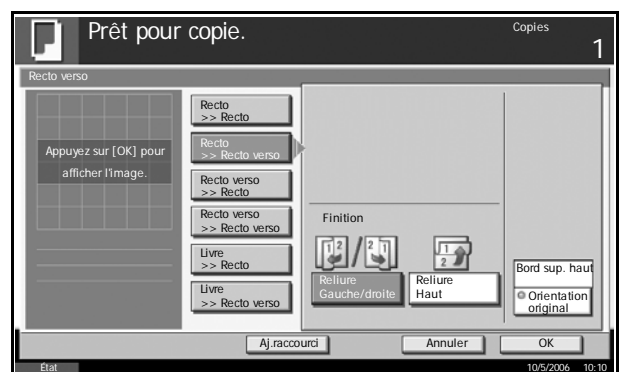


REMARQUE : Les formats d'originaux et de papier suivants sont pris en charge en mode Livre sur Recto verso : A4, B5 et 16K.

- 1 Appuyer sur [Mise en p./édition], puis sur [Recto verso].



- 2 Sélectionner l'option Recto verso souhaitée.



- 3 Pour [Recto verso>>Recto verso], [Recto verso>>Recto], [Livre>>Recto] ou [Livre>>Recto verso], sélectionner le bord de la reliure dans *Original*.
- 4 Pour [Recto>>Recto verso], [Recto verso>>Recto verso] ou [Livre>>Recto verso], sélectionner le bord de la reliure des copies dans *Finition*.
- 5 Appuyer sur [Orientation original] pour sélectionner l'orientation des originaux, [Bord sup. haut] ou [Bord sup. gche]. Appuyer sur [OK].

- 6** Appuyer sur [OK].
- 7** Mettre en place les originaux et appuyer sur la touche **Départ**.

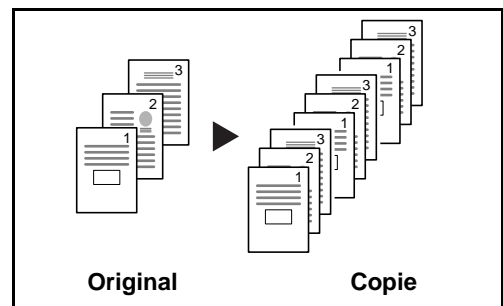
Si l'original est placé sur la glace d'exposition, effectuer la lecture et passer au suivant. Puis, appuyer sur la touche **Départ**.

Lorsque tous les originaux ont été lus, appuyer sur [Finit. Num.] pour lancer la copie.

Copies assemblées/décalées

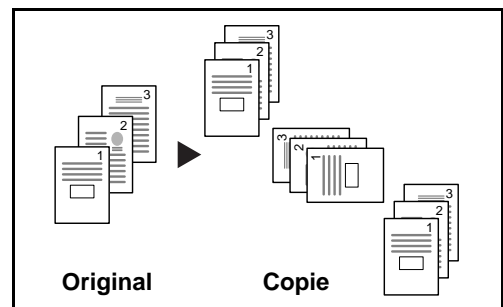
Assembler

Cette option permet de lire plusieurs originaux et de produire des jeux de copies complets triés dans l'ordre des pages.



Décaler

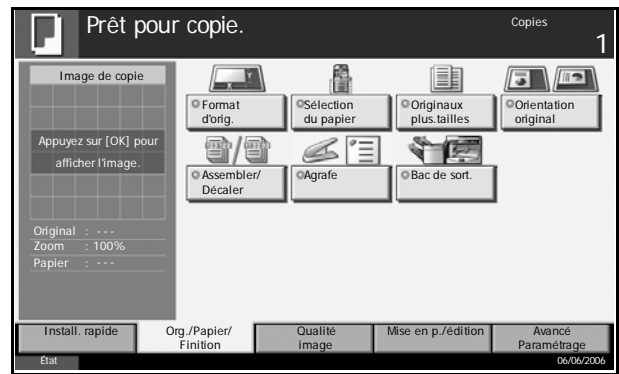
La fonction de décalage permet de sortir des copies avec une rotation de 90° pour chaque jeu (ou page).



REMARQUE : Pour utiliser la fonction de décalage, charger le même format de papier avec une orientation différente dans une source de papier différente de celle sélectionnée.

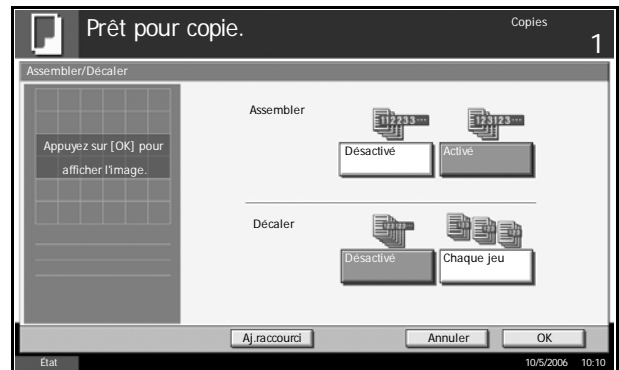
Les formats de papier pris en charge en mode Décalage sont A4, B5, Letter et 16K.

- 1 Appuyer sur [Org./ Papier/Finition], puis sur [Assembler/ Décaler]



- 2 Pour utiliser la fonction de copies assemblées, appuyer sur [Activé] dans *Assembler*.

Pour utiliser la fonction de copies décalées, appuyer sur [Désactivé] ou [Chaque jeu] dans *Décaler*.



Appuyer sur [OK].

- 3 Entrer le nombre de copies à l'aide des touches numériques.
- 4 Mettre en place les originaux et appuyer sur la touche **Départ**.

Impression – Impression à partir d'une application

Procéder comme suit pour imprimer des documents à partir d'une application.

- 1** Créer un document dans une application.
- 2** Cliquer sur **Fichier** et sélectionner **Imprimer** dans l'application. La boîte de dialogue **Imprimer** s'affiche.
- 3** Cliquer sur Nom de l'imprimante et sélectionner cette machine dans la liste.
- 4** Indiquer le nombre d'impressions souhaitées dans la case **Nombre de copies**. Le nombre maximum est de 999.

Pour imprimer plusieurs documents, sélectionner **Assembler** afin de les imprimer un par un dans l'ordre des pages.
- 5** Cliquer sur **Propriétés**. La boîte de dialogue **Propriétés** s'affiche.
- 6** Sélectionner l'onglet **Général** et cliquer sur **Format page** pour sélectionner le format du papier.

Pour imprimer sur des papiers spéciaux, par exemple papier épais ou transparents, cliquer sur le menu **Type de support** et sélectionner le type de papier.
- 7** Cliquer sur **Source** et sélectionner la source de papier.

REMARQUE : Si l'option **Sélection auto.** est activée, le papier est alimenté automatiquement à partir de la source de papier contenant le format et le type de papier adapté. Pour imprimer sur des papiers spéciaux, par exemple enveloppe ou papier épais, placer le papier dans le bac MF et sélectionner **Bac MF**.

- 8** Sélectionner l'orientation du papier, **Portrait** ou **Paysage**, en fonction de l'orientation du document.

Si l'option **Retourné** est activée, le document sera imprimé après une rotation de 180°.
- 9** Cliquer sur le bouton **OK** pour revenir à la boîte de dialogue **Imprimer**.
- 10** Cliquer sur le bouton **OK** pour lancer l'impression.

Envoi

Procéder comme suit pour effectuer les fonctions d'envoi de base. Les quatre options suivantes sont disponibles.

- Envoi en E-mail : envoie l'image numérisée d'un original comme pièce jointe à un e-mail...*page 3-19*
- Envoi vers dossier (SMB) : stocke l'image numérisée d'un original dans un dossier partagé sur un PC...*page 3-21*
- Envoi vers dossier (FTP) : stocke l'image numérisée d'un original dans un dossier sur un serveur FTP...*page 3-24*
- Numérisation d'images avec TWAIN : charge les données d'un document stocké dans une boîte personnalisée sur PC...*page 3-27*

REMARQUE : Il est possible de numériser des originaux couleur en augmentant la mémoire de la machine. Consulter votre service d'assistance.

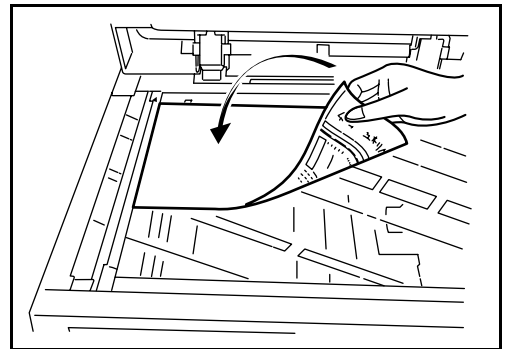
Il est possible de combiner plusieurs options d'envoi. Se reporter à la section *Envoi vers différents types de destinataires (Envoi multiple)* à la page 3-35.

Envoi en E-mail

Cette option permet d'envoyer l'image numérisée d'un original comme pièce jointe à un e-mail.

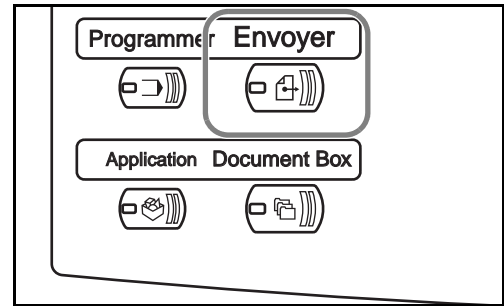
REMARQUE : Pour permettre l'envoi comme e-mail, une connexion réseau et un serveur SMTP sont requis. Contacter l'administrateur système pour connaître la configuration.

- 1** Placer les originaux sur la glace d'exposition ou dans le chargeur de documents en option.



REMARQUE : Pour plus d'informations sur le chargement, se reporter à la section *Chargement des originaux* à la page 2-25.

- 2** Appuyer sur la touche **Envoyer**.



- 3** Appuyer sur [Entrée adresse E-mail], puis sur [Adresse E-mail].

REMARQUE : Le destinataire peut être spécifié à l'aide du carnet d'adresses ou des **touches uniques**. Se reporter à la section *Spécification de la destination à la page 3-33*.

- 4** Entrer l'adresse E-mail du destinataire et appuyer sur [OK].



- 5** Appuyer sur [À:], [Cc:] ou [Cci:] pour modifier le statut du destinataire, le cas échéant.

Pour spécifier un autre destinataire, passer à l'étape suivante. Pour spécifier un seul destinataire, passer à l'étape 7.

- 6** Appuyer sur [Dest. svt] et recommencer les étapes 4 et 5 pour spécifier le destinataire. Il est possible de spécifier 100 adresses E-mail au maximum.

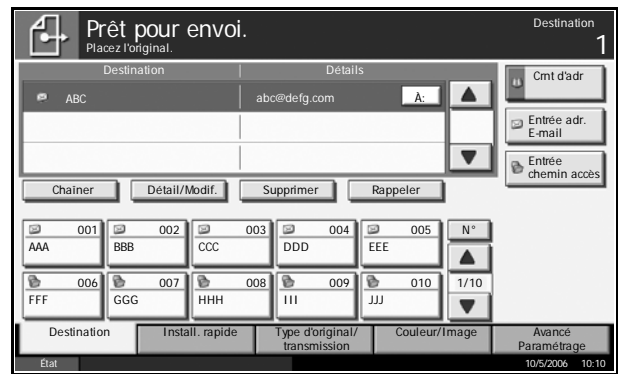
REMARQUE : Lorsque l'écran affiche [Ajouter > crnt d'adr], les destinataires sont enregistrés dans le carnet d'adresses.

- 7** Appuyer sur [OK]. Les destinataires sont enregistrés dans la liste de destinations.

- 8** Vérifier la liste de destinations.

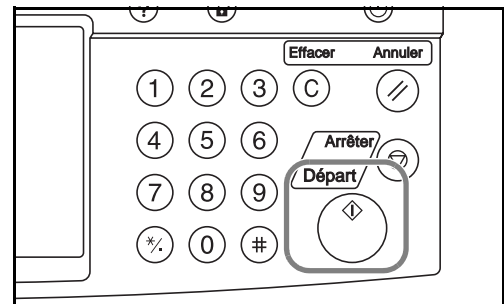
Sélectionner un destinataire et appuyer sur [Détail/Modif.] pour le vérifier et le modifier. Pour modifier le destinataire, se reporter aux étapes 4 et 5.

Pour supprimer un destinataire de la liste, le sélectionner et appuyer sur [Supprimer].



9 Le cas échéant, modifier le format de l'original, la résolution de numérisation, etc.

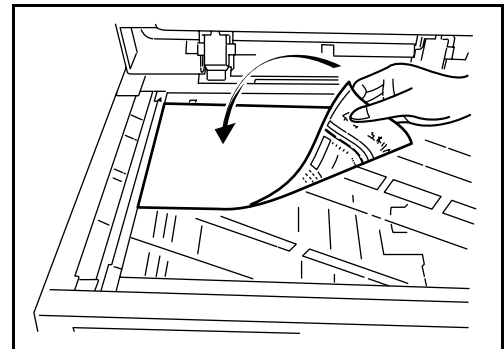
10 Appuyer sur la touche **Départ**.
L'original numérisé est envoyé à l'adresse E-mail spécifiée.



Envoi vers dossier (SMB)

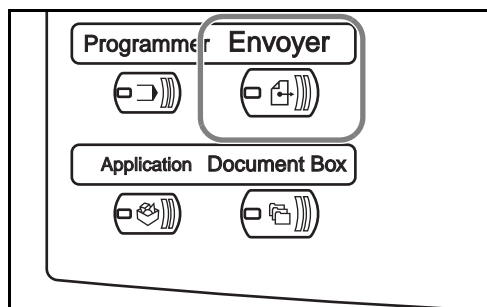
Cette option permet de stocker le fichier image d'un original dans un dossier partagé sur un PC.

1 Placer les originaux sur la glace d'exposition ou dans le chargeur de documents en option.



REMARQUE : Pour plus d'informations sur le chargement, se reporter à la section *Chargement des originaux* à la page 2-25.

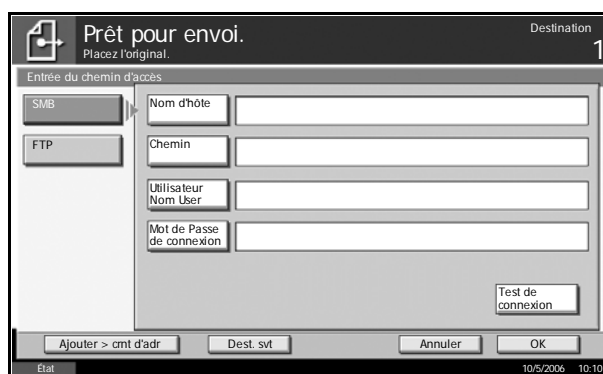
- 2** Appuyer sur la touche **Envoyer**.



- 3** Appuyer sur [Entrée du chemin d'accès], puis sur [SMB].

REMARQUE : Le destinataire peut être spécifié à l'aide du carnet d'adresses ou des **touches uniques**. Pour plus de détails, se reporter à la *Spécification de la destination* à la page 3-33.

- 4** Entrer le nom d'hôte, le chemin, le nom d'utilisateur et le mot de passe. Appuyer sur la touche de l'élément à saisir pour afficher l'écran de saisie.



- 5** Entrer les données de destination et appuyer sur [OK].



Les données à saisir sont les suivantes.

Élément	Données à saisir	Nombre de caractères max.
Nom d'hôte*	Nom d'hôte ou adresse IP du PC expéditeur.	62 caractères maximum
Chemin	Chemin du dossier de destination. Par exemple, <i>\Utilisateur\DonnéesNumérisation.</i>	126 caractères maximum

Élément	Données à saisir	Nombre de caractères max.
Utilisateur Nom User	Nom d'utilisateur permettant l'accès au dossier	62 caractères maximum
Mot de Passe de connexion	Mot de passe permettant l'accès au dossier	62 caractères maximum

* Spécifier un numéro de port différent du port par défaut (139) en utilisant le format Nom d'hôte : N° de port.

- 6** Une fois la saisie terminée, appuyer sur [Test de connexion] pour vérifier la connexion.



REMARQUE : Le message *Connecté* s'affiche si la connexion avec le destinataire est établie correctement. Si le message *Connexion impossible* s'affiche, vérifier la saisie.

Pour spécifier un autre destinataire, passer à l'étape suivante.
Pour spécifier un seul destinataire, passer à l'étape 8.

- 7** Appuyer sur [Dest. svt] et recommencer les étapes 4 à 6 pour spécifier le destinataire. 10 dossiers peuvent être enregistrés au maximum.

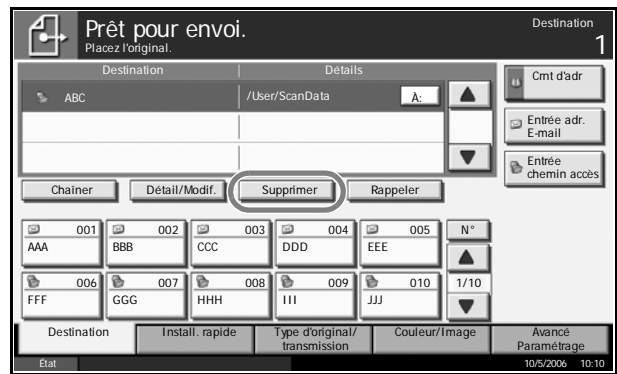
REMARQUE : Lorsque l'écran affiche [Ajouter > crnt d'adr], la saisie est enregistrée dans le carnet d'adresses.

- 8** Appuyer sur [OK] pour enregistrer la saisie dans la liste de destinations.

- 9** Vérifier la liste de destinations.

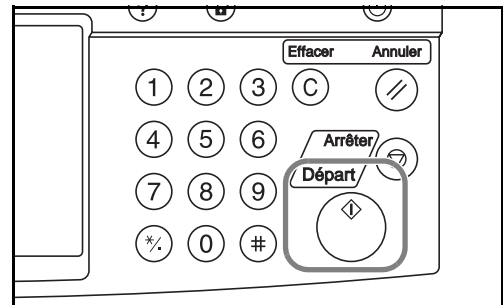
Sélectionner un destinataire et appuyer sur [Détail/Modif.] pour le vérifier et le modifier. Le modifier le cas échéant, en recommençant les étapes 5 à 7.

Pour supprimer un destinataire de la liste, le sélectionner et appuyer sur [Supprimer].



10 Le cas échéant, modifier le format de l'original, la résolution de numérisation, etc.

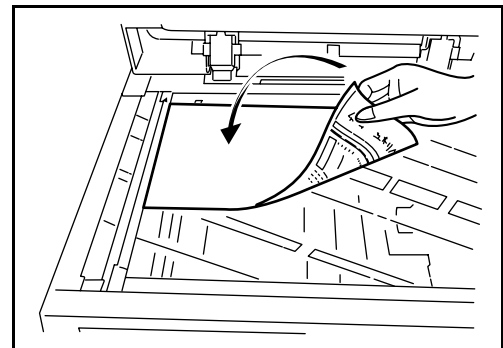
11 Appuyer sur la touche **Départ**. Le fichier de l'original numérisé est envoyé au dossier partagé spécifié sur le PC.



Envoi vers dossier (FTP)

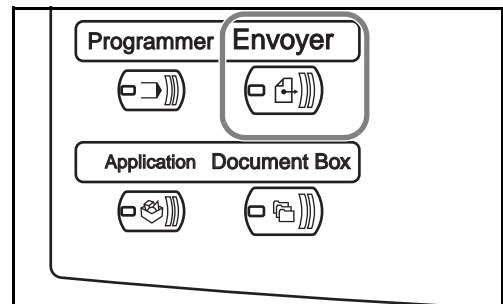
Cette option permet de stocker l'image numérisée d'un original dans un dossier sur un serveur FTP.

1 Placer les originaux sur la glace d'exposition ou dans le chargeur de documents en option.



REMARQUE : Pour plus d'informations sur le chargement, se reporter à la section *Chargement des originaux* à la page 2-25.

2 Appuyer sur la touche **Envoyer**.



- 3 Appuyer sur [Entrée du chemin d'accès], puis sur [FTP].

REMARQUE : Le destinataire peut être spécifié à l'aide du carnet d'adresses ou des **touches uniques**. Se reporter à la section *Spécification de la destination à la page 3-33*.

- 4 Entrer le nom d'hôte, le chemin, le nom d'utilisateur et le mot de passe. Appuyer sur la touche de l'élément à saisir pour afficher l'écran de saisie.

- 5 Entrer les données de destination et appuyer sur [OK].

Les données à saisir sont les suivantes.

Élément	Données à saisir	Nombre de caractères max.
Nom d'hôte*	Nom d'hôte ou adresse IP du serveur FTP.	62 caractères maximum
Chemin	Chemin d'accès du dossier de destination. Par exemple, <i>Utilisateur\DonnéesNumérisation</i> . Sinon, les données seront enregistrées dans le répertoire de base.	126 caractères maximum
Utilisateur Nom User	Nom utilisateur de connexion au serveur FTP	62 caractères maximum
Mot de Passe de connexion	Mot de passe de connexion au serveur FTP	62 caractères maximum

* Spécifier un numéro de port différent du port par défaut (21) en utilisant le format Nom d'hôte : N° de port.

- 6** Une fois la saisie terminée, appuyer sur [Test de connexion] pour vérifier la connexion.



REMARQUE : Le message *Connecté* s'affiche si la connexion avec le destinataire est établie correctement. Si le message *Connexion impossible* s'affiche, vérifier la saisie.

Pour spécifier un autre destinataire, passer à l'étape suivante. Pour spécifier un seul destinataire, passer à l'étape 8.

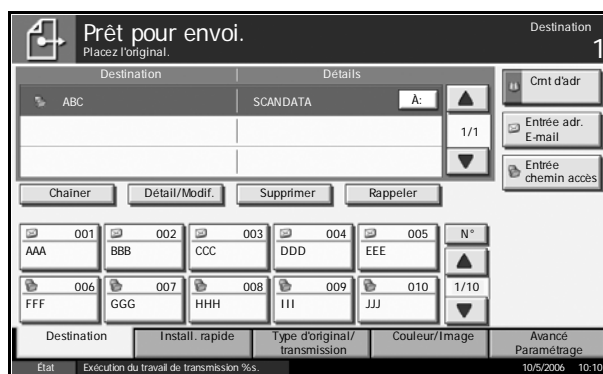
- 7** Appuyer sur [Dest. svt] et recommencer les étapes 5 à 7 pour spécifier le destinataire. 10 dossiers peuvent être enregistrés au maximum (nombre total de dossiers SMB et FTP).

REMARQUE : Lorsque l'écran affiche [Ajouter > crnt d'adr], la saisie est enregistrée dans le carnet d'adresses.

- 8** Appuyer sur [OK] pour enregistrer la saisie dans la liste de destinations.
- 9** Vérifier la liste de destinations.

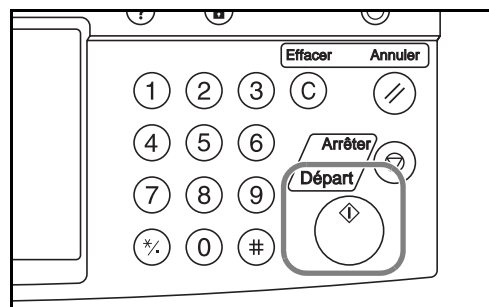
Sélectionner un destinataire et appuyer sur [Détail/Modif.] pour le vérifier et le modifier. Le modifier le cas échéant, en recommençant les étapes 4 à 6.

Pour supprimer un destinataire de la liste, le sélectionner et appuyer sur [Supprimer].



- 10** Le cas échéant, modifier le format de l'original, la résolution de numérisation, etc.

- 11** Appuyer sur la touche **Départ**.
Le fichier de l'original numérisé est enregistré sur le serveur FTP spécifié.



Numérisation d'images à l'aide de TWAIN

Cette option permet de charger les données d'un document stocké dans une boîte personnalisée sur PC.

REMARQUE : Les données doivent préalablement être stockées dans la Boîte personnalisée. Pour plus de détails, se reporter à la section *Utilisation de la Boîte de document* à la page 3-36.

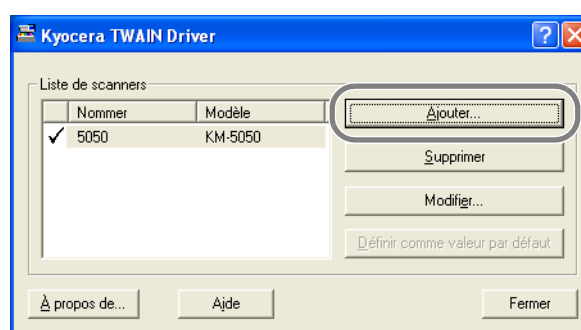
Ajout de la machine au PC

Ajouter la machine au PC afin de sélectionner la Boîte personnalisée de la machine.

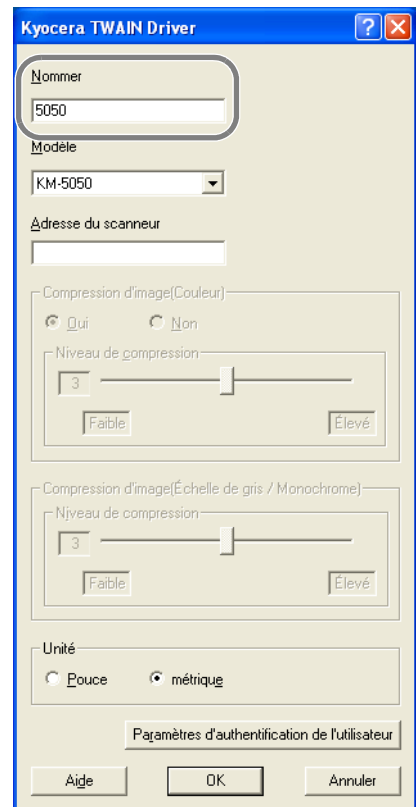
- 1** Sous Windows, cliquer sur **Démarrer, Programmes,** puis **TWAIN Driver Setting.**

REMARQUE : Il est également possible d'ajouter la machine au PC en cliquant sur **Démarrer** dans Windows, **Panneau de configuration,** puis **TWAIN Driver Setting.**

- 2** Cliquer sur le bouton **Ajouter.**



- 3 Entrer le nom de la machine dans le champ **Nommer**.

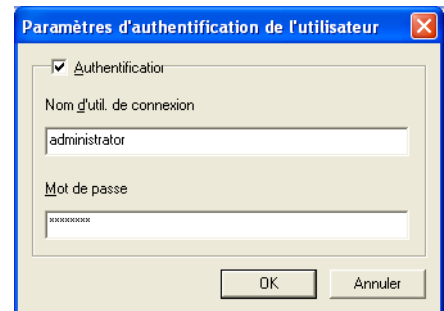


- 4 Sélectionner la machine dans le champ **Modèle**.
- 5 Entrer l'adresse de la machine dans le champ **Adresse du scanneur**.

REMARQUE : Si l'adresse de la machine est inconnue, contacter l'administrateur.

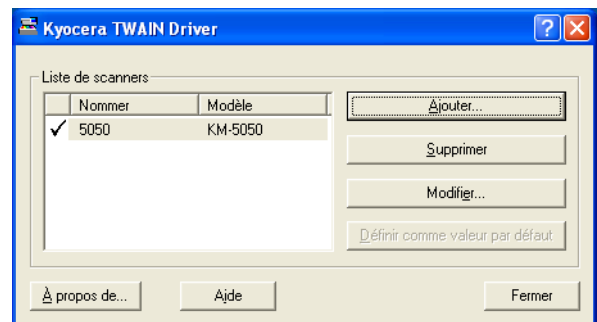
- 6 Sélectionner **Pouce** ou **métrique**.
- 7 Cliquer sur le bouton **Paramètres d'authentification de l'utilisateur**.

- 8** Activer la case à cocher à côté de **Authentification**, entrer l'ID d'utilisateur (64 caractères maximum) et le mot de passe (64 caractères maximum), puis cliquer sur **OK**.



- 9** Cliquer sur le bouton **OK**.
- 10** La machine est ajoutée au PC et le nom de machine et le nom de modèle s'affichent dans le champ **Liste de scanners**.

REMARQUE : Cliquer sur le bouton **Supprimer** pour supprimer la machine ajoutée. Cliquer sur le bouton **Modifier** pour modifier les noms.



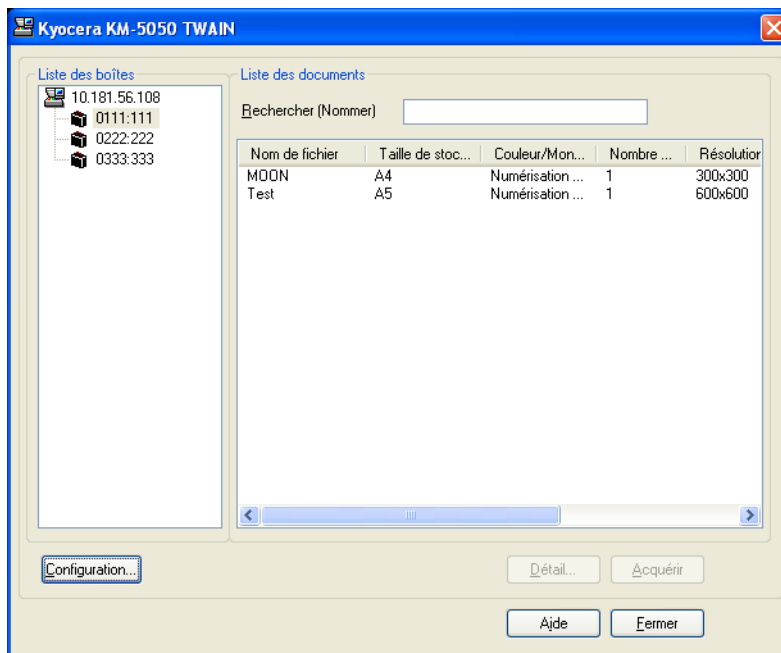
Numérisation des données

Cette option permet de numériser les données d'un document stocké dans la boîte personnalisée de la machine.

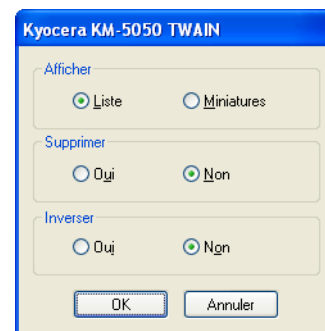
- 1** Lancer l'application compatible TWAIN.
- 2** Sélectionner la machine dans l'application et afficher la boîte de dialogue TWAIN.

REMARQUE : Pour sélectionner la machine, se reporter au Manuel d'utilisation ou à l'Aide du logiciel utilisé.

- 3 Sélectionner la Boîte personnalisée contenant les données à numériser dans le champ **Liste des boîtes**. Les données contenues dans la Boîte personnalisée s'affichent dans le champ **Liste des documents**.

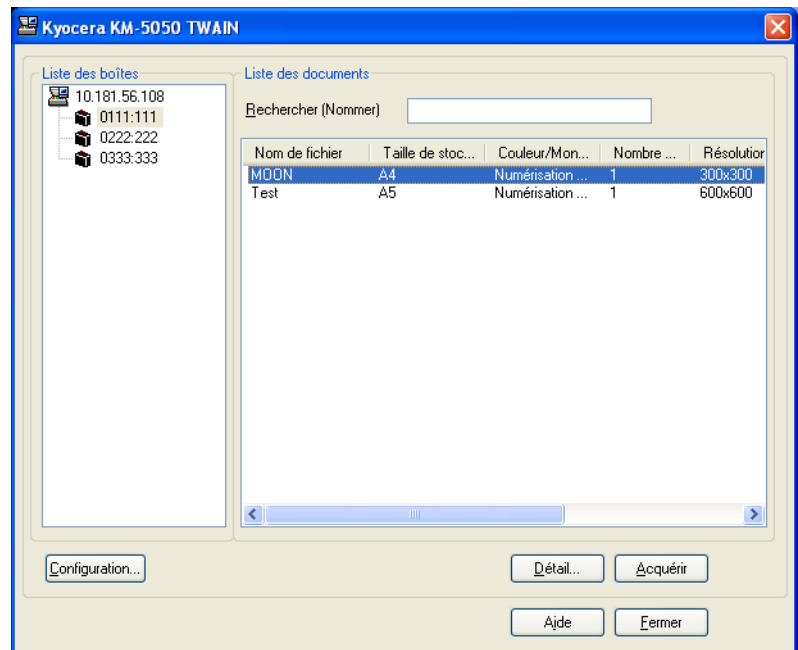


- 4 Paramétrer l'affichage des données. Cliquer sur le bouton **Configuration** pour sélectionner les différents éléments.



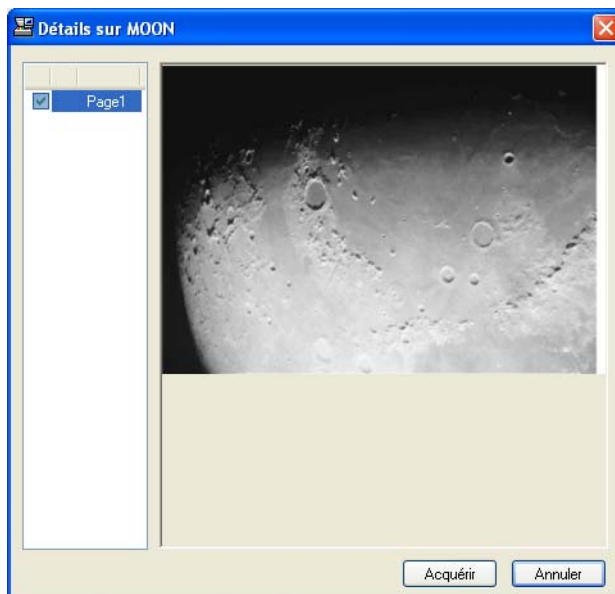
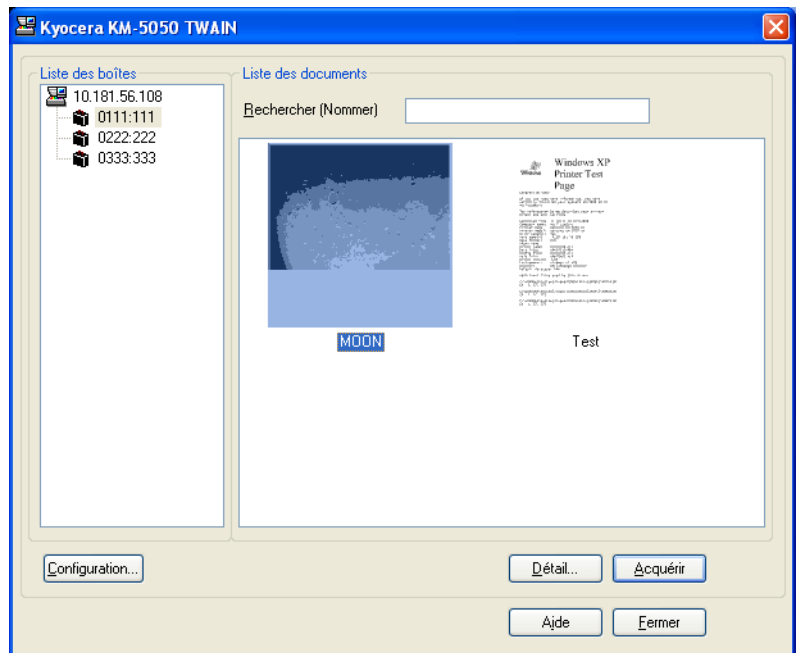
Élément	Description
Afficher	Permet de sélectionner l'affichage dans le champ Liste des documents sous forme de liste ou de miniatures.
Supprimer	Permet de supprimer les données de la Boîte personnalisée après la numérisation.
Inverser	Permet d'inverser les couleurs des données pour lancer la numérisation.

- 5 Cliquer sur le bouton **OK**.

6 Sélectionner les données à numériser dans le champ **Liste des documents**.

Entrer le nom du document dans le champ **Rechercher (Nommer)** pour rechercher les données ayant le même nom de document ou la même en-tête dans le nom de document.

- 7 Cliquer sur le bouton **Détail** pour afficher les données du document sélectionné. Si le document comporte plusieurs pages, activer la case à cocher à côté de la page à numériser. Les pages sélectionnées sont numérisées.



- 8 Cliquer sur le bouton **Acquérir**. Les données sont numérisées.

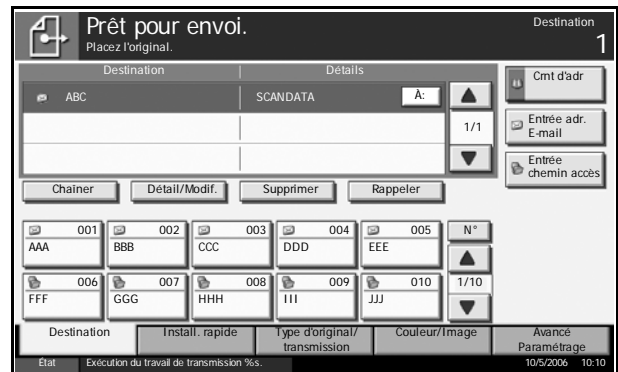
Spécification de la destination

Pour spécifier un destinataire, utiliser le carnet d'adresses ou les **touches uniques**.

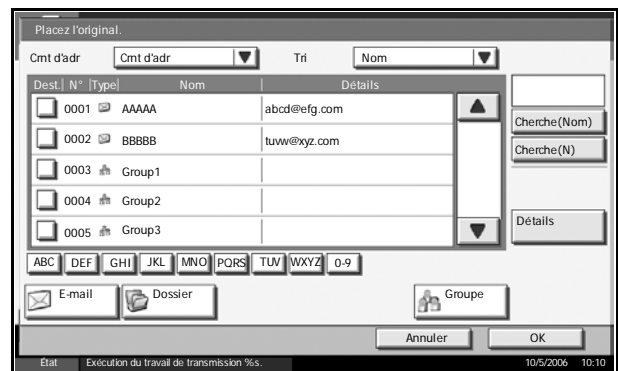
Sélection dans le carnet d'adresses

Sélectionner un destinataire enregistré dans le carnet d'adresses.

- 1 Dans l'écran de base de la fonction envoi, appuyer sur [Crnt d'adr].



- 2 Cocher la case pour sélectionner le destinataire désiré dans la liste. Il est possible de sélectionner plusieurs destinataires. Le destinataire sélectionné est signalé par une coche dans la case à cocher.



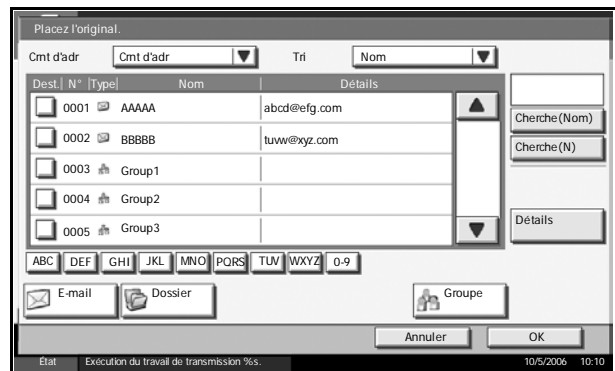
REMARQUE : Pour annuler la sélection, décocher la case.

- 3 Pour un envoi comme E-mail, cliquer sur [À:], [Cc:] ou [Cci:] pour modifier le statut du destinataire, le cas échéant.
- 4 Appuyer sur [OK] pour enregistrer le destinataire sélectionné dans la liste de destinations.

REMARQUE : Pour supprimer le destinataire de la liste, le sélectionner et appuyer sur [Supprimer].

Recherche de destinataire

Il est possible d'effectuer une recherche sur les destinataires enregistrés dans le carnet d'adresses. Une recherche avancée par type ou par lettre initiale est également possible.



Touches utilisées	Type de recherche	Sujets de la recherche
1	Recherche par nom	Recherche par nom enregistré.
2	Recherche par numéro d'adresse	Recherche par numéro d'adresse enregistré.
3	Recherche avancée par type de destinataire	Recherche avancée par type de destinataire enregistré (E-mail, dossier (SMB/FTP), FAX ou Groupe). (FAX : uniquement si le kit de fax en option est installé.)
4	Recherche avancée par lettre initiale	Recherche avancée sur la première lettre du nom enregistré.

Recherche par nom

Appuyer sur [Cherche(Nom)] et entrer le nom désiré.

Recherche par numéro d'adresse

Appuyer sur [Cherche(N)] et entrer le numéro d'adresse à rechercher.

Recherche avancée par type de destinataire

Appuyer sur [E-mail], [Dossier], [FAX] ou [Groupe]. Les destinataires enregistrés dans ce type s'affichent.

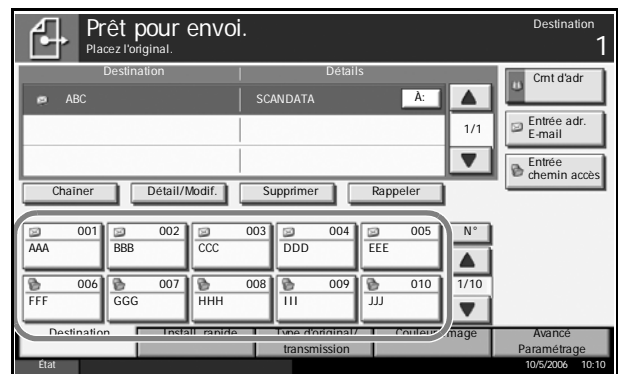
Recherche avancée par lettre initiale

Appuyer sur la touche de la première lettre désirée.

Sélection par touche unique

Sélectionner le destinataire à l'aide de la **touche unique**.

Dans l'écran de base de la fonction d'envoi, cliquer sur la **touche unique** sur laquelle le destinataire est enregistré.

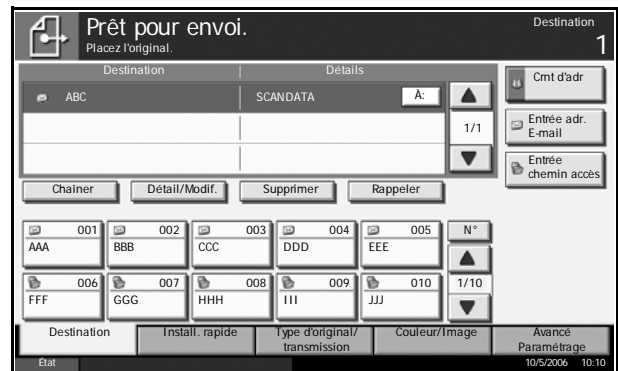


REMARQUE : Si la **touche unique** du destinataire désiré n'est pas affichée sur l'écran tactile, cliquer sur [▼] ou sur [▲] pour faire défiler et afficher la **touche unique** suivante ou précédente.

Sélection par numérotation abrégée

Sélectionner le destinataire à l'aide d'un numéro de **touche unique** à trois chiffres (numérotation abrégée).

Dans l'écran de base de la fonction d'envoi, cliquer sur la touche **N°** et entrer le numéro de **touche unique** à 3 chiffres dans l'écran de saisie numérique.



Envoi vers différents types de destinataires (Envoi multiple)

Il est possible de spécifier plusieurs types de destinataires, E-mail, Dossier (SMB/FTP) ou FAX (option) en même temps pour l'envoi. Cette fonction est appelée *Envoi multiple* ; il s'agit d'une option très utile permettant des transmissions vers des types de destinataires différents (E-mail, dossier, etc.) en une seule opération.

Les procédures sont les mêmes que celles utilisées pour spécifier les destinataires de chaque type. Il suffit d'ajouter l'adresse E-mail ou le chemin d'accès du dossier pour les afficher dans la liste de destinations. Appuyer sur la touche **Départ** pour lancer la transmission simultanément vers tous les destinataires.

Utilisation de la Boîte de document

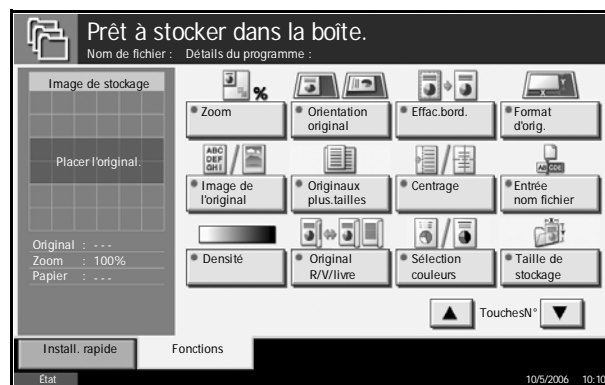
Procéder comme suit pour effectuer les opérations de base de la boîte de document.

REMARQUE : La boîte de document est supposée être déjà créée et enregistrée.

Stockage de documents dans la Boîte personnalisée

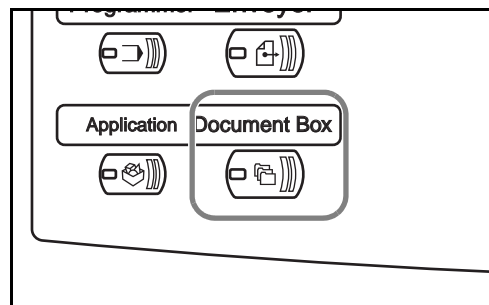
Cette fonction permet de stocker des documents dans la Boîte personnalisée.

- 1 Placer les originaux sur la glace d'exposition ou dans le chargeur de documents en option.



REMARQUE : Pour plus d'informations sur le chargement, se reporter à la section *Chargement des originaux* à la page 2-25.

- 2 Appuyer sur la touche **Document Box**.



- 3 Appuyer sur [Boîte personnalisée] et sélectionner la boîte dans laquelle le fichier doit être stocké.



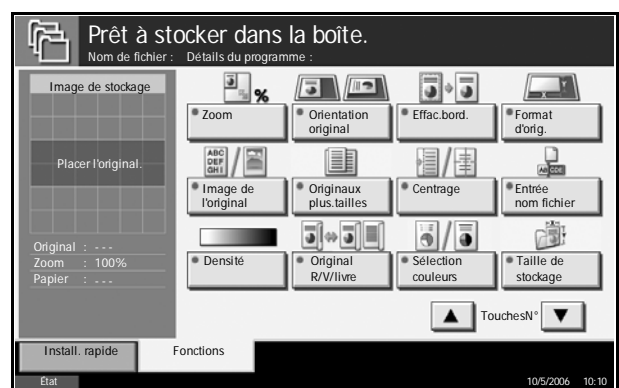
REMARQUE : La boîte personnalisée doit être créée au préalable.

- 4 Appuyer sur [Stock. fichier].

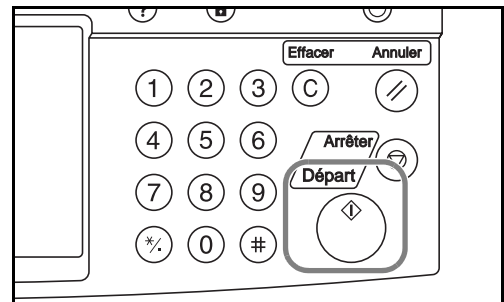


REMARQUE : Si un mot de passe a été défini pour la boîte personnalisée, entrer le mot de passe.

- 5 Le cas échéant, modifier le type d'original, la densité de numérisation, etc.



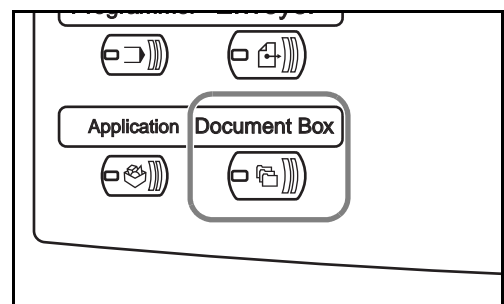
- 6 Appuyer sur la touche **Départ**. L'original est numérisé et les données sont stockées dans la boîte de document spécifiée.



Impression de documents stockés dans la Boîte personnalisée

Cette fonction permet d'imprimer des documents stockés dans la boîte personnalisée.

- 1 Appuyer sur la touche **Document Box**.



- 2** Appuyer sur [Boîte personnalisée] et sélectionner la boîte contenant le document à imprimer.



- 3** Appuyer sur [Ouvrir].



REMARQUE : Si un mot de passe a été défini pour la boîte personnalisée, entrer le mot de passe.

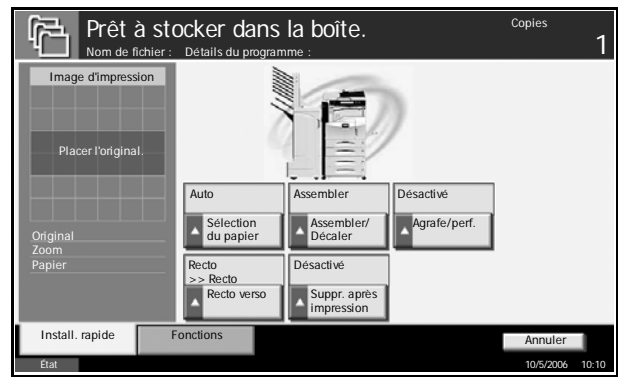
- 4** Dans la liste, cocher la case à côté du document à imprimer. Le document sélectionné est signalé par une coche dans la case à cocher.



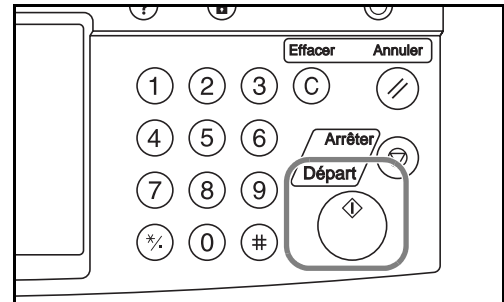
REMARQUE : Il n'est pas possible de sélectionner et d'envoyer plusieurs documents. Pour annuler la sélection, décocher la case.

- 5** Appuyer sur [Imprimer].

- 6** Le cas échéant, modifier la sélection de papier, recto/recto verso, etc.



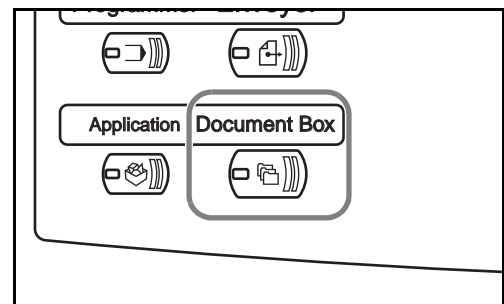
- 7** Appuyer sur la touche **Départ** pour lancer l'impression du document sélectionné.



Envoi de documents stockés dans la Boîte personnalisée

Cette fonction permet d'envoyer des documents stockés dans la boîte personnalisée.

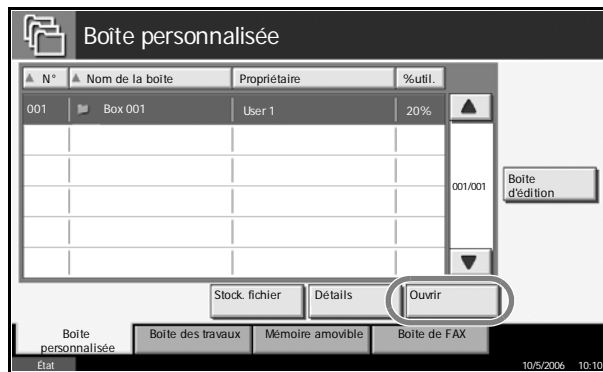
- 1** Appuyer sur la touche **Document Box**.



- 2** Appuyer sur [Boîte personnalisée] et sélectionner la boîte contenant le document à envoyer.



3 Appuyer sur [Ouvrir].



REMARQUE : Si un mot de passe a été défini pour la boîte personnalisée, entrer le mot de passe.

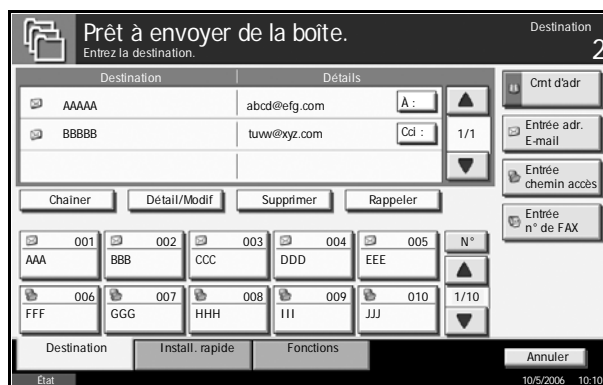
4 Dans la liste, cocher la case à côté du document à envoyer. Le document sélectionné est signalé par une coche dans la case à cocher.



REMARQUE : Il n'est pas possible de sélectionner et d'envoyer plusieurs documents. Pour annuler la sélection, décocher la case.

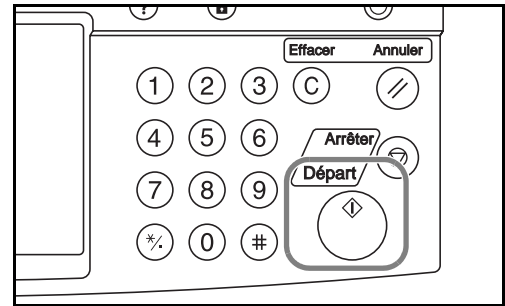
5 Appuyer sur [Envoyer].

6 Sélectionner le destinataire.



REMARQUE : Pour plus de détails sur la sélection des destinataires, se reporter à la section *Spécification de la destination* à la page 3-33.

- 7** Appuyer sur la touche **Départ** pour lancer l'envoi du document sélectionné.

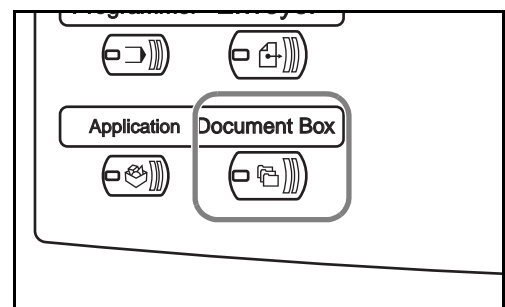


Édition de documents stockés dans la Boîte personnalisée

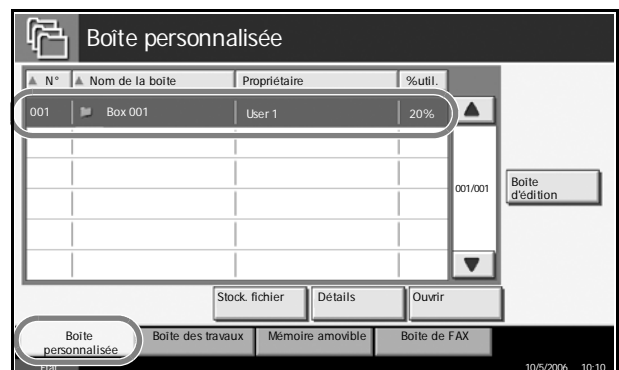
Cette fonction permet de déplacer des documents entre des boîtes personnalisées ou de fusionner plusieurs documents.

Déplacement de documents

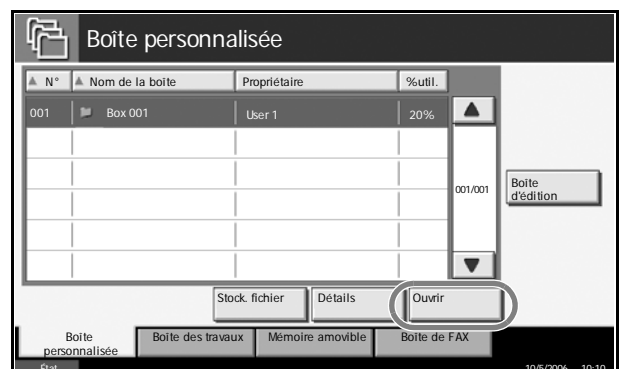
- 1** Appuyer sur la touche **Document Box**.



- 2** Appuyer sur [Boîte personnalisée] et sélectionner la boîte contenant le document à déplacer.



- 3** Appuyer sur [Ouvrir].



REMARQUE : Si un mot de passe a été défini pour la boîte personnalisée, entrer le mot de passe.

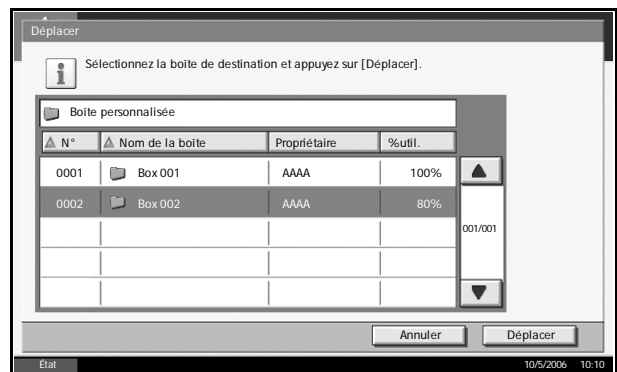
- 4** Dans la liste, cocher la case à côté du document à déplacer. Le document sélectionné est signalé par une coche dans la case à cocher.



REMARQUE : Pour annuler la sélection, décocher la case.

- 5** Appuyer sur [Déplacer].

- 6** Sélectionner la boîte de destination et appuyer sur [Déplacer]. Le document est déplacé dans la boîte.



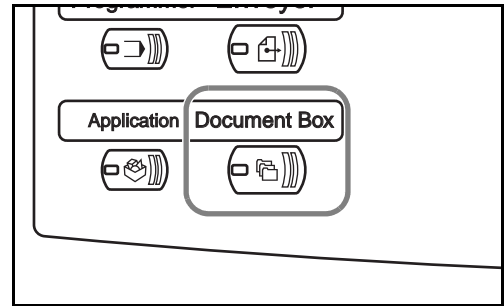
REMARQUE : Si un mot de passe a été défini pour la boîte de destination, entrer le mot de passe.

Fusion de documents

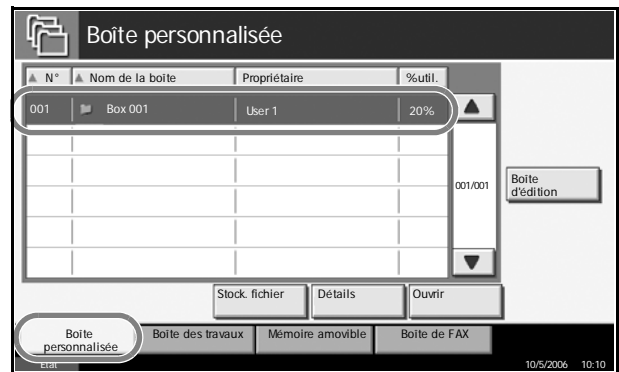
Cette fonction permet de fusionner des documents stockés dans la boîte personnalisée.

REMARQUE : Seuls les documents figurant dans la même boîte personnalisée peuvent être fusionnés. Le cas échéant, déplacer les documents pour les stocker dans une même boîte.

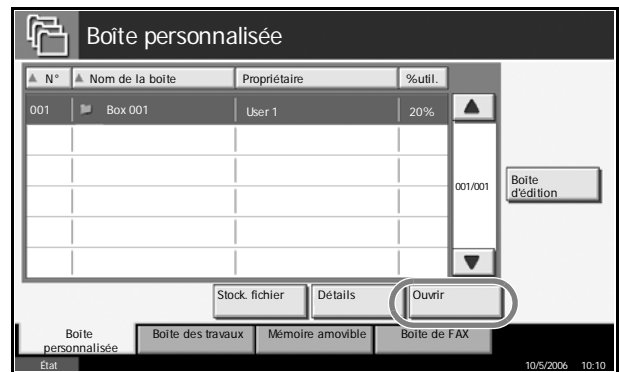
- 1** Appuyer sur la touche **Document Box**.



- 2** Appuyer sur [Boîte personnalisée] et sélectionner la boîte contenant les documents à fusionner.

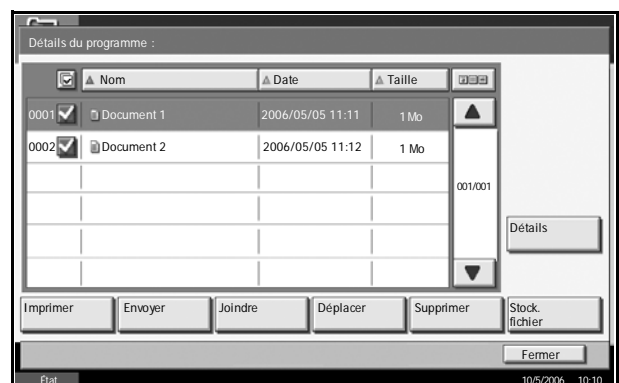


- 3** Appuyer sur [Ouvrir].



REMARQUE : Si un mot de passe a été défini pour la boîte personnalisée, entrer le mot de passe.

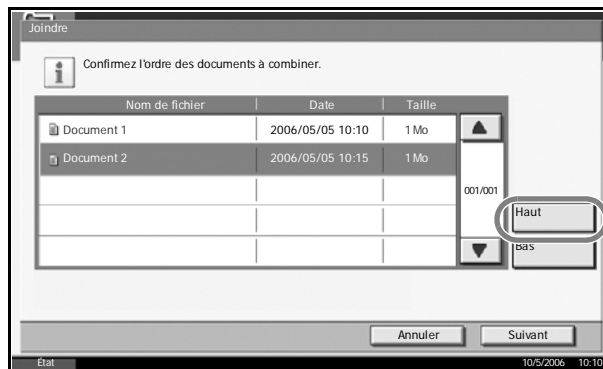
- 4** Dans la liste, cocher la case à côté des documents à fusionner. 10 documents peuvent être fusionnés au maximum. Les documents sélectionnés sont signalés par une coche dans la case à cocher.



REMARQUE : Pour annuler la sélection, décocher la case.

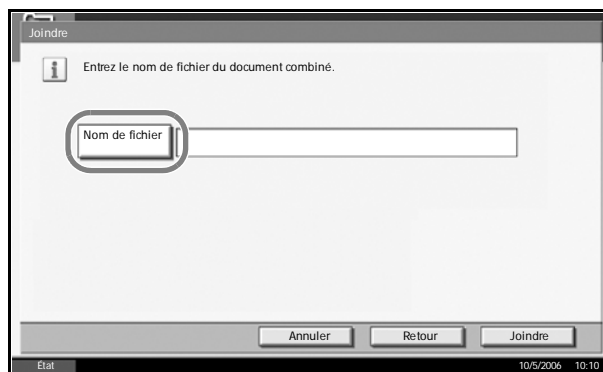
- 5 Appuyer sur [Joindre].
- 6 Classer les documents dans l'ordre désiré.

Cliquer sur le document à reclasser. Ce document est mis en surbrillance. Cliquer sur [Haut] ou [Bas] pour déplacer le document vers le haut ou vers le bas en fonction de l'ordre de fusion.



- 7 Appuyer sur [Suivant].

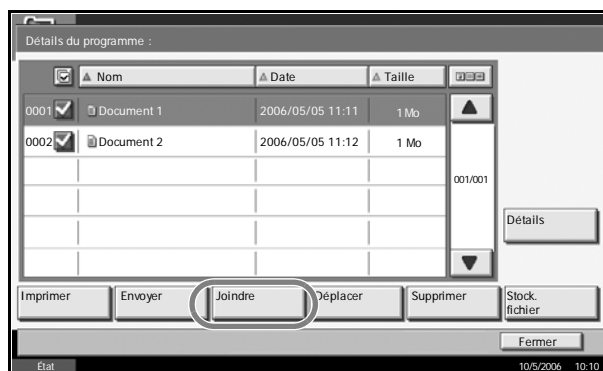
- 8 Appuyer sur [Nom de fichier].



- 9 Entrer le nouveau nom de fichier des documents fusionnés et appuyer sur [OK].

REMARQUE : Pour plus de détails sur la saisie de caractères, se reporter à l'Annexe.

- 10 Appuyer sur [Joindre]. Les documents sont fusionnés.



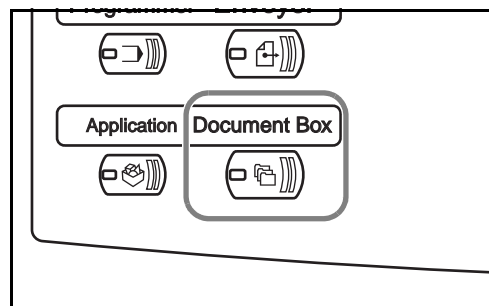
REMARQUE : Les documents existant avant la fusion sont conservés. Les supprimer s'ils ne sont plus utiles.

Impression de documents stockés dans la Boîte des travaux

Cette fonction permet d'imprimer des documents stockés dans la boîte des travaux. La boîte des travaux contient les boîtes et les documents suivants.

Type de boîte	Documents stockés
Travail impression/ stocké privé	Impression de travaux stockés à l'aide des fonctions Impression privée ou Travail stocké.
Copie rapide/ Vérification avant impression	Impression de travaux stockés à l'aide des fonctions Impression rapide ou Vérification avant impression.
Recommencer la copie	Copie de travaux à l'aide de l'option Recommencer la copie.
Formulaire pour Filigrane (Copie)	Données de formulaire utilisées pour Filigrane (Copie)

- 1 Appuyer sur la touche **Document Box**.



- 2 Appuyer sur [Boîte des travaux].

- 3 Sélectionner la boîte contenant le document à imprimer dans [Travail impression/stocké privé], [Copie rapide/Vérification avant impression], [Recommencer la copie] ou [Formulaire pour Filigrane (Copie)]. Appuyer sur [Ouvrir].



- 4** Sélectionner le document à imprimer et appuyer sur [Imprimer] pour lancer l'impression.



REMARQUE : Si un mot de passe a été défini pour la boîte personnalisée, entrer le mot de passe.

Impression de documents stockés en mémoire USB amovible

Cette fonction permet de connecter une mémoire USB amovible à la machine pour imprimer des données PDF stockées en mémoire. Elle permet une impression facile sans passer par le PC.

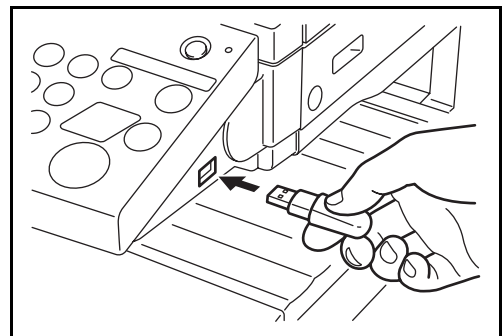
Limitations

- Seuls les fichiers PDF (version 1.4 ou ultérieure) sont imprimables.
- Les fichiers PDF compressés et les fichiers PDF cryptés ne sont pas pris en charge.
- Le fichier PDF à imprimer doit comporter une extension (.pdf).
- Le fichier PDF à imprimer doit se trouver dans le répertoire racine de la mémoire USB.
- Il n'est pas possible de sélectionner et d'envoyer plusieurs documents.
- La mémoire USB utilisée doit être formatée par cette machine.
- Brancher une mémoire USB directement dans le logement de mémoire USB. En cas d'utilisation d'un concentrateur USB, l'impression à partir de la mémoire USB peut comporter des erreurs.

Impression

Impression de documents stockés en mémoire USB amovible.

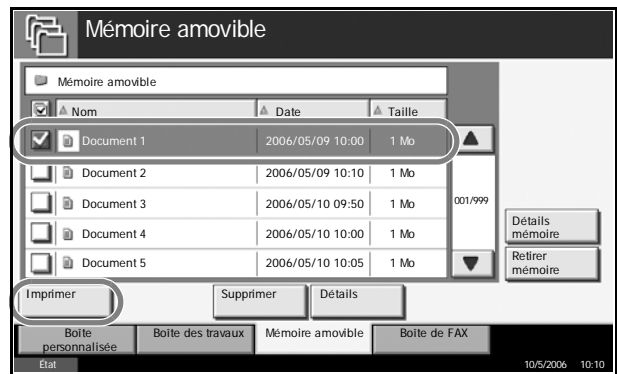
- 1** Appuyer sur la touche **Document Box**.
- 2** Brancher une mémoire USB directement dans le logement de mémoire USB.



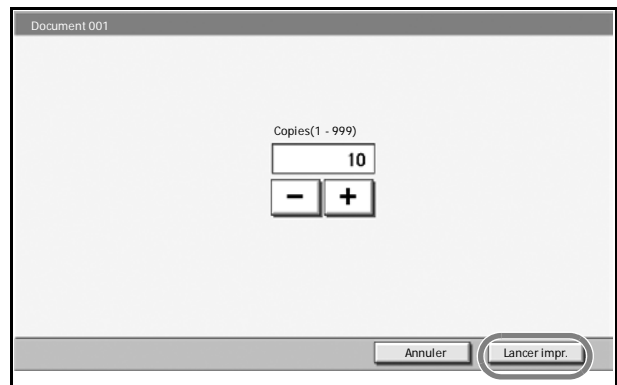
REMARQUE : La mémoire USB utilisée doit être formatée par cette machine. Si la mémoire USB utilisée est formatée par une autre machine, le message *La mémoire amovible n'est pas formatée* risque de s'afficher. Pour formater une mémoire USB, appuyer sur [Formater] et suivre les instructions qui s'affichent.

- 3** Appuyer sur [Mémoire amovible].

- 4** Sélectionner le fichier à imprimer et appuyer sur [Imprimer].



- 5** Entrer le nombre de copies souhaité en cliquant sur [+]/[-] ou à l'aide des touches numériques. Appuyer sur [Lancer impr.] pour lancer l'impression.

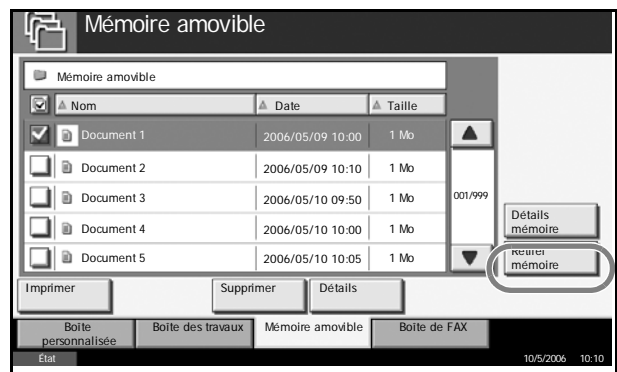


Retrait de la mémoire USB

Retirer la mémoire USB.

ATTENTION : Respecter la bonne procédure afin d'éviter d'endommager ou de détruire les données ou la mémoire USB.

- 1** Appuyer sur la touche **Document Box**.
- 2** Appuyer sur [Mémoire amovible].
- 3** Appuyer sur [Retirer mémoire].



- 4** Lorsque le message *Retrait mémoire amovible sans risque* s'affiche, retirer la mémoire USB.

Annulation/Visualisation/Modification d'un travail

Procéder comme suit pour annuler un travail d'impression ou d'envoi en cours d'exécution, pour visualiser les détails d'un travail, ou pour effectuer en priorité un travail en attente (*Annulation de priorité*).

Le traitement du travail est effectué dans l'écran *État/Annulation des travaux*.

Annulation de travaux

Cette fonction permet d'annuler un travail en cours d'impression, en cours d'envoi ou en attente.

REMARQUE : Il n'est pas possible d'annuler l'impression des documents reçus par fax.

1 Appuyer sur la touche **Statut/Annul. Job**.

2 Cliquer sur [Impressions], [Envois] ou [Stockages].

Les travaux pouvant être annulés dans chaque écran sont les suivants.

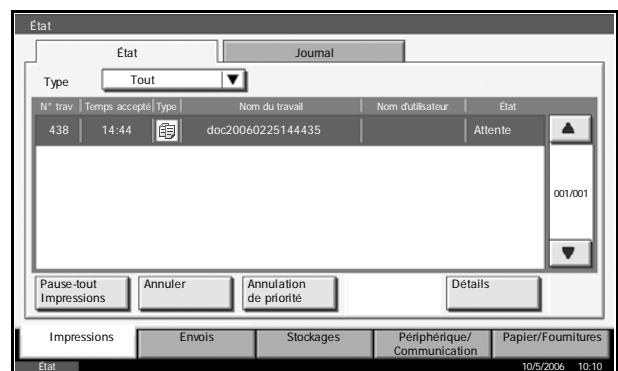
[Impressions] : 7 travaux dans Copier, Imprimante, Boîte, FAX, réception E-mail, Mémoire amovible et Rapport

[Envois] : 5 travaux dans E-mail, Dossier, TWAIN, FAX, Multiple (combinaison de méthodes *d'envoi multiple*)

[Stockages] : 3 travaux dans Numériser, Imprimante et Fax

3 Sélectionner le travail à annuler et appuyer sur [Annuler]. Le message *Annul.* s'affiche dans *État* et le travail est annulé.

REMARQUE : Le travail annulé s'affiche dans l'écran *Journal*.

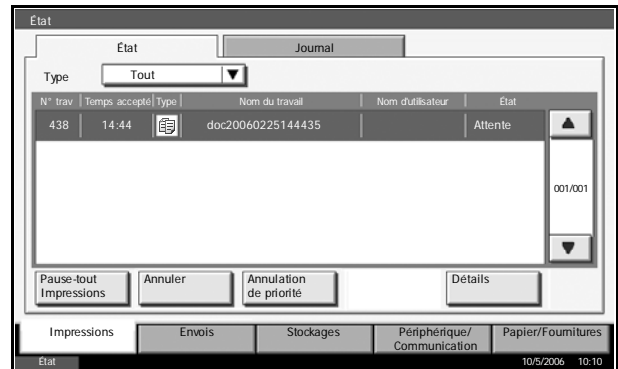


4 Recommencer les étapes 2 et 3 pour annuler d'autres travaux.

Visualisation des détails d'un travail

Cette fonction permet de visualiser l'état du travail en cours d'exécution ou en attente.

- 1 Appuyer sur la touche **Statut/Annul. Job**.
- 2 Cliquer sur [Impressions], [Envois] ou [Stockages].
- 3 Sélectionner le travail à visualiser et appuyer sur [Détails].



- 4 Les détails du travail sélectionné s'affichent.



REMARQUE : Appuyer sur [▲] ou sur [▼] pour afficher le détail suivant. Pour les envois, il est possible d'afficher le destinataire en cliquant sur [Détails] dans *Destination* ou *État/Destination*.

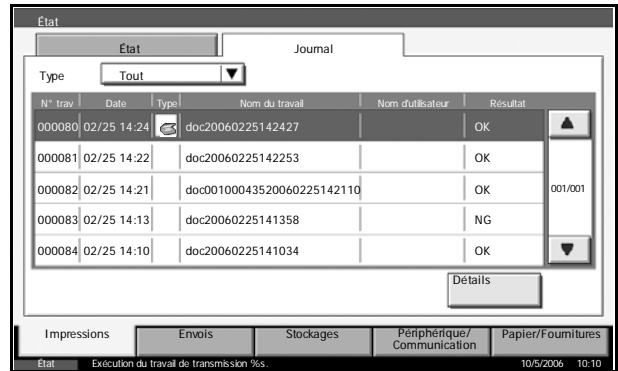
- 5 Une fois l'opération terminée, appuyer sur [Fermer].

Visualisation du Journal des travaux

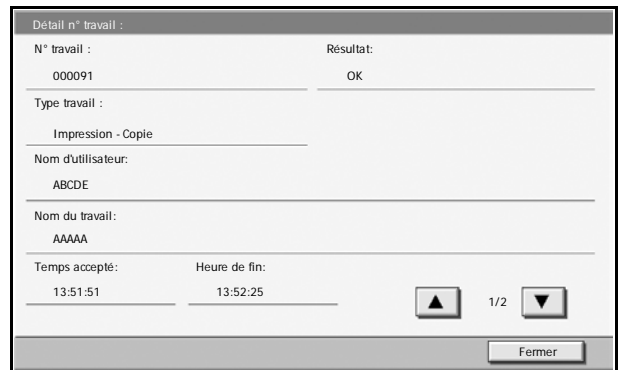
Permet d'afficher les travaux terminés ou annulés.

- 1 Appuyer sur la touche **Statut/Annul. Job**.
- 2 Cliquer sur [Impressions], [Envois] ou [Stockages]. Appuyer sur [Journal].

- 3** Sélectionner le travail à visualiser et appuyer sur [Détails].



- 4** Les détails du travail sélectionné s'affichent.



REMARQUE : Appuyer sur [▲] ou sur [▼] pour afficher le détail suivant. Dans l'onglet Envois, il est possible d'afficher le destinataire en cliquant sur [Détails] dans *Destination* ou *État/Destination*.

- 5** Une fois l'opération terminée, appuyer sur [Fermer].

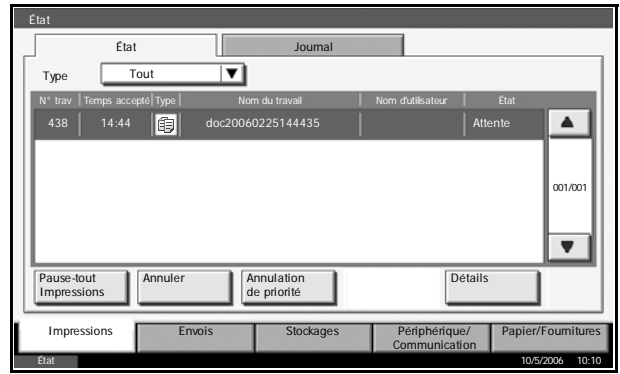
Suspension et interruption des travaux d'impression (Annulation de priorité)

Permet de suspendre temporairement l'impression en cours afin d'exécuter un travail plus urgent dans la file d'attente. Cette fonction est appelée *Annulation de priorité*.

REMARQUE : Si le travail en cours est signalé en Annulation de priorité, le nouveau travail urgent sera exécuté à la fin du travail en cours.

- 1** Appuyer sur la touche **Statut/Annul. Job**.

- 2** Sélectionner le travail qui doit devenir prioritaire et appuyer sur [Annulation de priorité]. L'impression en cours sera suspendue afin de lancer l'impression prioritaire.



- 3** L'impression suspendue reprendra à la fin du travail prioritaire.

Vérification du niveau de toner et de papier

Procéder comme suit pour vérifier le niveau de toner et de papier sur l'écran tactile.

REMARQUE : Il est également possible de vérifier le format et le type de papier chargé dans chaque source de papier.

- 1** Appuyer sur la touche **Statut/Annul. Job**.
- 2** Appuyer sur [Papier/Fournitures].
- 3** Vérifier le niveau de toner dans *Infos sur le toner* et le niveau de papier de chaque source de papier dans *Papier*.

REMARQUE : Le niveau de toner restant est indiqué par l'un des 11 niveaux entre 100 et 0 %. Plus le nombre est faible, moins il reste de toner.

Le papier restant dans le bac MF est indiqué par *100 %* ou *0 %*.

Écran Installation rapide

Dans l'écran initial des fonctions de copie et d'envoi (écran qui s'affiche immédiatement après le premier appui sur la touche **Copy** ou **Envoyer** après la mise sous tension), les fonctions habituelles et souvent utilisées sont sélectionnées et enregistrées parmi les différentes fonctions de cette machine. Cet écran initial est appelé *Écran Installation rapide*. Il est possible de régler l'enregistrement des fonctions de l'écran d'installation rapide en fonction de l'environnement de travail, afin d'optimiser le rendement.

Fonctions pouvant être enregistrées dans l'écran d'installation rapide

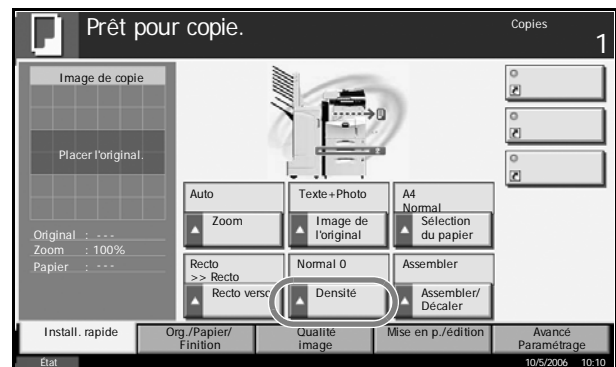
Les enregistrements par défaut et les fonctions enregistrables sont les suivants.

Fonction	Enregistrement par défaut	Fonctions enregistrables
Copie	1 : Zoom 2 : Densité 3 : Agrafage/Perforation 4 : Recto verso 5 : Image de l'original 6 : Assembler/Décaler	<ul style="list-style-type: none"> • Sélection du papier • Zoom • Agrafage/Perforation • Densité • Recto verso • Combiner • Assembler/Décaler • Image de l'original • Format de l'original
Envoi	1 : Zoom 2 : Densité 3 : Résolution 4 : Original recto verso/livre 5 : Image de l'original 6 : Sélection couleur	<ul style="list-style-type: none"> • Format de l'original • Original recto verso/livre • Format d'envoi • Orientation de l'original • Type fichier • Param. d'envoi-Densité • Image de l'original • Résolution de numérisation • Sélection couleur • Zoom

Fonction		Enregistrement par défaut	Fonctions enregistrables
Boîte de document	Stockage de documents	1 : Zoom 2 : Densité 3 : Résolution 4 : Original recto verso/livre 5 : Image de l'original 6 : Sélection couleur	<ul style="list-style-type: none"> • Couleur • Taille de stockage • Densité • Original recto verso/livre • Résolution • Zoom • Orientation de l'original • Format de l'original • Image de l'original
	Envoi à partir d'une boîte	1 : Type fichier 2 : Supprimer après envoi	<ul style="list-style-type: none"> • Type fichier • Supprimer après envoi
	Impression à partir d'une boîte	1 : Sélection du papier 2 : Supprimer après impression 3 : Agrafage/Perforation 4 : Recto verso 5 : Assembler/Décaler	<ul style="list-style-type: none"> • Sélection du papier • Agrafage/Perforation • Supprimer après impression • Assembler/Décaler • Recto verso

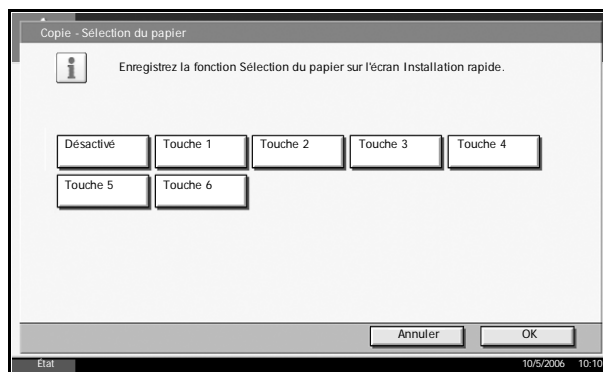
Modification des enregistrements

La procédure suivante donne un exemple de remplacement de l'enregistrement de *Densité* par *Qualité image* dans l'écran *Installation rapide* pour la copie.



- 1 Appuyer sur la touche **Menu Système**.
- 2 Appuyer sur [Copy], [Modifier] dans *Enreg. install. rapide*, puis sur [Modifier] dans *Image de l'original*.

- 3** Cliquer sur [Touche 4] pour sélectionner la touche de remplacement.



- 4** Appuyer sur [OK]. La fonction Qualité image est enregistrée.

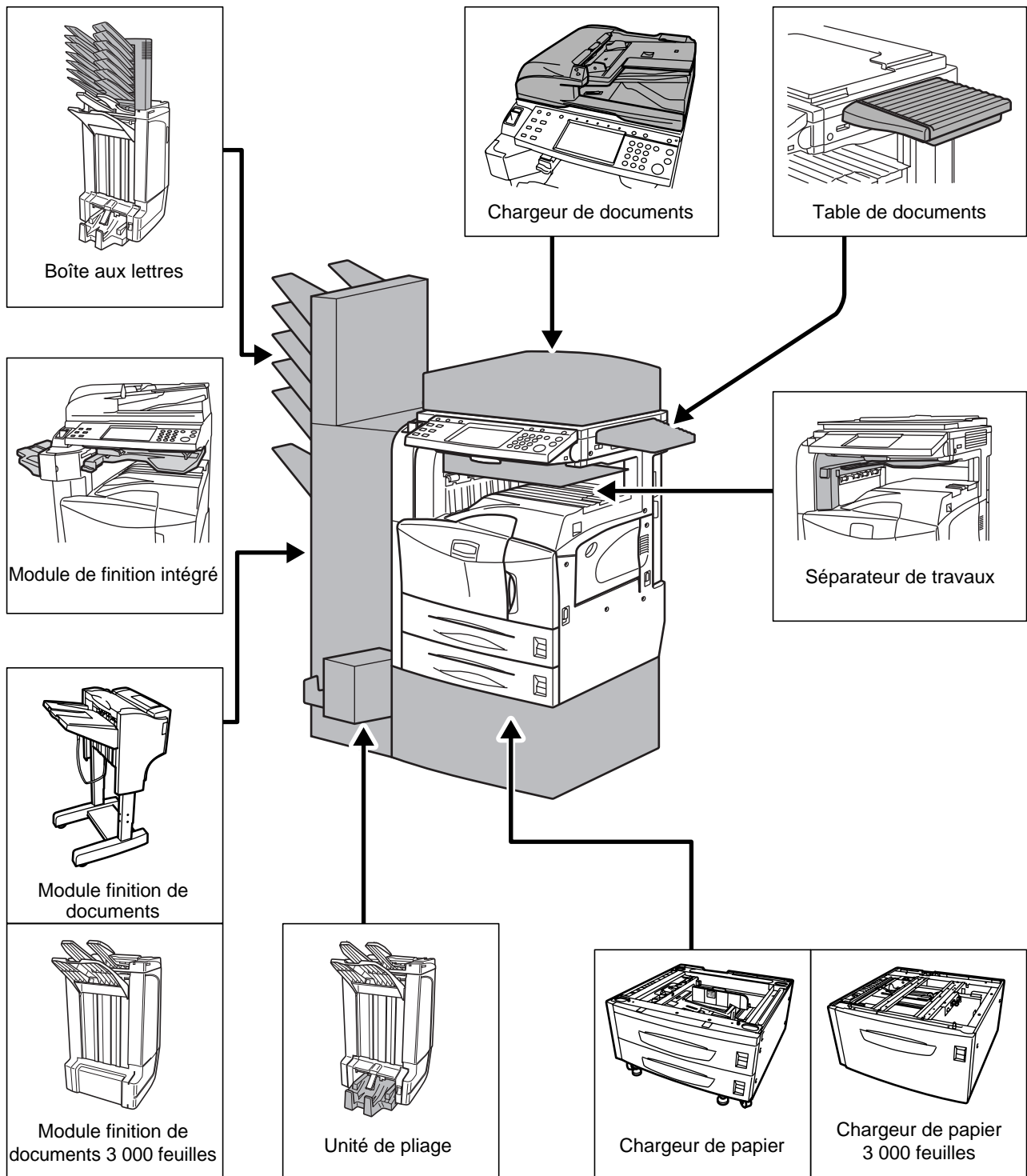
4 Matériel en option

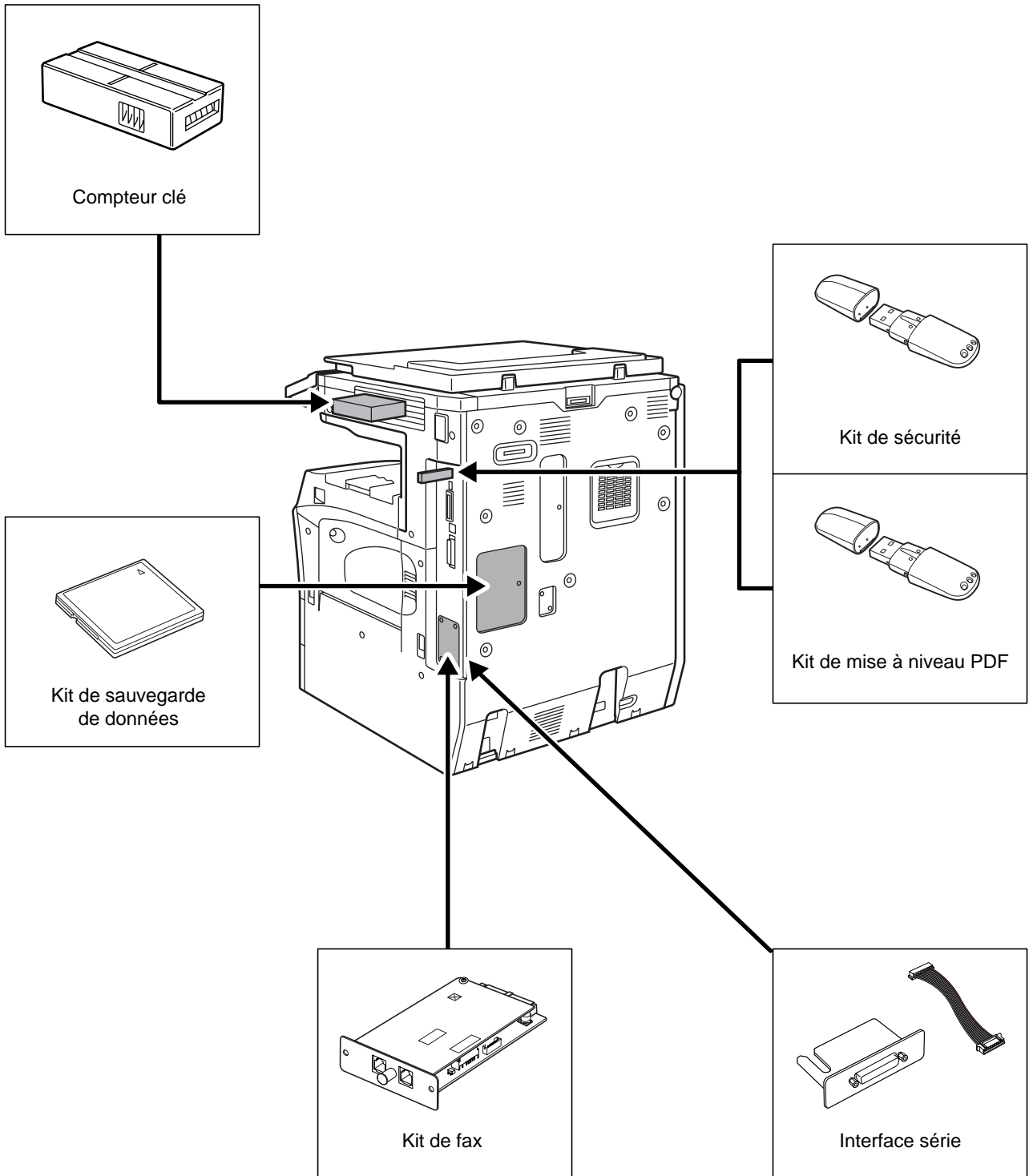
Ce chapitre présente les équipements en option disponibles pour cette machine.

- Présentation des équipements en option 4-2
- Chargeur de documents..... 4-4
- Chargeur de papier 4-4
- Chargeur de papier 3 000 feuilles 4-5
- Module de finition intégré 4-5
- Module finition de documents..... 4-9
- Module finition de documents 3 000 feuilles 4-9
- Séparateur de travaux..... 4-10
- Table de documents 4-10
- Compteur clé4-11
- Kit de fax 4-12
- Kit de sauvegarde de données..... 4-12
- Kit de sécurité (clé USB) 4-13
- Interface série..... 4-13
- Kit de mise à niveau (clé USB)..... 4-14

Présentation des équipements en option

Les équipements en option suivants sont disponibles pour cette machine.

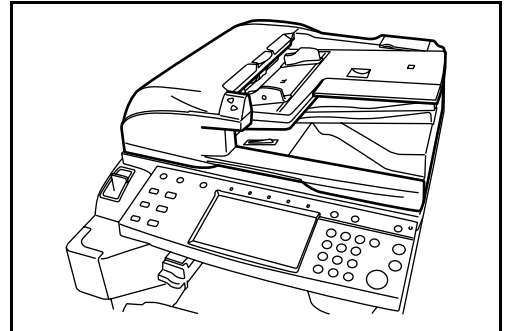




Chargeur de documents

Numérise automatiquement les originaux. Permet également la copie recto verso et la copie divisée.

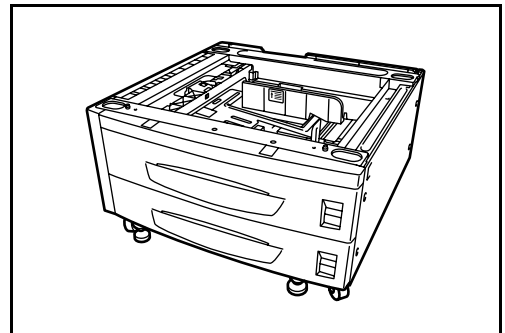
Pour le fonctionnement du chargeur de documents, se reporter à la section *Chargement des originaux dans le chargeur de documents à la page 2-27.*



Chargeur de papier

Permet d'ajouter deux magasins supplémentaires comme le magasin 2 de la machine. La capacité papier et la méthode de chargement sont les mêmes que pour les magasins 1 et 2. Se reporter à la section *Chargement du papier dans les magasins à la page 2-16.*

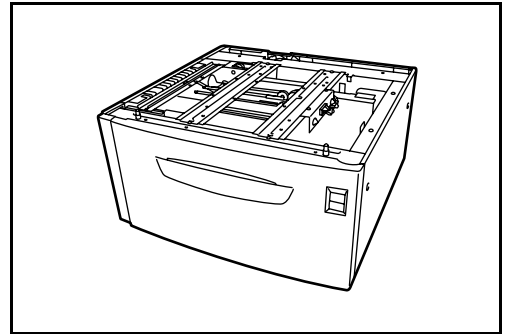
REMARQUE : Le capot gauche 3 situé sur le côté gauche du chargeur de papier est destiné à l'élimination des brouillages papier.



Chargeur de papier 3 000 feuilles

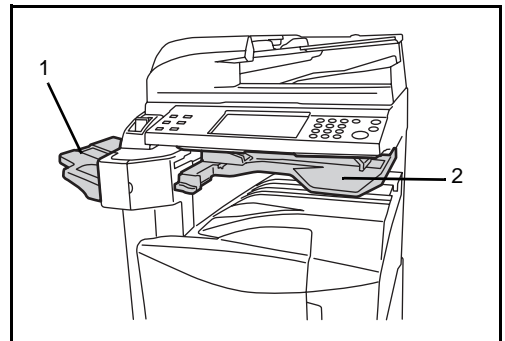
Outre les magasins standard, il est possible d'ajouter un chargeur de papier d'une capacité de 3 000 feuilles de format A4, Letter ou B5.

REMARQUE : Le capot gauche 3 situé sur le côté gauche du chargeur de papier 3 000 feuilles est destiné à l'élimination des bourrages papier.



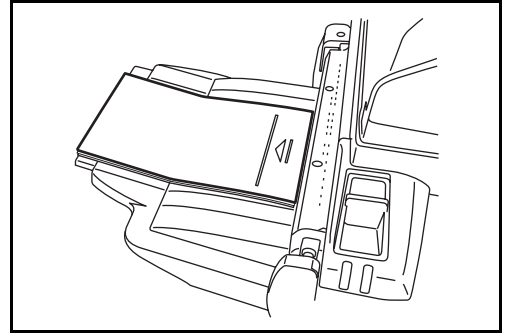
Module de finition intégré

Le module de finition intégré accepte un gros volume d'impressions. Il offre une méthode de tri pratique, et permet également d'agrafer les impressions terminées.

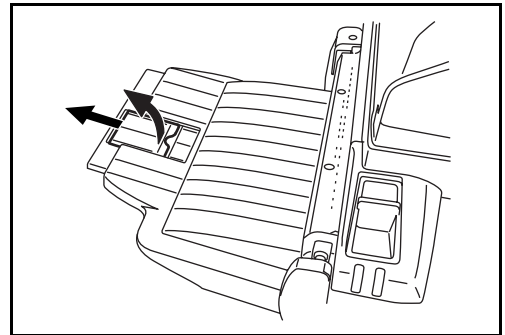


- 1 Plateau du module de finition
- 2 Plateau de traitement du module de finition

Le plateau du module de finition est utilisé comme plateau de sortie des impressions triées.

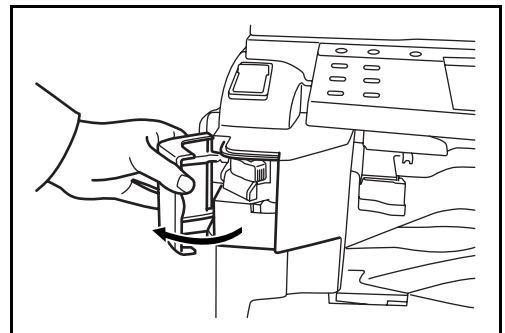


Utiliser le plateau auxiliaire pour trier les impressions Ledger, Legal, 8,5x13,5", Oficio II, Letter, Letter-R, A3, B4, A4, A4-R, B5, Folio, 8K ou 16K.

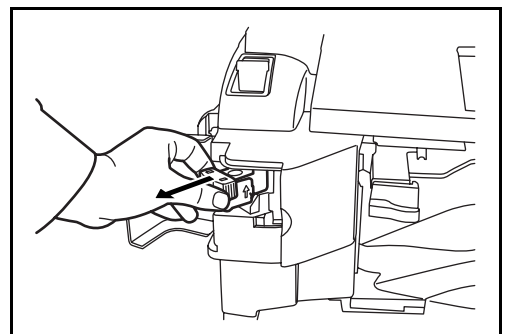


Ajout d'agrafes

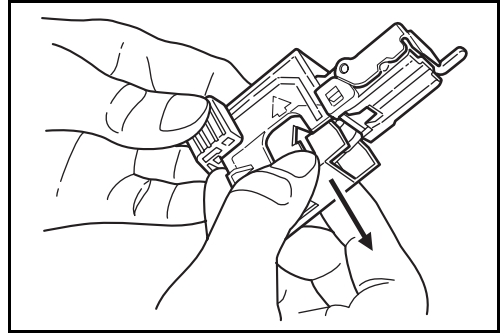
- 1** Ouvrir le capot avant de l'agrafeuse en tirant.



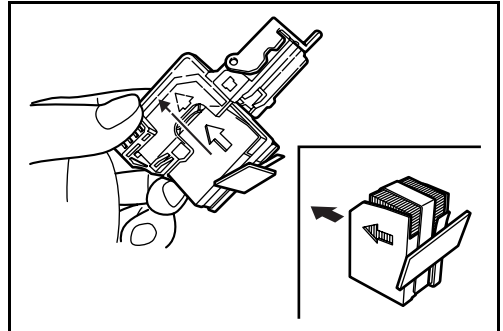
- 2** Sortir le porte-agrafes.



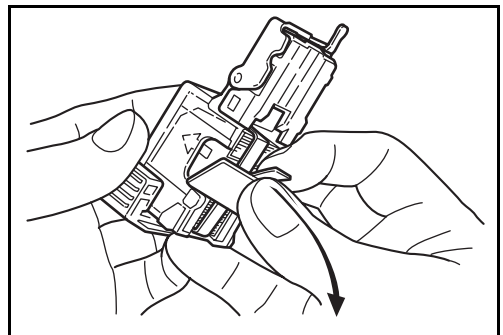
- 3** Retirer la boîte d'agrafes vide du porte-agrafes.



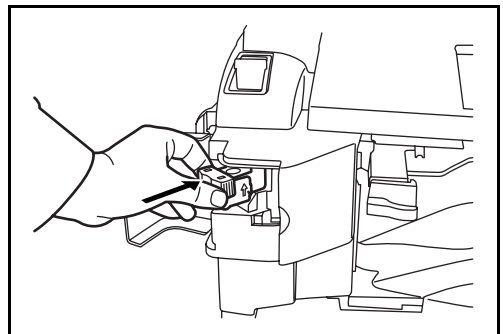
- 4** Tenir le porte-agrafes dans la main gauche et une boîte d'agrafes neuves dans la main droite et insérer la boîte d'agrafes dans le porte-agrafes, dans le sens de la flèche.



- 5** Pousser la boîte d'agrafes à fond. Retirer la bande de papier de la boîte d'agrafes.



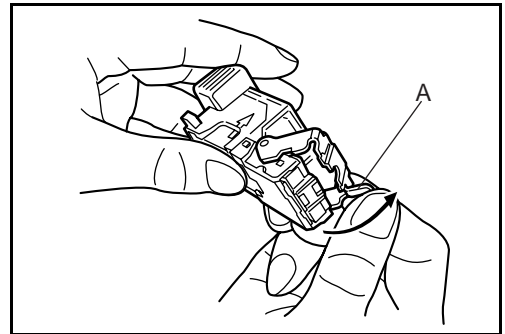
- 6** Insérer le porte-agrafes dans le logement de l'agrafeuse. Lorsqu'il est correctement installé, le verrouillage du porte-agrafes est signalé par un déclic.



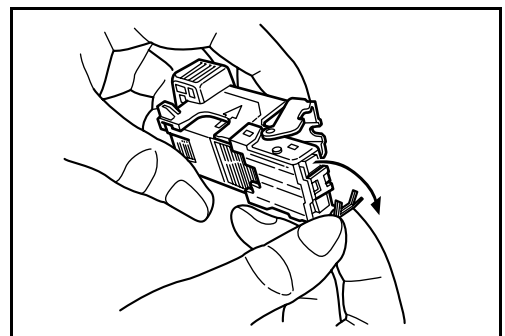
Déblocage de l'agrafeuse

1 Sortir le porte-agrafes comme indiqué aux étapes 1 et 2 de la rubrique *Ajout d'agrafes*.

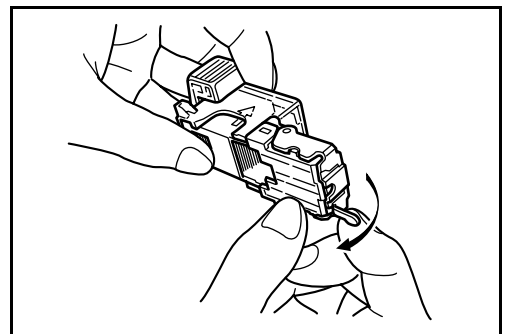
2 Maintenir le levier A à l'avant du porte-agrafes et soulever le cache avant.



3 Retirer l'agrafe bloquée dans la cartouche (côté chargement des agrafes).



4 Abaisser le cache avant du porte-agrafes.



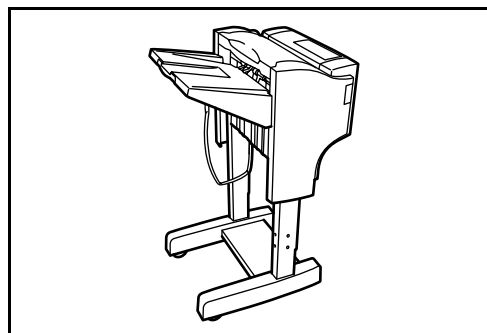
5 Remettre le cache en place. Lorsqu'il est correctement installé, le verrouillage du cache est signalé par un déclic.

6 Soulever légèrement l'agrafeuse, puis l'abaisser et la remettre en place.

7 Fermer le capot avant de l'agrafeuse.

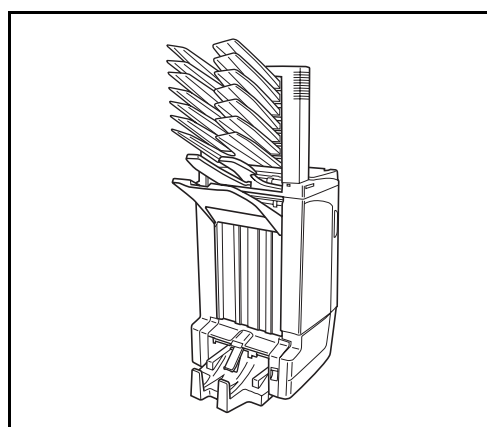
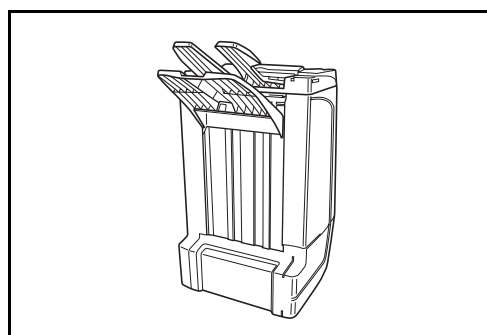
Module finition de documents

Le module finition de documents accepte un gros volume de copies. Il offre une méthode de tri pratique, et permet également d'agrafer les copies terminées. Pour plus d'informations, se reporter au *Manuel d'utilisation du module finition de documents*.



Module finition de documents 3 000 feuilles

Le module finition de documents accepte un gros volume de copies. Il offre une méthode de tri pratique, et permet également d'agrafer des jeux terminés et de perforer les copies si les accessoires en option correspondants sont installés. Pour plus d'informations, se reporter au *Manuel d'utilisation du module finition de documents 3 000 feuilles*. Une boîte aux lettres et une unité de pliage sont également disponibles en option.



Séparateur de travaux

Sépare le papier en fonction du réceptacle de sortie afin de faciliter le tri. Spécifier un réceptacle de sortie pour les travaux de copie ou d'impression. Ou, spécifier le réceptacle de sortie par défaut pour l'impression à partir de l'écran copier ou boîte de document, l'impression à partir du PC et l'impression des fax reçus.

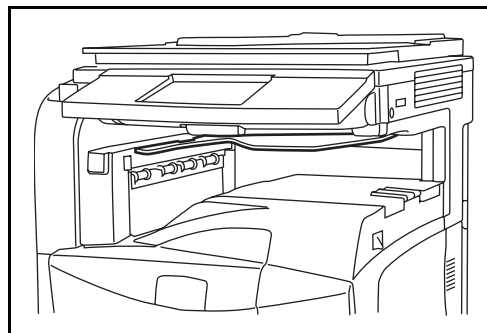
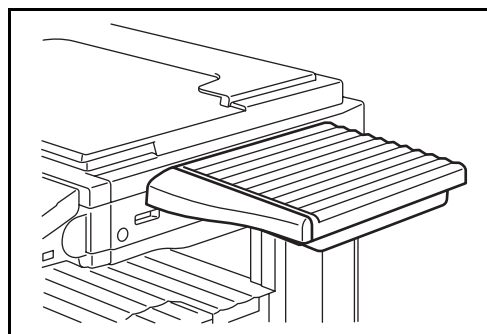


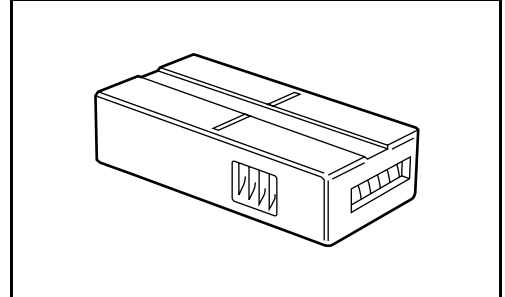
Table de documents

Utilisée pour placer des originaux ou d'autres documents pendant l'utilisation de la machine. Elle est dotée d'un tiroir permettant de poser les trombones.



Compteur clé

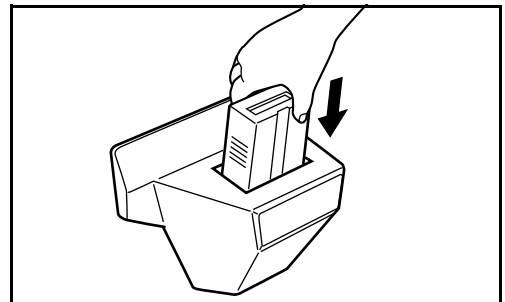
Le compteur clé permet de contrôler l'utilisation de la machine. Il permet la gestion centralisée des volumes de copies pour les différents services d'une grande entreprise.



Utilisation du compteur clé

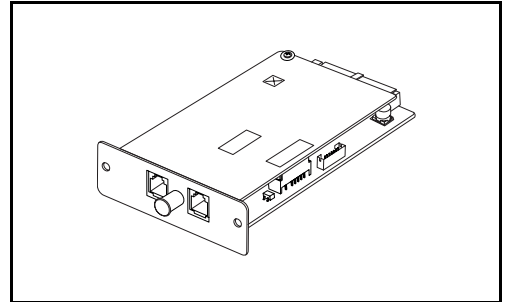
Insérer le compteur clé correctement dans le logement correspondant.

REMARQUE : Lorsque la fonction de compteur est activée, les copies ne peuvent être effectuées que lorsqu'un compteur clé est inséré dans la machine. Dans le cas contraire, le message *Insérer le compteur clé* s'affiche.



Kit de fax

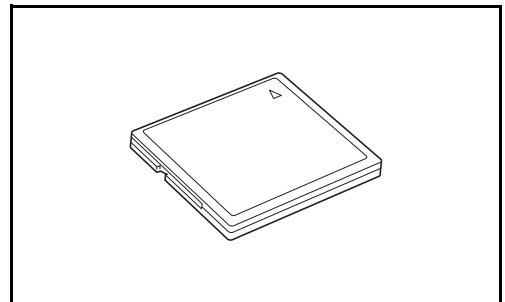
L'installation du kit de fax active la fonction d'envoi et de réception de fax. Il est également possible d'utiliser le kit de fax en combinaison avec un ordinateur pour bénéficier des fonctions de fax réseau. Si deux exemplaires du kit de fax sont installés, ils peuvent être connectés à deux lignes téléphoniques afin d'accélérer la transmission des messages vers un certain nombre de destinataires. Si l'une des lignes est réservée à la réception, il est possible de réduire le temps d'occupation de ligne. Pour plus de précisions, se reporter au *Manuel d'utilisation du kit de fax*.



Kit de sauvegarde de données

Carte à micro puce permettant de stocker les données de réception de fax et les données de comptabilisation des travaux. L'installation et la dépose de la carte sont effectuées par nos techniciens de maintenance.

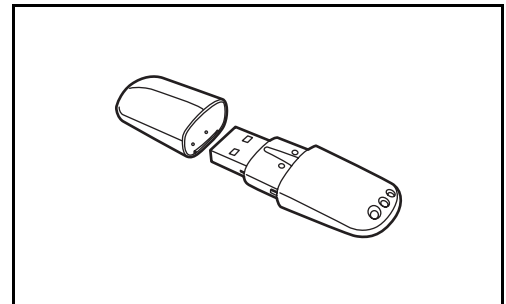
Se reporter au *Manuel d'utilisation du kit de fax* pour connaître les données de réception de fax à sauvegarder.



Kit de sécurité (clé USB)

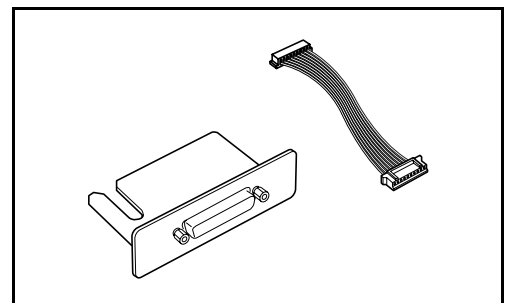
Cette machine stocke temporairement les données lues sur un disque dur interne. Après utilisation pour l'impression, ces données ne sont plus accessibles via le panneau de commande, mais un enregistrement demeure sur le disque dur jusqu'à ce qu'elles soient remplacées par d'autres données. Par conséquent, les données peuvent normalement être récupérées en accédant au disque dur à l'aide d'outils spécialisés.

Afin d'améliorer la sécurité, le kit de sécurité empêche cette possibilité en écrasant toutes les données inutiles de la zone de stockage du disque dur, afin qu'elles ne soient plus récupérables.



Interface série

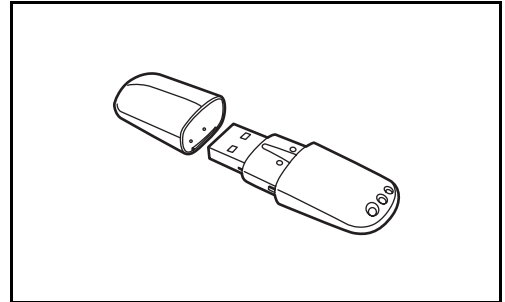
Cette interface permet de raccorder des imprimantes équipées de ports d'interface série. Elle prend en charge l'interface série RS-232C.



Kit de mise à niveau (clé USB)

Lors de l'enregistrement d'originaux lus sous forme de fichiers PDF, ce kit permet la création et le cryptage de fichiers PDF compressés.

Utiliser le cryptage des fichiers PDF pour personnaliser les droits d'accès avec mot de passe.



5 Maintenance

Ce chapitre décrit les procédures de nettoyage et de remplacement du toner.

- Nettoyage 5-2
- Remplacement de la cartouche de toner et du bac de récupération de toner 5-7

Nettoyage

Nettoyer la machine régulièrement afin d'assurer une qualité de copie optimale.



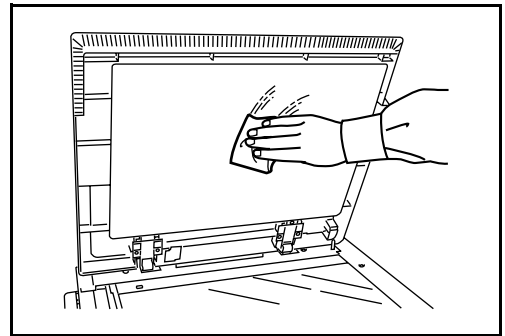
ATTENTION : Pour des raisons de sécurité, toujours débrancher le cordon d'alimentation avant de nettoyer la machine.

Capot des originaux / Chargeur de documents / Glace d'exposition

Essuyer l'arrière du capot des originaux, l'intérieur du chargeur de documents et la glace d'exposition à l'aide d'un chiffon doux imbibé d'alcool ou de détergent doux.

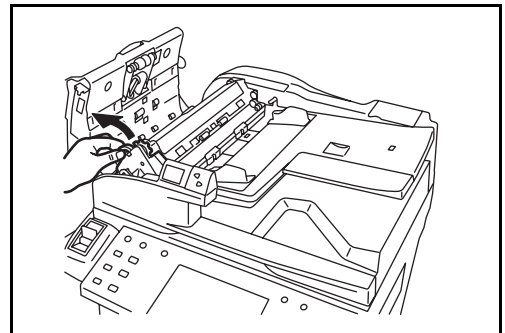
IMPORTANT : Ne pas utiliser de diluant ou de solvants organiques.

Capot des originaux

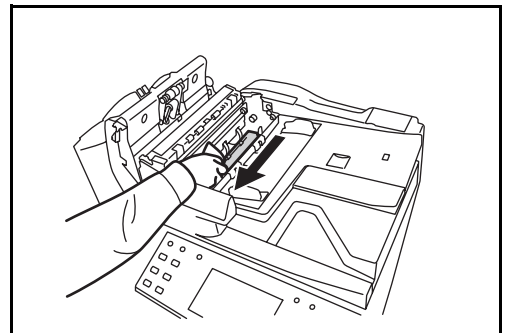


Chargeur de documents

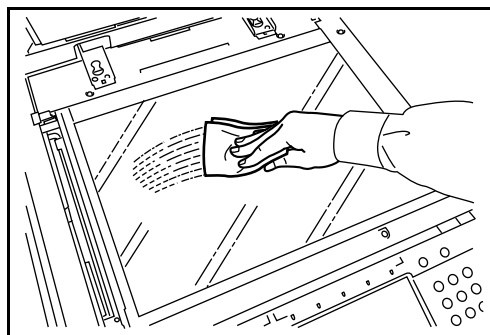
- 1** Ouvrir le capot supérieur du chargeur de documents et maintenir le levier vert pour soulever l'unité d'inversion.



- 2** Nettoyer le rouleau blanc à l'intérieur de la base.



Glace d'exposition



Verre fendu

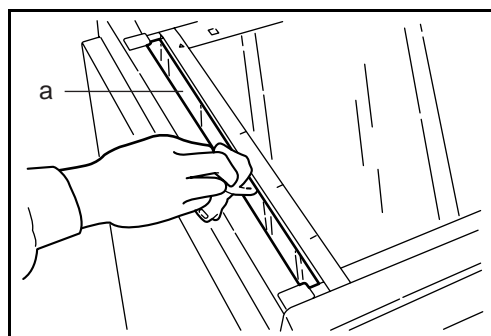
Si des traces noires ou de la saleté apparaissent sur les copies lors de l'utilisation du chargeur de documents en option, nettoyer le verre fendu à l'aide du chiffon fourni. Le message *Nettoyer le verre fendu.* s'affiche si le verre fendu doit être nettoyé.



IMPORTANT : Nettoyer délicatement le verre fendu à l'aide d'un chiffon sec. Pour éliminer les traces de colle ou d'encre, humecter un chiffon d'alcool et passer celui-ci sur les traces sans frotter. Ne pas utiliser d'eau, de diluant ou de solvants organiques.

1 Retirer le chiffon de nettoyage de son compartiment.

2 Ouvrir le chargeur de documents et essuyer le verre fendu (a).

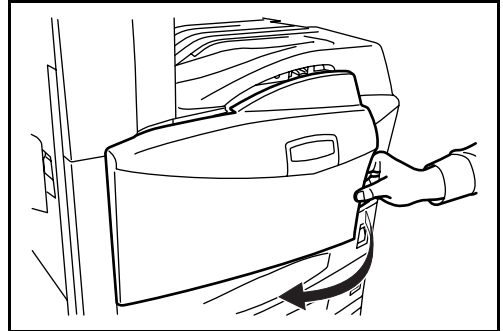


3 Appuyer sur [Fin].

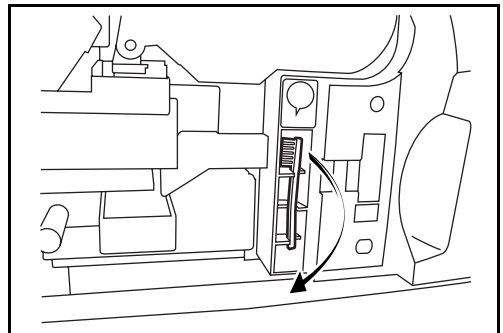
Séparateur

Nettoyer le séparateur régulièrement (au moins une fois par mois) afin d'assurer une qualité de copie optimale.

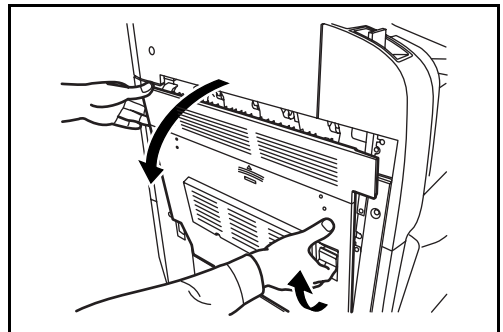
- 1** Ouvrir le capot avant.



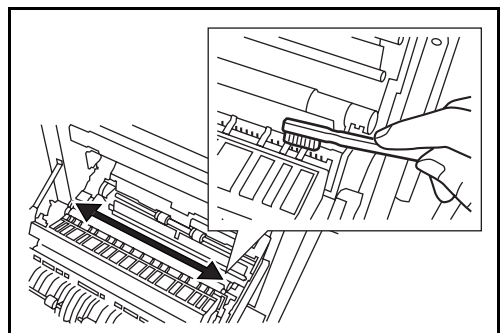
- 2** Sortir la brosse de nettoyage (bleue).



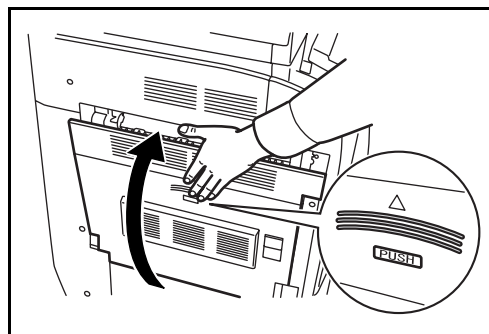
- 3** Soulever le levier du capot gauche 1 et ouvrir le capot gauche 1.



- 4** Comme illustré sur la figure, nettoyer le séparateur en déplaçant la brosse d'un côté à l'autre le long du séparateur.

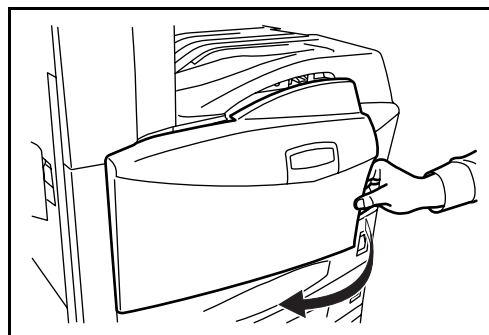


- 5** Ranger la brosse de nettoyage, appuyer sur l'endroit indiqué du capot avant et du capot gauche 1 pour le refermer.

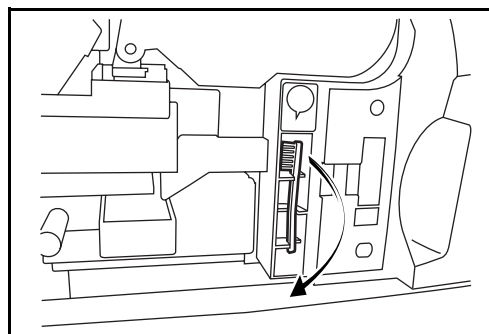


Rouleau de transfert

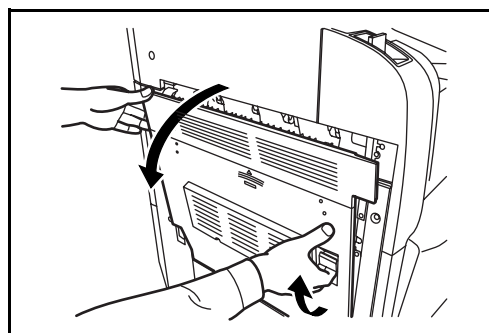
- 1** Ouvrir le capot avant.



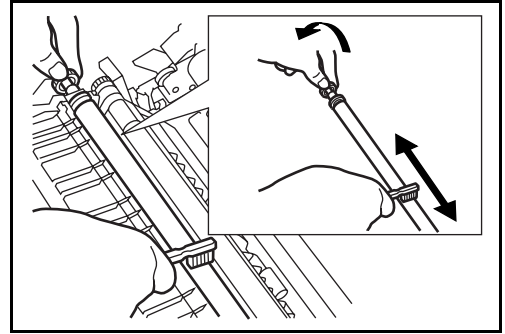
- 2** Sortir la brosse de nettoyage (bleue).



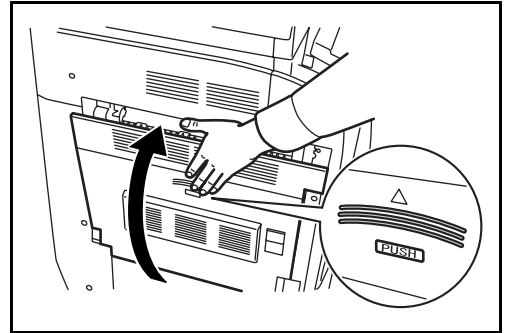
- 3** Soulever le levier du capot gauche 1 et ouvrir le capot gauche 1.



- 4** Comme illustré sur la figure, nettoyer le rouleau de transfert en déplaçant la brosse d'un côté à l'autre le long du rouleau tout en le faisant tourner à l'aide de la molette située à l'extrémité gauche du rouleau.



- 5** Ranger la brosse de nettoyage, appuyer sur l'endroit indiqué du capot avant et du capot gauche 1 pour le refermer.



Remplacement de la cartouche de toner et du bac de récupération de toner

Lorsque l'écran tactile affiche le message *Ajoutez du toner*, remplacer le toner immédiatement, bien qu'il soit encore possible d'effectuer quelques copies. Lors du remplacement de la cartouche de toner, remplacer également le bac de récupération de toner.

Lors de chaque remplacement de la cartouche de toner, ne pas oublier de nettoyer les composants comme indiqué ci-après. Des composants sales risquent de nuire à la qualité des copies.

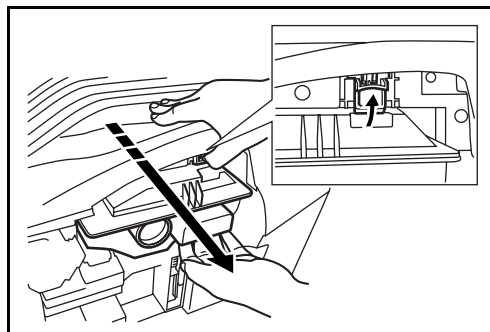
! **ATTENTION** : Ne pas tenter d'incinérer la cartouche de toner ou le bac de récupération de toner. Des étincelles dangereuses risquent de provoquer des brûlures.

! **ATTENTION** : Ne pas tenter de forcer l'ouverture ni de détruire la cartouche de toner ou le bac de récupération de toner.

1 Ouvrir le capot avant.



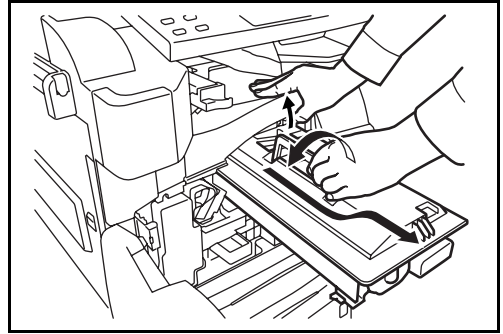
2 Soulever le levier de verrouillage de la cartouche de toner et tirer délicatement la cartouche usagée jusqu'à ce que la poignée soit visible.



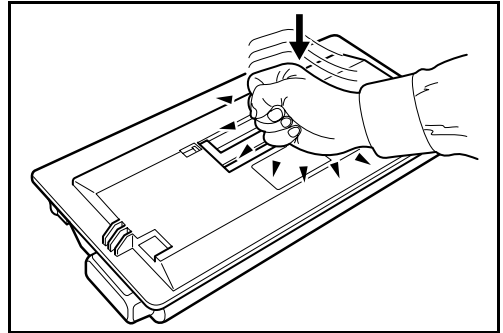
! **AVERTISSEMENT** : La machine contient des composants sous tension. Prendre toutes les précautions nécessaires pour éviter les risques d'électrocution.

! **ATTENTION** : Ne pas sortir complètement la cartouche de toner pour éviter de la faire tomber.

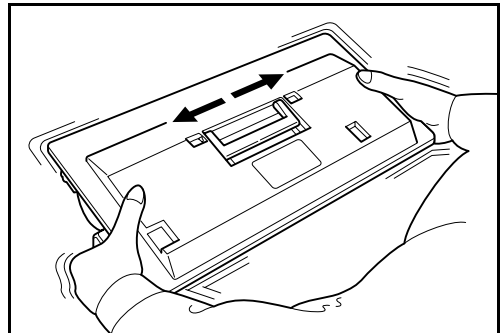
- 3** Maintenir le levier de verrouillage levé, prendre la cartouche par sa poignée et la sortir délicatement.



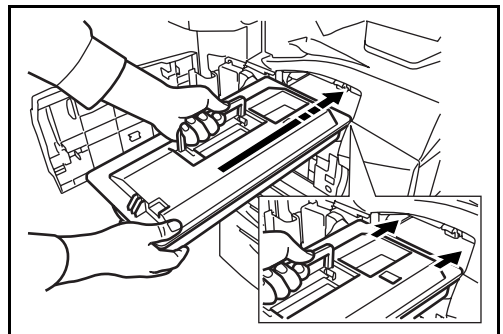
- 4** Déballer une cartouche de toner neuve et tapoter le couvercle 5 ou 6 fois.



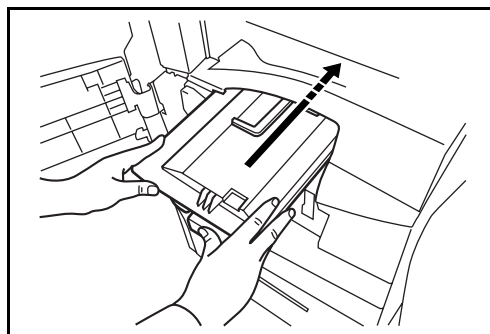
- 5** Agiter la cartouche de toner une dizaine de fois dans le sens horizontal afin de bien répartir le toner.



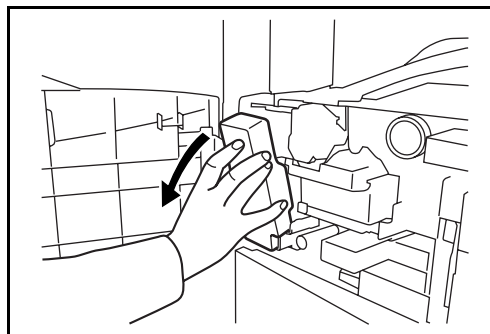
- 6** Insérer délicatement la cartouche de toner en la tenant par sa poignée.



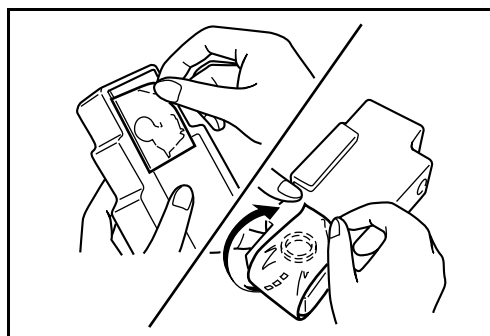
- 7** Repousser la cartouche de toner avec les deux mains jusqu'à ce qu'elle se verrouille.



- 8** Retirer le bac de récupération de toner.



- 9** Boucher l'ouverture du bac de récupération de toner.

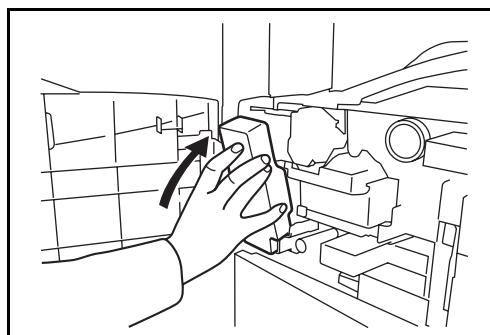


ATTENTION : Ne pas tenter d'incinérer la cartouche de toner ou le bac de récupération de toner. Des étincelles dangereuses risquent de provoquer des brûlures.

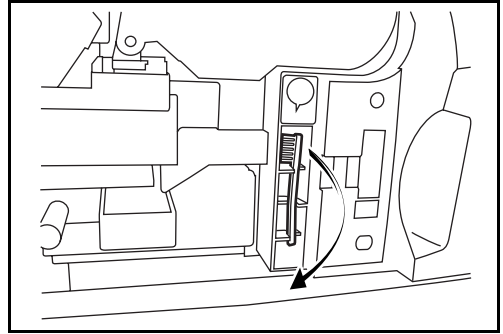


ATTENTION : Ne pas tenter de forcer l'ouverture ni de détruire la cartouche de toner ou le bac de récupération de toner.

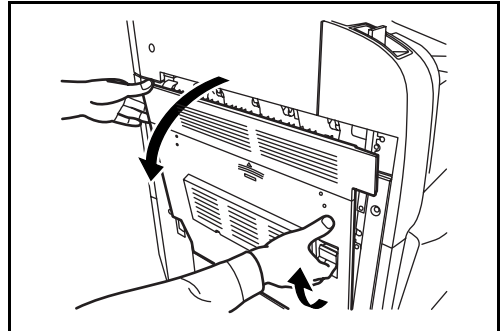
- 10** Installer un nouveau bac de récupération de toner.



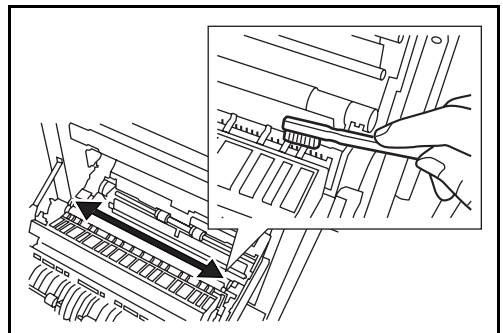
- 11** Sortir la brosse de nettoyage (bleue).



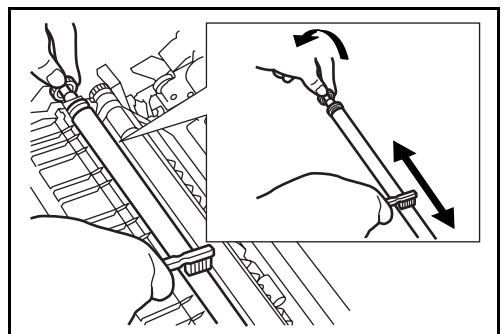
- 12** Soulever le levier du capot gauche 1 et ouvrir le capot gauche 1.



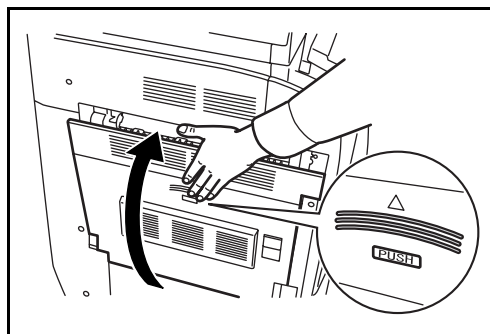
- 13** Comme illustré sur la figure, nettoyer le séparateur en déplaçant la brosse d'un côté à l'autre le long du séparateur.



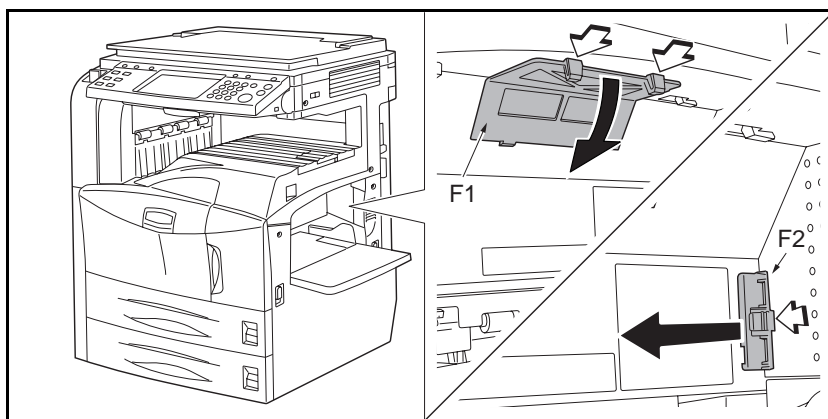
- 14** Comme illustré sur la figure, nettoyer le rouleau de transfert en déplaçant la brosse d'un côté à l'autre le long du rouleau tout en le faisant tourner à l'aide de la molette située à l'extrémité gauche du rouleau.



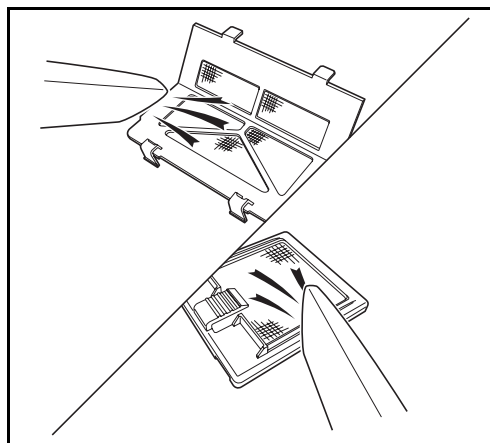
- 15** Ranger la brosse une fois le nettoyage terminé. Refermer le capot avant et le capot gauche 1 en appuyant à l'endroit indiqué.



- 16** Ouvrir le bac MF et sortir les filtres F1 et F2.



- 17** Nettoyer les filtres à l'aide d'un aspirateur, par exemple.



ATTENTION : Ne pas laver les filtres à l'eau. Ne pas utiliser la brosse de nettoyage fournie.

18 Remettre les filtres en place et refermer le bac MF.

REMARQUE : Renvoyer la cartouche de toner usagée et le bac de récupération de toner au concessionnaire ou au service après-vente. Les cartouches de toner et les bacs de récupération de toner seront recyclés ou détruits conformément aux réglementations locales.

6 Dépannage

Ce chapitre explique comment résoudre les problèmes éventuels.

- Résolution des dysfonctionnements..... 6-2
- Réponse aux messages d'erreur 6-5
- Résolution des incidents papier6-11

Résolution des dysfonctionnements

Le tableau ci-dessous fournit des recommandations générales de résolution des problèmes.

En cas de problème avec la machine, consulter les vérifications et effectuer les procédures décrites dans les pages suivantes. Si le problème persiste, contacter le technicien de maintenance.

Problème	Vérifications	Actions correctives	Page de référence
Le panneau de commande ne répond pas lorsque la machine est sous tension.	La machine est-elle branchée ?	Brancher le cordon d'alimentation sur une prise de courant.	—
Aucune copie n'est produite lorsque j'appuie sur la touche Départ.	Un message s'affiche-t-il sur l'écran tactile ?	Déterminer la réponse appropriée au message et prendre les mesures adéquates.	6-5
Des feuilles vierges sont éjectées.	Les originaux ont-ils été chargés correctement ?	Lors de la mise en place des originaux sur la glace d'exposition, les positionner face dessous et les aligner sur les plaques d'indication du format de l'original.	2-25
		Placer les originaux face dessus dans le processeur de document en option.	2-27
Les impressions sont trop claires.	La machine est-elle en mode Densité auto ?	Définir le niveau de densité correct pour la densité automatique.	—
	La machine est-elle en mode Densité manuelle ?	Utiliser [Qualité de l'image] pour définir le niveau de densité correct.	3-9
		Lors de la modification du niveau de densité par défaut, régler la densité manuellement et choisir le niveau souhaité.	—
	Le toner est-il réparti uniformément dans la cartouche de toner ?	Secouer la cartouche de toner horizontalement une dizaine de fois.	5-7
	Un message demandant d'ajouter du toner s'affiche-t-il ?	Remplacer la cartouche de toner.	5-7
	Le papier est-il mouillé ?	Remplacer le papier par du papier neuf.	2-25

Problème	Vérifications	Actions correctives	Page de référence
Les impressions sont trop sombres.	La machine est-elle en mode Densité auto ?	Définir le niveau de densité correct pour la densité automatique.	—
	La machine est-elle en mode Densité manuelle ?	Utiliser [Qualité de l'image] pour définir le niveau de densité correct.	3-9
		Lors de la modification du niveau de densité par défaut, régler la densité manuellement et choisir le niveau souhaité.	—
Les impressions ne sont pas claires.	La qualité image choisie pour l'original est-elle appropriée ?	Sélectionner la qualité de l'image appropriée.	3-9
Les impressions sont sales.	La glace d'exposition ou le processeur de document sont-ils sales ?	Nettoyer la glace d'exposition ou le processeur de document.	5-2
	Le rouleau de transfert est-il sale ?	Nettoyer le rouleau de transfert à l'aide de la brosse.	5-5
Les images sont de travers.	Les originaux ont-ils été positionnés correctement ?	Lors de la mise en place des originaux sur la glace d'exposition, les aligner sur les plaques d'indication du format de l'original.	2-27
		Lors de la mise en place d'originaux dans le processeur de document en option, aligner les guides de largeur avant de positionner les originaux.	2-27
	Le papier a-t-il été chargé correctement ?	Vérifier la position des guides de largeur du papier.	2-28
Les bourrages papier sont fréquents.	Le papier a-t-il été chargé correctement ?	Charger le papier correctement.	2-16
	Le type de papier est-il pris en charge ? Le papier est-il en bon état ?	Retirer le papier, le retourner et le recharger.	2-16
	Le papier est-il tuilé, plié ou froissé ?	Remplacer le papier par du papier neuf.	2-16
	Des feuilles ou des morceaux de papier sont-ils coincés dans la machine ?	Retirer le papier coincé.	6-11
Des lignes noires apparaissent sur les impressions sortant du processeur de document.	Le verre fendu est-il sale ?	Nettoyer le verre fendu.	5-3

Problème	Vérifications	Actions correctives	Page de référence
Les impressions sont froissées.	Le séparateur est-il sale ?	Nettoyer le séparateur.	5-4
Impossible d'imprimer.	La machine est-elle branchée ?	Brancher le cordon d'alimentation sur une prise de courant.	—
	La machine est-elle sous tension ?	Mettre la machine sous tension.	3-2
	Le câble d'imprimante est-il branché ?	Brancher le câble d'imprimante correctement.	2-3
	La machine était-elle sous tension avant le branchement du câble d'imprimante ?	Mettre la machine sous tension après avoir branché le câble d'imprimante.	2-3
Les documents ne s'impriment pas correctement.	Le logiciel applicatif agréé est-il installé sur le PC ?	Vérifier que le pilote d'imprimante ou le logiciel agréé est installé.	—

Réponse aux messages d'erreur

Si l'un des messages suivants s'affiche sur l'écran tactile, suivre la procédure correspondante.

Alphanumérique

Message d'erreur	Vérifications	Actions correctives	Page de référence
Agrafage impossible sur ce type papier.	Un type ou un format de papier ne pouvant pas être agrafé a-t-il été sélectionné ?	Sélectionner le type ou le format de papier disponible. Appuyer sur [Continuer] pour imprimer sans agrafage.	—
Ajoutez des agrafes.	Le module de finition intégré, l'unité de pliage au centre, le module finition de documents ou le module de finition de documents 3 000 feuilles manquent-ils d'agrafes ?	En cas de manque d'agrafes, la machine s'arrête et l'emplacement est indiqué sur l'écran tactile. Laisser la machine sous tension et suivre les instructions pour remplacer la boîte d'agrafes. Appuyer sur [Continuer] pour imprimer sans agrafage. Appuyer sur [Annuler] pour annuler le travail.	4-6
Ajoutez du papier au bac MF.	Le papier contenu dans le bac MF correspond-t-il au format sélectionné ?	Charger le papier du format et du type affichés sur l'écran tactile dans le bac MF.	2-18
Ajoutez du papier au magasin #.	Le magasin indiqué est-il vide ?	Charger du papier.	2-15
Ajoutez du toner.	—	Remplacer la cartouche de toner.	5-7
Avertissement de mémoire insuffisante.	—	Numérisation impossible car la mémoire est insuffisante. Appuyer sur [Continuer] pour imprimer les pages numérisées. Appuyer sur [Annuler] pour annuler le travail d'impression.	—
Bourrage papier.	—	En cas d'incident papier, la machine s'arrête et son emplacement est indiqué sur l'écran tactile. Laisser la machine sous tension et suivre les instructions pour éliminer le bourrage papier.	6-11

Message d'erreur	Vérifications	Actions correctives	Page de référence
Connexion serveur d'authent impossible.	–	Appuyer sur [Fin] et vérifier les éléments suivants. <ul style="list-style-type: none"> • Enregistrement sur serveur d'authentification • Mot de passe et adresse de l'ordinateur pour le serveur d'authentification • Connexion réseau 	—
Décalage impossible sur ce type de papier.	Le format papier sélectionné (A3, B4, A5-R, B6-R, Folio, Ledger, Statement et 8K) est-il incompatible avec le décalage ?	Sélectionner le format de papier disponible. Appuyer sur [Continuer] pour imprimer sans décalage.	3-16
Échec de spécification de compt. trav.	–	Le travail est annulé. Appuyer sur [Fin].	—
Échec de stockage données rétention trav.	–	Le travail est annulé. Appuyer sur [Fin].	—
Erreur carte mémoire.	–	La carte mémoire a été retirée pendant l'accès. Insérer la carte mémoire.	—
		La carte mémoire insérée n'est pas valide. Insérer la bonne carte mémoire.	—
		Erreur carte mémoire. Impossible de continuer le travail. Le travail est annulé. Appuyer sur [Fin].	—
Erreur d'agrafes.	–	En cas d'erreur d'agrafes, la machine s'arrête et l'action corrective est indiquée sur l'écran tactile. Laisser la machine sous tension et suivre les instructions pour corriger le problème.	—
Erreur d'envoi.	–	Le travail est annulé. Appuyer sur [Fin].	—
Erreur de disque dur.	–	Le travail est annulé. Appuyer sur [Fin].	—
Erreur de mémoire amovible.	–	Le travail est annulé. Appuyer sur [Fin].	—
Erreur KPDL.	–	Une erreur PostScript s'est produite. Le travail est annulé. Appuyer sur [Fin].	—

Message d'erreur	Vérifications	Actions correctives	Page de référence
ID d'utilisateur ou mot de passe incorrect.	–	Entrer une ID d'utilisateur ou un mot de passe correct.	—
ID de compte incorrect.	–	L'ID de compte n'existe pas. Vérifier l'ID de compte enregistré.	—
Impossible d'exécuter ce travail.	–	Ce travail a été annulé car il est restreint par la comptabilité des tâches. Appuyer sur [Fin].	—
Incident d'agrafes.	–	En cas d'incident d'agrafes, la machine s'arrête et l'emplacement du blocage est indiqué sur l'écran tactile. Laisser la machine sous tension et suivre les instructions pour éliminer les agrafes coincées.	4-8
La carte mémoire n'est pas formatée.	La carte mémoire est-elle formatée ?	Formater la carte mémoire.	—
La mémoire amovible n'est pas formatée.	La mémoire amovible est-elle formatée par cette machine ?	Utiliser la mémoire amovible formatée par cette machine.	—
Le fichier source n'a pas été trouvé.	–	Le fichier spécifié est introuvable. Le travail est annulé. Appuyer sur [Fin].	—
Le plateau # est plein.	La capacité acceptable des plateaux A à C du module finition de documents 3 000 feuilles est-elle dépassée ?	Retirer du papier du plateau # affiché sur l'écran tactile. Si le plateau B ou C est plein, appuyer sur [Continuer] pour reprendre l'impression.	—
Le plateau de boîte aux lettres est plein.	–	Retirer du papier du plateau de boîte aux lettres.	—
Le plateau de pliage est plein.	La capacité acceptable du plateau de pliage du module finition de documents 3 000 feuilles est-elle dépassée ?	Retirer du papier du plateau de pliage.	—
Le plateau du module de finition est plein.	La capacité de stockage maximale du module finition de documents a-t-elle été dépassée ?	Retirer du papier du plateau du module finition de documents. Si l'impression peut reprendre, l'écran tactile demande d'appuyer sur [Continuer]. Appuyer sur [Continuer].	—
Le plateau sup. de la machine est plein.	–	Retirer du papier du plateau supérieur et appuyer sur [Continuer] pour reprendre le travail.	—
Le récepteur téléphonique est décroché.	–	Raccrocher le récepteur.	—

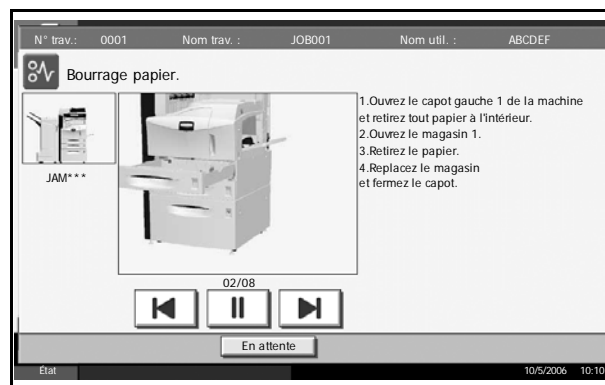
Message d'erreur	Vérifications	Actions correctives	Page de référence
Le séparateur de travaux est plein.	La capacité maximale du séparateur de travaux a-t-elle été dépassée ?	Retirer du papier du séparateur de travaux et appuyer sur [Continuer] pour reprendre l'impression.	—
Limite de boîte dépassée.	—	La boîte de document est pleine et il n'est plus possible de stocker des données. Le travail est annulé. Appuyer sur [Fin].	—
	—	La boîte de répétition de copie est pleine et il n'est plus possible de recommencer des copies. Appuyer sur [Continuer] pour imprimer sans répétition de copie. Appuyer sur [Annuler] pour annuler le travail.	—
Limite de boîte FAX dépassée.	—	La boîte FAX est pleine et il n'est plus possible de stocker des données. Le travail est annulé. Appuyer sur [Fin].	—
Limite de compta. trav. dépassée.	Le nombre maximum d'impressions limité par la comptabilité des tâches est-il dépassé ?	Le nombre d'impressions est supérieur au nombre limité par la comptabilité des tâches. Impossible d'imprimer. Le travail est annulé. Appuyer sur [Fin].	—
Mémoire amovible retirée.	—	Appuyer sur [Fin].	—
Mémoire pleine.	—	Impossible de continuer car la mémoire est saturée. Appuyer sur [Continuer] pour imprimer les pages numérisées. L'impression ne peut pas être traitée totalement. Appuyer sur [Annuler] pour annuler le travail.	—
Mémoire scanner pleine.	—	Numérisation impossible car la mémoire est insuffisante. Le travail est annulé. Appuyer sur [Fin].	—
	Le nombre de numérisations possibles est-il dépassé ?	Appuyer sur [Continuer] pour imprimer, envoyer ou stocker les pages numérisées. Appuyer sur [Annuler] pour annuler l'impression, l'envoi ou le stockage.	—
Nettoyez le verre fendu.	—	Nettoyer le verre fendu à l'aide du chiffon de nettoyage fourni.	5-3

Message d'erreur	Vérifications	Actions correctives	Page de référence
Nombre d'agrafes acceptable dépassé.	Le nombre d'agrafes acceptable est-il dépassé ? Pour plus d'informations, se reporter à la <i>Spécifications à la page Annexe-6</i>	Appuyer sur [Continuer] pour imprimer sans agrafage. Appuyer sur [Annuler] pour annuler le travail.	—
Perforation impossible sur ce type de papier.	Un type ou un format de papier ne pouvant pas être perforé a-t-il été sélectionné ?	Sélectionner le type ou le format de papier disponible. Appuyer sur [Continuer] pour imprimer sans perforation.	—
Placez l'unité de pliage.	L'unité de pliage est-elle correctement installée sur le module finition de documents 3 000 feuilles ?	Installer l'unité de pliage correctement sur le module finition de documents 3 000 feuilles. Pour plus d'informations, se reporter au <i>Manuel d'utilisation du module finition de documents 3 000 feuilles</i> .	—
Placez le bac de perforation.	—	Le bac de perforation du module finition de documents ou du module finition de documents 3 000 feuilles n'est pas installé correctement. Suivre les instructions de l'écran tactile pour l'installer correctement.	—
Placez le bac de récupération de toner.	—	Le bac de récupération de toner n'est pas installé correctement. Corriger le problème.	5-7
Placez le plateau de pliage.	Le plateau de pliage est-il correctement installé sur le module finition de documents 3 000 feuilles ?	Installer le plateau de pliage correctement sur le module finition de documents 3 000 feuilles. Pour plus d'informations, se reporter au <i>Manuel d'utilisation du module finition de documents 3 000 feuilles</i> .	—
Recto verso impossible sur ce type de papier.	Un type ou un format de papier ne pouvant pas être imprimé en recto verso a-t-il été sélectionné ?	Sélectionner le type ou le format de papier disponible. Appuyer sur [Continuer] pour imprimer sans utiliser le recto verso.	3-13
Remplacez le bac de récupération de toner.	—	Le bac de récupération de toner est plein. Remplacer le bac de récupération de toner.	5-7

Message d'erreur	Vérifications	Actions correctives	Page de référence
Remplacez originaux et utilisez [Continuer].	–	Retirer les originaux du chargeur de documents, les remettre dans l'ordre d'origine puis les remettre en place. Appuyer sur [Continuer] pour reprendre l'impression. Appuyer sur [Annuler] pour annuler le travail.	2-27
Remplacez tous les originaux dans charg. doc.	Des originaux ont-ils été laissés dans le chargeur de documents ?	Retirer les originaux du chargeur de documents.	—
Surcharge d'impression.	–	Avertissement. Mémoire imprimante insuffisante. Le travail est arrêté. Appuyer sur [Continuer] pour reprendre l'impression.	—
Une erreur s'est produite.	–	Une erreur interne s'est produite. Mettre la machine hors tension, puis à nouveau sous tension. Si l'erreur se répète, noter le code d'erreur affiché sur l'écran tactile et contacter le technicien.	—
Vérifiez le capot.	Un capot est-il ouvert ?	Refermer le capot affiché sur l'écran tactile.	—
Vérifiez le chargeur de documents.	Le chargeur de documents est-il ouvert ?	Fermer le chargeur de documents.	—
	Le capot supérieur du chargeur de documents est-il ouvert ?	Refermer le capot supérieur du chargeur de documents.	6-22
Vérifiez le module de finition.	Le module de finition intégré ou le module finition de documents est-il installé correctement ?	Installer le module de finition intégré ou le module finition de documents correctement. Pour plus d'informations, se reporter aux <i>Manuels d'utilisation</i> correspondants.	—
	Le plateau du module de finition intégré est-il installé correctement ?	Installer le plateau du module de finition intégré correctement.	—
Videz le bac de perforation.	–	Le bac de perforation du module finition de documents ou du module finition de document 3 000 feuilles est plein. Suivre les instructions de l'écran tactile pour le vider.	—

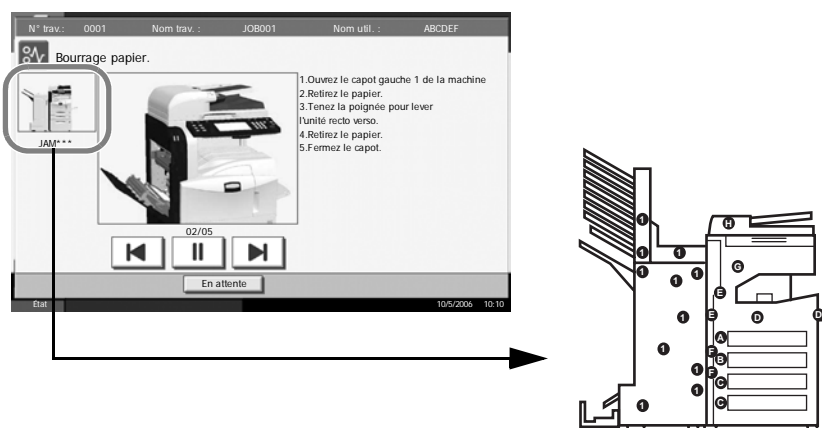
Résolution des incidents papier

En cas d'incident papier, l'écran tactile affiche le message *Bourrage papier.* et la machine s'arrête. Procéder comme suit pour éliminer le bourrage.



Indicateurs d'emplacement de bourrage

En cas de bourrage papier, l'emplacement du bourrage est signalé par une lettre correspondant au composant machine concerné comme illustré ci-dessous, et les instructions nécessaires s'affichent.



Indicateur d'emplacement de bourrage	Emplacement du bourrage	Page de référence
A	Magasin 1	6-12
B	Magasin 2	6-14
C	Magasins 3 ou 4 (option)	6-15
D	Bac MF	6-16
E	Intérieur du capot gauche 1, 2 ou 3	6-16
F	Unité recto verso	6-17

Indicateur d'emplacement de bourrage	Emplacement du bourrage	Page de référence
G	Sortie du séparateur de travaux (option)	—
H	Chargeur de documents (option)	6-22
I	Module finition de documents (option)	6-23

Une fois le bourrage éliminé, la machine repasse en préchauffage et le message d'erreur est effacé. La machine redémarre à la page sur laquelle l'incident s'est produit.

Précautions à prendre lors de la résolution d'incidents papier

- Ne pas réutiliser le papier récupéré après le bourrage.
- Si le papier a été déchiré pendant le retrait, veiller à retirer tous les morceaux de papier restant à l'intérieur de la machine. Ces derniers sont susceptibles de provoquer un autre incident papier.
- Jeter le papier coincé dans le finisseur de documents en option ou dans le module finition de documents 3 000 feuilles. La page sur laquelle l'incident s'est produit sera réimprimée.



AVERTISSEMENT : Une tension élevée est présente au niveau de la section chargeur. Prendre toutes les précautions nécessaires pour éviter les risques d'électrocution.

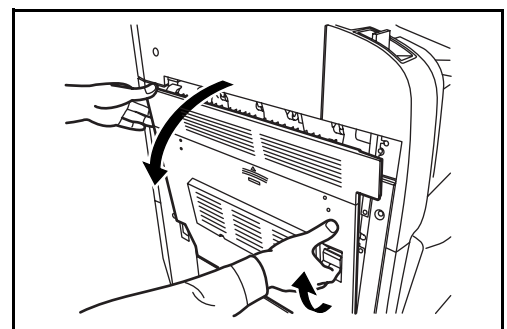


ATTENTION : L'unité de fixation est très chaude. Prendre toutes les précautions nécessaires pour éviter les risques de brûlure.

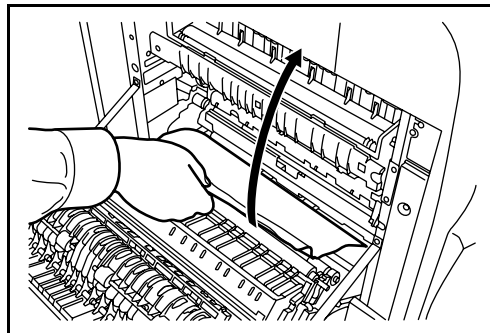
Magasin 1

Procéder comme suit pour résoudre les incidents papier dans le magasin 1.

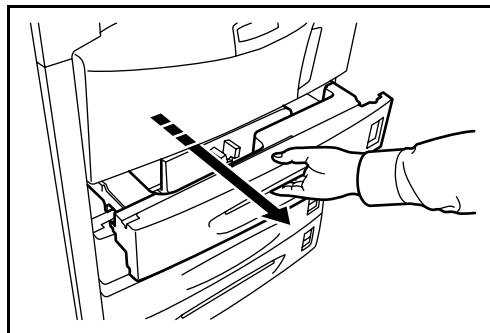
- 1 Soulever le levier du capot gauche 1 et ouvrir le capot gauche 1.



- 2** Retirer le papier coincé.

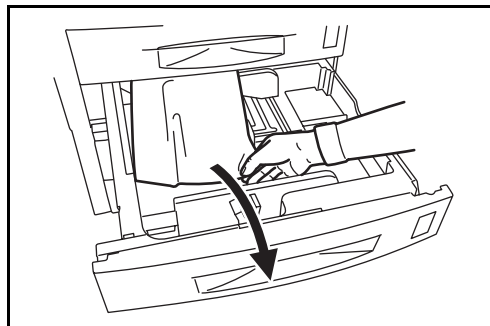


- 3** Sortir le magasin 1.



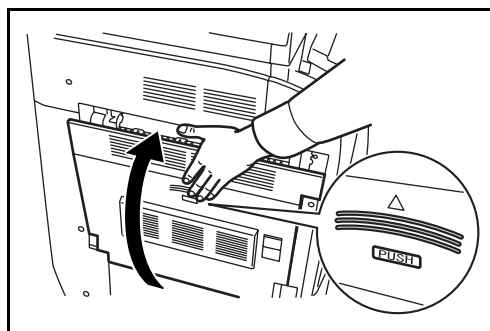
- 4** Retirer le papier coincé.

Si le papier se déchire, retirer tous les morceaux restant à l'intérieur de la machine.



- 5** Remettre le magasin 1 en place.

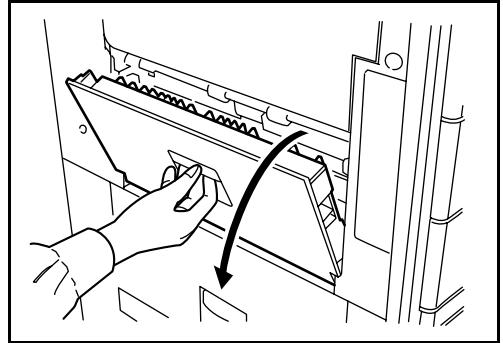
- 6** Appuyer à l'endroit indiqué pour refermer le capot gauche 1.



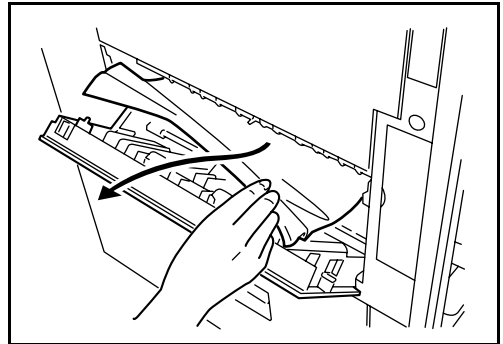
Magasin 2

Procéder comme suit pour résoudre les incidents papier dans le magasin 2.

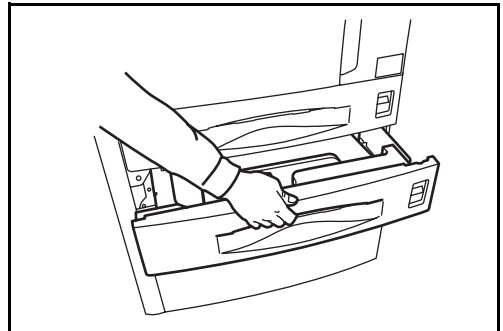
- 1** Ouvrir le capot gauche 2.



- 2** Retirer le papier coincé.

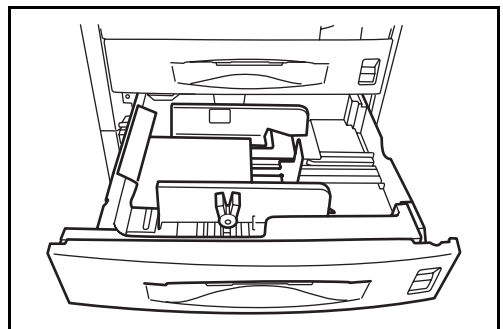


- 3** Sortir le magasin 2.



- 4** Retirer le papier coincé.

Si le papier se déchire, retirer tous les morceaux restant à l'intérieur de la machine.



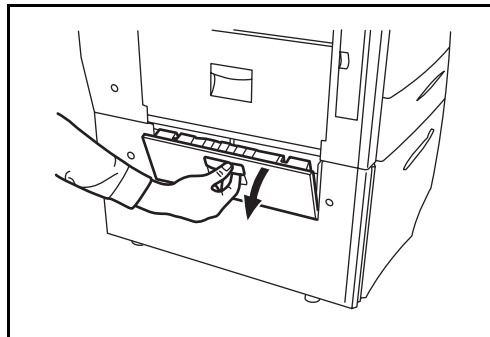
- 5** Remettre le magasin 2 en place.

- 6** Refermer le capot gauche 2.

Magasins 3 et 4 en option

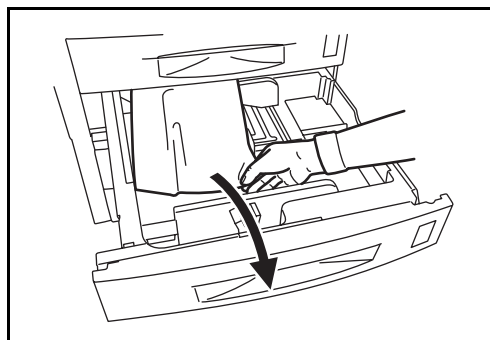
Procéder comme suit pour résoudre les incidents papier dans les magasins 3 ou 4 lors de l'utilisation du chargeur de papier en option ou du chargeur de papier 3 000 feuilles.

- 1** Ouvrir le capot gauche 3.

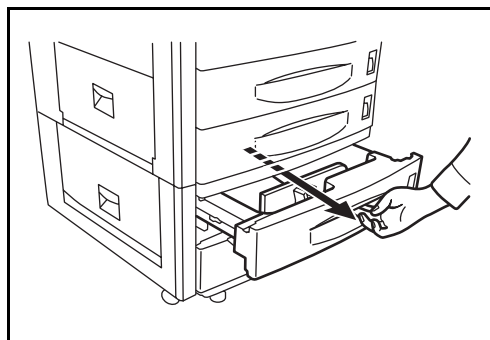


- 2** Retirer le papier coincé.

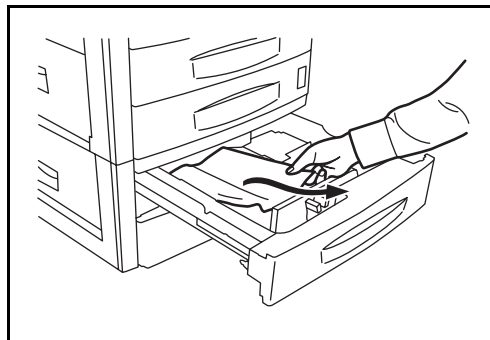
Si le papier se déchire, retirer tous les morceaux restant à l'intérieur de la machine.



- 3** Sortir le magasin en cours d'utilisation.



- 4** Retirer le papier coincé.

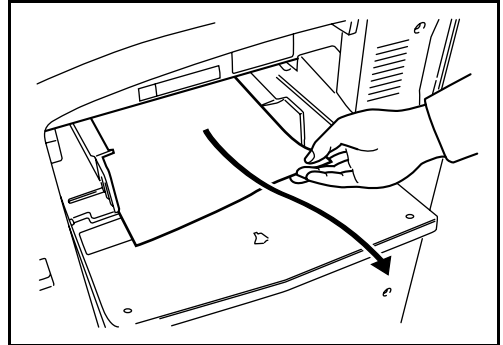


- 5 Remettre le magasin en place.
- 6 Refermer le capot gauche 3.

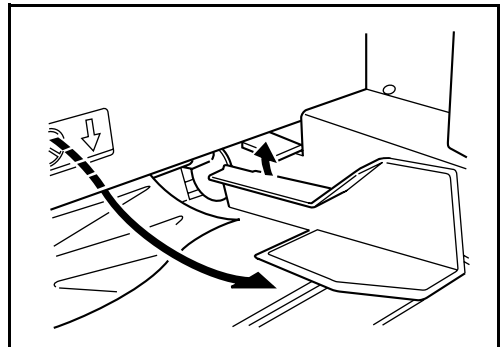
Bac MF

Procéder comme suit pour résoudre les incidents papier dans le bac MF.

- 1 Retirer tout le papier du bac MF.



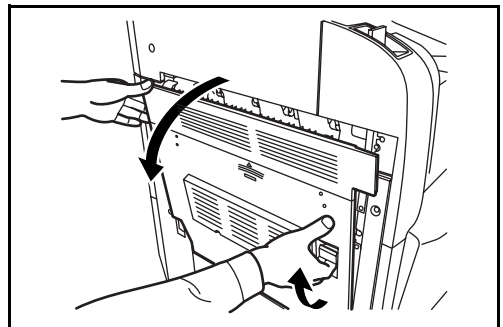
- 2 Si du papier reste coincé, soulever le levier pour dégager le papier.



Intérieur des capots gauches 1, 2 et 3

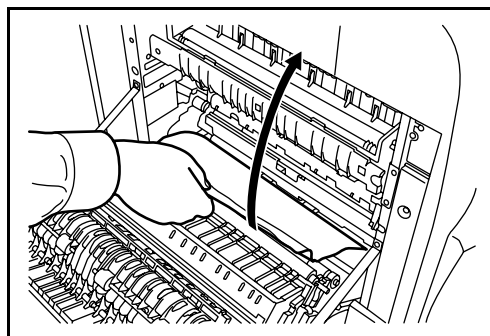
Procéder comme suit pour résoudre les incidents papier à l'intérieur des capots gauches 1, 2 ou 3 lors de l'utilisation du chargeur de papier en option ou du chargeur de papier 3 000 feuilles.

- 1 Ouvrir le capot gauche dans lequel s'est produit l'incident papier.



- 2 Retirer le papier coincé.

Si le papier se déchire, retirer tous les morceaux restant à l'intérieur de la machine.

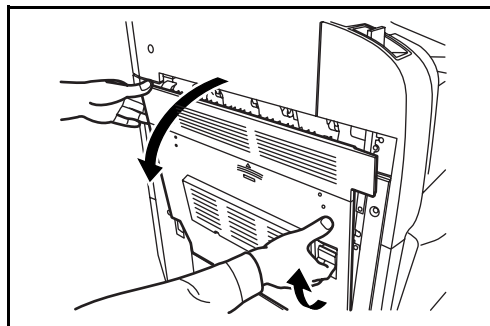


- 3 Refermer le capot gauche.

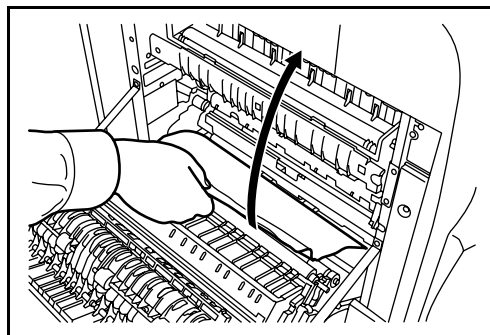
Unité recto verso

Procéder comme suit pour résoudre les incidents papier dans l'unité recto verso.

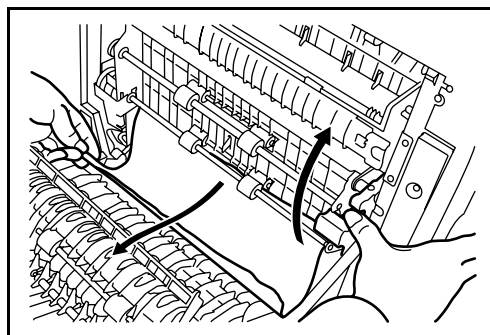
- 1 Soulever le levier du capot gauche 1 et ouvrir le capot.



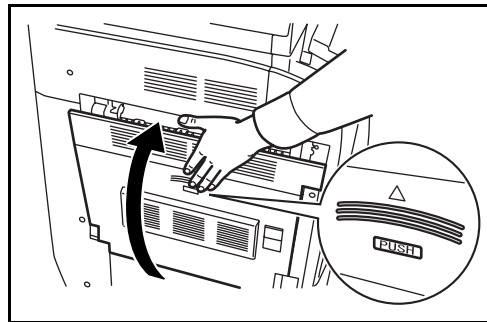
- 2 Retirer le papier coincé.



- 3 Soulever l'unité recto verso et retirer le papier coincé.



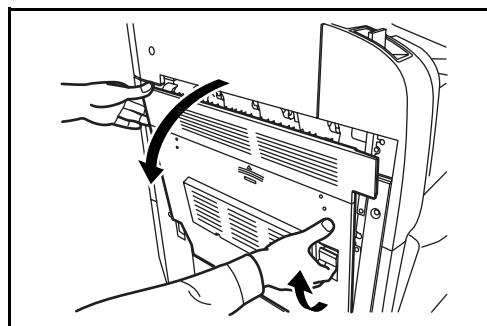
- 4** Appuyer à l'endroit indiqué pour refermer le capot gauche 1.



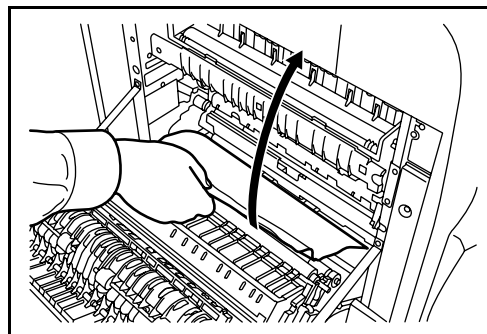
Unité recto verso et magasin 1

Procéder comme suit pour résoudre les incidents papier dans l'unité recto verso et le magasin 1.

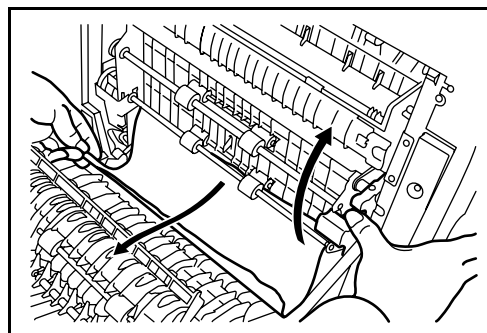
- 1** Soulever le levier du capot gauche 1 et ouvrir le capot.



- 2** Retirer le papier coincé.

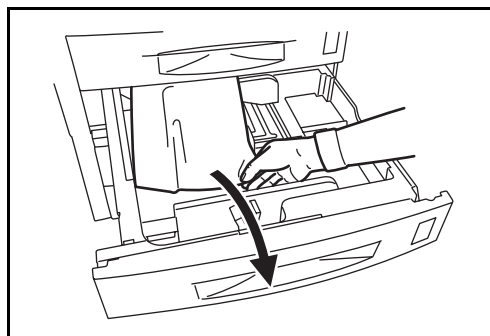


- 3** Soulever l'unité recto verso et retirer le papier coincé.



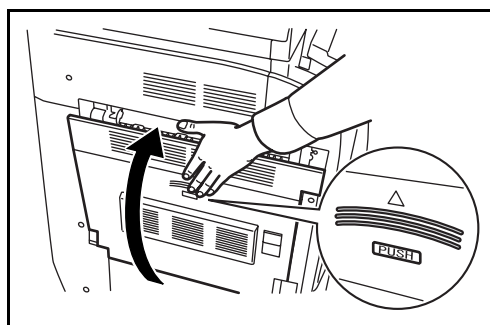
- 4** Sortir le magasin 1 et retirer le papier coincé.

Si le papier se déchire, retirer tous les morceaux restant à l'intérieur de la machine.



5 Remettre le magasin 1 en place.

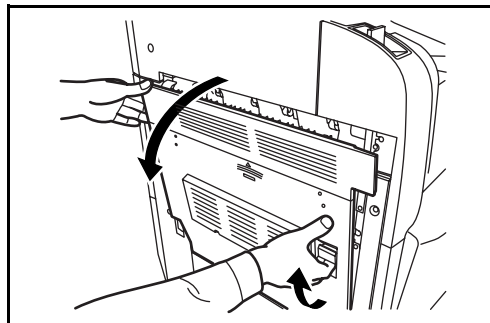
6 Appuyer à l'endroit indiqué pour refermer le capot gauche 1.



Unité d'alimentation papier

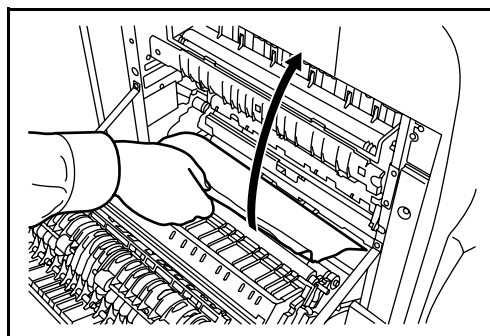
Procéder comme suit pour résoudre les incidents papier dans l'unité d'alimentation papier.

1 Ouvrir le capot gauche 1.



2 Retirer le papier coincé.

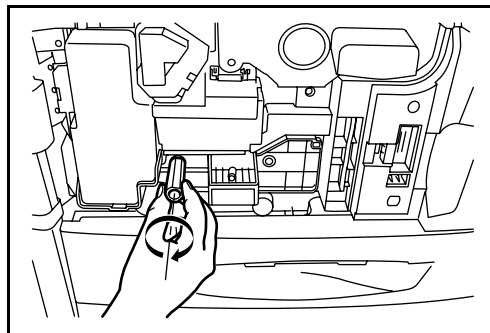
Si le papier se déchire, retirer tous les morceaux restant à l'intérieur de la machine.



- 3** Ouvrir le capot avant.

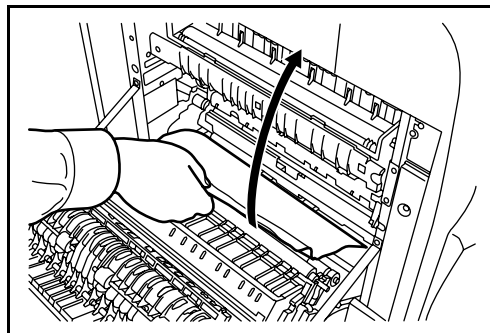


- 4** Tourner la poignée verte (A1) dans le sens horaire.

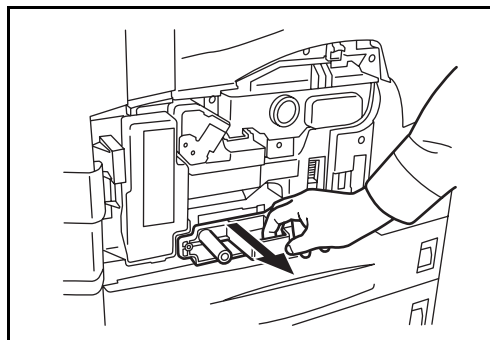


- 5** Retirer le papier coincé.

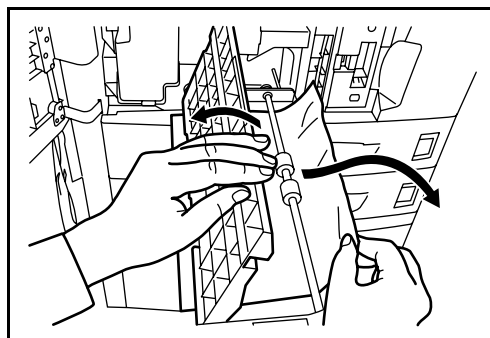
S'il est impossible de retirer le papier, passer à l'étape suivante.



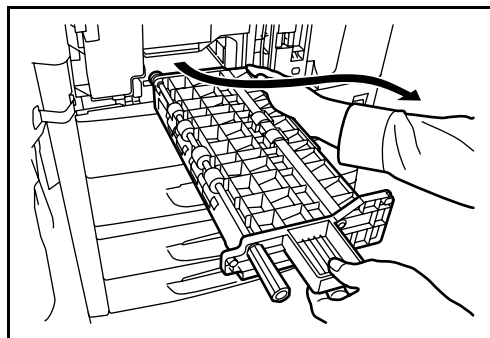
- 6** Sortir l'unité d'alimentation papier (A2).



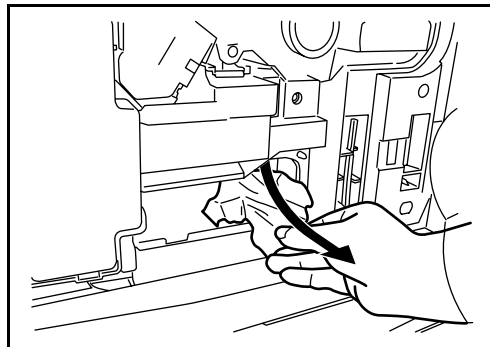
- 7** Ouvrir le capot de l'unité d'alimentation papier (A3) et retirer le papier coincé.



- 8** Si le papier est déchiré, sortir complètement l'unité d'alimentation papier (A2) et la soulever légèrement pour dégager le papier.

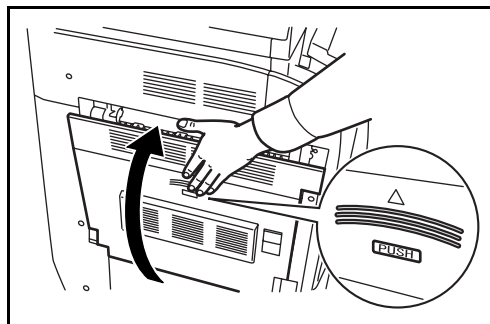


- 9** Retirer le papier coincé.
S'il est impossible de retirer le papier, passer à l'étape suivante.



- 10** Remettre l'unité d'alimentation papier (A2) en place et fermer le capot avant.

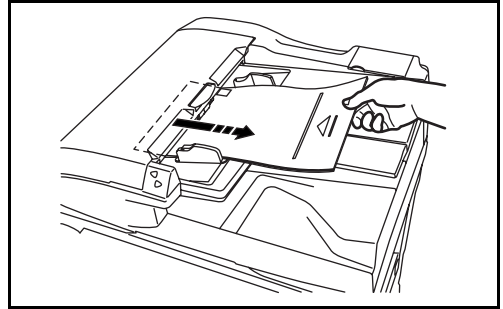
- 11** Appuyer à l'endroit indiqué pour refermer le capot gauche 1.



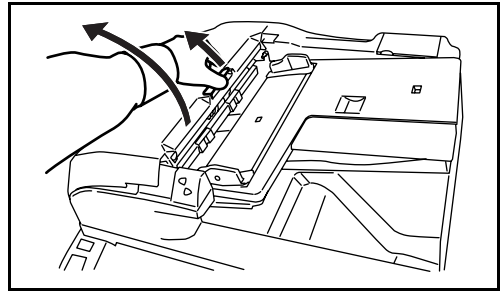
Chargeur de documents en option

Procéder comme suit pour résoudre les incidents papier dans le chargeur de documents en option.

- 1** Retirer les originaux du plateau des originaux.

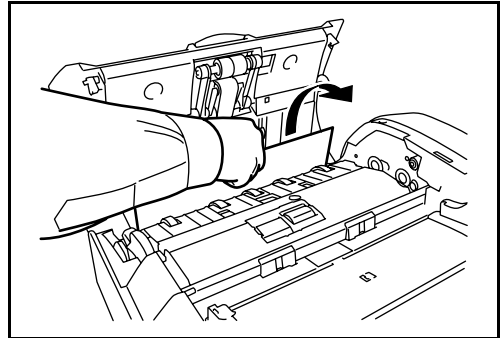


- 2** Ouvrir le capot supérieur du chargeur de documents.

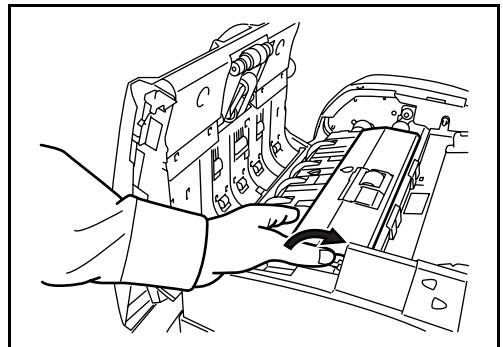


- 3** Retirer l'original coincé.

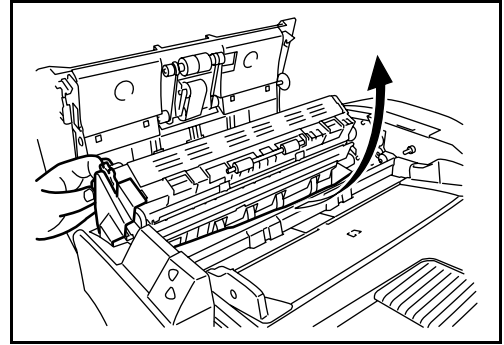
Si l'original se déchire, retirer tous les morceaux restant à l'intérieur de la machine.



S'il est difficile de dégager l'original, faire tourner la molette d'alimentation. L'original sera déplacé vers un emplacement permettant de le dégager plus facilement.



- 4** Soulever l'unité d'inversion.



- 5** Retirer l'original coincé.

Si l'original se déchire, retirer tous les morceaux restant à l'intérieur de la machine.

- 6** Remettre l'unité d'inversion en place et fermer le capot supérieur du chargeur de documents.

- 7** Recharger les originaux sur le plateau du chargeur de documents.

Module finition de documents en option

En cas d'incident papier dans le module finition de documents en option ou dans le module finition de documents 3 000 feuilles, se reporter aux *Manuels d'utilisation correspondants pour éliminer le bouchage.*

Annexe

- Méthode de saisie de caractères Annexe-2
- Spécifications Annexe-6

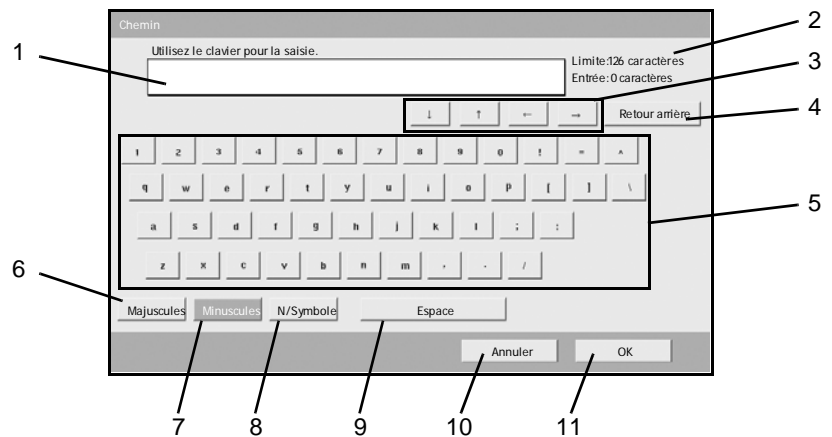
Méthode de saisie de caractères

Pour saisir les caractères d'un nom, utiliser le clavier affiché sur l'écran tactile et procéder comme suit.

REMARQUE : Des claviers QWERTY, QWERTZ et AZERTY sont disponibles comme pour le clavier du PC. Appuyer sur **Menu Système**, [Paramètres communs] puis sur [Modifier] dans *Clavier* pour sélectionner la disposition désirée. L'exemple donné utilise un clavier QWERTY. La procédure est la même pour les autres claviers.

Écrans de saisie

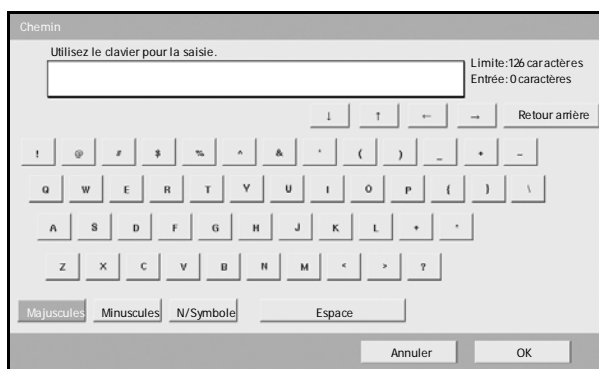
Écran de saisie en minuscules



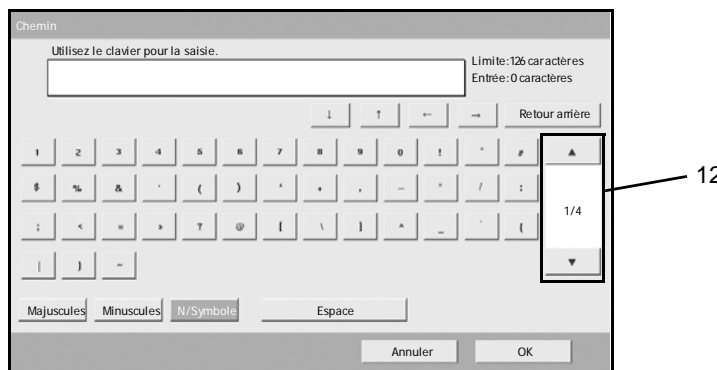
N°	Élément affiché / Touche	Description
1	Informations affichées	Affichage des caractères saisis.
2	Limite d'affichage	Affichage du nombre maximum de caractères.
3	Touche curseur	Permet de déplacer le curseur sur l'écran.
4	[Retour arrière]	Appuyer sur cette touche pour supprimer le caractère à gauche du curseur.
5	Clavier	Permet de saisir les caractères.
6	[Majuscules]	Permet d'utiliser des majuscules.
7	[Minuscules]	Permet d'utiliser des minuscules.
8	[N/Symbole]	Permet de saisir des chiffres et des symboles.

N°	Élément affiché / Touche	Description
9	[Espace]	Permet d'insérer un espace.
10	[Annuler]	Permet d'annuler la saisie de caractères et de revenir à l'écran précédent.
11	[OK]	Permet de valider la saisie et de revenir à l'écran précédent.

Écran de saisie en majuscules



Écran de saisie des chiffres/symboles



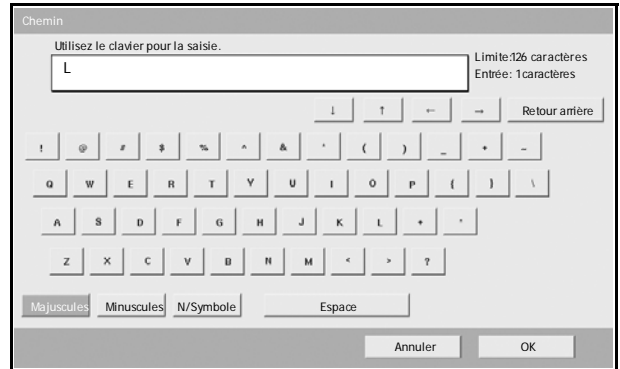
N°	Élément affiché / Touche	Description
12	[▲]/[▼]	Saisie de chiffres ou de symboles non affichés sur le clavier ; appuyer sur la touche curseur et faire défiler l'écran pour afficher d'autres chiffres ou symboles.

Saisie de caractères

Procéder comme suit pour saisir l'expression *List A-1* par exemple.

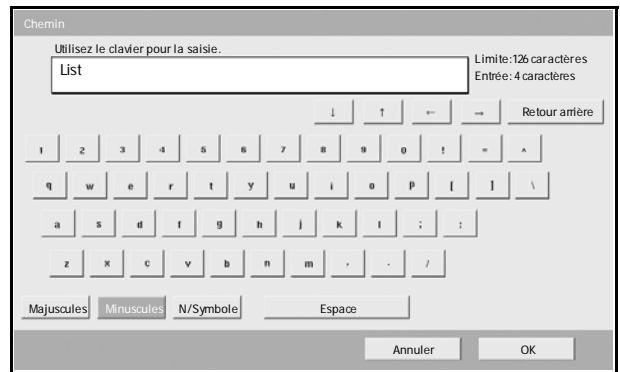
1 Appuyer sur [Majuscules].

2 Appuyer sur [L]. La lettre *L* s'affiche.



3 Appuyer sur [Minuscules].

4 Appuyer sur [i], [s], [t] puis [Espace].



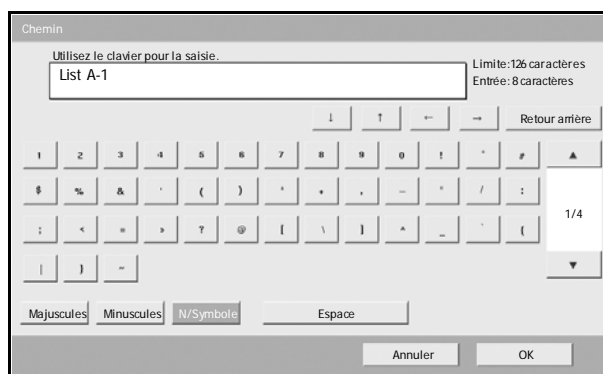
5 Appuyer sur [Majuscules].

6 Appuyer sur [A].

7 Appuyer sur [N/Symbole].

8 Appuyer sur [▲] ou sur [▼] plusieurs fois pour afficher le clavier contenant [-] et [1].

9 Appuyer sur [-] et [1].



10 Vérifier que la saisie est correcte. Appuyer sur [OK].

Spécifications

REMARQUE : Les spécifications ci-dessous peuvent être modifiées sans préavis.

Machine

Système de copie	Système électrostatique indirect
Originaux pris en charge	Feuilles, livres et objets tridimensionnels (format d'original maximal : A3/Ledger)
Formats de copie	
Magasins 1 et 2	Ledger, Legal, Oficio II, 8,5×13,5", Letter, Letter-R, Statement-R, A3, B4, A4, A4-R, B5, B5-R, A5-R, Folio, 8K, 16K, 16K-R
Bac MF	Ledger, Legal, Oficio II, 8,5×13,5", Letter, Letter-R, Executive, Statement-R, A3, B4, A4, A4-R, B5, B5(ISO), B5-R, A5-R, B6-R, A6-R, Oufuku Hagaki, Hagaki, Enveloppe DL, Enveloppe C5, Enveloppe C4, Comm.#10, Comm.#9, Comm.#6-3/4, Monarch, Youkei 2, Youkei 4, Folio, 8K, 16K, 16K-R
Mode recto verso	A3 à A5-R, Ledger à Statement-R
Marge	0,5 à 5,5 mm maximum
Capacité de la source d'alimentation du papier	
Magasins 1 et 2	500 feuilles (80 g/m ²)
Bac MF	200 feuilles (80 g/m ²)
Capacité du plateau de sortie	250 feuilles (80 g/m ²), 150 feuilles (80 g/m ² , avec module de finition intégré)
Temps de préchauffage	30 secondes Temps de reprise depuis le mode Veille : 15 secondes (à température ambiante 22°C, 60 % HR)
Mémoire	512 Mo en standard
Disque dur	40 Go
Environnement d'utilisation	
Température	10 à 32,5°C
Humidité	15 à 80 %
Altitude	2 500 m maximum
Luminosité	1 500 lux maximum
Alimentation électrique	CA 120 V 60 Hz 11,5 A / CA 220 à 240 V 50 Hz 6,3 A
Dimensions (L) × (P) × (H)	29 ⁹ / ₁₆ × 25 ⁷ / ₁₆ × 29 ⁵ / ₁₆ " / 599 × 646 × 745 mm
Poids	187 lbs / 85 kg
Encombrement	29 ⁵ / ₈ × 25 ⁷ / ₁₆ " (avec bac MF) 753 × 646 mm (avec bac MF)

Copieur

Vitesse de copie (glace d'exposition) Modèle 30 ppm Modèle 40 ppm Modèle 50 ppm	A3/Ledger : 20 feuilles/minute B4/Legal : 20 feuilles/minute A4/Letter : 30 feuilles/minute A4-R/Letter-R : 22 feuilles/minute B5 : 30 feuilles/minute B5-R : 20 feuilles/minute A5-R : 14 feuilles/minute A6-R : 16 feuilles/minute A3/Ledger : 23 feuilles/minute B4/Legal : 23 feuilles/minute A4/Letter : 40 feuilles/minute A4-R/Letter-R : 27 feuilles/minute B5 : 40 feuilles/minute B5-R : 22 feuilles/minute A5-R : 16 feuilles/minute A6-R : 18 feuilles/minute A3/Ledger : 26 feuilles/minute B4/Legal : 26 feuilles/minute A4/Letter : 50 feuilles/minute A4-R/Letter-R : 31 feuilles/minute B5 : 50 feuilles/minute B5-R : 24 feuilles/minute A5-R : 18 feuilles/minute A6-R : 18 feuilles/minute
Temps de sortie de la première copie	Modèle 30 ppm : 3,9 secondes ou moins (1:1, A4/Letter, glace d'exposition) Modèle 40/50 ppm : 3,5 secondes ou moins (1:1, A4/Letter, glace d'exposition)
Résolution	Numérisation : 600 x 600 dpi Impression : 600 x 600 dpi (mode Photo : 1 800 dpi équivalent x 600 dpi)
Copie continue	1 à 999 feuilles
Niveau de zoom	Tous niveaux entre 25 et 400 % par incréments de 1 % (avec le processeur de document : 25 à 200 %) Inclut des niveaux de zoom prédéfinis

Imprimante

Vitesse d'impression	Identique à <i>Vitesse de copie</i> .
Temps de sortie de la première impression	Identique à <i>Temps de sortie de la première copie</i>
Résolution	300 dpi (lissage possible), 600 dpi, mode rapide 1200
Système d'exploitation	Windows 95 (OSR2), Windows 98 (Second Edition), Windows NT 4.0 (Service Pack 5 ou ultérieur), Windows 2000 (Service Pack 2 ou ultérieur), Windows Me, Windows XP, Windows Server 2003, Apple Macintosh OS 9.x/OS X 10.x
Interface	Interface de port parallèle : 1 (IEEE1284) Interface réseau : 1 Logements mémoire USB : 3 (USB à haut débit) Connecteur d'interface USB : 1 (USB à haut débit) Interface série (option) : 1 (RS-232C)
Logiciels de gestion	
PDL	PRESCRIBE
Émulation	PCL6 (5e, XL) KPDL3 (compatible PostScript3) KC-GL Imprimante par ligne IBM Proprinter X24E DIABLO 630 EPSON LQ-850
Fontes	Fontes vectorielles : 80 fontes (PCL6) 136 fontes (KPDL3) Fontes bitmap : 1 fonte 79 fontes traitées par fonte vectorielle.
Connectivité	Plug-and-Play SNMP (prise en charge imprimante MIB)
Autres	
EcoPrint	OUI/NON (sans effet sur vitesse d'impression)
Lissage	KIR ON/OFF Mode 600 dpi : 2 400 dpi équivalent x 600 dpi
EcoMemory	Économie de mémoire par compression et décompression logicielle des données en mode point
Impression Internet	IPP/1.0
Impression E-mail	Impression des E-mails reçus
e-MPS	Stockage des données d'impression sur disque dur pour impression

Scanner

Ethernet	10BASE-T/100BASE-TX
Protocole réseau	TCP/IP
Couleur/ Monochrome	Couleur et monochrome
Système de transmission	Transmission PC SMB Envoyer vers SMB FTP Envoyer vers FTP Transmission E-mail SMTP Envoyer vers E-mail Numérisation TWAIN Source TWAIN
Résolution	600 dpi, 400 dpi, 300 dpi, 200 dpi, 200 x100 dpi, 200 x 400 dpi (* Résolution en mode FAX incluse)
Dégradés	Noir et Blanc : (a) mode Texte : Binaire/point 256 niveaux (diffusion d'erreur) (b) mode Photo : Binaire/point 256 niveaux (diffusion d'erreur) (c) mode Texte/Photo : Binaire/point 256 niveaux (diffusion d'erreur) (d) mode OCR : Binaire/point 2 niveaux Couleur : RVB 256 valeurs/point
Niveau de zoom	Identique au niveau de zoom du copieur
Capacité de numérisation	999 feuilles max. (998 feuilles pour les originaux recto verso)
Type fichier	Monochrome TIFF (MMR), PDF (MMR) Niveaux de gris TIFF (JPEDG), PDF (JPEG) Couleur JPEG, PDF (compressé)
Vitesse de numérisation	Recto Noir et Blanc 50 feuilles/min Couleur 25 feuilles/min Recto verso Noir et Blanc 25 feuilles/min Couleur 12,5 feuilles/min (A4 paysage, 600 dpi, Qualité d'image : original Texte/Photo)

Chargeur de documents (en option)

Méthode d'alimentation des originaux	Alimentation automatique
Types d'originaux pris en charge	à partir de feuilles
Format de papier	Maximum : Ledger/A3 Minimum : Statement-R/A5-R
Grammage du papier	45 à 160 g/m ²
Capacité papier	100 feuilles (50 à 80 g/m ²) maximum Formats d'originaux différents (sélection auto) : 30 feuilles (50 à 80 g/m ²) maximum
Dimensions (L) x (P) x (H)	22 3/8 x 20 11/16 x 5 7/8" 569 x 525 x 149 mm
Poids	Environ 28,6 lb maximum / Environ 13 kg maximum

Chargeur de papier (en option)

Méthode d'alimentation du papier	Alimentation par friction (Nbre de feuilles : 500, 80 g/m ² , 2 magasins)
Format de papier	Ledger, Legal, Oficio II, 8,5x13,5", Letter, Letter-R, Statement-R, A3, B4, A4, A4-R, B5, B5-R, A5-R, Folio, 8K, 16K, 16K-R
Papier pris en charge	Grammage : 60 à 105 g/m ² Types de papier : standard, recyclé, couleur
Dimensions (L) x (P) x (H)	23 ⁵ / ₁₆ x 23 ¹ / ₄ x 12 ³ / ₈ " 585 x 590 x 315 mm
Poids	Environ 57,2 lb / Environ 26 kg

Chargeur de papier 3 000 feuilles (en option)

Méthode d'alimentation du papier	Méthode à retardement par friction (Nbre de feuilles : 3 000, 80 g/m ²)
Format de papier	Letter, A4, B5
Papier pris en charge	Grammage : 60 à 105 g/m ² Types de papier : standard, recyclé, couleur
Dimensions (L) x (P) x (H)	23 ⁵ / ₁₆ x 23 ⁵ / ₈ x 12 ³ / ₈ " 585 x 600 x 314 mm
Poids	Environ 50,6 lb / Environ 23 kg

Module finition de documents (en option)

Nombre de plateaux	1 plateau
Format de papier (Sans agrafage)	Ledger, Legal, Oficio II, 8,5x13,5", A3, B4, Folio, 8K : 500 feuilles Letter, Letter-R, A4, A4-R, B5, 16K : 1 000 feuilles
Grammages pris en charge	Agrafage : 80 g/m ² maximum
Nombre maximal de feuilles pour l'agrafage	Ledger, Legal, Oficio II, 8,5x13,5", A3, B4, Folio : 20 feuilles Letter, Letter-R, A4, A4-R, B5 : 30 feuilles (grammage 80 g/m ² maximum)
Dimensions (L) x (P) x (H)	22 x 20 ¹¹ / ₁₆ x 36 ¹ / ₁₆ " 558 x 526 x 916 mm
Poids	Environ 55 lb / Environ 25 kg

Module finition de documents 3 000 feuilles (en option)

Nombre de plateaux	3 plateaux
Format de papier	
Plateau A (Sans agrafage)	Ledger, Legal, Oficio II, 8,5×13,5", A3, B4, Folio, 8K : 1 500 feuilles Letter, Letter-R, A4, A4-R, B5, 16K : 3 000 feuilles
Plateau B	Ledger, Legal, Oficio II, 8,5×13,5", A3, B4, Folio, 8K : 100 feuilles Letter, Letter-R, Statement-R, A4, A4-R, B5, B5-R, A5-R, B6-R, A6-R, 16K, 16K-R : 200 feuilles Hagaki : 200 feuilles
Plateau C	Letter, Statement-R, A4, B5, A5-R, B6-R, A6-R, 16K : 50 feuilles Hagaki : 50 feuilles
Grammages pris en charge	Agrafage : 90 g/m ² maximum Perforation (option) : 45 à 200 g/m ²
Nombre maximal de feuilles pour l'agrafage	Ledger, Legal, Oficio II, 8,5×13,5", A3, B4, Folio, 8K : 30 feuilles, Letter, Letter-R, A4, A4-R, B5, 16K : 50 feuilles (grammage 90 g/m ² maximum)
Dimensions (L) × (P) × (H)	26 ¹⁵ / ₁₆ × 22 ³ / ₁₆ × 42 ¹³ / ₁₆ " 684 × 563 × 1087 mm
Poids	Environ 105,6 lb maximum / Environ 48 kg maximum

Séparateur de travaux (en option)

Nombre de plateaux	1 plateau
Nbre maximal de feuilles	100 feuilles (80 g/m ²)
Format de papier	Ledger, Legal, Oficio II, 8,5×13,5", Letter, Letter-R, Executive-R, Statement-R, A3, B4, A4, A4-R, B5, B5-R, A5-R, B6-R, Folio
Type de papier	Grammage : 45 à 160 g/m ² Types de papier : standard, recyclé, couleur, fin
Dimensions (L) × (P) × (H)	20 ¹³ / ₁₆ × 18 ¹¹ / ₁₆ × 3 ³ / ₁₆ " 530 × 475 × 82 mm
Poids	3,3 lb maximum / 1,5 kg maximum

Module de finition intégré

Nombre de plateaux	1 plateau
Format de papier	Ledger, Legal, Oficio II, 8,5x13,5", A3, B4, Folio : 250 feuilles
(Sans agrafage) Papier pris en charge	Letter, Letter-R, A4, A4-R, B5 : 500 feuilles 60 à 80 g/m ²
Poids	19,8 lb maximum / Environ 9 kg maximum
Nbre maximal de feuilles Agrafage	Ledger, Legal, A3, B4, Folio : 20 feuilles Letter, Letter-R, A4, A4-R, B5 : 30 feuilles (grammage 80 g/m ² maximum)
Dimensions (L) x (P) x (H)	12 ³ / ₁₆ x 16 ¹ / ₈ x 6 ⁵ / ₁₆ " 310 x 410 x 160 mm

Respect de l'environnement

Délai avant activation du mode veille (réglage par défaut)	45 minutes (modèles 30 et 40 ppm) 90 minutes (modèle 50 ppm)
Mode recto verso	Standard
Capacité de la source d'alimentation du papier	Utilisation possible de papier 100 % recyclé.

REMARQUE : Pour les types de papier recommandés, consulter le revendeur ou un technicien.

Index

A

À propos de ce manuel d'utilisation **xvii**
Annexe **Annexe-1**
Annulation/Visualisation/Modification d'un travail **3-49**

C

Caution Labels **viii**
Chargement des originaux **2-25**
Chargement du papier **2-15**
Chargeur de documents **4-4**
Chargeur de papier **4-4**
Chargeur de papier 3 000 feuilles **4-5**
Choix de la langue (en option) **2-14**
Choix de la méthode de connexion et préparation des câbles **2-3**
Compteur clé **4-11**
Configuration de la date et de l'heure **2-8**
Configuration du réseau (raccordement via un câble LAN) **2-10**
Conventions utilisées dans ce manuel **xviii**
Copie **3-7**

D

Dépannage **6-1**
Description des procédures d'utilisation **xix**

E

Écran Installation rapide **3-54**
Écran tactile **1-6, 3-6**
Energy Star (ENERGY STAR®)
Program **vi**
Envoi **3-19**

F

Formats des originaux et du papier **xx**

I

Impression – Impression à partir d'une application **3-18**
Impression de documents stockés en mémoire USB amovible **3-47**
Installation du logiciel **2-12**
Installation Precautions **ix**
Interface série **4-13**

K

Kit de fax **4-12**
Kit de mise à niveau (clé USB) **4-14**
Kit de sauvegarde de données **4-12**
Kit de sécurité (clé USB) **4-13**

L

Laser Safety **-xiv**
Legal and Safety Information **i**
Legal Information **ii**

M

Machine **1-2**
Maintenance **5-1**
Manuels fournis **xviii**
Matériel en option **4-1**
Méthode de saisie de caractères **Annexe-2**
Mise sous tension et hors tension **3-2**
Module de finition intégré **4-5**
Module finition de documents **4-9**
Module finition de documents
3 000 feuilles **4-9**

N

Nettoyage **5-2**
Nomenclature **1-1**

P

Panneau de commande **1-5**
Precautions for Use **xi**
Préparation à l'utilisation **2-1**
Présentation des équipements
en option **4-2**

R

Raccordement des câbles **2-5**
Regarding Trade Names **iii**
Réglage de l'inclinaison du panneau de
commande **3-5**
Remplacement de la cartouche de toner et
du bac de récupération de toner **5-7**
Réponse aux messages d'erreur **6-5**
Résolution des dysfonctionnements **6-2**
Résolution des incidents papier **6-11**

S

Safety Conventions in This Guide **vii**

Sélection de l'écran par défaut
(en option) **2-13**
Séparateur de travaux **4-10**
Spécification de la destination **3-33**
Spécifications **Annexe-6**

T

Table de documents **4-10**

U

Utilisation de base **3-1**
Utilisation de la Boîte de document **3-36**

V

Veille et veille automatique **3-4**
Vérification du niveau de toner et
de papier **3-53**

Pour optimiser les résultats et les performances de l'appareil, il est recommandé d'utiliser exclusivement des fournitures d'origine avec les produits.



DIRECTIVE 2002/96/CE SUR LE TRAITEMENT, LA COLLECTE, LE RECYCLAGE ET LA MISE AU REBUT DES EQUIPEMENTS ELECTRIQUES ET ELECTRONIQUES ET DE LEURS COMPOSANTS

INFORMATIONS

1. POUR LES PAYS DE L'UNION EUROPEENNE (UE)

Il est interdit de mettre au rebut tout équipement électrique ou électronique avec les déchets municipaux non triés : leur collecte séparée doit être effectuée.

L'abandon de ces équipements dans des aires non appropriées et non autorisées peut nuire gravement à l'environnement et à la santé.

Les transgresseurs s'exposent aux sanctions et aux dispositions prévues par la loi.

POUR METTRE CORRECTEMENT NOS EQUIPEMENTS AU REBUT, VOUS POUVEZ EFFECTUER L'UNE DES OPERATIONS SUIVANTES :

- a) Adressez-vous aux autorités locales, qui vous fourniront des indications et des informations pratiques sur la gestion correcte des déchets (emplacement et horaire des déchetteries, etc.).
- b) A l'achat d'un de nos équipements, remettez à notre revendeur un équipement usagé, analogue à celui acheté.

Le symbole du conteneur barré, indiqué sur l'équipement, a la signification suivante :



- Au terme de sa durée de vie, l'équipement doit être remis à un centre de collecte approprié, et doit être traité séparément des déchets municipaux non triés.
- Le producteur garantit l'activation des procédures de traitement, de collecte, de recyclage et de mise au rebut de l'équipement, conformément à la Directive 2002/96/CE (et modifications successives).

2. POUR LES AUTRES PAYS (NON UE)

Le traitement, la collecte, le recyclage et la mise au rebut des équipements électriques et électroniques doivent être effectués conformément à la loi en vigueur dans chaque pays.

DICHIARAZIONE CE DI CONFORMITA' del COSTRUTTORE secondo EN45014
MANUFACTURER'S CE DECLARATION of CONFORMITY according to EN 45014

OLIVETTI S.p.A. Via Jervis, 77 - 10015 IVREA (TO) - ITALY

Dichiara sotto la sua responsabilita' che il prodotto:

Declares under its sole responsibility that the product:

Categoria generale:	Apparecchiature per la Tecnologia dell' Informazione
<i>Equipment category:</i>	Information Technology Equipment
Tipo di apparecchiatura:	Copiatrice Laser digitale
<i>Product type:</i>	Digital Laser Copier
Nome / model:	d-Copia 300MF; d-Copia 400MF; d-Copia 500MF
Opzioni / options:	DF-720; DP-700; FAX System (M); JS-700

è CONFORME alla Direttiva 1999/5/CE del 9 marzo 1999
is in compliance with directive 99/5/EC dated 9th march 1999

e soddisfa i requisiti essenziali di **Compatibilità Elettromagnetica e di Sicurezza** previsti dalle Direttive:
and fulfills the essential requirements of Electromagnetic Compatibility and of Electrical Safety as prescribed by the Directives:

89/336/CEE del 3 maggio 1989 con successive modificazioni (Direttiva 92/31/CEE del 28 aprile 1992 e Direttiva 93/68/CEE del 22 luglio 1993);
89/336/EEC dated 3rd May 1989 with subsequent amendments (Directive 92/31/EEC dated 28th April 1992 and Directive 93/68/EEC dated 22nd July 1993);
73/23/CEE del 19 febbraio 1973 con successive modificazioni (Direttiva 93/68/CEE del 22 luglio 1993),
73/23/EEC dated 19th February 1973 with subsequent amendments (Directive 93/68/EEC dated 22nd July 1993),

in quanto progettato e costruito in conformità alle seguenti Norme Armonizzate:
since designed and manufactured in compliance with the following European Harmonized Standards:

EN 55022:1998 + A1 + A2 (Limits and methods of measurements of radio interference characteristics of Information Technology Equipment) / Class B;
EN 61000-3-2:2000 (Electromagnetic Compatibility (EMC) - Part 2 : Limits - Section 2 : Limits for harmonic current emissions (equipment input current ≤ 16 A per phase) / Class A
EN 61000-3-3:1995 + A1 (Electromagnetic Compatibility (EMC) - Part 3 : Limits - Section 3 : Limitation of voltage fluctuations and flicker in low voltage supply systems for equipment with rated current up to and including 16A);
EN 55024:1998 + A1 + A2 (Electromagnetic Compatibility – Information technology equipment – Immunity characteristics – Limits and methods of measurement);
EN 60950-1:2001 (Safety of Information Technology Equipment, including electrical business equipment).
EN 60825-1:1994 +A1:2002+A2:2001 (Radiation Safety of laser products, equipment classification, requirements ad user's guide).
ETSI TBR 21/1998 - Requirements for pan-European approval for connection to the analogue Public Switched Telephone Networks (PSTN) of TE (excluding TE supporting the voice telephony service) in which network addressing, if provided, is by means of Dual Tone Multi Frequency (DTMF) signaling.
EN300 330-1 V1.3.2
EN300 330-2 V1.1.1

La conformità ai suddetti requisiti essenziali viene attestata mediante l'apposizione della **Marcatura CE** sul prodotto.

Compliance with the above mentioned essential requirements is shown by affixing the CE marking on the product.

Ivrea, 14 Giugno 2006
 Ivrea, 14th June 2006



Giovanni Ferrario

Chief Executive Officer
 Amministratore Delegato

Olivetti S.p.A.

Note: 1) La Marcatura CE è stata apposta nel 2006

Notes: 1) CE Marking has been affixed in 2006

2) Il Sistema della Qualità è conforme alle norme serie UNI EN ISO 9000.

2) The Quality System is in compliance with the UNI EN ISO 9000 series of Standards