

## 7" Round Ceiling Fan

### MODEL: 8210 SERIES

#### IMPORTANT SAFETY INSTRUCTIONS

**WARNING: TO REDUCE THE RISK OF FIRE, ELECTRIC SHOCK, OR INJURY TO PERSONS, OBSERVE THE FOLLOWING:**

- A. Use this unit only in the manner intended by the manufacturer. If you have questions, contact the manufacturer.
- B. Before servicing or cleaning unit, switch power off at service panel and lock service panel to prevent power from being switched on accidentally. When the service disconnecting means cannot be locked, securely fasten a prominent warning device, such as a tag, to the service panel.

#### CAUTION:

For general ventilating use only. Do not use to exhaust hazardous or explosive materials and vapors.

#### INSTALLATION INSTRUCTIONS

**WARNING: TO REDUCE THE RISK OF FIRE, ELECTRIC SHOCK, OR INJURY TO PERSONS, OBSERVE THE FOLLOWING:**

- A. Installation work and electrical wiring must be done by qualified person(s) in accordance with all applicable codes and standards, including fire-rated construction.
- B. Sufficient air is needed for proper combustion and exhausting of gases through the flue (chimney) of fuel burning equipment to prevent back drafting. Follow the heating equipment manufacturer's guideline and safety standards such as those published by the National Fire Protection Association (NFPA), and the American Society for Heating, Refrigeration and Air Conditioning Engineers (ASHRAE), and the local code authorities.
- C. When cutting or drilling into wall or ceiling, do not damage electrical wiring and other hidden utilities.
- D. Ducted fans must always be vented to the outdoors.
- E. If this unit is to be installed over a tub or shower, it must be marked as appropriate for the application.
- F. NEVER place a switch where it can be reached from a tub or shower.

- Do not mount over tub or in shower stall enclosure.
- Suitable for use with solid-state speed control.
- CAUTION: To reduce risk of fire and to properly exhaust air, be certain the unit is ducted to the outside. Do not vent exhaust air into spaces within walls or ceiling or into attics, crawl spaces or garages.

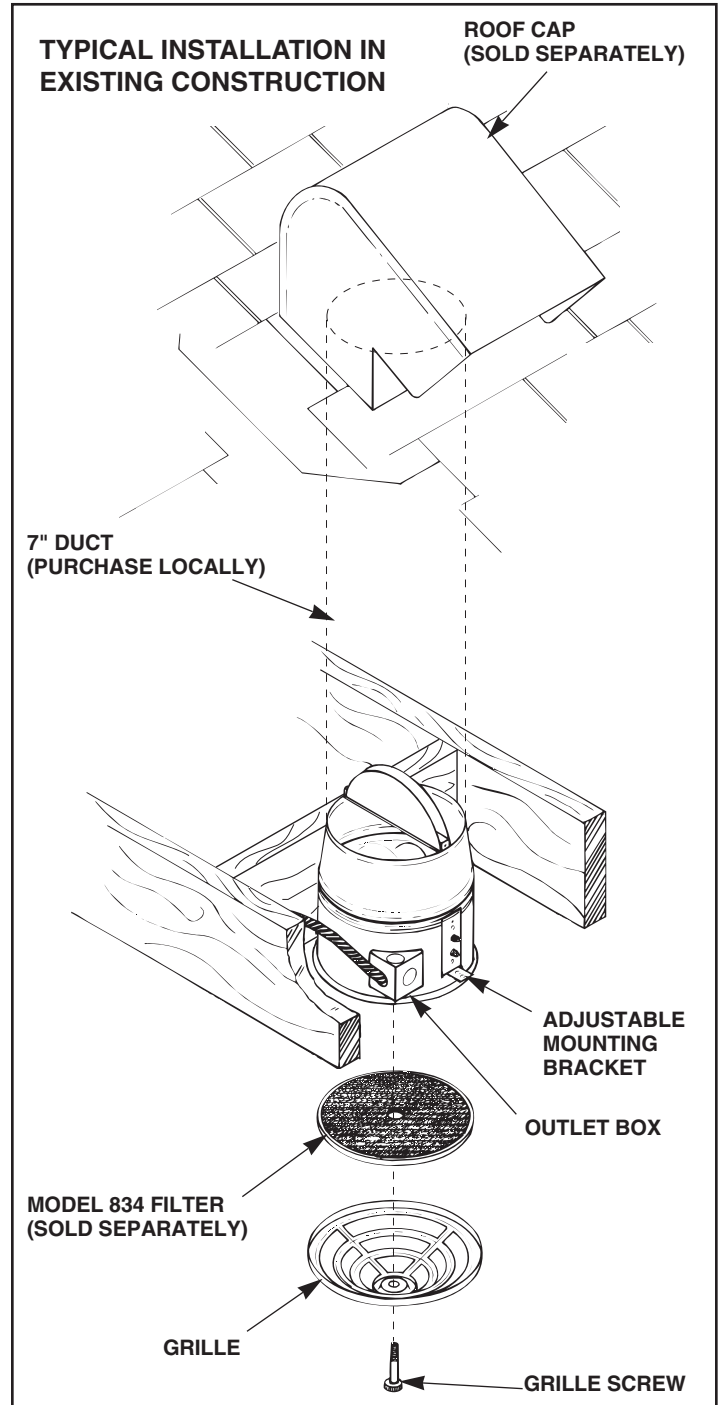
- WARNING: Disconnect power before servicing.

#### INSTALLATION IN EXISTING CONSTRUCTION

##### PREPARING THE INSTALLATION SITE

**IMPORTANT: 18" minimum clearance space above ceiling is required.**

1. Cut 8 $\frac{1}{8}$ " diameter opening in ceiling adjacent to ceiling joist. Install header so that housing can be supported on two sides.



If opening cannot be located adjacent to joist, install two headers for proper housing support.

2. Disconnect power at circuit breaker. Run house wiring (with ground) from wall switch to fan location.

**IMPORTANT:** Be certain all wiring complies with electrical codes and the unit is properly grounded.

## MOUNTING THE HOUSING

**NOTE: The mounting brackets and hanger bars included with the unit will not be used for installation in existing construction.**

1. Remove grille screw, motor bracket assembly and outlet box from the unit.
2. Remove tape from louvers and be certain both damper sections operate freely.
3. Position housing into the cutout. Feed house wiring through the outlet box opening.

**NOTE:** The housing must be positioned so that the joist or header will not interfere with installation of the outlet box.

4. Using screws or nails, secure the housing to the joist/header(s) through the keyhole slots provided in sides of housing. Be certain plaster flange is against finished ceiling.
5. Connect 7" ductwork.

## MAKING THE CONNECTIONS

1. Remove one of the two side knockouts from the outlet box. Install 7/8" box connector (not supplied). Insert house wiring approximately six inches through box connector and tighten screws to secure. Using wire nuts (not supplied) connect house wiring to receptacle in outlet box cover: black to black and white to white. Secure ground (bare wire) under green ground screw in outlet box.
2. Install outlet box in opening in housing and secure with two short screws provided. Feed all wiring into outlet box and secure cover.

## INSTALLATION IN NEW CONSTRUCTION

### MOUNTING THE HOUSING

1. Remove grille screw and motor bracket assembly from unit.  
**NOTE:** These pieces can be set aside until the finished ceiling is in place.
2. Insert outlet box into housing and secure with two short screws (supplied).

3. Remove appropriate knockout from outlet box and install a box connector.
4. Insert mounting brackets into slots in fan housing.
5. Remove tape from louvers and be certain both damper sections operate freely.
6. Place hanger bars into mounting brackets. Nail hanger bars to joist, adjusting slightly so housing will be held firmly in place. Raise or lower mounting brackets to adjust housing so plaster flange will fit flush to finished ceiling.
7. Connect 7" ductwork.

## MAKING THE CONNECTIONS

**IMPORTANT: Be certain all wiring complies with electrical codes and the unit is properly grounded. Disconnect power at circuit breaker.**

1. Run house wiring (with ground) THROUGH BOX CONNECTOR. Using wire nuts (not supplied) connect house wiring to fan: black to black, white to white. Connect ground wire to green ground screw.
2. Secure junction box cover.

## COMPLETING THE INSTALLATION

1. Mount Motor/Blade assembly into housing with plug towards receptacle. Hook keyhole slots in motor mounting bracket over two (2) mounting screws. Tighten screws and plug motor into receptacle. Be certain fan blade spins freely.
2. Place grille over unit and secure with supplied thumbscrew.
3. Re-connect power and check for proper operation.  
**NOTE: An optional washable, permanent filter may be used with this fan. If desired, order NuTone Model 834 separately.**

## MAINTENANCE

- Grille should be cleaned with a mild soap and water solution.
- If the optional filter is used, it may be removed and cleaned in sudsy water. Rinse thoroughly and allow to dry completely before placing into Ceiling Fan. For best results, clean filter frequently.

# NuTone®

## One Year Limited Warranty

**WARRANTY OWNER:** NuTone warrants to the original consumer purchaser of its products that such products will be free from defects in materials or workmanship for a period of one (1) year from the date of original purchase. **THERE ARE NO OTHER WARRANTIES, EXPRESS OR IMPLIED, INCLUDING, BUT NOT LIMITED TO, IMPLIED WARRANTIES OF MERCHANTABILITY OR FITNESS FOR A PARTICULAR PURPOSE.**

During this one year period, NuTone will, at its option, repair or replace, without charge, any product or part which is found to be defective under normal use and service. THIS WARRANTY DOES NOT EXTEND TO FLUORESCENT LAMP STARTERS OR TUBES, FILTERS, DUCT, ROOF CAPS, WALL CAPS AND OTHER ACCESSORIES FOR DUCTING. This warranty does not cover (a) normal maintenance and service or (b) any products or parts which have been subject to misuse, negligence, accident, improper maintenance or repair (other than by NuTone), faulty installation or installation contrary to recommended installation instructions.

The duration of any implied warranty is limited to the one year period as specified for the express warranty. Some states do not allow limitation on how long an implied warranty lasts, so the above limitation may not apply to you.

**NUTONE'S OBLIGATION TO REPAIR OR REPLACE, AT NUTONE'S OPTION, SHALL BE THE PURCHASER'S SOLE AND EXCLUSIVE REMEDY UNDER THIS WARRANTY. NUTONE SHALL NOT BE LIABLE FOR INCIDENTAL, CONSEQUENTIAL OR SPECIAL DAMAGES ARISING OUT OF OR IN CONNECTION WITH PRODUCT USE OR PERFORMANCE.** Some states do not allow the exclusion or limitation of incidental or consequential damages, so the above limitation or exclusion may not apply to you. This warranty gives you specific legal rights, and you may also have other rights, which vary from state to state. This warranty supersedes all prior warranties.

**WARRANTY SERVICE:** To qualify for warranty service, you must (a) notify NuTone at the address stated below or telephone 1/800-543-8687, (b) give the model number and part identification and (c) describe the nature of any defect in the product or part. At the time of requesting warranty service, you must present evidence of the original purchase date.

Date of Installation

Builder or Installer

Model No. and Product Description

### IF YOU NEED ASSISTANCE OR SERVICE:

For the location of your nearest NuTone Independent Authorized Service Center:

**Residents of the contiguous United States** Dial Free 1-800-543-8687

Please be prepared to provide:

Product model number • Date and Proof of purchase • The nature of the difficulty

**Residents of Alaska or Hawaii should write to:** NuTone Inc. Attn: Department of National Field Service, 4820 Red Bank Road, Cincinnati Ohio 45227-1599.

**Residents of Canada should write to:** Broan-NuTone Canada, 1140 Tristar Drive, Mississauga, Ontario, Canada L5T 1H9.

Rev. 03/2001

Product specifications subject to change without notice.  
4820 Red Bank Road, Cincinnati, Ohio 45227  
Printed in U.S.A., Rev. 5/2001, Part No. 17658