



BLACK NICKEL 3" AIR CUTOFF TOOL

OWNER'S MANUAL



WARNING:

Read carefully and understand all **INSTRUCTIONS** before operating. Failure to follow the safety rules and other basic safety precautions may result in serious personal injury.

Item #120208

For technical questions and replacement parts, please call 1-800-222-5381.

Thank you very much for choosing a NORTHERN TOOL + EQUIPMENT CO., Inc. Product! For future reference, please complete the owner's record below:

Model: _____ Purchase Date: _____

Save the receipt, warranty and these instructions. It is important that you read the entire manual to become familiar with this product before you begin using it.

This machine is designed for certain applications only. Northern Tool + Equipment strongly recommends that this machine is not modified and/or used for any application other than that for which it was designed. If you have any questions relative to a particular application, DO NOT use the machine until you have first contacted Northern Tool + Equipment to determine if it can or should be performed on the product.

Before using this product, please read the following instructions carefully.

Technical Specifications

Item	Description
Free Speed	20,000 RPM
Air Consumption	4 CFM
Air Inlet Diameter	1/4"- 18NPT
Min. Hose Size	3/8"
Max. Air Pressure	90 PSI
Accessories	Hex Wrench, key, wheel Nut
Cutting Wheel	Not included

SAVE THIS MANUAL

You will need this manual for the safety warnings and precautions, assembly, operating, inspection, maintenance and cleaning procedures, parts list and assembly diagram. Keep this manual and invoice in a safe and dry place for future reference.

WARNING!

Some dust created by power sanding, sawing, grinding and other construction activities contains chemicals known to cause cancer, birth defects, or other reproductive harm. Some examples of these chemicals are:

- Lead from lead-based paints
- Crystalline silica from bricks, cement and other masonry products
- Arsenic and chromium from chemically treated lumber

Your risk from these exposures varies, depending now how often you do this type of work. To reduce your exposure to these chemicals: work in a well-ventilated area, and use approved personal protective equipment, such as dust masks that are specially designed to filter out microscopic particles.

WARNINGS AND SAFETY RULES

1. **Wear proper clothing.** Always use ANSI-approved safety impact goggles when assembling or using this cutoff tool. Wear long sleeved shirts, long pants and hard-toed shoes. Take off any loose fitting jewelry and keep long hair covered to prevent being caught in moving parts.
2. **Wear proper breathing protection.** Remember that a “dust mask” is not a breathing respirator. Use a respirator that uses charcoal filters for the best protection.
3. **Keep work area clean and well lighted.** A dim and/or cluttered work area invites personal injury.
4. **Keep children and pets away from work areas.** Children can be a distraction and should be supervised by an adult when near the work area. Never allow children to play with this product even if it is turned off.
5. **Store idle tools properly.** Keep this cutoff tool out of the reach of children and untrained operators.
6. **Do not use the cutoff tool if under the influence of alcohol or prescription drugs.** Doing so may cause damage to the tool, or personal injury. Do not use this or any tool if you are tired. Use common sense at all times.
7. **Check for damaged parts.** Before using this cutoff tool, carefully check for any parts that may be missing or damaged and any other conditions that may affect the operation of this tool. Replace or repair damaged and worn parts immediately using only qualified repair facility.
8. **Always use the proper tools.** This cutoff tool was designed for a specific task. Do not alter this tool, or use it for a purpose for which it was not intended.
9. **Be careful when connecting/disconnecting air supply.** It is recommended to use quick-disconnects (not included) rather than screw-on air connections.
10. **Use compressed air only.** Clean, dry regulated compressed air at 90 PSI. Never use oxygen, carbon dioxide, combustible gases, or any other bottled gas as a power source for this tool.
11. **Always disconnect air supply when this tool is not being used.**
12. **Take caution as some woods contain preservatives such as copper chromium arsenate (CCA) which can be toxic.** When cutting these materials, extra care should be taken to avoid inhalation and minimize skin contact.
13. **3" Cutting wheel:** Only use a standard 3" cutting disc (rated at 18,000 RPM or greater) with this air high speed cutter. Never use any other type of disc, blade or cutter on this air tool. This may cause the tool to operate incorrectly.

NOTE: The warnings, cautions, and instructions discussed in this instruction manual cannot cover all possible conditions and situations that may occur. It must be understood by the operator that common sense and caution are factors that cannot be built into this product but must be supplied by the operator.

NOTE: READ ALL INSTRUCTIONS BEFORE USING THIS PRODUCT

SET UP

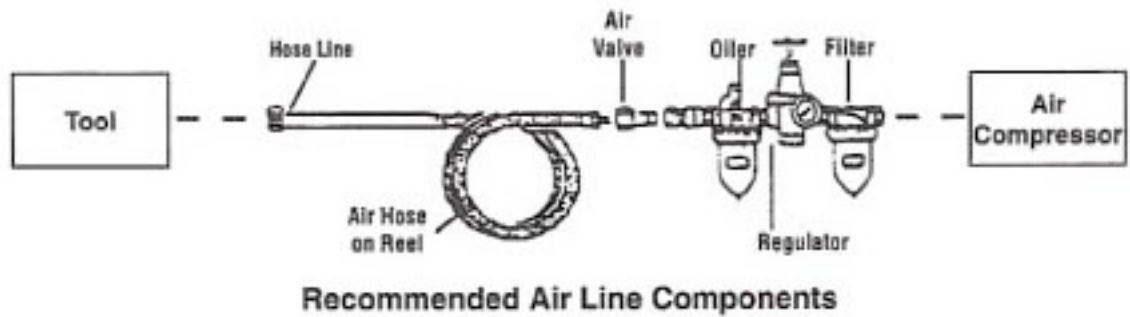


Fig. 1

NOTE: If you are not using an automatic oiler system, before operation, add a few drops of Pneumatic Tool Oil to the airline connection. Add a few drops more after hour of continual use.

1. You will need to prepare a 1/4" air connector (not included) to connect to the air inlet on the cutoff tool. First, wrap the 1/4" air connector with pipe thread seal tape (not included) before threading it into the inlet. Connect the 3/8" ID air source hose (not included) to a quick-disconnect coupler (not included) and then to the cutoff tool.
2. Set the air pressure on your compressor to 90 PSI. Do not exceed the recommended air pressure of 90 PSI.
3. Check the air connection for leaks.
4. Disconnect from the air hose until next instructed to reconnect.

ASSEMBLY


The only assembly required is the mounting of a cutting wheel.


!WARNING! The cutter must be disconnected from the air supply when changing the cutting wheel. After disconnecting the air supply, squeeze the trigger to make sure no air remains in the unit.

1. Place a wrench on the flats of the spindle to hold it in place.
2. Using the key, loosen and remove the locking nut and the washer.
3. Remove and replace the cutting wheel (not included).
4. Replace the locking nut and the washer. Tighten the locking nut while holding the spindle in place with a wrench.

OPERATION


!WARNING! Always check the cutting wheel for possible wear. Do not use a worn, torn, or defective cutting wheel.

 **WARNING!** Position the high speed cutoff tool so that the attached guard is in position between you and the workpiece to protect you from flying debris.

 **WARNING!** Guard must always be attached to high speed cutoff tool.

1. Check the cutting wheel for wear. Replace if necessary.
2. Set the compressor to 90 PSI. Do not exceed 90 PSI.
3. Connect the cutoff tool to the air hose as explained.
4. Using both hands to grip the cutoff tool, gently squeeze down on the trigger. Allow the tool to run for a few seconds before approaching the workpiece.
5. Let the cutoff tool do the work. Do not apply force on the workpiece.
6. When finished, release the trigger.
7. Disconnect the air hose.
8. Gently squeeze down on the trigger to release any air that might still remain in the tool.

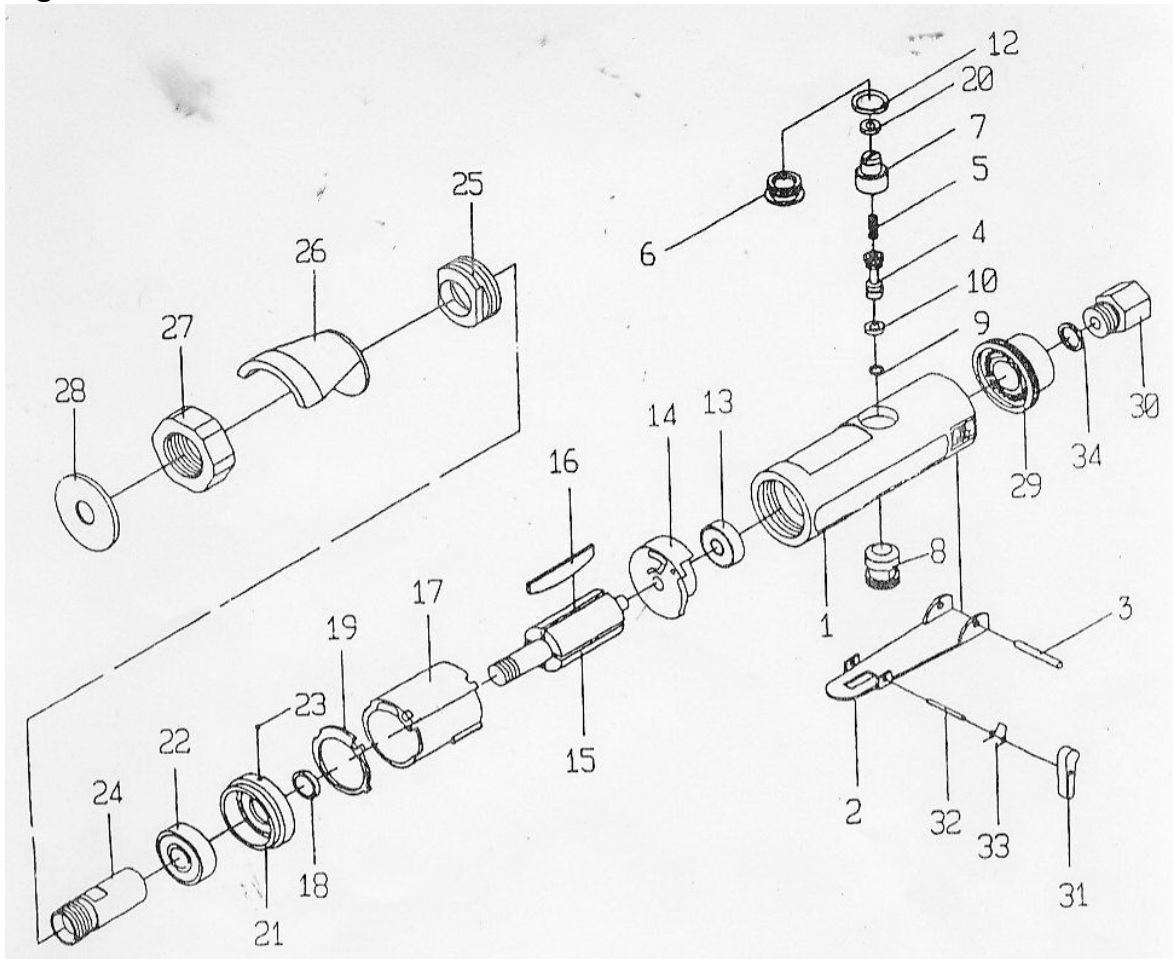
MAINTENANCE

 **WARNING!** Always disconnect the air supply before attempting any maintenance.

After disconnecting the air supply, squeeze the trigger to make sure no air remains in the unit.

1. After each use, wipe down the cutoff tool with a lint-free cloth. Do not use solvents or harsh detergents to clean the tool.
2. Make sure the air inlet is clean of dirt, grease, or debris.
3. Check the condition of the cutting wheel before each use. Replace if necessary.

Diagram



Parts List

Part No.	Description	Qty.	Part No.	Description	Qty.
1	Housing	1	18	Washer	1
2	Trigger (Includes #2, 31, 32, 33)	1	19	Washer	1
3	Pin	1	20	O-ring	1
4	Valve Stem	1	21	Front Plate	1
5	Spring	1	22	Bearing	2
6	Valve Plug	1	23	Ball	1
7	Air Regulator	1	24	Spindle	1
8	Valve Bushing	1	25	Retainer	1
9	O-ring	1	26	Guard	1
10	O-ring	1	27	Nut	1
11	O-ring	1	28	Cutting Wheel	1
12	O-ring	1	29	Muffle	1
13	Bearing	1	30	Air Inlet	1
14	End Plate	1	31	Lever	1
15	Rotor	1	32	Pin	1
16	Rotor Blade	4	33	Spring	1
17	Cylinder	1	34	Washer	1



Northern Tool + Equipment Co.,
2800 Southcross Drive West
P.O. Box 1499 Burnsville, MN 5337-0499
Made in China